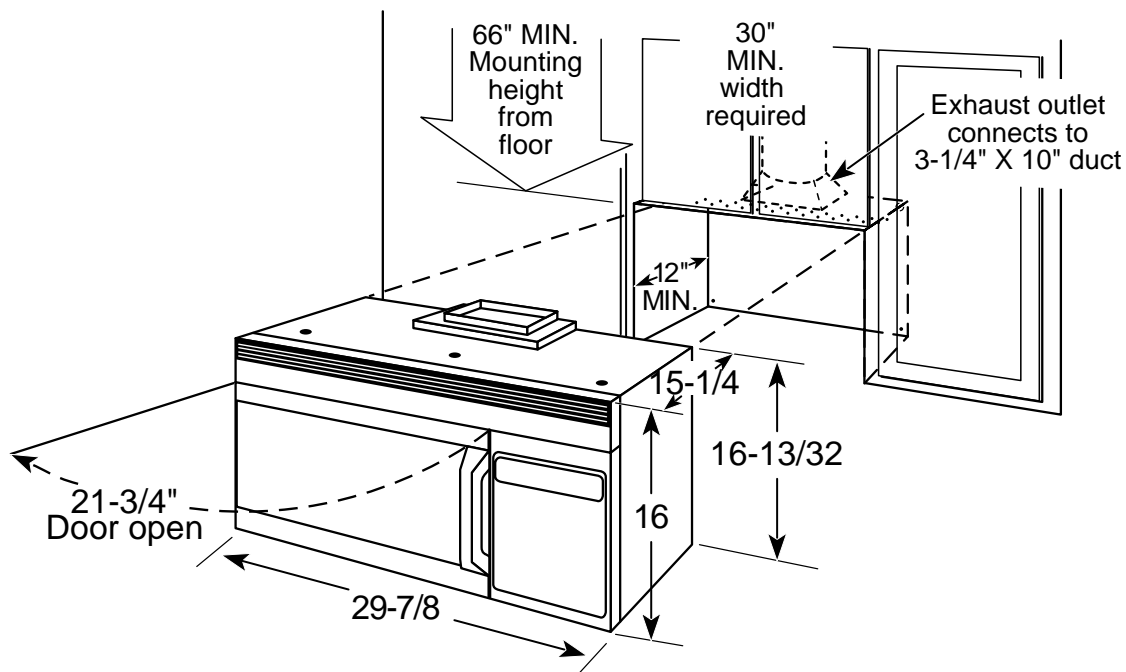




GE Appliances

## JVM1650BH/CH/SH/WH – GE Spacemaker® Over-the-Range Microwave Oven

Dimensions (in inches)



**Note:** Requires 120V grounded outlet. Electrical receptacle must be located in cabinet above Spacemaker microwave oven. No additional wiring, venting or cabinet rebuilding necessary in many cases. Complete detailed, easy-to-follow installation instructions and convenient full-size templates are packed with the Spacemaker microwave oven.

**Important Information:** When installing the Spacemaker microwave oven over a range, allow minimum of 2" from bottom of Spacemaker microwave oven to top of range backguard to allow for removal of light covers.

**Ventilation Options:** The Spacemaker microwave ovens are designed for adaptation to the following three types of ventilation:

- Outside exhaust (vertical – as shown)
- Outside exhaust (horizontal)
- Recirculating (non-vented ductless – see Filter Kit drawing)

**Installation Information:** This information is not intended to be used for installing unit described. Before installing, consult installation instructions packed with product/kit for current dimensional data.



Listed by  
Underwriters  
Laboratories

For answers to your Monogram®, GE Profile™ or GE® appliance questions, visit our website at [GEAppliances.com](http://GEAppliances.com) or call GE Answer Center® service, 800.626.2000.

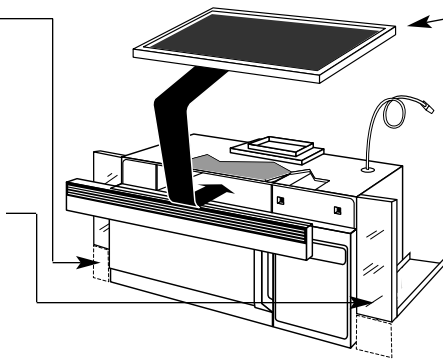


# JVM1650BH/CH/SH/WH – GE Spacemaker® Over-the-Range Microwave Oven

## Optional Accessories (Available at additional cost)

### Filler Panel Kits JX48BL–Black JX48WH–White

When replacing a 36" or 42" range hood, this kit fills in the additional width to provide a custom built-in appearance. For installation between cabinets only; not for end-of-cabinet installation. Each kit contains two 3"-wide filler panels.



### Filter Kits JX81A–Recirculating Charcoal Filter Kit

To be used when the Spacemaker microwave oven cannot be vented to the outside.

**HOOD EXHAUST DUCT:** Outside ventilation requires a HOOD EXHAUST DUCT. Read the following carefully.

**EXHAUST CONNECTION:** The hood exhaust has been designed to mate with a standard 3-1/4" x 10" rectangular duct. If a round duct is required, a rectangular-to-round transition adaptor must be used. Do not use less than a 6" diameter duct

**REAR EXHAUST:** If a rear or horizontal exhaust is to be used, care should be taken to align exhaust with space between studs, or wall should be prepared at the time it is constructed by leaving enough space between the wall studs to accommodate exhaust.

**MAXIMUM DUCT LENGTH:** For satisfactory air movement, the total duct length of 3-1/4" x 10" rectangular or 6" diameter round duct should not exceed 140 equivalent feet.

**ELBOWS, TRANSITIONS, WALL AND ROOF CAPS,** etc., present additional resistance to airflow and are equivalent to a section of straight duct which is longer than their actual physical size. When calculating the total duct length, add the equivalent length of all transitions and adaptors plus the lengths of all straight duct sections. The chart below shows the approximate feet of equivalent length of some typical ducts.

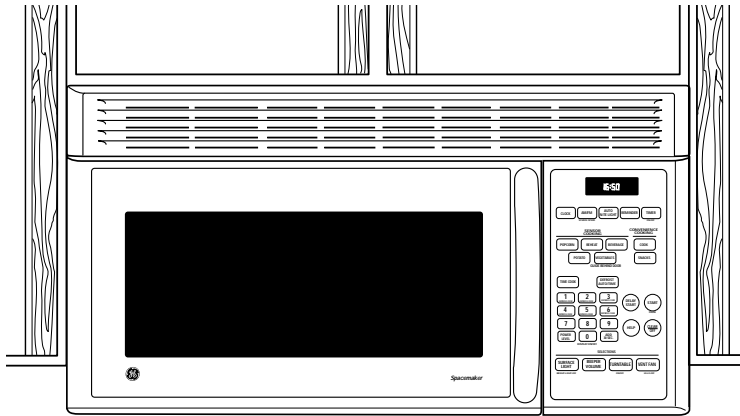
Duct	Equivalent Feet
A. Rectangular-To-round Transition Adaptor	5 ft.
B. Wall Cap	40 ft.
C. 90° Elbow	10 ft.
D. 45° Elbow	5 ft.
E. 90° Elbow	25 ft.
F. 45° Elbow	5 ft.
G. Roof Cap	24 ft.





GE Appliances

## JVM1650BH/CH/SH/WH – GE Spacemaker® Over-the-Range Microwave Oven



### Features and Benefits

- 1.6 cu. ft. capacity – 1000 Watts (IEC-705 test procedure)
- Sensor cooking controls – Automatically adjust the time and power for perfect cooking results.
- Convenience cooking controls – Allows cooking and reheating at the touch of a button.
- Auto/Time Defrost – Automatically defrosts for a specified amount of time.
- Oven rack with two positions – Increases cooking flexibility and space.
- Turntable On/Off – Ideal for oversized, oblong-shaped dishes.
- Three-speed, 300-CFM vortex venting system – Quickly removes smoke and steam from the cooktop.
- Model JVM1650BH – Black on black
- Model JVM1650CH – Bisque on bisque
- Model JVM1650SH – Stainless steel
- Model JVM1650WH – White on white