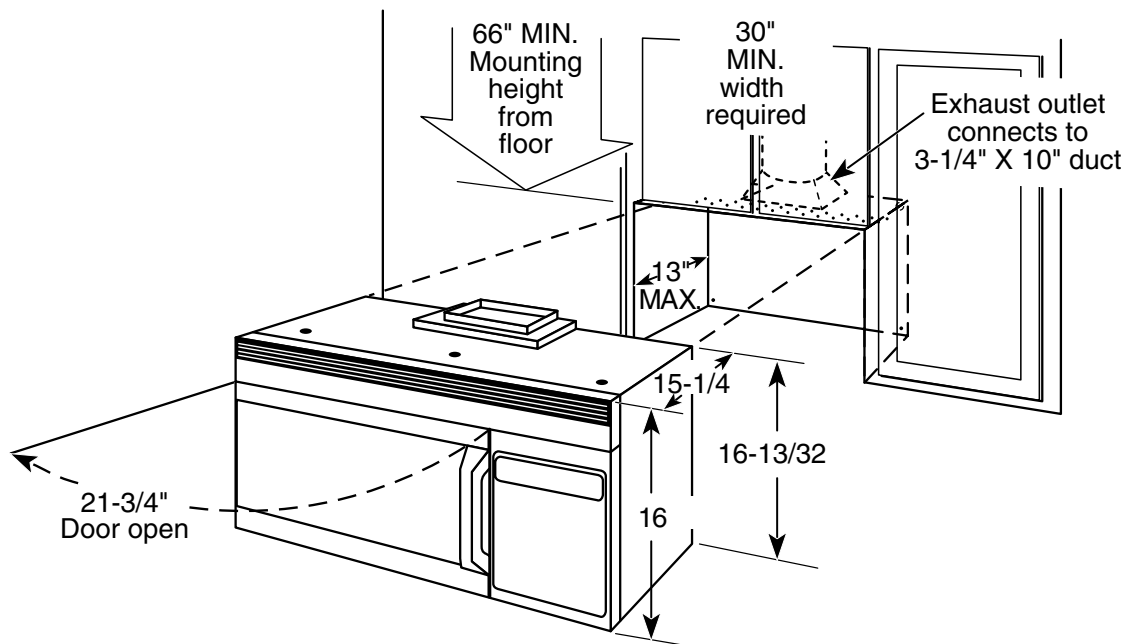




GE Appliances

JVM1440BH/CK/LK/SH/WH – GE Spacemaker® 1.4 Cu. Ft. Capacity Over-the-Range Microwave

Dimensions (in inches)



Note: Requires 120V grounded outlet. Electrical receptacle must be located in cabinet above Spacemaker microwave oven. No additional wiring, venting or cabinet rebuilding necessary in many cases. Complete detailed, easy-to-follow installation instructions and convenient full-size templates are packed with the Spacemaker microwave oven.

Important Information: When installing the Spacemaker microwave oven over a range, allow minimum of 2" from bottom of Spacemaker microwave oven to top of range backguard to allow for removal of light covers.

Ventilation Options: The Spacemaker microwave ovens are designed for adaptation to the following three types of ventilation:

- Outside exhaust (vertical – as shown)
- Outside exhaust (horizontal)
- Recirculating (non-vented ductless – see Filter Kit drawing)

Installation Information: This information is not intended to be used for installing unit described. Before installing, consult installation instructions packed with product/kit for current dimensional data.



For answers to your Monogram,® GE Profile™ or GE® appliance questions, visit our website at GEAppliances.com or call GE Answer Center® service, 800.626.2000.



JVM1440BH/CK/LK/SH/WH – GE Spacemaker® 1.4 Cu. Ft. Capacity Over-the-Range Microwave

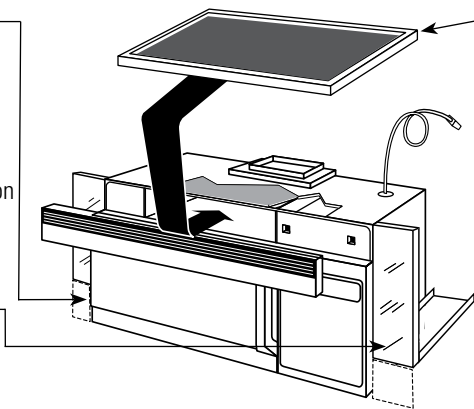
Optional Accessories (Available at additional cost)

Filler Panel kits

JX46BL

When replacing a 36" range hood, this kit fills in the additional width to provide a custom built-in appearance. For installation between cabinets only; not for end-of-cabinet installation.

Each kit contains two 3"-wide filler panels.



Filter kits

JX81A–Recirculating Charcoal Filter kit

To be used when the Spacemaker microwave oven cannot be vented to the outside.

HOOD EXHAUST DUCT: Outside ventilation requires a HOOD EXHAUST DUCT. Read the following carefully.

EXHAUST CONNECTION: The hood exhaust has been designed to mate with a standard 3-1/4" x 10" rectangular duct. If a round duct is required, a rectangular-to-round transition adaptor must be used. Do not use less than a 6" diameter duct

REAR EXHAUST: If a rear or horizontal exhaust is to be used, care should be taken to align exhaust with space between studs, or wall should be prepared at the time it is constructed by leaving enough space between the wall studs to accommodate exhaust.

MAXIMUM DUCT LENGTH: For satisfactory air movement, the total duct length of 3-1/4" x 10" rectangular or 6" diameter round duct should not exceed 140 equivalent feet.

ELBOWS, TRANSITIONS, WALL AND ROOF CAPS, etc., present additional resistance to airflow and are equivalent to a section of straight duct which is longer than their actual physical size. When calculating the total duct length, add the equivalent length of all transitions and adaptors plus the lengths of all straight duct sections. The chart below shows the approximate feet of equivalent length of some typical ducts.

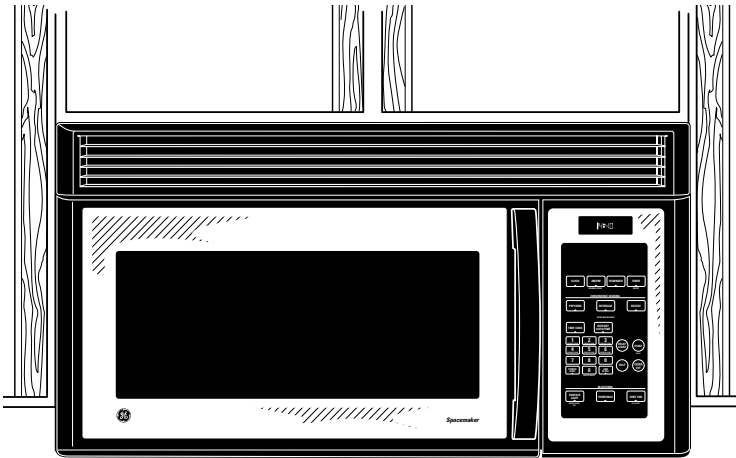
Duct	Equivalent Feet
A. Rectangular-To-round Transition Adaptor	5 ft.
B. Wall Cap	40 ft.
C. 90° Elbow	10 ft.
D. 45° Elbow	5 ft.
E. 90° Elbow	25 ft.
F. 45° Elbow	5 ft.
G. Roof Cap	24 ft.





GE Appliances

JVM1440BH/CK/LK/SH/WH – GE Spacemaker® 1.4 Cu. Ft. Capacity Over-the-Range Microwave



Features and Benefits

- 1.4 Cu. Ft. Capacity/950 Watts*
- 1.4 cu. ft. Capacity - 950 watts (IEC-705 test procedure)
- Convenience Cooking Controls - Allow cooking and reheating at the touch of a button
- Auto and Time Defrost - Automatically defrosts for a specified amount of time
- Turntable On/Off - Ideal for oversized, oblong-shaped dishes
- 10 Power Levels - Offer maximum cooking flexibility, from warming and reheating, to the full speed of microwave cooking at high power
- Removable Oven Rack - Makes multi-dish cooking possible
- Convenience Controls - Allow cooking and reheating at the touch of a button
- Two-Speed, 300-CFM Venting System - Quickly removes smoke and steam from the cooktop
- Model JVM1440BH
- Model JVM1440CK
- Model JVM1440LK
- Model JVM1440SH
- Model JVM1440WH

*IEC-705 Test Procedure