

# JKP90SM

## GE® 27" Built-In Double Microwave/Thermal Wall Oven

### Dimensions and Installation Information (in inches)

KW Rating	
240V	6.4
208V	4.8
Breaker Size	
240V	30 Amps
208V	30 Amps

**Note:** Cabinets installed adjacent to wall ovens must have an adhesion spec of at least a 194°F temperature rating.

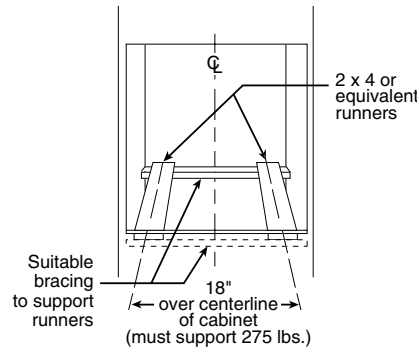
**Note:** if marks, blemishes or the cutout opening is visible above the installed oven, it may be necessary to add wood shims under the runners and front trim until the marks or openings are covered.

**Note:** Door handle protrudes 3" from door face. Cabinets and drawers on adjacent 45° and 90° walls should be placed to avoid interference with the handle.

**Electric wall ovens are not approved for installation with a plug and receptacle. They must be hard wired in accordance with installation instructions.**

**Installation Information:** Before installing, consult installation instructions packed with product for current dimensional data.

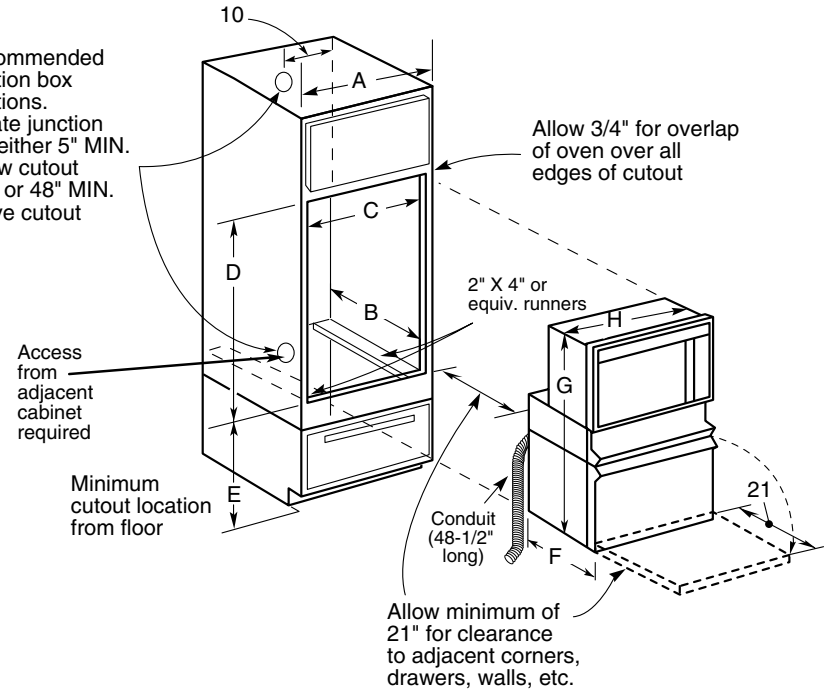
For answers to your Monogram®, GE Profile™ or GE® appliance questions, visit our website at [ge.com](http://ge.com) or call GE Answer Center® service, 800.626.2000.



Cabinet	27"
A - Cabinet width required	27" min.
B - Minimum cabinet depth	23-5/8"
C - Opening width	25" min. - 25-1/4" max
D - Opening height	41-1/4" max
E - Minimum cutout location from floor	22"
Oven	
F - Overall depth*	23-5/8"
G - Overall height with trim	43" - 43-7/8"
Overall height without trim	42-1/8"
H - Overall width	26-5/8"

\*Depth including door handle is approximately 26-7/10" min. to 26-8/10" max.

Recommended junction box locations. Locate junction box either 5" MIN. below cutout floor or 48" MIN. above cutout floor



All GE ranges are equipped with an Anti-Tip device. The installation of this device is an important, required step in the installation of the range.



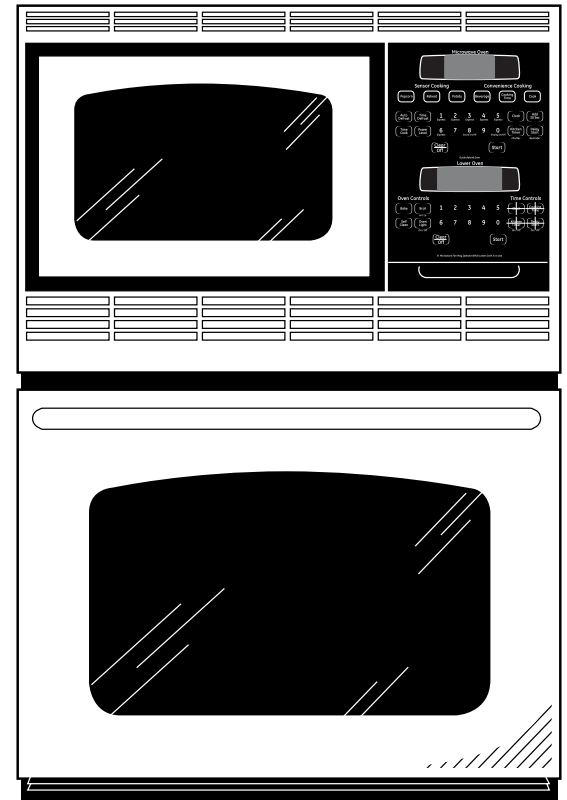
Listed by Underwriters Laboratories

# JKP90SM

## GE® 27" Built-In Double Microwave/Thermal Wall Oven

### Features and Benefits

- Self Clean Oven - Conveniently cleans the oven cavity without need of scrubbing
- Extra-Large Oven Capacity - Provides a large oven interior ideal for cooking more items at once
- Electronic Oven Controls - One-touch electronic pads are easy-to-use and allow for simple oven operation
- TrueTemp™ System - Delivers even heat distribution and maximum oven control
- 1.6 Cu. Ft. Capacity (Upper Oven Only) - Provides a large interior to accommodate a variety of cookware, dinnerware and food containers
- Sensor Cooking Control (Upper Oven Only) - Provides a built-in sensor in the upper microwave that automatically calculates and adjusts cooking times and power levels for your favorite foods
- Turntable (Upper Oven Only) - Steadily rotates your food and ensures even cooking with no cold spots
- Hidden Bake Oven Interior - Hides previously exposed bottom element to deliver a clean interior appearance
- Six-Pass Bake Element - A powerful, continuous heating element that loops throughout the oven, delivering evenly cooked foods
- Model JKP90SMSS - Stainless steel



imagination at work