

FRIGIDAIRE

GALLERY



Microwaves

FGBM185K F/W/B

Over-The-Range



Performance-Driven Style

- Real Stainless Steel
- Sensor Cooking
- 9 Auto Cook Options
- 7 User Preference Options
- Bottom Controls
- 1,000 Watts
- 2-Speed Hidden Vent (350/150 CFM)¹

More Easy-To-Use Features

- Keep Warm Setting
- Auto-Start Heat Sensor
- 2-Level Light (Hi/Low)
- 14" Glass Turntable

One-Touch Options

- Add-30-Seconds
- Chicken Nuggets
- Pizza Slice
- Baked Potato
- Beverage

Capacity

1.8 Cu. Ft. Capacity

Overall Exterior Dimensions

Height	17-1/16"
Width	29-15/16"
Depth	16-3/8"

Available in:



¹Microwave is capable of being used with high-performance cooktops up to 56,000 total BTU output.

Signature Features



Effortless™ Reheat

Reheat almost anything at the touch of a button.



SpaceWise™ Rack

Our SpaceWise™ Rack creates more room so you can cook two dishes at once.



Over 40 Options

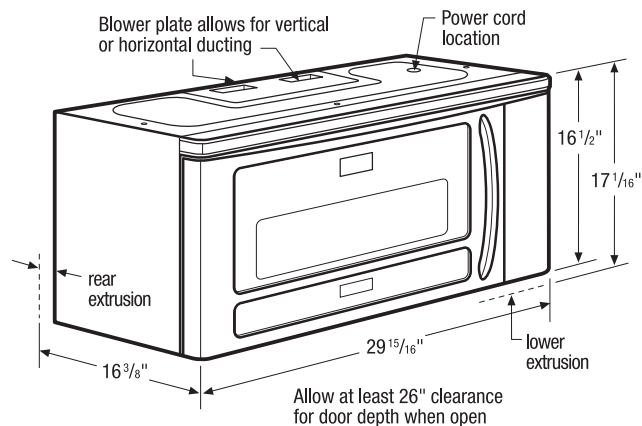
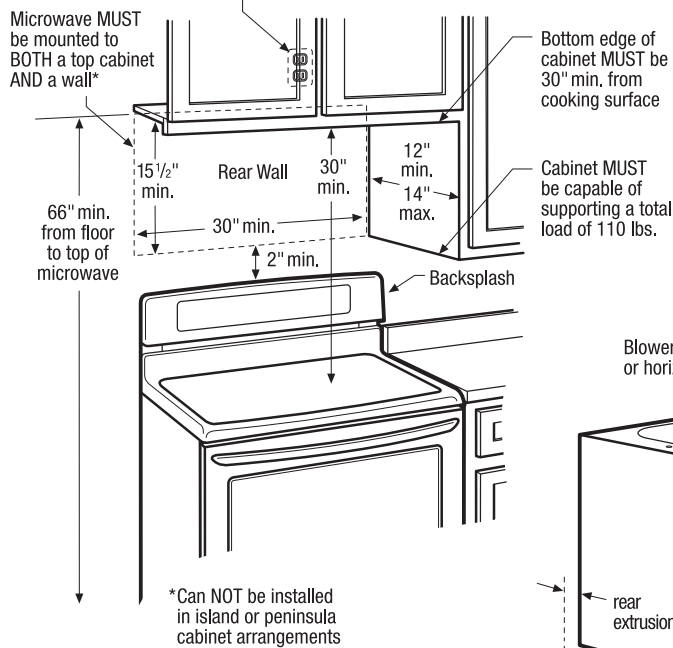
Versatile settings include: chicken nuggets, soften ice cream, melt butter and multiple snack options.



One-Touch Options

Our microwaves feature easy-to-use one-touch buttons so you can cook chicken nuggets, baked potatoes or popcorn with the touch of a button.

Locate 120V/60Hz grounded outlet inside upper cabinet



Microwave Specifications

- Product Shipping Weight (approx.) - 70 Lbs.
- Voltage Rating - 120V/60 Hz/15 Amps
- Connected Load (kW Rating) @ 120 Volts = 1.65kW (For use on adequately wired 120V, dedicated circuit having 2-wire service with a separate ground wire. Appliance must be grounded for safe operation.)
- Amps @ 120 Volts = 14.3 Amps
- Always consult local and national electric codes.
- Grounded outlet should be located in cabinet above, with hole in base to route power cord. Carefully follow top template instructions for power cord clearance when installing beneath smooth, flat cabinets.
- Microwave's exhaust ventilation system is preset to recirculate air inside with no ducting system required. Exhausting air outside is optional, using either vertical or horizontal ducting system. (Refer to Ducted Option Specifications for outside ventilation.)
- For safe and proper installation, microwave MUST be mounted to BOTH a top cabinet AND a wall, and connected to at least one wall stud. Can NOT be installed in island or peninsula cabinet arrangements.
- Cabinet bottom MUST be level to insure proper installation.
- Cabinet MUST be capable of supporting a total load of 110 lbs.
- Filler blocks recommended for installation when cabinet front hangs below recessed bottom shelf.
- Minimum distance of 30" required from cooking surface to bottom edge of top cabinet.
- Minimum distance of 66" required from floor to top of microwave.
- Opening between cabinets MUST be 30" wide and free of obstructions. For openings up to 36" wide, order optional 36" Filler Panel Kit to fill in gap between unit and cabinets.
- Allow 26" minimum clearance for 90° door swing.

Ducted Option Specifications

- For outside ventilation.
- Exhaust duct adapter will be needed for outside ventilation, to mate with standard 3-1/4" x 10" rectangular duct. If round duct required, rectangular-to-round transition adapter will be needed with no less than 6" diameter.
- For most efficient airflow exhaust, use a straight run or as few elbows as possible with a maximum duct length of 3-1/4" x 10" rectangular or 6" diameter round duct, not to exceed 140 equivalent feet.
- For horizontal installation, be sure to allow enough space between wall studs to accommodate exhaust.
- Refer to installation instructions on web for detailed duct preparation and converting exhaust vent blower system for exterior exhaust ventilation.

Note: For planning purposes only. Refer to Product Installation Guide on the web at frigidaire.com for detailed instructions.

Optional Accessories

- 36" Stainless Steel Filler Panel Kit - (PN# MWFILKTSS).
- 36" White Filler Panel Kit - (PN# MWFILKTWH).
- 36" Black Filler Panel Kit - (PN# MWFILKTBK).