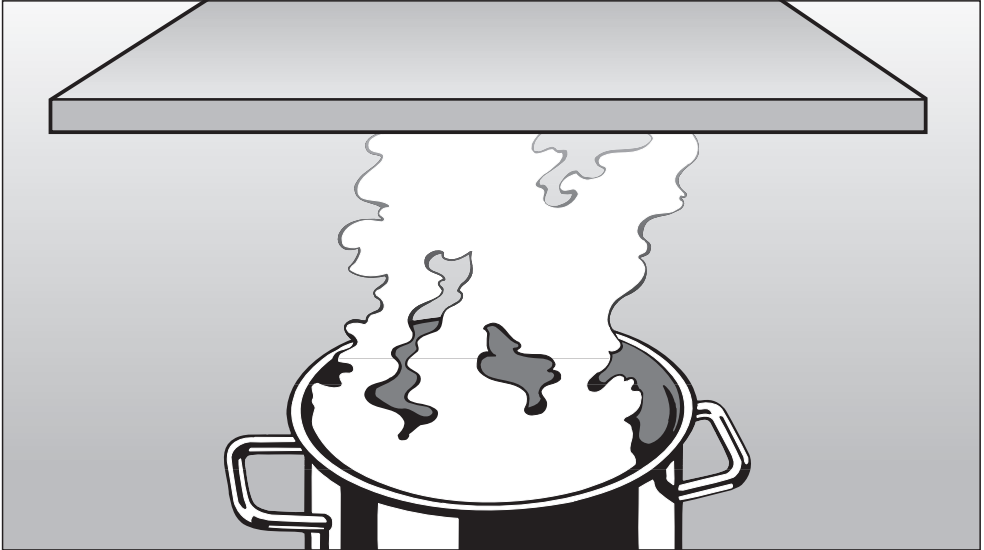


Miele

Operating and installation instructions



Cooker hoods

DA 420 V, DA 420 V EXT

DA 424 V, DA 424 V EXT

To avoid the risk of accidents or damage to the appliance it is **essential** to read these instructions before it is installed or used for the first time.



M.-Nr. 06 740 240

Contents

Caring for the environment	3
Warning and Safety instructions	4
Modes of operation	9
Guide to the appliance	10
Use	12
To switch the fan on	12
To select a power level	12
Intensive setting	12
Run-on option	13
To switch the fan off	13
To switch the lighting on	14
Dimming the lighting	14
To switch the lighting off.	14
Filter operating hours counter	15
Adjusting the height of the canopy	18
Cleaning and care	19
Housing	19
Grease filters	20
Fitting and replacing the charcoal filter	21
Changing a halogen lamp	23
Appliance dimensions	24
Safety distance between hob and cooker hood (S)	25
Installation	26
Assembly parts	26
Installation instructions	26
Special installation instructions for recirculation mode	26
Electrical connection	27
Operation with Control module DSM 400	28
Connection to a window contact switch	28
Potential free connection	28
Connection to a light switch	29
Connection for air extraction	30
Condensate trap	31
Silencer	31
After Sales Service	32
Technical data	33

Disposal of the packing material

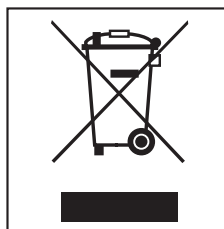
The transport and protective packing has been selected from materials which are environmentally friendly for disposal, and can normally be recycled.

Packaging e.g. cling film, polystyrene and plastic wrappings must be kept out of the reach of babies and young children. Danger of suffocation!

Dispose of or recycle all packaging materials safely as soon as possible.

Disposal of your old appliance

Electrical and electronic appliances often contain materials which, if handled or disposed of incorrectly, could be potentially hazardous to human health and to the environment. They are, however, essential for the correct functioning of your appliance. Please do not therefore dispose of your old appliance with your household waste.



Please dispose of it at your local community waste collection / recycling centre and ensure that it presents no danger to children while being stored for disposal.

It should be unplugged or disconnected from the mains electricity supply by a competent person. If connected by a plug, the plug must be rendered useless and the cable cut off directly behind the appliance to prevent misuse. See the "Warning and Safety" section of this booklet for further details.

Warning and Safety instructions

This appliance complies with all relevant local and national safety requirements. Inappropriate use can, however, lead to personal injury and damage to property.

To avoid the risk of accidents and damage to the appliance, please read these instructions carefully before using it for the first time. They contain important information on the safety, installation, use and maintenance of the appliance.

Keep these operating instructions in a safe place and ensure that all users are familiar with the contents. Pass them on to any future owner of the appliance.

Correct usage

■ This appliance is intended for domestic use only.
The manufacturer cannot be held liable for damage caused by improper or incorrect use of the appliance.

Technical safety

■ Before connecting the appliance to the mains supply, make sure that the voltage and frequency details given on the data plate correspond with the on-site electricity supply; otherwise the appliance could get damaged. Consult a qualified electrician if in any doubt.

■ The electrical safety of this appliance can only be guaranteed when continuity is complete between the appliance and an effective earthing system which complies with local and national safety regulations. It is most important that this basic safety requirement is present and regularly tested, and where there is in any doubt, the household wiring system should be inspected by a qualified electrician. The manufacturer cannot be held liable for the consequences of an inadequate earthing system (e.g. electric shock).

■ Installation, maintenance and repair work may only be carried out by a suitably qualified and competent person in accordance with national and local safety regulations. Repairs and other work by unqualified persons could be dangerous. The manufacturer cannot be held liable for unauthorised work.

Ensure that current is not supplied to the appliance until after maintenance or repair work has been carried out.

■ This equipment may only be used in mobile installations such as ships, caravans, aircraft etc. if a risk assessment of the installation has been carried out by a suitably qualified engineer.

Warning and Safety instructions

■ The appliance is only completely isolated from the electricity supply when:

- it is switched off at the isolator,
- it is switched off at the wall socket and the plug withdrawn,
- the fuse from the fused spur connection unit is withdrawn,
- the mains fuse is withdrawn, or
- the screw-out fuse is removed (in countries where this is applicable).

■ Do not connect the appliance to the mains electricity supply by an extension lead.

Extension leads do not guarantee the required safety of the appliance (e.g. danger of overheating).

■ For appliances with an external fan motor fitted (EXT models) the connection of the two units must be made using the connection cable and the plug connectors.

These models may only be combined with a Miele external motor.

■ In countries where there are areas which may be subject to infestation by cockroaches or other vermin, pay particular attention to keeping the appliance and its surroundings in a clean condition at all times. Any damage which may be caused by cockroaches or other vermin will not be covered by the guarantee.

Use

■ Never use an open flame beneath the cooker hood. To avoid the danger of fire, do not flambé or grill over an open flame under the cooker hood. When switched on, the cooker hood could draw flames into the filter. Fat particles drawn into the cooker hood present a fire hazard.

■ When using the cooker hood over a gas hob, ensure that any burners in use are always covered by a pan; otherwise flames could be drawn up by the suction of the cooker hood, parts of which could then be damaged.

■ Always switch the cooker hood on when a cooking zone is in use, otherwise condensation may collect in the hood, which could cause corrosion.

■ When cooking with oil or fat, chip pans and deep fat fryers etc, do not leave the pans unattended. Never leave an open grill unattended when grilling. Overheated oil and fat can ignite and could set the cooker hood on fire.

■ Do not use the cooker hood without the grease filters in place. This way you will avoid the risk of grease and dirt getting into the appliance and hindering its smooth operation.

■ The filters should be regularly cleaned or changed as appropriate. Saturated filters are a fire hazard. See "Cleaning and care".

■ Do not use a steam-cleaner to clean this appliance. Pressurised steam could reach the electrical components and cause a short circuit.

Warning and Safety instructions

Safety with children

■ The appliance is only intended for use by adults who have read these instructions. Keep children well away from the appliance at all times and supervise them when you are using it.

■ Older children may use the appliance only when its operation has been clearly explained to them and they are able to use it safely, recognising the dangers of misuse.

■ Please be aware that on appliances with halogen lighting, the lamps will get very hot during use and remain hot for some time after switching off. To safeguard against burning, keep children well away from the lamps at all times.

■ Packaging (e.g. cling film, polystyrene) and plastic wrappings must be kept out of the reach of babies and young children. Danger of suffocation. Dispose of or recycle all packaging safely as soon as possible.

Installation

■ Safety regulations prohibit the fitting of a cooker hood over solid fuel stoves.

■ The minimum safety distances between the top of a cooker or hob and the bottom of the cooker hood are as follows, unless a greater distance is specified by the manufacturer of your cooking appliance:

- 550 mm above electric hobs and cookers,
- 650 mm above gas hobs and cookers,
- 650 mm above an open grill or deep fat fryer.

If more than one appliance is fitted beneath the cooker hood and they have different minimum safety distances to the cooker hood, select the greater distance.

If the distance falls below the recommended safety distance when the canopy is lowered, the max. interval it is allowed to be lowered must be re-set during installation. See the installation instructions for further advice.

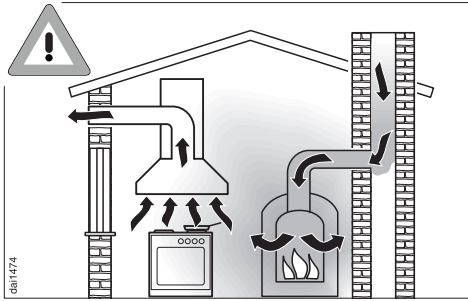
■ All ducting, pipework and fittings must be of non-flammable material. These can be obtained from the Miele Spare Parts department or from builders' merchants.

■ The appliance must not be connected to a chimney or vent flue which is in use. Neither should it be connected to ducting which ventilates rooms with fireplaces.

■ If exhaust air is to be extracted into a chimney or ventilation duct no longer used for other purposes, seek professional advice.

Warning and Safety instructions

Using at the same time as other heating appliances that depend on the air from the room



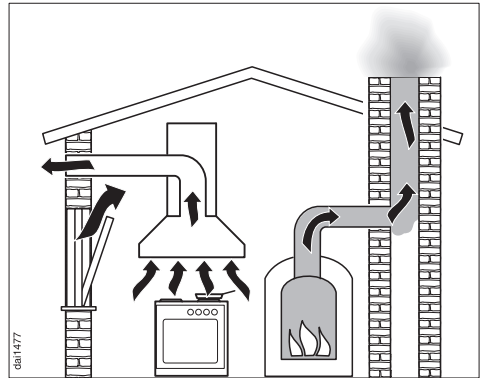
Warning - danger of toxic fumes

Great care should be taken when using the cooker hood at the same time and in the same room or area of the house as another heating appliance which depends on the air in the room. Such appliances include gas, oil, wood or coal-fired boilers and heaters, continuous flow or other water heaters, gas hobs, cookers or ovens which draw air in from the room and duct exhaust gases out through a chimney or extraction ducting.

When used in extraction mode, with or without an external motor, the appliance draws air in from the room in which it is installed **and** from neighbouring rooms. If there is insufficient air, an underpressure will occur. The heating appliance may be starved of oxygen, impairing combustion.

Harmful gases such as carbon monoxide could be drawn out of the chimney or extraction ducting back into the room, with potentially fatal consequences.

In order to ensure safe operation, and to prevent gases given off by the heating appliances from being drawn back into the room when the extractor and the heater are in operation simultaneously, an underpressure in the room of 0.04 mbar (4 pa) is the maximum permissible.



Ventilation can be maintained by air inlets which cannot be blocked, in windows, doors and outside wall vents, or by other technical measures, such as ensuring that the extractor can only be switched on when the heating appliance is switched off or vice-versa. A ventilation brick alone is not generally sufficient to ensure safe ventilation.

The overall ventilation condition of the dwelling must be taken into account. If in any doubt, the advice of a competent builder or, for gas, a "Corgi" installer, must be sought.

Warning and Safety instructions

One of the following technical measures may be necessary to ensure safe operation.

- If the only way of ensuring adequate ventilation is via an open window, a window contact switch should be fitted to ensure that the cooker hood can only operate when the window is opened sufficiently. A window contact switch kit is available from good builders' merchants. Take care when ventilating the room through an open window that ventilation is not impaired by a closed blind or curtain.
- The cooker hood can be set up to automatically switch on an air intake fan or open a motorised inlet flap when it is switched on.
- The cooker hood can be set up to automatically switch off a heating appliance which also depends on the air from the room when it is switched on.

The Miele control module DSM 400 offers the possibility of combining such components with the cooker hood (see "Operation with a control module"). This is available to purchase as an optional extra.

If in any doubt, the advice of a competent builder or, for gas, a "Corgi" installer, must be sought.

If the hood is being operated in recirculation mode, the above restrictions do not apply.

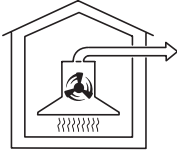
Disposal of your old appliance

Before disposing of your old appliance, first make it unusable. This should be done by a competent person.

The manufacturer cannot be held liable for damage caused by non-compliance with these Warning and Safety instructions.

The cooker hood works with

... air extraction:



The air is drawn in, cleaned by the grease filters and directed outside.

The cooker hood is fitted with a **non-return flap**, which is closed when the cooker hood is switched off. No exchange of room air and outside air can take place. When the cooker hood is switched on, the non-return flap opens for the cooking vapours to be blown directly outside.

... air recirculation:

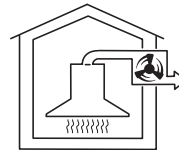
(Applies to the DA 420 V only. A conversion kit and charcoal filter are required, which are available as optional accessories: see "Technical Data")



The air is drawn in and cleaned first by the grease filters and then by a **charcoal filter**. The cleaned air is then recirculated back into the kitchen through grilles in the top of the cooker hood telescopic tower.

Before using the cooker hood in recirculation mode, ensure that the charcoal filter is in place. See "Cleaning and care".

... an external motor:

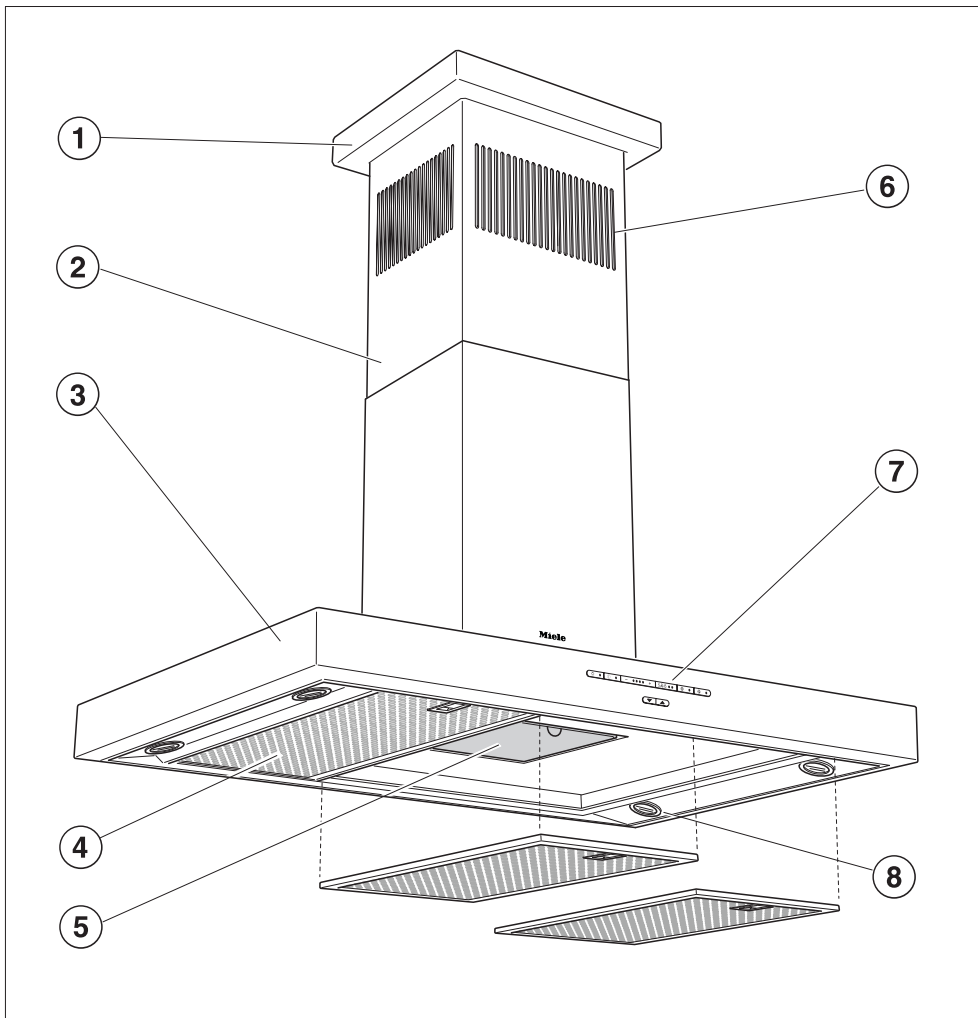


(...EXT models only)

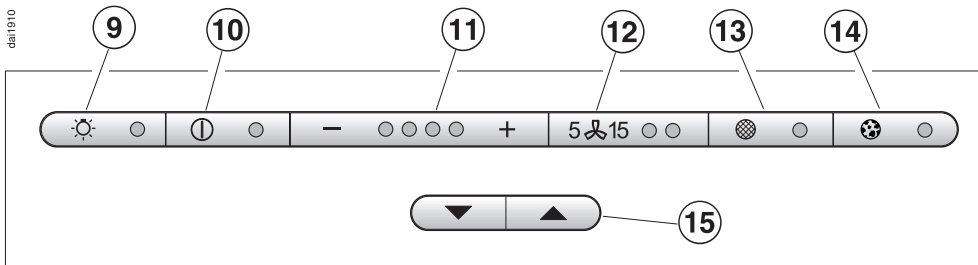
EXT models are designed to be connected to an external motor located outside the room.

The external motor is connected to the cooker hood by means of a control cable and is operated by the controls on the cooker hood.

Guide to the appliance



DAI 1910



① Cover plate

② Telescopic tower

③ Canopy

The canopy is not designed to be used as a shelf.

④ Grease filters

⑤ Charcoal filter

Available as an optional accessory for recirculation mode (DA 420 V only)

⑥ Recirculation grille

(only for recirculation mode on the DA 420 V)

⑦ Controls

⑧ Hob lighting

⑨ Touch control for hob lighting

This control switches the lighting on and off, and is also a dimmer switch.

⑩ On/Off touch control for the fan

⑪ Controls to select the fan power level

⑫ Touch control for the run-on option

The fan can be set to switch off automatically after either 5 or 15 minutes.

⑬ Touch control for the grease filters

The indicator lamp for the grease filter touch control lights up when the grease filters need to be cleaned.

This control is used to reset the operating hours counter after cleaning the grease filters (see "Cleaning and care").

It can also be used to check and alter the operating hours counter.

⑭ Touch control for the charcoal filter

(DA 420 V only)

The indicator lamp for the charcoal filter touch control lights up when the charcoal filter used in recirculation mode needs to be replaced. For this to happen, the operating hours counter needs to be set before the appliance is used for the first time.

This control is used to reset the operating hours counter after replacing the charcoal filter (see "Cleaning and care").

It can also be used to check and alter the operating hours counter.

⑮ Control for raising and lowering the canopy

The height of the canopy can be adjusted by up to 300 mm in air extraction mode, and by up to 250 mm in recirculation mode.

For further details about the functions of the appliance, see "Use".

Use

To switch the fan on



- Press the On/Off touch control.

The fan runs at power level "II".
The indicator lamp will come on.

If the cooker hood has been connected to a window contact switch via the DSM 400 control module, then the fan cannot be switched on if the window is shut. The indicator lamp will flash.

To select a power level



- Use the – / + controls to select the power level required.

Touch control + = higher setting
Touch control – = lower setting

Depending on the intensity of the cooking vapours, levels I to III (green indicator lamps) are usually sufficient for normal cooking.

Intensive setting

When frying or cooking food with a strong aroma, you may wish to select the Intensive setting (yellow indicator lamp) for a short period.

Automatic switch-off of the Intensive setting

You can set the Intensive setting so that it only runs for 10 minutes before reverting automatically to level III.

- To set this option, both the fan and the hob lighting must be switched off.



- Press the run-on option touch control for approx. 10 seconds. The first fan setting indicator will light up.
- Then press, one after the other,



- the hob lighting touch control,



- the – touch control, and



- the hob lighting touch control again.



The indicator lamps for fan power levels I and IV will flash if the automatic switch-off of the Intensive setting is not activated.

- Press the + touch control to activate automatic switch-off.

The indicator lamps for fan power levels I and IV will now light up constantly.

Press the – touch control to deactivate the automatic switch-off function.



- Press the run-on option touch control to confirm your selection.

If you do not confirm your selection within 4 minutes, the cooker hood will automatically revert to the "old" setting.

Run-on option

It is advisable to run the fan for a few minutes after cooking is finished to neutralise any lingering odours in the air, whether you are using air extraction or recirculation mode.

The fan can be set to switch off automatically after either 5 or 15 minutes:



- After cooking is finished, press the run-on option touch control whilst the fan is still running.
 - Press once = The fan will switch off after 5 minutes (left-hand indicator lamp).
 - Press twice = The fan will switch off after 15 minutes (right-hand indicator lamp).

To switch off the run-on option, press the run-on option touch control again. The appliance will then not switch off automatically.

To switch the fan off



- Press the On/Off touch control to switch the fan off.

The indicator lamp will go out.

Use

To switch the lighting on

The hob lighting can be switched on and off independently of the fan.



- Briefly press the lighting touch control to switch on the hob lighting.

The indicator lamp will come on.

The lighting will switch on at maximum brightness.

Dimming the lighting

The brightness of the lighting can be adjusted.

- With the lighting switched on, press and hold the hob lighting touch control in. The brightness will gradually dim until you release the touch control.
- Press the touch control in again to increase the brightness to the level required and then release it.

If you keep the touch control pressed in, the light will continually change between bright and dim.

To switch the lighting off

- Press the hob lighting touch control briefly to switch the lighting off.

The indicator lamp will go out.

Safety cut-out

Should the cooker hood be left on, the fan will switch off automatically after 10 hours. The lighting will remain on.



- Pressing the On/Off touch control will switch the fan back on again.

Filter operating hours counter

The number of hours the appliance has been in operation is stored in memory.



The indicator lamp for the grease filter touch control will come on after 30 hours of operation. The **grease filters** must then be cleaned.

Afterwards, the filter operating hours counter must be reset.

- To do this, press and hold the grease filter touch control for about 3 seconds.

The indicator lamp for the touch control will go out.

For recirculation mode, the operating hours counter for the charcoal filter needs to be set to the required time (see "Setting and altering the charcoal filter operating hours counter").



The indicator lamp for the charcoal filter touch control will light up after the cooker hood has operated for the number of hours set. The **charcoal filter** must then be replaced with a new one.

Afterwards, the filter operating hours counter must be reset.

- Press the charcoal filter touch control for about 3 seconds.

The indicator lamp for the touch control will go out.

Reading the filter operating hours counter

To check the percentage of time set already used:



- Press the On/Off touch control to switch the fan on.



- Press and hold the grease filter or the charcoal filter touch control.



One or more of the indicator lamps for the **-/+** touch controls will flash.

The number of flashing lamps shows the percentage of the operating time which has already been used up.

1 lamp	=	25 %
2 lamps	=	50 %
3 lamps	=	75 %
4 lamps	=	100 %

The number of operating hours used remains in the memory, even when the appliance is switched off or there is a power cut.

Use

Filter operating hours counter

You can set the operating hours counter to suit the type of cooking you do.

- Select a short time if you roast or fry a lot.
- If you use very little fat for cooking, select a longer time.
- If you only cook occasionally we recommend that you still select a short time, because grease which has built up gradually over a long period of time will harden on the grease filter and make cleaning more difficult.

Altering the grease filter operating hours counter

The operating hours counter for the grease filter is set at 30 hours. The time set can be lengthened or shortened: you can choose 20, 30, 40 or 50 hours.



- Press the On/Off touch control to switch the fan off.



- Press the run-on option touch control and the grease filter touch control at the same time.

The indicator lamp for the grease filter touch control and one of the - / + touch control lamps will flash.



The - /+ control lamps show the time which has been set:

- 1st lamp from the left = 20 hours
- 2nd lamp from the left = 30 hours
- 3rd lamp from the left = 40 hours
- 4th lamp from the left = 50 hours

- Use the - /+ touch controls to select the desired time.



- Confirm the selection by pressing the grease filter touch control.

All the indicator lamps will go out.

If you do not confirm your selection within 4 minutes, the cooker hood will automatically revert to the "old" data.

Setting and altering the charcoal filter operating hours counter

(with recirculation mode)

The charcoal filter is needed for recirculation mode.

The cooker hood is set at the factory for extraction mode. On delivery, the operating hours counter for the charcoal filter is set to **unlimited**.

For recirculation mode, the operating hours counter needs to be set to the required time:



- Press the On/Off touch control to switch the fan off.



- Press the run-on option touch control and the charcoal filter touch control at the same time.

The indicator lamp for the charcoal filter touch control and one of the lamps above the - / + touch controls will flash.



The - /+ control lamps show the time which has been set:

- 1st lamp from the left = 120 hours
- 2nd lamp from the left = 180 hours
- 3rd lamp from the left = 240 hours
- 4th lamp from the left = unlimited

- Use the - /+ touch controls to select the desired time.



- Confirm the selection by pressing the charcoal filter touch control.

All the indicator lamps will go out.

If you do not confirm your selection within 4 minutes, the cooker hood will automatically revert to the "old" data.

Use

Adjusting the height of the canopy

The height adjustment feature on the canopy can be used to –

- adapt the height of the hood to suit the installation conditions.
- adjust the working area underneath the hood to the height of the user.
- maximise vapour extraction by lowering the canopy during particularly intensive cooking.
- create more working space above the hob by raising the canopy when required.

The height of the canopy can be adjusted by up to 300 mm in air extraction mode, and by up to 250 mm in recirculation mode.



- The canopy can be raised or lowered by touching the Up or Down controls briefly.
- Pressing the control again stops the canopy.

If it is not stopped, the canopy will automatically be raised or lowered to its fullest extent.

Repeated use of the height adjustment feature over several minutes will cause it to cut out. It can be used again after a pause.

Before carrying out any cleaning or maintenance work, disconnect the cooker hood from the mains supply. Ensure that:

- it is switched off at the isolator, or
- it is switched off at the wall socket and the plug removed, or
- the fuse is withdrawn from the fused spur connection unit, or
- the mains fuse is withdrawn, or
- the screw-out fuse is removed (in countries where this is applicable).

Housing

General notes

The surfaces and controls are susceptible to scratches and abrasions. Please observe the following cleaning instructions.

- All external surfaces and controls can be cleaned using warm water with a little washing-up liquid applied with a well wrung-out soft sponge or cloth.
- Wipe the surfaces dry using a soft cloth.

Do not use too much water when cleaning the controls. Water could penetrate into the electronics and cause damage.

- A microfibre "E-Cloth" is available from the Miele UK Spare Parts Department which is suitable for cleaning surfaces such as stainless steel, glass, plastic and chrome

without the use of chemicals.

Avoid:

- cleaning agents containing soda, acids, chlorides or solvents,
- abrasive cleaning agents, e.g. powder cleaners or cream cleaners and abrasive sponges, as well as pot scourers or sponges which have been used previously with abrasive cleaning agents. These will damage the surface material.

Important for appliances with stainless steel housing

(This information does not apply to the controls).

Stainless steel surfaces can be cleaned using the Miele E-cloth, or with a proprietary non-abrasive cleaning agent designed specifically for use on stainless steel.

To help prevent re-soiling, a proprietary conditioning agent for stainless steel, e.g. Neoblank (available from the Miele Spare Parts Dept.) can also be used. Apply sparingly, following the instructions on the label, with an even pressure in the direction of the "grain".

Important for appliances with lacquered housing

(special finish)

It is very difficult to clean this type of surface without causing minor marks to the surface material. This can become particularly noticeable with darker colours and if there is halogen lighting in the kitchen.

Cleaning and care

Controls

The controls may suffer discolouration or damage if soiling is left on them for too long. Remove soiling straight away.

Observe the General notes on cleaning earlier in this section.

Do not use stainless steel cleaning agents on the controls.

Grease filters

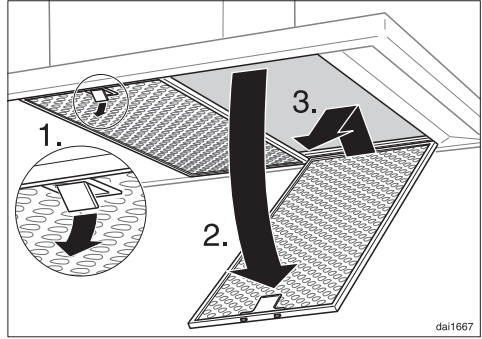
Re-usable metal filters are fitted which remove solid particles (oil, dust, etc.) from the kitchen vapours, preventing soiling of the cooker hood.

The grease filters should be cleaned regularly (at least every 3-4 weeks) to avoid a build-up of grease.



However, they should be cleaned immediately if the grease filter touch control lamp comes on.

An oversaturated filter is a fire hazard.



- To take out the grease filters, release the locking clip on the filter, lower the filter 45°, unhook it at the back and remove it.

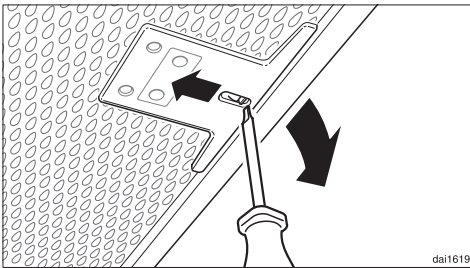
To avoid damaging the filter or the hob below, make sure you hold the filter securely at all times when handling it.

- Clean the filters
 - **by hand:** with a soft nylon brush, warm water and a little washing up liquid.
 - **in a dishwasher:** place filters upright in the lower basket, and wash on a 65° programme, ensuring that the spray arm is not obstructed.

Depending on the cleaning agent used, cleaning the filters in a dishwasher can cause permanent discolouration to the surface. However, this will not affect the functioning of the filters in any way.

- After cleaning, leave the filters to dry on an absorbent surface before replacing them.
- When removing the filters for cleaning, also clean off any residues of oil or fat from the now accessible housing to prevent the risk of these catching fire.

When putting the grease filters back in position, ensure that the locking clips are facing down towards the hob.



If the grease filters are inadvertently replaced upside down, insert a small screwdriver blade into the slits to disengage the clip.

- After replacing the grease filters, press the grease filter touch control for approx. 3 seconds to re-set the operating hours counter. The indicator lamp will go out.

If the grease filters are cleaned before the operating hours counter has reached its maximum, the grease filter touch control should be pressed for approx. 6 seconds to reset the counter.

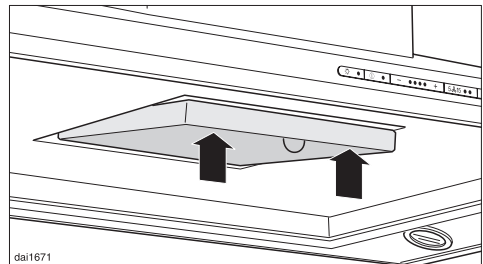
Fitting and replacing the charcoal filter

If the cooker hood is connected for recirculation, a charcoal filter must be inserted in addition to the grease filters. It is designed to absorb cooking odours.

It is fitted in the canopy above the grease filters.

New filters can be purchased from your Miele dealer or from the Miele Spare Parts Department. See back cover for contact details, and "Technical data" for the model number of the filter.

- Before fitting or replacing a charcoal filter, the grease filters must first be taken out (see previous section for instructions on how to do this).



- Take the charcoal filter out of its packaging.
- Insert the charcoal filter into the canopy. The tab for removing it should be at the front.

When fitting for the first time:

- Set the operating hours counter to suit your requirements (see "Operation").

Cleaning and care

Always replace the charcoal filter immediately if



- the indicator lamp for the charcoal filter touch control lights up,
- or
- if it is no longer effective in absorbing kitchen odours.

It should, however, be replaced at least every 6 months.

Used charcoal filters can be disposed of with the normal household waste.

- After fitting the new charcoal filter, press the charcoal filter touch control for approx. 3 seconds to re-set the operating hours counter. The indicator lamp will go out.
- If a charcoal filter is replaced before the operating hours counter has reached its maximum, the charcoal filter touch control should be pressed for approx. 6 seconds to reset the counter.

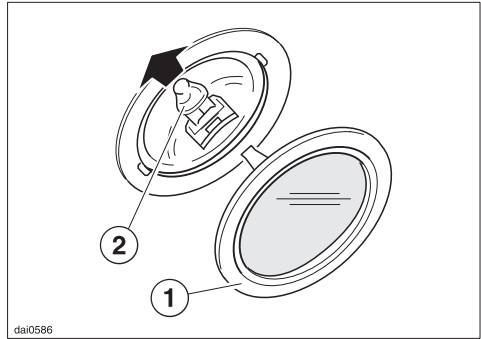
Changing a halogen lamp

Before any cleaning or maintenance work, the cooker hood must be disconnected from the mains supply. Ensure that, depending on connection:

- it is switched off at the isolator, or
- it is switched off at the wall socket and the plug is removed, or
- the fuse is withdrawn from the fused spur connection unit, or
- the mains fuse is withdrawn, or
- the screw-out fuse is removed (in countries where this is applicable).

Exercise caution when changing halogen lamps. They get very hot during use and remain hot for some time after being switched off.

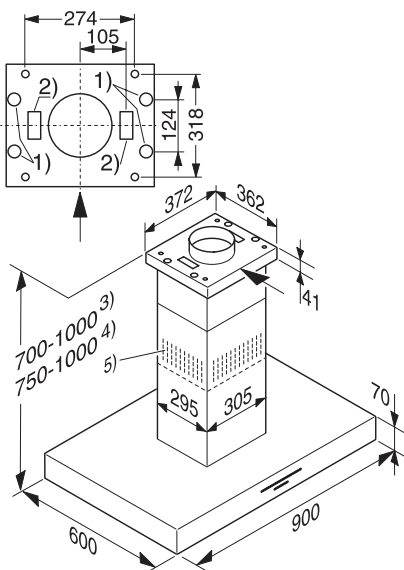
Do not touch the surface directly when changing a lamp, as grease particles from your fingers will adhere to the surface and damage it. Please follow the manufacturer's instructions.



- To access the halogen lamp, first remove the lamp cover ①.
- Pull the old halogen lamp ② out of its socket and replace it with a new one.
- Replace the lamp cover ① carefully, making sure it engages securely in position.

Never use the lighting without the lamp cover in place. It has a filter designed to cut out harmful rays.

Appliance dimensions



1) Alternative positions for feeding through the mains cable

2) For EXT appliances:
Cut-out for feeding the connection cable through to an external motor, min. 65 x 30 mm

3) Height range for appliance in extraction mode

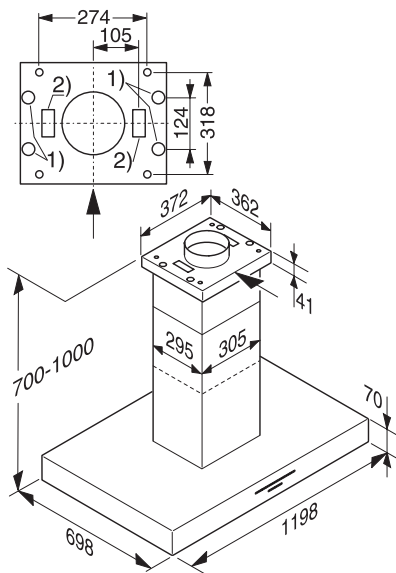
4) Height range for appliance in recirculation mode

5) Ventilation grille positioned at the top for recirculation

Exhaust connection \varnothing 150 mm (not needed for recirculation mode)

DA 420 V

(Ceiling fixing viewed from above)



DA 424 V

(Ceiling fixing viewed from above)

Safety distance between hob and cooker hood (S)

The minimum safety distances between the top of a cooker or hob and the bottom of the cooker hood are as follows, unless a greater distance is specified by the manufacturer of your cooking appliance:

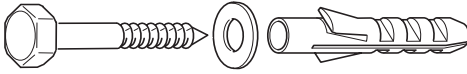
- 550 mm above electric hobs and cookers,
- 650 mm above gas hobs and cookers,
- 650 mm above an open grill or deep fat fryer.

For further advice, see "Warning and Safety".

If the distance falls below the recommended safety distance when the canopy is lowered, the max. interval it is allowed to be lowered must be re-set during installation. See the installation instructions for further advice.

Installation

Assembly parts

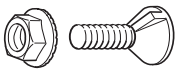


4 screws 8 x 60 mm with
4 washers and
4 plugs S 10 to secure the cover plate
to the ceiling

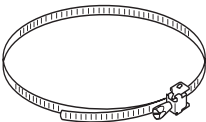
The screws and plugs are designed for use in concrete ceilings. For other types of construction, alternative suitable fixings will be required. Make sure the ceiling is strong enough to bear the weight of the cooker hood.



2 spring clips to hang the cooker hood
onto the cover plate



4 countersunk screws M 6 x 20 mm
with locating bar and
4 self-locking nuts M 6 to secure the
cooker hood to the cover plate



1 cable clip for securing the exhaust
ducting to the exhaust stub.

Before installation, it is important to read the information given on the following pages as well as the "Appliance dimensions" and the "Warning and Safety instructions" at the beginning of this booklet. This is particularly crucial when using the cooker hood at the same time as a heating appliance that relies on oxygen from the same room, which could result in the build-up of toxic fumes.

Installation instructions

See enclosed Installation sheet for instructions on how to install this appliance.

Special installation instructions for recirculation mode

(DA 420 V only)

In order to use the cooker hood in recirculation mode, it has to be fitted with a special conversion kit which is available from the Spare Parts Department (see "Technical data"). It is supplied with its own fitting instructions.

After the cooker hood has been installed, the charcoal filter has to be fitted, and the operating hours counter has to be set.

All electrical work should be undertaken by a suitably qualified and competent person in strict accordance with current national and local safety regulations (BS 7671 in the UK).

Installation, repairs and other work by unqualified persons could be dangerous, for which the manufacturer cannot be held liable.

Ensure power is not supplied to the appliance until after installation or repair work has been carried out.

Do not connect the appliance to the mains electricity supply by an extension lead. These do not guarantee the required safety of the appliance.

The voltage and connected load are given on the data plate. This is visible when the grease filters have been removed. Ensure that these match the household mains supply.

Connection of this appliance should be made via a suitable isolator or a double pole fused spur connection unit which complies with national and local safety regulations and the On-Off switch should be easily accessible after the appliance has been built in. When switched off there must be an all-pole contact gap of 3 mm in the switch (including switch, fuses and relays according to EN 60 335).

If the switch is not accessible after installation (depending on country), an additional means of disconnection must be provided for all poles.

For extra safety it is advisable to install a residual current device (RCD) with a trip current of 30 mA.

Important

U.K., IRL, NZ, ZA: This appliance is supplied for connection to an a.c. 230 V single phase 50 Hz supply.

AUS: This appliance is supplied for connection to an a.c. single phase 240 V, 50 Hz supply.

The wires in the mains lead are coloured in accordance with the following code:

Green/yellow	= earth
Blue	= neutral
Brown	= live

**WARNING:
THIS APPLIANCE MUST BE
EARTHED**

Operation with Control module DSM 400

The Miele DSM 400 Control module can be used to combine the cooker hood with other components.

It enables the following:

Connection to a window contact switch

If adequate ventilation to the room can only be ensured by having a window open when the cooker hood is in use at the same time as a heating appliance which depends on the air from the same room, then the control module can be used to connect a window contact switch (not supplied) to the appliance.

Once connected, the cooker hood can only be operated when the window is sufficiently open (see also "Warning and Safety instructions").

When the window is closed the cooker hood fan cannot be switched on. The indicator lamp for the On/Off touch control on the cooker hood will flash.

The cooker hood lighting is not affected by this.

...EXT models can also be combined with a window contact switch.

Take care when ventilating the room through an open window that ventilation is not impaired by a closed blind or curtain.

If the control module is disconnected in order to operate the cooker hood without the window contact switch (e.g. after moving house) the cooker hood electronics must be reset by a Miele service technician.

Potential free connection

This enables a further appliance to be controlled by the switch setting on the cooker hood fan.

- For instance, it can be used to ensure a sufficient supply of fresh air when the cooker hood and a heating appliance which also depends on the air in the room are being used together, by switching on an air intake fan or opening a motorised inlet flap as soon as the cooker hood fan is switched on.
It is important to ensure that the fan power is sufficient and that the air intake has a suitable cross-sectional diameter.
- If a sufficient air intake cannot be guaranteed, then the potential free contact will enable a heating appliance, which depends on air in the same room as a cooker hood, to be switched off when the cooker hood is in operation.

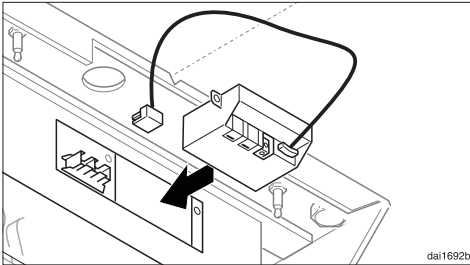
See also "Warning and Safety" instructions.

Operation with Control module DSM 400

Connection to a light switch

The control module can be used to switch on the cooker hood lighting and also to dim it via a light switch in the house.

Installation



The control module is fitted in the tower after the cover plate has been unscrewed from the ceiling.

The control module is supplied with its own detailed operating and installation instructions.

Connection for air extraction

Important: To avoid the danger of toxic fumes, please observe the Warning and Safety instructions. This is especially crucial when using the cooker hood at the same time as another heating appliance which relies on air from the same room. The cooker hood should be installed according to local and national building regulations. Seek approval from the building inspector where necessary.

- All ducting, pipework and fittings must be of non-flammable materials.
- The exhaust ducting should be as short and straight as possible.
- To ensure efficient air extraction, the diameter of the exhaust ducting should not be less than 150 mm.

If exhaust ducting with a diameter of less than 150 mm, or if flat ducting is used, the noise level of the cooker hood will increase and extraction will be less efficient.

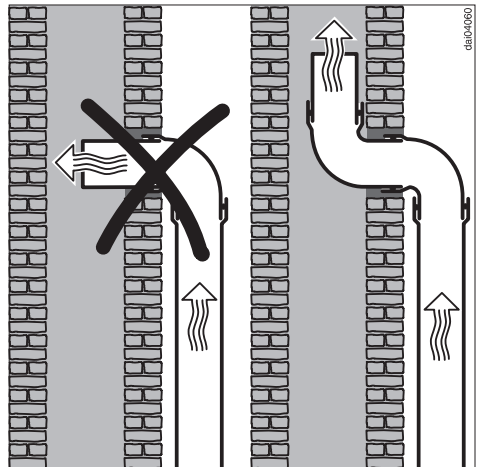
Only reduce the diameter of the ducting if absolutely necessary, e.g. where narrower ducting has already been installed.

- Only use wide radius bends. Tight bends reduce the air throughput of the cooker hood.
- Only use smooth pipes or flexible hoses made from non-flammable materials for extraction connection.

- Where ducting is horizontal, it must be laid to slope away at at least 1 cm per metre.

This is to ensure that condensate cannot drain back into the cooker hood.

- If the exhaust air is to be ducted into the open air, the installation of a telescopic wall vent is recommended.



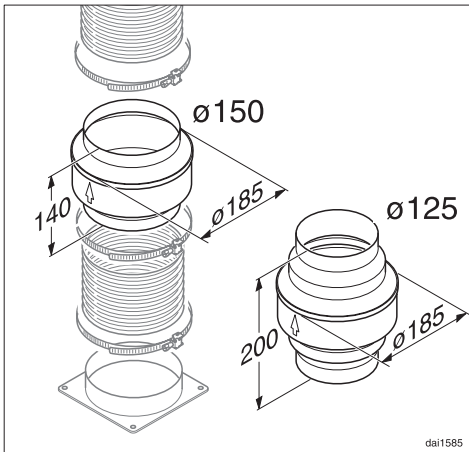
- If the exhaust air is to be ducted into a vent flue, the ducting must be directed in the flow direction of the flue.

Important:

If the exhaust ducting is to run through rooms, ceiling space etc. where there may be great variations in temperature between the different areas, the problem of condensation will need to be addressed. The exhaust ducting will need to be suitably insulated.

Condensate trap

(optional accessory)



In addition to insulating the exhaust ducting, we recommend that a suitable condensate trap is installed to collect and evaporate any condensate which may occur. Condensate traps are available for \varnothing 125 mm or \varnothing 150 mm ducting.

When installing a condensate trap, ensure that it is positioned vertically and if possible directly above the exhaust connection. The arrow on the housing indicates the direction of air-flow.

Cooker hoods designated for use with an external motor (...EXT models), have an integrated condensate trap.

Silencer

(optional accessory for ...EXT models only)

To achieve even further reductions in noise levels, ...EXT models can have a special silencer fitted in the ducting system.

It can be sited at any suitable position in the ducting system between the cooker hood and the external motor.

After Sales Service

In the event of a fault which you cannot correct yourself, or if the appliance is under guarantee, please contact:

– Your Miele Dealer

or

– The Miele Service Department (see back cover for address).

When contacting your Dealer or the Service Department, please quote the model and serial number of your appliance. These are shown on the data plate which is visible when the grease filter is removed.

Please note that telephone calls may be monitored and recorded for training purposes.

Total connected load* 280 W
Fan motor* 200 W
Hob lighting 4 x 20 W

Voltage AC 230 V

Frequency 50 Hz

Fuse rating (UK) 13 A

Weight

DA 420 V 42 kg

DA 420 V EXT 38.8 kg

DA 424 V 47 kg

DA 424 V EXT 43.8 kg

Fan performance*

Extraction power according to
EN 61591:

Extraction system Ø 150 mm:

Level I 200 m³/h

Level II 320 m³/h

Level III 480 m³/h

Intensive Setting 700 m³/h

Unrestricted 730 m³/h

Recirculation with charcoal filter:

Level I 150 m³/h

Level II 260 m³/h

Level III 400 m³/h

Intensive Setting 500 m³/h

Optional extras for recirculation mode:

- **Conversion Kit DUI 30**

- **Miele charcoal filter DKF 12**

* For EXT models the connected load
and extraction power will depend on
the type of external motor fitted.

Length of connection cable to external
motor 1.4 m

**United Kingdom:**

Miele Co. Ltd.
Fairacres, Marcham Road
Abingdon, Oxon, OX14 1TW
tel. Abingdon (01235) 554455
Service Office: (01235) 554466
fax (01235) 554477
Internet: www.miele.co.uk

Ireland:

Miele Ireland Ltd.
Broomhill Road, Tallaght, Dublin 24
Tel: (01) 46 10 710, Fax: (01) 46 10 797
Email: info@miele.ie
Internet: <http://www.miele.ie>

Australia:

Miele Australia Pty. Ltd.
A.C.N. 005635398
1 Gilbert Park Drive
Knoxfield, VIC 3180
Telephone: (03) 9764 7100
Fax: (03) 9764 7129
Internet: www.miele.com.au

Distributor New Zealand:

Steelfort Engineering Company. Ltd.
500 Rangitikei Street
Palmerston North, Priv. Bag 11045, NZ
Telephone: (06) 350 1350
Fax: (06) 356 1507

South Africa:

Miele (Pty) Ltd
63 Peter Place
Bryanston 2194
P.O. Box 69434
Bryanston 2021
Tel.: (011) 548 1900
Telefax (011) 548 1935
Internet: www.miele.co.za
E-mail: info@miele.co.za

Singapore:

Miele Southeast Asia
Miele Pte. Ltd.
163 Penang Road
04 - 02/03 Winsland House II
Singapore 238463
Tel : +65-67351191
Fax: +65-67351161
Email: infosea@miele.com.sg
Internet: www.miele.sg

Hong Kong:

Miele (Hong Kong) Limited
AIA Plaza, 24th Floor
18 Hysan Avenue
Causeway Bay
Hong Kong
Tel.: (852) 2610 1331
Fax: (852) 2610 1013
E-mail: mielehk@miele.com.hk