

Factory Parts Catalog

Product No.	E30MO75HPSA	E30MO75HSSA
Market	North America	North America
Color	stainless steel	stainless steel
Volts	120	120
Watts	900	900
Wiring Diagram	5995535084	5995535084
Owner's Guide	TINSEB493MRR1	TINSEB493MRR1
Installation Instructions	TINSEB504MRR0	TINSEB504MRR0



Electrolux Major Appliances
 North & Latin America
 P.O. BOX 212378
 AUGUSTA, GA 30917

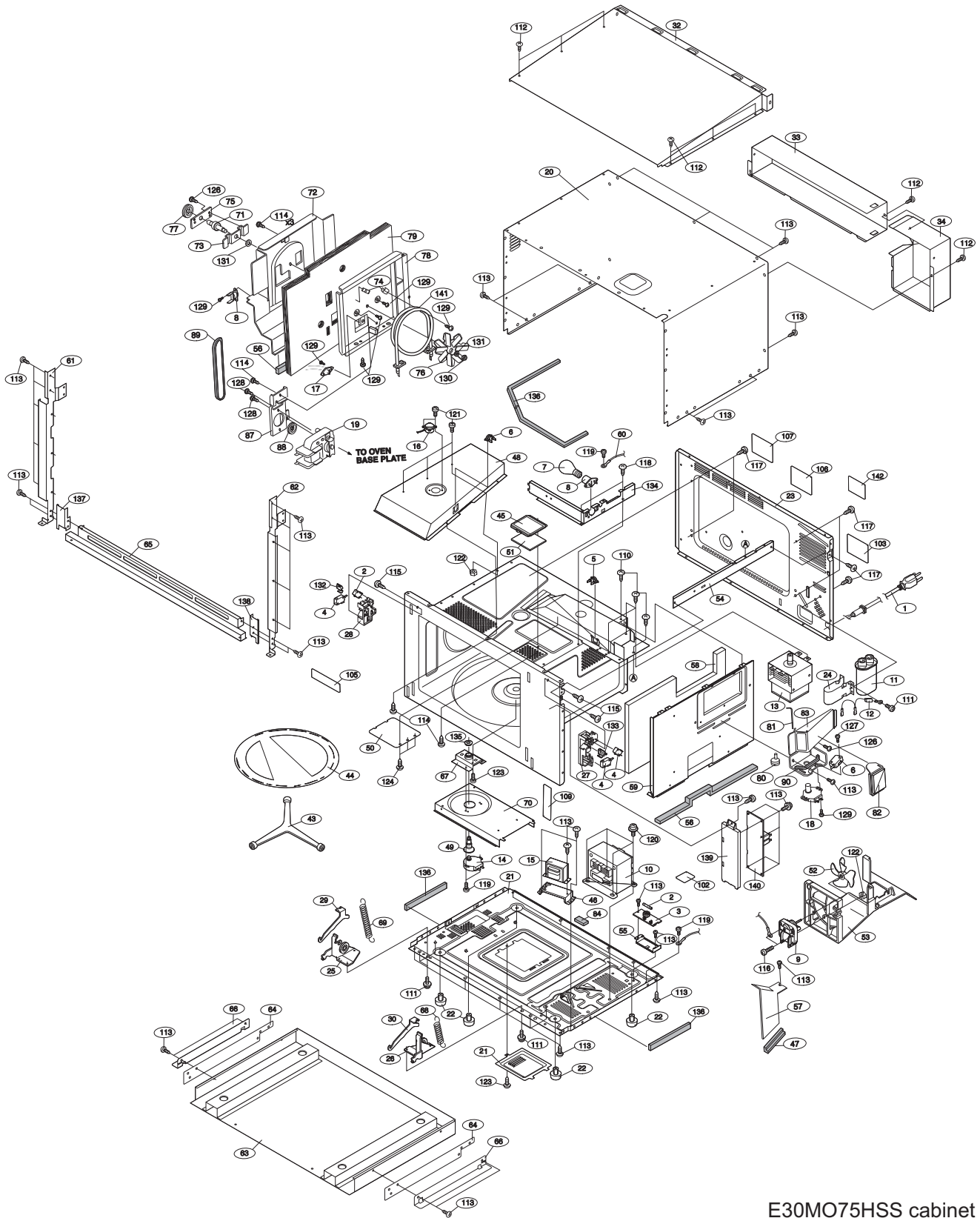
Publication No.
5995535084
 09/03/13
 (EN/SERVICE/KC)
 099

COUNTER-TOP MICROWAVE

Model No.
 E30MO75HP /
 E30MO75HS

Copyright © 2009 Electrolux Home Products, Inc.
 All rights reserved.

OVEN, CABINET



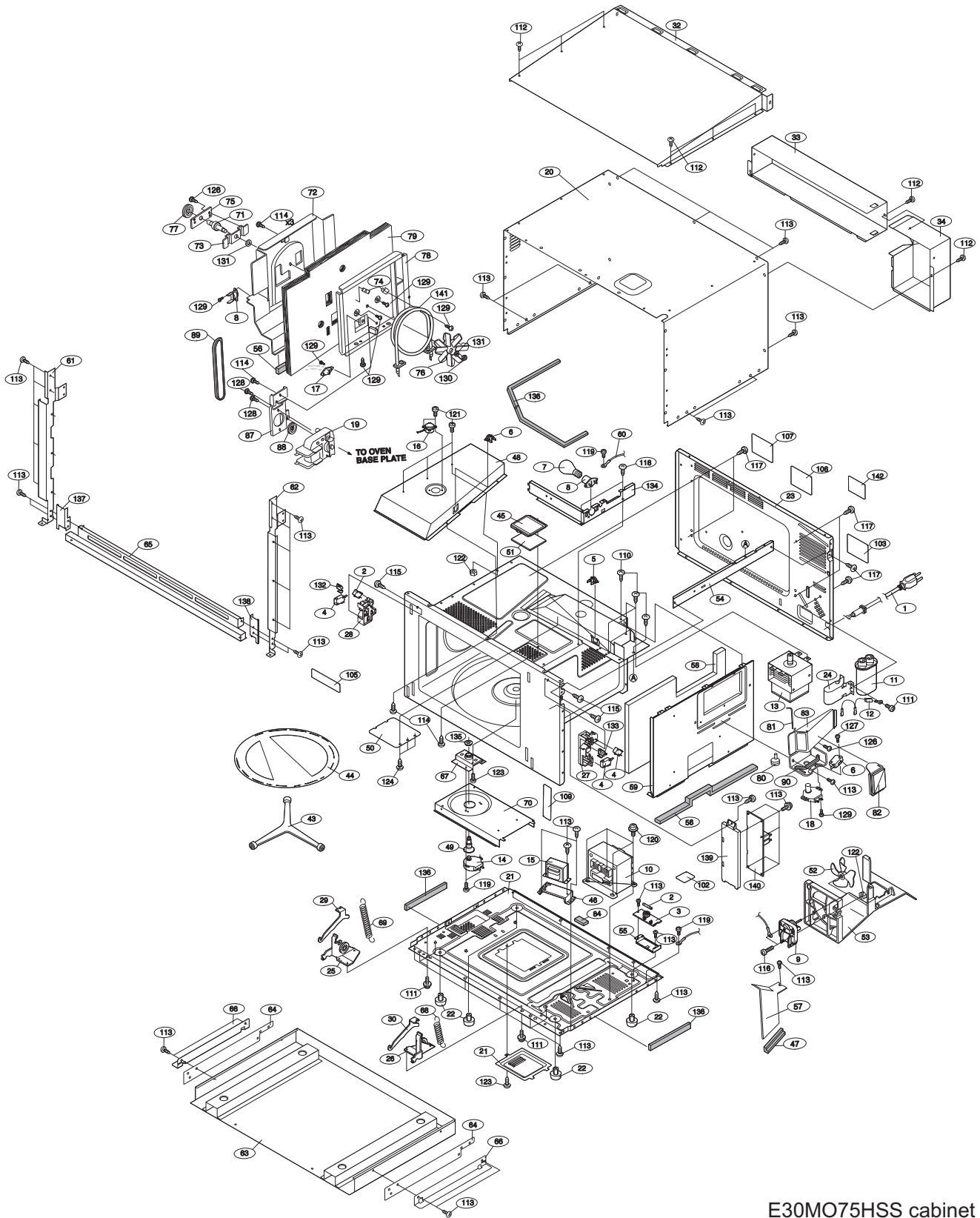
E30MO75HSS cabinet

OVEN,CABINET

Model Index: A E30MO75HP (E30MO75HPSA)
B E30MO75HS (E30MO75HSSA)

POS. NO	PART NO.		DESCRIPTION
1 #	75304470537	A B	Power Cord, electric
2 #	75304461109	A B	Assembly, fuse & switch, monitor
3 #	75304461110	A B	Filter, noise
4 #	75304440026	A B	Switch, interlock, door sensor
5 #	75304461113	A B	Thermal Cut-Out, magnetron
6 #	75304461114	A B	Thermal Cut-Out, convection/oven, (2)
7	75304464198	A B	Lamp, oven light
8 #	75304463785	A B	Lampholder, socket
9 #	75304461119	A B	Motor, fan
10 #	75304470538	A B	Transformer, power
11 #	75304470539	A B	Capacitor, high voltage
12 #	75304461122	A B	Rectifier, high voltage
13 #	75304470540	A B	Magnetron
14 #	75304461124	A B	Motor, turntable
15 #	75304470541	A B	Transformer, low voltage
16 #	75304461125	A B	Sensor Assembly, AH
17 #	75304461112	A B	Thermistor
18 #	75304461115	A B	Motor, damper
19 #	75304471782	A B	Motor, convection fan
20	75304470542	A B	Cabinet, outer casing
21	75304470734	A B	Base, chassis, w/motor cover
22	75304461127	A B	Foot, cabinet, (4)
23	75304470544	A B	Panel, cabinet back
24	75304461129	A B	Holder, capacitor
25	75304470545	A B	Hinge, oven door, left
26	75304470546	A B	Hinge, oven door, right
27	75304470547	A B	Latch Hook, right side
28	75304470548	A B	Latch Hook, left side
29	75304470549	A B	Cam, door, left
30	75304470550	A B	Cam, door, right
32	75304470552	A B	Cover, front
33	75304470553	A B	Duct, B
34	75304470554	A B	Duct, C
43	75304470562	A B	Support, turntable, with rollers
44	75304470563	A B	Tray, turntable, glass
45	75304461155	A B	Frame, light lens
46	75304470564	A B	Bracket, mounting, transformer
47	75304461157	A B	Cushion
48	75304461158	A B	Duct Assembly, steam release
49	75304451450	A B	Coupler, turntable/motor
50	75304461165	A B	Cover, waveguide
51	75304461167	A B	Lens, light
52 #	75304461173	A B	Blade, fan
53	75304461174	A B	Duct, cooling fan
54	75304461175	A B	Support, chassis
55	75304461178	A B	Angle, noise filter
56	75304461156	A B	Cushion
57	75304461181	A B	Guide, air, magnetron
58	75304461182	A B	Sheet, thermal, protection

OVEN, CABINET



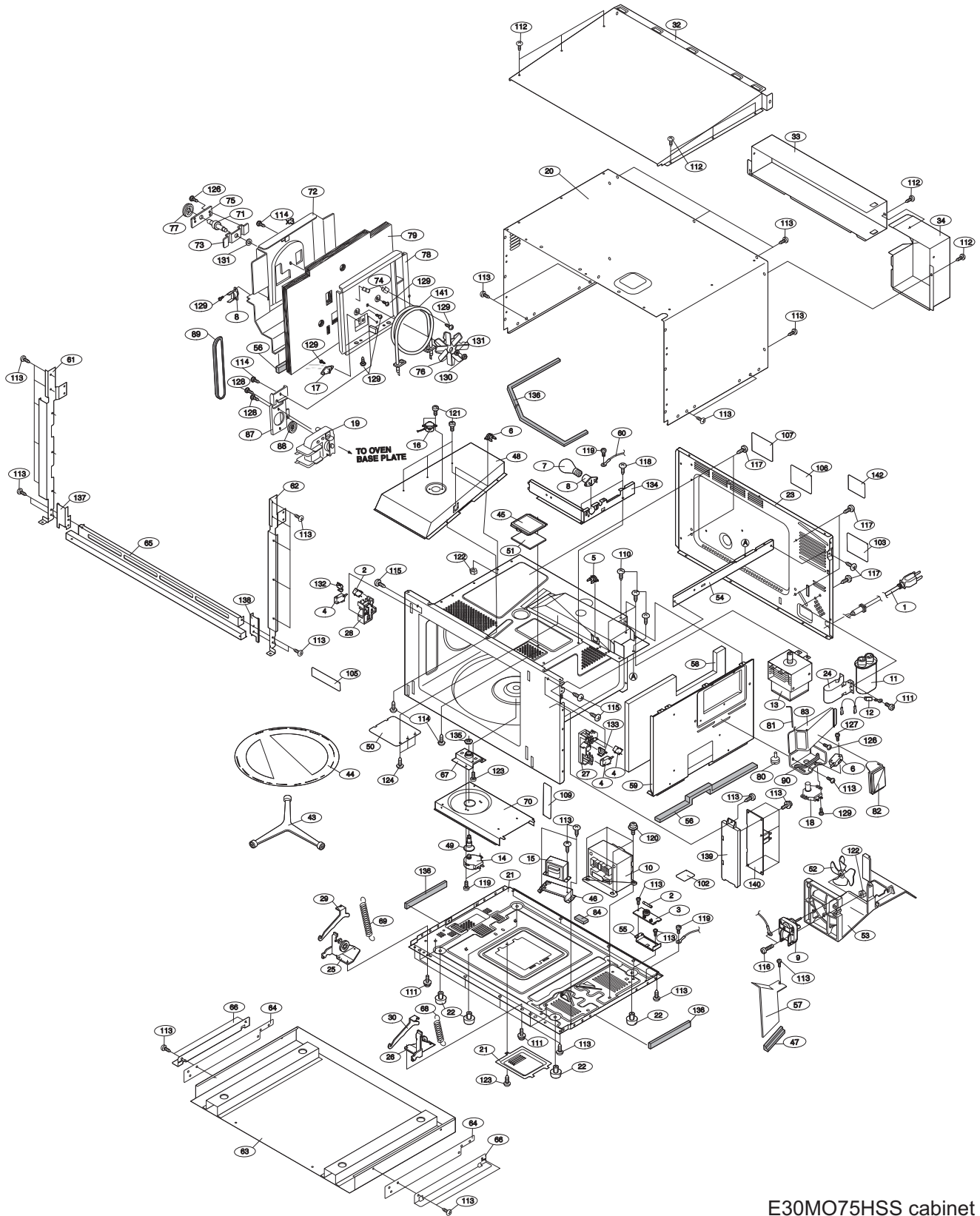
E30MO75HSS cabinet

OVEN,CABINET

Model Index: A E30MO75HP (E30MO75HPSA)
B E30MO75HS (E30MO75HSSA)

POS. NO	PART NO.		DESCRIPTION
59	75304461183	A B	Cover, thermal sheet, panel
60 #	75304461196	A B	Wiring Harness, thermistor
61	75304470565	A B	Trim, left side
62	75304470566	A B	Trim, right side
63	75304470569	A B	Duct, exhaust
64	75304470570	A B	Angle, bottom
65	75304470571	A B	Louver, inlet
66	75304470572	A B	Angle, shipping
67	75304451459	A B	Bracket, turntable mount
68	75304470573	A B	Spring, door, right side
69	75304470575	A B	Spring, door, left side
70	75304470576	A B	Insulator, thermal barrier
71	75304461146	A B	Bearing Assembly
72	75304461147	A B	Plate, thermal protect, LH
73	75304461148	A B	Plate, bearing mtg
74	75304461149	A B	Holder, element
75	75304461150	A B	Plate, bearing holder
76 #	75304461151	A B	Fan Blade, convection
77 #	75304471508	A B	Pulley, convection fan
78	75304471509	A B	Duct Assembly, heater
79	75304461154	A B	Sheet, thermal protect, LH
80	75304461159	A B	Cam, damper
81	75304461160	A B	Shaft, damper
82	75304461161	A B	Door Assembly, damper
83	75304461162	A B	Duct, damper
84	75304461163	A B	Cushion
87	75304461172	A B	Plate, motor mtg, convection
88 #	75304461152	A B	Pulley, motor, convection fan
89 #	75304461177	A B	Belt, convection fan
90	75304461179	A B	Cushion, damper duct
102	75304440334	A B	Label, Caution-monitor
103	75304465314	A B	Label, NHW caution
105	75304451534	A B	Label, User Caution, French
106	75304470585	A B	Label, height caution
107	75304440333	A B	Label, Caution-DHHS
109	75304471514	A B	Label, menu
110	75303319636	A B	Screw
111	75304451550	A B	Screw, 4 mm x 8 mm
112	75304451552	A B	Screw, 4 mm x 8 mm, white
113	75304451553	A B	Screw, 4 mm x 12 mm
114	75304461203	A B	Screw, 4mm x 10mm, (14)
115	75303319641	A B	Screw
116	75304461209	A B	Screw, 4mm x 25mm, (2)
117	75304470587	A B	Screw
118	75304461215	A B	Screw, 4mm x 8mm, (6)
119	75304470588	A B	Screw
120	75304461221	A B	Screw, 6mm x 14mm, (2)
121	75304470589	A B	Screw
122	75304470590	A B	Nut, special
123	75304450253	A B	Screw, 4 mm x 8 mm
124	75304461210	A B	Screw, 4mm x 6mm, (7)

OVEN, CABINET



E30MO75HSS cabinet

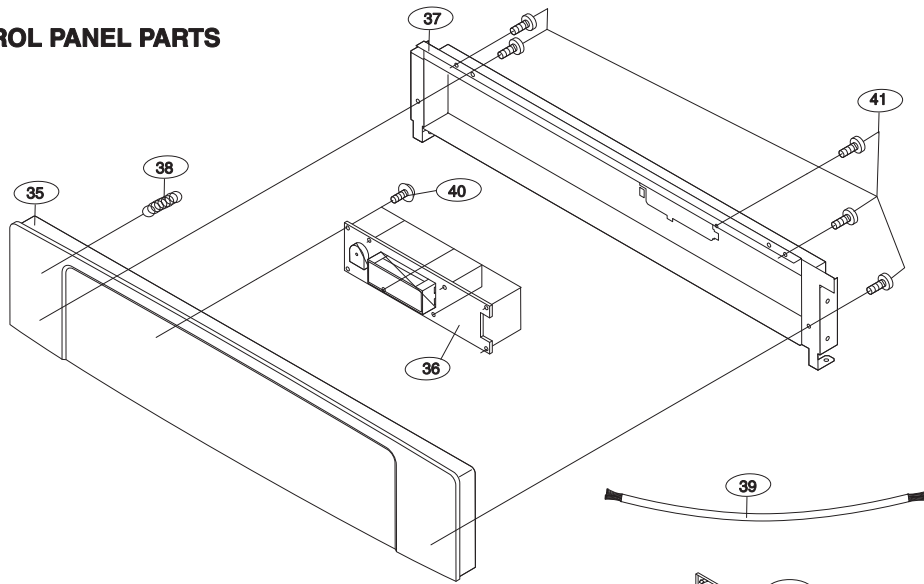
OVEN,CABINET

Model Index: A E30MO75HP (E30MO75HPSA)
 B E30MO75HS (E30MO75HSSA)

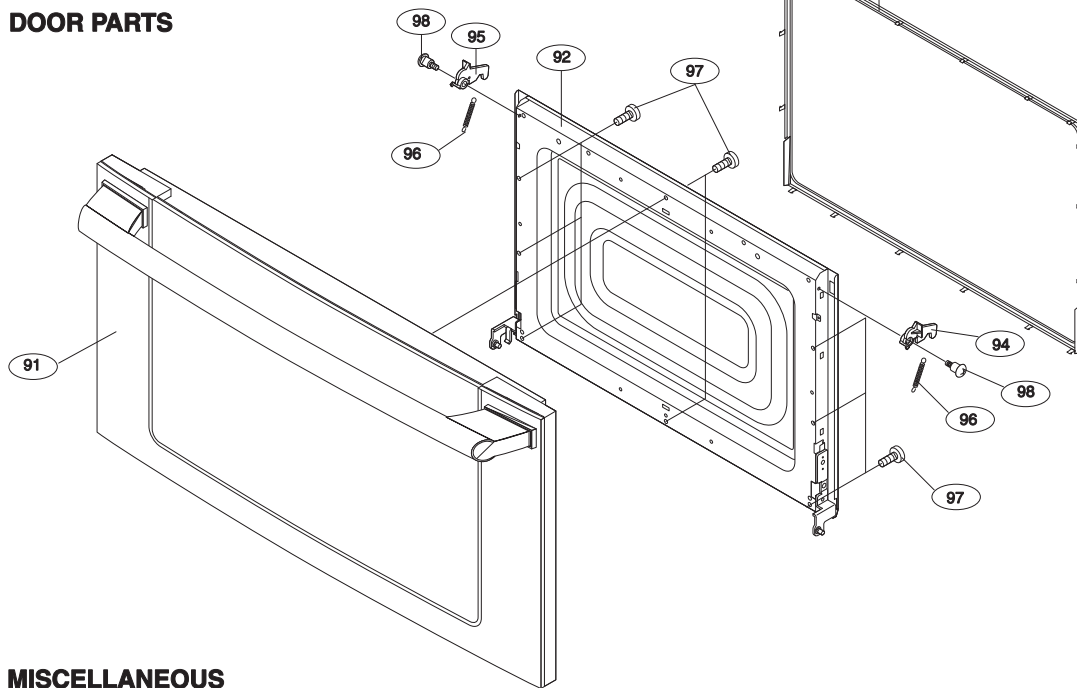
POS. NO	PART NO.		DESCRIPTION
126	75304461204	A B	Screw, 4mm x 8mm, (2)
127	75304461208	A B	Screw, 3mm x 14mm
128	75304471515	A B	Screw
129	75304461216	A B	Screw, 3mm x 6mm
130	75304451547	A B	Nut, element, 4 mm x 3.2 mm, (4)
131	75304461214	A B	Washer
132	75304470591	A B	Lever, switch actuator, left
133	75304470592	A B	Lever, switch actuator, right
134	75304461171	A B	Guide, air, RH
135	75304451470	A B	Packing, silicon
136	75304461166	A B	Cushion, (4)
137	75304470593	A B	Trim, decorative, left side
138	75304470594	A B	Trim, decorative, right side
139	75304470735	A B	Holder, power board
140#	75304470596	A B	Power Board, printed circuit
141#	75304461120	A B	Element, heating, convection
142	75304471516	A B	Label, height caution

CONTROL PANEL, DOOR, MISC.

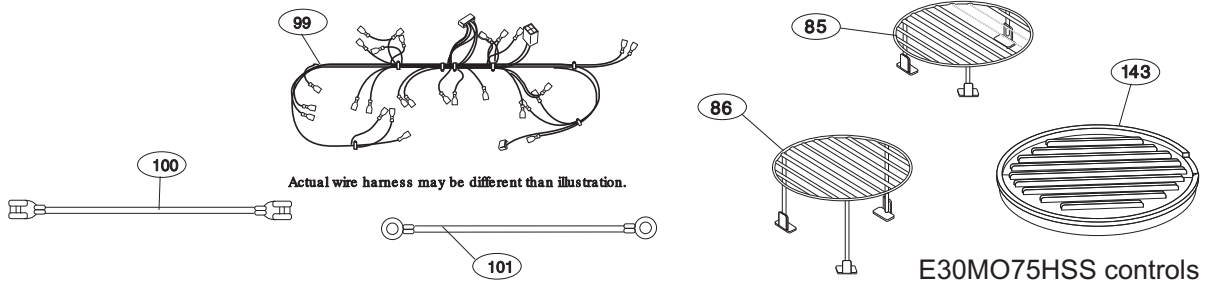
CONTROL PANEL PARTS



DOOR PARTS



MISCELLANEOUS



Actual wire harness may be different than illustration.

E30MO75HSS controls

CONTROL PANEL,DOOR,MISC.

Model Index: A E30MO75HP (E30MO75HPSA)
B E30MO75HS (E30MO75HSSA)

POS. NO	PART NO.		DESCRIPTION
35 #	75304471507	A -	Touch Control, Professional
35 #	75304471506	- B	Touch Control, Designer
36 #	75304470557	A B	Display Board, CPU
37	75304470558	A B	Bracket, control mount
38	75304470560	A B	Spring, grounding
39 #	75304470561	A B	Wiring Harness, power supply
40	75304456930	A B	Screw, 3 mm x 10 mm
41	75304451517	A B	Screw, 4 mm x 8 mm
85	75304461194	A B	Rack Assembly, broiling trivit, low
86	75304461195	A B	Rack Assembly, baking, high
91	75304471511	A -	Door, outer, Pro handle
91	75304471510	- B	Door, outer, Designer handle
92	75304471512	A B	Panel, inner door
93	75304470579	A B	Frame, inner door, choke cover
94	75304470580	A B	Latch Head, right side
95	75304470581	A B	Latch Head, left side
96	75304470582	A B	Spring, latch head
97	75304451561	A B	Screw, 4 mm x 8 mm
98	75304470583	A B	Screw
99 #	75304471513	A B	Wiring Harness, main
100#	75304461198	A B	Wire, high voltage, B
101#	75304461199	A B	Wire, ground, cooling fan
143	75304461261	A B	Rack, bacon

WIRING SCHEMATIC

SCHEMATIC
 NOTE: CONDITION OF OVEN
 1. DOOR CLOSED.
 2. CLOCK APPEARS ON DISPLAY.

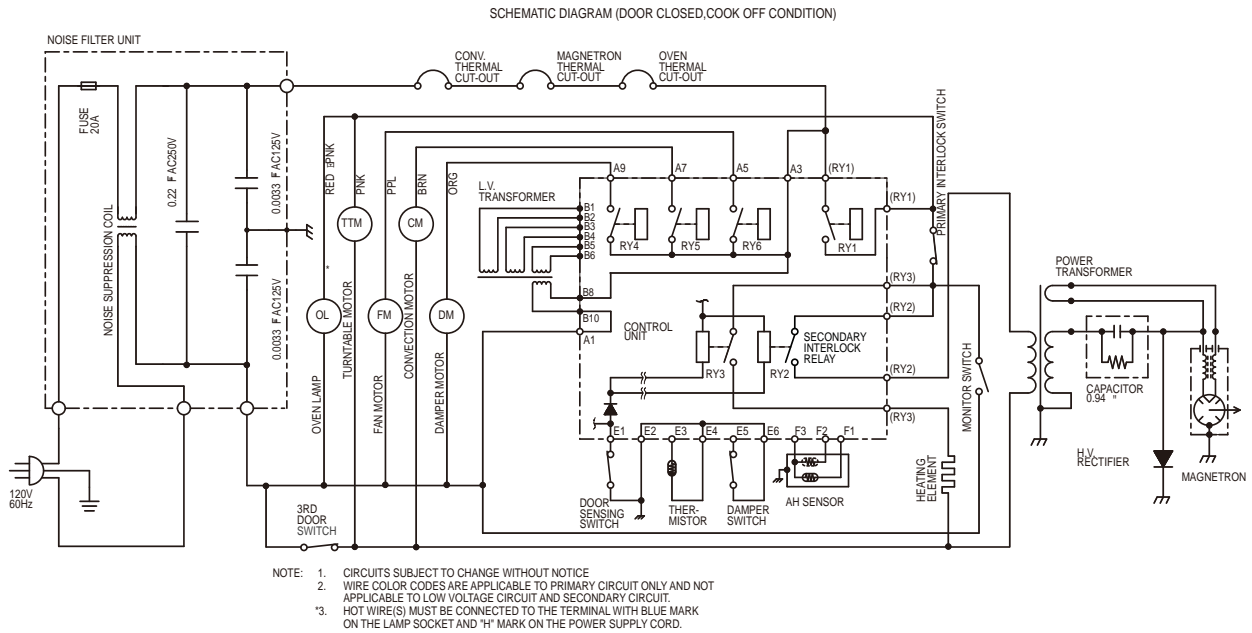


Figure O-1. Oven Schematic-OFF Condition

SCHEMATIC
 NOTE: CONDITION OF OVEN
 1. DOOR CLOSED.
 2. COOKING TIME PROGRAMMED.
 3. "START" PAD TOUCHED.

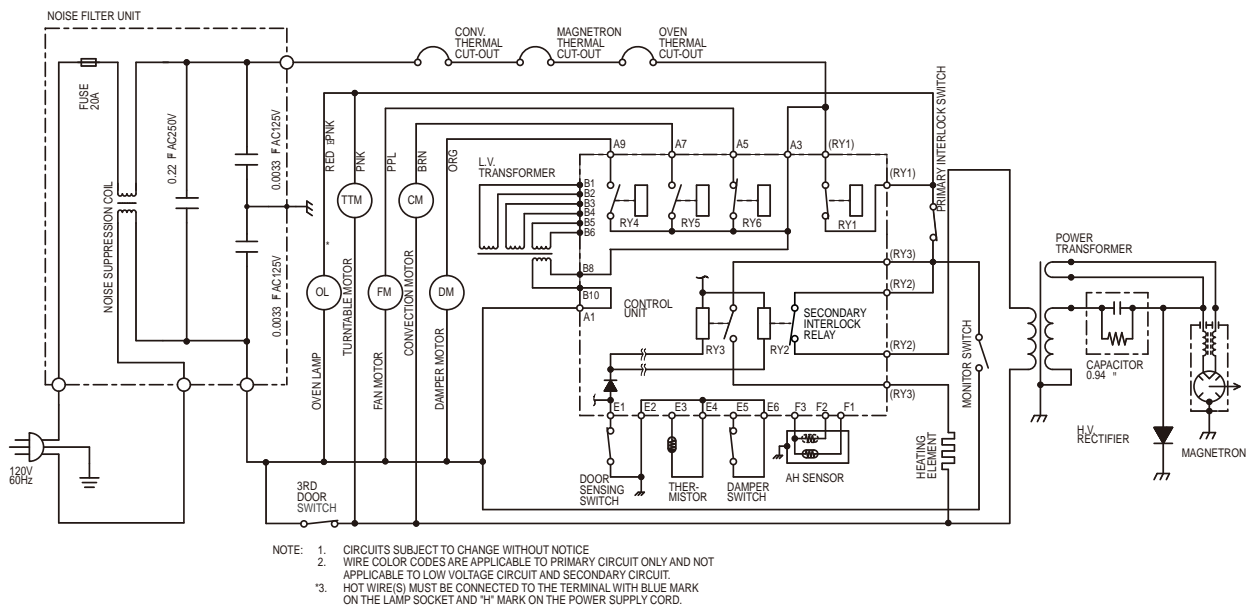


Figure O-2. Oven Schematic-Microwave Cooking Condition