

# Electrolux

## Factory Parts Catalog

Product No.	E30MH65GPSA	E30MH65GSSA
Market	North America	North America
Color	stainless steel	stainless steel
Volts	120	120
Watts	950	950
Wiring Diagram	5995509949	5995509949
Owner's Guide	316488528	316488528
Installation Instructions	316488518	316488518



Electrolux Major Appliances  
North & Latin America  
P.O. BOX 212378  
AUGUSTA, GA 30917

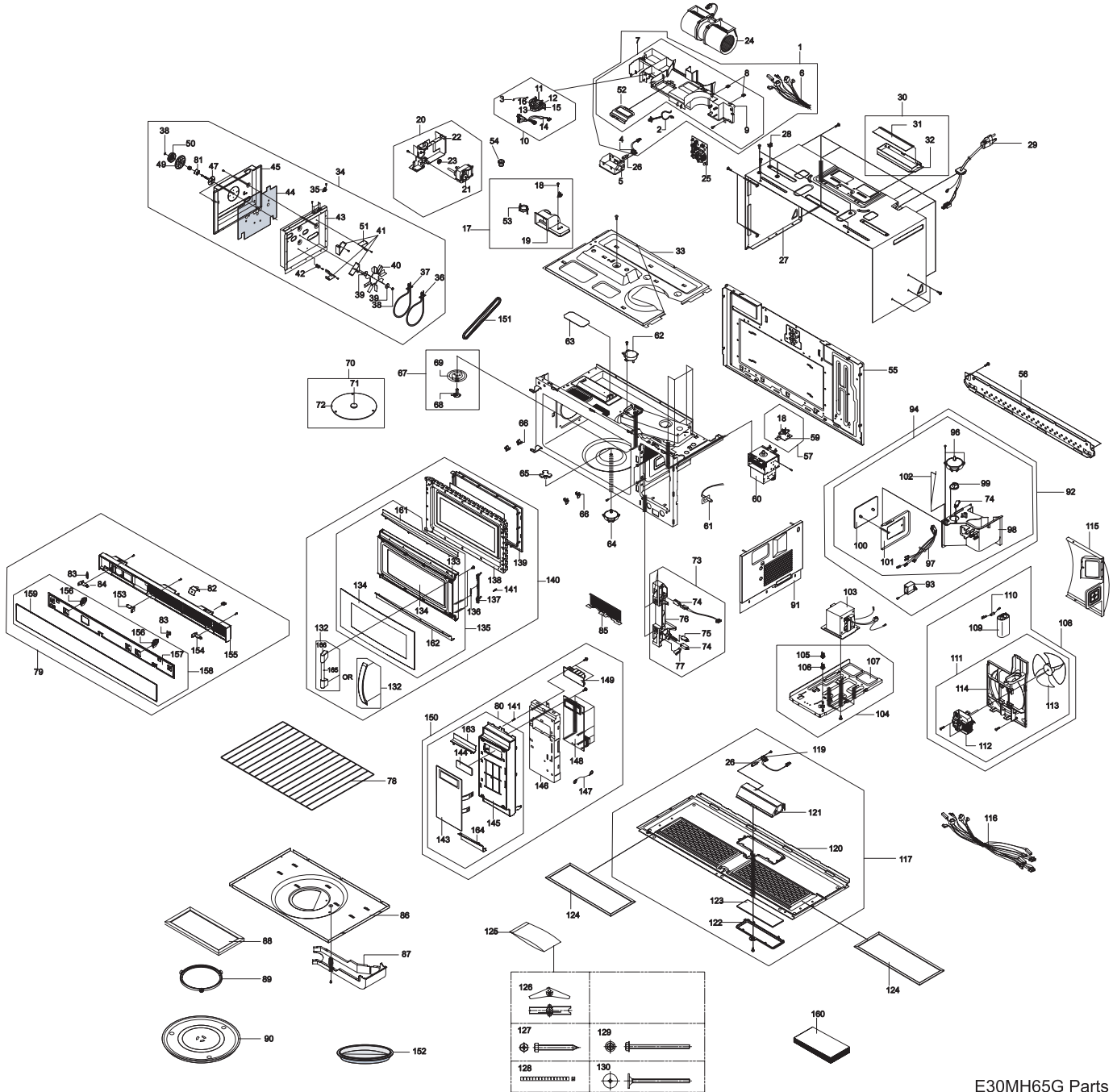
Publication No.  
**5995509949**  
08/03/24  
(EN/SERVICE/KC)  
099

**OVER-RANGE  
MICROWAVE**

Model No.  
E30MH65GP /  
E30MH65GS

Copyright © 2008 Electrolux Home Products, Inc.  
All rights reserved.

RECOMMENDED SPARE PARTS

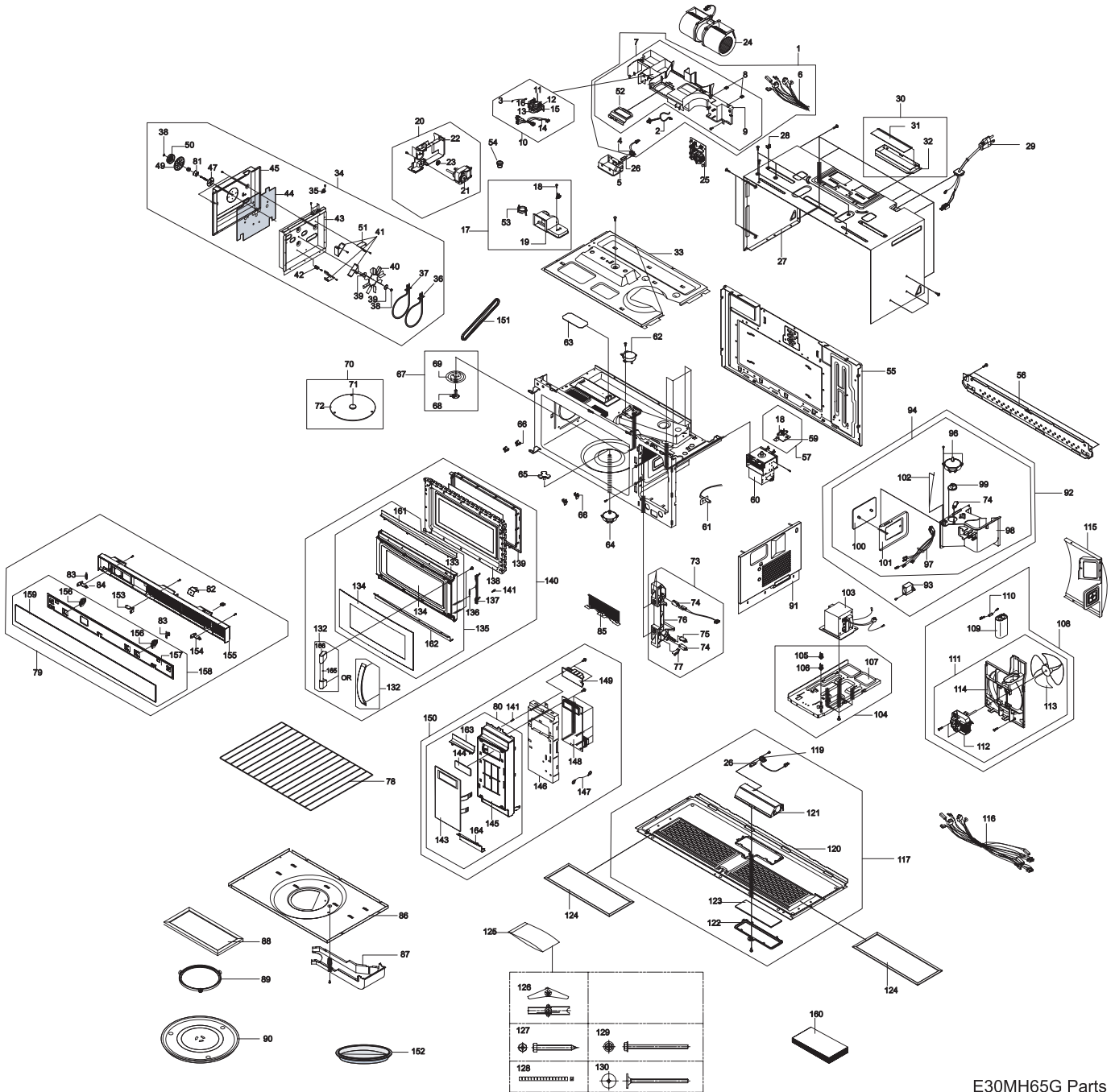


E30MH65G Parts

**RECOMMENDED SPARE PARTS**

		<i>Model Index:</i>		
		A E30MH65GP (E30MH65GPSA)		
		B E30MH65GS (E30MH65GSSA)		
POS. NO	PART NO.			DESCRIPTION
1	75304457596	A	B	Duct Assembly, air, upper
2	75304457597	A	B	Clamp, cable
3 #	75304457598	A	B	Wire, CBF lead
4 #	75304457599	A	B	Holder, lamp socket
5	75304457790	A	B	Bracket, lamp housing
6 #	75304456187	A	B	Wiring Harness, sensor
7	75304457601	A	B	Duct, air, upper, with bracket
8	75304457602	A	B	Nut, mounting, duct
9	75304457603	A	B	Duct, air, upper
10 #	75304457604	A	B	Cam Assembly, louver
11 #	75304457605	A	B	Switch, micro
12 #	75304457606	A	B	Switch, micro
13 #	75304457607	A	B	Motor, drive, louver cam
14 #	75304457608	A	B	Wiring Harness, louver cam
15	75304457609	A	B	Bracket, cam plate
16 #	75304457610	A	B	Cam, louver
17 #	75304457611	A	B	Duct Assembly, exhaust
18 #	75304456106	A	B	Thermostat
19	75304457612	A	B	Duct, exhaust
20 #	75304457613	A	B	Air Guide Assy, heater, w/motor
21 #	75304457614	A	B	Motor, convection fan
22	75304457791	A	B	Guide, heater air, duct
23 #	75304457615	A	B	Pulley, fan motor
24 #	75304457616	A	B	Motor, ventilation
25 #	75304456082	A	B	Filter, noise
26	75304457617	A	B	Lamp, halogen
27	75304457618	A	B	Cabinet, outer casing
28	75304456122	A	B	Nut, holder assembly, (2)
29 #	75304456128	A	B	Power Cord, electric
30	75304457619	A	B	Damper Assembly, hood
31	75304457620	A	B	Cover, damper
32	75304456126	A	B	Damper, main
33	75304457621	A	B	Cover, top panel, insulator
34 #	75304465226	A	B	Fan Assembly, convection
35 #	75304457623	A	B	Thermostat
36 #	75304457624	A	B	Heater, convection, 900 Watt
37 #	75304457625	A	B	Heater, convection, 700 Watt
38	75304457626	A	B	Nut, hex flange
39	75304457627	A	B	Washer
40 #	75304457628	A	B	Fan Blade, convection
41	75304457629	A	B	Bracket, air guide
42	75304457630	A	B	Holder, heater
43	75304457792	A	B	Bracket, fan housing
44	75304457631	A	B	Insulator, fan housing
45	75304457632	A	B	Cover, fan housing
47	75304465228	A	B	Spacer, fan bearing
49	75304457635	A	B	Holder, fan bearing
50 #	75304457636	A	B	Pulley, fan
51	75304457637	A	B	Bracket, air guide
52	75304457638	A	B	Bracket, upper duct
53	75304456186	A	B	Holder, sensor
54 #	75304456185	A	B	Sensor, gas
55	75304457640	A	B	Panel, back
56	75304456129	A	B	Plate, mounting

RECOMMENDED SPARE PARTS

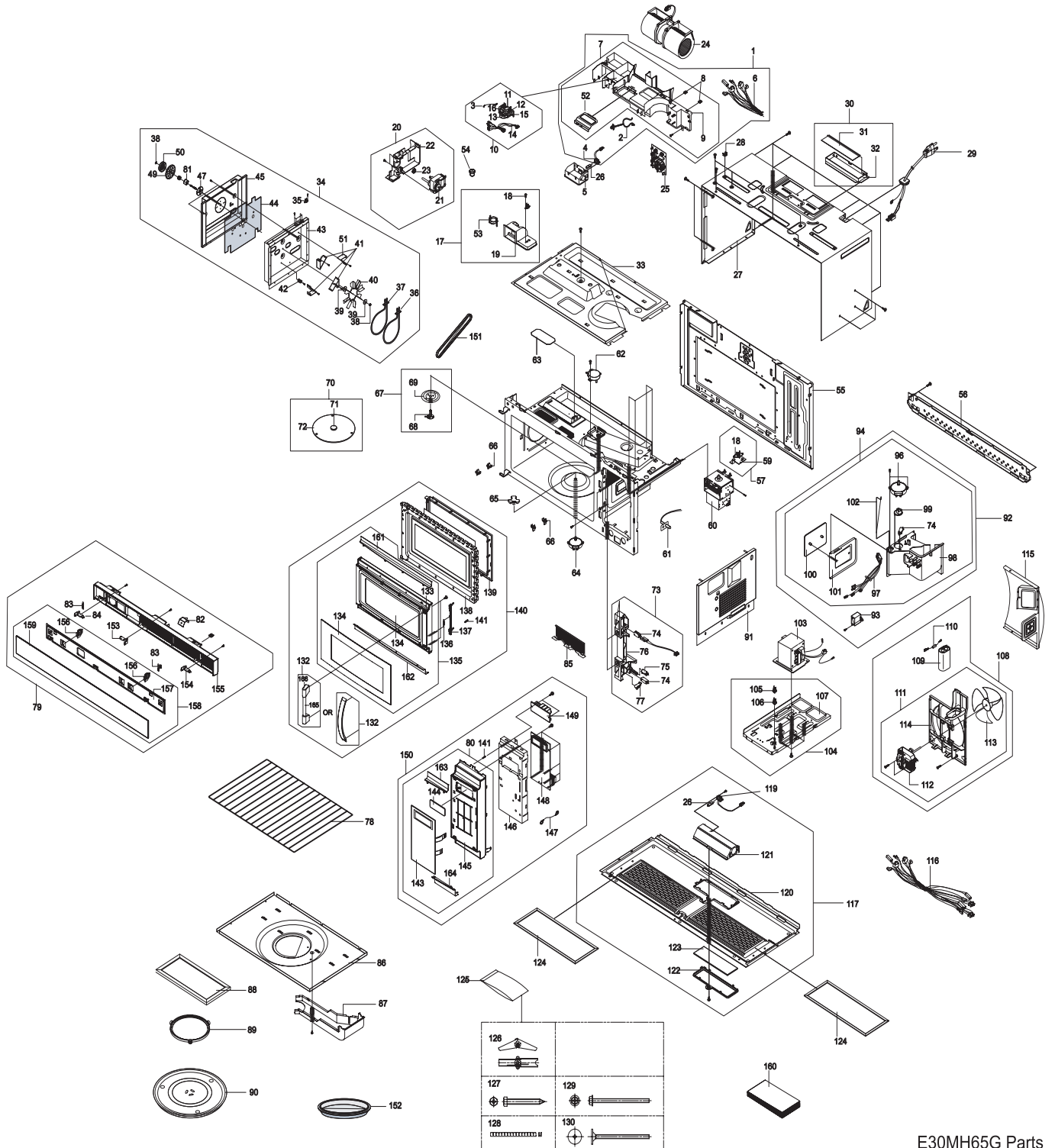


E30MH65G Parts

**RECOMMENDED SPARE PARTS**

		<i>Model Index:</i>		
		A E30MH65GP (E30MH65GPSA)		
		B E30MH65GS (E30MH65GSSA)		
POS. NO	PART NO.			DESCRIPTION
57 #	75304457641	A	B	Thermostat Assembly
59	75304457793	A	B	Bracket, mounting, thermostat
60 #	75304456105	A	B	Magnetron Assembly
61 #	75304457642	A	B	Sensor, thermistor
62 #	75304456184	A	B	Motor, synchronous
63	75304457643	A	B	Lens, lamp cover, glass
64 #	75304456175	A	B	Motor, drive
65	75304457644	A	B	Coupler, motor/turntable
66	75304457645	A	B	Support, rack
67 #	75304457646	A	B	Stirrer Assembly
68	75304456143	A	B	Holder, stirrer
69 #	75304457647	A	B	Fan Blade, stirrer
70	75304457648	A	B	Cover Assembly, stirrer
71	75304457649	A	B	Support, stirrer
72	75304457650	A	B	Cover, stirrer
73 #	75304465053	A	B	Latch Assembly
74 #	75304456100	A	B	Switch, micro, (2)
75 #	75304456101	A	B	Switch, micro
76	75304457652	A	B	Latch Body
77	75304456099	A	B	Lever, switch, lower
78	75304457653	A	B	Rack, wire
79	75304465229	A	B	Grille Assembly, front
80 #	75304465230	A	B	Control Panel Assy, w/touch pad
81	75304465231	A	B	Housing, fan bearing
82	75304457655	A	B	Clip, ground, grille
83	75304465232	A	B	Spring, louver
84	75304457657	A	B	Hinge, grille, left
85	75304457658	A	B	Cover, front
86	75304457659	A	B	Cover, lower plate, insulator
87	75304457660	A	B	Air Guide, bottom
88 #	75304456397	A	B	Filter, air, charcoal
89	75304457661	A	B	Guide, turntable, with rollers
90	75304456198	A	B	Tray, turntable
91	75304457662	A	B	Cover, right side, insulator
92 #	75304457663	A	B	Air Guide Assy, w/capacitor
93 #	75304456068	A	B	Capacitor, motor
94 #	75304457664	A	B	Air Guide Assembly
96 #	75304457665	A	B	Motor, synchronous
97 #	75304457666	A	B	Wiring Harness, B
98	75304457667	A	B	Air Guide
99 #	75304457668	A	B	Cam, motor
100	75304457669	A	B	Damper, gasket
101	75304457794	A	B	Damper, door, swing
102	75304457795	A	B	Rod, damper
103#	75304456193	A	B	Transformer, high voltage
104#	75304457671	A	B	Base Assembly, w/thermostats
105#	75304456112	A	B	Thermostat, 40-70 C, LH lwr
106#	75304456139	A	B	Thermostat, RH, lower
107	75304457672	A	B	Plate, base
108#	75304457673	A	B	Fan/Motor Assembly, complete
109#	75304456177	A	B	Capacitor, oil

### RECOMMENDED SPARE PARTS



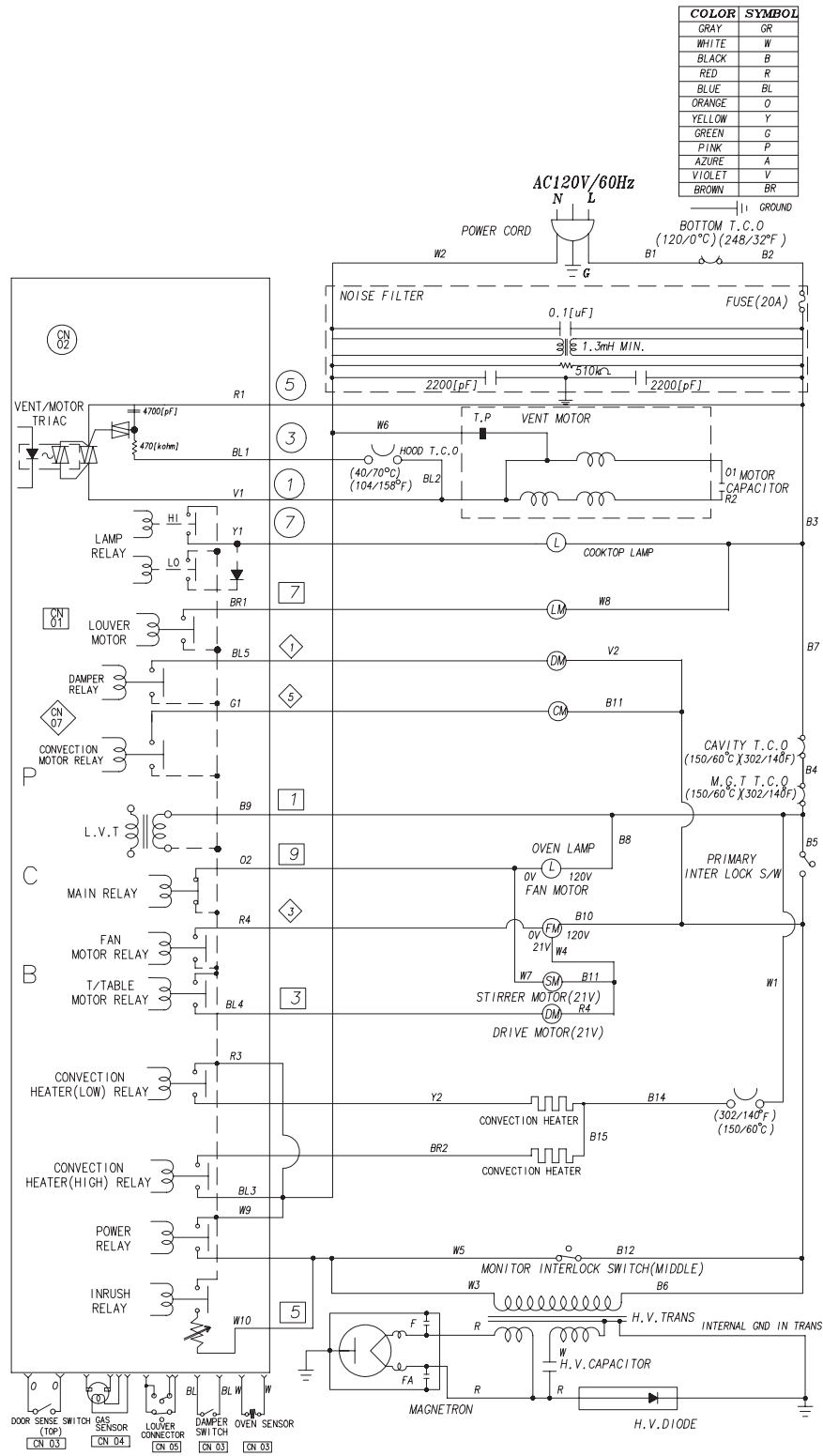
E30MH65G Parts

**RECOMMENDED SPARE PARTS**

*Model Index:* A E30MH65GP (E30MH65GP5A)  
B E30MH65GS (E30MH65GSSA)

POS. NO	PART NO.		DESCRIPTION
110#	75304456178	A B	Diode, high voltage
111#	75304457674	A B	Fan Motor Assy, w/cover, blade
112#	75304457675	A B	Motor, fan
113#	75304456213	A B	Fan Blade
114	75304457676	A B	Cover, fan motor
115	75304465233	A B	Bracket, rear
116#	75304457678	A B	Wiring Harness, A
117#	75304457679	A B	Base Assembly, with lamp
119#	75304457680	A B	Holder, lamp socket
120	75304465234	A B	Base Plate, panel, bottom
121	75304457682	A B	Bracket, lamp housing, bottom
122	75304457683	A B	Frame, lens holder
123	75304457684	A B	Lens, cooktop lamp, glass
124#	75304465235	A B	Filter, air
125	75304457685	A B	Hardware, installation, kit
126	75304456134	A B	Nut, toggle, (3)
127	75304456135	A B	Screw, machine, inch
128	75304456137	A B	Grommet, (2)
129	75304456136	A B	Bolt, toggle, (3)
130	75304456138	A B	Bolt, flat head, (3)
132	75304465252	A -	Handle Assembly, door, Pro
132*	75304465834	A -	Badge, nameplate, Pro
132	75304465833	- B	Handle, door, Designer
133	75304465253	A B	Frame, outer door
134	75304465254	A B	Panel, door screen, glass
135	75304465255	A B	Panel Assy, outer door
136	75304456102	A B	Spring, latch
137	75304457690	A B	Latch, door
138	75304457691	A B	Panel, inner door
139	75304457692	A B	Frame, inner door, choke cover
140#	75304465256	A B	Door Assy, Pro, w/handle
141	75304465257	A B	Spring
143#	75304465258	A B	Touch Control, key pad, membrane
144	75304465259	A B	Window, control display
145	75304465260	A B	Frame, control panel
146	75304465261	A B	Bracket, control mount
147#	75304457698	A B	Wiring Harness, controls
148	75304457699	A B	Housing, control board
149#	75304457700	A B	Control Board, printed circuit
150#	75304465262	A B	Control Assembly, complete
151#	75304463494	A B	Belt, convection fan, rubber
152	75304457702	A B	Tray, turntable, convection
153	75304457703	A B	Hinge, grille, middle
154	75304457704	A B	Hinge, grille, right
155	75304465263	A B	Grille, front
156	75304457706	A B	Bracket, barrier, spacer
157	75304465265	A B	Bracket, cover mount, grille
158	75304465266	A B	Cover Assembly, grille front
159	75304465267	A B	Panel, grille cover, front
160	75304465268	A B	Cook Book
161	75304465269	A B	Trim, door, upper
162	75304465270	A B	Trim, door, lower
163	75304465271	A B	Trim, control panel, upper
164	75304465272	A B	Trim, control panel, lower
165	75304465273	A -	Bar, handle tube
166	75304465274	A -	End Cap, handle

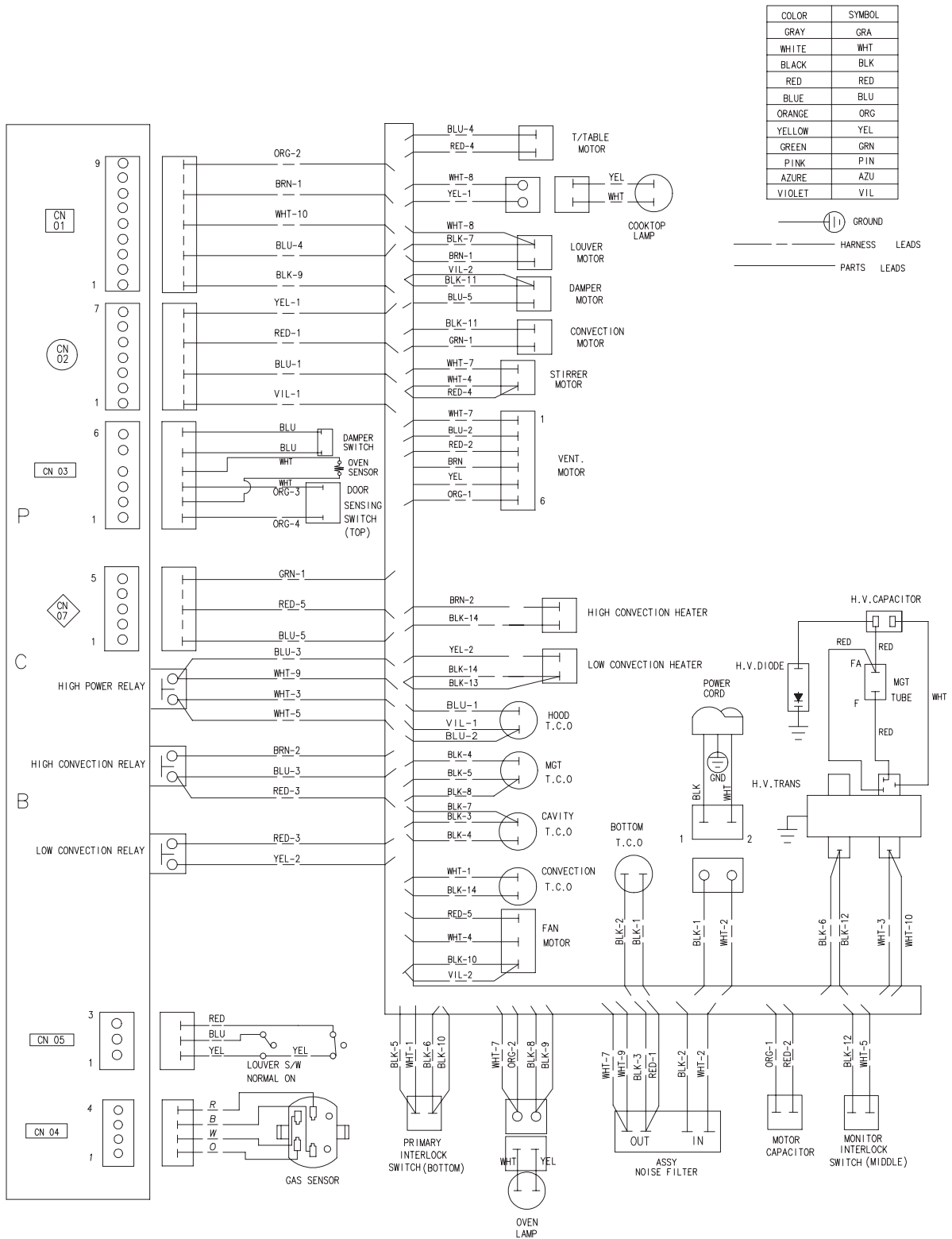
WIRING SCHEMATIC



NOTE: Door is open.



**WIRING SCHEMATIC**



**NOTE: For Servicing replacement use 16GA, 105°C thermoplastic covered wire except for high voltage leads or as noted on special leads.**