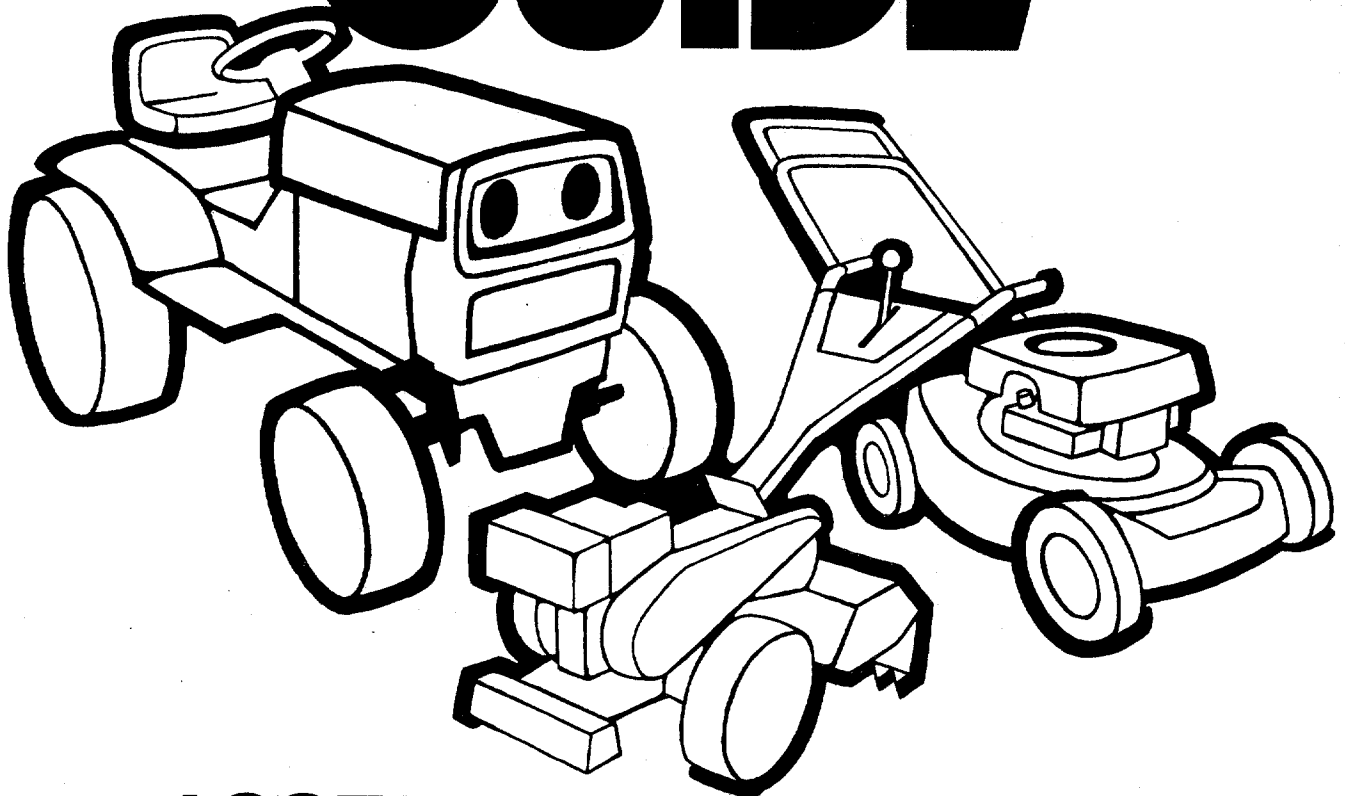


# OWNER'S GUIDE



**ASSEMBLY  
OPERATION  
MAINTENANCE  
PARTS LIST**

**IMPORTANT:  
Read Safety Rules  
and Instructions**

**MODEL NUMBERS**

**110-329A**

**110-329-300**

**22"**

**REAR  
DISCHARGE  
ROTARY  
MOWERS**

# INDEX

Safe Operation Practices.....	3	Handle Storage.....	13
Assembly Instructions.....	4	Off-Season Storage.....	13
Operation.....	8	Exploded Parts View.....	16
Adjustments.....	9	Repair Parts List.....	17
Lubrication.....	11	Parts Information.....	Back Cover
Maintenance.....	11		

## LIMITED WARRANTY

For one year from the date of original retail purchase, MTD PRODUCTS INC will either repair or replace, at its option, free of charge, F.O.B. factory or authorized service firm, any part or parts found to be defective in material or workmanship. Transportation charges for any parts submitted for replacement under this warranty must be paid by the purchaser unless such return is requested by MTD PRODUCTS INC.

This warranty will not apply to any part which has become inoperative due to misuse, excessive use, accident, neglect, improper maintenance, alterations, or unless the unit has been operated and maintained in accordance with the instructions furnished. This warranty does not apply to the engine, motor, battery, battery charger or component parts thereof. Please refer to the applicable manufacturer's warranty on these items.

This warranty will not apply where the unit has been used commercially.

Warranty service is available through your local authorized service dealer or distributor. If you do not know the dealer or distributor in your area, please write to the Customer Service Department of MTD.

The return of a complete unit will not be accepted by the factory unless prior written permission has been extended by MTD.

This warranty gives you specific legal rights. You may also have other rights which vary from state to state.



**WARNING**

### TO PURCHASERS OF INTERNAL COMBUSTION ENGINE EQUIPPED MACHINERY OR DEVICES IN THE STATE OF CALIFORNIA

The equipment which you have just purchased does not have a spark arrester. If this equipment is used on any forest covered land, brush covered land, or grass covered unimproved land in the State of California, before using on such land, the California law requires that a spark arrester be provided. In addition, spark arrester is required by law to be in effective working order. The spark arrester must be attached to the exhaust system and comply with Section 4442 of the California Public Resources Code.

# IMPORTANT

It is suggested that this manual be read in its entirety before attempting to assemble or operate. Keep this manual in a safe place for future reference and for ordering replacement parts.

This unit is shipped WITHOUT GASOLINE or OIL. See operating section of this manual for proper fuel and engine oil recommendations.

Your rotary mower is a precision piece of power equipment, not a plaything. Therefore, exercise extreme caution at all times.

## SAFE OPERATION PRACTICES FOR WALK-BEHIND MOWERS

### TRAINING

1. Read the Operating and Service Owner's Manual carefully. Be thoroughly familiar with the controls and the proper use of the equipment.
2. Never allow children to operate a power mower. Only persons well acquainted with these rules of safe operation should be allowed to use your mower.
3. Keep the area of operation clear of all persons, particularly small children and pets. Stop engine when they are in the vicinity of your mower. Although the area of operation should be completely cleared of foreign objects, a small object may have been overlooked and could be accidentally thrown by the mower in any direction.

### PREPARATION

1. Thoroughly inspect the area where the equipment is to be used. Remove all stones, sticks, wire, bones and other foreign objects which could be picked up and thrown by the mower in any direction.
2. Do not operate equipment when barefoot or wearing open sandals. Always wear substantial footwear.
3. Do not wear loose fitting clothing that could get caught on the mower.
4. Check the fuel before starting the engine. Do not fill the gasoline tank indoors, when the engine is running, or while the engine is still hot. Wipe off any spilled gasoline before starting the engine.
5. Disengage the self-propelled mechanism or drive clutch on units so equipped before starting the engine.
6. Never attempt to make a wheel or cutting height adjustment while the engine is running.
7. Mow only in daylight or in good artificial light.
8. Never operate the equipment in wet grass. Always be sure of your footing. Keep a firm hold on the handle and walk, never run.

### OPERATION

1. Do not change the engine governor settings or overspeed the engine. Excessive engine speeds are dangerous.
2. Do not put hands or feet near or under rotating parts. Keep clear of the discharge opening at all times.
3. Stop the blade(s) when crossing gravel drives, walks or roads.
4. After striking a foreign object, stop the engine, remove the wire from the spark plug, and thoroughly inspect the mower for any

damage. Repair the damage before restarting and operating the mower.

5. If the equipment should start to vibrate abnormally, stop the engine and check immediately for the cause. Vibration is generally a warning of trouble.
6. Stop the engine whenever you leave the mower, before cleaning the mower housing, and when making any repairs or inspections.
7. When cleaning, repairing or inspecting, make certain the blade and all moving parts have stopped. Disconnect the spark plug wire, and keep the wire away from the plug to prevent accidental starting.
8. Before attempting to unclog the mower or discharge chute, stop the engine and be sure the blade(s) have stopped completely. Disconnect the spark plug wire and keep the wire away from the plug to prevent accidental starting.
9. Do not run the engine indoors.
10. Shut the engine off and wait until the blade comes to a complete stop before removing the grass catcher or unclogging chute.
11. Mow across the face of slopes, never up-and-down. Exercise extreme caution when changing direction on slopes. Do not mow excessively steep slopes.
12. Always disconnect electric mowers (line operated) before cleaning, repairing or adjusting.
13. Never operate mower without proper guards, plates or other safety protective devices in place.
14. Keep washout ports and other mower-housing service openings closed when mowing.
15. **DO NOT OPERATE** this mower with the chute doors open, unless the complete grass catcher is properly mounted on the mower.

### MAINTENANCE AND STORAGE

1. Check the blade and engine mounting bolts at frequent intervals for proper tightness.
2. Keep all nuts, bolts, and screws tight to be sure the equipment is in safe working condition.
3. Never store the equipment with gasoline in the tank inside of a building where fumes may reach an open flame or spark. Allow the engine to cool before storing in any enclosure.
4. To reduce fire hazard, keep the engine free of grass, leaves, or excessive grease.
5. Check the grass catcher bag frequently for wear or deterioration. For safety protection replace only with new bag meeting original equipment specifications.

# ASSEMBLY INSTRUCTIONS

## Contents of Hardware Pack

- A (2) Hand Knobs
- B (2) Curved Carriage Bolts 5/16-18 x 1.75" Long
- ← C (1) Hex Bolt 1/4-20 x 1.50" Long
- D (1) Hex Center Lock Nut 1/4-20 Thd.
- E (2) Hairpin Cotters
- F (2) Cable Ties

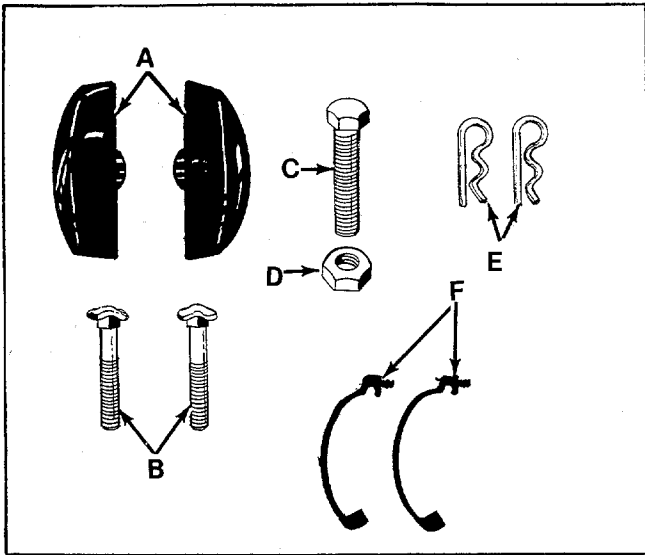


FIGURE 1.

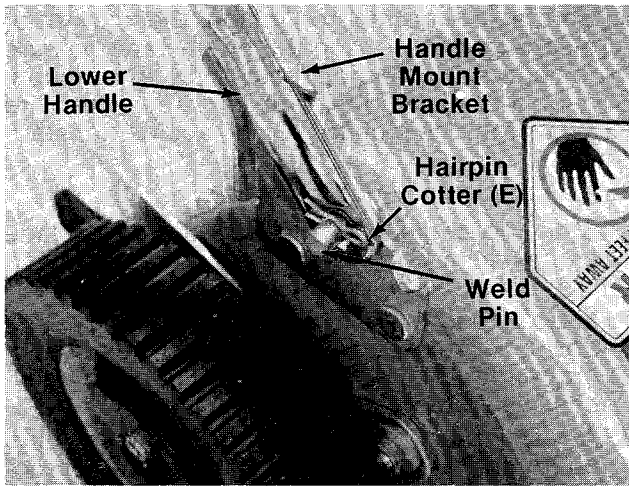


FIGURE 2.

1. Remove the lawn mower, loose parts, hardware pack and literature from the carton. Make certain all parts and literature have been removed before the carton is discarded.
2. Extend the throttle control which is attached to the mower and place on the floor. Be careful not to bend or kink control wire.
- ← 3. Place lower handle in position over weld pins in handle mount brackets on deck. Secure by placing two hairpin cotters (E) in inner hole on weld pins. See figure 2.

### NOTE

It may be necessary to bend the ends of the lower handle inward slightly to assure a snug fit against the bracket mounting area.

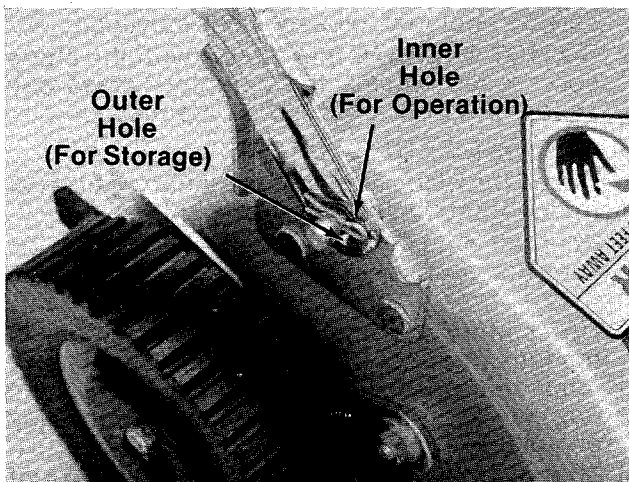


FIGURE 3.

### NOTE

← There are two (2) holes in the handle mount brackets. Place hairpin cotter in the inner hole for operation. The outer hole is for storage. See figure 3.

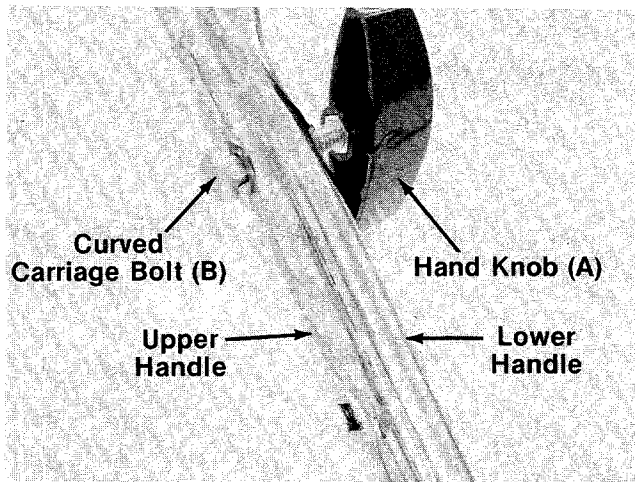


FIGURE 4.

4. There are two height positions for the handle. Place upper handle in position over lower handle, selecting hole for either high or low position. Refer to figure 18.
- ← Secure with two curved carriage bolts (B) and handle knobs (A) as shown in figure 4. The knobs can be either to the inside or the outside of the handle.

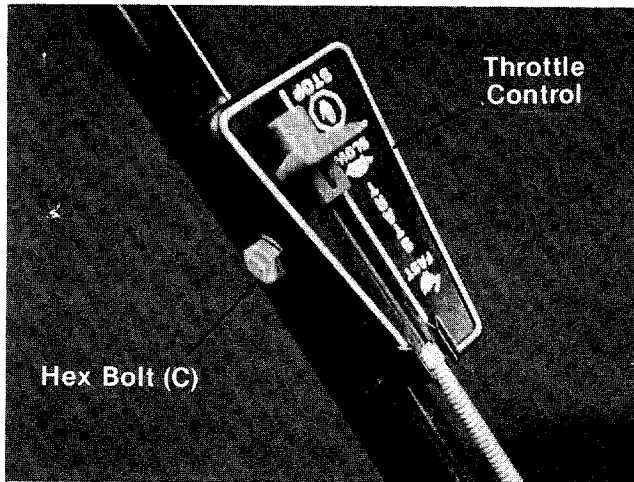


FIGURE 5.

5. Place the throttle control in position on the left hand side of the upper handle. Secure with hex bolt (C) and hex lock nut (D) provided. See figure 5.

**NOTE**

Reference to left or right side of machine is from operator's position at the handle facing forward.

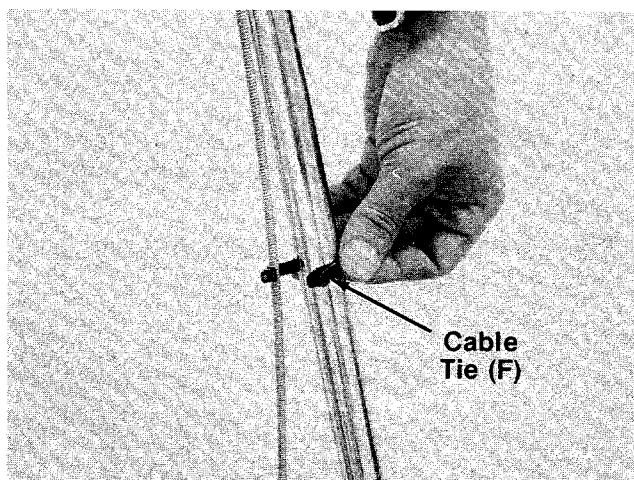
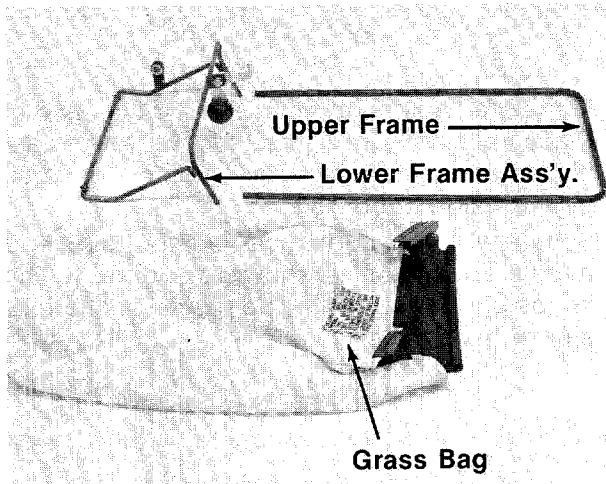


FIGURE 6.

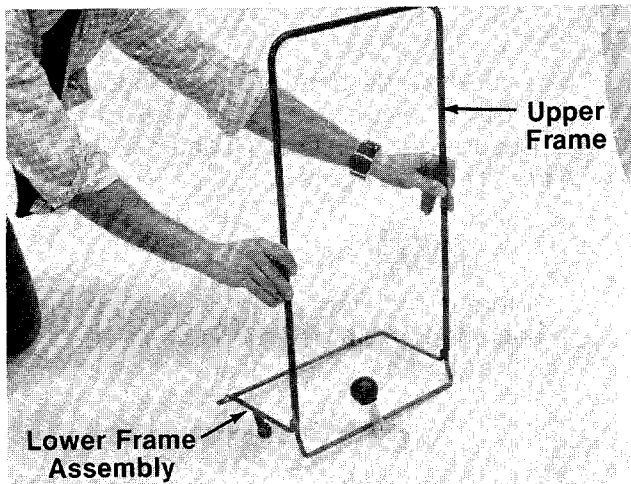
6. Secure throttle control cable to handle with cable ties (F) provided. See figure 6.
7. Check **all** nuts and bolts for correct tightness.

# ASSEMBLY Grass Catcher



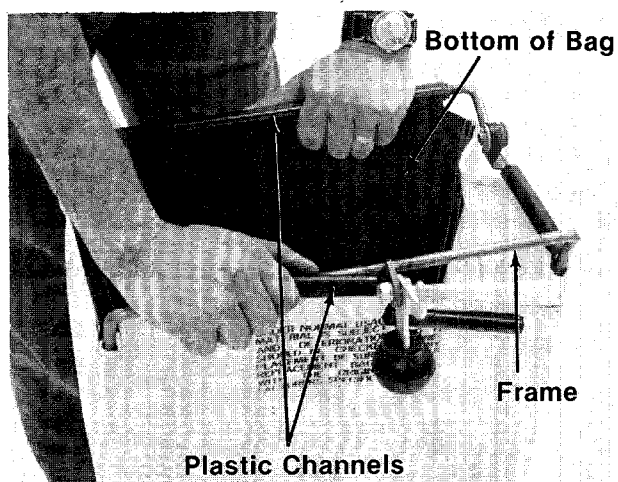
← The grass catcher is partially assembled. See figure 7.

FIGURE 7.



← 1. Place the upper frame over the lower frame assembly as shown in figure 8.

FIGURE 8.



2. Place bag over frame (black plastic side is the bottom of bag). Upper frame goes to the top of bag.  
← 3. Secure bag to frame by slipping plastic channels on bag over frame. See figure 9.

FIGURE 9.

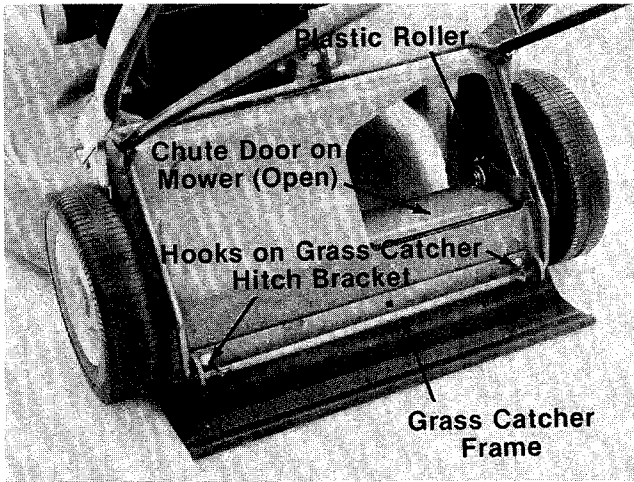


FIGURE 10.

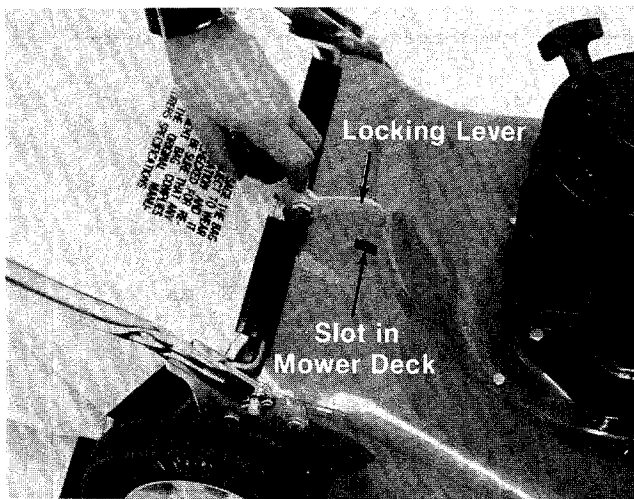


FIGURE 11.

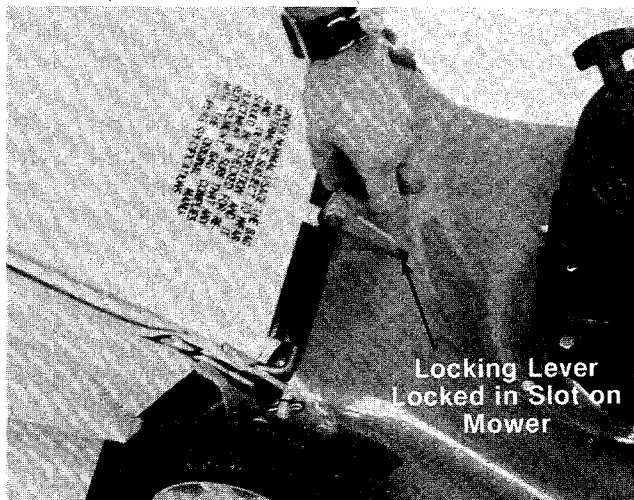


FIGURE 12.

## TO ATTACH BAG TO MOWER



**WARNING**

**DO NOT** operate the mower with the chute door open unless the complete grass catcher is properly mounted on the mower.

- ← 1. Attach the grass catcher frame to grass catcher hitch bracket on rear of the mower by hooking grass catcher into hooks on grass catcher hitch bracket. See figure 10.
2. Lift the rear of grass catcher up. The roller on the grass catcher will push the chute door on the mower open. See figure 10.



**NOTE**

Figure 10 is shown with the chute door open for photo clarity only.

- ← 3. Move the locking lever forward and hook in slot on mower. See figures 11 and 12.

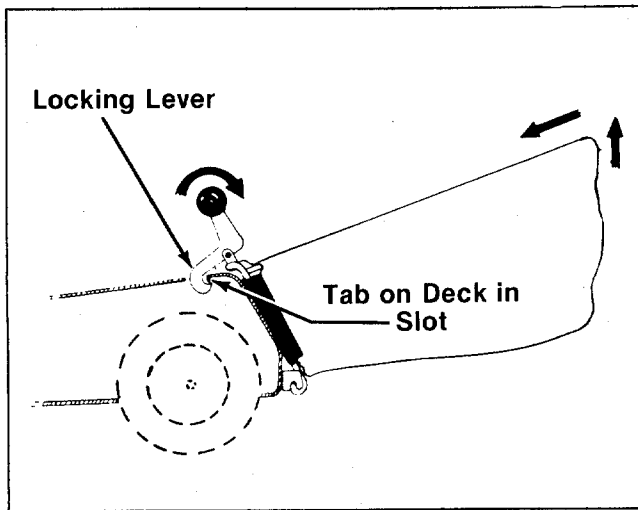


FIGURE 13.

## TO REMOVE GRASS CATCHER

1. To remove the grass catcher, lift the rear of grass catcher, push forward and unhook locking lever.
- ← 2. Lift off grass catcher. See figure 13.

## OPERATION

**DO NOT OPERATE THIS MOWER WITH THE CHUTE DOOR OPEN, UNLESS THE COMPLETE GRASSCATCHER IS PROPERLY MOUNTED ON THE MOWER.**

### NOTE

For shipping purposes your mower is set with the wheels in a low cutting height position. For best results, raise the cutting position until it is determined which height is best for your lawn. See adjustment section.

### BEFORE STARTING

1. Check to see that the handle is in the operating detent in the brackets on the deck, and the upstop projections restrict the handle from moving up and forward. If necessary, remove the left side from the mounting pin on the deck bracket. Push inward to decrease the spacing between the two sides of the handle until it is slightly less than the spacing of the deck brackets. Reinstall over the mounting pin and secure the hair cotter pin in the inner holes.
2. Fill sump with oil, using a high quality detergent oil classified "For Service SC, SD, SE or MS." Use SAE 30, SAE 10W-30 or SAE 10W-40 viscosity grade oil. Nothing should be added to the recommended oil.



FIGURE 14.

Keep hands and feet away from the chute area on cutting deck. See figure 14.

Place engine level. Remove oil fill plug. See figure 15. Fill to point of overflowing. Pour slowly. Capacity 1¼ pints.



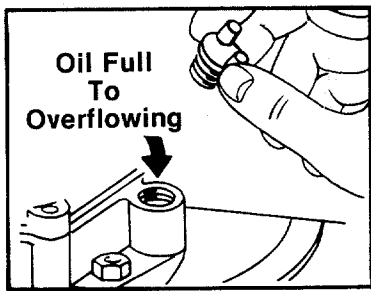


FIGURE 15.

3. **Fill fuel tank**, using clean, fresh, lead-free or leaded "regular" grade automotive gasoline. Fill tank completely.  
DO NOT MIX OIL WITH GASOLINE.

#### TO START ENGINE

1. Move throttle control lever to "START" position.
2. Place foot on right side of deck and hold handle to prevent tipping the unit. Grasp starter and pull out rapidly. Return it slowly to the engine. Repeat if necessary.

#### NOTE

This engine features a unique Automatic Choke. In case of flooding, move control to "STOP" and pull starter six times. Then move control to "START" position and start engine. If engine continues to flood, rotate the carburetor needle valve 1/8 turn clockwise to obtain a leaner mixture. See Carburetor Adjustment on page 10.

This mower is designed to be operated at full throttle to give you the best cut and do the most effective job of bagging the cut grass.

#### TO STOP ENGINE

1. Move throttle control lever to "STOP" position.
2. Remove spark plug wire from spark plug and ground to prevent accidental starting while equipment is unattended.

Be sure that lawn is clear of stones, sticks, wire, or other objects which could damage lawn mower or engine. For best results and to insure more even grass distribution, do not mow when lawn is excessively wet.

#### IMPORTANT

After striking a foreign object, stop the engine. Remove wire from spark plug, thoroughly inspect the mower for any damage, and repair the damage before restarting and operating the mower.

## ADJUSTMENTS

#### CAUTION

Do not at any time make any adjustment to lawn mower without first stopping engine and disconnecting spark plug wire.

#### CUTTING HEIGHT

An adjusting plate and thumb lever at each wheel position provides cutting height adjustment. Each adjusting plate has five holes. Height of cut will be changed when the thumb lever is moved from one hole to another. Simply depress the lever towards wheel and move wheel and lever assembly to desired position. See figure 16.

Cutting height will be raised as front and rear levers are lowered. Cutting height will be lowered as front and rear levers are raised. All wheels must be positioned at the same height.

For rough or uneven lawns, move the wheels to a position which will give a higher cutting height.

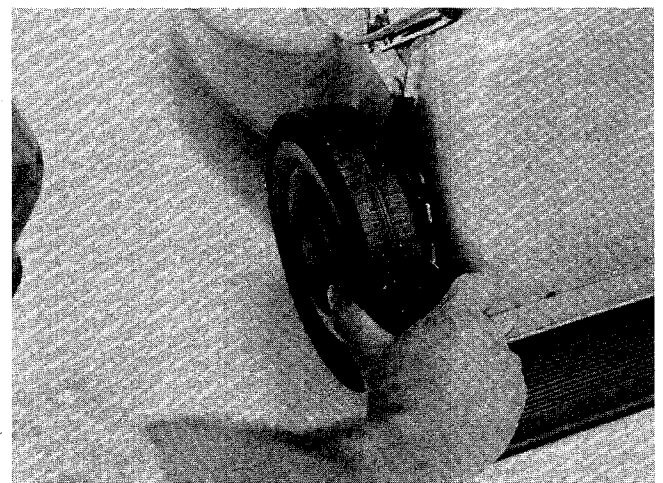
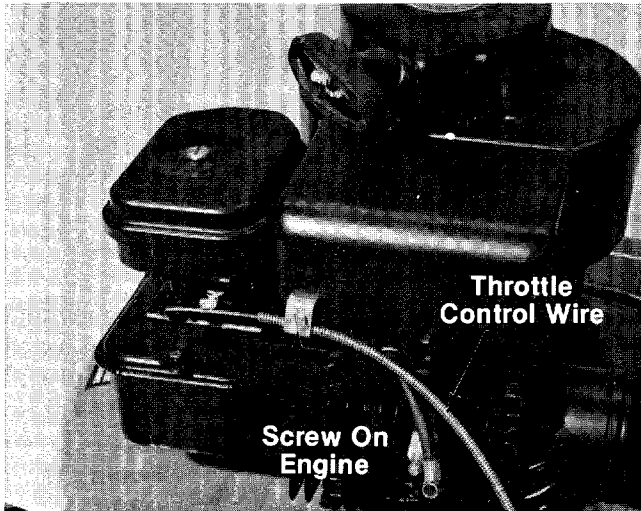


FIGURE 16.

#### THROTTLE

If adjustment becomes necessary, the throttle control wire assembly can be reset as follows:

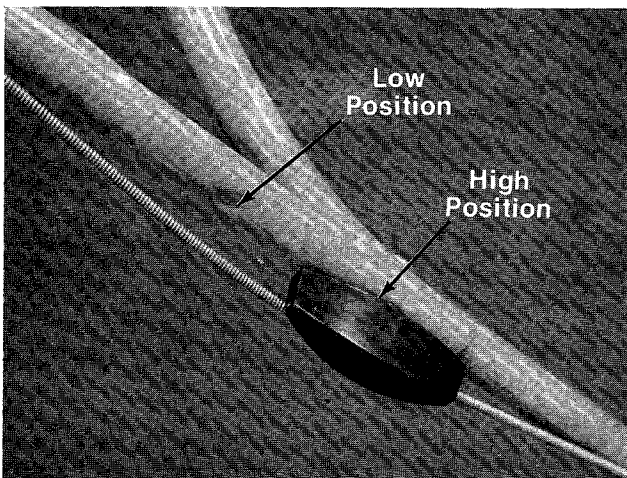
1. Loosen, but do not remove, the screw securing throttle control wire assembly at engine. See figure 17.
2. Move throttle control lever on handle to "FAST" position.
3. Move lever to which control wire is fastened at engine to full open position. Retighten screw to secure throttle control wire assembly.



**FIGURE 17.**

### HANDLE POSITION

The upper handle can be adjusted to a high or low position. The operator of the lawn mower can easily adjust the handle position by unscrewing the two knobs, removing the two bolts and reassembling in the other position. No tools are necessary to make this adjustment. See figure 18.



**FIGURE 18.**



If any adjustments are made to the engine while the engine is running (e.g. carburetor), disengage all clutches and blades. Keep clear of all moving parts. Be careful of heated surfaces and muffler.

### CARBURETOR ADJUSTMENTS (See figure 19)

Minor carburetor adjustments may be required to compensate for differences in fuel, temperature, altitude and load.

All carburetor adjustments should be made with the air cleaner on engine. Air cleaner mounting screw must be in carburetor when engine is run. Best adjustment is made with a fuel tank half full of gasoline.

#### To Adjust Carburetor:

1. Start engine and run long enough to warm it to operating temperature.
 

If engine is out of adjustment so that it will not start, close the needle valve by turning it clockwise. Then open needle valve 1-1/2 turns counterclockwise.
2. Move engine control to run engine at normal operating speed.
  - a. Turn needle valve in clockwise until engine starts to lose speed (lean mixture).
  - b. Then slowly turn needle valve out counterclockwise past the point of smoothest operation until engine just begins to run unevenly (rich mixture).
  - c. Turn needle valve back in clockwise very slowly till engine runs evenly.
  - d. Final adjustment of the needle valve should be slightly to the rich side (turn counterclockwise) of the mid-point.
3. Move engine control to SLOW. Turn idle adjusting screw until a fast idle is obtained (1750 R.P.M.).
4. To check adjustment, move engine control from SLOW to FAST speed. Engine should accelerate smoothly. If engine tends to stall or die out, increase idle speed or re-adjust carburetor, usually to a slightly richer mixture.

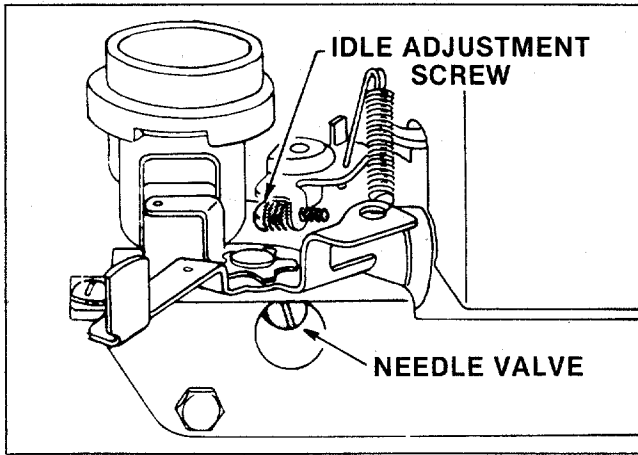


FIGURE 19.

## LUBRICATION



### IMPORTANT

Always stop engine and disconnect spark plug wire before cleaning, lubricating or doing any kind of work on lawn mower.

**Wheels**—The wheels require no lubrication.

**Engine**—Follow engine manual for lubrication instructions.

**Throttle**—Periodically lubricate throttle control lever and throttle wire assembly with a few drops of light oil (SAE No. 10 or 20) for ease of operation.

**Discharge Chute Door Mechanism**—The torsion spring and pivot point should be lubricated periodically with light oil to prevent any rust or binding. Doors must work freely.

## MAINTENANCE

### CUTTING BLADE

The blade may easily be removed for sharpening or replacement as follows:

1. Remove the center bolt and center lock washer holding the blade and adapter to the engine crankshaft.
2. Remove the blade and adapter from the crankshaft.
3. Be careful not to lose the key on the crankshaft. See figure 20.
4. Remove the two smaller bolts, lock washers and nuts holding the blade to the adapter. See figure 20.

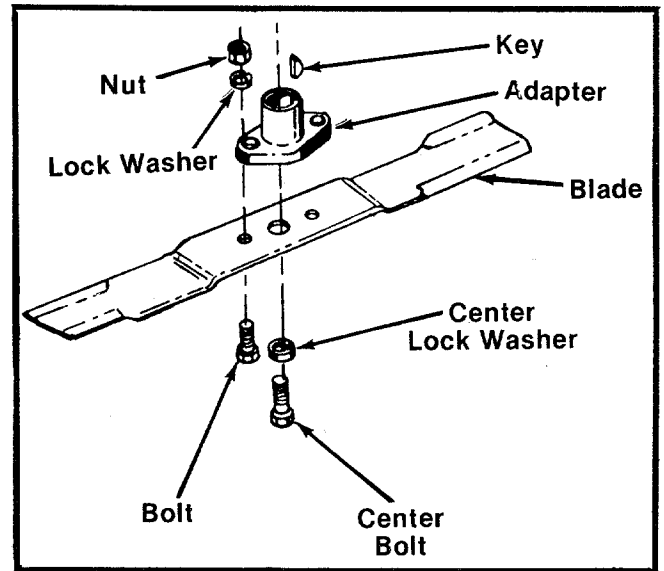


FIGURE 20.

When sharpening blade, follow the original angle of grind as a guide. It is extremely important that each cutting edge receives an equal amount of grinding to prevent an unbalanced blade. An unbalanced blade will cause excessive vibration when rotating at high speeds and may cause damage to the mower.

The blade can be tested for balance by balancing it on a screw driver. Remove metal from the heavy side until it balances evenly. See figure 21.

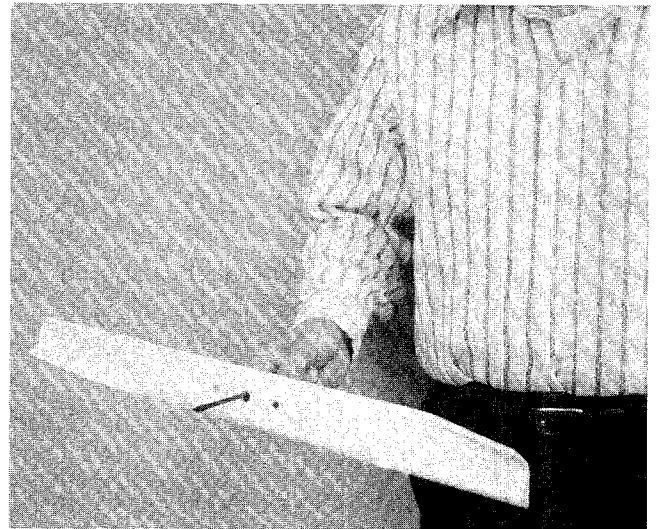


FIGURE 21.



### NOTE

When replacing the blade, be sure the side of the blade marked "Bottom" or having the part number is facing the ground when the mower is in the operating position.

To insure safe operation of your unit, ALL nuts and bolts must be checked periodically for correct tightness.

### Blade Mounting Torque

3/8" Dia. Bolt—375 in. lb. min., 450 in. lb. max.

5/16" Dia. Bolt—150 in. lb. min., 250 in. lb. max.

### DECK

The underside of the mower deck should be cleaned after each period of use as grass clippings, leaves, dirt and other matter will accumulate. This accumulation of grass clippings, etc., is undesirable as it will invite rust and corrosion and may cause an uneven discharge of grass clippings at the next cutting.

The deck may be cleaned by tilting the mower forward or on its side and scraping clean with a suitable tool or by washing with a stream of water from a garden hose.



### CAUTION

Do not direct the stream of water at a hot engine as damage to the engine may result. Be sure spark plug wire is disconnected.

### ENGINE OIL

**CHECK OIL LEVEL** before starting engine and after every 5 hours of operation.

ADD oil as necessary to keep level full to point of overflowing.

Before removing oil fill plug, clean area around plug to prevent dirt from entering oil fill hole.

Engine should be in a level position when checking oil.

**CHANGE OIL** after first 5 hours of operation. Thereafter change every 25 hours. Change oil while engine is warm. Oil may be drained thru drain on bottom of engine. To drain completely, always place engine level when draining thru the bottom. Oil capacity 1-1/4 pints. See figure 22.

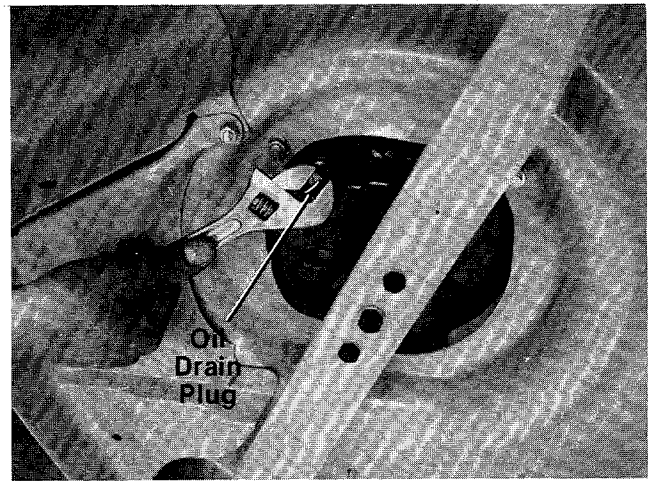


FIGURE 22.

### AIR CLEANER

**CLEAN AIR CLEANER** and re-oil element every 25 hours under normal conditions. Clean every few hours under extremely dusty conditions. Poor engine performance and flooding usually indicates that the air cleaner should be serviced. See figure 23.

1. Remove screw.
2. Remove air cleaner carefully to prevent dirt from entering carburetor.
3. Take air cleaner apart and clean.
  - a. WASH foam element in kerosene or a liquid detergent and water to remove dirt.
  - b. DRY foam completely by wrapping and squeezing in a cloth.
  - c. SOAK foam with engine oil. Squeeze to distribute and remove excess oil.
4. Reassemble parts and fasten to carburetor.

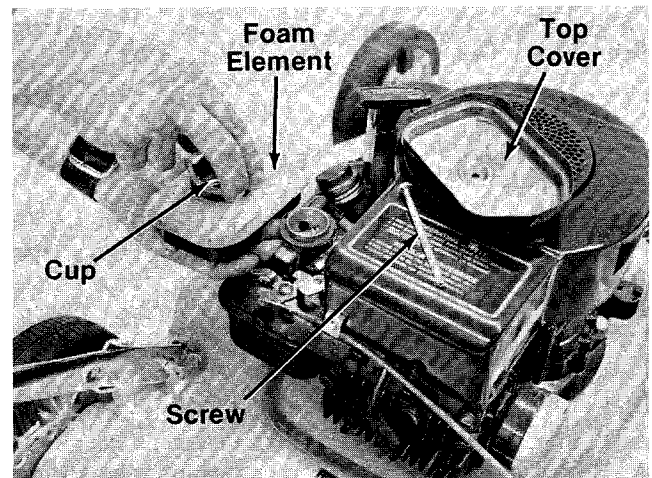


FIGURE 23.

## SPARK PLUG

The spark plug gap should be cleaned (see figure 24) and reset to a 0.030-inch clearance once a season (see figure 25). Spark plug replacement is recommended at the start of each mowing season; check engine parts list for correct plug type.

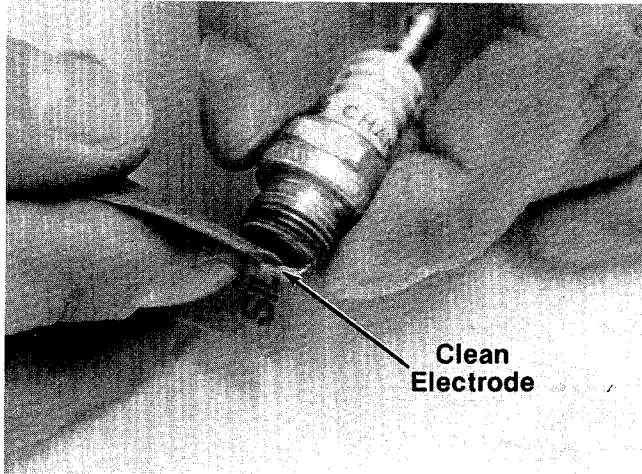


FIGURE 24.

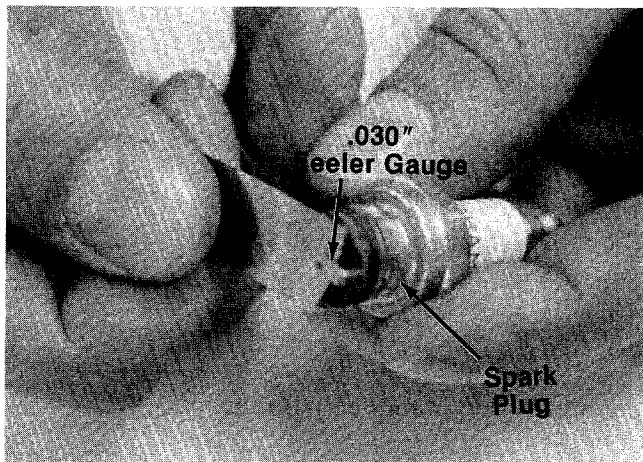


FIGURE 25.

### NOTE

Whenever the spark plug is removed for cleaning, it is advisable to replace the spark plug gasket with a new gasket.

## HANDLE STORAGE

The handle can be stored in an upright position to take less space. Move hairpin cotters to outer hole on weld pins (see figure 3). Grasp the lower handle at the bottom and pull apart slightly. Tip the handle forward. It will lock in this position. Reverse this procedure to place the handle in the operating position.

The handle on this model may also be folded away completely for storage.

1. Remove hairpin cotters from inner hole on weld pins on handle mount brackets. Place in outer hole.
2. Loosen the hand knobs on each side of the handle.
3. Pull outward on the bottom of each side of the lower handle, and push forward.
4. Fold the upper handle back and down.

To take the handle out of storage position, proceed as follows.

1. Lift the upper handle up and towards the rear.
2. Pull the handle back until it locks into the operator's position.
3. Tighten the two hand knobs securely.
4. Move the hairpin cotters to the inner hole on the weld pins.

## OFF-SEASON STORAGE

If the machine is to be inoperative for a period longer than 30 days, the following procedures are recommended:

1. Working outdoors, drain all fuel from the fuel tank. Use a clean dry cloth to absorb the small amount of fuel remaining in the tank. Then run the engine until all fuel in the carburetor is exhausted.



Do not drain fuel while smoking, or if near an open fire.

2. Drain all the oil from the crankcase (this should be done after the engine has been operated and is still warm). Refill the crankcase with clean new oil.
3. Disconnect the spark plug wire and remove the spark plug from the cylinder. Pour about 2 or 3 tablespoons of engine oil into the cylinder. Turn the engine over several times to spread out the oil. Replace the spark plug, but do not connect the wire.
4. Clean the engine and the entire mower thoroughly.
5. Lubricate all lubrication points.

 **NOTE**

The use of any accessory on this Rotary Mower other than those manufactured by the mower manufacturer is **not** recommended.



**WARNING**

DO NOT operate the mower with the chute door open unless the complete grass catcher is properly mounted on the mower.



**WARNING**

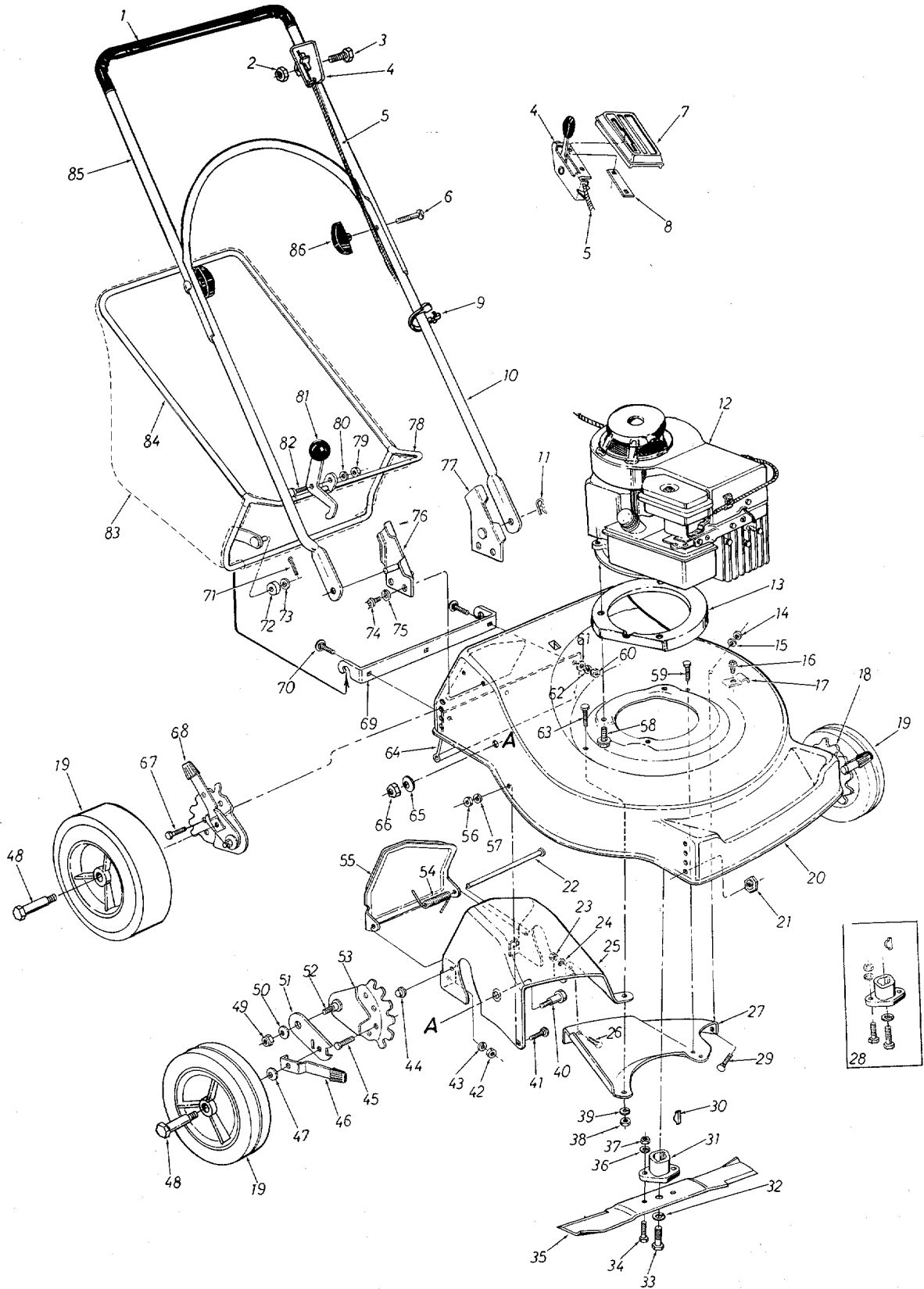
The mower shall not be operated without the protective shield on the rear of the mower in place.

 **NOTE:**

Under normal usage bag material is subject to wear and should be checked periodically. Be sure any replacement bag complies with the mower manufacturer's recommendations.

For replacement bags, use only factory authorized replacement bag No. 764-0171.

# 110-329A 110-329-300





**PARTS LIST FOR MODEL 110-329A AND 110-329-300**

REF. NO.	PART NO.	COLOR CODE	DESCRIPTION	NEW PART	REF. NO.	PART NO.	COLOR CODE	DESCRIPTION	NEW PART
1	718-0145		Grip		44	726-0106		Push Nut 1/4" Rod	
2	712-0107		Hex Cent. L-Nut 1/4-20 Thd.		45	710-0209		Hex Sems Bolt 3/8-16 x .62" Lg.*	
3	710-0606		Hex Bolt 1/4-20 x 1.50" Lg.*		46	10531		Spring Lever Ass'y. w/Knob	
4	746-0179		Throttle Control Ass'y.		47	736-0105		Belleville Wash. 3/8" I.D.	
5	746-0375		Conduit and Wire		48	738-0102		Shld. Bolt	
6	710-0405		Curved Hd. Carriage Bolt 5/16-18 x 1.75" Lg.		49	712-0375		Hex Cent. L-Nut 3/8-16 Thd.	
7	731-0344		Plastic Cover		50	736-0255		Belleville Wash. .50" I.D. x 1.14" O.D. x .029	
8	726-0134		Speed Nut #8-32 Twin Type		51	10619		Pivot Bar	
9	726-0188		Plastic Cable Tie		52	738-0269		Shld. Bolt (3/8-16 Thd.)	
10	749-0393		Lower Handle	N	53	12323		Index Plate	
11	714-0104		Hairpin Cotter 5/16" Dia.		54	732-0346		Torsion Spring	
12	—		Engine		55	13407	—456	Chute Door	
13	13773	—452	Engine Mount Cover Plate		56	712-0271		Hex Sems Nut 1/4-20 Thd.*	
14	712-0271		Hex Sems Nut 1/4-20 Thd.*		57	736-0329		L-Wash. 1/4" I.D.*	
15	736-0329		L-Wash. 1/4" I.D.*		58	710-0654		Hex Wash. Hd. Self-Tap Scr. 3/8-16 x .88" Lg.	
16	710-0642		Hex Self-Tap Scr. 1/4-20 x .75" Lg.		59	710-0642		Hex Wash. Hd. Self-Tap Scr. 1/4-20 x .75" Lg.	
17	12894		Cable Clip		60	712-0287		Hex Nut 1/4-20 Thd.*	
18	12321		Height Adjuster Ass'y. Comp.—L.H.		61	736-0211		Fl-Wash. .285" I.D. x 1.25" O.D. x .060 Thk.	
19	734-0841		Wheel Ass'y. Comp.—Front 8.0 x 1.75		62	736-0329		L-Wash. 1/4" I.D.*	
20	14004	—456	22" Deck Ass'y.	N	63	710-0258		Hex Bolt 1/4-20 x .62" Lg.*	
21	712-0297		Oval Nut 3/8-16 Thd. (Special)		64	731-0449		Rear Flap Ass'y.	N
22	738-0386		Hinge Pin .250" Dia. x 7.25" Lg.		65	736-0219		Belleville Wash. .440" I.D.	
23	712-0271		Hex Sems Nut 1/4-20 Thd.*		66	712-0342		Hex Jam Nut 3/8-16 Thd.	
24	736-0329		L-Wash. 1/4" I.D.*		67	710-0209		Hex Sems Bolt 3/8-16 x .62" Lg.*	
25	13406	—456	Rear Chute—R.H.		68	12322		Height Adjuster Ass'y. Comp.—R.H.	
26	710-0167		Carriage Bolt 1/4-20 x .50" Lg.*	N	68	14012	—456	Grass Catcher—Hitch Brkt.	
27	14014	—456	Rear Chute Baffle—L.H.		70	710-0703		Carriage Bolt 1/4-20 x .75" Lg.	
28	10769		Blade Adapter Kit		71	714-0507		Cotter Pin 5/32" Dia. x .75" Lg.*	
29	710-0167		Carriage Bolt 1/4-20 x .50" Lg.*		72	731-0430		Plastic Roller	
30	714-0365		#6 Hi-Pro Key 5/32 x 5/8" Dia.		73	736-0185		Fl-Wash. .406" I.D. x .74 O.D. x .063 Thk.	
31	10769		Blade Adapter Kit		74	710-0776		Hex Wash. Hd. Self-Tap Scr. 1/4-20 x .62" Lg.	
32	736-0217		L-Wash. 3/8" I.D. (Heavy Duty)		75	736-0329		L-Wash. 1/4" I.D.*	
33	710-0459		Hex Bolt 3/8-24 x 1.50" Lg. (Grade 5)		76	12296		Handle Mount Brkt.—R.H.	
34	710-0117		Hex Bolt 5/16-24 x 1.00" Lg. (Grade 5)		77	12297		Handle Mount Brkt.—L.H.	
35	742-0125		22" Blade		78	13924		Grass Catcher—Lower Frame Ass'y.	
36	736-0119		L-Wash. 5/16" I.D.*		79	712-0267		Hex Nut 5/6-18 Thd.*	
37	712-0123		Hex Nut 5/16-24 Thd.*		80	736-0119		L-Washer 5/16" I.D.*	
38	712-0287		Hex Nut 1/4-20 Thd.*		81	13435		Cam Lever—Grip Ass'y.	
39	736-0329		L-Wash. 1/4" I.D.*		82	738-0140		Shld. Bolt	
40	738-0430		Shld. Bolt .50" Dia. x .685" Lg.		83	764-0171		Grass Bag	
41	710-0167		Carriage Bolt 1/4-20 x .50" Lg.*		84	749-0278		Grass Catcher—Upper Frame	
42	712-0287		Hex Nut 1/4-20 Thd.*		85	749-0380		Upper Handle	N
43	736-0329		L-Wash. 1/4" I.D.*		86	09966		Hand Knob	

\*For faster service obtain standard nuts, bolts and washers locally. If these items cannot be obtained locally, order by part number and size as shown on parts list.

(456—Radiant Tangerine)

When ordering parts, if color or finish is important use the appropriate color code shown above (e.g. Radiant Tangerine Finish—14004 (456).)

NOTE: The engine is not under warranty by the mower manufacturer . . . If repairs or service is needed on the engine, please contact your nearest authorized engine service outlet. Check the "Yellow Pages" of your telephone book under "Engines—Gasoline."



This instruction manual covers various models and all specifications shown do not necessarily apply to your model. Specifications subject to change without notice or obligation.



# PARTS INFORMATION

## POWER EQUIPMENT PARTS AND SERVICE

Parts and service for all MTD manufactured power equipment are available through the authorized service firms listed below. All orders should specify the model number of your unit, parts number, description of parts and the quantity of each part required.

<b>ALABAMA</b>	<b>BIRMINGHAM</b>	
Auto Electric & Carburetor Co. ....	2625 4th Ave. S. ....	35233
<b>ARKANSAS</b>	<b>FORT SMITH</b>	
Mity Mite Motors, Inc. ....	4515 South 16th Street	72901
	<b>NORTH LITTLE ROCK</b>	
Sutton's Lawn Mower Shop .....	Rt. 4 Box 368. ....	72117
<b>CALIFORNIA</b>	<b>PORTERVILLE</b>	
Billious .....	75 North D Street .....	93257
	<b>SAN BERNARDINO</b>	
Lawn Mower Supply Co .....	25608 E. Baseline .....	92410
	<b>SAN FRANCISCO</b>	
J.W. Jewett Co. ....	981 Folsom St. ....	94107
<b>COLORADO</b>	<b>DENVER</b>	
South Denver Lawn Equip. ....	527 West Evans .....	80223
<b>FLORIDA</b>	<b>JACKSONVILLE</b>	
Radco Distributors .....	2403 Market St. ....	32206
	<b>OPA LOCKA</b>	
Small Eng. Dist. ....	2351 N.W. 147th St. ....	33054
<b>GEORGIA</b>	<b>EAST POINT</b>	
East Point Cycle & Key .....	2834 Church St. ....	30344
<b>ILLINOIS</b>	<b>LYONS</b>	
Keen Edge Co. ....	8615 Ogden Ave. ....	60534
<b>INDIANA</b>	<b>ELKHART</b>	
Parts & Sales Inc. ....	2101 Industrial Pkwy. ....	46514
<b>IOWA</b>	<b>DUBUQUE</b>	
Power Lawn & Garden Equip. ....	2551 J.F. Kennedy. ....	52001
<b>LOUISIANA</b>	<b>NEW ORLEANS</b>	
Suhren Engine Co. ....	8330 Earhart Blvd. ....	70118
<b>MARYLAND</b>	<b>TAKOMA PARK</b>	
Center Supply Co. ....	6867 New Hampshire Ave. ....	20012
<b>MASSACHUSETTS</b>	<b>SPRINGFIELD</b>	
Morton B. Collins Co. ....	300 Birnie Ave. ....	01107
<b>MICHIGAN</b>	<b>LANSING</b>	
Lorenz Service Co. ....	2500 S. Pennsylvania. ....	48910
	<b>MOUNT CLEMENS</b>	
Power Equipment Dist. ....	36463 South Gratiot ..	48043
<b>MINNESOTA</b>	<b>HOPKINS</b>	
Hance Distributing Inc. ....	420 Excelsior Ave. W. ....	55343
	<b>ST. PAUL</b>	
Power Tools Inc. ....	3771 Sibley Memorial Hwy. ..	55122
<b>MISSISSIPPI</b>	<b>BILOXI</b>	
Biloxi Sales & Service, Inc. ....	506 Caillavet St. ....	39533
<b>MISSOURI</b>	<b>KANSAS CITY</b>	
Automotive Equip. Service .....	3117 Holmes St. ....	64109
	<b>ST. JOSEPH</b>	
Ross-Frazier Supply Co. ....	8th and Monterey .....	64503
	<b>ST. LOUIS</b>	
Henzler, Inc. ....	2015 Lemay Ferry Rd. ....	63125
<b>NEW JERSEY</b>	<b>BELLMAWR</b>	
Lawnmower Parts Inc. ....	717 Creek Rd. ....	08030
	<b>RUTHERFORD</b>	
Feld Distributor .....	28 Glen Rd. ....	07070
<b>NEW YORK</b>	<b>CARTHAGE</b>	
Gamble Dist., Inc. ....	West End Ave. ....	13619

## BRIGGS AND STRATTON, TECUMSEH AND PEERLESS PARTS AND SERVICE

Briggs & Stratton, Tecumseh and Peerless parts and service should be handled by your nearest authorized engine service firm. Check the yellow pages of your telephone directory under the listing **Engines—Gasoline**, Briggs & Stratton or Tecumseh Lauson.

	<b>SYRACUSE</b>	
GTP Leisure Products Inc. ....	420 Marcellus St. ....	13204
<b>NORTH CAROLINA</b>	<b>GOLDSBORO</b>	
Smith Hardware Co. ....	515 N. George St. ....	27530
	<b>GREENSBORO</b>	
Dixie Sales Company .....	327 Battleground Ave. ....	27402
<b>OHIO</b>	<b>CARROLL</b>	
Stebe's Mid-State Mower Supply .....	Box 366-71 High St. ...	43112
	<b>CLEVELAND</b>	
Bleckrie, Inc. ....	7900 Lorain Ave. ....	44102
	<b>WADSWORTH</b>	
National Central .....	687 Seville Rd. ....	44281
	<b>YOUNGSTOWN</b>	
Burton Supply Co. ....	1301 Logan Ave. Box 929 ..	44501
<b>OKLAHOMA</b>	<b>ADA</b>	
Ada Auto Supply .....	301 E. 12th St. ....	74820
	<b>MUSKOGEE</b>	
Victory Motors, Inc. ....	605 S. Cherokee. ....	74401
	<b>OKLAHOMA CITY</b>	
Forest Sales Inc. ....	1039 NW 63rd St. ....	73116
<b>OREGON</b>	<b>PORTLAND</b>	
Kenton Supply Co. ....	8216 N. Denver Ave. ....	97217
<b>PENNSYLVANIA</b>	<b>CHESTER</b>	
Stull Equipment Corp. ....	742 W. Front St. ....	19013
	<b>HARRISBURG</b>	
EECO Inc. ....	4021 N. 6th St. ....	17110
	<b>PHILADELPHIA</b>	
Thompson Rubber Co. ....	5222-24 N. Fifth St. ...	19120
	<b>PITTSBURGH</b>	
Bluemont Co. ....	11125 Frankstown Rd. ....	15235
<b>TENNESSEE</b>	<b>KNOXVILLE</b>	
Master Repair Service. ....	2000 Western Ave. ...	37921
	<b>MEMPHIS</b>	
Memphis Cycle & Supply Co. ....	421 Monroe Ave. ....	38103
American Sales & Service, Inc. ....	1922 Lynnbrook. ....	38116
<b>TEXAS</b>	<b>DALLAS</b>	
Marr Brothers, Inc. ....	423 E. Jefferson. ....	75203
	<b>FORT WORTH</b>	
Woodson Sales Corp. ....	1702 N. Sylvania .....	76111
	<b>HOUSTON</b>	
Bullard Supply Co. ....	2409 Commerce St. ....	77003
	<b>SAN ANTONIO</b>	
Catto & Putty, Inc. ....	414 Live Oak .....	78298
<b>UTAH</b>	<b>SALT LAKE CITY</b>	
A-1 Engine & Mower Co. ....	437 E. 9th St. ....	84111
<b>VERMONT</b>	<b>BURLINGTON</b>	
Vermont Hdwe. Co. Inc. ....	180 Flynn Ave. ....	05401
<b>VIRGINIA</b>	<b>RICHMOND</b>	
RBI Corp. ....	963 Myers St. ....	23260
<b>WASHINGTON</b>	<b>SEATTLE</b>	
Bailey's Inc. ....	1414 14th Ave. ....	98102
<b>WEST VIRGINIA</b>	<b>CHARLESTON</b>	
Young's, Inc. ....	233 Virginia St., E. ....	25301
<b>WISCONSIN</b>	<b>APPLETON</b>	
Automotive Supply Co. ....	123 S. Linwood Ave. ....	54911

## WARRANTY PARTS AND SERVICE POLICY

The purpose of warranty is to protect the customer from defects in workmanship and materials, defects which are NOT detected at the time of manufacture. It does not provide for the unlimited and unrestricted replacement of parts. Use and maintenance are the responsibility of the customer. The manufacturer cannot assume responsibility for conditions which it has no control. Simply put, if it's the manufacturer's fault, it's the manufacturer's responsibility; if it's the customer's fault, it's the customer's responsibility.

### CLAIMS AGAINST THE MANUFACTURER'S WARRANTY INCLUDES

1. Replacement of Missing Parts on new equipment.
2. Replacement of Defective Parts within the warranty period.
3. Repair of Defects within the warranty period.

All claims MUST be substantiated with the following information:

1. Model Number of unit involved.
2. Date unit was purchased or first put into service.
3. Date of failure.
4. Nature of failure.