

### Module Ordering Information

Style	Series	Type	Lamps	Length	Ballast	Options
LP	2	B	2T8 2T8 = 2F32T8	4 = 4-Foot 8 = 8-Foot	U = Universal Voltage E = Emergency Pack D1 = Dimming 120v D2 = Dimming 277v	Blank = No Options DS = A-B Switch X4 = 4 Wire for Dimming & Switched Emergency

Complete ordering instructions below.

### Features

- Housing:** 18 gauge perforated steel with 51% open hole pattern. Holes are 1/8" (0.32cm) diameter on 5/32" (0.40cm) centers. Die-formed steel end cap with concealed access holes for through wiring. No exposed fasteners or hardware.
- Lamping:** Two T8 32 watt fluorescent lamps per 4-foot section. Provided by others.
- Reflector:** Precision die-formed specular aluminum
- Diffuser:** Opal acrylic diffuser.

### Electrical

Ballast is universal voltage, <10% THD, .88 ballast factor, instant start. 3 conductor, 18 gauge wire. Color-coded quick connectors allow ease of connection for joiner modules. For special circuiting consult factory. Cord is 18/3 SJT. Factory installed ballast disconnect allows the ballast to be disconnected from and reconnected to incoming power under load without turning the entire circuit off.

**Dimming:** 120/277 VAC, 4 wire feed required.

**Emergency Battery Pack:** 32 watt: 450 lumens @ 90 minutes.

### Mountings

**Cable Suspension (not shown)** - 4-1/2" (11.43cm) diameter flat canopy finished white enamel, 1/16" (0.16cm) diameter stainless steel aircraft cable adjustable up to 36" (91.44cm) without cutting. Overlap connector to provide 46" (116.84cm) of perforated and 2" (5.08cm) solid sections contiguously without the presence of hairline connections. (See Bottom View drawing above)

### Options

**Dual Switching:** Order the DS option for separate row switching. DS option automatically ships with the X4 option included.

**4 Wire:** Order X4 modules for remainder of the run when using dimming and/or switched emergency battery pack modules. Also, order the 4 Wire Cord Power Feed End Sets (LP2EC36X4) when using 4 Wire Modules.

**Emergency Circuiting:** Special circuiting - consult factory.

### Ordering Information

#### Individual Fixtures:

- Order number of MODULES required.
- Order one POWER FEED END SET per MODULE.

#### Continuous Rows:

- Determine run length.
- Order the appropriate number of MODULES for the complete run.
- Order one POWER FEED END SET per run.
- Order one CABLE ASSEMBLY per MODULE minus one per run.
- For runs that exceed amperage limits, order the appropriate number of SINGLE CABLE & CORD FEEDS.

### Finish

Powder coated baked white enamel. Custom colors available, consult factory.

### Labels

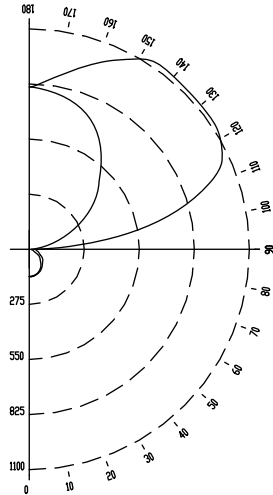
UL, cUL and I.B.E.W.

Job Information	Type:
<b>Job Name:</b>	
<b>Cat. No.:</b>	
<b>Lamp(s):</b>	
<b>Notes:</b>	

631 Airport Road, Fall River, MA 02720 • (508) 679-8131 • Fax (508) 674-4710  
 We reserve the right to change details of design, materials and finish.  
 www.lightolier.com © 2008 Philips Group • B0908

### Performance

#### CANDLEPOWER CURVE



REPORT NO: LRL 200-10C  
 CAT NO: LP2B2T84U  
 LAMPS: 2 F32T8  
 LUMENS: 2900  
 EFFICIENCY: 81.3%

ZONE DEG.	CANDLEPOWER			
	22	45	67	90
180	810	810	810	810
175	801	811	820	838
165	773	825	873	933
155	719	815	915	1042
145	621	765	922	1079
135	496	678	890	1075
125	391	613	878	1095
115	253	507	779	976
105	129	382	691	763
95	35	197	269	266
90	11	17	26	27
85	6	16	24	30
75	19	23	34	42
65	28	35	46	54
55	61	65	76	83
45	78	79	84	91
35	101	102	105	109
25	119	119	121	123
15	130	130	132	132
5	137	135	136	137
0	136	136	136	136

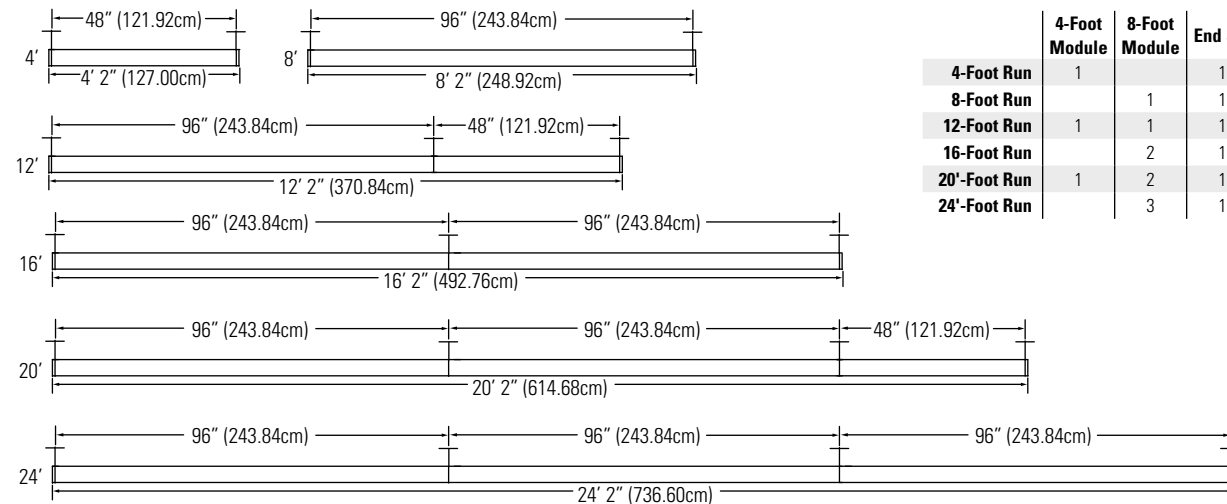
#### COEFFICIENTS OF UTILIZATION % EFFECTIVE CEILING CAVITY REFLECTANCE

ROOM CAVITY RATIO	WALL REFLECTANCE								
	80			70			50		
	70	50	30	70	50	30	50	30	10
0	79	79	79	69	69	69	49	49	49
1	72	68	65	62	59	57	43	41	40
2	65	60	55	57	52	48	37	35	33
3	60	53	47	52	46	41	33	30	28
4	54	46	40	47	40	35	29	26	23
5	50	41	35	43	36	31	26	23	20
6	46	37	30	39	32	27	23	20	17
7	42	33	27	36	29	23	21	17	15
8	39	29	23	33	26	21	19	15	13
9	36	27	21	31	23	18	17	14	11
10	33	24	19	29	21	16	15	12	10

#### DISTRIBUTION

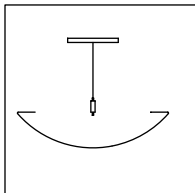
Zone	Lumens	% Lamp	% Luminaire
0-90	409	7.1	8.7
90-180	4306	74.2	91.3
0-180	4714	81.3	100.0

### Fixture Lengths & Mounting Locations

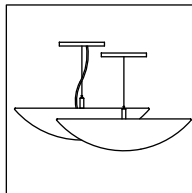


	4-Foot Module	8-Foot Module	End Set	Cable/Joiner
4-Foot Run	1		1	
8-Foot Run		1	1	
12-Foot Run	1	1	1	1
16-Foot Run		2	1	1
20-Foot Run	1	2	1	2
24-Foot Run		3	1	2

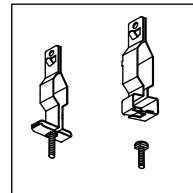
### Mounting Accessories



**Cable/Joiner Assembly**  
 Standard Cable Length is 36" (91.44cm)  
 Single Cable: **LP2C36**  
 Single Cable & Cord: **LP2CC36**  
 Single Cable & 4 Wire Cord: **LP2CC36X4**



**Power Feed End Set**  
 Standard Cable Length is 36" (91.44cm)  
 Straight Cord: **LP2EC36**  
 4 Wire Cord\*: **LP2EC36X4**  
 \* use for dimming and/or emergency battery packs



**Ceiling Grid Kit**  
**CGK**  
 Includes both Standard 1" (2.54cm) Tee Bar Clip & Slot Tee Clip

### Job Information

### Type:

631 Airport Road, Fall River, MA 02720 • (508) 679-8131 • Fax (508) 674-4710  
 We reserve the right to change details of design, materials and finish.  
 www.lightolier.com © 2008 Philips Group • B0908