

PMOR3021

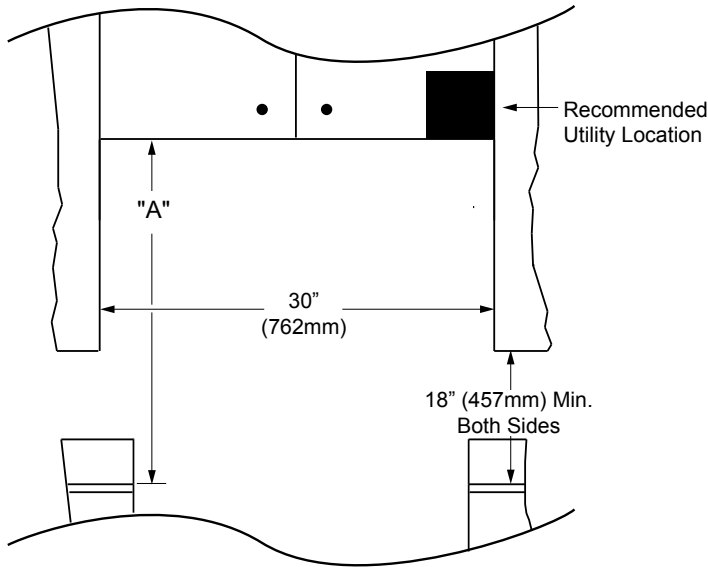


092105

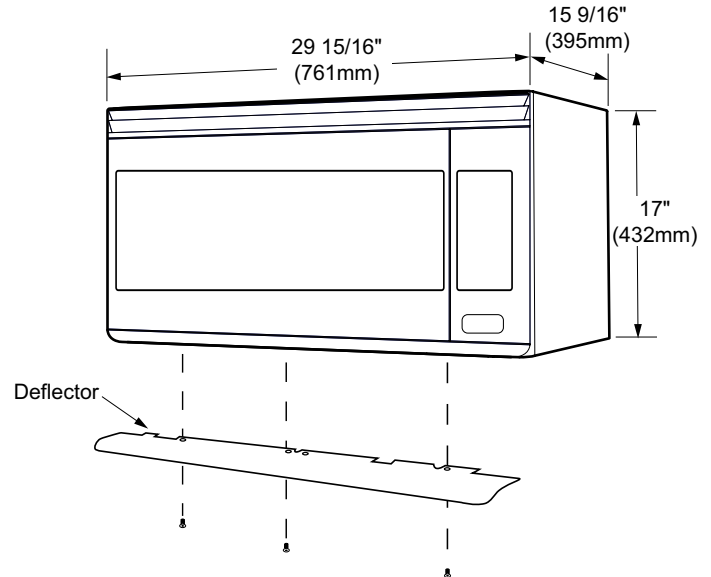
Over the Range Microwave Oven

1/1

PLANNING GUIDE



UPPER CABINET DIMENSIONS
(Upper Cabinets 13" (330mm) Maximum Depth)

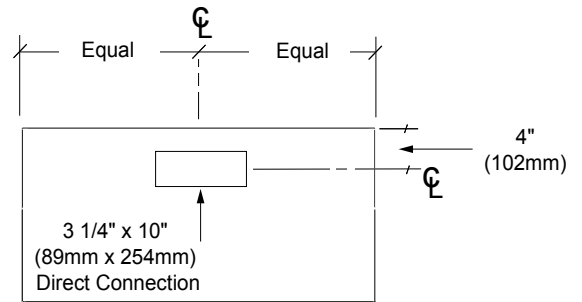


OVERALL DIMENSIONS

"A" - From Top of PMOR3021 to Finished Countertop
34" (864mm) Minimum with deflector for a maximum cooktop surface BTU rating of 44,000 BTU's.
36" (914mm) Minimum without deflector for a maximum cooktop surface BTU rating of 44,000 BTU's.
36" (914mm) Minimum with deflector for a maximum cooktop surface BTU rating of 60,000 BTU's.

NOTES:

- 30" electric cooktops or ranges can be installed at 34" (864mm) with deflector or 36" (914mm) without deflector for a maximum cooktop surface rating of 10,000 watts.
- Microwave is supplied with a 48" (1219mm) power cord, with a three prong grounded plug.



MICROWAVE TOP VIEW EXHAUST LOCATION

Model No.	Dedicated Circuit Required	Total Connected Load	Approximate Shipping Weight
PMOR3021	120VAC, 60Hz, 15A (Breaker)	1.45kW (12A)	60 lbs.