

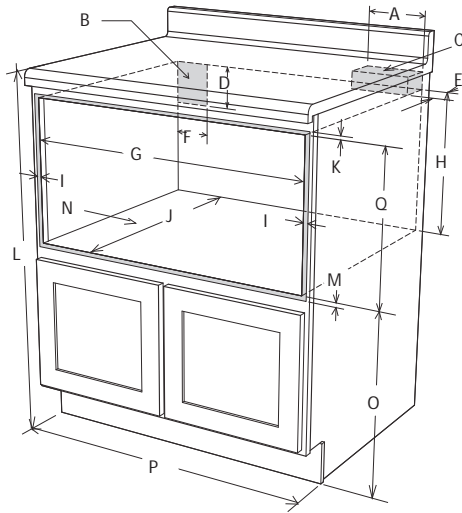
MMD24, MMD30 & MMDV30

dacor
The Life of the Kitchen.®

Revised
06/19/08

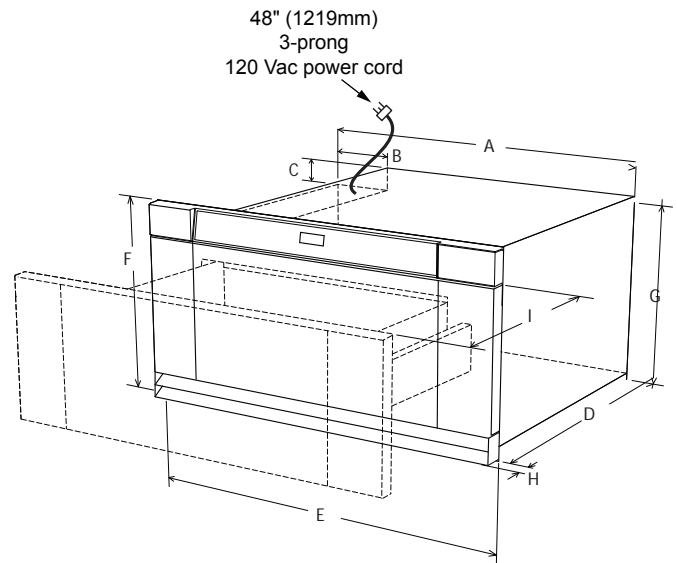
24", 30" Microwave In-A-Drawer™ 1/1

**PLANNING
GUIDE**



NOTES:

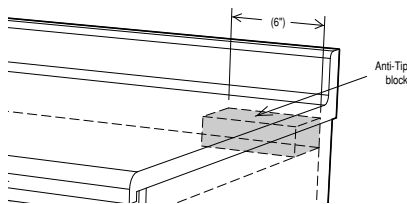
1. All tolerances: $+1/16"$, -0 , ($+1.6\text{mm}$, -0), unless otherwise stated.
2. Spacing between appliances and doors/drawers is minimum required to allow for ventilation and to prevent scapping. Additional space may be required for appearance.



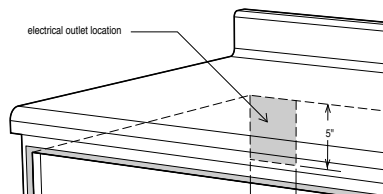
MMD24	MMD30, MMDV30
A. 6"	A. 6"
B. Electrical outlet location	B. Electrical outlet location
C. Anti-Tip block	C. Anti-Tip block
D. 5"	D. 5"
E. 3 1/2"	E. 3 1/2"
F. 4"	F. 4"
G. 22 1/4" opening	G. 28 1/2" opening
K. Allow 3/16" minimum overlap	K. Allow 1/4" minimum overlap
H. 14 3/16" to bottom of Anti-Tip block	H. 14 3/4" to bottom of Anti-Tip block
I. Allow 7/8" minimum overlap	I. Allow 3/4" minimum overlap
J. 23 1/2" minimum depth	J. 23 1/2" minimum depth
Q. 15 3/16" ± 1/16" opening	Q. 15 3/16" ± 1/16" opening
L. 36" nominal countertop height	L. 36" countertop height
M. Allow 7/16" minimum overlap	M. Allow 7/16" minimum overlap
N. Floor must support 100 lbs. minimum	N. Floor must support 100 lbs. minimum
O. 19" to top of floor (recommended)	O. 19" to top of floor (recommended)
P. 30" cabinet minimum	P. 30" cabinet minimum

NOTE: Open Top Cabinet illustrated

CUTOUT DIMENSIONS



ANTI-TIP BLOCK LOCATION



ELECTRICAL UTILITY LOCATION

MMD24	MMD30, MMDV30
A. 21 19/32"	A. 28 5/16"
B. 4 11/16"	B. 4 11/16"
C. 1 23/32"	C. 2"
D. 23 3/8"	D. 23 3/8"
E. 23 13/16"	E. 30"
F. 15 5/8"	F. 15 5/8"
G. 15 1/16"	G. 15 1/16"
H. 1" door thickness	H. 1 1/4" door thickness
I. 15" auto drawer opening	I. 15 1/4" auto drawer opening

Power cord length: 48"

OVERALL DIMENSIONS

Model No.	Dedicated Circuit Required	Total Connected Load	Approximate Shipping Weight
All Models	120 Vac, 60 Hz, 15 Amp (Breaker)	1.56 kW (13 Amp)	128 lbs.

ELECTRICAL SPECIFICATIONS