

DCM24

ACTK27, ACTK30, ACTK36, APCTK27, APCTK30

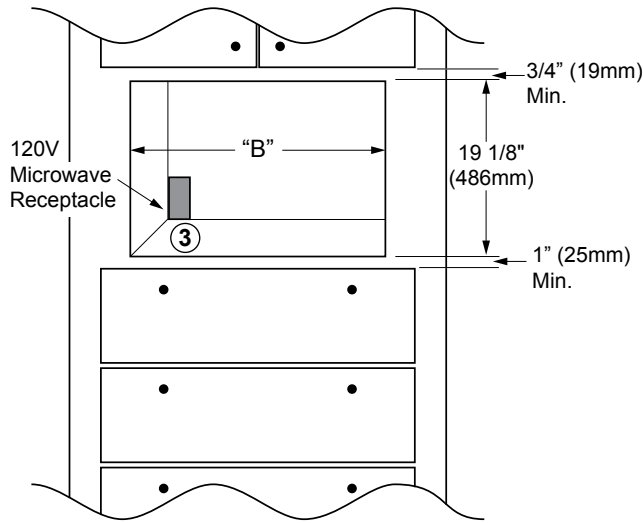


092105

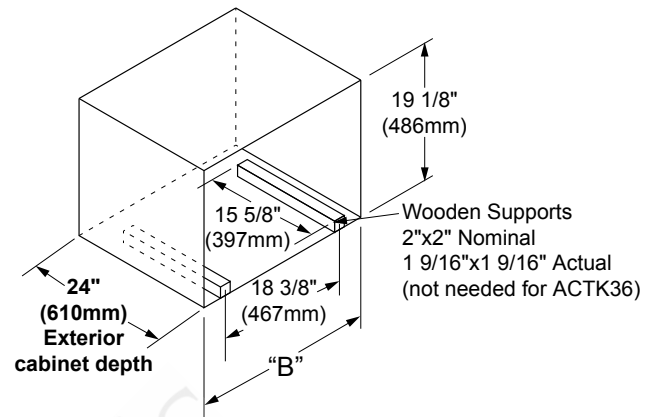
Convection Microwave Oven

1/1

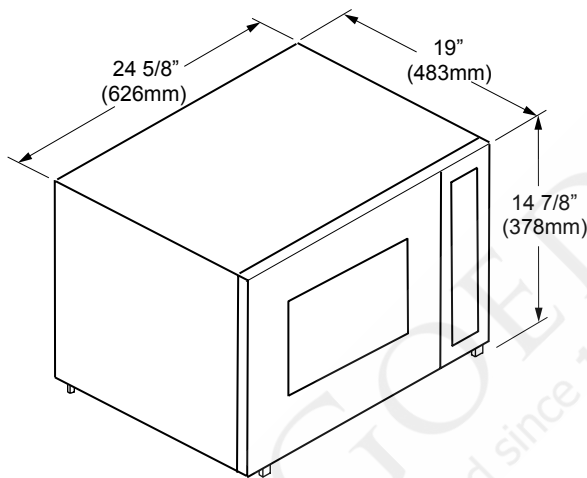
PLANNING GUIDE



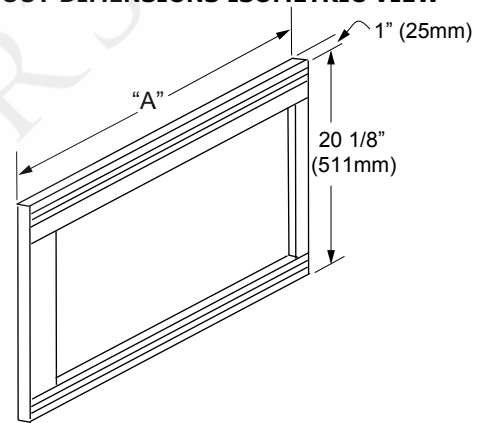
MICROWAVE AND TRIM KIT



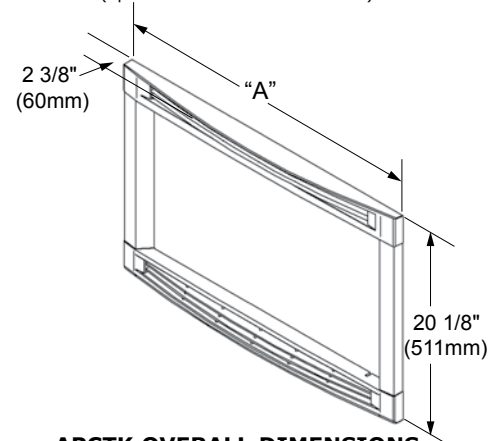
CUTOUT DIMENSIONS ISOMETRIC VIEW



DCM24 OVERALL DIMENSIONS



ACTK OVERALL DIMENSIONS
(Epicure™ or Millennia™ Trim Kit)



APCTK OVERALL DIMENSIONS
(Preference™ Trim Kit)



NOTE:

1. 24" (610mm) minimum exterior cabinet depth.
2. See the Combination Installation (CI) Section if installing with a wall oven, or warming oven.
3. 3/4" (19mm) support platform (flush with cutout).
4. Microwave is supplied with a 48" (1219mm) power cord, with a three prong grounded plug.

Model No.	"A" Overall Width	"B" Cutout Width	Trim Kit Overlays	Dedicated Circuit Required	Total Connected Load	Approximate Shipping Weight
DCM24	-	-		120VAC, 60Hz, 15A (Breaker)	1.6kW (13A)	60 lbs.
ACTK27	27" (686mm)	25 1/4" (641mm)				15 lbs.
ACTK30	30" (762mm)	28 1/4" (718mm)				16 lbs.
ACTK36	36" (914mm)	25" (635mm)				20 lbs.
APCTK27	27" (686mm)	25 1/4" (641mm)				19 lbs.
APCTK30	30" (672mm)	28 1/4" (718mm)				20 lbs.