



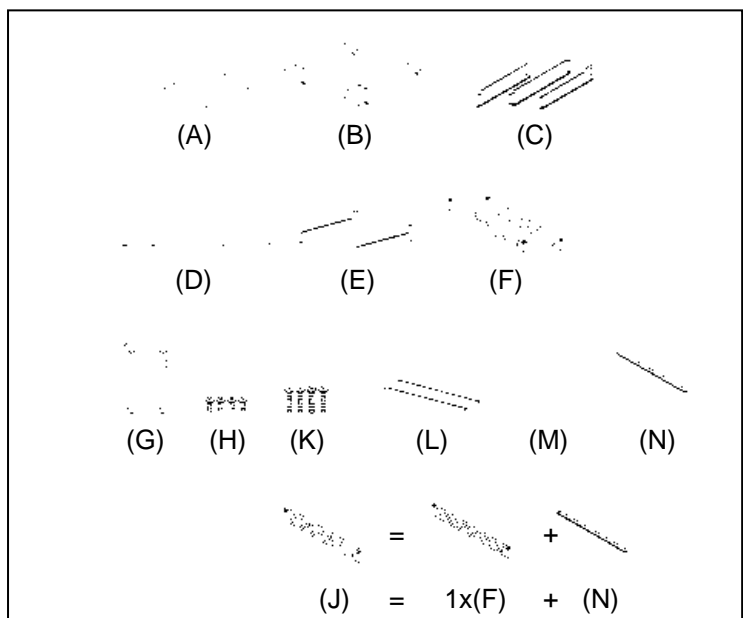
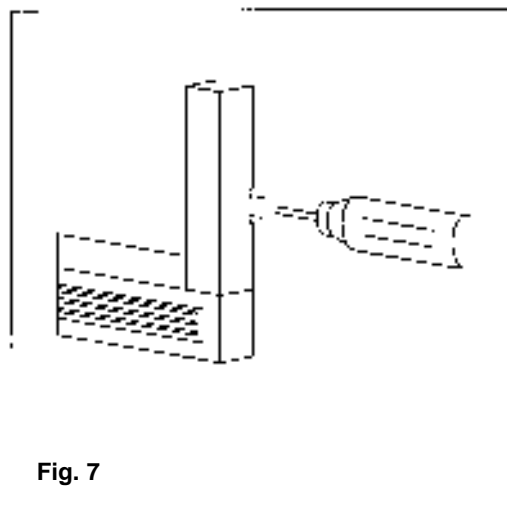
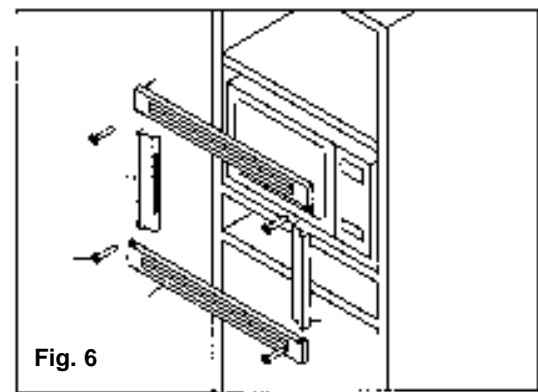
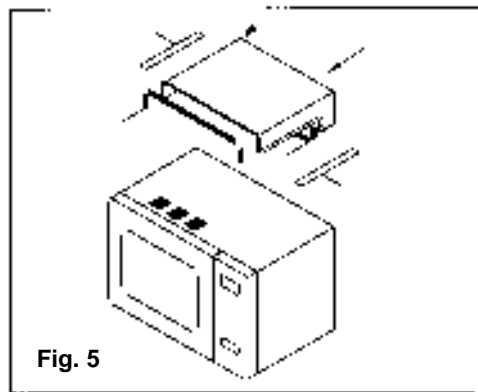
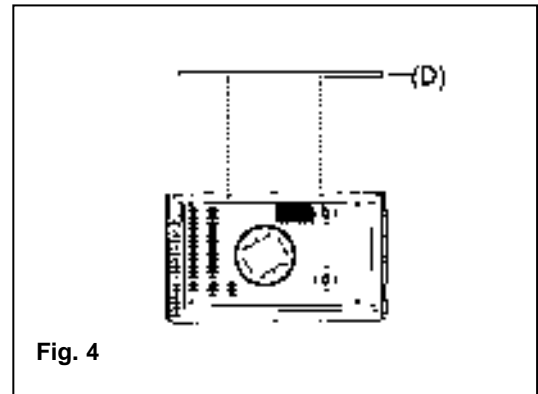
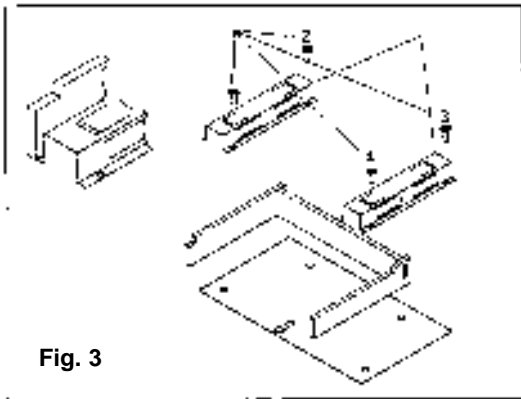
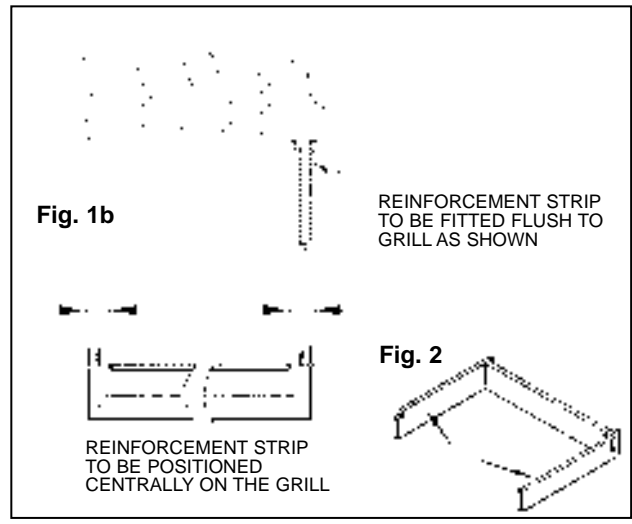
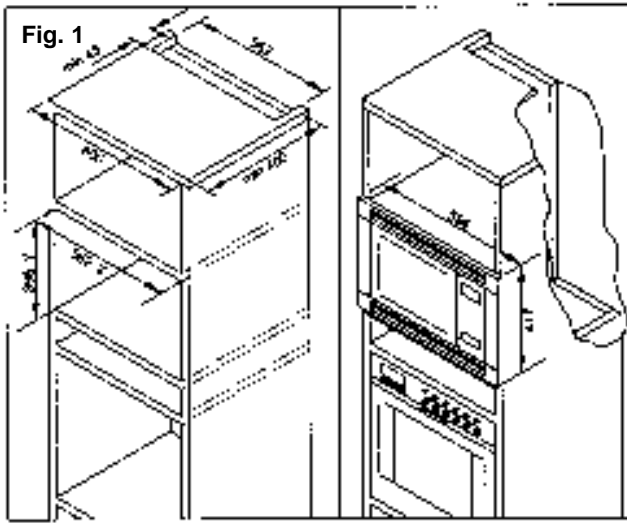
***MBO50 & MBO55
BUILT-IN MICROWAVE OVENS***

Installation Instructions

Retention of this Instruction Book...

This Instruction Book must be kept handy for reference as it contains important details on the safe and proper use of the appliance.

If you sell or pass the appliance to someone else, or move house and leave it behind, make sure this Book is also provided so the new owner can become familiar with the appliance and safety warnings.



A. Please read these instructions carefully before you begin

1. The microwave oven can be installed into a 600mm wide Cabinet. The installation cavity must have the following internal dimensions:
Height: 395mm (± 2mm)
Width: 562x570mm
Depth: At least 400mm
Vent: Min 45mm x 562mm applicable to all panels.
(Ensure the vent is not obstructed)
See Fig. 1.
2. The shelf must be able to support a weight of 15kg.
3. In the event of appliance failure, switch off the oven by switching off at the wall switch and removing the mains plug from the socket, or by isolating the supply from the main fuse-box. Trim kit should be removed (see section E) prior to taking out the oven from the cabinet.

Electrical Connections

The appliance is already fitted with a plug and may only be connected to a correctly installed earthed socket. Only a qualified electrician may install or relocate a socket outlet. The plug must be accessible after installation unless an isolator switch is used to disconnect all poles having a contact gap of at least 3mm in each pole.

Contents

A	Paper template	1 piece
B	Carrier rails	2 pieces
C	Foam exhaust guide set	3 pieces
D	Blanking plate	1 piece
E	Metal exhaust guide	1 piece
F	Grille	2 pieces
G	Side trims	2 pieces
H	Screws (short)	4 pieces
K	Screws (long)	4 pieces
L	Cushions	2 pieces
M	Black Tape Strips	2 pieces
N	Reinforcement Bracket	1 piece

J Top Grille (with metal strip) 1 piece

Please note that this part has to be assembled using 1 Grille (F) and the Reinforcement Bracket (N). See Fig. 1b for assembly instructions.

Also check that all the contents are available before commencing work.

B. Preparing the cupboard for installation

1. Mark the centre of the cabinet shelf. Place the paper template **(A)** onto the shelf, ensuring that the arrow on the template is on the centreline and flush to the front leading edge of the cabinet shelf.
2. Using a 3mm drill bit, pre-drill the 4 holes marked on the template for attaching the carrier rails. When this is done remove the template.
3. Fold template **(A)** along the dotted line, reposition the template to the centre of the cabinet shelf and mark around the corners. Once completed remove the template.
4. Fit the carrier rails **(B)** onto the cabinet shelf using the 4 small screws **(H)** provided **(Fig. 3)**.

5. Assemble the foam exhaust guide pieces together by interlocking the tabs into the holes, to obtain the assembly shown **(Fig. 2)**.
6. Peel the backing strip off the adhesive side of the assembled exhaust guide, then fit it to the cabinet using the left hand edge of the left carrier rail to align the one side, then use the lines drawn on the cabinet to align the other remaining parts of the exhaust guide.
N.B. Access will be required to accommodate the plug top/mains cable.

C. Preparing the microwave oven for installation

1. Remove the 2 screws shown in **(Fig. 4)** from the underside of the oven base below the door. Then use these screws to attach the blanking plate **(D)** to this area of the oven.
2. Remove the screw at the rear right top of the oven (viewed from behind the oven).
3. Attach cushion strips **(L)** to the front and rear flanges of the oven exhaust guide **(E)**. As shown in **(Fig. 5)**.
4. Hook the Oven exhaust guide **(E)** into the rear panel of the oven **(see arrow - Fig. 5)**. Secure the Exhaust guide **(E)** onto the rear panel of the oven using screw removed earlier. Then fit black tape strips **(M)** to the left and right flanges to seal this part to the top of the microwave oven. See **(Fig. 5)**.
5. Rest the microwave oven on the carrier rails **(B)**. Plug the power cord into the wall mains outlet via hole cut in the back of the cabinet. Ensure that the feet of the oven are located into the recesses.
N.B. Care should be taken when fitting the microwave oven, so as not to pinch the foam pieces and the power cord during installation. Therefore an assistant may be required.

D. Attaching the Plastic Grilles and Side Trims

1. Centralise and align the frame pieces to the front of the cabinet and mark the position of the screw holes, and then drill holes using a 3mm drill bit.
2. Loosely attach the top and bottom grille pieces **(F/J)** to the front of the cupboard using the screws **(K)** provided as shown in **(Fig. 6)**. Ensure that grille piece **J** is fitted at the top.
3. Hold the side trim pieces **(G)** against the oven and align the top and bottom grill vents **(F/J)**. Ensure there is an equal gap between the oven and the trim pieces.
4. Tighten up the screws **(K)**.
5. Press and clip the side trims **(G)** into place, between the top and bottom grills on the edge of the cabinet.

E. Removing the Plastic Grills and Side Trims

Insert a flat bladed screwdriver into the slot of the side trim pieces **(G)** and prise them off. See **(Fig. 6)**. Remove the screws fixing the top and bottom grill vent pieces. Ensure that the screwdriver does not slip as to avoid causing damage to the side trim pieces.