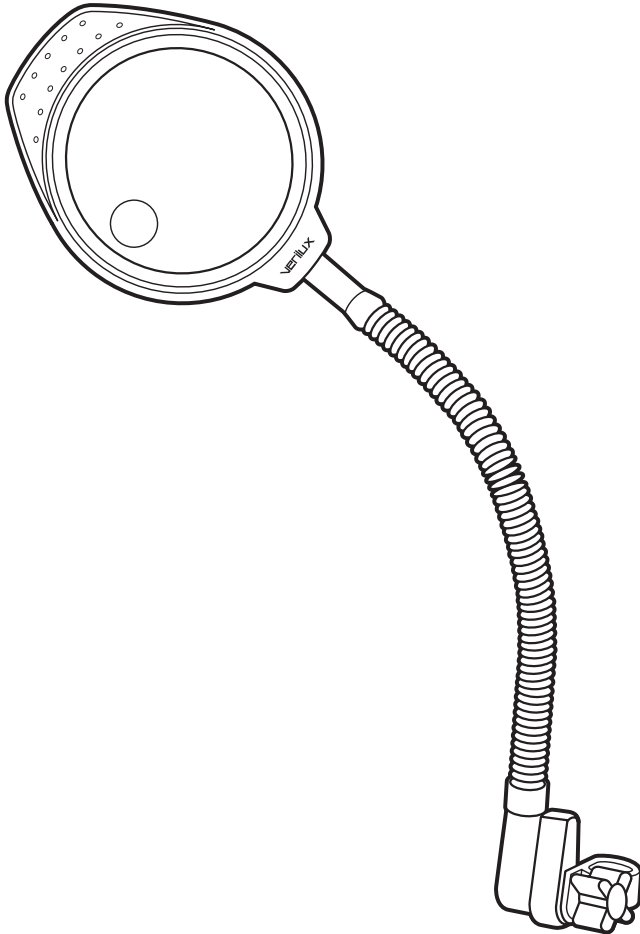


verilux[®]
The Healthy Lighting Company™



Magnifier

For Original & EasyFlex® Floor Lamps

VM01



Dear Customer,

Thank you for purchasing the Verilux® Deluxe Magnifier. You have received an innovative and quality manufactured product, backed by a one-year limited warranty. As a Verilux® customer, your satisfaction means everything to us. We look forward to serving you now and in the future.

Many other healthy lighting products are available through our catalog and online. Visit us on the web at www.Verilux.com to request a free catalog and learn more about all our quality Verilux® products, or call our toll-free number 1-800-454-4408.

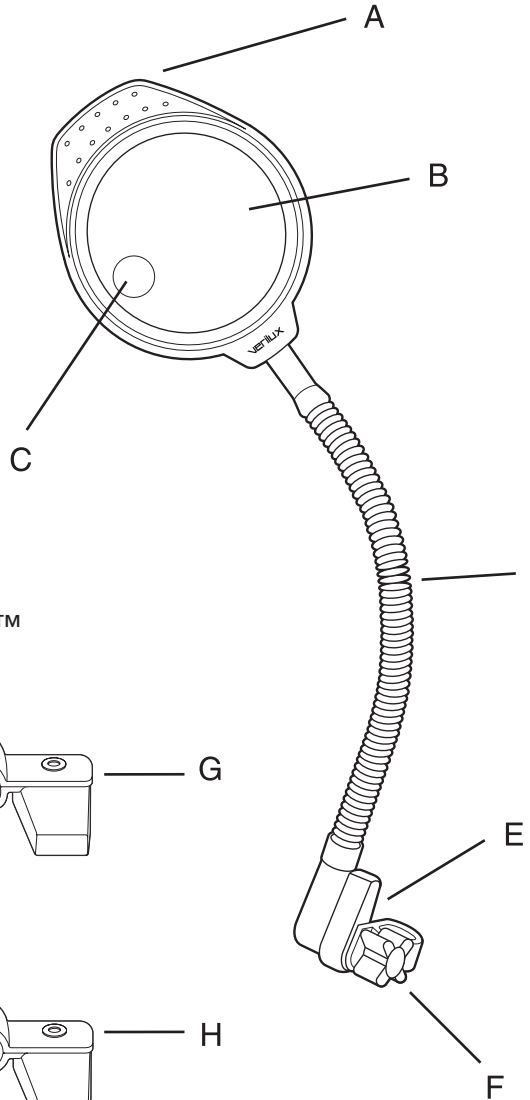
Have a Bright Day!

Nicholas Harmon
President and CEO

MAGNIFIER PARTS

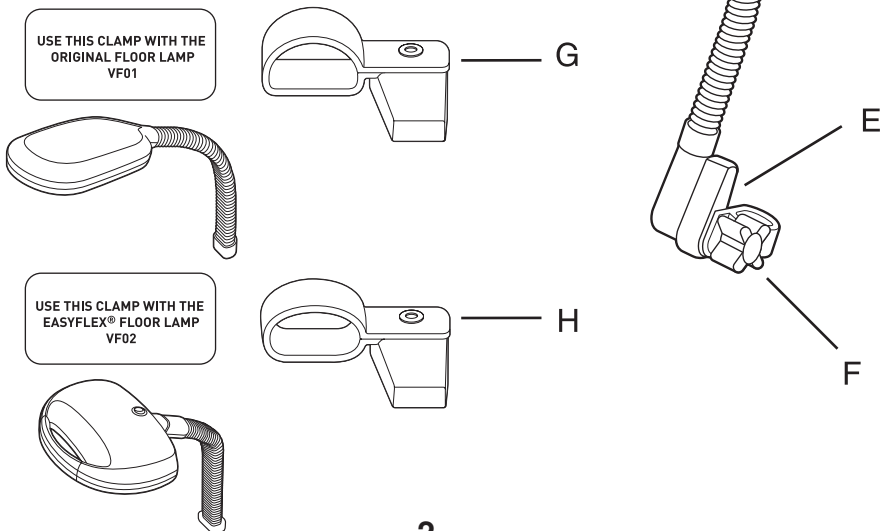
Main Parts

- A. Handle
- B. 2X Magnifier Lens
- C. 6X Spot Lens
- D. Gooseneck Arm
- E. Clamp Assembly
- F. Tightening Knob



Additional Parts

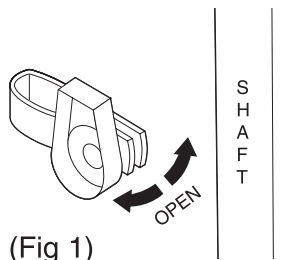
- G. Adapter clamp for Original Deluxe Floor Lamp (VF01)
- H. Adapter clamp for EasyFlex™ Deluxe Floor Lamp (VF02)



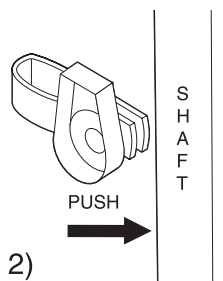
INSTRUCTIONS FOR ATTACHMENT

To attach the Verilux® Deluxe Magnifier to your floor lamp:

1. Remove magnifier from packaging.
2. Locate the adapter clamp that corresponds to your Verilux® Floor Lamp model.
3. Open the adapter clamp wide enough to fit around the lamp shaft (Fig 1).



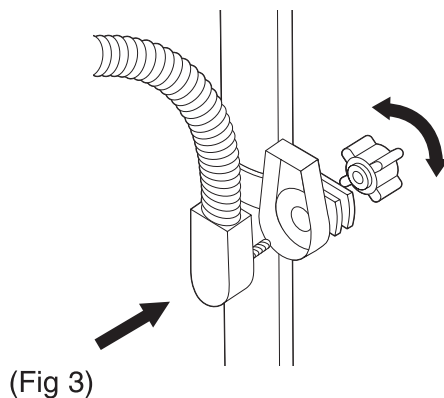
4. Snap clamp in place at the desired mounting height (Fig 2).



5. Unscrew and remove the tightening knob on the end of the magnifier arm by turning counterclockwise.
6. Insert the magnifier into the adapter clamp and secure with the tightening knob, turning clockwise (Fig 3).

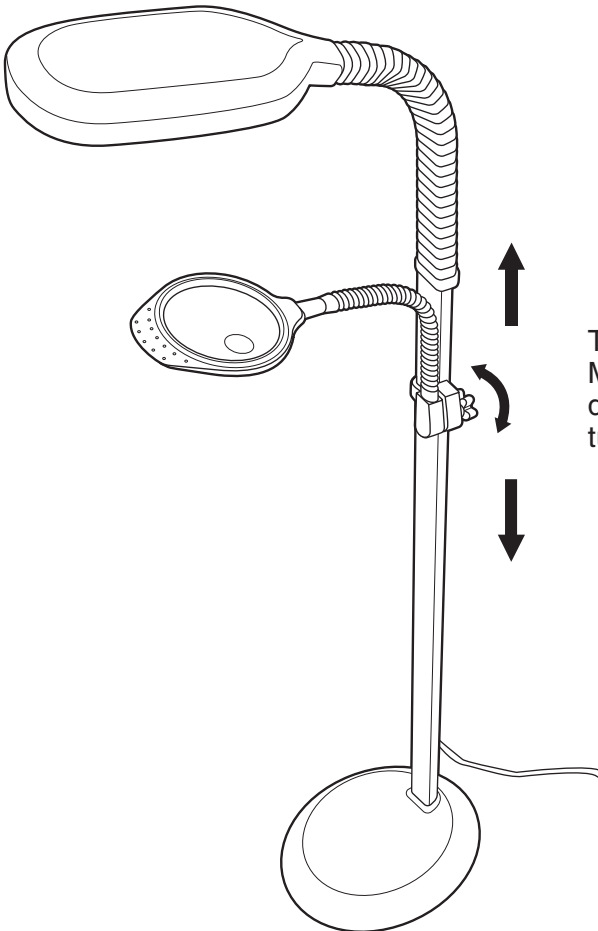
7. Remove the protective film from magnifier lens and wipe lens clean with the microfiber dusting cloth provided.

NOTE: Do not attach magnifier to logo area on lamp shaft, or to gooseneck.



ADJUSTING THE MAGNIFIER

1. Turn the tightening knob counterclockwise to loosen the adapter clamp.
2. While holding the lamp shaft steady, slide the magnifier up or down to the desired position.
3. Turn the tightening knob clockwise to secure.
4. Use the magnifier handle to position the magnifier as needed.



The Verilux® Deluxe Magnifier moves up and down easily with the turn of a knob.

CARE & CLEANING

NOTE: The lens is made of optical quality acrylic. To avoid scratches clean only with the microfiber dust cloth supplied, or unplug lamp and use a soft cloth and warm soapy water.

NEVER USE ABRASIVE CLEANERS OR AMMONIA-BASED WINDOW CLEANER.

IMPORTANT SAFETY INFORMATION



WARNING - RISK OF FIRE!

Never leave the lens in direct sunlight or place in a position where direct sunlight can shine through the magnifier.

Please visit our web site at: www.Verilux.com

verilux[®]
The Healthy Lighting Company[™]

340 Mad River Park, Waitsfield, VT 05673