

# SKM 1030

## RF Wireless Systems | Tour-Guide Systems

### General Description

The SKM 1030 is a hand-held transmitter for mobile tour-guide systems. Besides its "classic" area of application – guided tours in museums or factories – it can also be used as a transmitter in a mini interpretation system or as a microphone in a talkback system. With the SZU 1032 lavalier clip the radiomicrophone can be worn around the neck.



### General Features

- System for guided tours in factories, museums, etc.
- Narrow-band transmitters and receivers
- Economical operation with rechargeable batteries
- Can also be used as a talkback system or a mini interpretation system

### SKM 1030

- Hand-held transmitter for tour guide
- Lockable microphone on/off switch
- Economical operation with rechargeable BA 1032 accupack
- Super-cardioid condenser microphone head, effectively rejects side-borne noise
- 6 switchable frequencies in the 8 m band
- 100 mW RF output power for reliable transmission
- Delivery includes: 1 hand-held transmitter with antenna

### Product Variants

- SKM 1030-7: Hand-held transmitter with 6 fixed frequencies (36.64; 36.72; 37.04; 37.16; 37.82; 37.98 MHz) Cat. No. 003736
- SKM 1030-7-SF: Hand-held transmitter with 6 frequencies chosen by the customer (30–50 MHz) Cat. No. 003735
- SKM 1030-7-BU: Hand-held transmitter with 6 frequencies chosen by the customer, additional AF input (30–50 MHz) Cat. No. 003737
- SKM 1030-7-UK: Hand-held transmitter with 3 or 6 UK legal frequencies (48–50 MHz) Cat. No. 003738
- SKM 1030-6 F: Hand-held transmitter with 6 French legal frequencies (30–45 MHz) Cat. No. 003734

### Technical Data SKM 1030-7

RF output power .....	≤ 100 mW (-3 dB)
Transmission frequencies .....	6
Frequency range .....	30–45 MHz / 48–50 MHz
Preferred frequencies .....	36.64 / 36.72 / 37.04 MHz 37.16 / 37.82 / 37.98 MHz
Modulation .....	narrow-band FM
Nominal / peak deviation .....	± 8 kHz / ± 15 kHz
AF frequency response .....	80–12,000 Hz (+1 / -3 dB)
Signal-to-noise ratio .....	68 dB(A)
THD .....	< 0.3 %
Power supply .....	1 x 9 V PP3 battery or BA 1032 accupack
Operating time .....	approx. 6 hrs, alkaline approx. 1.5 hrs, BA 1032
Dimensions .....	245 x 38 mm
Weight (incl. batteries) .....	250 g

### Technical Data SKM 1030-7-SF

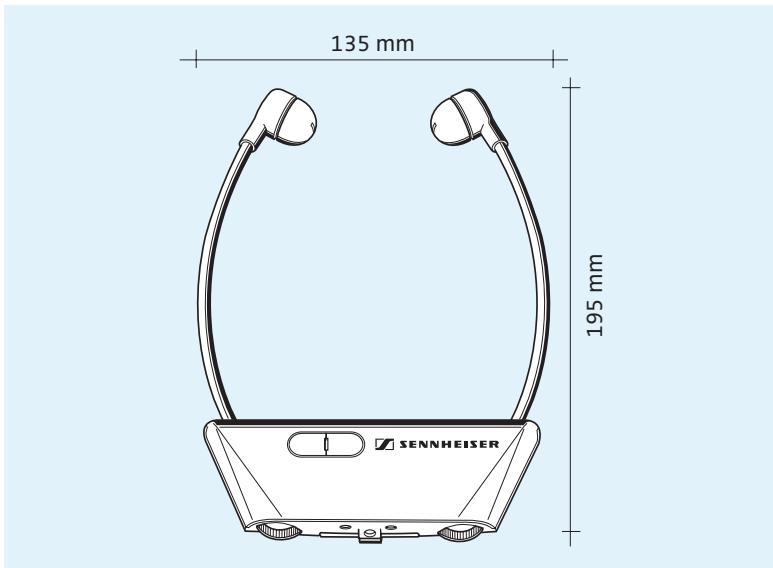
as SKM 1030-7, but:  
Preferred frequencies.....any within the switching bandwidth of 5 MHz

### Technical Data SKM 1030-7-BU

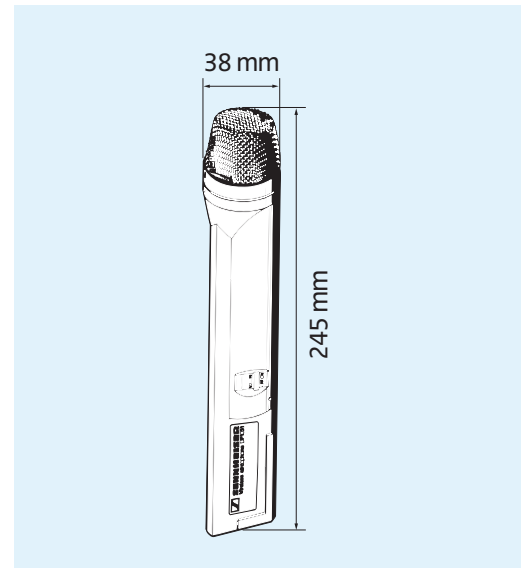
as SKM 1030-7, but:  
AF input ..... 2.5 mm jack, 120 mV

# SKM 1030/HDE 1030

## RF Wireless Systems | Tour-Guide Systems



HDE 1030 dimensions



SKM 1030 dimensions

### Accessories for the hand-held transmitter

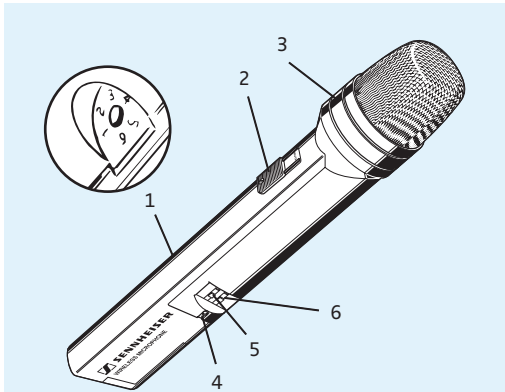
■ SZU 1032 lavalier clip	Cat. No. 003744
■ STH 1051 stand mount	Cat. No. 003646
■ MZW 1032 foam windshield	Cat. No. 003745
■ MZW 1032 PRO velourised foam windshield	Cat. No. 003746
■ BA 1032 accupack	Cat. No. 003796
■ L 1032 charger	Cat. No. 003729
■ NT 1032 plug-in mains unit for charger	Cat. No. 003747
NT 1032-120, USA version	Cat. No. 003748
NT 1032-UK, UK version	Cat. No. 003749

### Accessories for stethoset receiver

■ BA 90 spare accupack	Cat. No. 003261
■ KEN 1030 colour-coded identification markers	Cat. No. 053008
■ Replacement ear-cushions, black	Cat. No. 037080
■ Replacement ear-cushions, transparent	Cat. No. 040949
■ L 90 charger for one BA 90 accupack	Cat. No. 003362
L 90-120 USA version	Cat. No. 003396
L 90-UK UK version	(available from Sennheiser UK)
■ L 92-10 charging unit for 10 BA 90 (w/o PSU)	Cat. No. 003355
■ L 92-20 charging unit for 20 BA 90 (w/o PSU)	Cat. No. 003356
■ L 1030-10 charging unit for 10 receivers (w/o PSU)	Cat. No. 004024
■ KK 1030 cable for connecting 2 charging units (NT 92 powers two units, NT 2013 powers 5 units)	Cat. No. 004125
■ EZL 1030-20L charging case with 2 charging units for 20 receivers (w/o PSU)	Cat. No. 003877
■ NT 92 PSU for up to 2 charging units	Cat. No. 003357
NT 92-120 USA version	Cat. No. 003358
NT 92-UK UK version	Cat. No. 003359
■ NT 2013 PSU for up to 5 charging units	Cat. No. 003433
NT 2013-120, USA version	Cat. No. 003434
NG 2013-UK, UK version	Cat. No. 054332

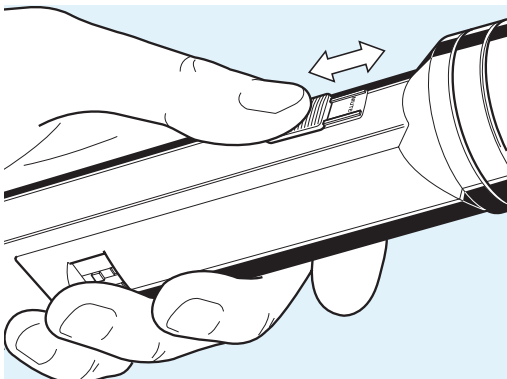
# SKM 1030

## RF Wireless Systems | Tour-Guide Systems

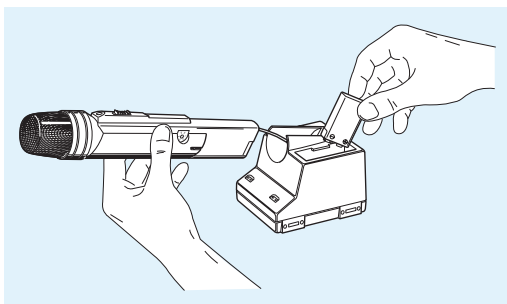


- 1 Channel selector switch (rear)
- 2 Lockable microphone on/off (mute) switch
- 3 AF input (only with SKM 1030-7 BU)
- 4 Charging contacts
- 5 Sensitivity switch
- 6 On/off switch

SKM 1030 operating controls



Microphone on/off (mute) switch



L 1032 charger

The SKM 1030 is a narrow-band hand-held transmitter for use in tour-guide systems. For information on narrow-band technology, please refer to the chapter "Introduction". General information on working with hand-held transmitters can be found in the chapter "Planning Theory".

The microphone on/off (mute) switch is a valuable feature during guided tours. When the guide pauses – e.g. when changing from one room to the other – he switches off the microphone, thus preventing unnecessary noise (this switch does not switch off the transmitter). Six switchable transmission frequencies facilitate working with different sets of receivers. Thus, simultaneous tours – for example in different languages – are also possible. The RF output power of 100 mW is adequate for reaching every listener, even in large factories.

The SKM 1030 is insensitive to handling noise and the super-cardioid pattern of the microphone head suppresses sounds not emanating from the main pick-up direction. The transmitter is therefore also suitable for rough use in noisy industrial environments. An important note for handling: Let the wire antenna hang down loosely, as the efficiency of the antenna would otherwise decrease very markedly.

The SKM 1030-7-BU version has a 2.5 mm mono jack audio input for feeding recordings, e.g. from portable MiniDisc, CD or cassette players, to the transmitter. Some examples: an artist's recorded comments on his or her exhibit in a museum. Or a greeting by a company owner to the participants in a tour of the factory – fed to the transmitter by a personal stereo.

For short tours, economical operation with the rechargeable BA 1032 accupack is recommended. The L 1032 will charge a transmitter with accupack inserted plus an additional spare accupack. The EZL 1030-20L charging and transport case includes room for an L 1032 charger for the transmitter.