



CONFIDENTIAL

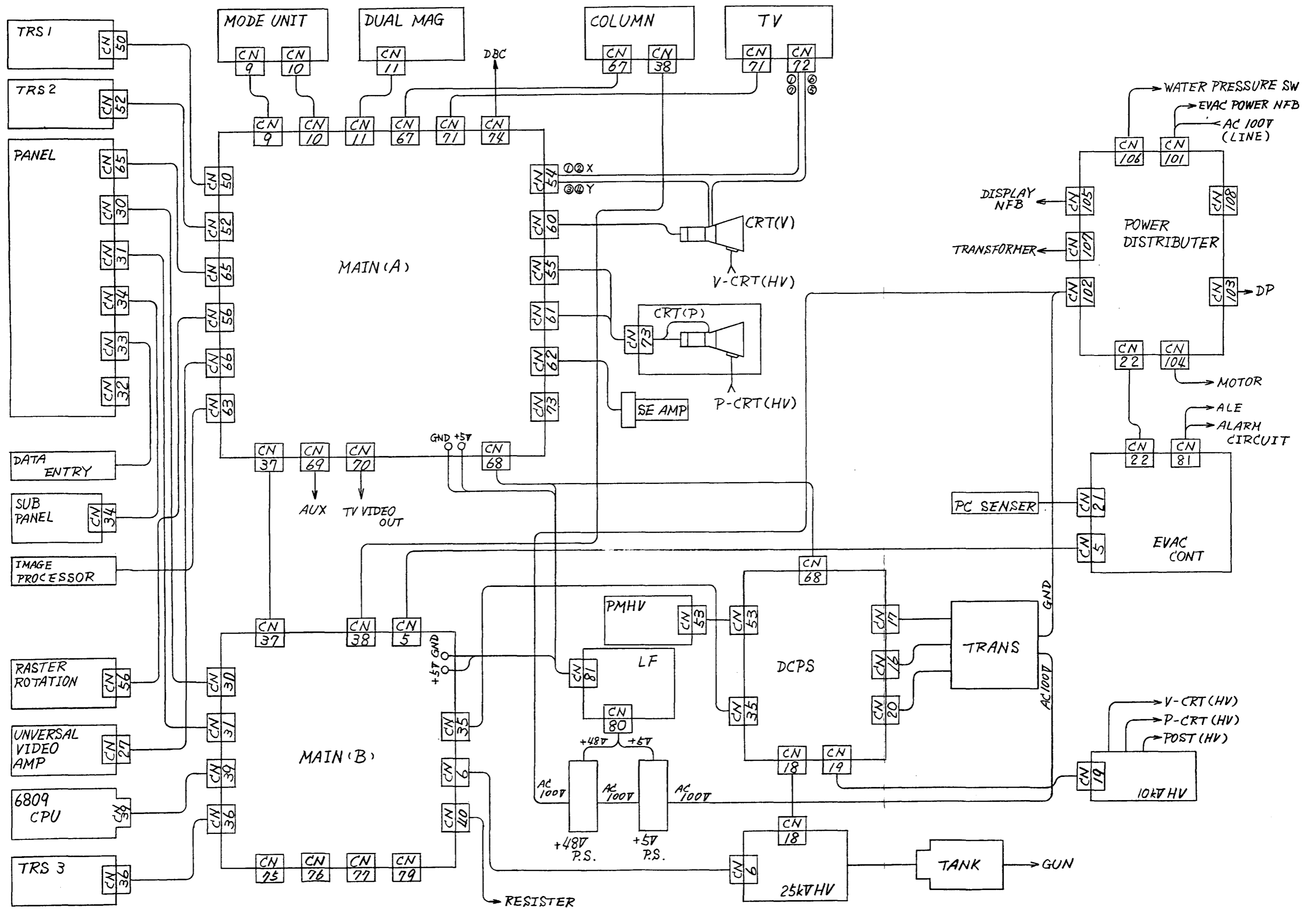
Schematic Diagrams  
for the  
Model S-2300  
Scanning Electron Microscope

**Hitachi, Ltd. Tokyo Japan**

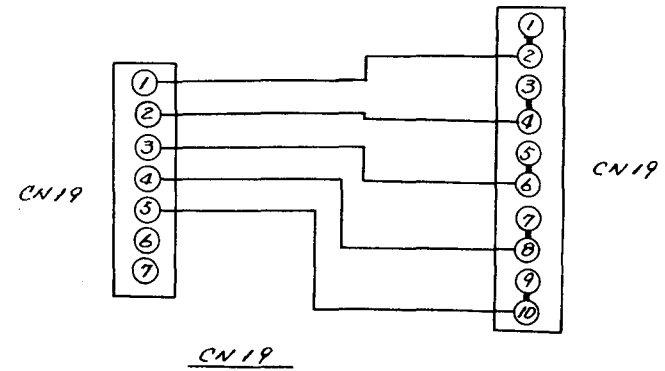
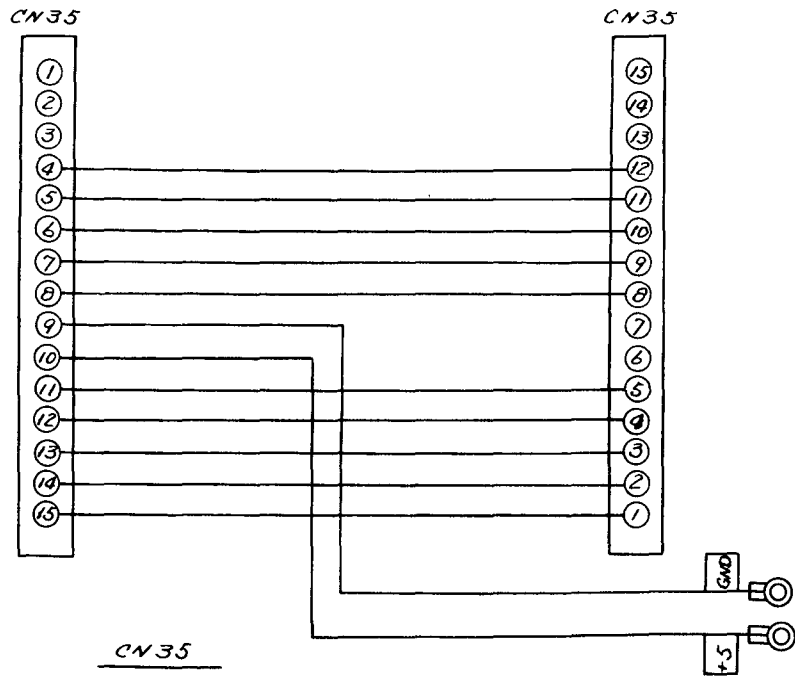
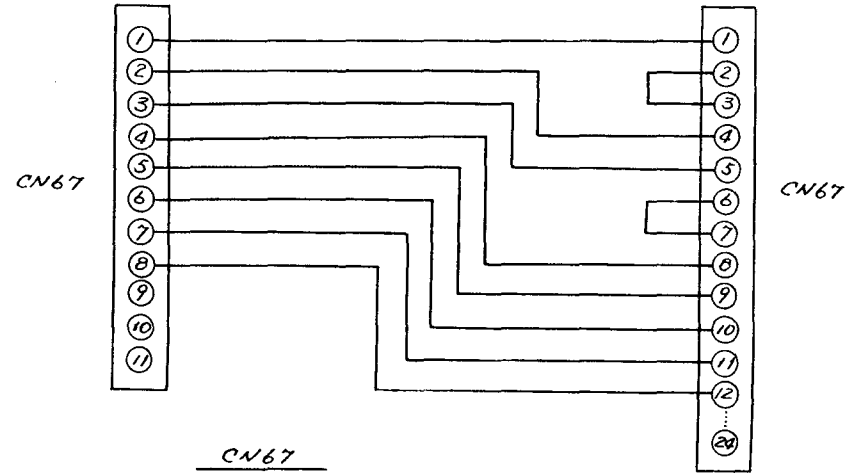
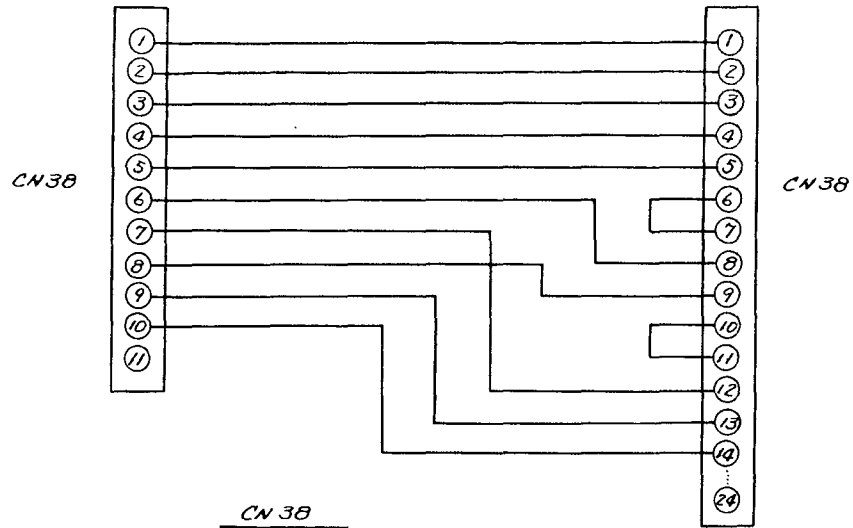
Part No. 48E-9006  
YN-M (FFY-NK)

## TABLE OF CONTENTS

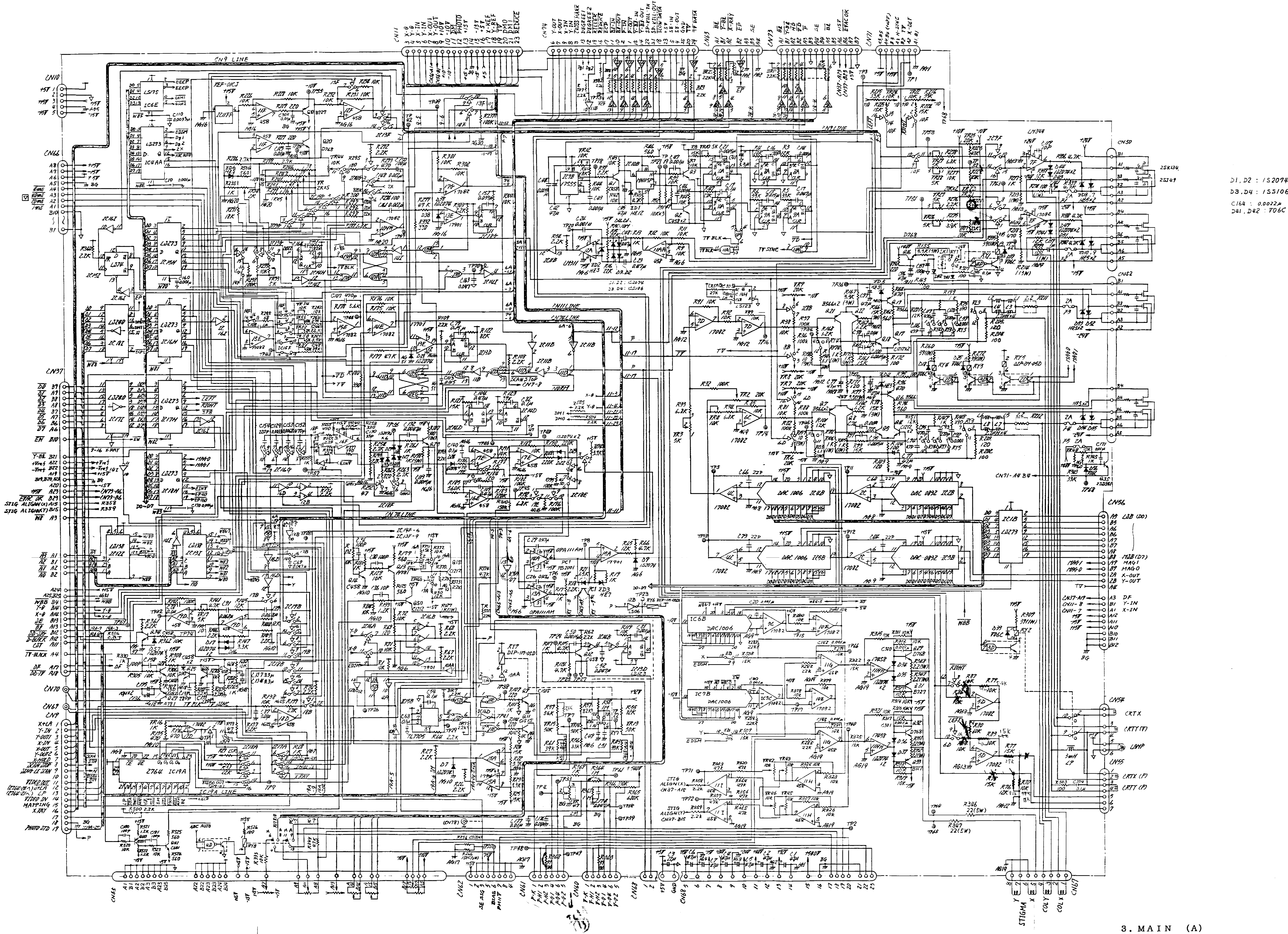
1. WIRING DIAGRAM
2. SPECIAL WIRING CORDS
3. MAIN (A)
4. MAIN (B)
5. 6809 CPU
6. TV-DEF
7. SE AMP
8. PANEL
9. DC POWER SUPPLY
10. 25KV HV POWER SUPPLY
11. 10KV HV POWER SUPPLY
12. EVACUATING SEQUENCE
13. POWER DISTRIBUTER
14. GROUND WIRING DIAGRAM
15. S5303 DUAL MAG
16. S5104 X-RAY MODE
17. S5109 RASTER ROTATION/DYNAMIC FOCUS



1. WIRING DIAGRAM

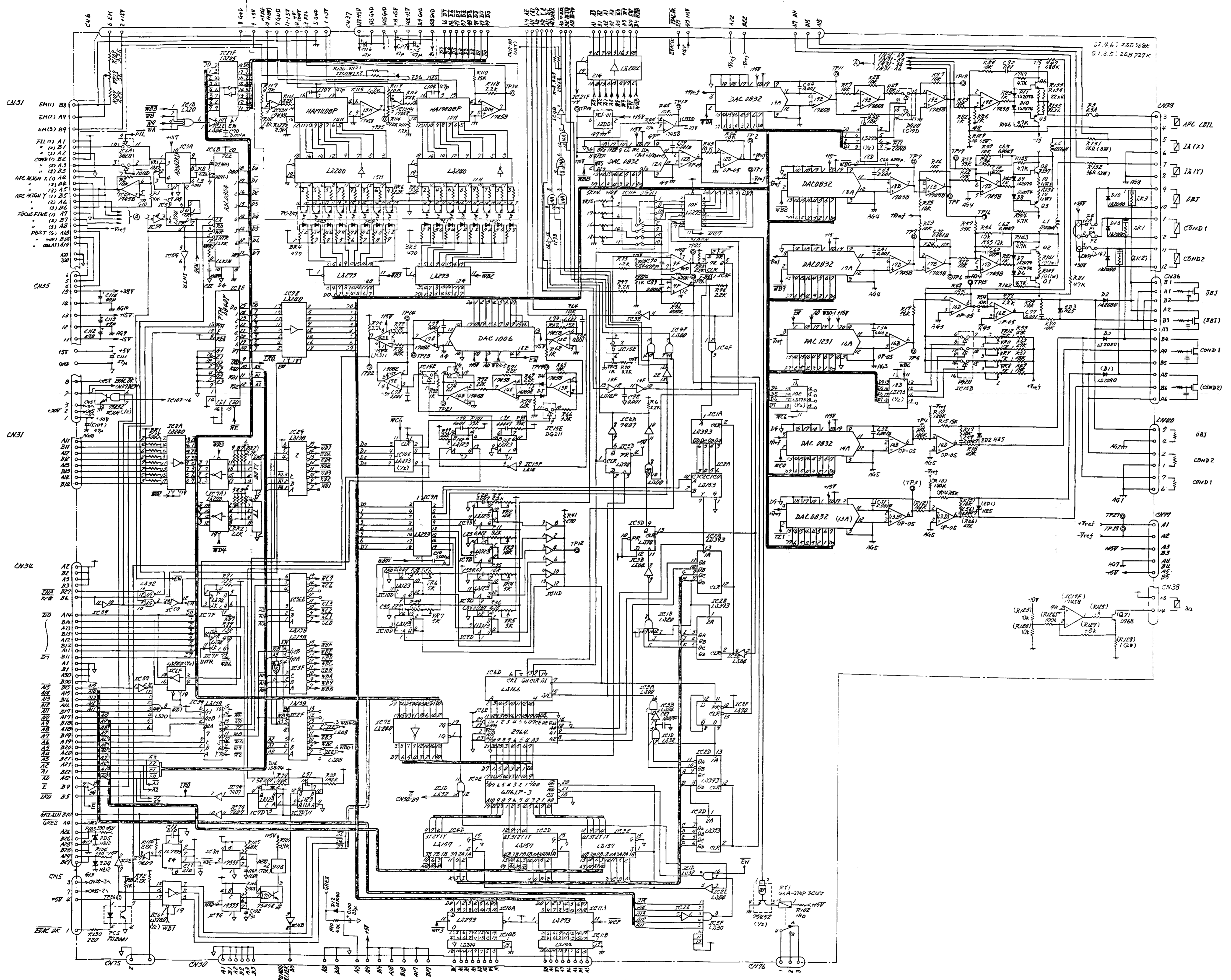


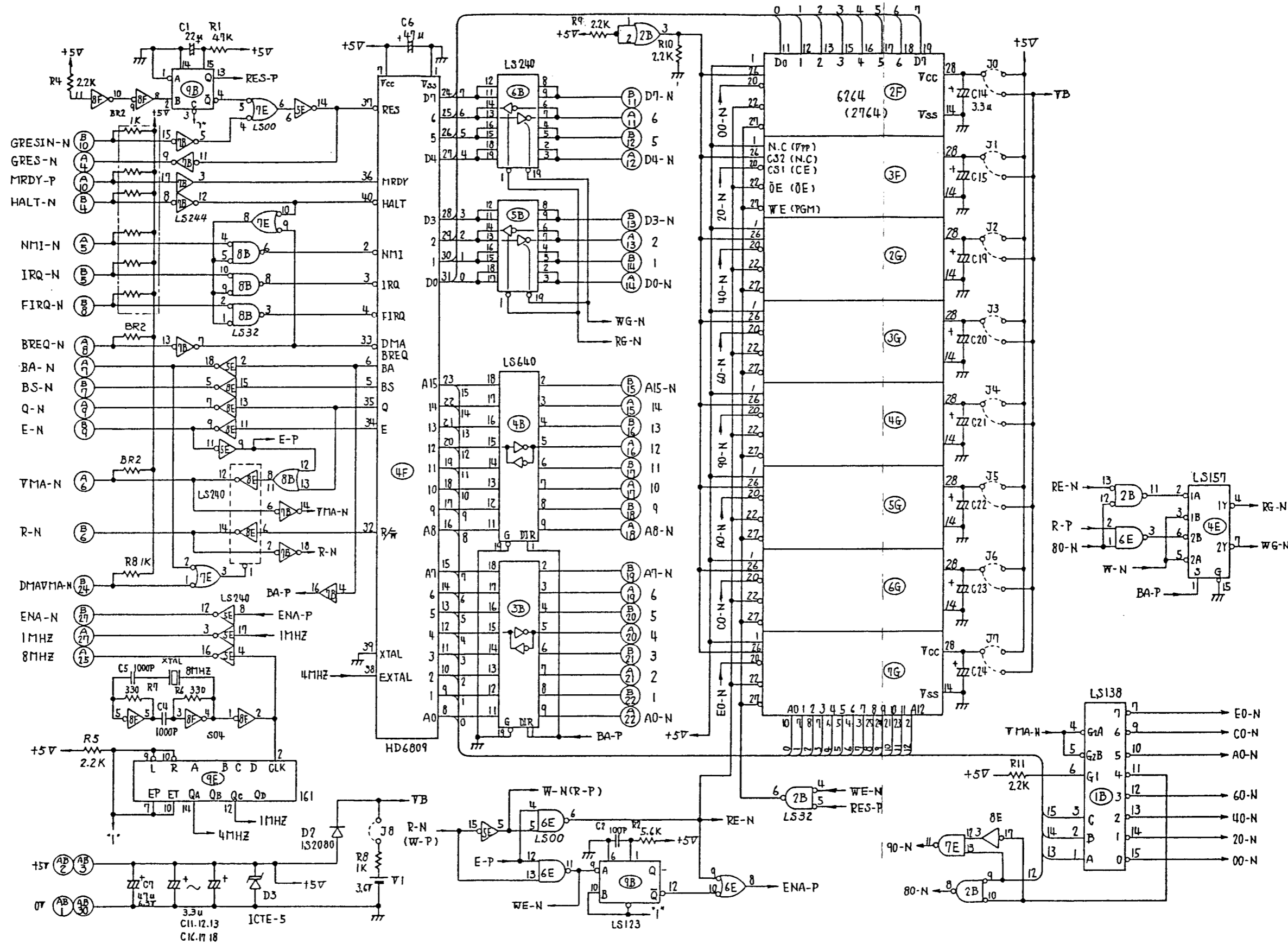
## 2. SPECIAL WIRING CORDS



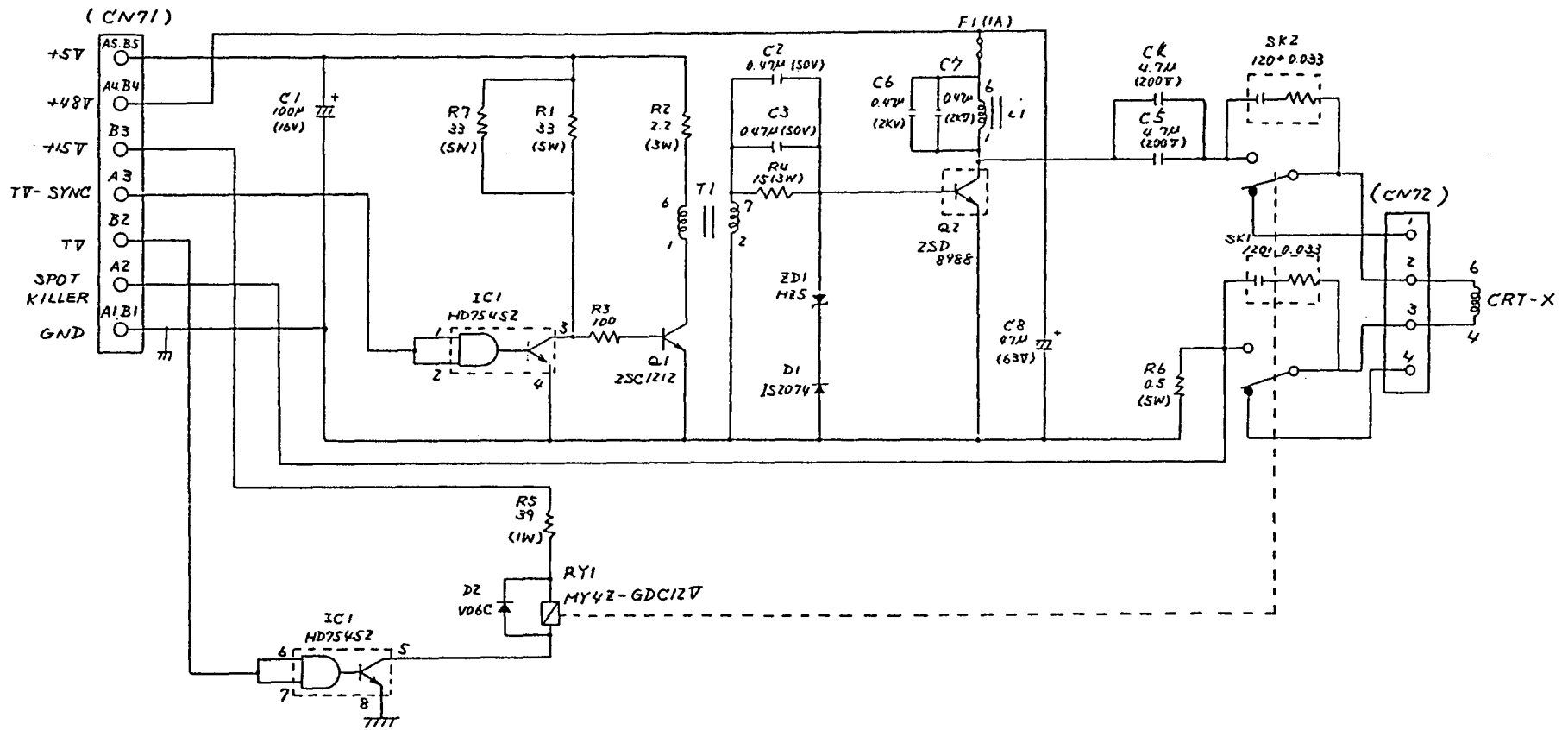
D1, D2 : 1S2074  
 D3, D4 : 1SS106  
 C164 : 0.0022u  
 D41, D42 : 706C





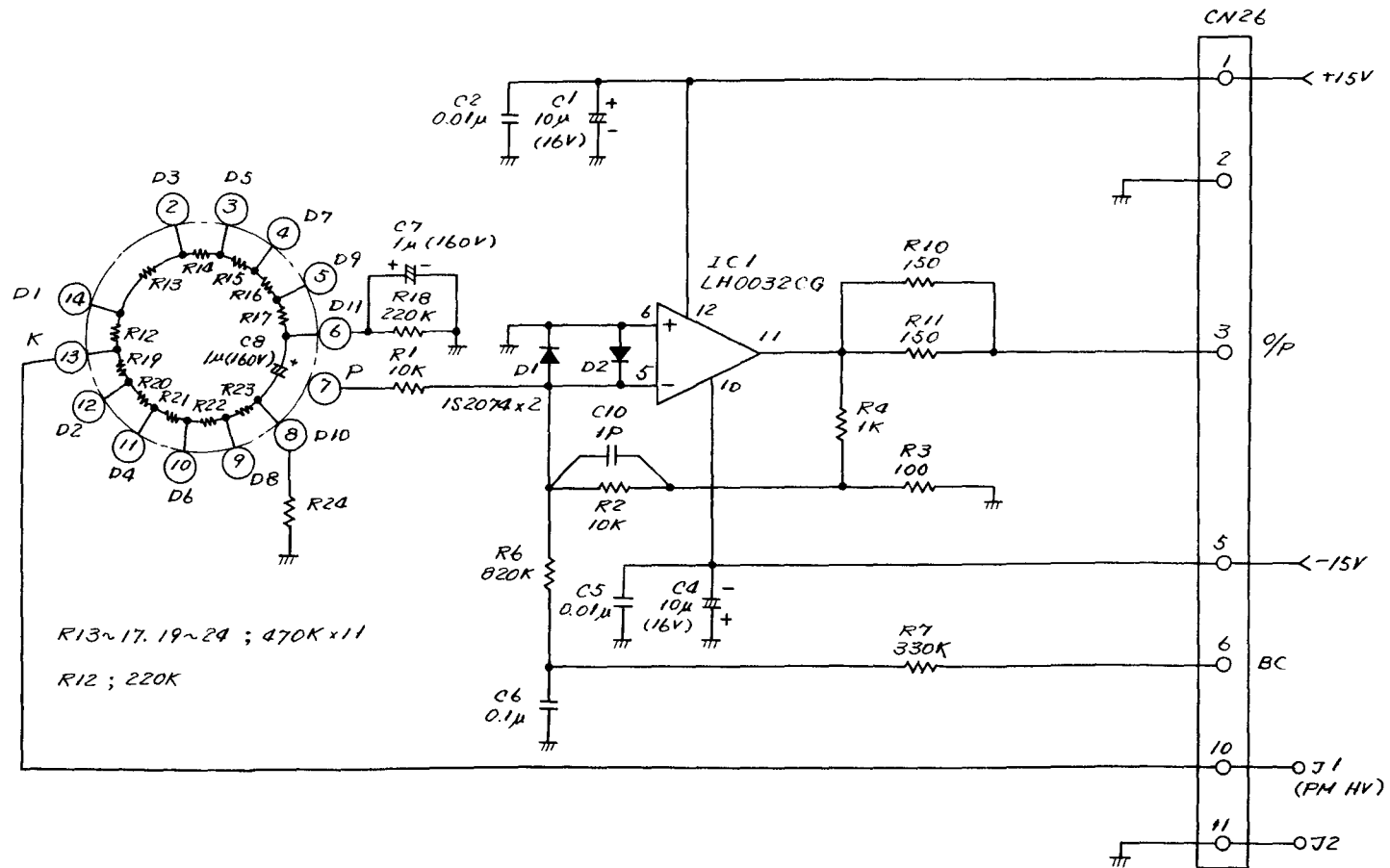


5. 6809 CPU

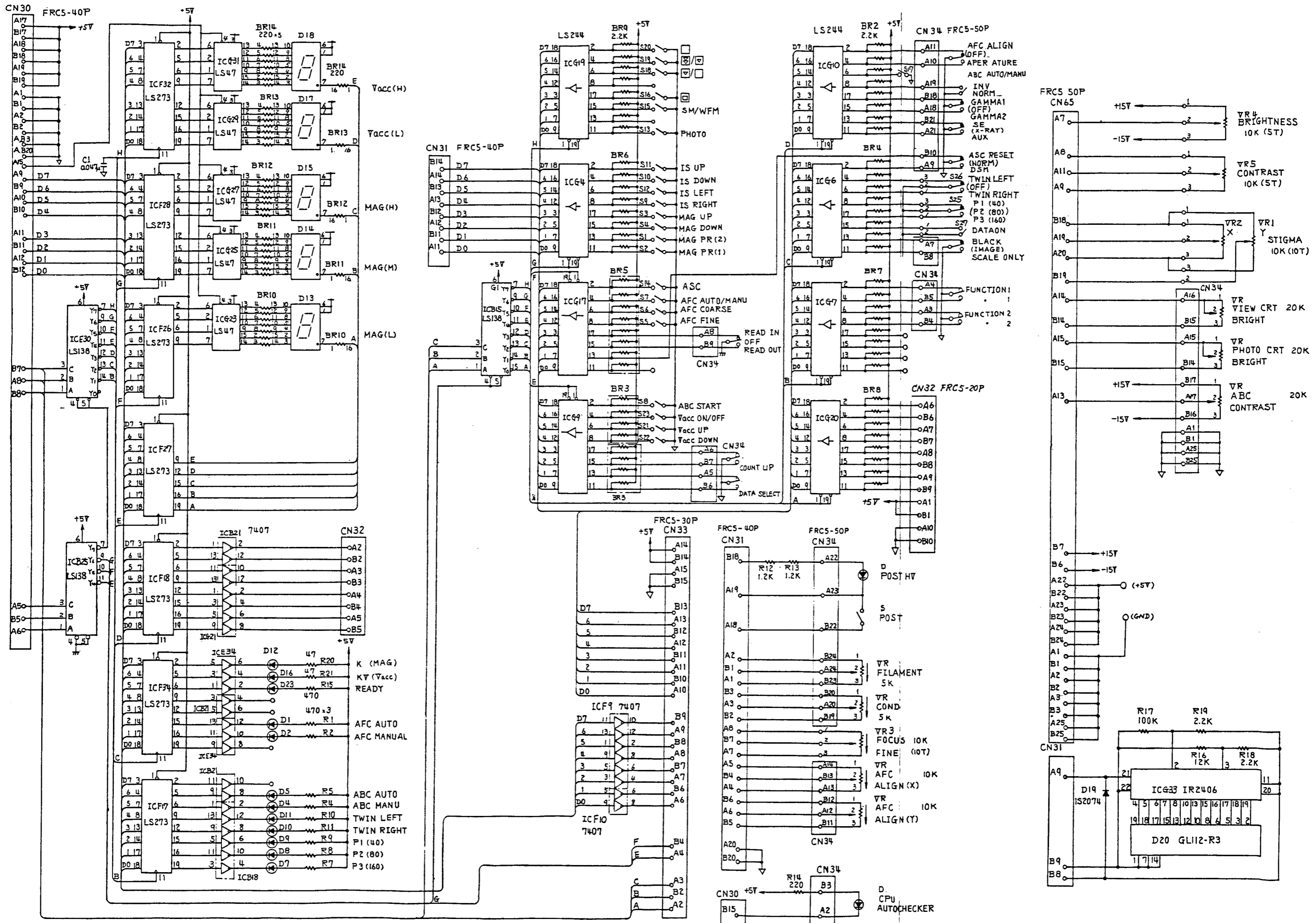


6. TV-DEF

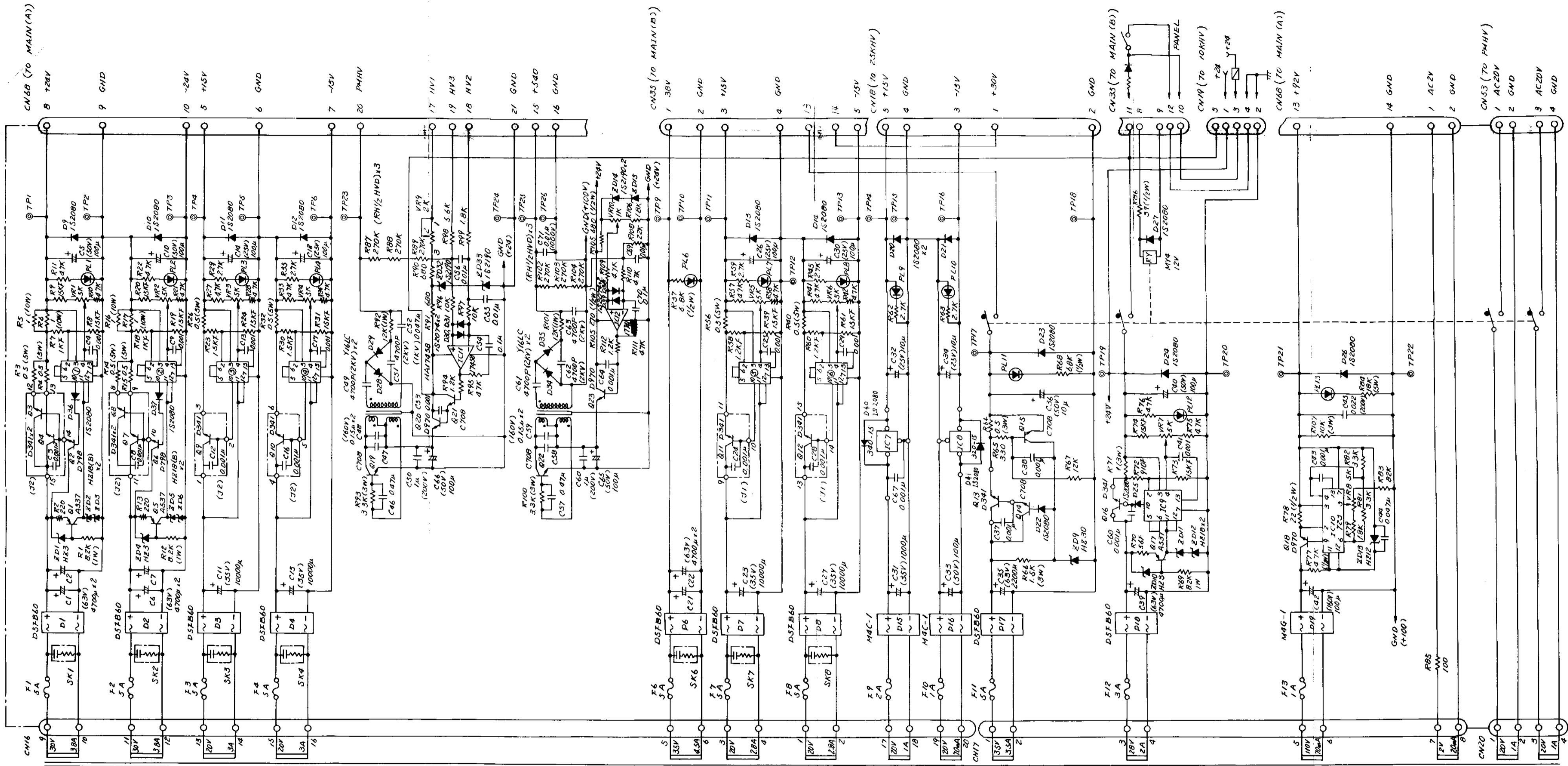




7. SE AMP

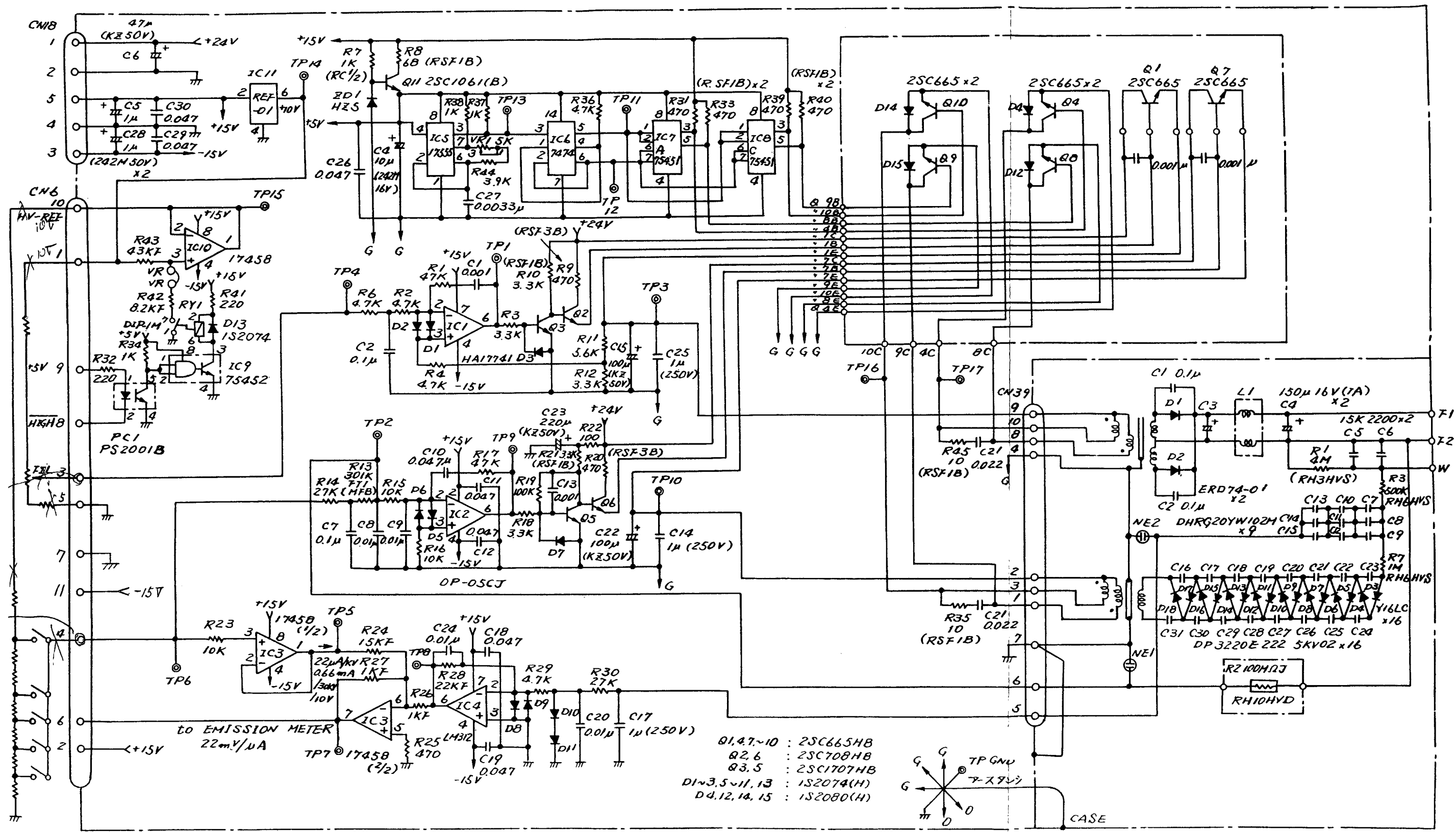


8. PANEL

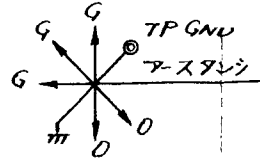


NOTE 1) PL1~4,6~13 : GL-SPRS

NOTE 2) IC1~6,9,10 : HA11723G

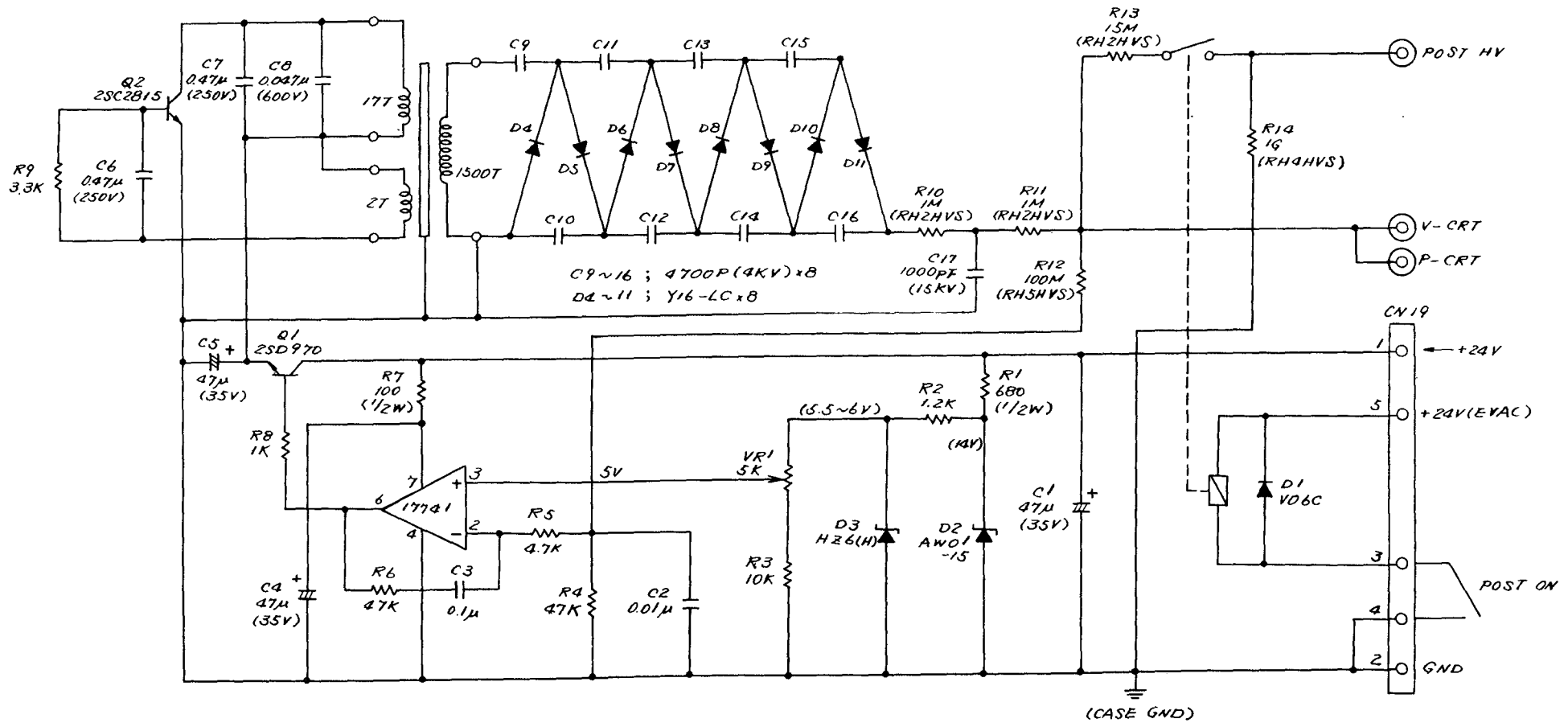


- Q1,4,7-10 : 2SC665HB
- Q2,6 : 2SC708HB
- Q3,5 : 2SC1707HB
- D1-3,5-11,13 : 1S2074(H)
- D4,12,14,15 : 1S2080(H)

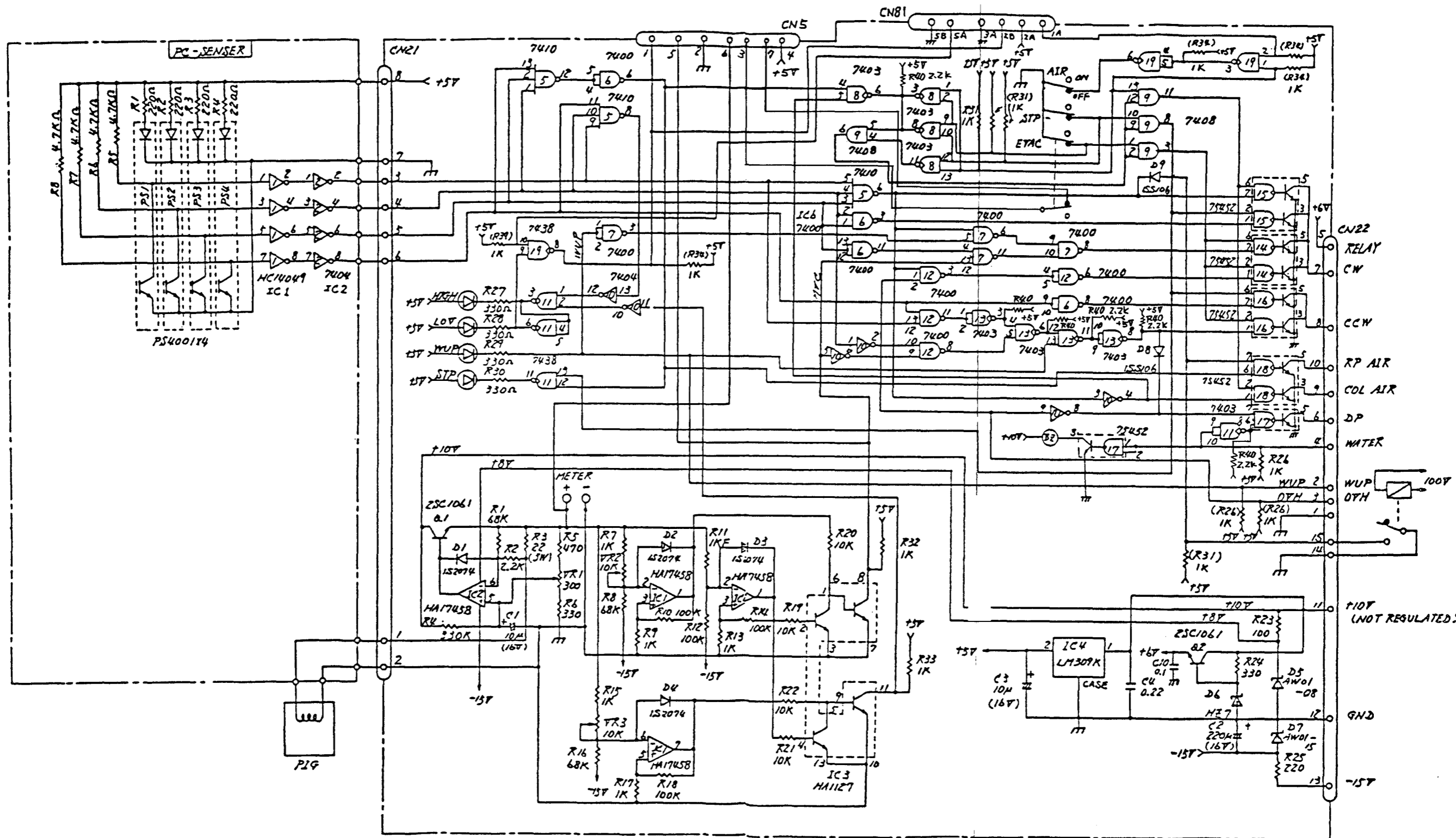


10. 25KV HV POWER SUPPLY



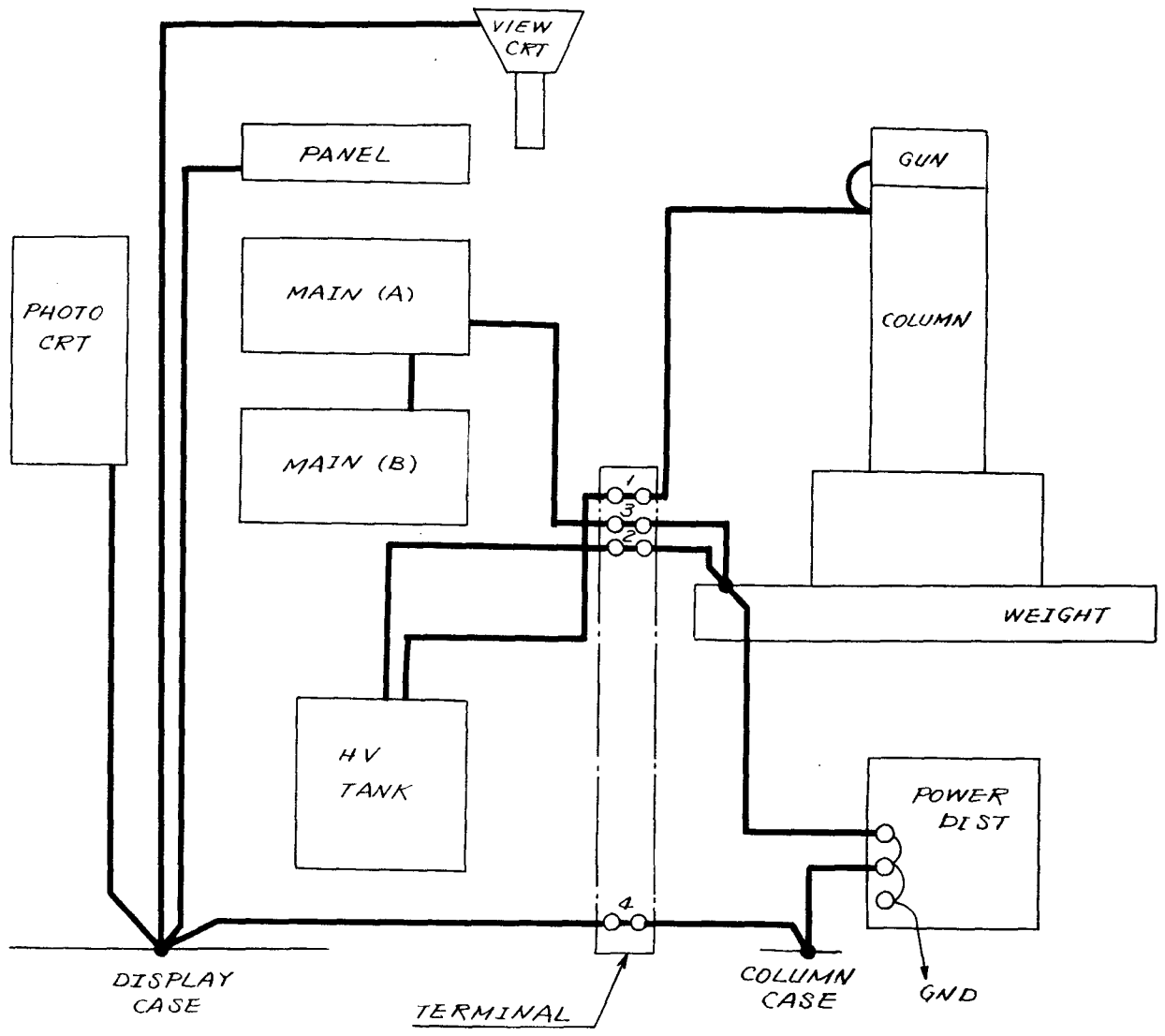


11. 10KV HV POWER SUPPLY



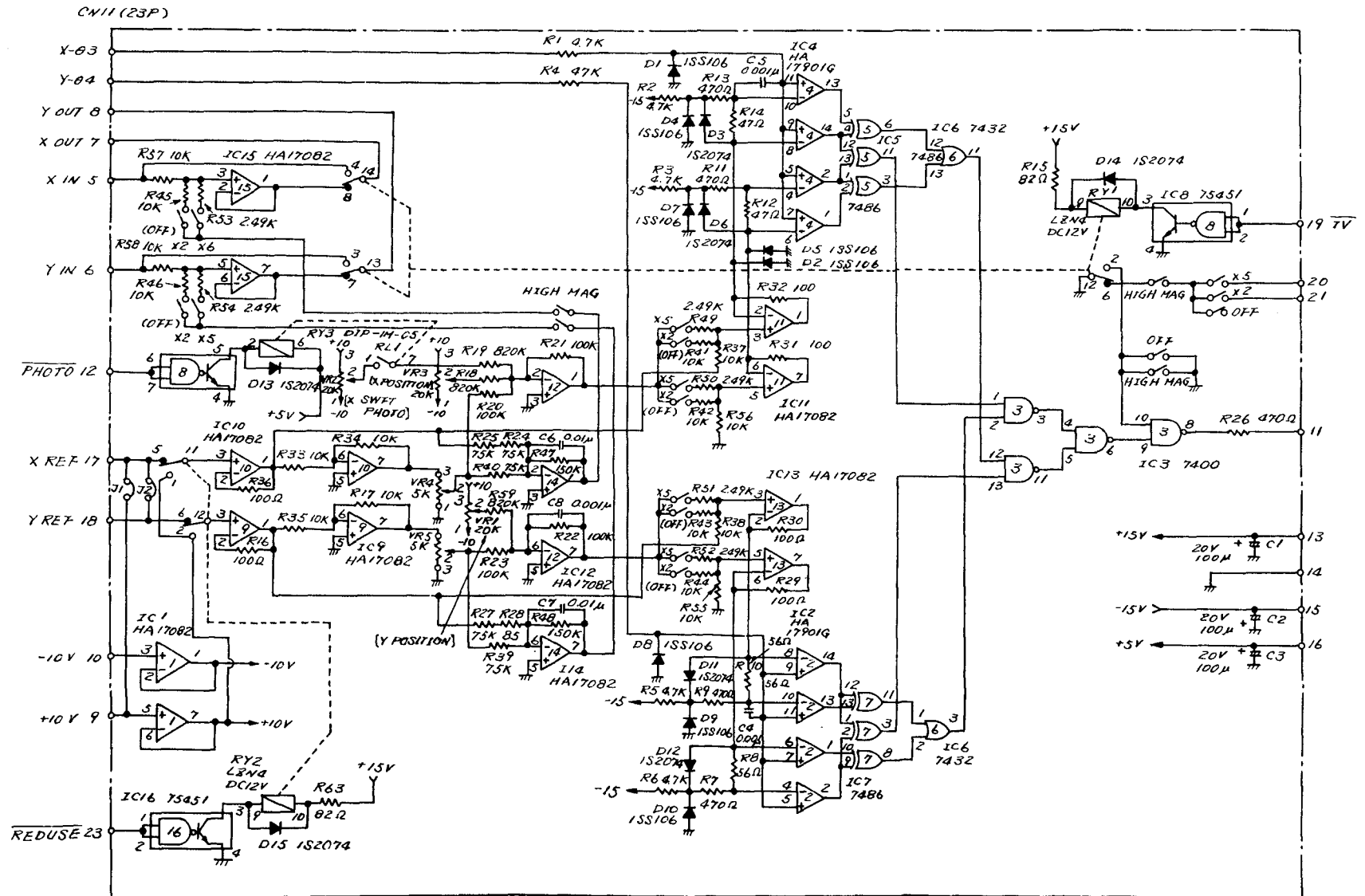
12. EVACUATING SEQUENCE

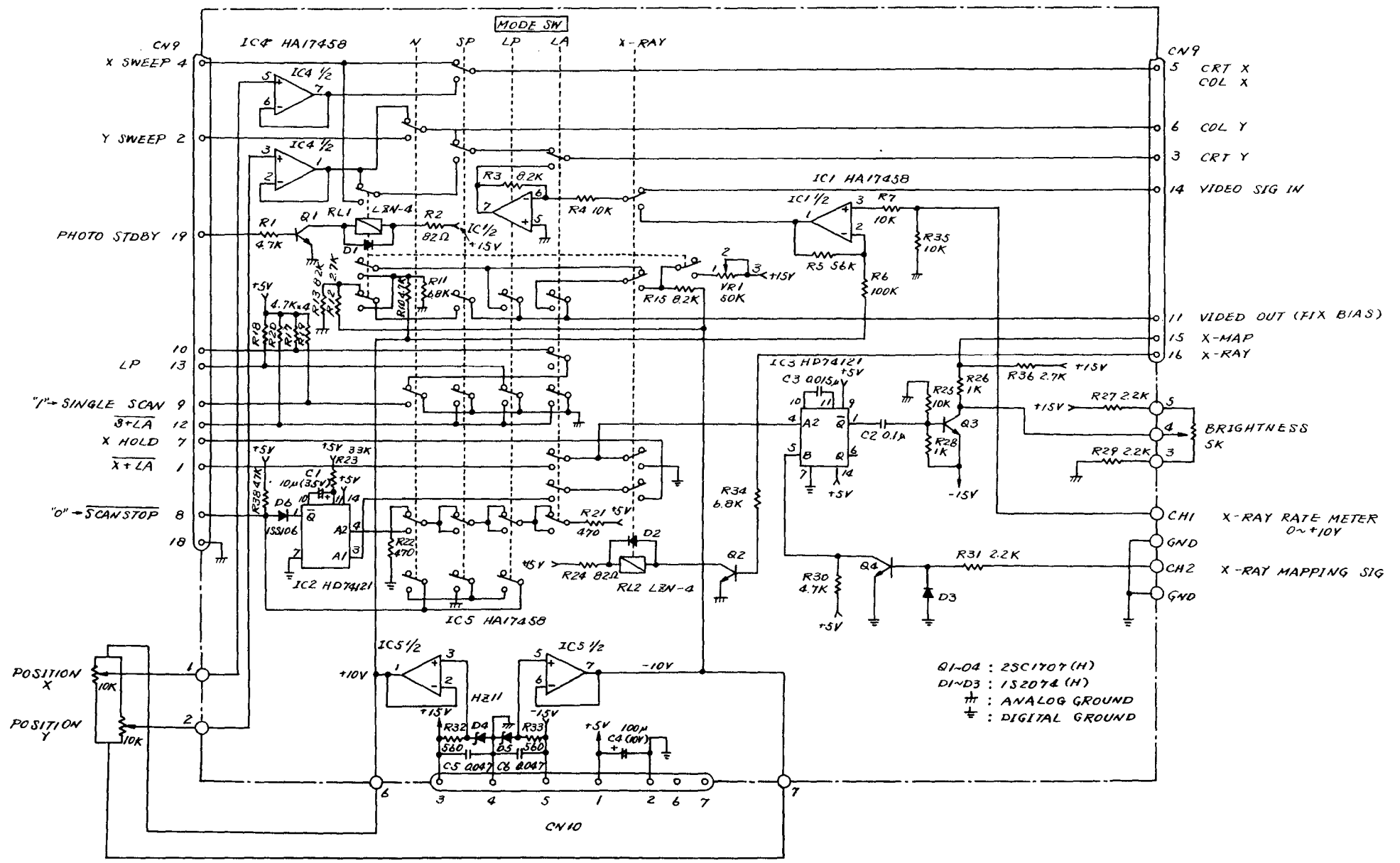




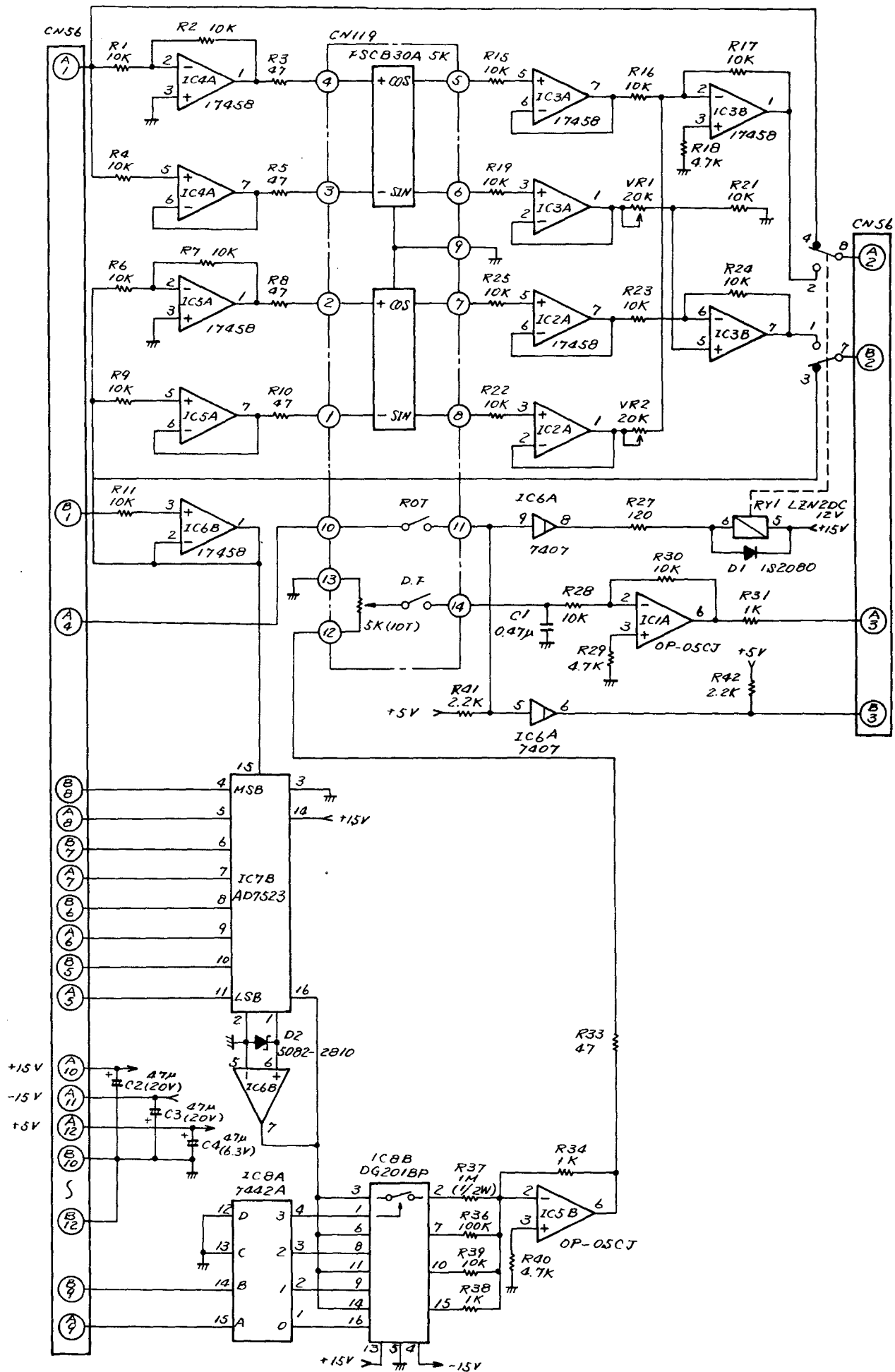
14. GROUND WIRING DIAGRAM







16. S5104 X-RAY MODE



17. S5109 RASTER ROTATION/DYNAMIC FOCUS