



H A Harman International Company

D 3700^M / 3700^{MS}

EMOTION | TriPOWER Dynamic Microphone

Description

The AKG Model D 3700^M is a rugged dynamic cardioid microphone intended for on-stage vocal pickup. Its cardioid pattern is uniform with frequency, and its response has been specially-tailored at mid and high frequencies for improved speech intelligibility. The microphone capsule is shock-mounted with an elastic dual-circuit suspension and is protected by an easily removable wire mesh grille. The smooth triangular shape of the chassis and its soft-touch paint finish makes it comfortable to hold. The lightweight body is made of die-cast zinc alloy and has a black matte finish for minimum reflection and glare.

The D 3700^M features a modular output system, which allows the microphone to be used with a standard non-switched or with a silent on-off switch with 3-pin XLR-type output or with the TM 40 module to create a wireless microphone compatible with the AKG WMS 40 series receivers.

The D 3700^M light-weight body is die cast zinc alloy and has a black matte soft-touch paint finish for minimum reflection and glare. In addition, the XLR plug-in module is easily removable and may be replaced by the optional, TM40 module for conversion to wireless use. The D 3700^{MS} provides the added feature of an on/off switch.

Specifications

Transducer type:	Dynamic pressure gradient
Frequency response:	70-20 kHz
Polar pattern:	Cardioid
Impedance:	600 ohms
Max. SPL:	147 dB SPL (156 dB SPL) for 1% (3%) THD
Recommended load impedance:	>2000 ohms
Equivalent noise level:	19 dB (A) to DIN 45412
Output connector:	XLR-M (modular)
Sensitivity:	2.2 mV/Pa; -53 dB (re 1 V/Pa)
Sound pressure level for 1% (3%) THD:	147 dB SPL (156 dB SPL)
Environmental operation:	
Temperature:	14° F to 140° F (-10°C to + 60°C)
Maximum relative humidity at +20°C:	90%
Size:	Maximum diameter: 2.0 in. (50 mm) 7.3 in. length (186 mm)
Net weight:	10.4 oz. (290 g)
Shipping weight:	2.1 lb. (970 g)
Accessories included:	SA 61 Stand adapter, hard-shell case
Optional accessories:	TM40 UHF transmitter module, AKG WMS 40 Series wireless receivers W 23 foam windscreen



Features

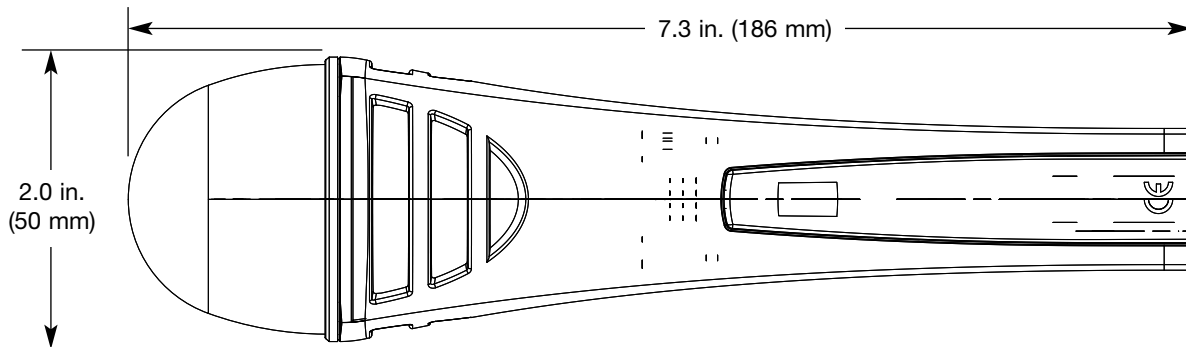
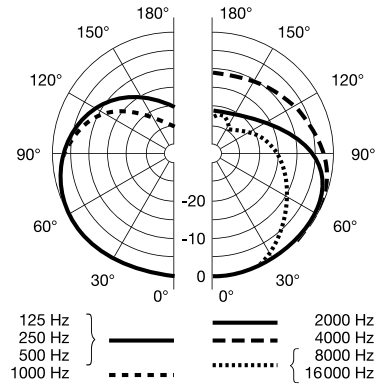
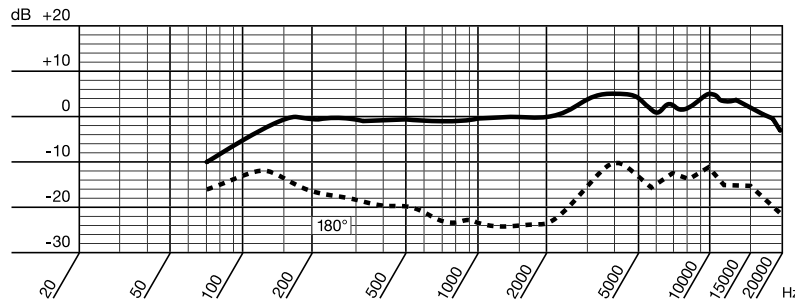
- Response tailored for instrumental and vocal on-stage performance
- Accurate cardioid pattern for added immunity to feedback
- High sensitivity (2.5 mV/Pa) resulting from use of high-energy neodymium-iron-boron magnet
- Light-weight die cast metal body with dark black matte finish
- Removable/replaceable grille assembly
- Interchangeable output module for switched or wireless operation

Architects and Engineers Specifications

The microphone shall be a dynamic type with a cardioid pickup pattern. Sensitivity shall be no less than 2.5 mV/Pa, and the maximum operating level for 3% THD shall be no less than 156 dB SPL. The maximum diameter of the microphone shall be no greater than 2.0 inches, and the microphone length shall be no greater than 7.3 inches. The microphone shall have switchable output

modules that permit the selection of a standard non-switched output, a module incorporating a silent on/off switch (D 3700MS) or a module that allows the microphone to be used as a UHF wireless system compatible with AKG WMS 40 Series receivers. Microphone net weight shall be no greater than 10.4 ounces. The microphone shall be the AKG Acoustics Model D 3700[™].

Graphical Data



Limited Warranty

AKG Acoustics warrants AKG products against defects in material or workmanship for a period of two years from the date of original purchase made on or after January 1, 2002, and agrees to repair or, at our option, replace any defective unit without charge for either parts or labor. AKG Acoustics grants a three-year warranty covering material and labor for the following condenser microphones purchased on or after July 1, 2003, including the C 12VR, C414B-ULS, C 414B-TLII, C 426B, Solidtube; C 4500B-BC; C 4000B; C 3000B; C 451B; C 2000B; C 1000S, the C 480B and the Ultra-Linear Series capsules (CK 61, CK 62, CK 63, CK 69), the SE 300B

and Blue Line capsules (CK 91, CK 92, CK 93, CK 94, CK 98). This warranty is valid for AKG products purchased within the United States for the original purchaser only. The purchaser's Bill of Sale will serve as proof of sales and warranty validity in the U.S. Shipment of defective items to AKG for repair will be at the customer's own risk and expense. AKG will assume the return shipping cost for all items repaired under warranty.

IMPORTANT: This warranty does not cover damage resulting from accident, misuse or abuse, lack of reasonable care, the affixing of any attachment not provided with the product, loss of parts, or connecting the product to any receptacle other than specified.

Microphones · Headphones · Wireless Microphones · Wireless Headphones · Headsets



H A Harman International Company

AKG Acoustics GmbH

Lemböckgasse 21-25, P.O.B. 158, A-1230
Vienna/AUSTRIA
Tel: (43 1) 86 654-0*, Fax: (43 1) 86 654-516
Internet: <http://www.ake.com>

AKG ACOUSTICS, U.S.

914 Airpark Center Drive
Nashville, TN 37217, U.S.A.
Tel: (615) 620-3800, Fax: (615) 620-3875
Internet: <http://www.akeusa.com>

Studer Japan Ltd.

2-43-7, Uehara, Shibuya-ku, Tokyo 151-0064/JAPAN
Tel: (813) 3465-2211, Fax: (813) 3465-2214

Erikson Pro Audio

620 McCaffrey, St-Laurent, Quebec, H4T 1N1, CANADA
Tel: (514) 738-3000, Fax: (514) 737-5069
Internet: www.jam-ind.com/eriksonpro

AKG is constantly improving and modifying its products, therefore, specifications are subject to change without notice.