

Dynamic Microphone  
**WM-530E**

NEW



Dynamic Microphone  
**WM-D170SW-KE**

NEW



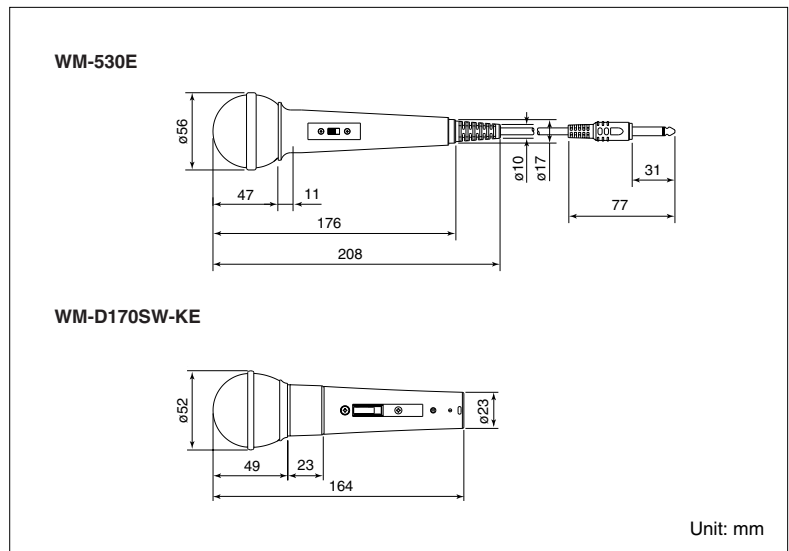
### WM-530E

- Cardioid dynamic mic
- Unique design for desk top application
- Cost effective, high performance

### WM-D170SW-KE

- Hyper cardioid dynamic mic
- For vocal application
- Heavy duty metallic body

### Dimensions



### Applications

Model No.	Purpose	Department	Shopping Center Supermarket	School	Government Office	Amusement / Theme Park	Fast Food / Restaurant
WM-530E	Paging	○	◎	○	○		◎
WM-D170SW-KE	Vocal Music			○		○	
Model No.	Purpose	Airport / Station	Banks	Conference Room	AV Presentation Room	Hotel	Banquet Room Karaoke Machine
WM-530E	Paging	○	◎			○	
WM-D170SW-KE	Vocal Music	◎		○	◎		◎

### SPECIFICATIONS

Model No.	WM-530E	WM-D170SW-KE
Type	Dynamic	Dynamic
Sensitivity	-53 dB ± 3.5 dB (0 dB = 1 V/Pa, 1 kHz)	-52 dB ± 3.5 dB (0 dB = 1 V/Pa, 1 kHz)
Frequency Response	70 ~ 12,000 Hz	70 ~ 16,000 Hz
Impedance	500 Ω ± 30 % (unbalanced), 1 kHz	300 Ω ± 30 % (balanced), 1 kHz (unbalanced connection at phone plug inside)
Output Cable	ø5 mm, single-conductor approx. 3 m, black color	ø5 mm, 2 molded conductor approx. 5 m, black color
Output Connector	TS Phone type plug	Mic side : XLR type plug Amp side : TS Phone type plug
Mic Holder / Adapter	Yes (Holder with stand)	Yes (Holder with 5/8" - 3/8" adapter)
Operating Temperature	-10 °C ~ + 50 °C	-10 °C ~ + 50 °C
Dimensions (W x H)	ø56 x 176 mm	ø52 x 164 mm
Weight (approx.)	230 g with cable (mic only)	290 g (mic only)
Finish	Black color	Black metallic color