

# VoiceLift™ Microphone

INFRARED WIRELESS MICROPHONE  
FOR USE WITH POLEVault® AND VOICELIFT SYSTEMS



- Lightweight pendant microphone can be clipped on clothing or worn around the neck
- Advanced DSP suppresses feedback while maximizing sound quality and intelligibility
- System supports up to two microphones for each classroom
- Volume/mute control on microphones for easy operation
- Instant Alert email messaging capability enables the teacher to request assistance with the push of a button
- Auxiliary input on microphones for MP3 player or other source
- Desktop charging station recharges and holds up to two microphones simultaneously
- Compact receiver can be mounted on a ceiling or wall
- Includes a single, rechargeable 2500 mAh NiMH AA battery; also supports a standard alkaline AA battery
- Designed and manufactured by Extron Electronics
- 3 year parts and labor warranty

The VoiceLift™ Microphone is an infrared wireless microphone system designed for PoleVault and VoiceLift Systems to create a classroom sound field system. The lightweight Pendant Microphone transmits over infrared frequencies to a ceiling or wall-mounted receiver. Packages include one or two pendant microphones, IR receiver plus a wall charger or charging station and feature a 3 year parts and labor warranty.



## Extron® Electronics

[www.extron.com](http://www.extron.com)

## DESCRIPTION

The Extron **VoiceLift Microphone** integrates seamlessly into new or existing PoleVault installations, as well as new VoiceLift Systems. The VoiceLift Microphone series of products includes a wireless pendant microphone, receivers, and charging station.

The lightweight pendant microphones can be worn around the neck or clipped on clothing. The teacher's voice is picked up by the microphone and transmitted wirelessly to a receiver mounted on the ceiling or wall. The signal is then passed to an Extron PoleVault Switcher or VoiceLift Amplifier where it is amplified and distributed to speakers placed throughout in the classroom, enabling teachers to be heard clearly without shouting or straining their voices.

The microphone uses infrared signals for transmitting the teacher's voice to the receiver. Infrared signals do not pass through walls and are not subject to interference, offering clear advantages over systems that use radio frequency technology. An optional secondary IR receiver is available for large rooms. Up to two microphones can be supported per classroom, promoting team teaching or student participation.

Each microphone includes a single, rechargeable 2500 mAh NiMH AA battery that provides up to 8 hours of talk time. A standard alkaline AA battery can also be used. The desktop charging station charges two microphones and protects them when not in use.

The pendant microphone features easily accessible controls for volume and power/mute. Instant Alert email notification capability enables the teacher to request assistance with the push of a button. An auxiliary input is also included for use with an MP3 player or other audio source, along with an auxiliary microphone input for use with an optional boom or lapel mic.

The VoiceLift Microphone is designed and manufactured by Extron Electronics and includes a 3 year parts and labor warranty.

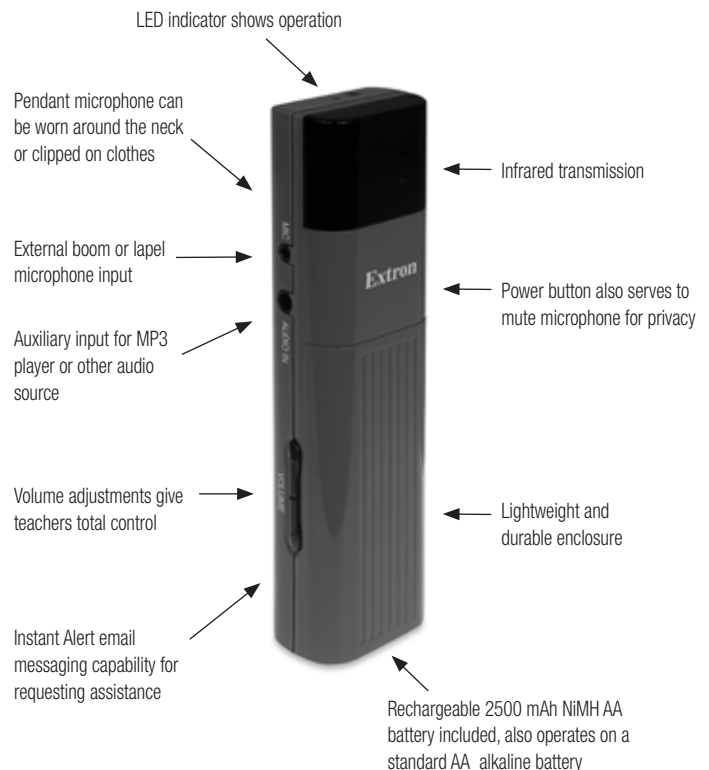
### What is a Sound Field?

A sound field is the area within a classroom where the teacher's voice and program material are distributed at a consistent level to each student. A sound field is created by a classroom sound system specifically designed to slightly amplify the teacher's voice using speakers strategically placed throughout the room. The key to success is not simply amplification, but increased intelligibility. To achieve this goal, effective sound field systems must accomplish the following:

- **Amplify the teacher's voice slightly above classroom background noise**
- **Distribute sound evenly throughout the entire classroom by using multiple speakers**
- **Provide superior audio performance in frequencies associated with the human voice**
- **Maximize speech intelligibility**

## FEATURES

- **Lightweight pendant microphone can be clipped on clothing or worn around the neck**
- **Advanced DSP suppresses feedback while maximizing sound quality and intelligibility**
- **System supports up to two microphones for each classroom**
- **Volume/mute control on microphones for easy operation**
- **Instant Alert email messaging capability enables the teacher to request assistance with the push of a button**
- **Auxiliary input on microphones for MP3 player or other source**
- **Desktop charging station recharges and holds up to two microphones simultaneously**
- **Compact receiver can be mounted on a ceiling or wall**
- **Includes a single, rechargeable 2500 mAh NiMH AA battery; also supports a standard alkaline AA battery**
- **Designed and manufactured by Extron Electronics**
- **3 year parts and labor warranty**



**VLP 102 Pendant Microphone**

<b>MICROPHONE ELEMENT</b>	
Type.....	Omnidirectional electret condenser
Gain.....	-12 dB to +12 dB, adjustable in 2 dB steps
<b>AUDIO INPUT</b>	
Number/signal type .....	1 mono, via integrated electret condenser microphone or mic input jack 1 stereo, unbalanced
Connectors .....	(1) 3.5 mm mini audio jack for auxiliary line input (1) 2.5 mm mini audio jack for auxiliary mic input
<b>IR TRANSMITTER (MICROPHONE TRANSMISSION)</b>	
Signal type.....	Infrared output
Carrier frequencies .....	2.3 MHz and 2.8 MHz, selectable
<b>GENERAL</b>	
Power .....	Supplied by internal batteries or an external power supply
Charging jack.....	(1) 3.8 mm o.d. DC power jack, center pin positive
<b>Batteries</b>	
Number/type.....	1 AA size NiMH, NiCd, or alkaline battery
Operating time (h:mm).....	Rechargeable 2500 mAh NiMH batteries: 8 hours
Recharging time.....	5.5 hours for a 2500 mAh NiMH battery
<b>Regulatory compliance</b>	
Environmental.....	RoHS, WEEE
Accessibility.....	Section 508 of the Rehabilitation Act (29 U.S.C. 794d)
Warranty.....	3 years parts and labor

**VLR 102, VLR 102SR Receivers**

<b>AUDIO INPUT</b>	
Number/signal type	
VLR 102 .....	1 infrared from VLP 102 microphones 1 stereo, unbalanced 1 mono, balanced
VLR 102SR .....	1 infrared from VLP 102 microphones
<b>Connectors</b>	
VLR 102 .....	(1) 3.5 mm captive screw connector, 3 pole, for aux/mix input (1) RJ-45 female
VLR 102SR .....	(1) RJ-45 female for input from a VLR 102SR
<b>AUDIO OUTPUT</b>	
Number/signal type .....	1 mono, balanced, line level, (1) RJ-45 female
<b>IR SENSOR</b>	
Signal type.....	Infrared input
Reception area .....	1600 square feet (148.6 square meters)
Reception angles.....	360° horizontal, 60° vertical Control/remote Receiver, (VLR 102 only)
Serial control port .....	1 RS-232, 3.5 mm captive screw connector, 3 pole
Contact closure.....	(1) 3.5 mm captive screw connector, 3 pole
<b>GENERAL</b>	
Power input requirements.....	+12 VDC, 0.25 A
Cooling.....	Convection, no vents
Mounting.....	Ceiling or wall with included hardware
<b>Regulatory compliance</b>	
Safety.....	CE, C-tick, CUL, UL,
EMI/EMC .....	CE, C-tick, FCC Class B, ICES, VCCI
Environmental.....	RoHS, WEEE
Warranty .....	3 years parts and labor

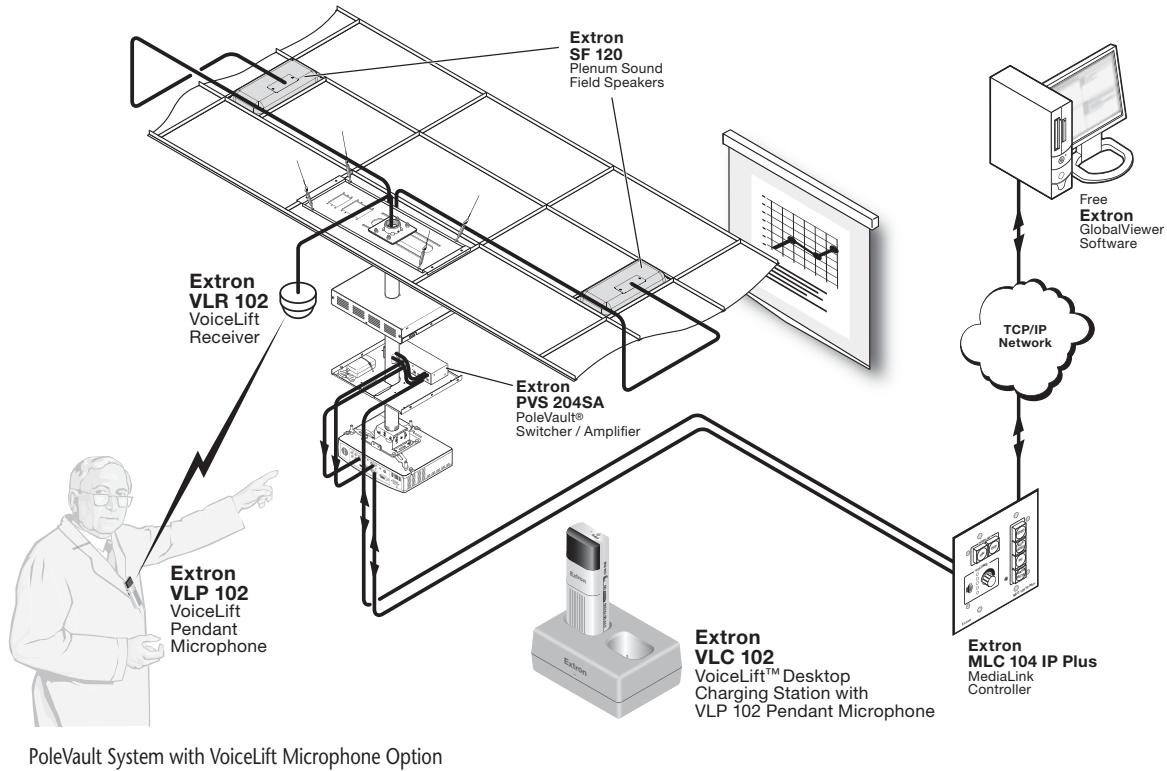
**VLC 102 CHARGING STATION**

<b>GENERAL</b>	
External power supply.....	100 VAC to 130 VAC, 50/60 Hz, external; 2 prong; to 5 VDC, 1 A, regulated 3.5 mm o.d. jack
Power input requirements.....	5 VDC, 0.5 A
<b>Regulatory compliance</b>	
Safety.....	CE, CUL, C-tick, UL
EMI/EMC .....	CE, C-tick, FCC Class A, ICES, VCCI
Environmental.....	Complies with the appropriate requirements of Energy Star® (Energy Star qualified power supply, efficiency level IV), RoHS, WEEE.
Warranty .....	3 years parts and labor

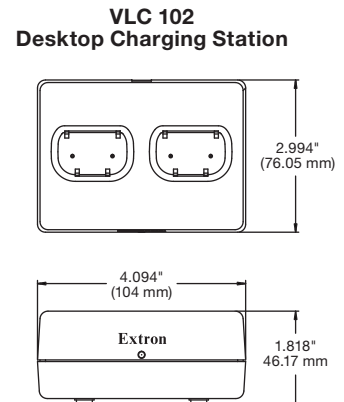
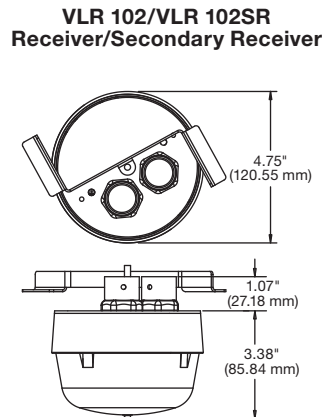
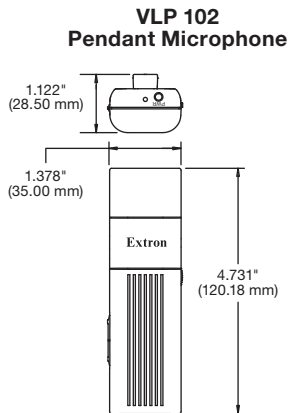
Specifications are subject to change without notice.

Model	Version Description	Part Number
VLM 1000	Single Pendant with Wall Charger .....	42-139-01
VLM 2000	Two Pendants with Charging Station.....	42-139-02

# APPLICATION DIAGRAM



# PANEL DRAWINGS



**Extron USA - West**  
Headquarters  
+800.633.9876  
Inside USA / Canada Only  
+1.714.491.1500  
+1.714.491.1517 FAX

**Extron USA - East**  
+800.633.9876  
Inside USA / Canada Only  
+1.919.863.1794  
+1.919.863.1797 FAX

**Extron Europe**  
+800.3987.6673  
Inside Europe Only  
+31.33.453.4040  
+31.33.453.4050 FAX

**Extron Asia**  
+800.7339.8766  
Inside Asia Only  
+65.6383.4400  
+65.6383.4664 FAX

**Extron Japan**  
+81.3.3511.7655  
+81.3.3511.7656 FAX

**Extron China**  
+400.883.1568  
Inside China Only  
+86.21.3760.1568  
+86.21.3760.1566 FAX

**Extron Dubai**  
+971.4.2991800  
+971.4.2991880 FAX