

**Electro-Voice®**  
a gulton company

## Model 607 Differential Dynamic Microphone

### SPECIFICATIONS

- Element:**  
Dynamic
- Frequency Response:**  
300 to 3800 Hz
- Impedance:**  
150 ohms, balanced to ground
- Output Level:**  
-57 dB  
(0 dB = 1 mW/10 dynes/cm<sup>2</sup>)  
(measured at 1/4")
- EIA Sensitivity Rating:**  
-148 dB
- Case:**  
A.B.S. Cyclocac
- Finish:**  
Painted
- Net Weight:**  
340 g (12 oz), less cable
- Dimensions:**  
44.5 mm (1.75") wide x  
82.6 mm (3.25") dia. x  
104.8 mm (4.12"), including stud
- Cable:**  
4.6 m (15'), two-conductor shielded
- Cable Connector:**  
Amphenol MC-2, or equivalent
- Stand Coupler:**  
5/8" -27 thread

### DESCRIPTION AND APPLICATIONS

The Electro-Voice Model 607 is a pressure-gradient microphone providing excellent noise-cancelling characteristics. This close talking, compact, sturdy microphone has a frequency response designed to insure excellent intelligibility while providing high level. The case form factor offers a pleasing appearance while maintaining simplicity and minimum weight. It is especially designed for use where background noise is at a high level or for elimination of feedback under difficult acoustical conditions.

Providing considerably more noise cancellation than its predecessor (Model 606), the 607 allows the user to speak closely into the microphone in a normal voice, while effectively cancelling distant noise. This is ideal for public address work, all types of dispatching and call systems, and paging systems. Rugged construction permits indoor and outdoor use without damage due to hard usage, temperature, or humidity.

The diaphragm in the Model 607 is constructed of nonmetallic Acoustalloy®. It is practically indestructible, withstands high humidity, extreme temperatures, corrosive effects of salt air and severe mechanical shock.

### ARCHITECTS' AND ENGINEERS' SPECIFICATIONS

The microphone shall be an Electro-Voice Model 607 or equivalent. The microphone shall be a noise-cancelling, dynamic type with rising frequency response from 300 to 3,800 Hz. The diaphragm shall be of nonmetallic Acoustalloy®. The microphone shall have an impedance of 150 ohms balanced to ground.

The case shall be of Cyclocac with painted finish. The microphone shall have a maximum net weight of not more than 340 g (12 ounces) less cable. A 4.6 m (15-foot), two-conductor, shielded synthetic-jacketed cable shall be provided. The microphone shall have an Amphenol MC-2 connector or equivalent. The microphone shall include a stand coupler with a 5/8-inch -27 thread on the stud and the head shall be tilted at a fixed angle of 30°.

The output level shall be -57 dB with 0 dB equalling 1 mW/10 dynes/cm<sup>2</sup>. EIA sensitivity rating shall be -148 dB. The magnetic circuit shall be nonwelded and shall employ Alnico V and Armco magnetic iron.

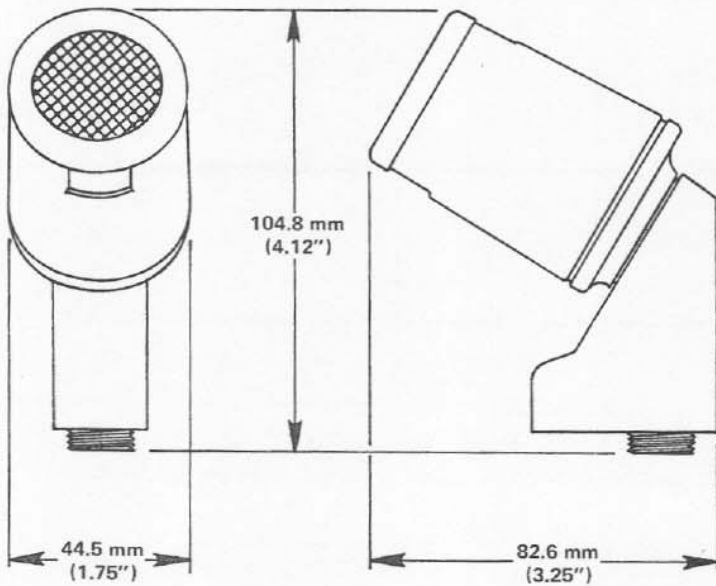


FIGURE 1 - Dimensions

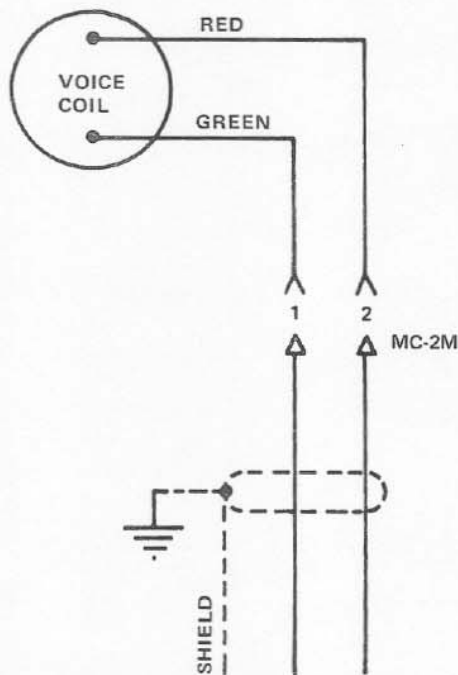


FIGURE 2 - Wiring diagram

**WARRANTY (Limited)**

Electro-Voice General Purpose Microphones are guaranteed without time limit against malfunction in the acoustic system due to defects in workmanship and materials. (Any active electronics incorporated in a microphone is guaranteed for three years from date of original purchase against such malfunction.) If such malfunction occurs, microphone will be repaired or replaced (at our option) without charge for materials or labor if delivered prepaid to the proper Electro-Voice service facility. Unit will be returned prepaid. Warranty does not cover finish, appearance items, cables, cable connectors, or switches and does not cover malfunction due to abuse or operation at other than specified conditions. Repair by other than Electro-Voice or its authorized service agencies will void this guarantee.

For correct shipping address and instructions on return of Electro-Voice products for repair and locations of authorized service agencies, please write: Service Department, Electro-Voice, Inc., 600 Cecil Street, Buchanan, Mich. 49107 (Phone: 616/695-6831) or 7473 Avenue 304, Visalia, CA 93277 (209/625-1330, -1).

Electro-Voice also maintains complete facilities for non-warranty service of E-V products.

Specifications subject to change without notice.