



H A Harman International Company

C 747

Condenser Microphone

Description

The AKG Model C 747 gradient condenser microphone uses a short section interference tube to enhance its directional characteristics, making it an excellent choice for unobtrusive speech applications when mounted on a podium or lectern, or for teleconferencing activities. The microphone is about the size of a ballpoint pen and the mini-gooseneck extension facilitates adjustment and height. The finish is dark gray matte. Frequency response extends from 30 Hz to 18 kHz, and polar response is very uniform. The microphone can handle sound pressure levels of 133 dB with only 1% THD and operates with phantom powering over the standard ranges from 12 to 48 volts.

Specifications

Transducer Principle:	Pre-polarized condenser
Frequency Range:	30–18,000 Hz
Polar Pattern:	Hypercardioid
Sensitivity at 1,000 Hz:	8.5 mV/ Pa $\hat{=}$ -42 dBV
Equivalent Noise Level:	21 dB-A
Sound Pressure Level for 1% THD:	133 dB
S/N Ratio (A-weighted):	73 dB
Electr. Impedance:	\leq 400 ohms
Load Impedance:	$>$ 1,500 ohms
Power Requirement:	9-52 volts phantom powering
Connector:	3-pin XLR type
Cable Length:	10 ft. (3 m)
Finish:	Dark gray matte
Size:	Dia 0.35 in. (9 mm), Length 5.4 in. (137 mm)
Net/Shipping Weight:	.9 oz. (25 g)/26.5 oz. (750 g)
Included Accessories:	H 47 Shock mount/adaptor W 70 Windscreen, MSH 70 Short gooseneck, SA 47 Swivel stand adaptor, SA 80 Clamp, SHZ 80 screw link
Optional Accessories:	ST 45, ST 46 Table stands MSH 80 Long gooseneck; B 18 E Battery supply MF-DA Mounting flange



Features

- Slim profile for unobtrusive podium mounting
- Extended low and high frequency response
- Hypercardioid pattern for excellent off-axis rejection
- High sensitivity (8.5 mV/Pa)
- High acoustic level capability (133 dB-SPL for 1.0% THD)

Architects and Engineers Specifications

The microphone shall be a directional condenser type utilizing a combination of gradient and interference actions to produce a well defined hypercardioid polar pattern.

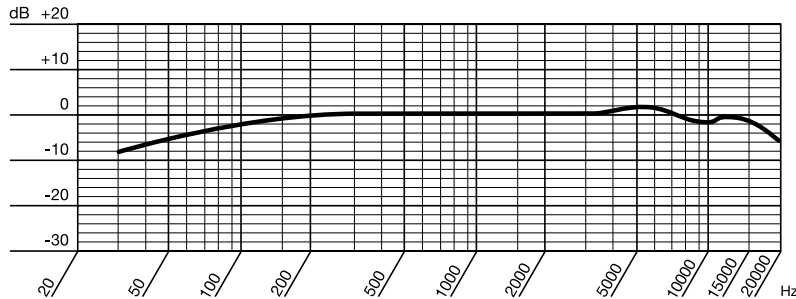
The microphone shall be no larger in diameter than 0.35 in. (9 mm), and the finish shall be matte black. On-axis frequency response shall be maintained within the range of 30 Hz to 18 kHz, as measured at 1 meter. Microphone sensitivity shall be at least

8.5 mV/Pa, and the self A-weighted noise level of the microphone shall be no higher than 21 dB. The microphone shall operate in a sound field of 133 dB-SPL with no greater than 1% THD.

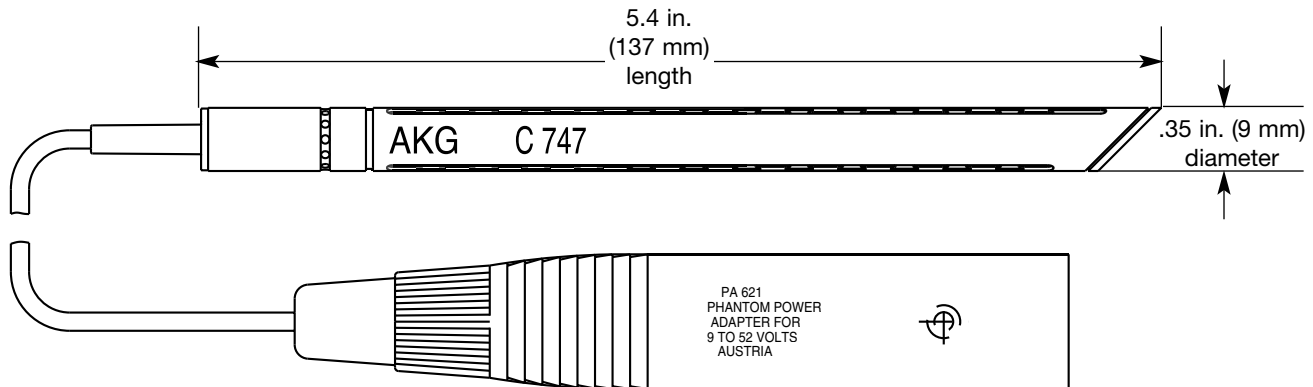
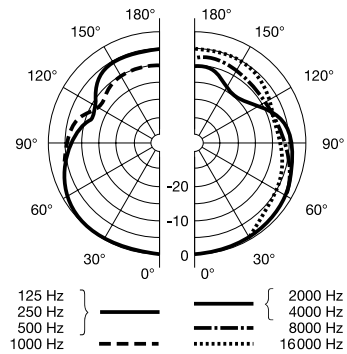
The microphone shall operate on phantom powering, covering the range from 9Vdc to 52Vdc. The microphone shall be the AKG Acoustics Model C 747.

Graphical Data

On-axis Frequency Response
(measured at 1 meter)



Polar Response



AKG is constantly improving and modifying its products, therefore, specifications are subject to change without notice.

Limited Warranty

Valid only in the United States. AKG Acoustics warrants AKG products against defects in material or workmanship for a period of two years from the date of original purchase for use, and agrees to repair or, at our option, replace any defective unit without charge for either parts or labor. Important: This warranty does not cover damage resulting from accident, misuse or abuse, lack of reasonable care, the affixing of any attachment not provided with the product, loss of parts or connecting the product to any but the specified receptacles. This warranty is void unless service or repairs are performed by an authorized service center. No responsibility is assumed for any special, incidental

or consequential damages. However, the limitation of any right or remedy shall not be effective where such is prohibited or restricted by law. Simply take or ship your AKG product prepaid to our service department. Be sure to include your sales slip as proof of purchase date. (We will not repair transit damage under the no-charge terms of this warranty.) Note: No other warranty, written or oral is authorized by AKG Acoustics, Inc. This warranty gives you specific legal rights, and you may also have other rights which vary from state to state. Some states do not allow the exclusion or limitation of incidental or consequential damages or limitation on how long an implied warranty lasts, so the above exclusions and limitation may not apply to you.

Microphones · Headphones · Wireless Microphones · Wireless Headphones · Headsets · Electroacoustical Components



H A Harman International Company

AKG Acoustics GmbH
Lemböckgasse 21-25, P.O.B. 158, A-1230
Vienna/AUSTRIA
Tel: (43 1) 86 654-0*, Fax: (43 1) 86 654-516
Internet: <http://www.ake.com>

AKG Acoustics; A Division of Harman Pro Germany
Bodenseestraße 228, D-81243 München/GERMANY
Tel: (089) 87 16-0, Fax: (089) 87 16-200

Arbiter Pro Audio
Wilberforce Road, London NW9 6AX/ENGLAND
Tel: (0181) 202 1199, Fax: (0181) 202 7076

AKG ACOUSTICS, U.S.
914 Airpark Center Drive
Nashville, TN 37217, U.S.A.
Tel: (615) 620-3800, Fax: (615) 620-3875

Studer Japan Ltd.
2-43-7, Uehara, Shibuya-ku, Tokyo 151-0064/JAPAN
Tel: (813) 3465-2211, Fax: (813) 3465-2214

Erikson Pro Audio
620 McCaffrey, St-Laurent, Quebec, H4T 1N1, CANADA
Tel: (514) 738-3000, Fax: (514) 737-5069
Internet: www.jam-ind.com/eriksonpro