



H A Harman International Company

C 4500 B-BC

Condenser Broadcast/Voice-Over Microphone

Description

AKG's new C 4500 B-BC is designed for all broadcast and voice-over applications and is ideal for the new age of digital broadcasting. It has a 1-in. (25-mm) diaphragm mounted internally so that the axis of maximum sensitivity is along the microphone's physical axis, ensuring that the microphone does not impede the viewing range of the announcer. The response of the C 4500 B-BC has been tailored so that at normal operating distances the microphone will have absolutely neutral low frequency response, and at high frequencies the response is smooth and extended. An exemplary dynamic range of 137 dB will allow it to cope with virtually all announcing and postproduction speech activities.

The C 4500 B-BC is complete with its own suspended shock mount and pop/wind windscreen for further isolation from the environment. Extremely high internal electrostatic and magnetic field isolation ensures that the microphone can be operated in proximity to virtually any kind of electronic equipment, new or old.

Specifications

Polar pattern:	cardioid
Frequency range:	20 to 20,000 Hz
Sensitivity at 1000 Hz:	25 mV/Pa (-34 dBV)
Maximum SPL for 0.5% THD:	145/165 dB SPL*
Equivalent noise level:	8 dB-A
Pre-attenuation pad:	-20 dB, switchable
Bass-cut filter:	6 dB/octave below 120 Hz
Output impedance:	<200 ohms
Recommended load impedance:	>1000 ohms
Power requirement:	9 to 52 volts phantom power (DIN 45 596/IEC 268-15)
Current consumption:	<2 mA
Size:	2.2 in. diameter x 7.2 in. length (58 mm x 183 mm)
Net weight:	16 oz. (450 g)

*Values for 48 V phantom power; reduce by 6 dB for 24 V or 18 dB for 12 V phantom power

Standard set includes:

C 4500 B-BC microphone, H100 spider-type shock mount
W 4000 foam windscreen

Optional accessories: B 18 E battery power supply



Features

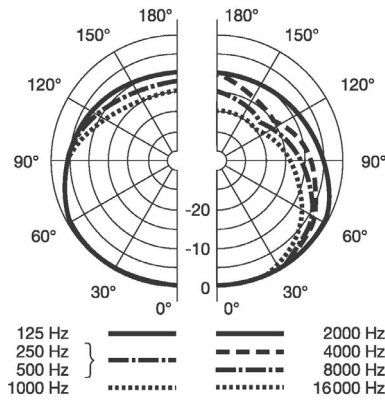
- Frequency response, tailored for reduced proximity effect for close speaking voice
- Operates on phantom power (9 to 52 volts)
- Large diaphragm with speech entry along the microphone's physical axis
- Extremely low self-noise floor of 8 dB-A
- High immunity to overload (145 dB unpadded)
- High immunity to electrostatic and magnetic field interference

Architects and Engineers Specifications

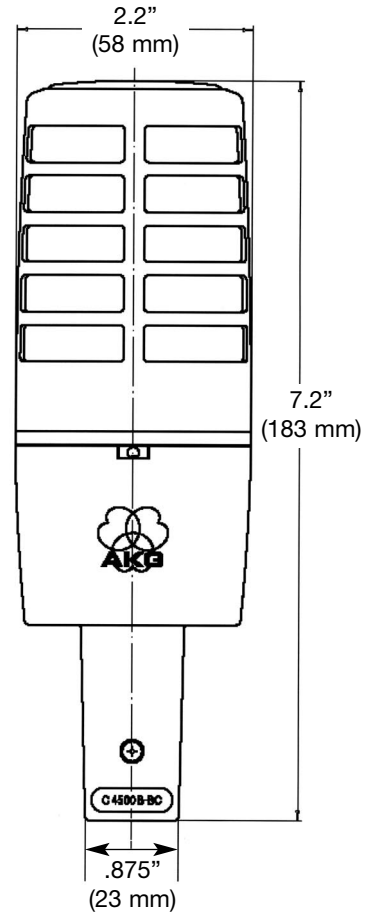
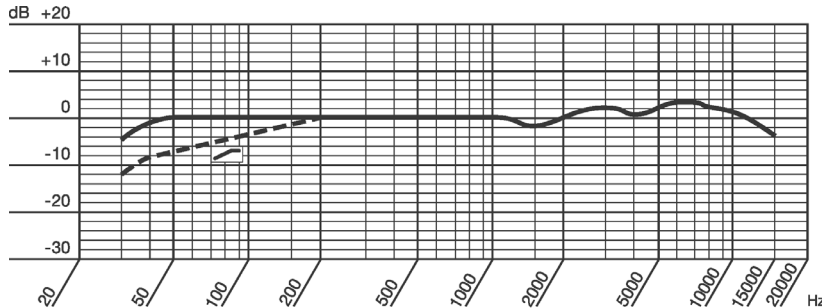
The microphone shall be a gradient condenser model with a cardioid polar pattern along its cylindrical axis. The microphone shall be no larger in diameter than 2.2 in. (58 mm) and the microphone's length shall be no greater than 7.2 in. (183 mm). The microphone's unpaddded sensitivity at 1000 Hz shall be no less than 25 mV/Pa (-32 dBV), and the 0.5% THD point shall be no

lower than 145 dB SPL under any recommended condition of powering. The self-noise floor of the microphone shall be no greater than 8 dB-A. The microphone shall include an integral pre-attenuation pad of 20 dB and a switchable bass roll-off of 6 dB/octave commencing below 120 Hz. The microphone shall be the AKG Acoustics Model C 4500 B-BC.

Graphical Data



cardioid



AKG is constantly improving and modifying its products, therefore, specifications are subject to change without notice.

Limited Warranty

Valid only in the United States. AKG Acoustics warrants AKG products against defects in material or workmanship for a period of three years from the date of original purchase for use, and agrees to repair or, at our option, replace any defective unit without charge for either parts or labor. Important: This warranty does not cover damage resulting from accident, misuse or abuse, lack of reasonable care, the affixing of any attachment not provided with the product, loss of parts or connecting the product to any but the specified receptacles. This warranty is void unless service or repairs are performed by an authorized service center. No responsibility is assumed for any

special, incidental or consequential damages. However, the limitation of any right or remedy shall not be effective where such is prohibited or restricted by law. Simply take or ship your AKG product prepaid to our service department. Be sure to include your sales slip as proof of purchase date. (We will not repair transit damage under the no-charge terms of this warranty.) Note: No other warranty, written or oral is authorized by AKG Acoustics, Inc. This warranty gives you specific legal rights, and you may also have other rights which vary from state to state. Some states do not allow the exclusion or limitation of incidental or consequential damages or limitation on how long an implied warranty lasts, so the above exclusions and limitation may not apply to you.

Microphones · Headphones · Wireless Microphones · Wireless Headphones · Headsets · Electroacoustical Components



H A Harman International Company

AKG Acoustics GmbH
Lemböckgasse 21-25, P.O.B. 158, A-1230
Vienna/AUSTRIA
Tel: (43 1) 86 654-0*, Fax: (43 1) 86 654-516
Internet: <http://www.akg.com>

AKG Acoustics; A Division of Harman Pro Germany
Bodenseestraße 228, D-81243 München/GERMANY
Tel: (089) 87 16-0, Fax: (089) 87 16-200

Arbiter Pro Audio
Wilberforce Road, London NW9 6AX/ENGLAND
Tel: (0181) 202 1199, Fax: (0181) 202 7076

AKG ACOUSTICS, U.S.
914 Airpark Center Drive
Nashville, TN 37217, U.S.A.
Tel: (615) 620-3800, Fax: (615) 620-3875

Studer Japan Ltd.
2-43-7, Uehara, Shibuya-ku, Tokyo 151-0064/JAPAN
Tel: (813) 3465-2211, Fax: (813) 3465-2214

Erikson Pro Audio
620 McCaffrey, St-Laurent, Quebec, H4T 1N1, CANADA
Tel: (514) 738-3000, Fax: (514) 737-5069
Internet: www.jam-ind.com/eriksonpro