

The **LOCATOR** is a self-contained engineer's pocket compass capable of providing precise handheld bearings to selected objects. It utilizes a lensatic magnifier and sighting hairline to ensure bearing accuracy. In addition, an adjustable marching line is provided as an aid to maintaining direction in darkness, fog or through rough terrain. The information that follows describes the parts of your **LOCATOR** compass and tells you how to use and care for it.

## Position Finding

**LOCATOR** can be used for general direction finding, even without a map or chart. Using a regional topographical map or marine chart, **LOCATOR** will allow you to find your position on land or at sea in coastal waters within sight of charted landmarks and designated aids to navigation.

A parallel rule, protractor or straight edge will also facilitate the process.

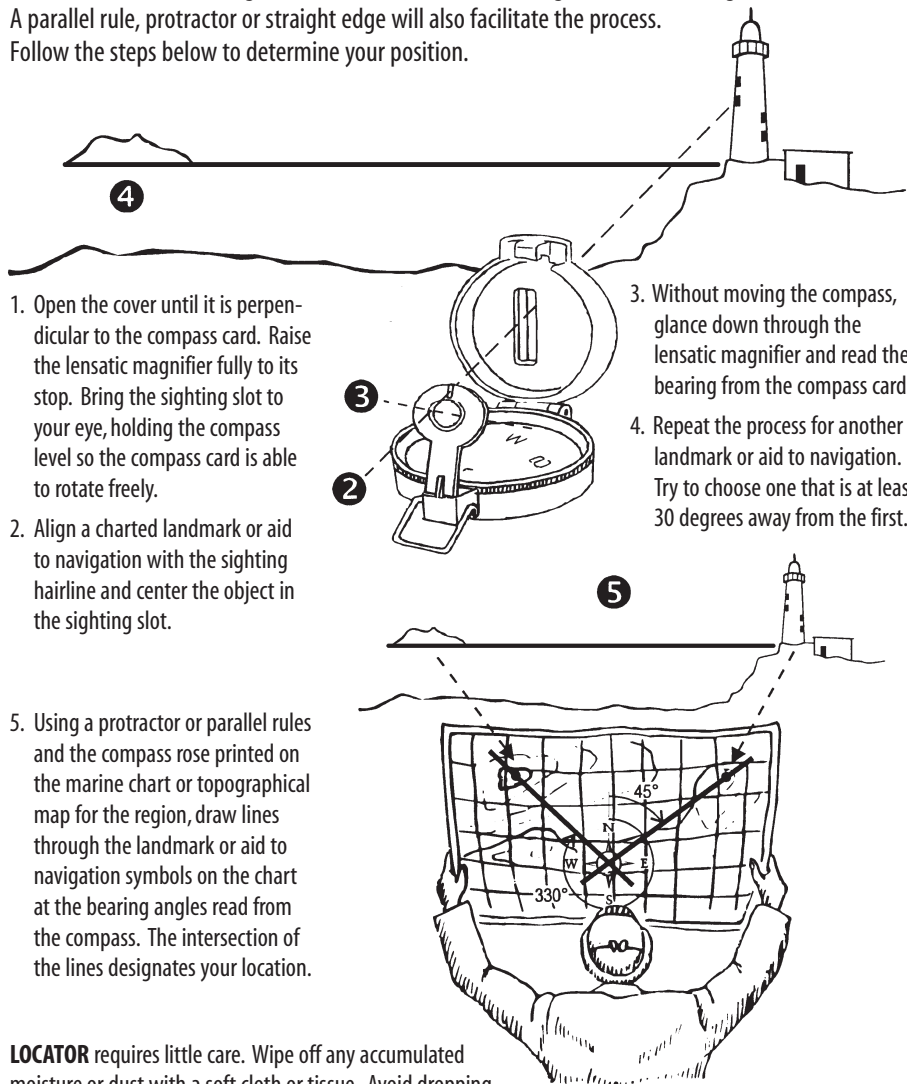
Follow the steps below to determine your position.

1. Open the cover until it is perpendicular to the compass card. Raise the lensatic magnifier fully to its stop. Bring the sighting slot to your eye, holding the compass level so the compass card is able to rotate freely.

2. Align a charted landmark or aid to navigation with the sighting hairline and center the object in the sighting slot.

5. Using a protractor or parallel rules and the compass rose printed on the marine chart or topographical map for the region, draw lines through the landmark or aid to navigation symbols on the chart at the bearing angles read from the compass. The intersection of the lines designates your location.

**LOCATOR** requires little care. Wipe off any accumulated moisture or dust with a soft cloth or tissue. Avoid dropping your **LOCATOR** or subjecting it to shock, which could dislodge the compass card from its pivot. Do not immerse in any liquid, or subject it to heavy spray or prolonged dampness.



# TZ-401 Instructions

# OutDoorPak

Carson Optical  
175A East 2nd Street, Huntington Station, NY 11746  
TEL: 631-547-5000 FAX: 631-427-6749 EMAIL: info@carson-optical.com

TRACKER Binocular  
9-TOOL Pocket Workshop  
LOCATOR Compass  
Pocket Flashlight

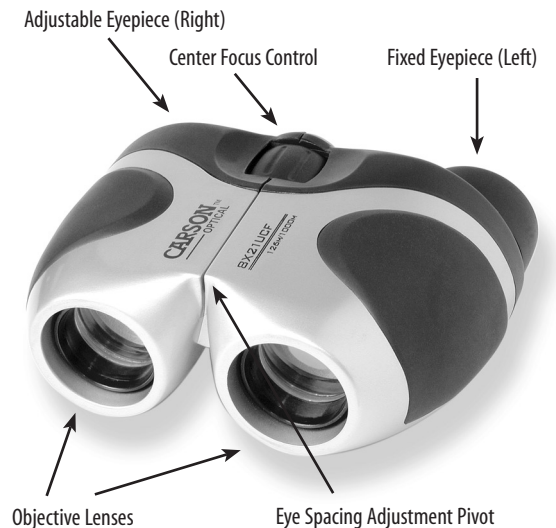
## Welcome

Your new **OUTDOORPAK** is ideal for backpacking, hiking, canoeing and all forms of nature exploration. It includes a compact, lightweight and easy-to-carry **TRACKER 8x21mm** binocular, which is particularly well suited for birding and other forms of nature watching; a **9-TOOL** pocket tool kit, with more than a dozen functions; a **LOCATOR** lensatic ranging compass having true hand-bearing triangulation capabilities; and a two-cell pocket flashlight. If you're interested in the outdoors, **OutDoorPak** is sure to increase your enjoyment and add to your safety at the same time.

## Tracker Binocular

The **8x21mm TRACKER** is a mini-compact binocular with fully coated optics and ruby tinted lenses for crisp, bright images and superior infra-red and ultra-violet filtration. Maximum focusing flexibility is provided by means of a common center focus knob and independent right diopter adjustment. Generous eye relief and roll-down eye cups make viewing easier for those who wear corrective lenses.

The **TRACKER's** precision construction ensures performance under the most demanding conditions. With reasonable care, it will give you years of pleasure. This information will help you achieve the most from your **TZ-821 TRACKER** by explaining how to use and maintain it.



**EYE SPACING:** The distance between eyes varies from person to person. The **TRACKER** can be adjusted to a variety of eye spacings. To set the eye spacing:

1. Hold the **TRACKER** in the normal viewing position with the rubber eye cups nearest your eyes.
2. Grasp each barrel firmly and rotate them closer together or further apart until you see a single ocular field. Always reset your binoculars to this position before using.

**FOCUS:** Strength of vision of one eye is often different from that of the other. The **TRACKER** can be focused to accommodate for such differences in vision. To focus:

1. Sight on a distant object.
2. Cover the right objective (front) lens with your hand and rotate the center focus control until the left image is sharp. Keep both eyes open while making this adjustment.
3. Cover the left objective (front) lens with your hand and rotate the right eyepiece until the right image is sharp. Again, keep both eyes open while making this adjustment.

The image should now be sharp and the focus adjusted to suit your vision. The center focus control alone can be used for all subsequent adjustments.

**EYECUPS:** The **TRACKER** is fitted with rubber eyecups designed to minimize extraneous external light. If you wear glasses, roll down the eyecups. This will bring your eyes closer to the binocular lenses, improving the field of view.

## Care

If handled properly, your **TRACKER** binoculars will provide years of trouble-free service. Like any fine optical instrument, the **TRACKER** should be given sensible care.

**LENSES:** Blow briskly on the lenses to remove any dust or debris, or use a soft brush. To remove dirt or fingerprints, breathe on the lenses to form a light mist and rub lightly in a circular motion with photographic lens cleaning tissue. For a more thorough cleaning, dampen a lens cleaning tissue or clean, soft cloth with photographic lens cleaning fluid and rub gently in a circular motion. Never apply the fluid directly to the lens. Avoid excessive rubbing or cleaning with a coarse or dirty cloth as it may scratch the lens and permanently deteriorate optical quality.

**THINGS TO AVOID:** Never attempt to clean the **TRACKER** internally or try to take it apart. To do so will disturb its optical alignment and void your warranty. Do not immerse the **TRACKER** in any liquid. Avoid exposure to heavy spray or prolonged dampness. Wipe off any accumulated moisture with a soft cloth or tissue. Avoid dropping your **TRACKER** or subjecting it to shock or violent impact, which could jar the optical system into misalignment. Never use the **TRACKER** to look at the sun or any bright or concentrated source of light.

### Specifications:

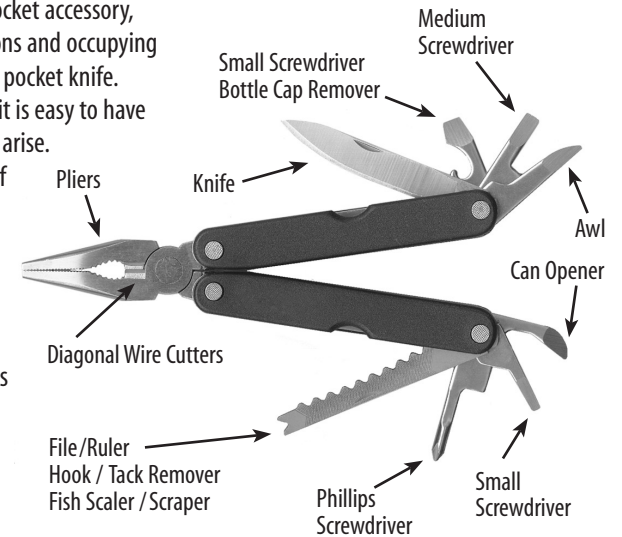
Magnification:.....	8x
Objective lenses:.....	21 mm
Field of View:.....	379 ft.
Min. Focusing Distance:.....	9.0 ft.
Prism: .....	BK-7
Eye Relief:.....	10.5 mm
Weight:.....	6.8 oz.
Dimensions:.....	4.0 x 3.25 x 2.0"



## 9-TOOL Pocket Workshop

The **9-TOOL** is a multi-purpose pocket accessory, having more than a dozen functions and occupying slightly more space than a typical pocket knife. Its compact configuration means it is easy to have available for any need that might arise.

**9-TOOL** is ruggedly constructed of stainless steel and if not misused, will provide years of service. The information that follows describes the functions, care and maintenance of the **9-TOOL**, as well as precautions for its use.



## General

When utilizing any **9-TOOL** function, other than the pliers or diagonal wire cutters:

1. Fully extend only the tool to be used.
2. Completely rotate all other tools back to their stowed positions in the handles.
3. Fold the handles together to make a working grip for the tool.

When using the pliers or wire cutters:

1. Completely rotate all other tools back to their stowed positions in the handles.
2. Rotate the handles back upon themselves, extending the pliers in the process, until the handles are locked in place by the detent and cannot open further.

When no tool is being used:

1. Completely rotate all tools into their stowed positions in the handles.
2. Rotate all the handles together to the closed position.

## LOCATOR Engineer's Compass

