

Power Supply, and Enclosure for Cellular Alarm Transceiver

APPLICATION

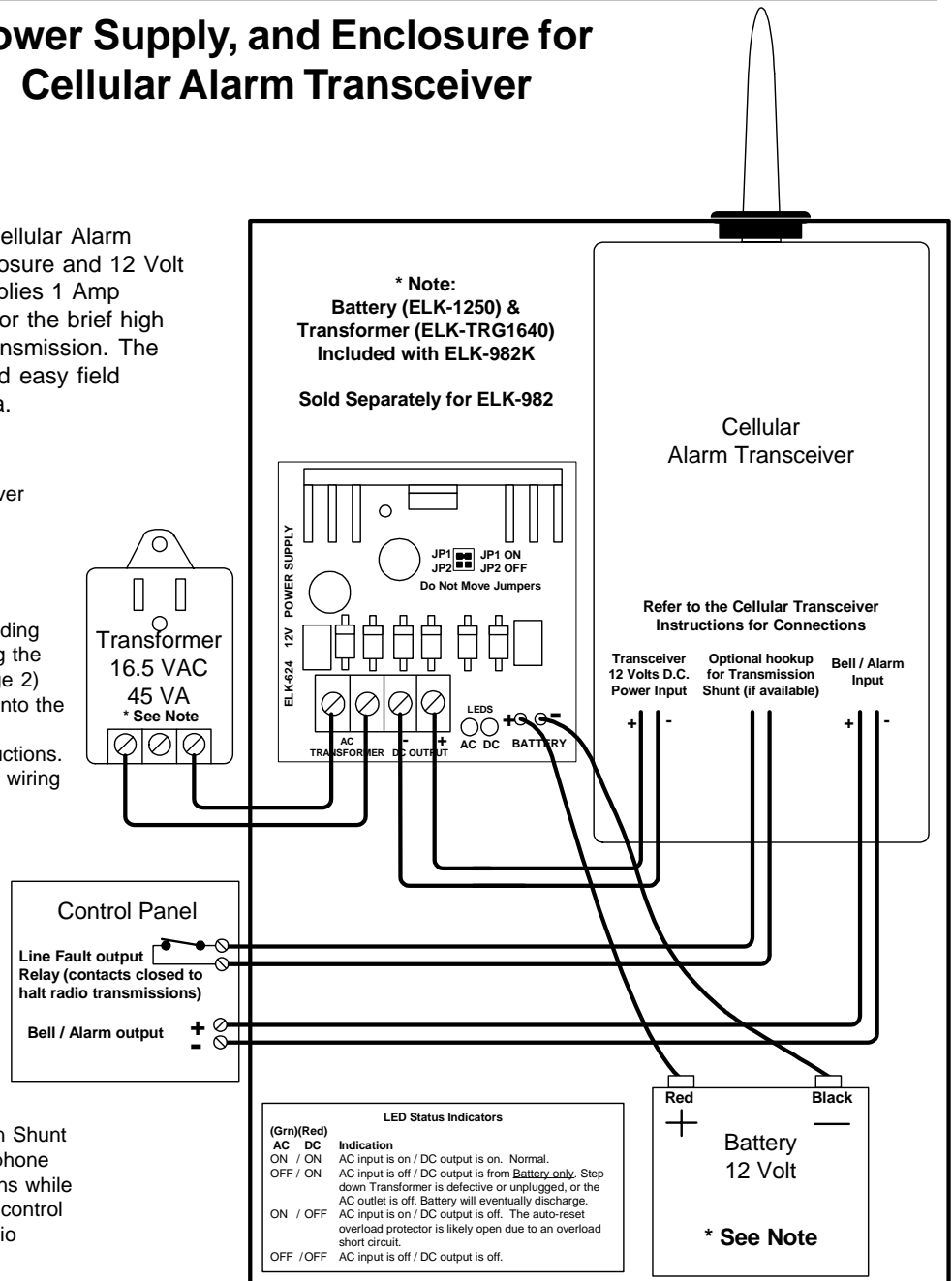
The ELK-982(K) Cell-Pack is ideal for Cellular Alarm Transceivers. It consists of a metal enclosure and 12 Volt DC power supply/battery charger. It supplies 1 Amp continuous current and 2.5 Amps peak for the brief high current demands of the radio during transmission. The design of the enclosure allows quick and easy field mounting of the transceiver and antenna.

FEATURES

- Supplies 12 Volts D.C. Power for Transceiver
- Current: 2.5A Peak, 1A Continuous
- Heavy Duty Metal Enclosure

INSTALLATION

1. Mount transceiver in top right corner by sliding antenna thru rubber grommet and securing the bottom using hardware supplied. (see page 2)
2. Mount the ELK-P624 power supply board into the enclosure as shown.
3. Wire as per the Cellular Transceiver instructions.
4. Connect Transformer and Battery after all wiring is complete.



OPERATION

This hookup example shows the Transmission Shunt Mode of operation. Control panel's that have phone line fault monitoring will halt radio transmissions while the phone line is good. Relay contacts on the control panel will be closed to shunt any possible radio transmissions.

If your control does not have line fault monitoring, see ELK-981 which provides line fault monitoring with power supply.

Features and Specifications subject to change without notice.

For Technical Support on the Numerex Technologies Digicell Transceiver, call 888-987-5465.

P.O. Box 100 • Hildebran, NC 28637 USA • 828-397-4200 • 828-397-4415 FAX
http://www.elkproducts.com • email: info@elkproducts.com

ELK

PRODUCTS, INC.

Transceiver Mounting Location for this Model



Transceiver Mounting Location for this Model

