

AEG

Power Solutions

**Kommunikationszubehör
für USV PROTECT C. / C. R / 1. / 1.M**

**Communication accessory
for UPS PROTECT C. / C. R / 1. / 1.M**

**Einsteckkarte pot.-freie Kontakte
Slotcard potential - free contacts**

AEG Power Solutions GmbH
Änderung / Revision 03 / Schneider
Datum / Date 05 / 2008

Betriebsanleitung
Operating instructions
8000011647 BAL en

Settings of Jumper on AS/400 (Ver01688-04)

1 . Feature of the AS/400 card (Ver01688-04)

AS/400 (Ver01688-04) card provides shutdown and monitoring of UPS status through a relay dry-contact signal as previous version, to meet different application requirement, the AS/400 (Ver01688-04) card is capable of selection the status of the dry-contact signal (active close or active open) by jumper setting.

This document describes the logical connection implemented on the card and the definition of the jumper setting.

2 . Internal Logical connection

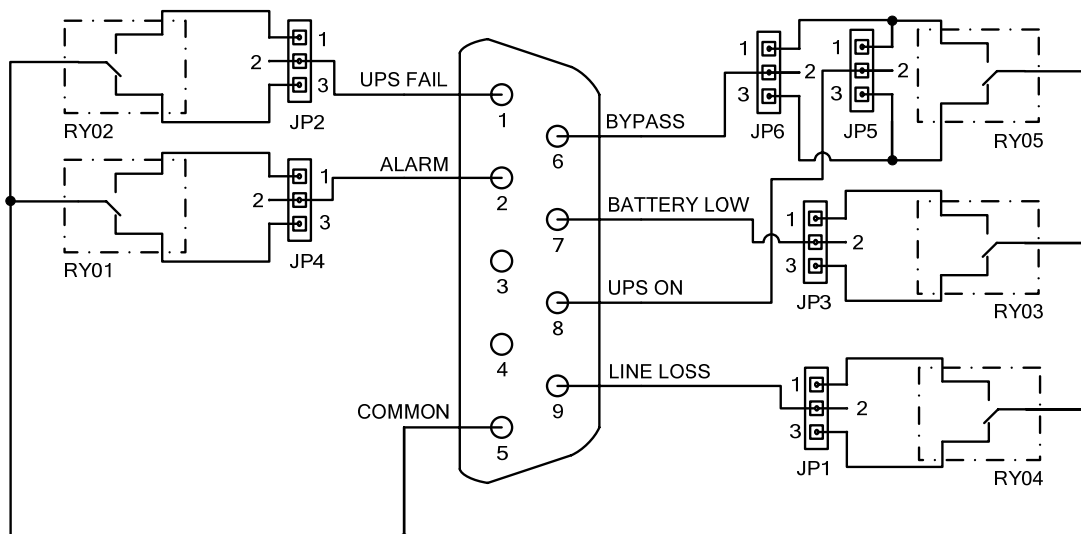


Fig. 1 Pin definition and internal logical connection

Please refer to Fig.1 on the card. There are 5 relays action according to the UPS status under control of the controller on the card, and Normal-Close terminal and Normal-Open terminal of each relay connect to pin 1 and pin 3 of a 3-pin connector respectively, the pin 2 of the 3-pin connector connect with the signal pin of the DB9 interface connector. The 2-pin jumper can be plug to the 3pin connector to either short circuit Pin1 & Pin2 or short circuit Pin3 & Pin2.

Accordingly, if pin1 short-circuit with pin2 via the jumper, the status of dry contact signal will be ACTIVE CLOSE, refer to Fig 2. When the signal is active, the signal pin on the DB9 connector will **CONNECT** with the common pin (pin5) via the relay.

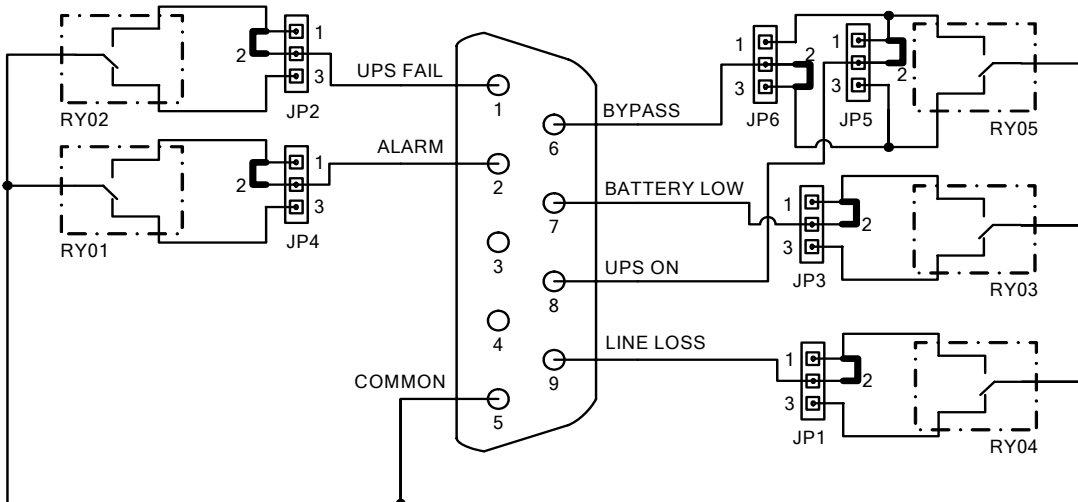


Fig. 2 Connection for ACTIVE CLOSE

If Pin3 short-circuit with Pin2 via the jumper, the status of dry contact signal will be ACTIVE OPEN, refer to Fig 3. When the signal is active, the signal pin on the DB9 connector will **DISCONNECT** with the common pin (pin5) via the relay.

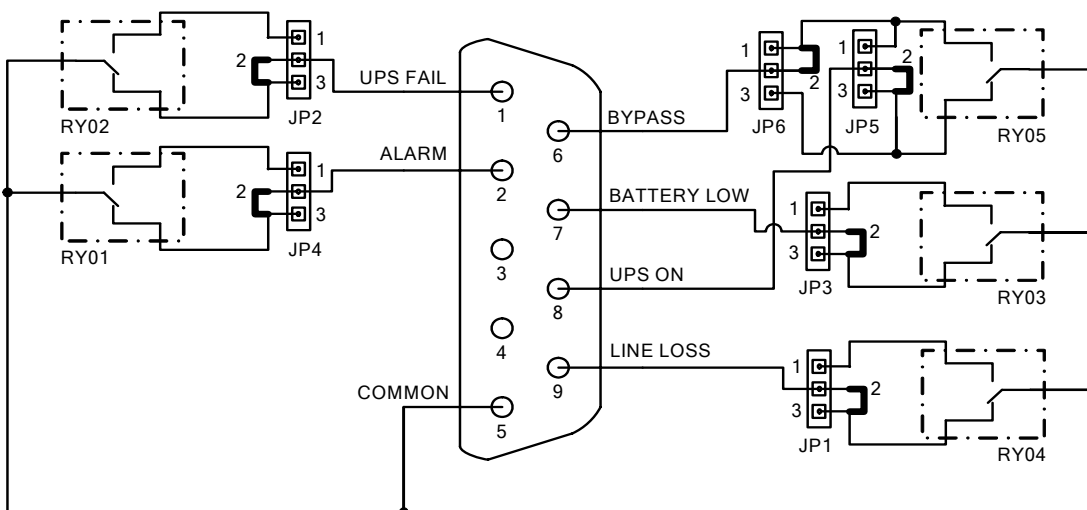


Fig. 3 Connection for ACTIVE OPEN

3 . Settings of jumper on the card

Please refer to Fig 4, the 3-pin connectors can be easily found just near to the relay.



Fig. 4 The AS400 card (Ver01688-04)

There are 2 white silk screen rectangle envelop each 3pin connector, a big rectangle envelop the whole connector, a smaller one envelop 2pin of the connector as shown in Fig. 5.

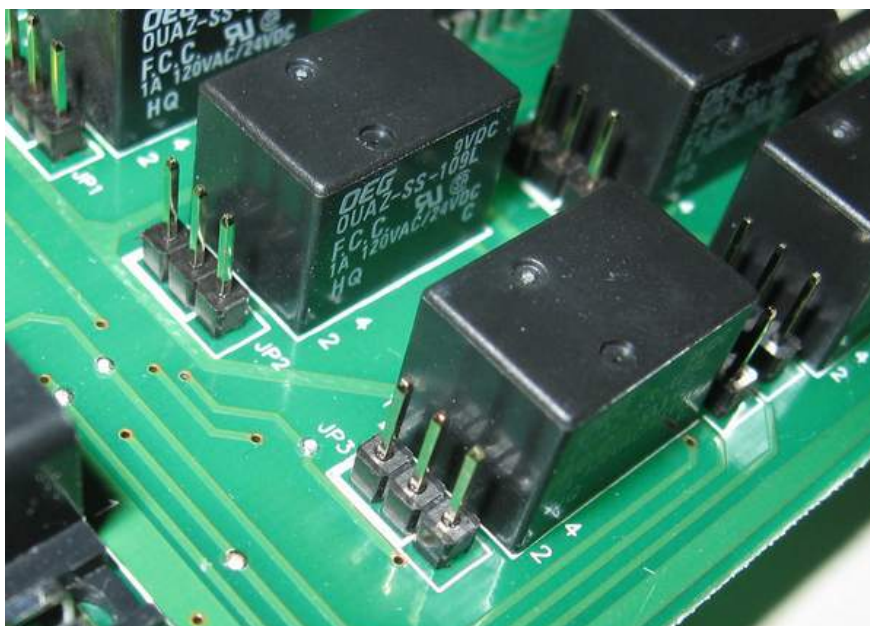


Fig. 5 Two white silk screen rectangle envelop each 3-pin connector

To achieve ACTIVE CLOSE dry-contact signal, the jumper should connect the 2 pins enveloped by the small silk screen rectangle as shown in Fig. 6.

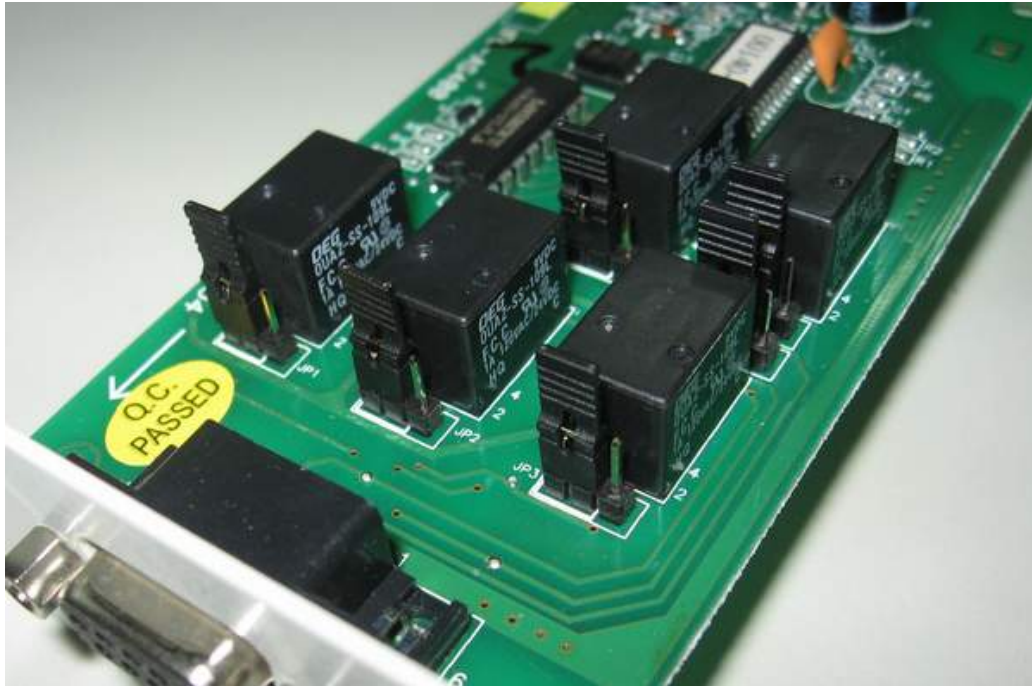


Fig. 6 Jumper setting for **ACTIVE CLOSE**

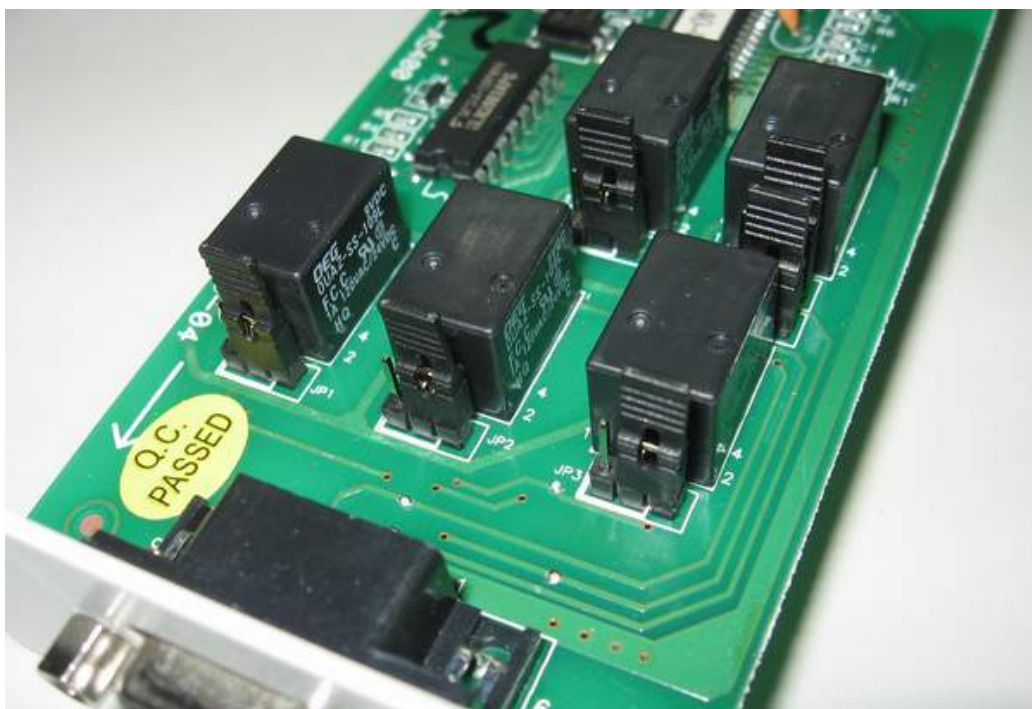


Fig. 7 Jumper setting for **ACTIVE OPEN**

To achieve ACTIVE OPEN dry-contact signal, the jumper should connect the middle pin and the rest pin does not enveloped by the small silk screen rectangle as shown in Fig. 7.

The default setting of the jumper is ACTIVE CLOSE.

4 . Pin description

Pin assignment	Description
1	UPS failure
2	Summary alarm (signal of pins 1, 7 and 9)
3	not connected
4	
5	Common ground for pins 1, 2, 6, 7, 8 and 9
6	Bypass active
7	Battery low
8	UPS on
9	Utility Failure

Pin 1: UPS fault
Battery below cutoff voltage

Pin 2: Summary Alarm:
UPS failure, battery low, utility failure

Pin 3 and 4: not connected

Pin 5: Common ground for relays (pins 1, 2, 6, 7, 8 and 9)

Pin 6: Bypass active; mains operation

Pin 7: Battery low
Battery voltage is below the predetermined level

Pin 8: UPS on; normal operation;
(relay closed during normal operation)

Pin 9: Utility failure; battery operation

**Attention ! max. contact load rating: AC \leq 60 V / 0.5 A
DC \leq 24 V / 0.5 A**

Guarantee Certificate

Type :

Serial no. :

Date of purchase :

Dealer Stamp / Signature

Errors and changes excepted.

AEG

Power Solutions

Emil-Siepmann-Straße 32

59581 Warstein - Belecke

Germany

Tel.: +49 (0) 180 523 4787

Fax: +49 (0) 180 523 4789

www.aegpartnernet.com

Operating instructions
8000011647_03 BAL, en