

# Panasonic

Microcassette™ Recorder

**RN-202/502**

**Operating Instructions**

**Instrucciones de  
funcionamiento**

**使用説明書**

**إرشادات التشغيل**



Before connecting, operating or adjusting this product,  
please read these instructions completely.

RQT2452-G F0494N0

## ENGLISH

### Power source

#### ■ Dry cell batteries **A**

Insert two UM-3 (R6/LR6, not included) batteries.

#### Battery removal

Press the ⊕ side toward the ⊖ battery terminal and lift up.

#### When the batteries are weak

The REC/BATT check indicator will become dim or turn off during recording (Only RN-502). **B**

Also, the tape speed will slow down, the sound will become distorted and the volume will decrease.

#### ■ AC power operation **B**

Connect only Panasonic AC adaptor (optional).

### To make recording **E**

#### Follow the steps 1-4 as figure **E**.

Use a tape with tabs in place.

The recording level is automatically adjusted.

The built-in microphone is omnidirectional, so that recording is available in every direction.

#### ■ To stop recording

Press **STOP/EJECT**.

#### ■ To temporarily stop recording

Set the **PAUSE** selector to **PAUSE**.

To resume recording, set it to **OFF**.

#### ■ To recording through the external microphone (Only RN-502)

Plug the external microphone (not included) into the **MIC** jack. Then follow the steps 1-4 as figure **E**.

#### ■ Silent auto-stop (Only RN-502)

When the tape comes to its end during playback (or recording), the tape stops moving and the power is turned off. After that, be sure to press the **STOP/EJECT** Button.

#### ■ To record for a long time

Set the **TAPE SPEED** selector to **1.2**.

● It is recommended **2.4** position for better sound quality.

#### ■ To play the desired tone (Only RN-502)

Set the **TONE** selector to **HIGH** or **LOW**.

#### ■ To fast forward and rewind

Press **FF/CUE** (fast forward) or **REW/REV** (rewind).

#### Note:

When the tape reaches the end, press **STOP/EJECT** to release the button and turn off the unit.

#### ■ Cue and review

Sound can be monitored at a high speed for as long as the **FF/CUE** (cue) or **REW/REV** (review) is held down during playback.

When the button is released, normal playback will start.

#### ■ Tape counter and reset button (Only RN-502)

The digits returns to "000" when the reset button is pressed. The digits advance with the tape to provide a reference to quickly find a desired portion of tape.

### Notes

- Avoid using or placing this unit near sources of heat. Do not leave it in an automobile exposed to direct sunlight for a long period of time with the doors and windows closed, as this may deform the cabinet.
- Do not bring magnetized commuter passes, credit cards, recorded tapes, etc., close to the monitor speaker.
- When not in use, disconnect the AC adaptor from the AC power outlet.

#### To prevent possible damage to this unit

- Load new battery with their polarities (⊕ and ⊖) aligned correctly.
- Do not apply heat to batteries, or internal shortcircuit may occur.
- If this unit is not to be used for a long period of time, or used on AC mains supply, remove the batteries and store them in a cool and dry place.
- Remove spent batteries immediately.
- Do not use old and new batteries together. Also never use an alkaline battery with a manganese battery.

#### ■ Head care **C**

To ensure good sound quality, be sure to clean the head after approximately every 10 hours of use with a cotton swab dampened with a little alcohol.

## ■ To record with VAS (Voice Activated System) function (Only RN-502)

The sound is recorded automatically, so there is no tape waste.

To use VAS function, select **VAS** in step 2 and adjust the **VAS LEVEL**.

1-3: If you wish to record only the louder sounds.

4-7: If you wish to record normal level sounds.

8-10: If you wish to record lower levels of sound than usual.

No sound is recorded at the "0" position.

## ■ Sound Level Equalizer recording (Only RN-502)

SLE improves recording in remote locations, away from the source. This is helpful in class and conference rooms.

The sound level equalizer indicator will light in green when recording is in progress.

## ■ Follow up recording

Recording can be started during playback by simply pressing **REC**.

## ■ Quick review

To listen to the sound you have recorded, press and hold **REW/REV**.

When the button is released, playback will start.

## ■ Monitoring

The sound can be heard with an optional earphone plugged into the **MONIT** jack.

(Plug type: Monaural mini)

● Avoid listening for prolonged periods of time to prevent hearing damage.

## Note:

Do not adjust the volume during recording with the VAS function, or the VAS LEVEL would be changed.

## To playback the tape **F**

Follow the steps 1-4 as figure **F**.

## ■ To stop play

Press **STOP/EJECT**.

## ■ To play faster than usual

Press the **FAST PLAY** selector to **FAST PLAY**.

## ■ Record prevention **D**

Removing the tab(s) of the cassette (with a small screwdriver) will prevent accidental erasure. To record again, cover the hole of the tab with adhesive tape.

Ⓐ Screwdriver

Ⓑ Side 1

Ⓒ Side 2

Ⓓ Tab for Side 1

## Technical Specifications

### Power

**requirement:** Battery; 3 V [Two UM-3, (R6/LR6) batteries]  
AC; with optional Panasonic AC adaptor RP-AC31 (not available in some countries)

**Power output:** 360 mW (max.)

**Speaker:** 3.6 cm

**Tape speed:** 1.2 cm/s, 2.4 cm/s

**Program time**

at "1.2" speed: 1 hour on one side

2 hours on both sides

at "2.4" speed: 30 minutes on one side

1 hour on both sides

(with RT-60MC microcassette tape)

**Track system:**

2 track monaural recording and playback

**Output:**

MONITOR (8Ω)

**Input (Only RN-502):** EXT. MIC (200-600Ω)

**Dimensions**

(W×H×D): 58×117×23.7 mm

**Weight:** RN-202; 130 g

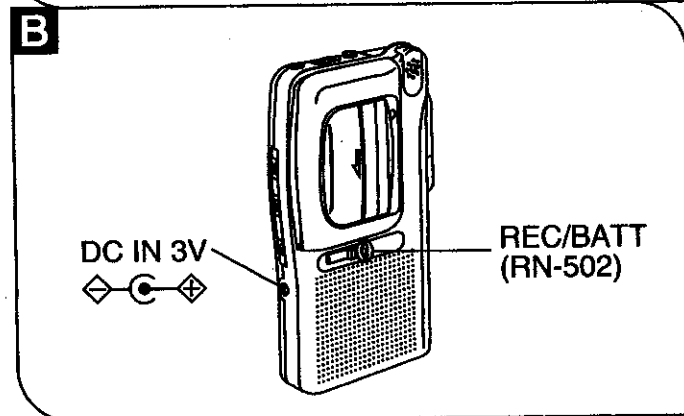
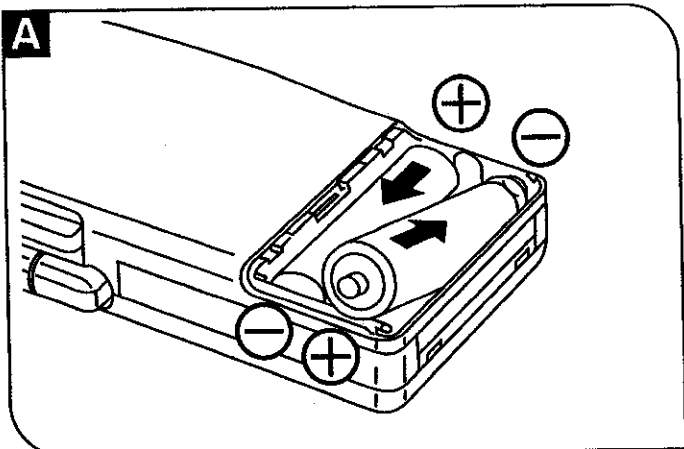
(without batteries) RN-502; 135 g

### Note:

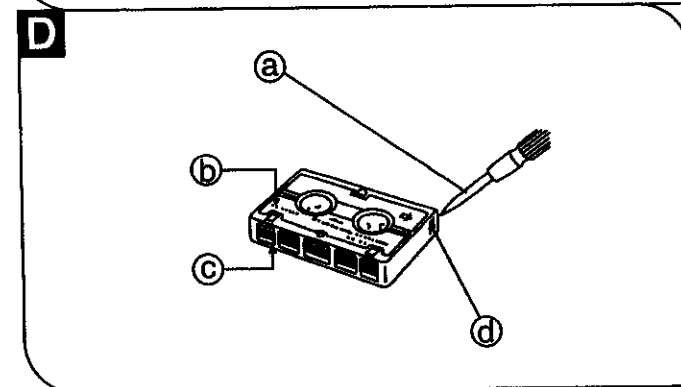
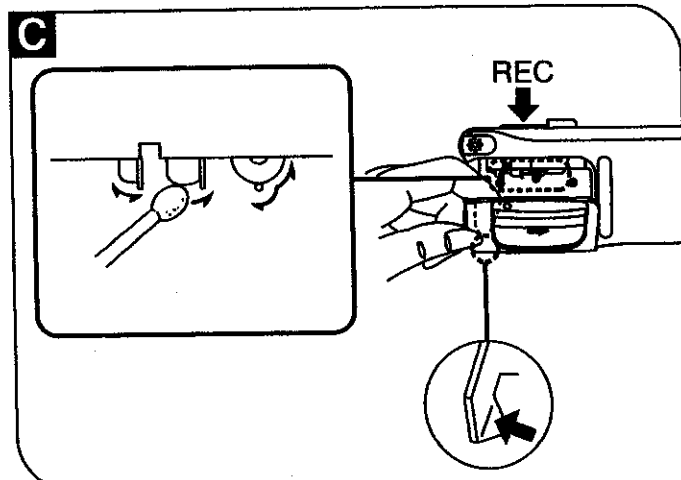
Specifications are subject to change without notice.

Weight and dimensions are approximate.

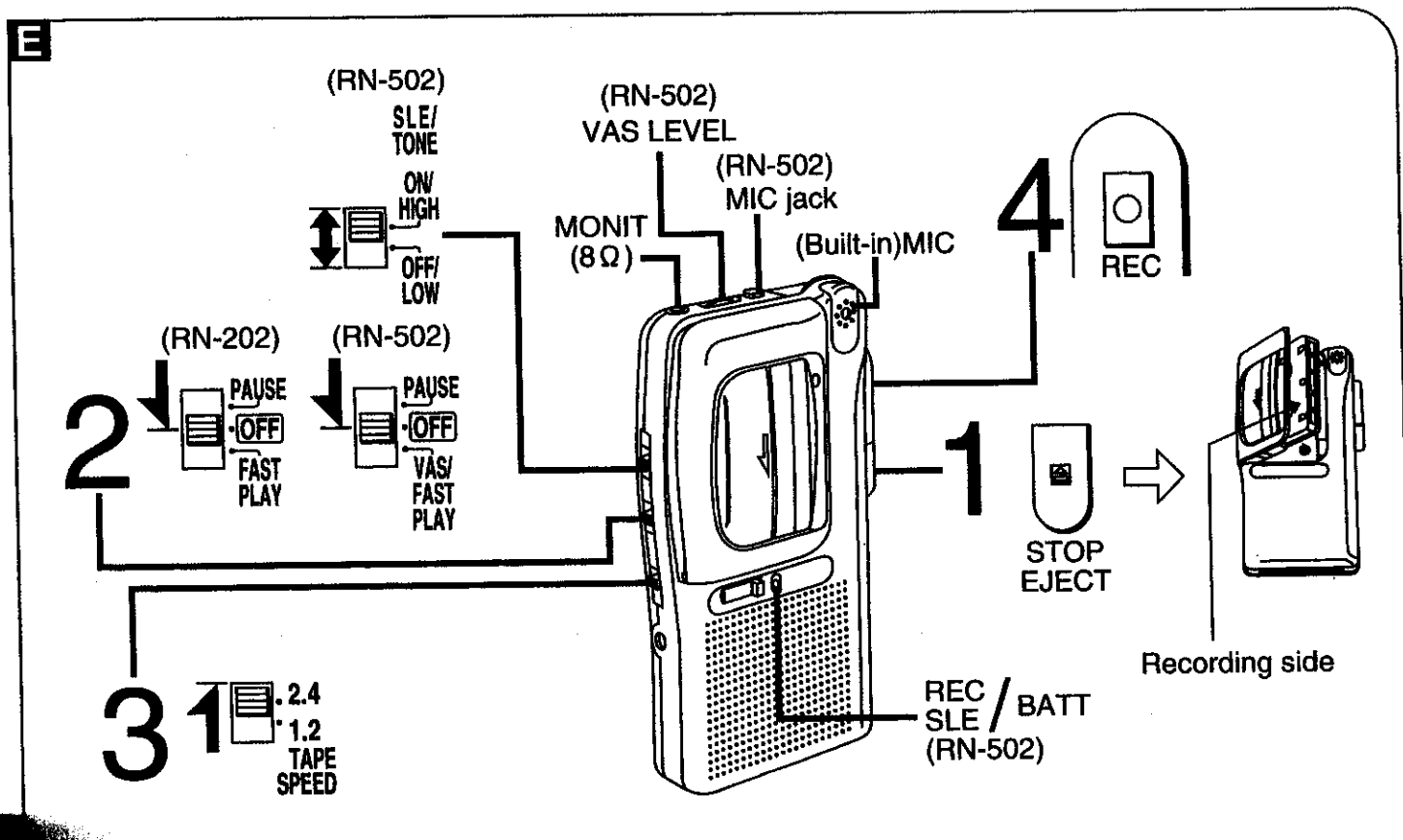
## POWER SOURCE



## CARE AND USE



## RECORDING



# TAPE PLAYBACK

F

