

VR5320R VR5330R



Some of the following information may not apply to your particular product; however, as with any electronic product, precautions should be observed during handling and use.

- Read these instructions.
- Keep these instructions.
- Heed all warnings.
- Follow all instructions.
- Do not use this apparatus near water.
- Clean only with dry cloth.
- Do not install near any heat sources such as radiators, heat registers, stoves, or other apparatus (including amplifiers) that produce heat.
- Only use attachments/accessories specified by the manufacturer.
- Refer all servicing to qualified service personnel.

service personnel. Servicing is required when the apparatus has been damaged in any way, such as power-supply cord or plug is damaged, liquid has been spilled or objects have fallen into the apparatus, the apparatus has been exposed to rain or moisture, does not operate normally, or has been dropped.

ADDITIONAL SAFETY INFORMATION:

- Apparatus shall not be exposed to dripping or splashing and no objects filled with liquids, such as vases, shall be placed on the apparatus.
- Do not attempt to disassemble the cabinet.
- This product does not contain customer serviceable components.
- The marking information is located at the bottom of apparatus.

Important battery precautions

- Any battery may present a risk of fire, explosion, or chemical burn if abused. Do not try to charge a battery that is not intended to be recharged, do not puncture.
- Non-rechargeable batteries, such as alkaline batteries, may leak if left in your product for a long period of time. Remove the batteries from the product if you are not going to use it for a month or more.
- If your product uses more than one battery, do not mix types and make sure they are inserted correctly. Mixing types or inserting incorrectly may cause them to leak.
- Discard any leaky or deformed battery immediately. They may cause skin burns or other personal injury.
- Please help to protect the environment by recycling or disposing of batteries according to federal, state, and local regulations.

IMPORTANT SAFETY INSTRUCTIONS

PLEASE READ AND SAVE THIS FOR FUTURE REFERENCE

WARNING: The battery (battery or batteries or battery pack) shall not be exposed to excessive heat such as sunshine, fire or the like.

Ecology: Help protect the environment - we recommend that you dispose of used batteries by putting them into specially designed receptacles.

Precautions for the unit

- Do not use the unit immediately after transportation from a cold place to a warm place; condensation problems may result.
- Do not store the unit near fire, places with high temperature or in direct sunlight. Exposure to direct sunlight or extreme heat (such as inside a parked car) may cause damage or malfunction.
- Do not expose to rain or moisture.
- Clean the unit with a soft cloth or a damp chamois leather. Never use solvents.
- The unit must only be opened by qualified personnel.

Headset safety

- To use a headset safely, please keep the following in mind:
 - Do not play your headset at a high volume. Hearing experts advise against continuous extended play.
 - If you experience ringing in your ears, turn down the volume or stop using the headset.
 - Do not use a headset while driving a motorized vehicle or riding a bike. It may cause a traffic hazard and is illegal in many areas.
 - Even if your headset is an open-air type designed to let you hear outside sounds, don't turn up the volume so high that can't hear sounds around you.

FCC Information

Note: This equipment has been tested and found to comply with the limits for a Class B digital device, pursuant to Part 15 of FCC Rules. These limits are designed to provide reasonable protection against harmful interference in a residential installation. This equipment generates, uses, and can radiate radio frequency energy and, if not installed and used in accordance with the instructions, may cause harmful interference to radio communications.

However, there is no guarantee that interference will not occur in a particular installation. If this equipment does cause harmful interference to radio or television reception, which can be determined by turning the equipment off and on, the user is encouraged to try to correct the interference by one or more of the following measures:

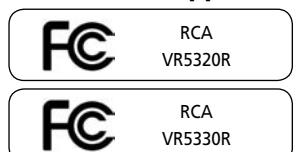
- Reorient or relocate the receiving antenna.
- Increase the separation between the equipment and receiver.
- Connect the equipment into an outlet on a circuit different from that which the receiver is connected.
- Consult the dealer or an experienced radio/TV technician for help.

Changes or modifications not expressly approved by Audiovox could void the user's authority to operate the equipment.

Manufacturer/Responsible Party Audiovox Accessories Corporation 111 Congressional Blvd., Suite 350 Carmel, IN 46032

1-317-810-4880 (No technical / product support is available via this number. This phone number is for regulatory matters only.)

Visit www.rcaudiovideo.com for technical support



This Class B digital apparatus complies with Canadian ICES-003. Cet appareil numérique de la classe B est conforme à la norme NMB-003 du Canada.

Service information

This product should be serviced only by those specially trained in appropriate servicing techniques. For instructions on how to obtain service, refer to the warranty included in this user manual.

For your records: In the event that service should be required, you may need the model number and the serial number. In the space below, record the date and place of purchase and the serial number.

Model No.: Date of Purchase: Place of Purchase: Serial No.:

Power Supply 2 x "AAA" (battery power)

ESD Remark: In case of malfunction due to electrostatic discharge just reset the product (disconnect and reconnect of the power source may be required) to resume normal operation.

Before you begin

Unpacking your player You should have the following:

- One voice recorder
- One user manual
- One quick start guide
- One carrying case (for VR5330R only)
- Two AAA size batteries (For VR5330R only)

Turn off the player first before recharging batteries. If power interruption exceeds 20 seconds, date and time have to be set again.

Auto power shut down The player will be automatically turned off if left idle for three minutes.

Using earphones and external microphone

- When earphones are connected, sound output from speaker will be muted.
- When external microphone is connected, no recording can be made from built-in microphone.

Installing batteries This player can be operated by 2 "AAA" batteries (included).

- Slide the battery compartment door to open.
- Insert the two supplied "AAA" batteries with polarities matching indications.
- Replace the battery compartment door.

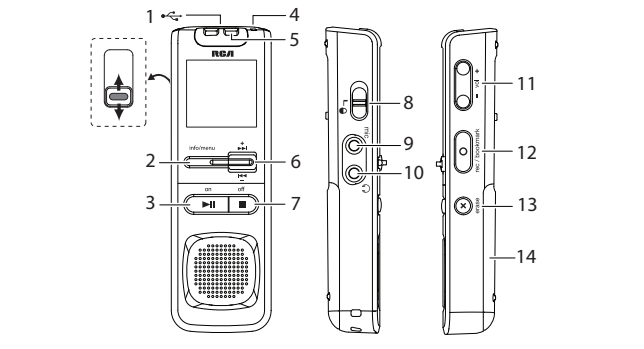
Refer to the battery level indicator on display for battery's level. Replace with new batteries when the indicator is empty.

Player on/off Press **ON** to turn on the player. Press **OFF** to turn off the player.

Keys lock To avoid accidental key selection, slide the key lock selector toward the lock icon (L) to lock the keys. Reverse the step to unlock them.

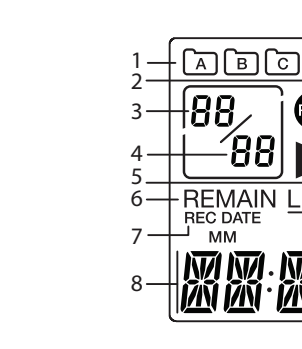
General controls

Player controls



- USB connector - Press the button on the back and then slide to extend or retract the connector.
- info/memo - Press and hold to access the player menu.
- Press repeatedly to show information of current file.
- on - Press the button to turn player on, start/pause playback.
- Recording indicator
- + / - / - - Skips / searches backward or forward, selects / browses in the player menu.
- off - Turns off player, stops playback or recording.
- Key lock selector
- External microphone jack
- External earphones jack
- + Vol - Adjusts volume, selects / browses in the player menu.
- rec/bookmark - Starts and pauses recording, inserts bookmarks
- x, erase - Erases files, bookmarks or format memory.
- Battery compartment door

Display



- Folder (A/B/C/D)
- Recording in progress
- File selected
- Total number of files in a folder
- Playback in progress
- Remaining time for recording
- Recording date
- Area for displaying messages (refer to the next section)
- Battery level indicator
- Key lock function activated
- Bookmarks
- Recording conditions
- Playback speed
- Playback mode: play one or play all
- Automatic voice recording activated
- Recording quality
- Month (MM), Day (DD) and Year (YY)

Display messages

The messages show at the bottom of the display during operation. Refer to the below for their meanings:

- 12 HOUR** 12 hour time display mode
- 24 HOUR** 24 hour time display mode
- OFF** Off (Automatic Voice Recording)
- APPEND** Appendix (Adding Appendix)
- BATTL0** Batteries are weak
- CUTE** Cut End (Cutting)
- DEL 01** Delete the current file
- DEL AL** Delete all files in a folder
- DEL BK** Delete all bookmarks in the current file
- FORMAT** Format the memory
- ADD BK** Insert bookmark
- INSERT** Insertion (Inserting New Segments)
- LOCKED** Key locked
- NO BK MK** No bookmark created in the current file
- NO TONE** No beeping sound (Setting Beep Sound)
- OFF** Off (Automatic Voice Recording)
- ON** On (Automatic Voice Recording)
- PAUSE** Playback or recording is paused
- PCLINK** Player is connected to the computer
- SEN MI** Sensitivity Level (AVR)
- SPEED** Speed of playback
- BEEP** Beeping sound on (Setting Beep Sound)
- VOL 15** Volume (Setting Volume)
- WAIT** Memory rearrangement/System is busy

Basic operations

Selecting folders and files

- Press and hold **info/memo** for about 2 seconds and then release the button. The first menu item **FOLDER** flashes on the display.
- Press **left** or **right** or **Vol** or **+** to select a specific folder (A/B/C/D).
- Press **enter**

- Press and hold **left** or **right** to make quick search within a file.
- Quick search skips by second within the first minute of a recording. After that, the search skips by minute. To resume searching by second, release the button once and then press and hold **left** or **right** again.
- Press **left** or **right** once to skip one file forward or backward.
- Press **enter** to stop playback.

To select files:

- Select the folder you need.
- Select a file.
- If the file you want is in the current folder, you can press **enter** to select it directly in both stop and play modes.

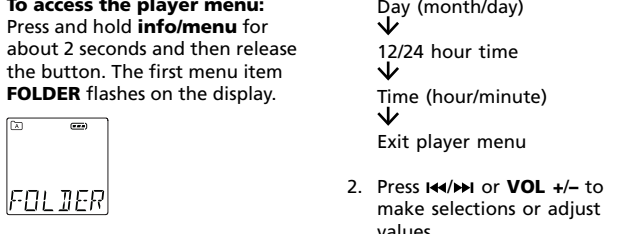
- Press **info/memo** repeatedly to show various information of the current file:
 - Current clock time
 - Record date of current file
 - Record time of current file
 - Bookmark (if available) of current location
 - Remaining recording time
 - Elapsed play time (during playback)

To play back recorded files:

- Press **left** or **right** to select a folder and a file.
- Press **enter** to start playback.
- Press **stop** to pause playback, press again to resume.
- You can press **Vol** or **+** to adjust listening volume.

Player menu

To access the player menu: Press and hold **info/memo** for about 2 seconds and then release the button. The first menu item **FOLDER** flashes on the display.



To change settings in the menu:

- In the player menu, press **info/memo** repeatedly to view the following menu items:

- Folder (A/B/C/D)
- Record conditions (DICT/CONF)
- Record quality (LP/SP/HQ)
- AVR (on/off)
- Playback speed (FAST/SLOW)
- Playback mode (one/all)
- Tone (on/off)
- Year

Recording

Setting recording mode

- While playback is stopped, select a destination folder (A/B/C/D) (refer to "Basic operations").
- Press **enter** to start recording. (recording time will be displayed once you press the button)
- To pause recording, press **stop** once, press again to resume recording.
- To stop recording, press **stop**.

AVR (Automatic Voice Recording)

This feature allows the player to sense sound and to record only when you are speaking into the microphone. When you stop for about three seconds, recording will pause and then start again automatically when you resume dictation.

- While playback is stopped, select a destination folder (A/B/C/D) (refer to "Basic operations").
- Press and hold **info/memo** for about 2 seconds and then release the button. The first

menu item **FOLDER** flashes on the display.

- Press **info/memo** repeatedly until **AVR** flashes on the display.
- Press **left** or **right** or **Vol** or **+** to select between **AVR ON** and **AVR OFF**.
- Press **enter** to exit the player menu.
- Press **stop** to enter AVR mode.
- Start dictation. Recording starts automatically.
- During AVR recording, adjust the sensitivity of the microphone by pressing **Vol** or **+**. **SEN** with sensitivity level will show on display (e.g. increase sensitivity level when recording source is far from the player or the recording environment is quiet).
- Press **stop** to end AVR recording.
- Repeat step 2-5 and select **AVR OFF** for de-selection.

Setting recording quality

To select among the recording qualities (default is SP):

- LP (Long Play)** - allows for about 400 (VR5320R) / 800 (VR5330R) hours recording. Recording format: .voc
- SP (Standard Play)** - allows for about 70 (VR5320R) / 140 (VR5330R) hours recording. Recording format: .voc
- HQ (High Quality)** - allows for about 20 (VR5320R) / 70 (VR5330R) hours recording. Recording format: .wav

- Press and hold **info/memo** for about 2 seconds and then release the button. The first menu item **FOLDER** flashes on the display.
- Press **info/memo** repeatedly until **DICT** or **CONF** flashes on the display.
- Press **left** or **right** or **Vol** or **+** to select between **DICT** and **CONF**.
- Press **enter** to exit the player menu.

Setting recording condition

To select between two recording conditions (default is DICT):

- CONF (Conference)** - in a more open area and recording source is far from the player.
- DICT (Dictation)** - in a more enclosed area and recording source is close to the player.

- Press and hold **info/memo** for about 2 seconds and then release the button. The first menu item **FOLDER** flashes on the display.
- Press **info/memo** repeatedly until **DICT** or **CONF** flashes on the display.
- Press **left** or **right** or **Vol** or **+** to select between **DICT** and **CONF**.
- Press **enter** to exit the player menu.

For conferences, to obtain optimum recording quality,

- place the recorder with the microphone freely exposed to the sound source as close as convenient. A built-in automatic recording level control will set the optimum record level during normal recording. Avoid recording near unwanted sound sources, such as air conditioners or fans.
- if power supply from the battery fails suddenly (e.g. batteries are removed accidentally) during recording, the recording in progress will be interrupted. The recorded file may also be corrupted and cannot be played back.

Erasing files and bookmarks

Erasing mode

To erase files or bookmarks, **wait** icon is stopped:

- Press **x** once.
- Press **left** or **right** to select one of the erasing options:
 - Delete the current file (**DEL 01**)
 - Delete all files in the current folder (**DEL AL**)
 - Delete all files in the current folder (**DEL BK**)

- File numbers that come after erased one will be moved forward by one automatically.
- Press **stop** to cancel erasing all files. The undeleted files are saved automatically.
- Formatting the internal memory may be required when:
 - The flash memory becomes unstable after performing many times on file creation and deletion.
 - To ensure the file system compatibility (i.e. file system FAT32 for application).
 - You may also format the player when connected to a PC by right-clicking on the player's drive name or letter and select "Format" from the menu. Make sure you select FAT or FAT32 as the file system.

Editing

CAUTION

- The edit function does not operate when battery power is too low.
- Make sure **PLAY ALL** files is not selected. Inserting new segments, adding appendix and cutting cannot be performed when **PLAY ALL** files is selected.
- After editing a message, **WAIT** setup does not appear. Do not power off the player until **WAIT** disappears. Otherwise, the memory which is rearranging could not be read or released until the player is formatted.

Editing mode

To insert bookmarks, new segments or appendix to a recorded file:

- Select the desired file and start playback.
- Press **stop** during playback to enter editing mode. Playback is paused.
- Press **left** or **right** to select one of the editing options:
 - Insert an interception point (bookmark) into the current file for quick reference (**ADD BK**)
 - Insert a new segment into the current file (**INSERT**)
 - Insert an appendix at the end of the current file (**APPEND**)
- With one of the above options selected, press **enter** again to confirm your selection and start the editing. Refer to the following sections for details.

Bookmark

To create bookmarks:

- Once **stop** is pressed (refer to step 4 in the section "Editing mode"), the bookmark icon flashes and a newly created bookmark number shows on the display.
 - You can create up to 29 bookmarks in a file. When the maximum limit is reached, **FULL** will be shown.
 - The minimum interval between bookmarks is 3 seconds.
- To skip to a bookmark anytime during playback:
- During playback, press **stop** to go to the bookmark (if available).
 - Press **right** again to go to the next bookmark.

To delete all bookmarks created in the current file:

- Once **stop** is pressed (refer to section "Erasing files and bookmarks"),
- Press **left** or **right** to select "Erasing files and bookmarks" (refer to section "Erasing files and bookmarks").

Insert

To insert a new segment into the current file:

- Once **stop** is pressed (refer to step 4 in the section "Editing mode"), pause mode is released and the REC icon shows. The recording of a new segment is started from where the pause mode is released.
- Press **stop** to stop the recording of new segment.
- Do not power off the player if **WAIT** appears on the display.

Append

To insert an appendix at the end of the current file:

- Once **stop** is pressed (refer to step 4 in the section "Editing mode"), the REC icon shows and recording of appendix is started.
- Press **stop** to stop the recording of the appendix.
- Do not power off the player if **WAIT** appears on the display.

Cut

To erase unwanted parts from the current file:

- Start playback of the desired file.
- Press **x** to mark the start of the unwanted part, **CUTE** shows on display.
- Press **x** to mark the end of the unwanted part, **CUTE** shows on display.
- Press **enter** again to confirm cutting within 3 seconds. Otherwise, the cutting operation will be canceled. You may also press **stop** to cancel the cutting operation.
- Do not power off the player if **WAIT** appears on the display.

Advanced operations

Play one/all

To play a specific file or all files in a folder:

- Press and hold **info/memo** for about 2 seconds and then release the button. The first menu item **FOLDER** flashes on the display.
- Press **info/memo** repeatedly until **ONE** or **ALL** flashes on display.
- Press **left** or **right** or **Vol** or **+** to select between **ONE** and **ALL**.
- Press **enter** to exit the player menu.
- If **ONE** is selected, the player will stop after the selected file is played. If **ALL** is selected, the player will stop after all files in a folder are played.

Advanced operations

Tones

To activate or deactivate the beep sound when any key is pressed (except during playback and recording):

- Press and hold **info/memo** for about 2 seconds and then release the button. The first menu item **FOLDER** flashes on the display.
- Press **info/memo** repeatedly until **NOTONE** shows on display.
- Press **left** or **right** or **Vol** or **+** to set beep sound ON/OFF.
- Press **enter** to exit the player menu.

Speed

To adjust the playback speed:

- Press and hold **info/memo** for about 2 seconds and then release the button. The first menu item **FOLDER** flashes on the display.
- Press **info/memo** repeatedly until **SPEED** shows on display.
- Press **left** or **right** or **Vol** or **+** to select among **FAST**, **SLOW** and no speed indication (normal speed).
- Press **enter** to exit the player menu.
- The above operations can also be done during playback.

Connecting to computer

Computer system requirements

- PC with Windows® 7, Windows® Vista or Windows® XP (Service Pack 1 or higher) or Windows® 2000 (Service Pack 3 or higher).
 - Mac OS is NOT supported.
 - 20MB free hard disk space for software
 - USB port 1.1 or 2.0
 - Installed sound card
- Mac OS version (i.e. Mac OS X version 10.4.11 or later) can support the mass storage mode only for listening audio files (recorded in HQ mode under "WAV" format) through the Mac audio program (eg. Quicktime).

Connecting to computer

Connect the player before launching the Digital Voice Manager

- Extend the USB connector on the player and connect it to your computer's USB port.
- PCLINK** shows on the player's display. The player appears as a removable drive in your computer.

Installing Digital Voice Manager

- Connect the player with the computer as instructed in the previous section.
- Open My Computer and double-click the player's drive icon. Double-click **rcdVDM** setup.exe to start the Digital Voice Manager installation.
- The RCA Detective application is installed with the Digital Voice Manager application and will open the Digital Voice Manager application automatically when you connect the player to your computer.

Using Digital Voice Manager

Launching the software

- To launch the software, click **Start**, select **All Programs**, select **RCA Digital Voice Recorder**, then select **RCA Digital Voice Manager**.
- If RCA Detective feature is selected during installation of Digital Voice Manager, the application will open automatically once you connect the player to your computer.
- All the drives in the computer except the removable Digital Voice Recorder are shown in the top while the removable Digital Voice Recorder is shown in the bottom.

Playback and editing operations

- To organize your files, click the corresponding buttons to cut, delete, copy and paste a file (or by drag and drop).
- To play the recorded files, highlight the file and click the **PLAY/PAUSE** button on the left of the toolbar.

Adjusting volume

- Adjust the volume on the right of the toolbar.
- Click the corresponding buttons in the toolbar to fast backward/forward, skip to a specific time in the file and stop playback of a recorded file.
- To adjust the playback speed, click **Normal Speed** and select desired speed from the pull down menu.
- To skip to a bookmark, select **Play** from the menu at the top, then select **Go to Bookmark** and select your desired bookmark.
- To edit bookmarks, click the corresponding buttons to add or clear the bookmarks.

Creating and playing self-executable file

You can play the created file independently without the Digital Voice Management software.

- Highlight a recorded file, click **Save**.
- Select the destination folder from the pop up window and click **Save**.
- Go to the destination folder and double-click the created file.
- Click **Play** to start playback. Adjust the volume on the right.

Creating wave file

Self-executable file may be blocked by some e-mail filters. When recordings are made in **LP** or **SP** Quality, you may select to create wave file if you want to send your recorded messages by e-mail.

- Highlight a recorded file, click **Save**.
- Select the destination folder from the pop up window and click **Save**.
- The created file could be found in the destination folder.

Using Digital Voice Manager