

Parts Manual for
SNAPPER[®]

YARD CRUISER[™]
HYDRO DRIVE
YZ SERIES 3 & 4



MODELS
YZ145333BVE
YZ145383BVE
YZ15334BVE
YZ15384BVE
EYZ15334BVE

CONTENTS			
DESCRIPTION	PAGE(S)	DESCRIPTION	PAGE(S)
WHEELS- REAR	2	33" MOWER DECK ASSEMBLY	22-25
CASTER, FRONT WHEEL & TIRE ASSM'Y.	3	38" MOWER DECK ASSEMBLY	26-29
FRONT FRAME & COVER ASSEMBLY	4-5	33" SPINDLE ASSEMBLY	30
REAR FRAME ASSEMBLY	6-7	38" SPINDLE ASSEMBLY	31
JOYSTICK & OPERATOR'S SEAT	8-11	ENGINE COMPONENTS.....	32-33
FENDER & TRANSAXLE ASSEMBLY	12-15	DECALS	34-37
CLUTCH ASSEMBLY	16-17	ELECTRICAL COMPONENTS.....	38-39
DECK LIFT HANDLE ASSEMBLY	18-19	ELECTRICAL SCHEMATIC	40
BRAKE/CLUTCH LEVER ASSEMBLY	20-21		

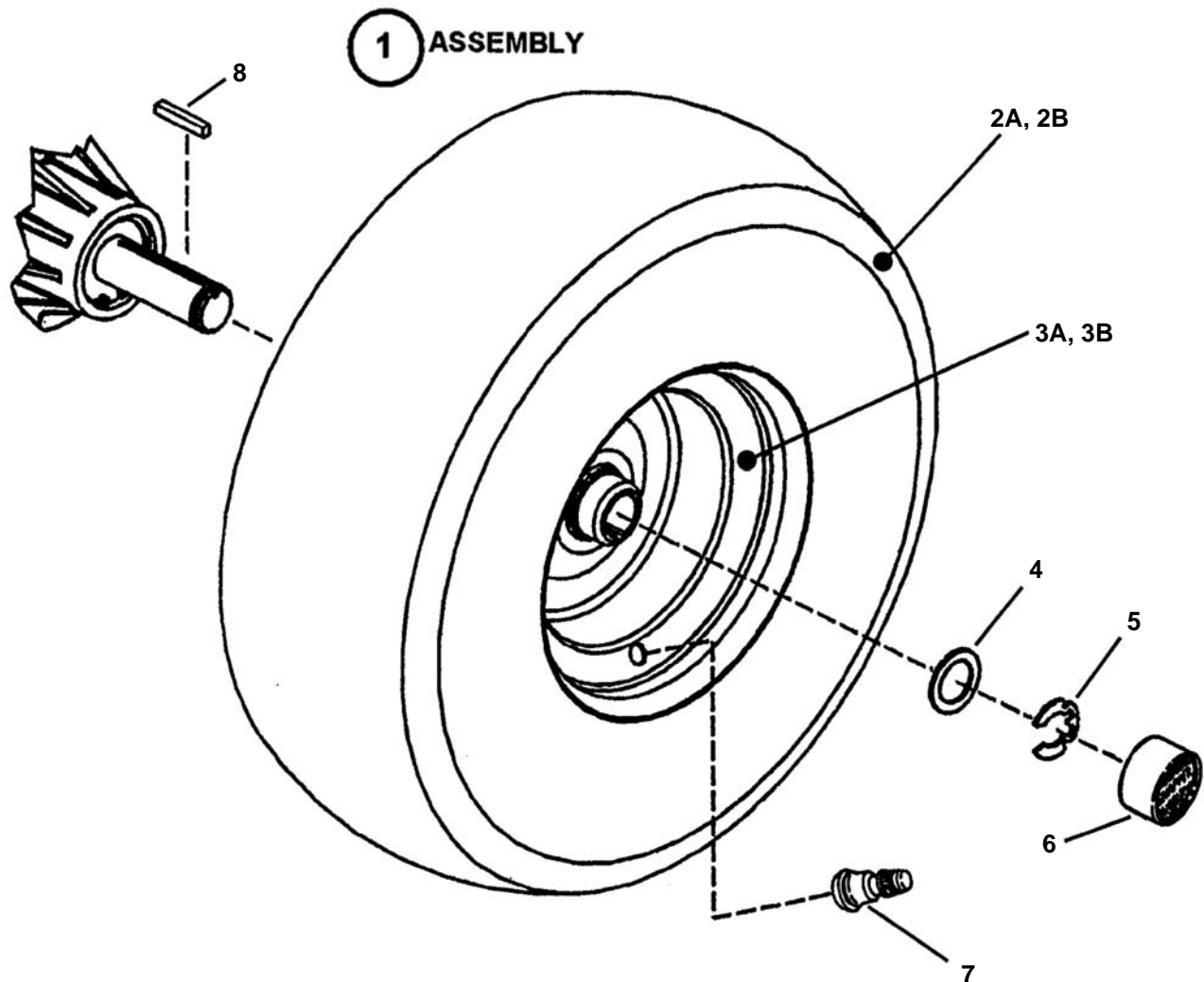
SNAPPER® McDonough, GA., 30253 U.S.A.

COPYRIGHT © 2003
 SNAPPER PRODUCTS INC.
 ALL RIGHTS RESERVED

(Rev. 3, 06/05/03)

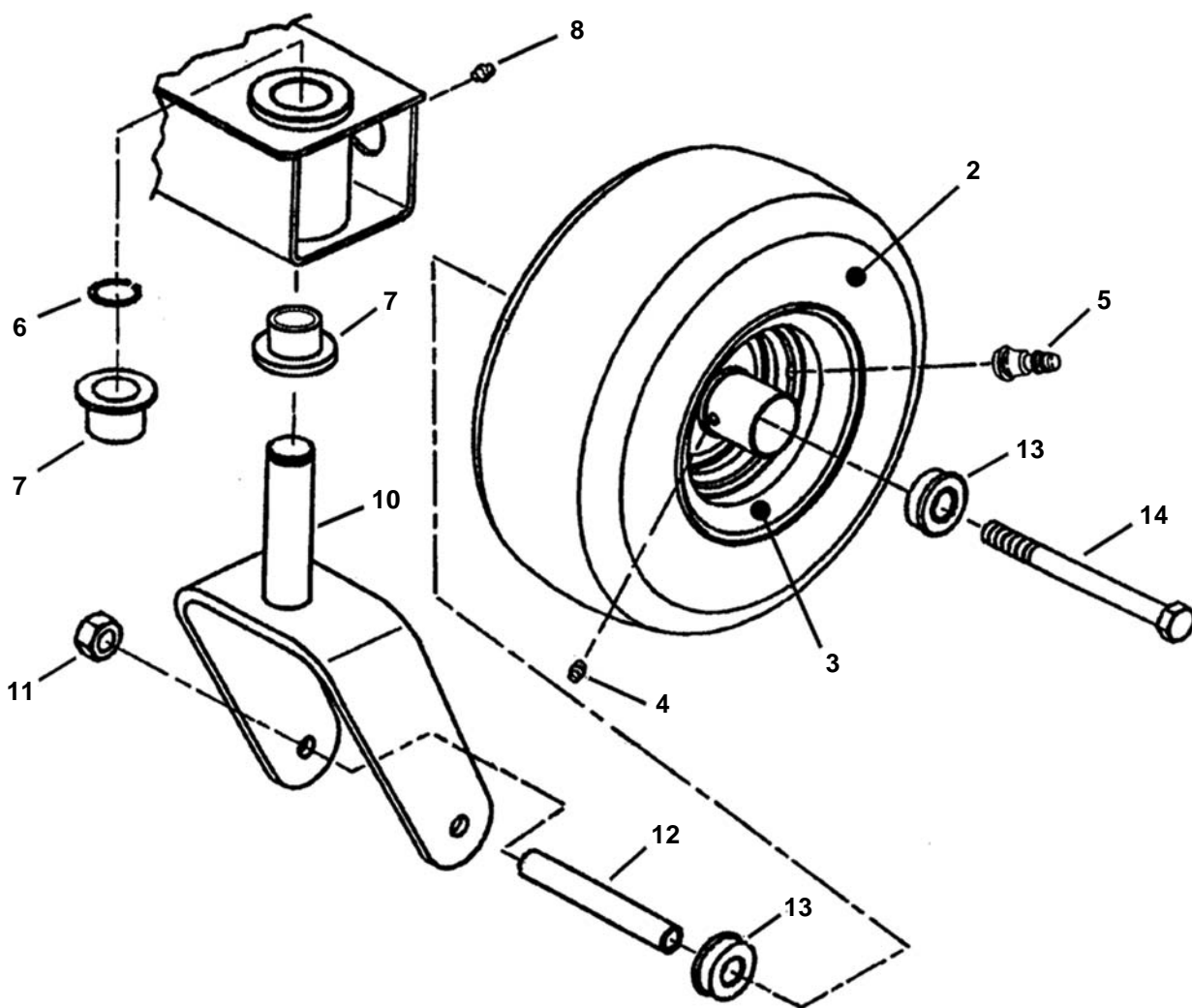
MANUAL No. 06147

WHEELS - REAR



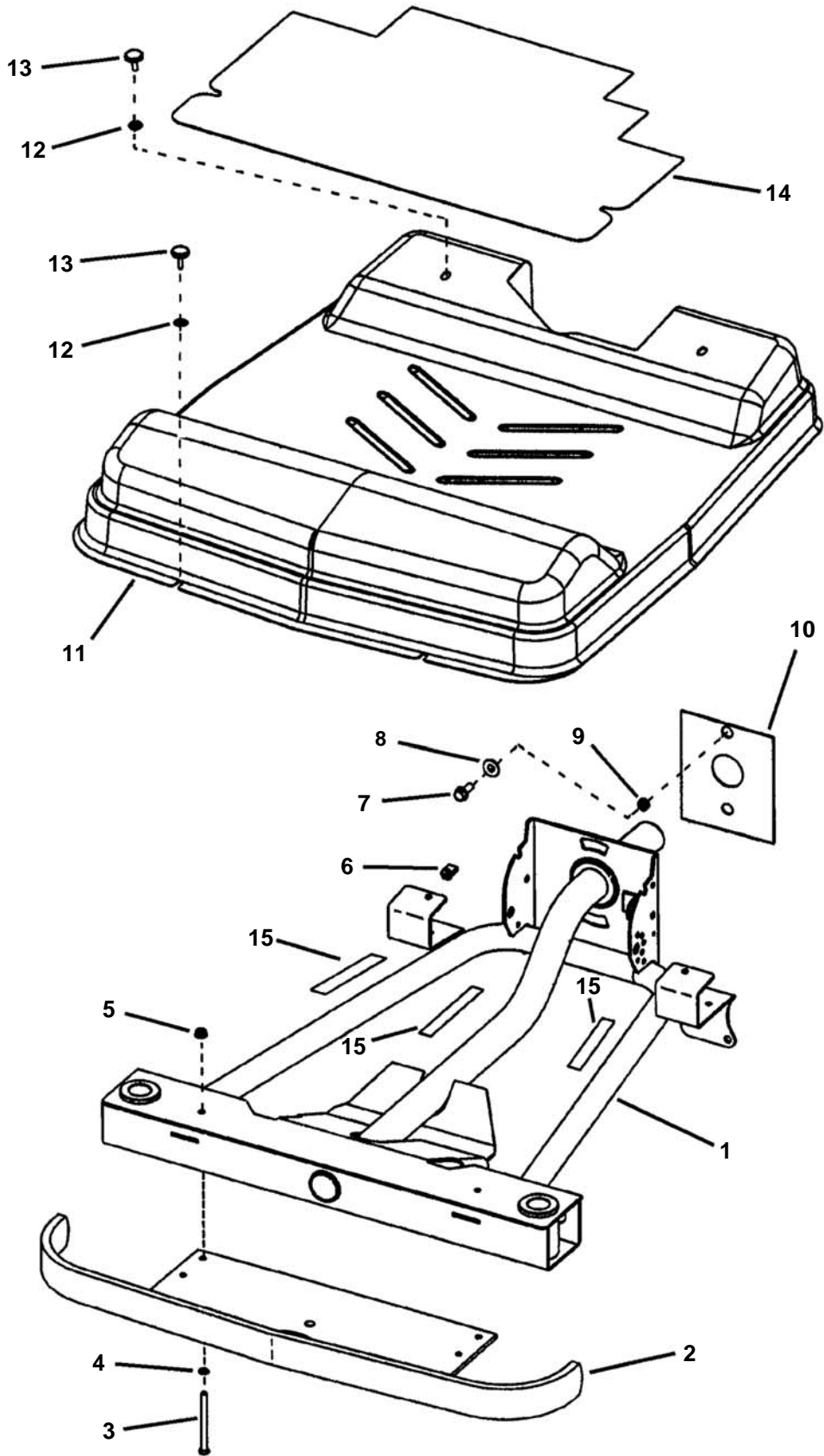
ITEM	PART NO.	DESCRIPTION
1	5-7681	ASSEMBLY, Rear Tire & Rim (2) (Includes Items 2A, 3A, & 7) (33" Models)
--	5-7682	ASSEMBLY, Rear Tire & Rim (2) (Includes Items 2B, 3B, & 7) (38" Models)
2A	4-6321	TIRE, 18 x 7.00-8, Multi-Trac (33" Models)
2B	4-6322	TIRE, 18 x 8.50-8, Multi-Trac (38" Models)
3A	3-5427	RIM, 18 x 6.50 (33" Models)
3B	3-5562	RIM, 18 x 8.50 (38" Models)
4	1-6561	BUSHING, Machine (2)
5	9-1764	RING, Retaining, External 1" (2)
6	1-1022	CAP, Hub (2)
7	1-2234	STEM, Valve
8	4-2940	KEY, Square M6 x 38mm (2)

CASTER, FRONT WHEEL & TIRE ASSEMBLY



ITEM	PART NO.	DESCRIPTION
1	5-3980	ASSEMBLY, Front Wheel & Tire (Complete) (2) (Includes Items 2, thru 5)
2	3-5618	TIRE, 11 x 4.00-5, Smooth Tread
3	2-9122	RIM, Caster Wheel
4	1-4247	FITTING, Lube
5	1-2234	VALVE, Air (Snap-in)
6	1-2709	RING, 1" External Retaining (2)
7	2-3556	BUSHING, Caster (2)
8	1-3864	FITTING, Lube, 3/8" (2)
9	2-9141	BEARING, Flanged 1 x 2 x 5/8" (2)
10	4-1783	CASTER, Pivot Yoke (2)
11	9-0839	NUT, 7/16-14 Hex Center Lock (2)
12	3-5359	TUBE, 5/8 O.D. x 14 Ga. x 4.51 (2)
13	3-5358	BEARING, Ball 5/8 x 1-3/8" (4)
14	9-1772	SCREW, 7/16-14 x 6" Hex Head Cap, Grade 5 (2)

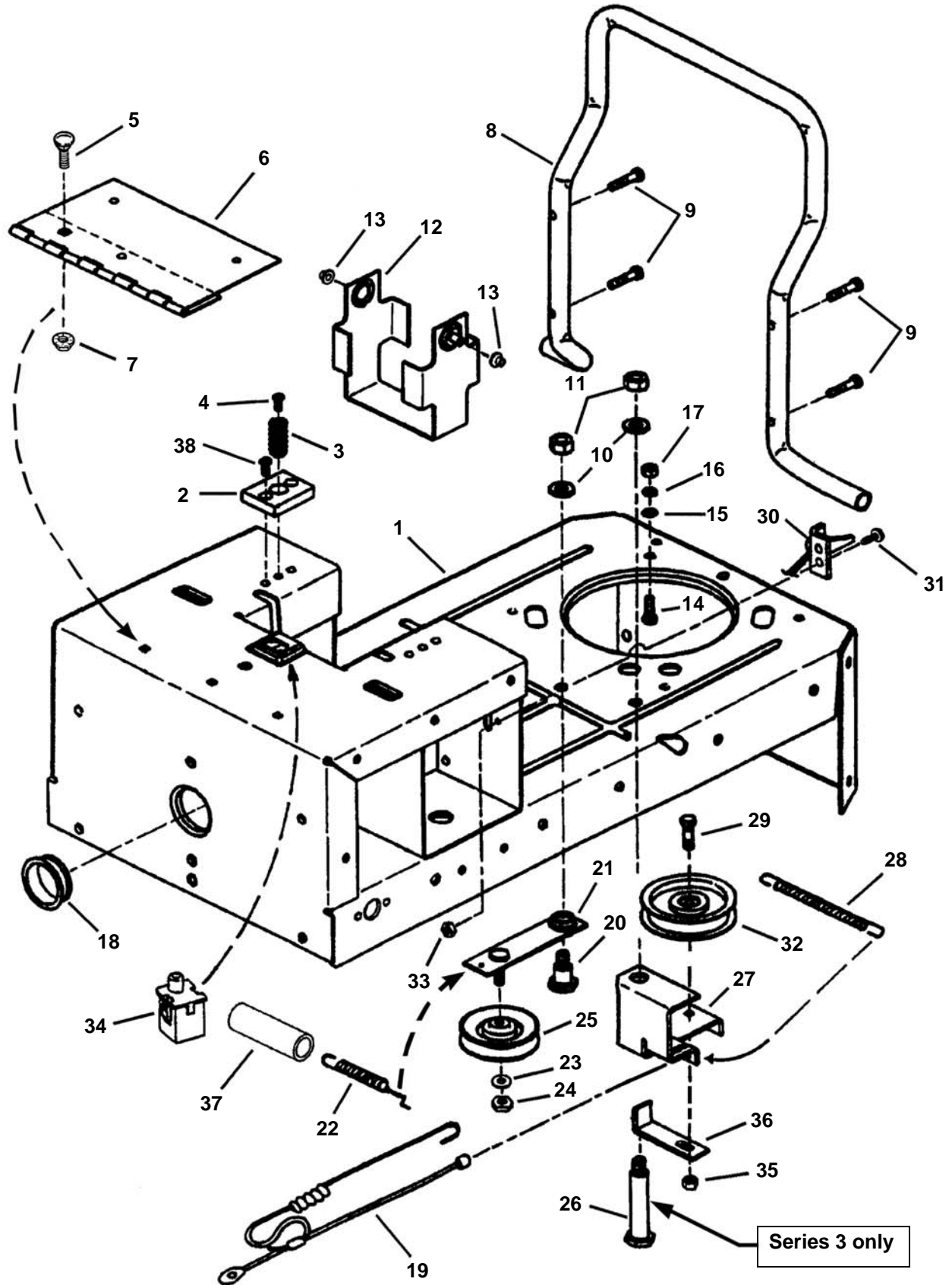
FRONT FRAME & COVER ASSEMBLY



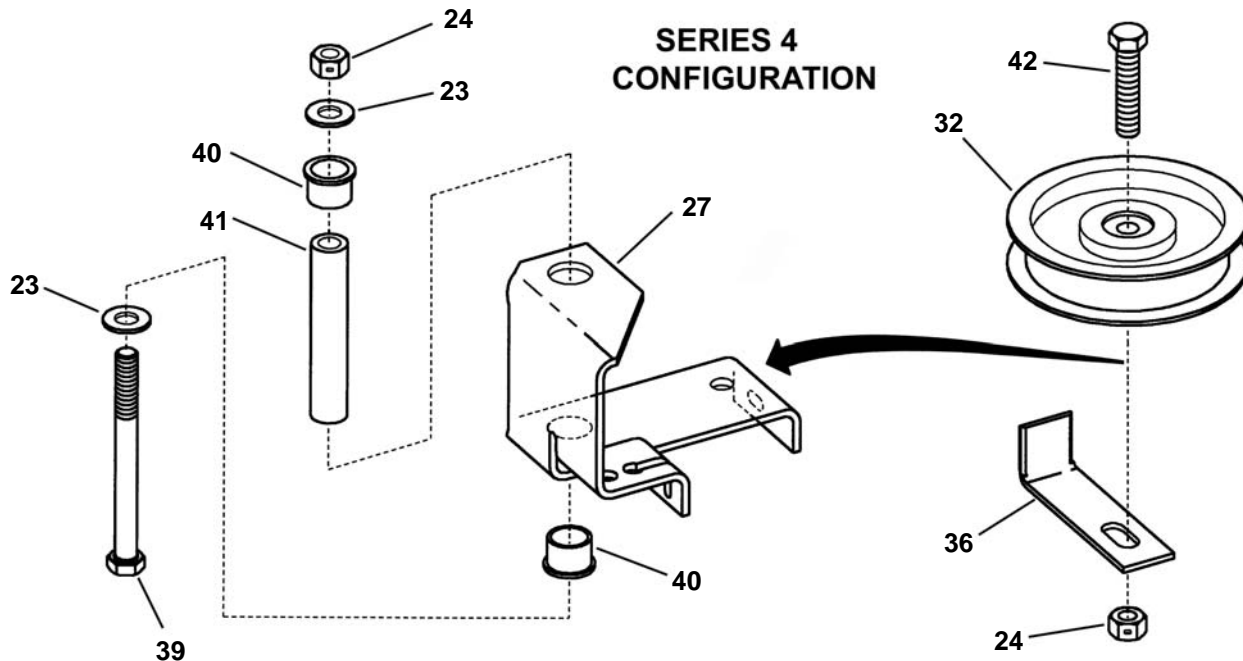
FRONT FRAME & COVER ASSEMBLY

ITEM	PART NO.	DESCRIPTION
1	5-9380	FRAME, Front
2	4-2921	BUMPER, Front
3	9-1058	BOLT, 5/16-18 x 3-3/4" (2)
4	9-1315	WASHER, 5/16" Split Lock (2)
5	9-1070	NUT, 5/16-18 Hex Flange Lock, Grade 5 (2)
6	2-8260	FASTENER, "U" Type 1/4"-20 (2)
7	9-0324	SCREW, 3/8-16 x 1" Hex Self-Tapping (2)
8	9-0517	WASHER, 3/8" Flat (2)
9	3-5375	SPACER, Front Frame Pivot (2)
10	3-5374	PLATE, Front Frame Pivot
11	4-6895	FLOOR, Front Frame
12	9-1890	WASHER, 1/4" Internal/External Lock (4)
13	2-3341	KNOB (4)
14	7-2141	FLOOR MAT (Series 2)
15	4-1818	PAD, Floor Pan (3)

REAR FRAME ASSEMBLY

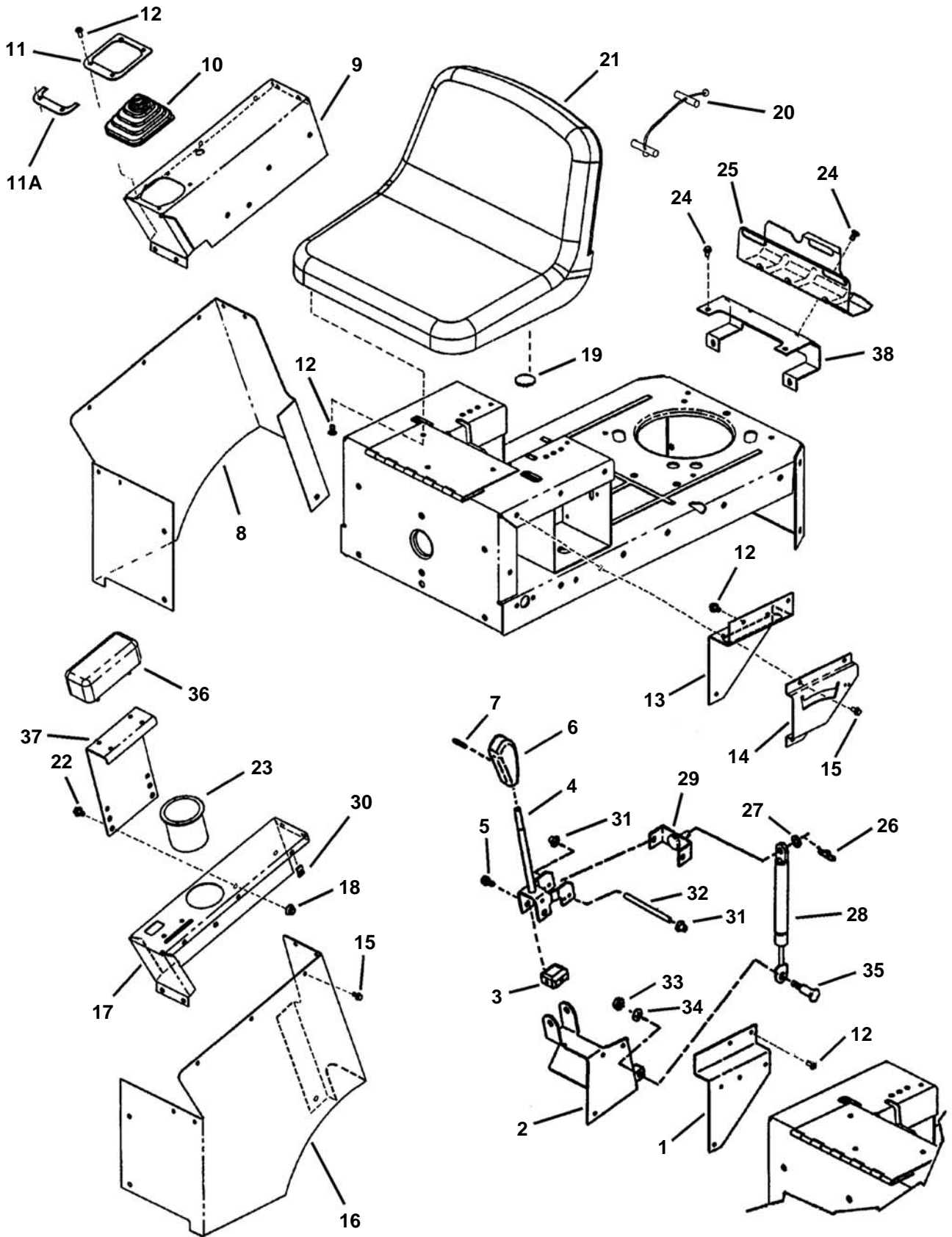


REAR FRAME ASSEMBLY



ITEM	PART NO.	DESCRIPTION	ITEM	PART NO.	DESCRIPTION
1	4-1782	FRAME, Rear	22	5-8692	SPRING, Extension
2	3-5368	CUSHION, Seat Support (2)	23	9-0122	WASHER, 3/8" Flat
3	3-5369	SPRING, Seat Support (2)	24	9-1585	NUT, 3/8-16 Hex Center Lock, Grade 5
4	9-0999	SCREW, 1/4-20 x 5/8" Pan Head, Self-Tapping (6)	25	2-4344	PULLEY, Idler 3.50
5	9-0004	BOLT, 5/16-18 x 1/2" Carriage, Grade 5 (3)	26	9-1725	BOLT, 1/2-13 x 5/8" Shoulder
6	3-4959	HINGE, Seat	27	3-4937	BRACKET, Hydraulic Idler
7	9-1070	NUT, 5/16-18 Hex Flange Lock, Grade 5 (2)	28	4-5168	SPRING, 3/4" Extension
8	3-3587	BUMPER, Rear	29	9-1553	SCREW, 3/8-16 x 1-3/4" Hex Head Cap, Grade 5
9	9-1506	SCREW, 5/16-18 x 1-1/2" Self-Taping (4)	30	3-9485	CABLE, Hydro Release Valve
10	9-1587	WASHER, 1/2" Flat (2)	31	9-1240	SCREW, #10-32 x 5/8" Hex Washer Head, Machine (2)
11	9-1316	NUT, 1/2-13 Hex, Grade B (2)	32	1-8574	IDLER, 4.12 Flat
12	4-1793	BRACKET, Battery	33	9-0376	NUT, #10-32 Hex Nyloc (2)
13	1-3321	BUSHING (2)	34	2-2886	SWITCH, Seat
14	9-0238	SCREW, 5/16-24 x 1" Hex (4)	35	9-1585	NUT, 3/8-16 Hex Center Lock
15	1-1791	RETAINER, 5/16 Bolt (4)	36	3-4938	GUIDE, Belt
16	9-1315	WASHER, 5/16 Split Lock (4)	37	5-8691	COVER, Spring
17	9-1297	NUT, 5/16-24 Hex, Grade 5 (4)	38	9-1272	FASTENER, Ratchet (4)
18	1-1033	GROMMET (2)	39	7-9832	BOLT, 3/8-16 x 4" Hex, Grade 5
19	2-9464	CABLE, Brake/Clutch	40	4-3858	BUSHING, Flange (2)
20	9-1730	BOLT, 1/2-13 x 5/8" Shoulder	41	7-5102	SLEEVE, Idler
21	5-8728	WELDMENT, Primary Idler Arm	42	9-1553	SCREW, 3/8-16 x 1-3/4" Hex Head Cap, Grade 5

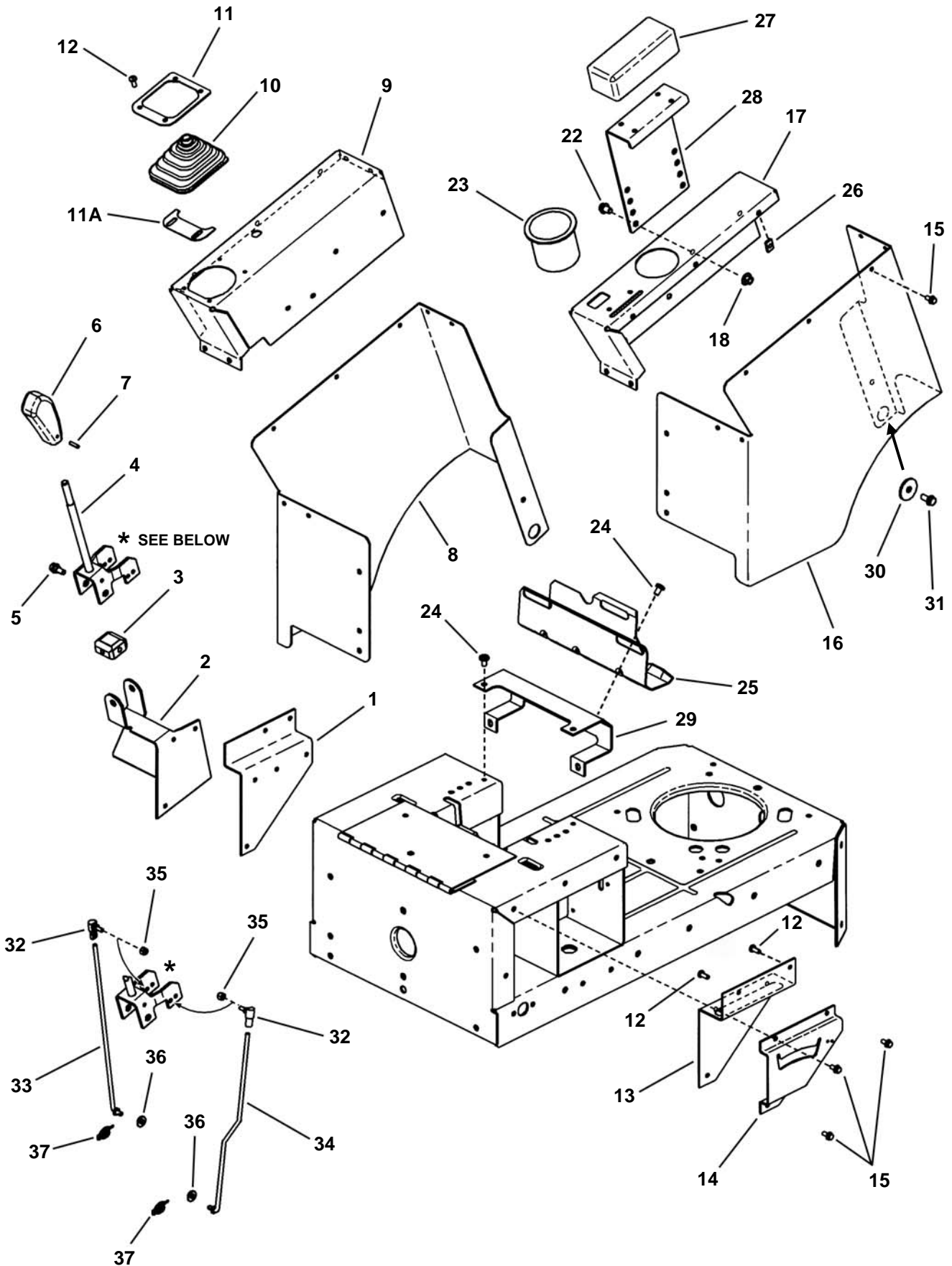
JOYSTICK & OPERATOR'S SEAT (YZ Models)



JOYSTICK & OPERATOR'S SEAT (YZ Models)

ITEM	PART NO.	DESCRIPTION
1	3-5483	BRACKET, Right Hand Tank Support
2	4-2637	BRACKET, Joystick
3	3-5533	PIVOT, Joystick Control
4	4-2636	HANDLE, Joystick Control
5	9-1800	BOLT, 5/16-18 x 3/4" Shoulder (4)
6	2-3656	LEVER, Shift Handle
7	9-0844	PIN, 3/16 x 3/4" Roll
8	4-1831	FENDER, Right Hand
9	4-1840	CONSOLE, Right Hand
10	3-5936	BOOT, Joystick, Rubber
11	4-6246	BRACKET, Joystick Stop (Series 1)
11A	4-6494	BRACKET, Joystick Stop (Series 2)
12	9-0999	SCREW, 1/4 x 5/8" Pan Head Self-Tapping (11)
13	3-5481	BRACKET, Left Hand Tank Support
14	3-5482	BRACKET, Brake/Clutch Detent
15	9-1964	BOLT, 1/4-20 x 1/2" Hex Flange Lock (16)
16	4-1884	FENDER, Left Hand
17	4-6230	CONSOLE, Left Hand
18	9-0951	NUT, 5/16-18 Hex Large Flange Center Lock
19	4-4676	BUMPER, Battery
20	4-6561	TETHER, Seat
21	4-4897	SEAT (All Models)
22	9-1525	BOLT, 5/16-18 x 1/2" Hex Flange Lock, Grade 5 (4)
23	4-2968	CUP HOLDER
24	9-1542	SCREW, 5/16-18 x 1/2" Pan Head Self-Tap (Torx) (6)
25	3-3377	BRACKET, Fuel Tank
26	9-1593	COTTER-PIN, 3/8 Self Locking
27	9-1296	WASHER, 11/32 x 11/16" Flat
28	4-4717	CYLINDER, Joystick Control
29	4-4763	BRACKET, Joystick Control
30	9-1954	U-CLIP, 1/4" (14)
31	9-1020	PUSH-NUT, 1/4" (2)
32	4-4702	PIN, Joystick
33	9-1511	NUT, 5/16-18 Hex, Grade 5
34	9-1315	WASHER, 21/64 Split Lock
35	1-4664	BOLT, 5/16-18 x 1-1/32" Shoulder
36	4-4855	ARM REST (2)
37	4-6231	BRACKET, Arm Rest (2)
38	4-6236	BRACKET, Fuel Tank Mount

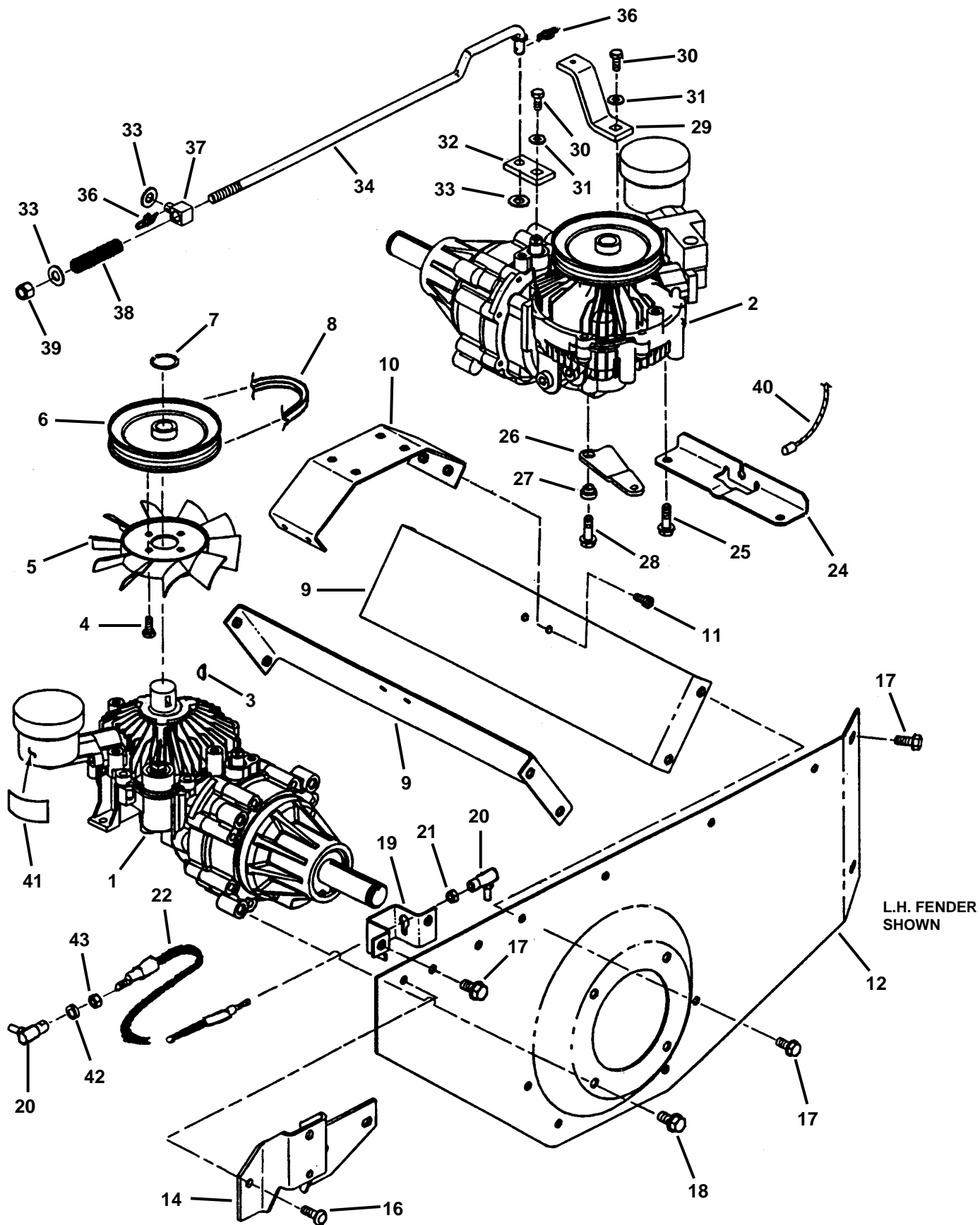
JOYSTICK & OPERATOR'S SEAT (EYZ Models)



JOYSTICK & OPERATOR'S SEAT (EYZ Models)

ITEM	PART NO.	DESCRIPTION
1	3-5483	BRACKET, Right Hand Tank Support
2	4-2637	BRACKET, Joystick
3	3-5533	PIVOT, Joystick Control
4	4-3899	WELDMENT, Joystick Handle
5	9-1800	BOLT, 5/16-18 x 3/4" Shoulder (4)
6	2-3656	LEVER, Shift Handle (Grip)
7	9-0844	PIN, 3/16 x 3/4" Roll
8	7-4900	FENDER, Right Hand
9	7-5013	CONSOLE, Right Hand
10	3-5936	BOOT, Joystick, Rubber
11	4-6246	BRACKET, Joystick Stop
11A	4-6494	BRACKET, Joystick Stop
12	9-0999	SCREW, 1/4 x 5/8" Pan Head Self-Tapping (11)
13	3-5481	BRACKET, Left Hand Tank Support
14	3-5482	BRACKET, Brake/Clutch Detent
15	9-1964	BOLT, 1/4-20 x 1/2" Hex Flange Lock (16)
16	7-4952	FENDER, Left Hand
17	4-6230	CONSOLE, Left Hand
18	9-0951	NUT, 5/16-18 Hex Large Flange Center Lock
19	4-4676	BUMPER, Battery (shown on page 8)
20	4-6561	TETHER, Seat (shown on page 8)
21	4-4897	SEAT (All Models) (shown on page 8)
22	9-1525	BOLT, 5/16-18 x 1/2" Hex Flange Lock, Grade 5 (4)
23	4-2968	CUP HOLDER
24	9-1542	SCREW, 5/16-18 x 1/2" Pan Head Self-Tap (Torx) (6)
25	3-3377	BRACKET, Fuel Tank
26	9-1954	U-CLIP, 1/4" (14)
27	4-4855	ARM REST (2)
28	4-6231	BRACKET, Arm Rest (2)
29	4-6236	BRACKET, Fuel Tank Mount
30	9-1047	WASHER, .41 x 1.5 x 11 ga.
31	9-0368	SCREW, 5/16-18 x 3/4" Hex Washer Head Self-Tap
32	1-5753	BALL JOINT, 1/4-28 (2)
33	7-4911	ROD, Control R.H.
34	7-4893	ROD, Control, L.H.
35	9-1812	NUT, 1/4-28 Hex Nyloc (2)
36	9-1294	WASHER, 1/4" Flat (2)
37	9-1594	COTTER PIN, 1/2" Self-Lock (2)

FENDER & TRANSAXLE ASSEMBLY (YZ Models)

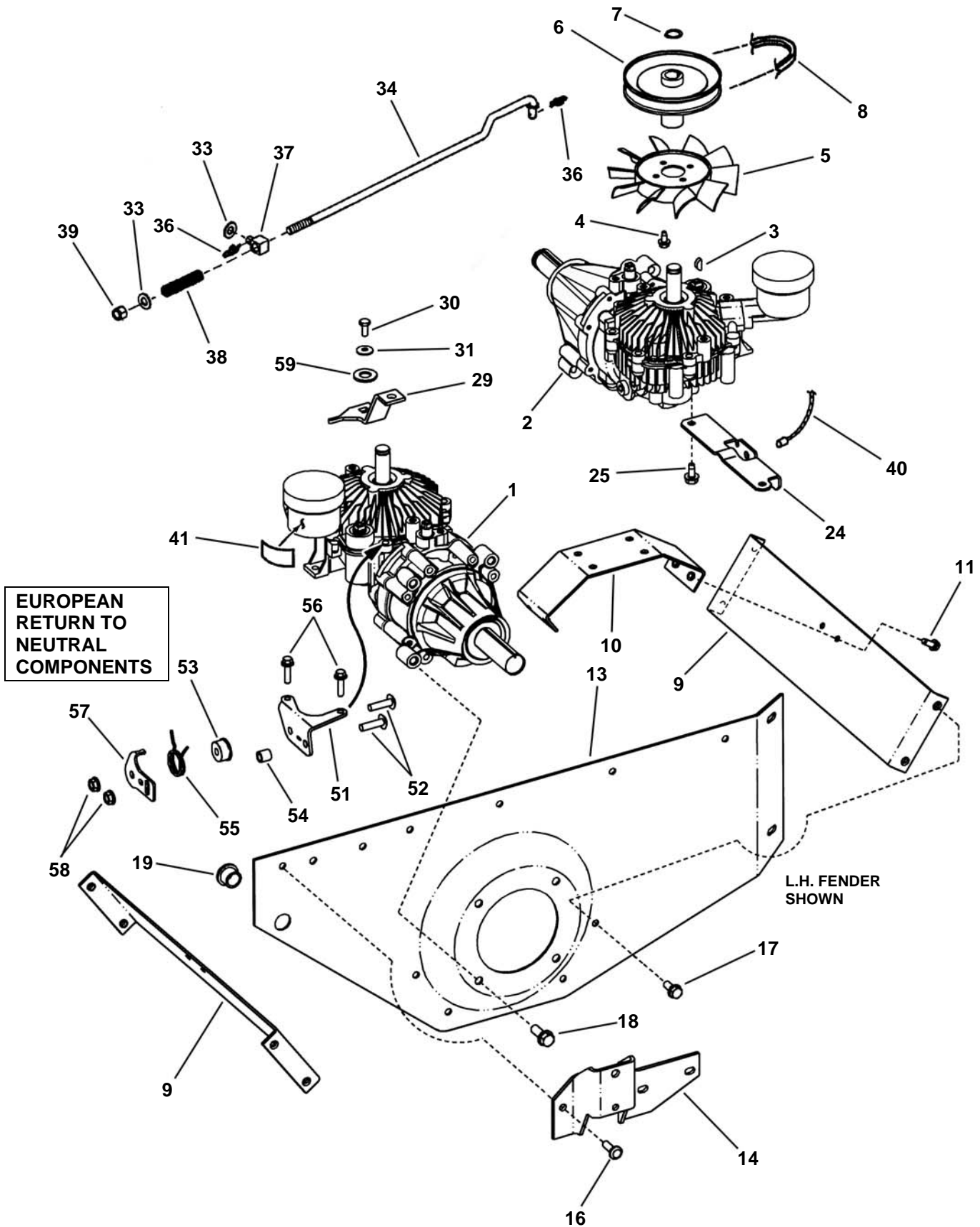


FENDER & TRANSAXLE ASSEMBLY (YZ Models)

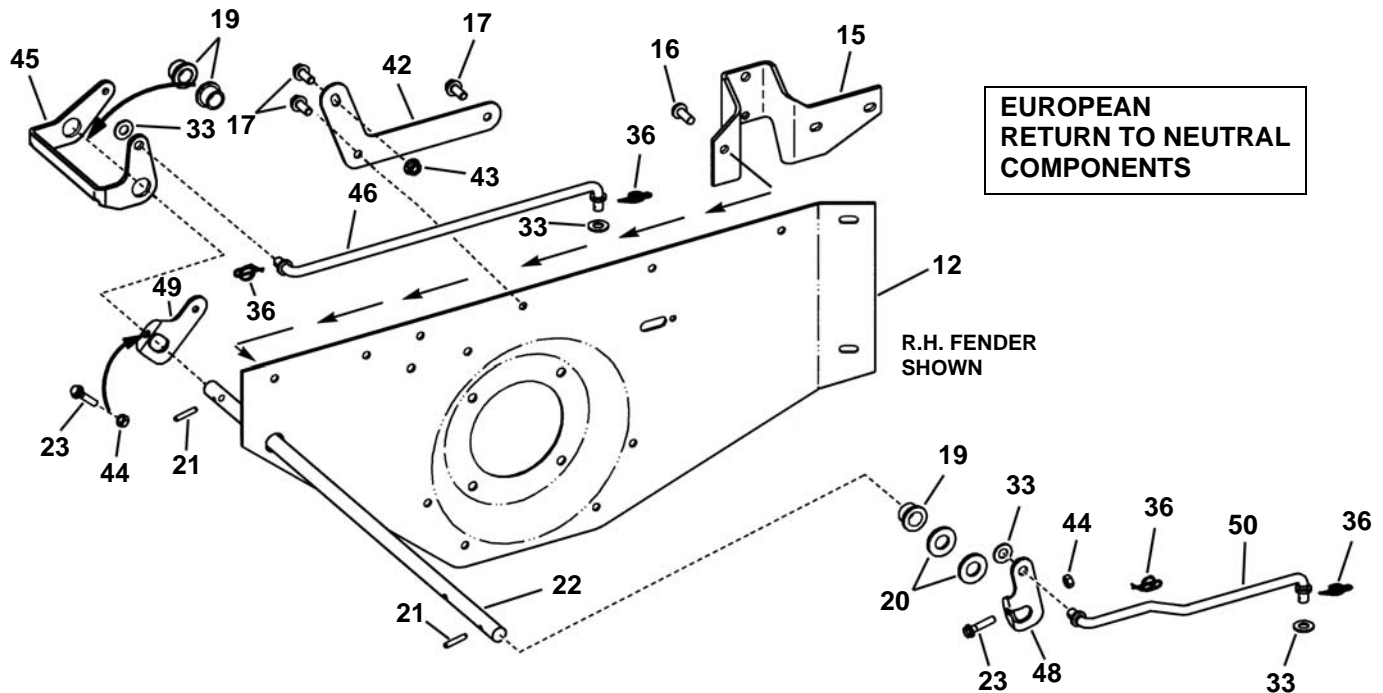
ITEM	PART NO.	DESCRIPTION
1	2-9128	TRANSAXLE, Hydro L.H. (Eaton Model X778-005)
2	2-9129	TRANSAXLE, Hydro w/o Manifold R.H. (Eaton Model X778-011)
3	1-5894	KEY, #605 Woodruff (2)
4	9-0539	SCREW, 1/4-20 x 1/2" Self-Tapping (8)
5	3-5337	FAN, 6" O.D., 10 Blade (2)
6	3-5336	PULLEY, Hydro Input (2)
7	9-1771	RING, Retaining (2)
8	4-1823	V-BELT, Hydro Drive
9	3-4915	BRACKET, Fender Support (2)
10	3-4916	BRACKET, Hydro Support
11	9-0362	SCREW, 1/4-20 Hex Washer Head, Self-Tapping (4)
12	3-4909	FENDER, L.H.
13	3-4908	FENDER, R.H. (Not Shown)
14	3-4917	BRACKET, Deck Support L.H.
15	3-5424	BRACKET, Deck Support R.H. (Not Shown)
16	9-1000	SCREW, 5/16-18 x 7/8" Pan Head, Self-Tapping (4)
17	9-0368	SCREW, 5/16-18 x 3/4" Hex Washer Head, Self-Tapping (26)
18	9-0324	SCREW, 3/8-16 x 1" Hex Washer Head, Self-Tapping (8)
19	3-4922	BRACKET, Hydro Control Cable (2)
20	2-9147	ROD END, #10-32 w/Stud (4)
21	9-1801	NUT, #10-32 Hex Center Lock (4)
22	2-9170	CABLE, L.H. Hydraulic Control
23	2-9169	CABLE, R.H. Hydraulic Control (Not Shown)
24	3-9484	BRACKET, Hydro Release Cable
25	9-0361	SCREW, 5/16-18 x 5/8" Hex Washer Head, Self-Tapping (2)
26	3-9483	BRACKET, Hydro Release Actuator (2)
27	1-2114	BUSHING, (2)
28	9-1841	SCREW, 5/16-18 x 1" Hex Washer Head, Self-Tapping (2)
29	3-4913	ARM, Brake (2)
30	9-1165	BOLT, 1/4-28 x 5/8" Hex Head, Grade 8 (4)
31	9-0746	WASHER, 1/4 Belleville (4)
32	3-4914	ARM, Brake (2)
33	9-1514	WASHER, 3/8 Flat (6)
34	2-9284	ROD, R.H. Brake
35	2-9142	ROD, L.H. Brake (Not Shown)
36	2-4874	COTTER-PIN, 1/2 Self-Locking (4)
37	2-4586	LINK, Swivel Brake (2)
38	7-4511	SPRING, Brake Compression (2)
39	9-1299	NUT, 3/8-16 Nyloc (2)
40	3-9485	CABLE, Hydro Release Valve
41	4-4767	DECAL, Hydro Reservoir (2)
42	9-0011	WASHER, #10 Internal Tooth Lock (2)
43	9-0013	NUT, #10-32 Hex (2)

NOTE: MOBIL 1 DTE 26 OIL FOR HYDRO TRANSAXLE

FENDER & TRANSAXLE ASSEMBLY (EYZ Models)

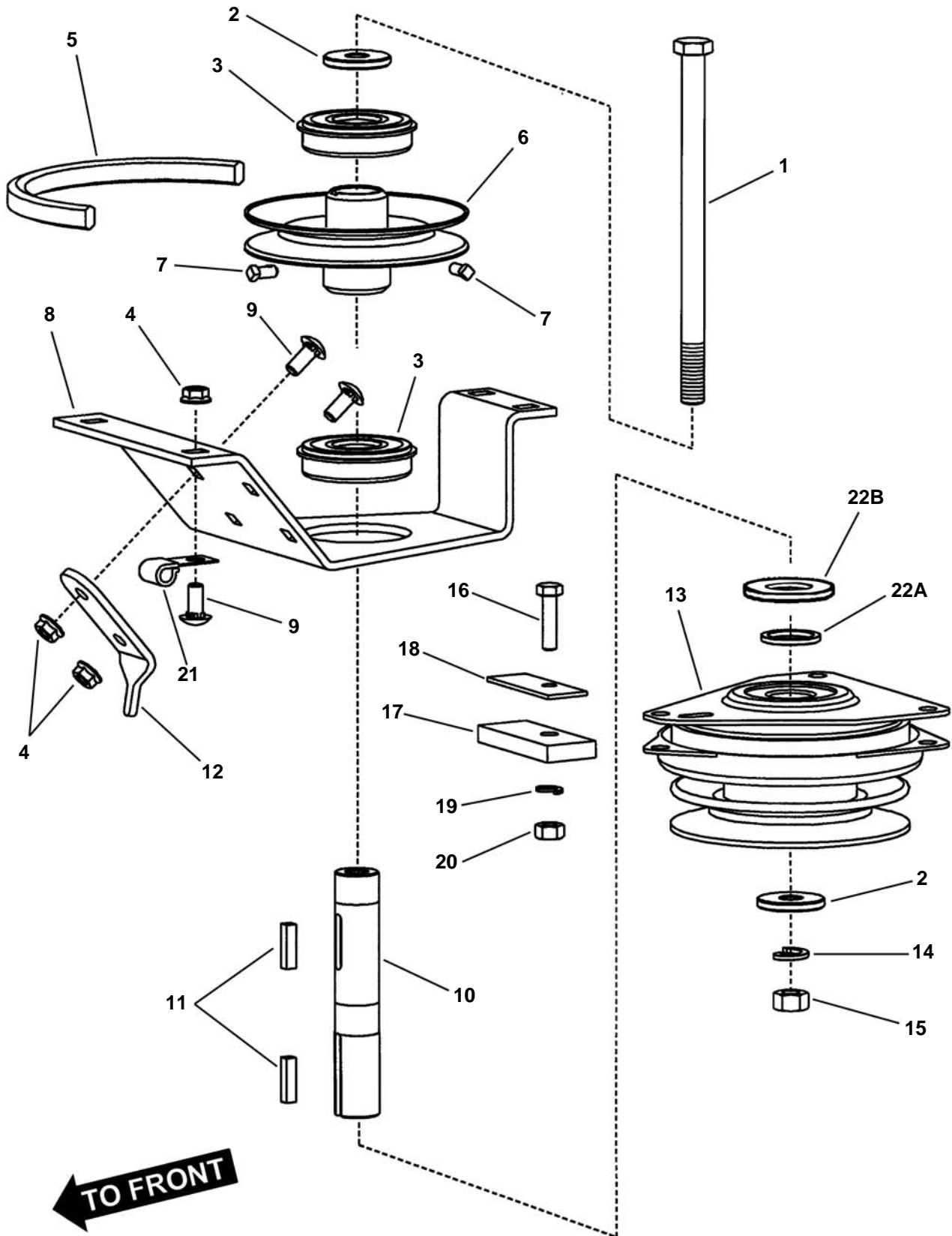


FENDER & TRANSAXLE ASSEMBLY (EYZ Models)



ITEM	PART NO.	DESCRIPTION	ITEM	PART NO.	DESCRIPTION
1	7-4904	TRANSAXLE, Hydro L.H. (similar to Eaton Model X778-005)	29	7-4739	ARM, Control (2)
2	7-4905	TRANSAXLE, Hydro R.H. (similar to Eaton X778-011)	30	9-1165	BOLT, 1/4-28 x 5/8" Hex, Gr. 8 (4)
3	1-5894	KEY, #605 Woodruff (2)	31	9-0746	WASHER, 1/4 Belleville (4)
4	9-0539	SCREW, 1/4-20x1/2" Self-Tap(8)	32	3-4914	ARM, Brake (2)
5	3-5337	FAN, 6" O.D., 10 Blade (2)	33	9-0122	WASHER, 3/8 Flat (6)
6	3-5336	PULLEY, Hydro Input (2)	34	2-9284	ROD, R.H. Brake
7	9-1771	RING, Retaining (2)	35	2-9142	ROD, L.H. Brake (Not Shown)
8	4-1823	V-BELT, Hydro Drive	36	2-4874	COTTER-PIN, 1/2 Self-Lock (4)
9	3-4915	BRACKET, Fender Support (2)	37	2-4586	LINK, Swivel Brake (2)
10	3-4916	BRACKET, Hydro Support	38	7-4511	SPRING, Brake Compression (2)
11	9-0362	SCREW, 1/4-20x5/8", Self-Tap (4)	39	9-1299	NUT, 3/8-16 Nyloc (2)
12	7-4903	FENDER, R.H.	40	3-9485	CABLE, Hydro Release Valve
13	7-4902	FENDER, L.H.	41	4-4767	DECAL, Hydro Reservoir (2)
14	3-4917	BRACKET, Deck Support L.H.	42	7-4947	BRACKET, Fender Mount
15	3-5424	BRACKET, Deck Support R.H.	43	9-1070	NUT, 5/16-18 Hex Fl. Lock (13)
16	9-1000	SCREW, 5/16-18 x 7/8" Pan Head, Self-Tapping (4)	44	9-1099	NUT, 1/4-20 Hex Center Lock (2)
17	9-0368	SCR, 5/16-18x3/4", Self-Tap (26)	45	7-4894	BRACKET, Control
18	9-0324	SCREW, 3/8-16 x 1" Hex Washer Head, Self-Tapping (8)	46	7-4896	ROD, Transfer, R.H.
19	1-3874	BUSHING (4)	47	9-1099	NUT, 1/4-20 Hex Center Lock (2)
20	2-7344	WASHER, 5/8" SAE (3)	48	7-4912	LEVER, Control, L.H.
21	1-3550	ROLL PIN, 3/16 x 1" (2)	49	7-4895	LEVER, Control, R.H.
22	7-4898	SHAFT, Control	50	7-4897	ROD, Transfer, L.H.
23	9-0872	BOLT, 1/4-20 x 1-1/8" Hex Flange Lock (2)	51	7-4732	PLATE, Return (2)
24	3-9484	BRACKET, Hydro Release Cable	52	1-4155	BOLT, 5/16-24 x 1-1/8" Round Head Rib Necked (4)
25	9-0361	SCR., 5/16-18x5/8", Self-Tap (2)	53	7-4891	SPACER (2)
26	3-9483	BRACKET, Hydro Release Actuator (2)	54	7-5216	SPACER, Adjusting (2)
27	1-2114	BUSHING, (2)	55	7-4890	SPRING, Return (2)
28	9-1841	SCR., 5/16-18x1", Self-Tap (2)	56	9-1825	SCREW, 1/4-20 x 1" Self-Tap (4)
			57	7-4892	WASHER, Adjustment (2)
			58	9-0480	NUT, 5/16-24 Hex Fl. Lock (4)
			59	9-0250	WASHER, 1/2" SAE (2)

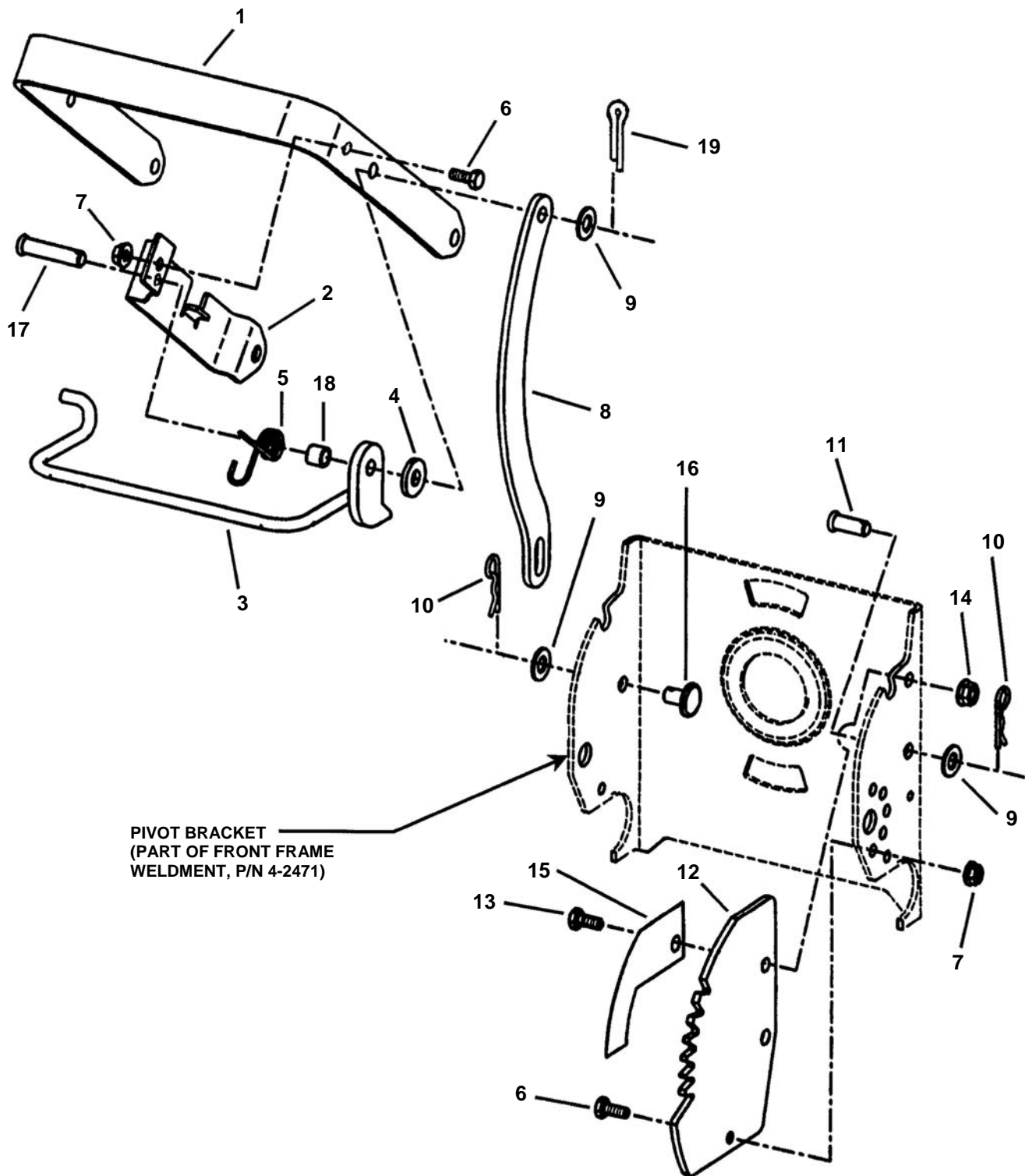
CLUTCH ASSEMBLY



CLUTCH ASSEMBLY

ITEM	PART NO.	DESCRIPTION
1	9-1735	SCREW, 7/16-20 x 8" Hex Head Cap, Grade 5
2	2-9138	WASHER, 7/16 x 1" O.D. Flat (2)
3	2-9136	BEARING, 6305 w/Snap-Ring (2)
4	9-1070	NUT, 5/16-18, Grade 5 (6)
5	2-9117	V-BELT, Drive 5L Cogged, 50.170" nominal effective length
6	2-9107	PULLEY, Jackshaft
7	9-1829	SCREW, 1/4-20 x 1/2" Set w/Patch (2)
8	6-3269	SUPPORT, Jackshaft
9	9-1508	BOLT, 5/16-18 x 3/4 Carriage, Grade 5 (6)
10	2-9135	JACKSHAFT
11	1-3250	KEY, 1/4 x 1" Square (2) (Qty. 1 on 38" units)
12	7-4573	BRACKET, Anti-Rotate (Ogura) (33" units)
13	2-9232	CLUTCH, Electric (Ogura) (33" units)
--	7-4022	CLUTCH, Electric (Warner) (38" units)
14	9-1301	WASHER, 7/16" Split Lock
15	9-0460	NUT, 7/16-20, Grade B
16	9-1527	SCREW, 5/16-18 x 1-1/4", Hex Head Cap, Grade 5
17	2-9704	BUMPER, Electric Clutch
18	3-4448	WASHER, Rectangular Steel
19	9-1315	WASHER, 5/16" Split Lock
20	9-1511	NUT, 5/16-18, Grade 5
21	1-2652	CLIP, Wire, 7/16
22A	2-9137	SPACER, 1.010 I. D. x 1.312 O. D.
22B	7-5110	SPACER, 1.010 I. D. x 1.625 O. D. (Ogura)

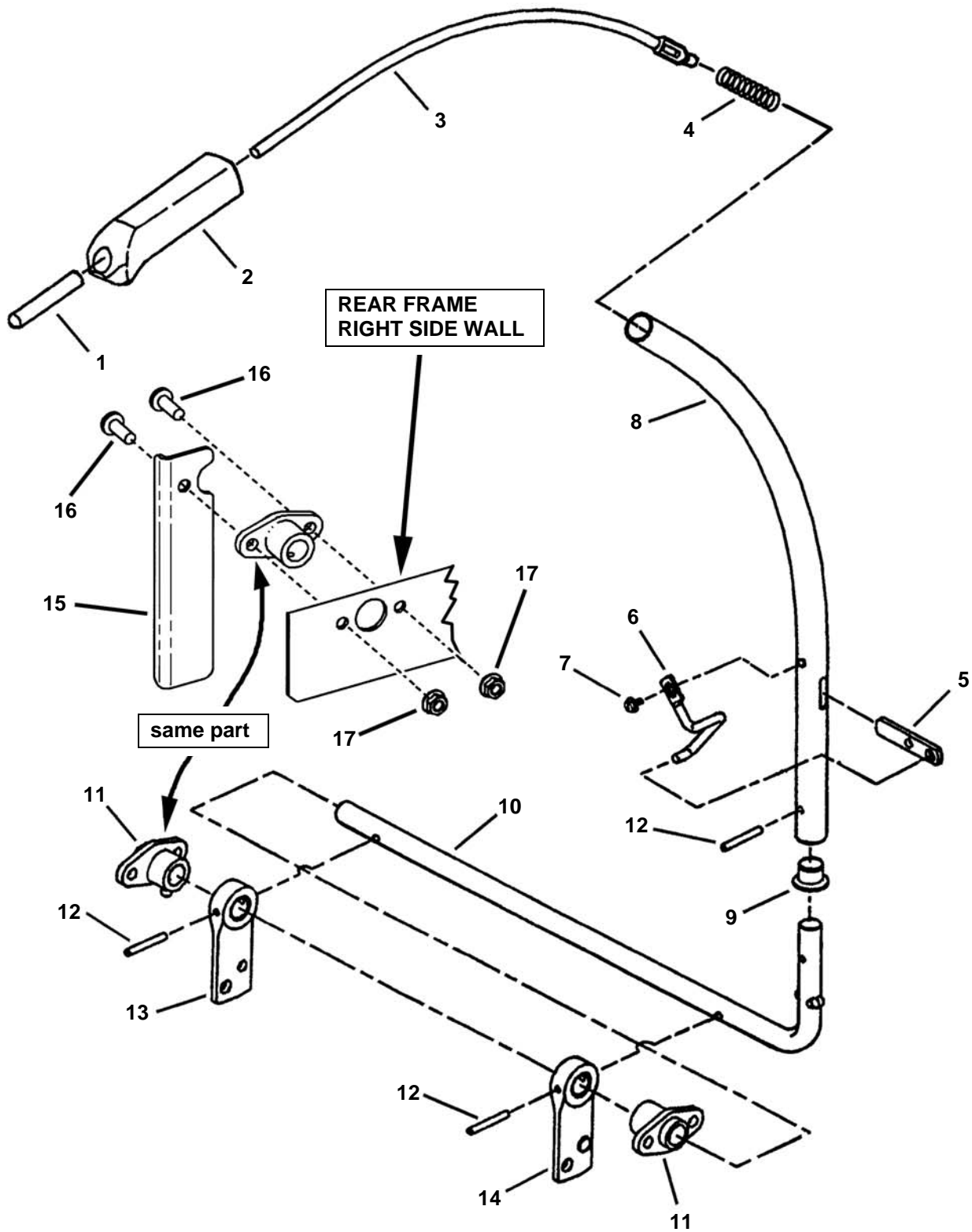
DECK LIFT HANDLE ASSEMBLY



DECK LIFT HANDLE ASSEMBLY

ITEM	PART NO.	DESCRIPTION
1	4-1924	HANDLE, Deck Lift
2	4-1925	BRACKET, Pivot Support
3	5-8090	LEVER, Deck Lift/Handle Release (Series 2)
4	2-9040	WASHER, Slipper
5	4-6489	SPRING, Torsion (Deck Position)
6	9-0072	SCREW, 1/4-20 x 5/8" Hex head Cap, Gr. 5 (2)
7	9-0583	NUT, 1/4-20 Hex Flange Lock (3)
8	3-5489	BAR, Deck Lift
9	9-1514	WASHER, 3/8" Flat (3)
10	9-1503	HAIRPIN, 3/32 x 1-1/2" (2)
11	4-6392	PIN, 3/8 x 7/8" Large Head Clevis
12	5-8077	PLATE, Detent (Series 2)
13	9-1318	SCREW, 5/16-18 x 3/4" Hex Cap, Gr.5
14	9-1070	NUT, 5/16-18 Hex Flange Lock, Gr.5
15	4-6457	DECAL, Deck Position
16	9-1887	PIN, 3/8 x 1/2" Expanded Head Clevis
17	4-6491	PIN, 3/8 x 1-5/8" Clevis
18	4-6490	SPACER
19	9-1597	PIN, 3/32" x 3/4" Cotter

BRAKE/CLUTCH LEVER ASSEMBLY



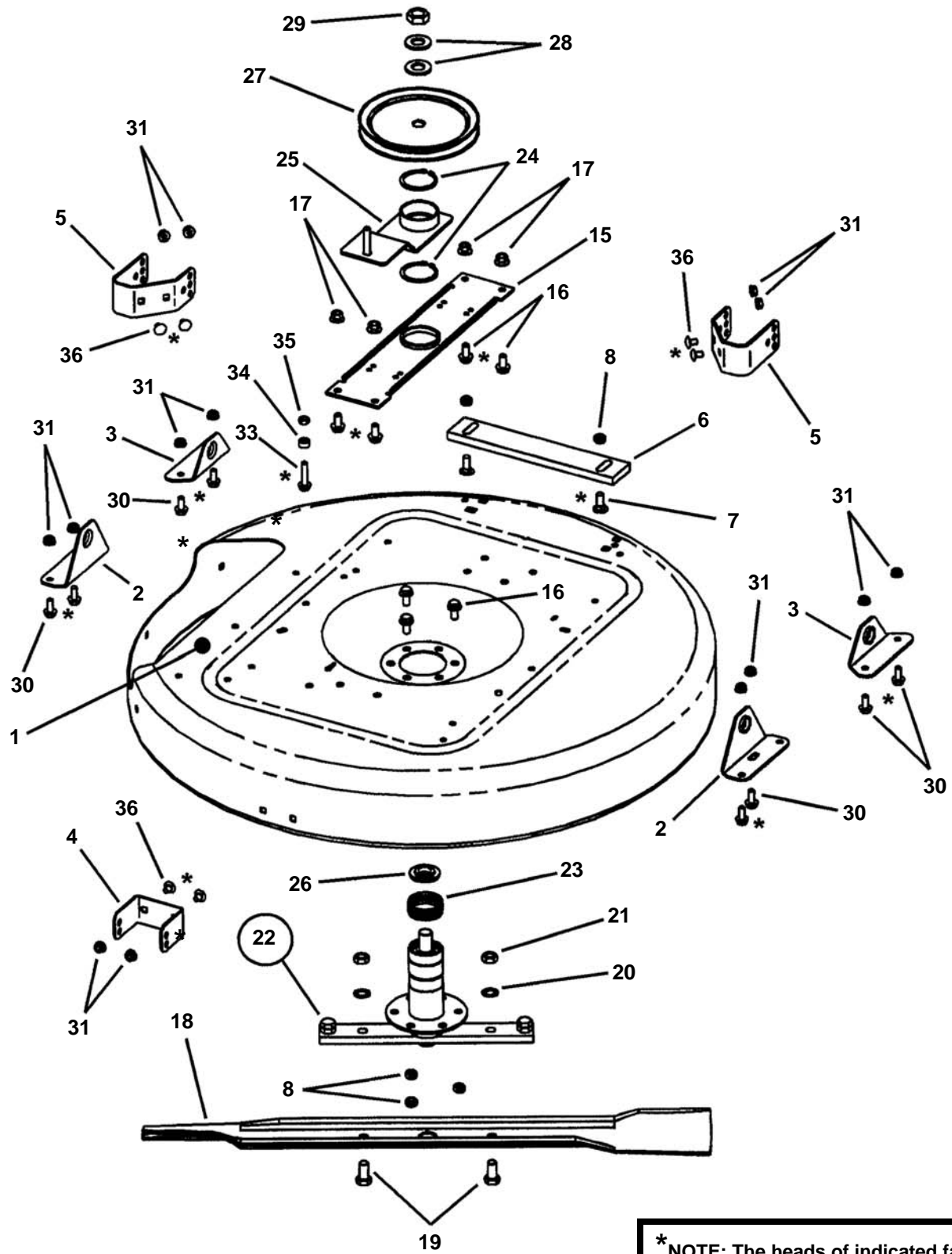
BRAKE/CLUTCH LEVER ASSEMBLY

ITEM	PART NO.	DESCRIPTION
1	2-9383	GRIP, 5/16 x 2-1/2" Vinyl
2	3-5945	GRIP, Brake/Clutch Handle
3	3-5479	ROD, Park Brake (16.30" Arc Radius)
--	5-8542	ROD, Park Brake (10" Arc Radius)
4	3-5946	SPRING, Brake/Clutch Release
5	3-5485	ARM, Brake/Clutch Lever
6	3-5484	PIVOT, Brake/Clutch Lever
7	9-1293	SCREW, 1/4-20 x 3/8" Hex Self-Tapping
8	5-8541	TUBE, Brake/Clutch Lever
9	1-0694	BUSHING, Nylon
10	2-9207	ROD, Brake/Clutch
11	5-2431*	PIVOT, Foot Shaft Assembly (2)
12	9-0841	ROLL-PIN, 3/16 x 1-1/2" (3)
13	2-9208	ARM, Brake/Clutch
14	4-2614	ARM, Brake/Clutch
15	7-4948	STOP, Deck
16	9-1000	SCREW, 5/16-18 x 7/8" Pan Head Self-Tap (Torx) (4)
17	9-1070	NUT, 5/16-18 Hex Flange Lock (4)

***NOTE: Includes Grease Fitting, Part No. 1-3864**

33" MOWER DECK ASSEMBLY

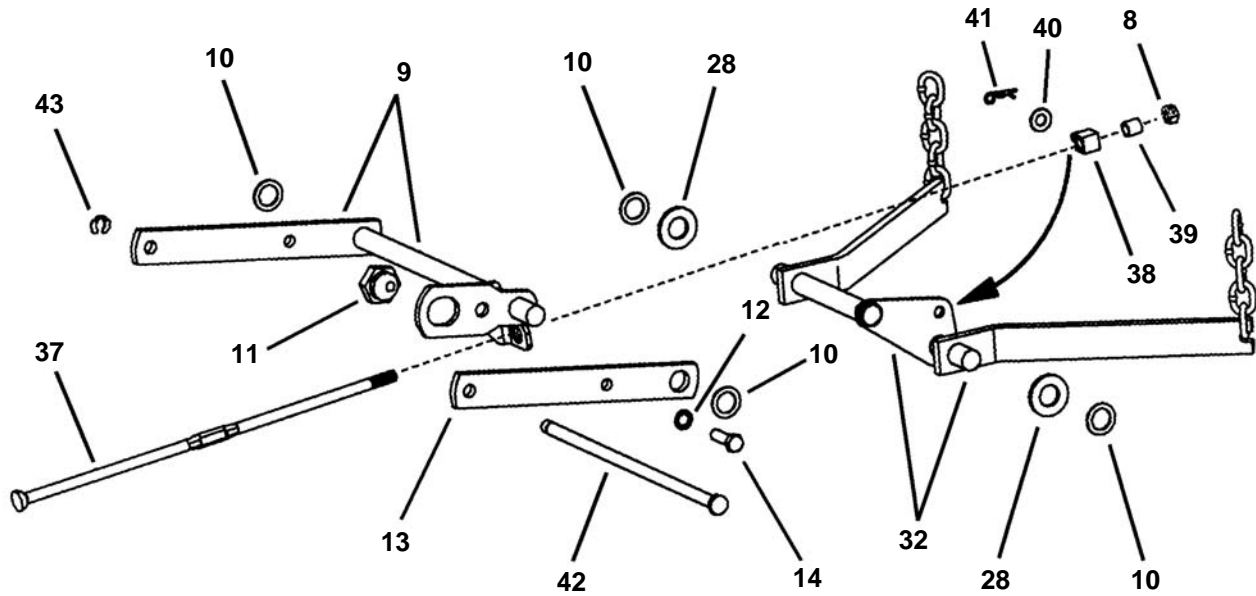
(page 1 of 4)



***NOTE:** The heads of indicated fasteners are located underneath the deck.

33" MOWER DECK ASSEMBLY

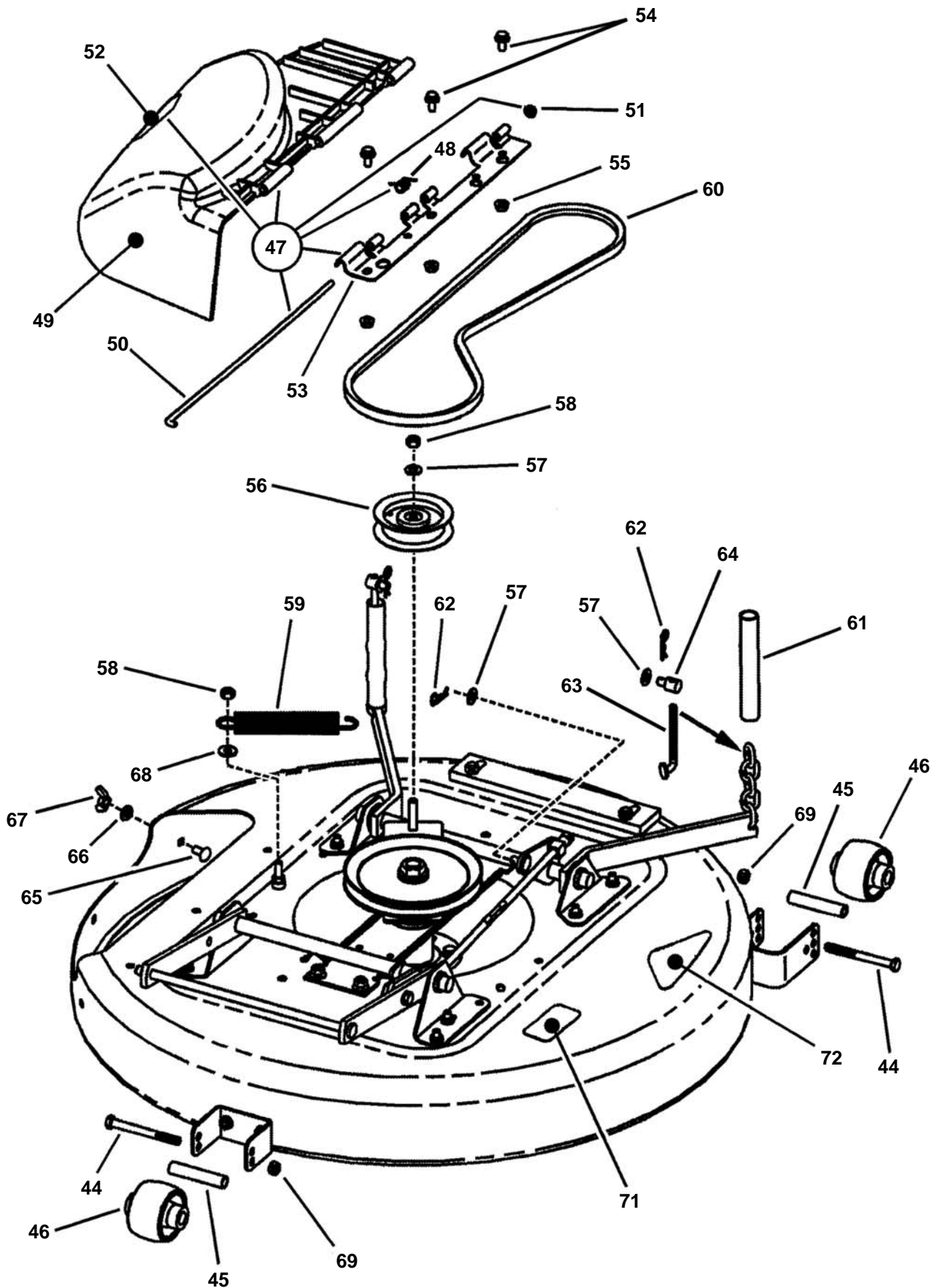
(page 2 of 4)



ITEM	PART NO.	DESCRIPTION	ITEM	PART NO.	DESCRIPTION
1	6-1956*	DECK, 33" Replacement	21	9-0559	NUT, 1/2-20 Hex Jam (2)
2	3-4866	BRACKET, Deck Lift Slotted (2)	22	5-2917	ASSEMBLY, Spindle
3	3-4867	BRACKET, Deck Lift (2)	23	1-2670	RING, 2" Tolerance
4	3-3570	BRACKET, Anti-Scalp Adj. Front	24	1-0740	RING, 2" Retaining (2)
5	3-3571	BRKT., Anti-Scalp Adj. Side (2)	25	4-2587	ARM, Idler (weldment)
6	3-6579	BAR, Weight Rear	26	1-4407	WASHER, Spindle
7	9-0747	BOLT, 3/8-16 x 1" Carriage (2)	27	2-6558	PULLEY, Spindle
8	9-0546	NUT, 3/8-16 Hex Center Lock (6)	28	3-2028	WASHER, 25/32" Flat (4)
9	4-2586	ARM, Front Lift (weldment)	29	7-4467	NUT, 3/4-16 Hex Jam, Grade 8
10	1-0935	WASHER, 3/4" (4)	30	9-0595	BOLT, 5/16-18 x 3/4" Hex Flange Lock (8)
11	1-5447	ECCENTRIC, Leveling (3/8-24 thread)	31	9-0585	NUT, 5/16-18 Hex Fl. Lock (14)
12	9-0390	WASHER, 3/8" Internal Tooth Lk.	32	4-2585	ARM, Rear Lift (weldment)
13	3-4815	ARM, Front Lift	33	9-0700	BOLT, 5/16-18 x 1-1/2" Hex Flange Lock, Grade 5
14	9-0163	SCREW, 3/8-24 x 1-1/4" Hex Head Cap	34	2-8620	SPACER, 11/32"
15	3-8018	BRACE, Spindle	35	9-1067	NUT, 5/16-18 Hex Lock
16	9-1588	BOLT, 3/8-16 x 3/4" Hex Flange Lock, Grade 5 (7)	36	9-0004	BOLT, 5/16-18 x 1/2" Short Neck Carriage (6)
17	9-0613	NUT, 3/8-16 Hex Flange Lock (4)	37	3-5495	ROD, Cutting Deck Timing
18	3-4168	BLADE, 33" High Lift	38	2-4586	SWIVEL, Brake Link PM
--	1-9523	BLADE (Model EYZ15334BVE)	39	2-1815	SPACER, 25/64"
19	9-0392	SCREW, 1/2-20 x 1" Hex Head Cap, Grade 5 (2)	40	9-0122	WASHER, 3/8"
20	9-0509	WASHER, 1/2" Internal Tooth Lock (2)	41	1-6231	HAIRPIN, #13
			42	2-2717	ROD, Deck Support
			43	1-7847	RING, 7/16" Snap

***NOTE: 6-1956 is a painted deck with decals 2-2991, 2-6831 and 4-6720.**

33" MOWER DECK ASSEMBLY (page 3 of 4)

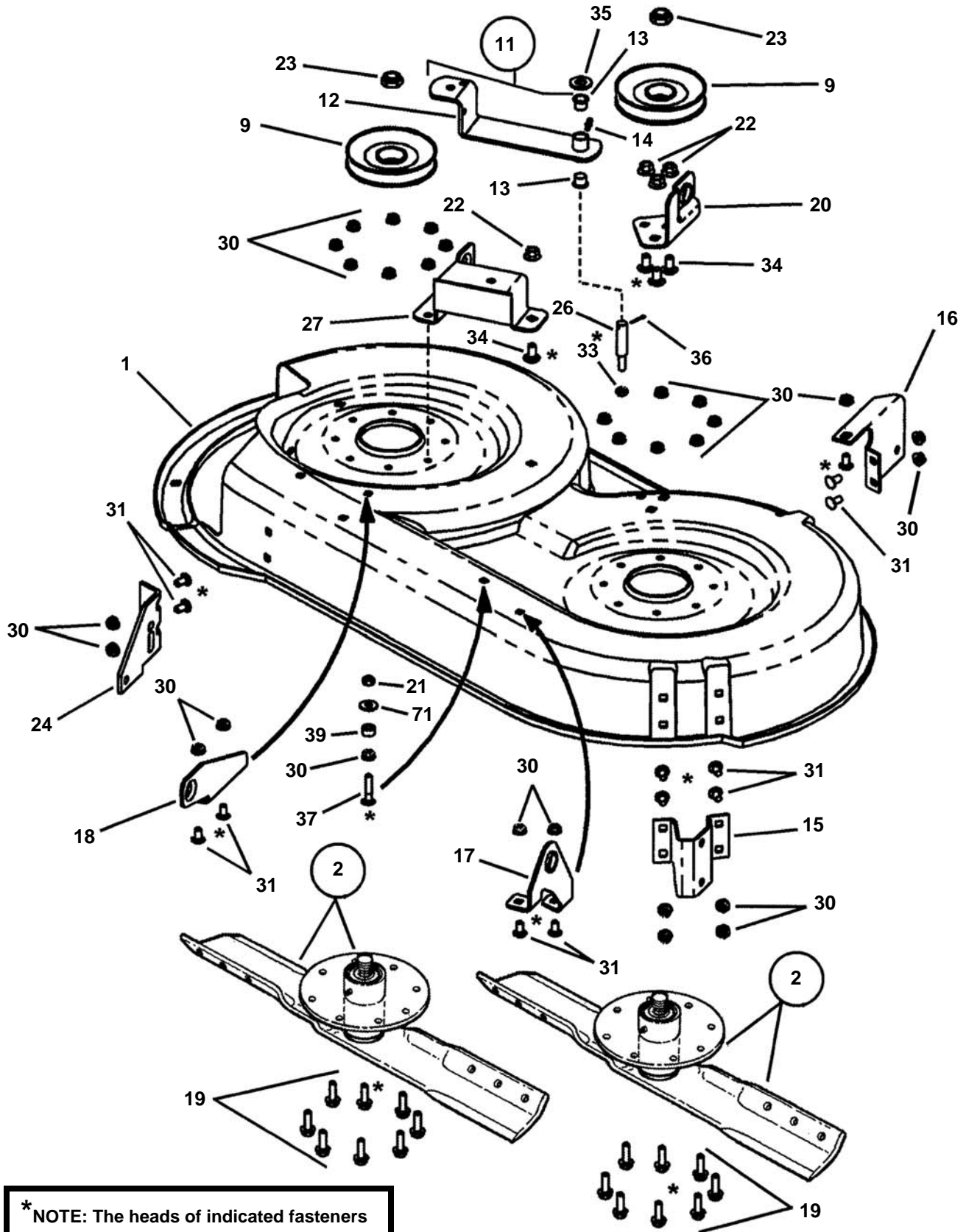


33" MOWER DECK ASSEMBLY

(page 4 of 4)

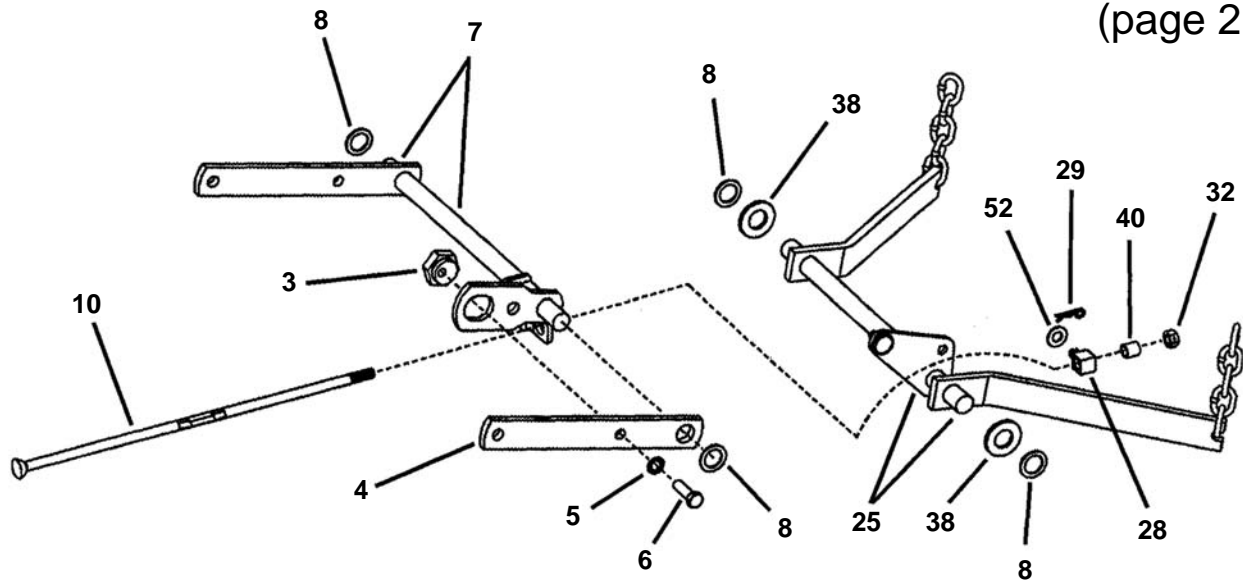
ITEM	PART NO.	DESCRIPTION
44	9-1532	SCREW, 3/8-24 X 3/4" Hex Head Cap, Grade 5 (3)
45	1-5272	SPACER, 3" Long (3)
46	1-9190	WHEEL, Gage (3)
47	5-2555	ASSEMBLY, 28" & 33" Discharge Chute (includes 48 thru 53)
48	1-6341	SPRING, Hinge
49	2-6233	CHUTE, Discharge
50	2-6234	ROD, Chute
51	2-6483	WASHER, Palnut (for 1/4" rod)
52	2-6831	DECAL, CPSC
53	3-3780	HINGE, Plastic Side Chute
54	9-1811	BOLT, 5/16-18 x 5/8" Hex Flange Lock, Grade 5 (3)
55	9-1601	NUT, 5/16-18 Hex Flange Lock, Grade 5 (3)
56	2-7717	IDLER, 4" Outside Diameter Flat
57	9-1514	WASHER, 11/32" Flat (4)
58	9-1585	NUT, 3/8-16 Hex Center Lock
59	3-5969	SPRING, External
60	3-5389	V-BELT, HA Section, 55.2" Effective Length
61	2-8021	COVER, Chain (2)
62	9-1503	HAIRPIN, 3/32 x 1-1/2" (3)
63	2-8728	ADJUSTER, Chain (2)
64	2-8200	SWIVEL, Adjustable (2)
65	9-1508	BOLT, 5/16-18 x 3/4" Short Neck Carriage, Grade 5
66	9-1296	WASHER, 11/32" Flat
67	9-0492	NUT, 5/16-18 Wing
68	9-1528	WASHER, 3/8" Flat
69	9-1600	NUT, 3/8-24 Hex Center Lock (3)
70	1-4852	DECAL, Caution
71	1-6973	DECAL, Caution
72	2-2991	DECAL, Hi-Vac

38" MOWER DECK ASSEMBLY (page 1 of 4)



38" MOWER DECK ASSEMBLY

(page 2 of 4)

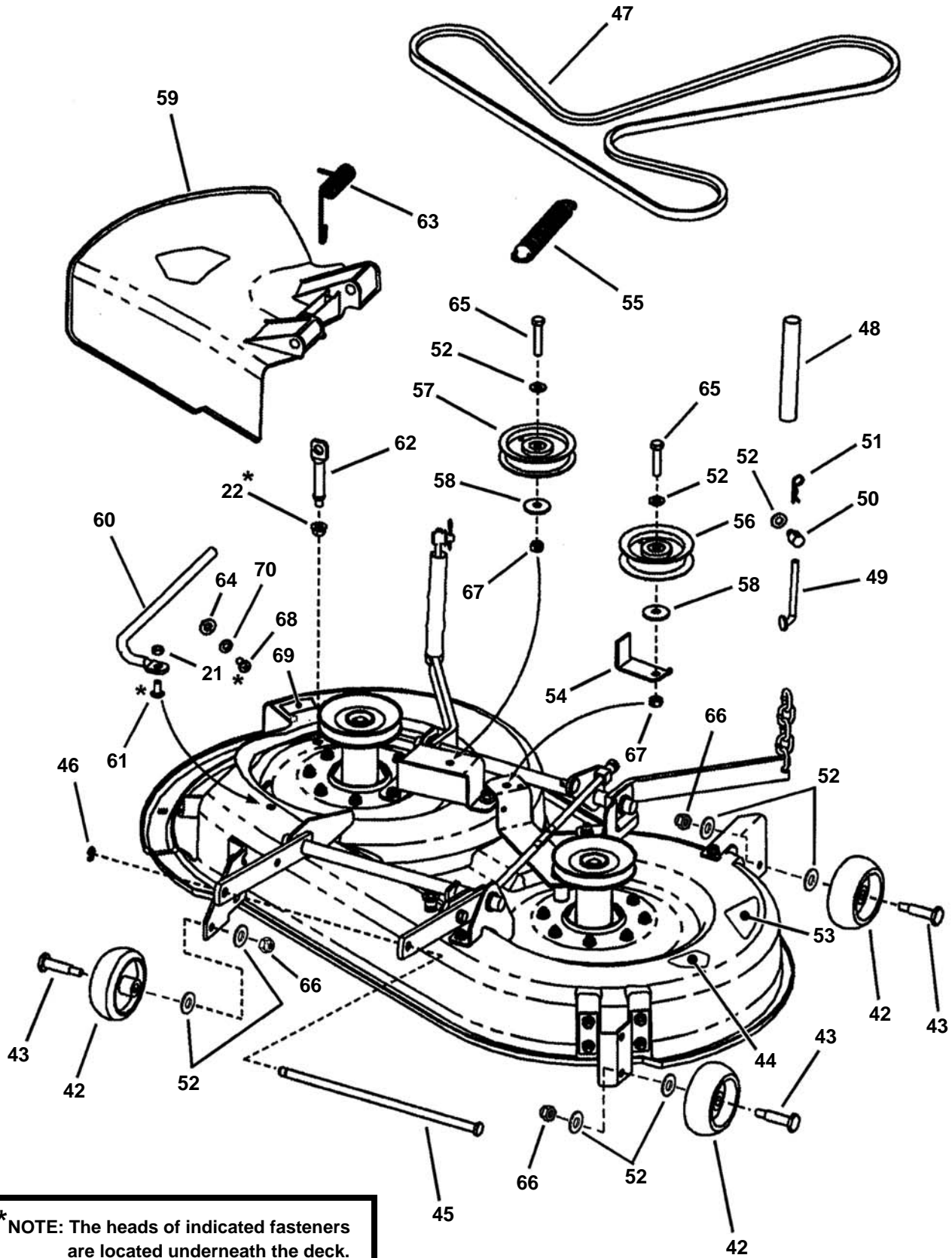


ITEM	PART NO.	DESCRIPTION	ITEM	PART NO.	DESCRIPTION
1	6-1957*	DECK, 38" Replacement	22	9-0613	NUT, 3/8-16 Hex Flange Lock (3)
2	5-4513	ASSEMBLY, Spindle (see page 23 for breakdown) (2)	23	9-1006	NUT, 5/8-18 Hex Nyloc (2)
3	1-5447	ECCENTRIC, Leveling (3/8-24 thread)	24	3-5494	BRACKET, Gage Wheel
4	3-4815	LIFT ARM, Front	25	4-2585	TIMING ARM, Rear (weldment)
5	9-0390	WASHER, 3/8" Internal Tooth Lk.	26	4-2964	STUD, Idler (5/16-24 thread)
6	9-0163	SCREW, 3/8-24 x 1-1/4" Hex Head Cap, Grade 5	27	4-4648	BRACKET, Stationary Idler
7	4-2586	LIFT ARM, Front (weldment)	28	2-4586	SWIVEL, Brake Link
8	1-0935	WASHER, 3/4" x 1-1/8" Flat (4)	29	1-6231	HAIR PIN, #13
9	2-9213	PULLEY, 4-1/2" O. D., A/B Groove (2)	30	9-0585	NUT, 5/16-18 Hex Flange Lock, Grade 5 (19)
10	3-5495	ROD, Cutter Deck Timing(3/8-16)	31	9-1026	BOLT, 5/16-18 x 5/8" Short Neck Carriage, Grade 5 (13)
11	5-8440	ASS'Y, Idler Arm (incl. 12-14)	32	9-0546	NUT, 3/8-16 Hex Center Lock, Grade 5
12	5-8439	WELDMENT, Idler Arm	33	1-1201	NUT, 5/16-24 Hex Center Lock
13	1-1016	BUSHING, 1/2" Nylon (2)	34	9-1547	BOLT, 3/8-16 x 3/4" Short Neck Carriage, Grade 5 (3)
14	1-3864	LUBE FITTING, 3/16" Press Fit	35	9-1587	WASHER, 1/2" x 1-1/16" Flat (3)
15	3-3756	BRACKET, Gage Wheel	36	9-1082	COTTER-PIN, 3/32 x 3/4"
16	3-3891	BRACKET, Left Hand Wheel	37	9-0958	BOLT, 5/16-18 x 1-1/2" Short Neck Carriage, Grade 5
17	3-4861	BRK'T, 38" Deck Lift, LH Front	38	3-2028	WASHER, 3/4" x 1-1/2" Flat (2)
18	3-4863	BRK'T, 38" Deck Lift, RH Front	39	2-8620	SPACER, .340 I. D. x .630 O. D. x .310 Thick
19	9-0636	SCREW, 5/16-18 x 1" Hex Head Cap, Grade 5 (6)	40	2-1815	SPACER, .391 I. D. x .520 O. D. x .531 Thick
20	3-5566	BRK'T, Left Hand Rear Lift Arm			
21	9-1575	NUT, 5/16-18 Hex Center Lock Grade 5 (2)			

***NOTE: 6-1957 is a painted deck with decals 2-6154, 2-6831 and 4-6720.**

38" MOWER DECK ASSEMBLY

(page 3 of 4)



***NOTE: The heads of indicated fasteners are located underneath the deck.**

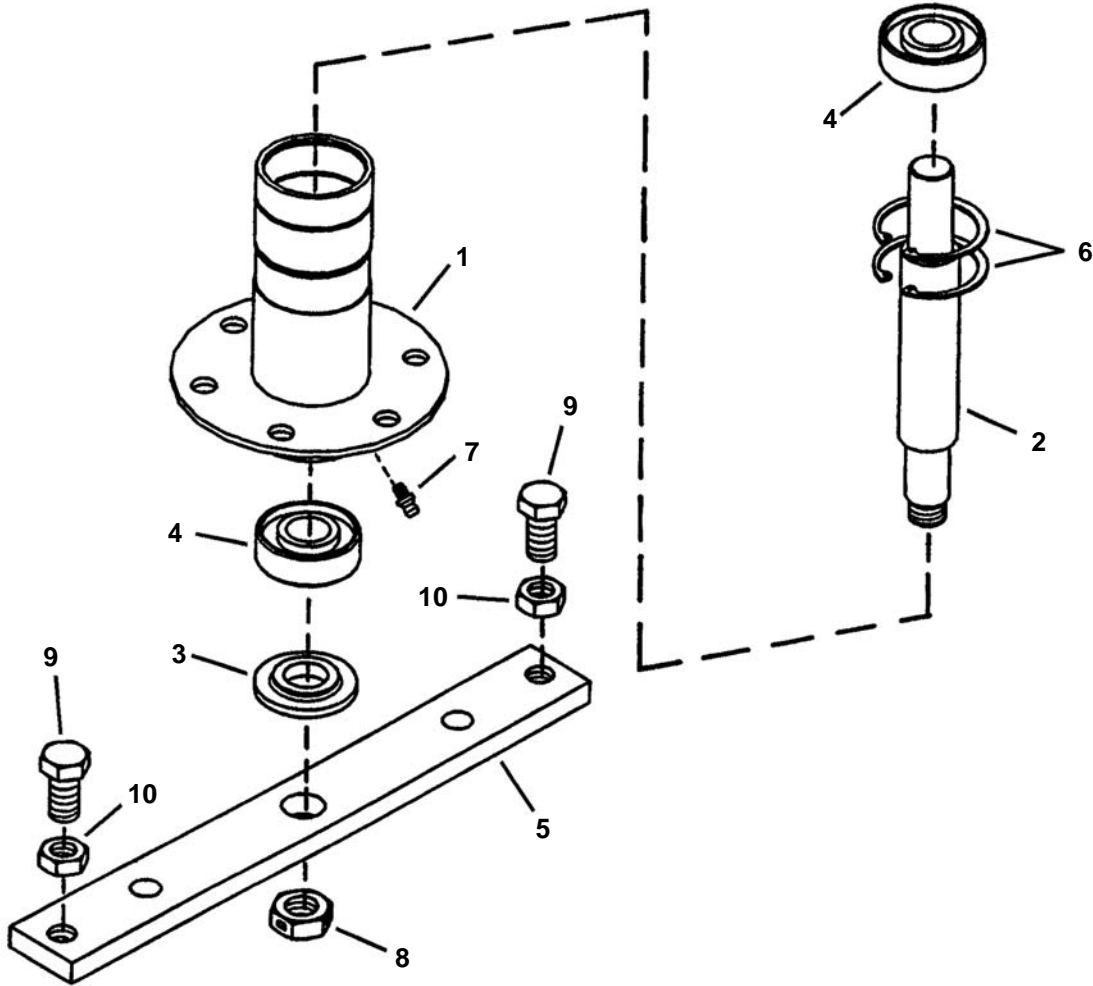
NOTE: Item 54 mounts beneath Item 12.

38" MOWER DECK ASSEMBLY

(page 4 of 4)

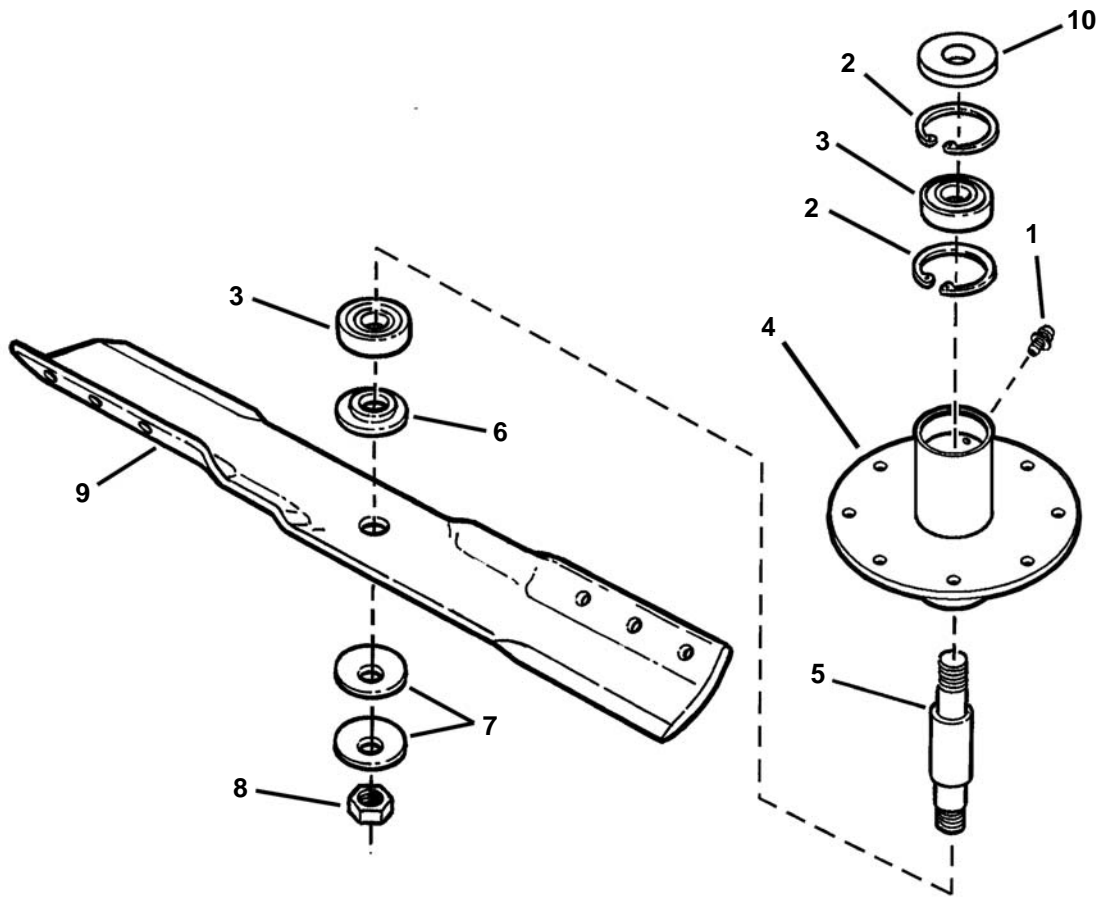
ITEM	PART NO.	DESCRIPTION
42	2-6122	WHEEL, 4 x 1-1/2" Offset (3)
43	9-1526	SHOULDER BOLT, 3/8-24 (3)
44	2-6831	DECAL, CPSC- Heavy Adhesive
45	2-2717	ROD, Deck Support
46	1-7847	RING, .438 External Retaining
47	2-9308	V-BELT, HA Section 89.8" Effective Length
48	2-8021	COVER, Chain (2)
49	2-8728	ADJUSTER, Chain (2)
50	2-8200	SWIVEL, Adjustable (2)
51	9-1503	HAIR PIN, 3/32 x 1-1/2" (3)
52	9-1514	WASHER, 3/8" I. D. x 13/16" O. D. Flat (13)
53	2-6154	DECAL, 38" Deck
54	3-6561	BELT GUIDE, 38/42" Decks
55	3-5969	SPRING, Extension
56	2-4452	IDLER, 4" O. D. Flat
57	7-2319	IDLER, 4-1/8" O. D. Flat
58	1-2063	WASHER, Cone (2)
59	2-9425	CHUTE, Discharge
60	3-5502	ROD, Pivot, Side Discharge
61	9-1508	BOLT, 5/16-18 x 3/4" Short Neck Carriage, Grade 5
62	3-5503	ROD, Mounting, Side Discharge
63	3-5813	SPRING, Torsion- Side Discharge
64	3-6543	TEENUT, 5/16-18 Thread
65	9-1560	SCREW, 3/8-16 x 2-1/4" Hex Head Cap, Grade 5
66	9-0289	NUT, 3/8-24 Hex Center Lock, Grade 5 (3)
67	9-1585	NUT, 3/8-16 Hex Center Lock, Grade 5 (2)
68	9-1833	SCREW, 5/16-18 x 5/8" Pan Head
69	4-6720	DECAL, Chute/Deflector Warning
70	9-1296	WASHER, 5/16" I. D. x 11/16" O. D.
71	9-1528	WASHER, 3/8" I. D. x 7/8" O. D. Flat

33" SPINDLE ASSEMBLY



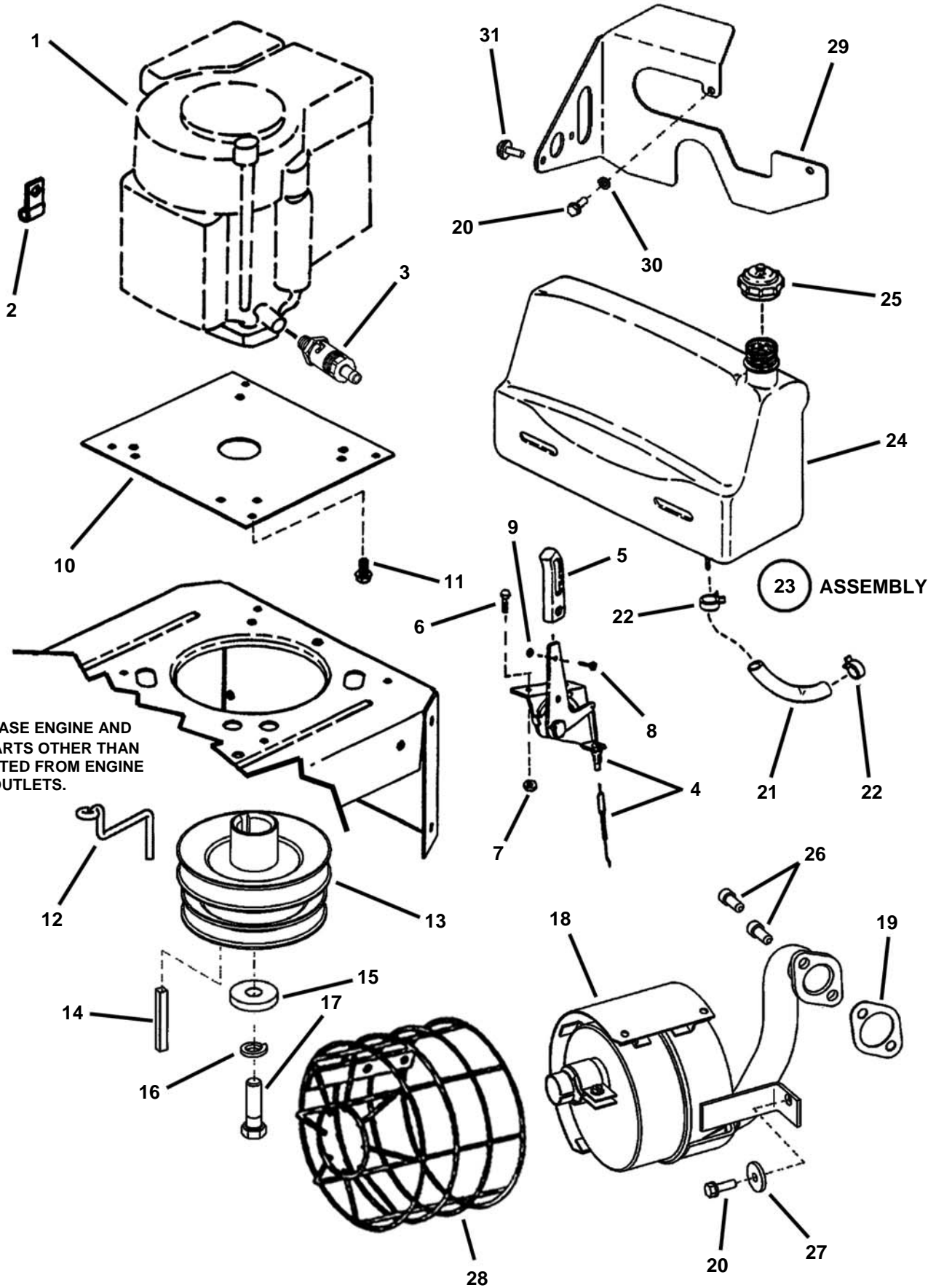
ITEM	PART NO.	DESCRIPTION
1	4-7962	HOUSING, Spindle
2	2-4687	SPINDLE, Shaft (7.54" Long)
3	1-4407	WASHER
4	1-3313	BEARING, Spindle (2)
5	3-7751	HOLDER, Blade
6	1-2491	RING, 1-3/4" External Retaining (2)
7	1-0817	FITTING, Lube
8	9-0356	NUT, 5/8-18 Hex Center Lock Jam
9	9-0392	SCREW, 1/2-20 x 1" Hex Head Cap (2)
10	9-0559	NUT, 1/2-20 Hex Jam (2)

38" SPINDLE ASSEMBLY



ITEM	PART NO.	DESCRIPTION
--	5-8357	ASSEMBLY, Spindle Housing, 38" Cutting Deck (Includes items 2 thru 9)
1	1-0817	FITTING, Lube
2	1-2491	RING, Retaining (2)
3	1-3313	BEARING, Spindle (2)
4	5-9378	HOUSING, Spindle (weldment)
5	7-2537	SHAFT, Spindle (7.155" Long)
6	7-2109	WASHER, Spindle
7	2-4467	WASHER, Belleville, 19/32" I.D. x 1-3/4" O.D. (2)
8	9-1633	NUT, 9/16-18 Hex Jam
9	4-2998	BLADE, 19"
10	7-2440	SPACER, Pulley (.655" ID x 1.755" OD x .28" Thick)

ENGINE COMPONENTS

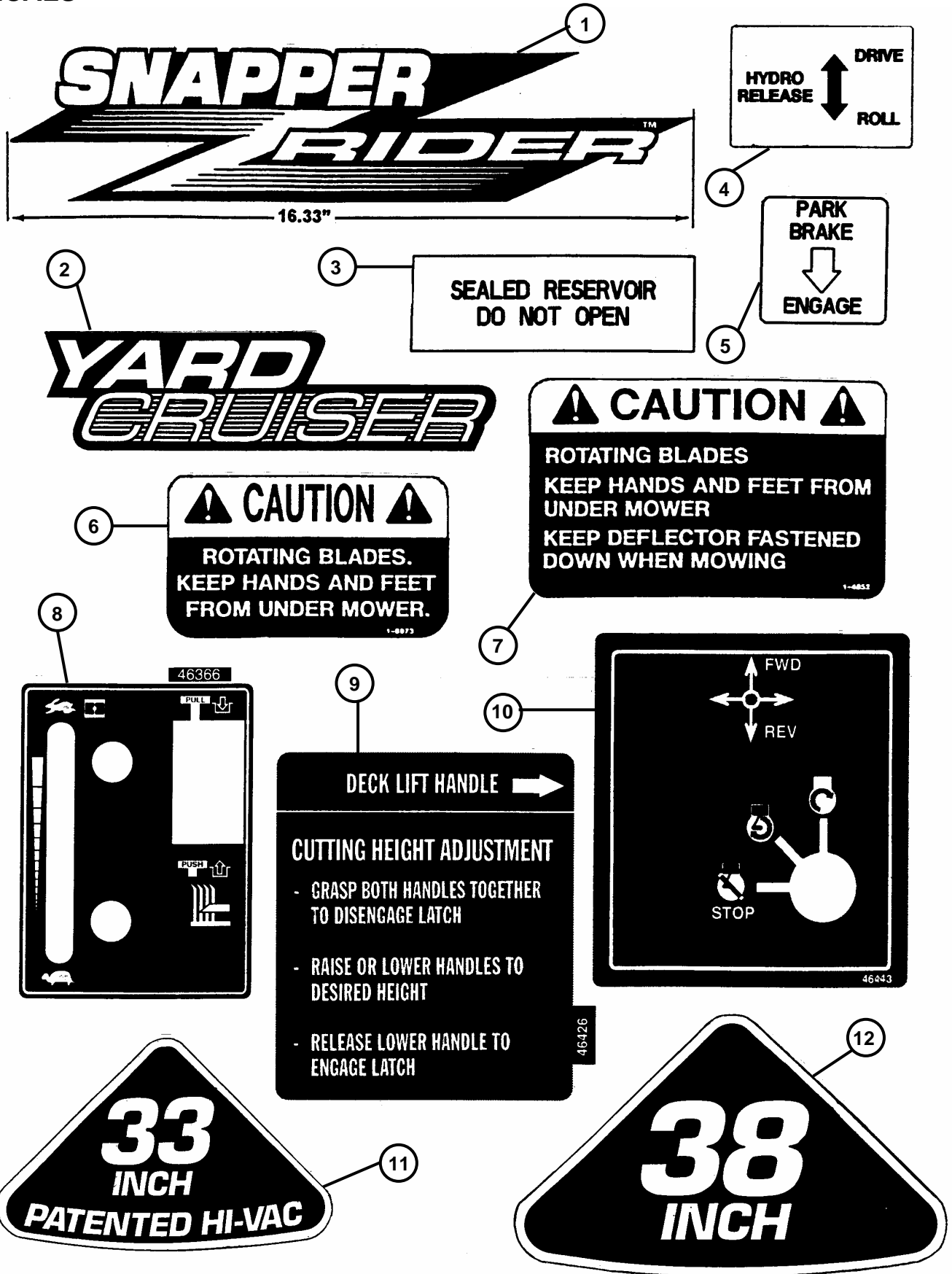


** PURCHASE ENGINE AND ENGINE PARTS OTHER THAN THOSE LISTED FROM ENGINE SERVICE OUTLETS.

ENGINE COMPONENTS

ITEM	PART NO.	DESCRIPTION
1	--	ENGINE, 14.5 HP Briggs (Model 287707, Type 1236, Trim E1)
-	--	ENGINE, 15 HP Briggs (Model 281H07, Type 0111, Trim E1)
-	--	ENGINE, 15 HP Briggs (Model 281H07, Type 0113, Trim E1 Euro)
2	1-2652	WIRE CLIP, 7/16"
3	2-7972	ASSEMBLY, Oil Valve
4	4-6259	CONTROL, Engine Control
5	2-3655	LEVER, Engine Control
6	9-1240	SCREW, #10-32 x 5/8" Hex Washer Head, Grade 5 (2)
7	9-0376	NUT, #10-32 Hex Nyloc (2)
8	9-1017	SCREW, #8-32 x 3/8" Cross Recess Fillister Head Machine
9	9-1018	NUT, #8-32 Hex
10	3-6389	PLATE, Engine
11	9-0324	SCREW, 3/8-16 x 1" Hex Washer Head (Briggs) (4)
12	3-5362	GUIDE, Belt
13	4-1822	PULLEY, Engine (Small Pulley- Down)
14	1-0210	KEY, 1/4" x 2" Square
15	9-1807	SPACER, Clutch
16	9-1301	WASHER, 7/16" Split Lock
17	9-1763	SCREW, 7/16-20 x 1-1/2" Hex Head Cap, Grade 5
18	7-4453	MUFFLER, (14.5 HP Briggs)
19	1-5352	GASKET, Exhaust
20	9-0290	SCREW, 1/4-20 x 3/4" Self-Tapping Grade 5 (2)
21	3-2015	HOSE, Fuel 1/4" I.D. x 7" long
22	2-9900	CLAMP, Fuel Hose (2)
23	5-1905	ASSEMBLY, Fuel Tank (Includes tank & cap)
24	**	TANK, Fuel (not sold separately)
25	1-2515	CAP, Fuel
26	9-1738	SCREW, 5/16-18 x 3/4" Socket Head Cap Grade 8 (2)
27	9-1627	WASHER, 1/4" Lock Split (2)
28	2-4356	GUARD, Muffler
29	7-4965	HEAT SHIELD, Muffler
30	9-0052	WASHER, 1/4" Split Lock
31	9-1016	SCREW, 1/4-20 x 5/8" Hex Head Self-Tap (2)

DECALS



TO START ENGINE:

1. OPERATOR MUST BE SEATED ON MACHINE.
2. BLADE SWITCH MUST BE PUSHED IN TO THE "OFF" POSITION.
3. JOYSTICK CONTROL MUST BE IN THE NEUTRAL POSITION.
4. PARK BRAKE MUST BE ENGAGED BY PRESSING THE BUTTON AND PULLING THE LEVER BACK TO LOCK POSITION.
5. SET CHOKE AND THROTTLE CONTROL.
6. TURN IGNITION KEY TO "ON" POSITION.

TO OPERATE MACHINE:

1. MOVE ENGINE SPEED CONTROL TO "FAST" POSITION.
2. PULL BLADE SWITCH OUT TO THE "ON" POSITION TO START BLADES.
3. RELEASE PARK BRAKE BY PRESSING THE BUTTON AND MOVING LEVER FORWARD TO LOCK POSITION.
4. SLOWLY MOVE JOYSTICK CONTROL IN THE DESIRED DIRECTION OF TRAVEL.
5. INCREASE/DECREASE SPEED WITH THE AMOUNT OF JOYSTICK MOVEMENT FROM THE NEUTRAL POSITION.

TO STOP MACHINE:

1. MOVE JOYSTICK CONTROL TO NEUTRAL POSITION.
2. PUSH BLADE SWITCH IN TO THE "OFF" POSITION TO STOP BLADES.
3. ENGAGE PARK BRAKE BY PRESSING THE BUTTON AND PULLING LEVER BACK TO THE LOCK POSITION.
4. TURN IGNITION KEY TO THE "OFF" POSITION.

13

14

DECK POSITION 7 6 5 4 3 2 1

15

DANGER
KEEP HANDS and FEET AWAY

16

29113

**TO STAND ON END:
CLOSE CAP VENT AND REMOVE TANK
IF FUEL IS OVER 3/4 FULL.**

18

17

WARNING

AVOID SERIOUS INJURY OR DEATH

- READ ALL MANUALS AND INSTRUCTIONS FURNISHED WITH THE MACHINE.
- MAKE SURE THAT SHIELDS, GUARDS, SWITCHES, AND OTHER SAFETY DEVICES ARE IN PROPER POSITION AND FUNCTIONAL.
- CLEAR MOWING AREA OF WIRE, ROCKS AND OTHER OBJECTS THAT COULD CAUSE INJURY IF THROWN BY BLADE.
- DO NOT ALLOW CHILDREN (PRE-TEENAGERS) ON MACHINE (EVEN WITH BLADE OFF) OR IN YARD WHEN MOWING. KEEP OTHERS SAFELY AWAY FROM THE OPERATING AREA.
- LOOK DOWN AND BEHIND MACHINE BEFORE AND WHILE BACKING.
- DO NOT MOW ON SLOPES OR IN ANY AREA WHERE STABILITY OR TRACTION IS IN DOUBT. IF YOU CAN NOT BACK UP A SLOPE, DO NOT MOW ON IT.
- DO NOT MOW ACROSS FACE OF SLOPES. REDUCE SPEED AND AVOID SHARP TURNS ON SLOPES.
- AVOID UPHILL STARTS. IF THE MACHINE IS STOPPED GOING UP A SLOPE, TURN BLADE OFF AND BACK DOWN THE SLOPE.
- STOP BLADE BEFORE PUTTING FOOT ON GROUND OR LEAVING THE SEAT.
- AVOID SUDDEN TURNS.

46441

19

WARNING

**GUARD OR ENTIRE GRASS CATCHER
MUST BE INSTALLED BEFORE
OPERATING MOWER**

46720

ITEM	PART NO.	DESCRIPTION
1	3-5848	DECAL, SNAPPER Z Rider
2	4-6350	DECAL, Yard Cruiser
--	4-5359	DECAL, Yard Cruiser
3	4-4767	DECAL, Hydro Reservoir
4	7-1683	DECAL, Hydro Release
5	4-5167	DECAL, Parking Brake
6	1-6973	DECAL, Caution
7	1-4852	DECAL, Caution
8	4-6366	DECAL, Engine Control
9	4-6426	DECAL, Deck Height
10	4-6443	DECAL, Ignition Switch
11	2-2991	DECAL, 33" Hi-Vac
12	2-6154	DECAL, 38 Inch
13	4-5173	DECAL, Operation
14	4-6457	DECAL, Deck Position
15	2-6831	DECAL, CPSC
16	4-6441	DECAL, Safety Instruction
17	2-9113	DECAL, Caution Fuel
18	7-3335	DECAL, OPEI
19	4-6720	DECAL, Warning Chute/Deflector

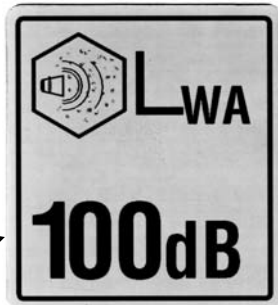
EUROPEAN DECALS



ITEM	PART NO.	DESCRIPTION
1	2-2841	DECAL, Warning, International Symbol
2	2-9784	DECAL, Deck Chute, International Warning
3	6-3280	DECAL, Safety Symbols
4	2-8700	DECAL, Chute/Read Manual
5	6-3279	DECAL, Deck Adjust



6



7



8



9

29113

**TO STAND ON END:
CLOSE CAP VENT AND REMOVE TANK
IF FUEL IS OVER 3/4 FULL.**

10

11

**VOOR U DE MACHINE OP DE
BUMPER PLAATST:
SLUIT DE VERLUCHTING. VERWIJDER DE
BRANDSTOFTANK ALS ZE MEER DAN 3/4 VOL IS.**

29345

**POUR METTRE DEBOUT:
FERMER L'ORIFICE DU BOUCHON ET
RETIRER LE RESERVOIR S'IL EST
PLUS QU' AUX 3/4 PLEIN.**

12

29346

**ZUM HOCHKANTAUFSTELLEN:
DIE ENTLUFTUNG DER FULLSCHRAUBE
SCHLIESSEN UND DEN TANK ENTFERNEN,
FALLS ER MEHR ALS 3/4 VOLL IST.**

13

73199

**DA APPORRE SULL'ESTREMITÀ:
CHIUDERE IL TAPPO E LO SFIATO. NEL CASO IL
COMBUSTIBILE RAGGIUNGA I 3/4, ESTRARRE IL
SERBATOIO DALLA MACCHINA.**

14

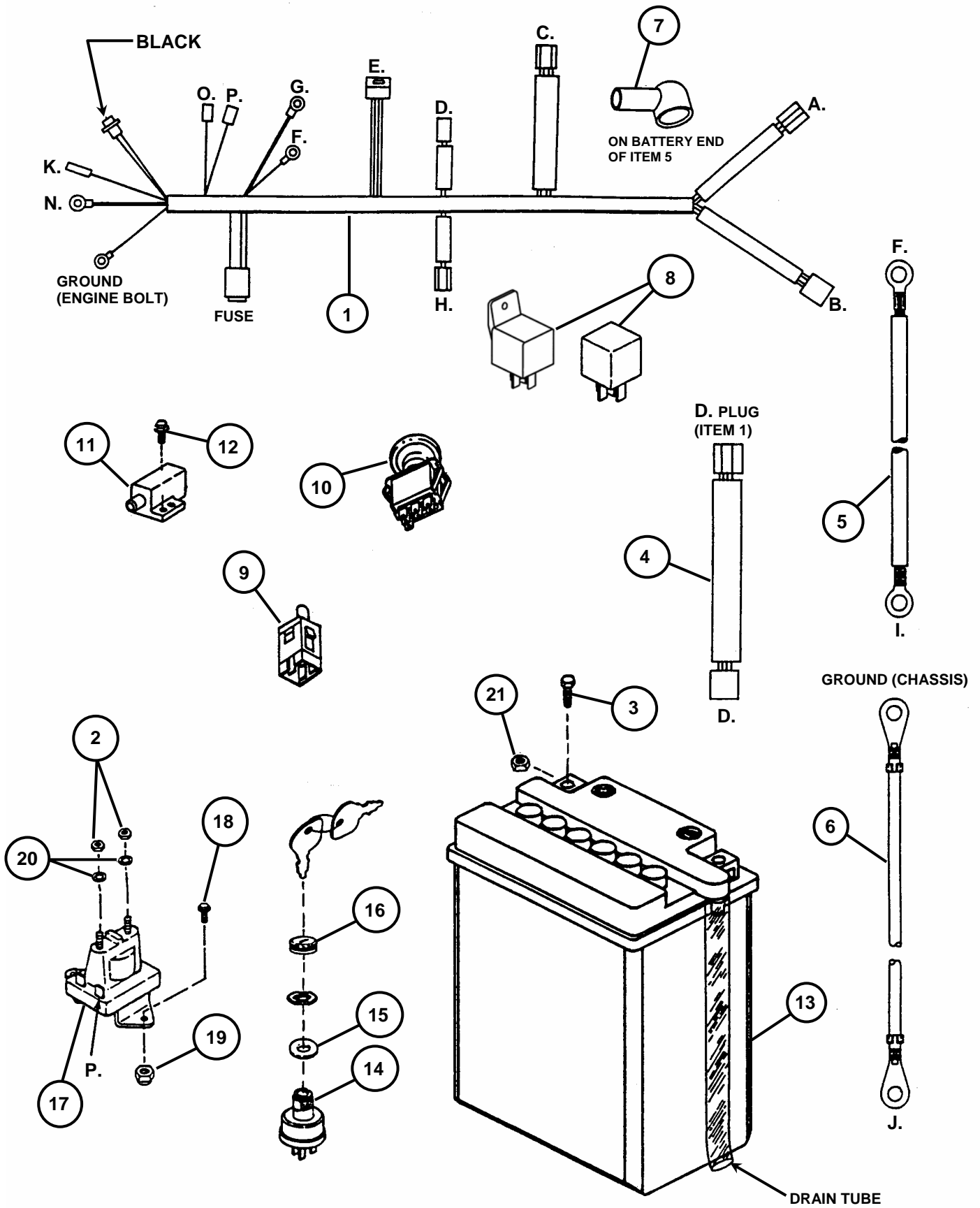
73200

**PARA PONER LA MÁQUINA VERTICAL:
CERRAR EL RESPIRADERO DE LA TAPA Y RETIRAR EL
DÉPÓSITO DE COMBUSTIBLE SI ESTÁ MÁS DE 3/4 LLENO.**

15

6	4-6304	DECAL, Park Brake (Euro)
7	7-4135	DECAL, Sound 100
8	2-9776	DECAL, Euro Community (CE)
9	7-5378	DECAL, 2003 Year of Manufacture
10	2-9113	DECAL, Caution, Fuel (English)
11	2-9114	DECAL, Caution, Fuel (Dutch)
12	2-9345	DECAL, Caution, Fuel (French)
13	2-9346	DECAL, Caution, Fuel (German)
14	7-3199	DECAL, Caution, Fuel (Italian)
15	7-3200	DECAL, Caution, Fuel (Spanish)

ELECTRICAL COMPONENTS



ELECTRICAL COMPONENTS

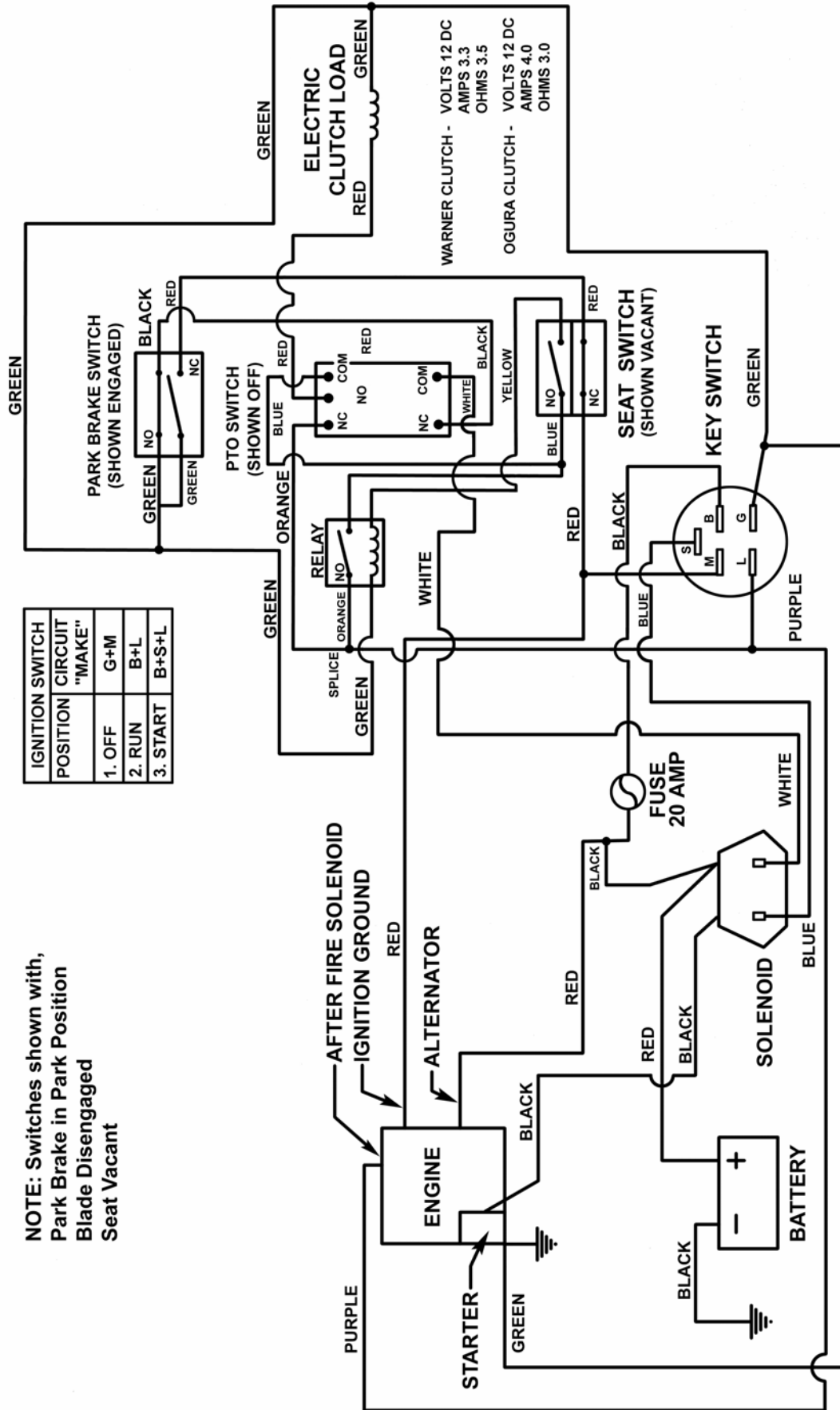
ITEM	PART NO.	DESCRIPTION
1	7-5047	WIRING HARNESS (14.5 & 15HP Briggs) (38" Deck Series 3 & 4)
--	4-7041	WIRING HARNESS (14.5 & 15HP Briggs) (33" Deck Series 3 & 4)
2	9-0977	NUT, 1/4-20 Hex Jam (2)
3	9-0411	SCREW, #10-24 x 1/2" Hex Head Cap (2)
4	3-5926	WIRING HARNESS, Warner Clutch (38" units)
5	1-6835	WIRE, Positive, 13"
6	4-2956	WIRE, Negative, 14"
7	7-1694	COVER, Battery Cable
8	2-8570	RELAY, Operator Presence Control (for 13 HP Briggs)
--	5-8211	RELAY, Operator Presence Control (with bracket) (for 14.5 & 15 HP Briggs)
9	2-2886	SWITCH, Seat (NC/NO)
10	2-8542	SWITCH, PTO Electric Clutch
11	2-3355	SWITCH, Park Break (NC/NO)
12	9-0913	SCREW, #10-24 x 1/2" Hex Washer Head, Self-Tapping (3)
13	2-9130	BATTERY, 12 Volt, 14 Amp, 190 Cold Cranking Amp (Includes Drain Tube)
14	2-6343	SWITCH, Ignition (Includes #1-1138 Keys)
15	2-9714	SPACER
16	2-3506	BEZEL
17	7-5622	SOLENOID, 12 Volt (Was 18604)
18	9-0071	SCREW, 1/4-20 x 1/2" Hex Head Cap, Grade 5 (2)
19	9-1584	NUT, 1/4-20 Hex Flange Lock, Grade 5 (2)
20	9-1314	WASHER, 1/4 Internal Tooth Lock (3)
21	1-2688	NUT, #10-24 Hex Twin "Whiz" Lock (2)
22	3-5661	SPACER, PTO Switch (Not Shown)

<u>PLUG</u>	<u>CONNECTS TO:</u>
A.	Brake Switch
B.	PTO Switch
C.	Seat Switch
D.	Electric Clutch
E.	Relay
F.	Solenoid Battery Terminal
G.	Solenoid Starter Terminal
H.	Ignition Switch
I.	Battery, Positive Terminal
J.	Battery, Negative Terminal
K.	Alternator
L.	Ignition Ground
M.	Anti-After Fire
N.	Start Engine
O.	Solenoid "Spade" Terminal
P.	Solenoid "Spade" Terminal
Q.	Ground at Solenoid

WIRING SCHEMATIC

NOTE: Switches shown with,
Park Brake in Park Position
Blade Disengaged
Seat Vacant

IGNITION SWITCH POSITION	CIRCUIT "MAKE"
1. OFF	G+M
2. RUN	B+L
3. START	B+S+L



SCHEMATIC - WIRING DIAGRAM

Part No. 4-7041 for YZ145333BVE, YZ15334BVE, YZ145383BVE, YZ15384BVE and EYZ15334BVE

NOTES

Parts Manual for

SNAPPER®

YARD CRUISER™

HYDRO DRIVE

YZ SERIES 3 & 4

IT IS THE POLICY OF SNAPPER TO IMPROVE ITS PRODUCTS WHENEVER IT IS POSSIBLE AND PRACTICAL TO DO SO. WE RESERVE THE RIGHT TO MAKE CHANGES OR ADD IMPROVEMENTS AT ANY TIME WITHOUT INCURRING ANY OBLIGATION TO MAKE SUCH CHANGES ON PRODUCTS MANUFACTURED PREVIOUSLY.

SNAPPER® McDonough, GA., 30253 U.S.A.

COPYRIGHT © 2003
SNAPPER PRODUCTS INC.
ALL RIGHTS RESERVED

MANUAL No. 06147

(Rev. 3, 06/05/03)

PRINTED IN U.S.A.