

*Parts Manual for*

# **SNAPPER®**

## **21" STEEL DECK EASY LINE EUROPEAN SWIVEL WHEEL WALK MOWER**



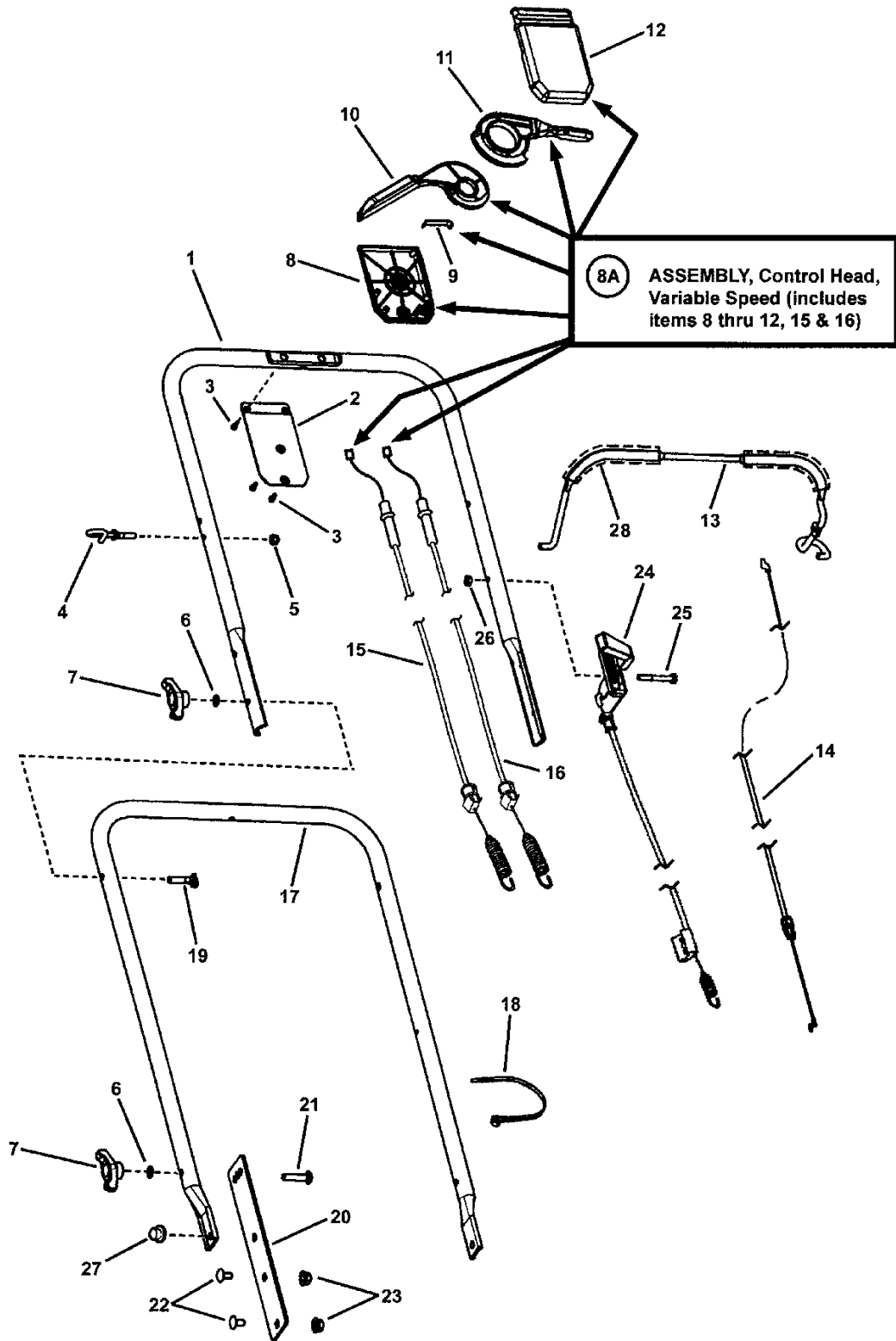
<b>MODEL</b>
<b>ESPV21S</b>
<b>ESPV211S</b>

**SNAPPER®** McDonough, GA, 30253 U.S.A.



<b>PAGE</b>	<b>GROUP</b>
4	HANDLES & CONTROLS
6	GUARDS AND COVERS
8	FRONT WHEELS
10	REAR WHEELS
12	REAR DECK BRACKETS & IDLER ARM
14	TRANSMISSION
16	ENGINE AND BLADE
18	BAGGING COMPONENTS
20	DECALS

# HANDLES & CONTROLS



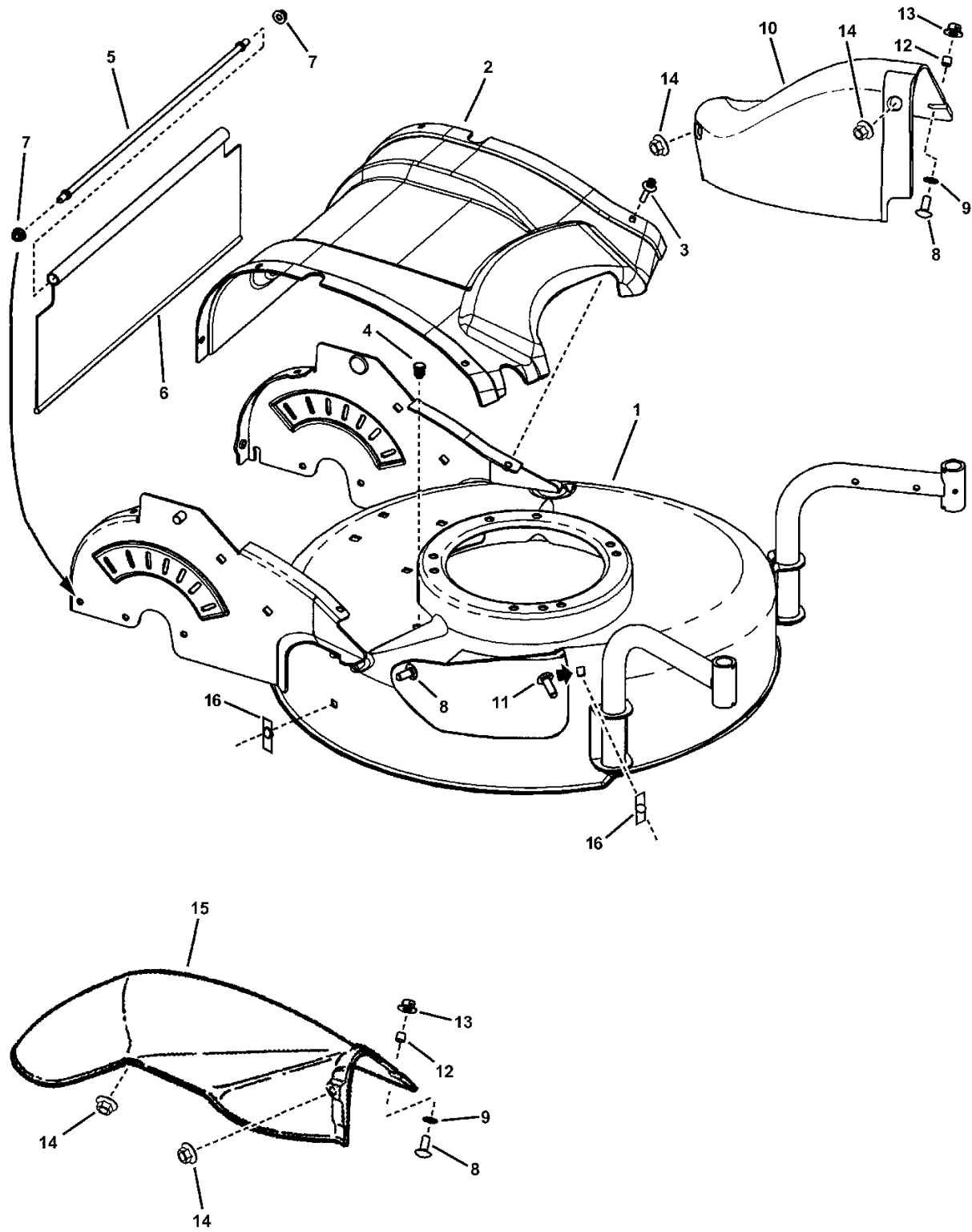
## HANDLES & CONTROLS

Item	Part No	Qty	Description	Note
1	7078247	1	HANDLE, Upper	<i>finish: flat black textured</i>
2	7300130	1	PLATE, Control Panel	<i>finish: flat black textured</i>
3	7100225	4	SCREW, #8-16 Recessed Pan Head (Torxplus)	
4	7028488	1	GUIDE, Rope	<i>with 1/4-20 threads</i>
5	7076978	1	NUT, 1/4-20 Hex Nyloc	
6	7090391	4	WASHER, 5/16 Internal Tooth Lock	
7	7035744	4	KNOB, 5/16-18 Wing (Black)	
7	M720727	4	KNOB, 5/16-18 Wing (Black)	<i>Briggs part</i>
8A	7100069	1	ASSY, Control Head Variable Speed (Incl. 8, 9, 10, 11, 12, 15 & 16)	
8		1	CASE HALF, Bottom, Black	<i>not available individually</i>
9		1	SPRING STEEL	<i>not available individually</i>
10		1	CLUTCH LEVER, Silver	<i>not available individually</i>
11		1	ASSEMBLY, Speed Lever/Friction Material	<i>not available individually; includes 7100412, Friction Strip</i>
12		1	CASE HALF, Top, Variable Speed- Black	<i>not available individually</i>
13	7078248	1	BAIL, Brake	<i>finish: flat black textured</i>
14	7100074	1	* CABLE, Zone Control	
15	7100263	1	* CABLE, Clutch	
16	7100264	1	* CABLE, Speed	
17	7078246	1	HANDLE, Lower	<i>finish: flat black textured</i>
18	7024649	2	WIRE TIE, 11 Inch Black Nylon	
19	7091189	2	BOLT, 5/16-18 x 2" Curved Head Square Neck GR 2	
20	7300103	2	BRACKET, Lower Handle	<i>finish: flat black textured</i>
21	7091612	2	BOLT, 5/16-18 x 1-1/2" Round Head Square Neck, GR 5	
22	7090799	7	BOLT, 5/16-18 x 5/8" Round Head Short Square Neck Carriage	
23	7091601	4	NUT, 5/16-18 Hex Flange Lock	
24	7072023	1	* CONTROL, Swivel Wheel Latch 56.5 (LH Outside)	
25	7090505	1	SCREW, 1/4-20 x 2" Hex Head Cap, GR 5	
26	7090372	3	NUT, 1/4-20 Hex Center Lock	
27	7091135	2	PUSHNUT, 3/8"	
28	7100632	2	FOAM GRIP, 7"	

### Footnotes:

NOTE: \* Snapper part numbers are stamped on cables.

# GUARDS AND COVERS

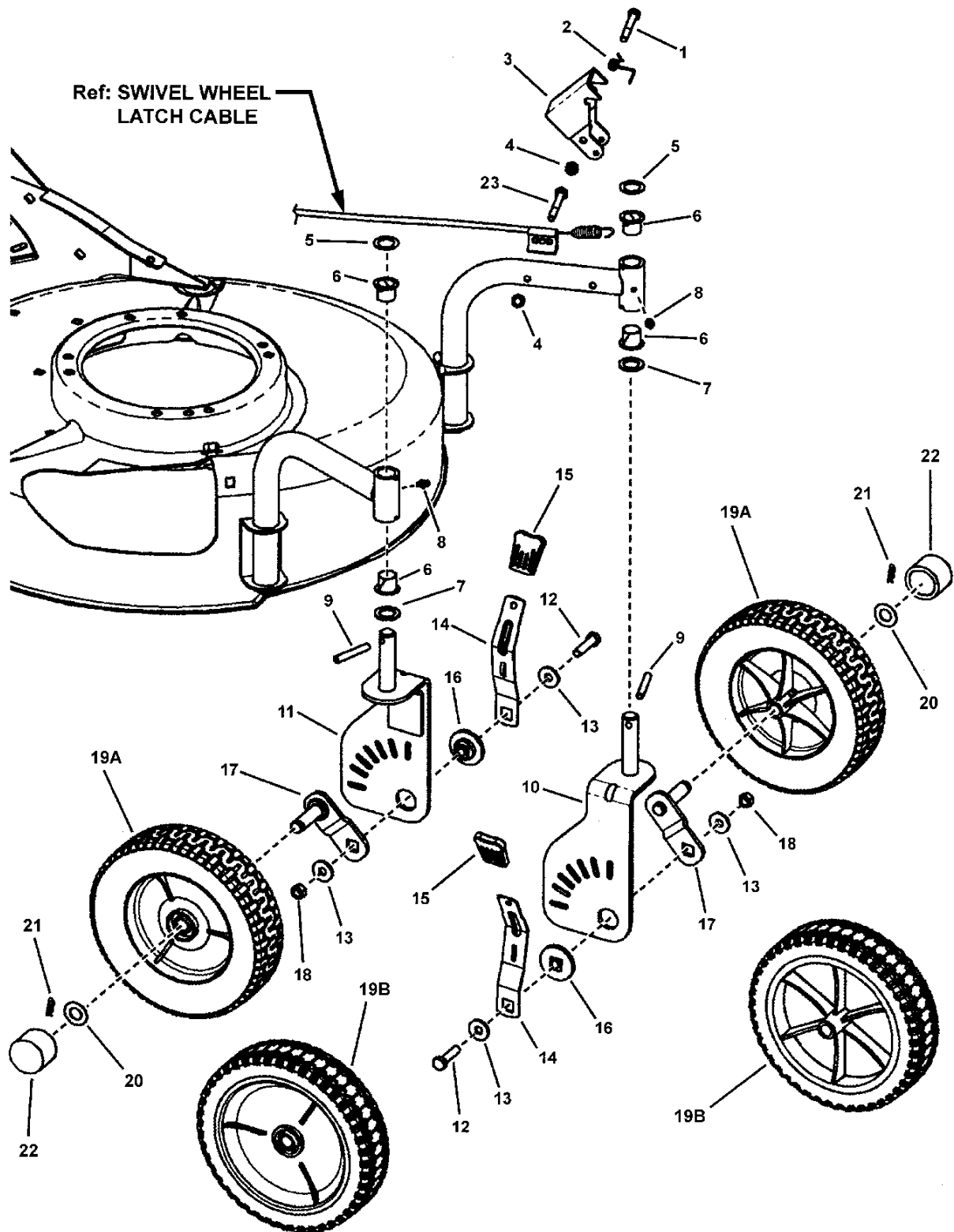


## GUARDS AND COVERS

Item	Part No	Qty	Description	Note
1	7400014	1	WELDMENT, 21" Deck Swivel Wheel	
2	7100001	1	REAR COVER, Belt/Transmission	
3	7900032	6	SCREW, 7mm x 1 x .550 AB Point	<i>replaces 7100059 rivet</i>
4	7046780	2	PLUG, Hole (Polyethylene)	
5	7078225	1	ROD, Trail Shield	<i>1/4-20 thread- both ends</i>
6	7078272	1	SHIELD, Trail	
7	7091584	2	NUT, 1/4-20 Hex Flange Lock	
8	7090001	2	BOLT, 5/16-18 x 3/4" Short Square Neck Carriage, GR 5	
9	7011791	1	BOLT RETAINER, 5/16- Black	
10	7029149	1	COVER, 21 Deck Recycling	
11	7091169	1	BOLT, 5/16-18 x 1-1/8" Short Square Neck Carriage, GR 5	
12	7024340	1	SPACER, .316 x .375 x .300/.310	
13	7090951	1	NUT, 5/16-18 Large Flange Hex Center Lock	
14	7091070	2	NUT, 5/16-18 Hex Flange Lock	
15	7042965	1	CHUTE, 21 Side Discharge	
16	7900028	1	NUT, 5/16-18 Speed	<i>Shakeproof# FN-614020-1-50)</i>

### Footnotes:

# FRONT WHEELS



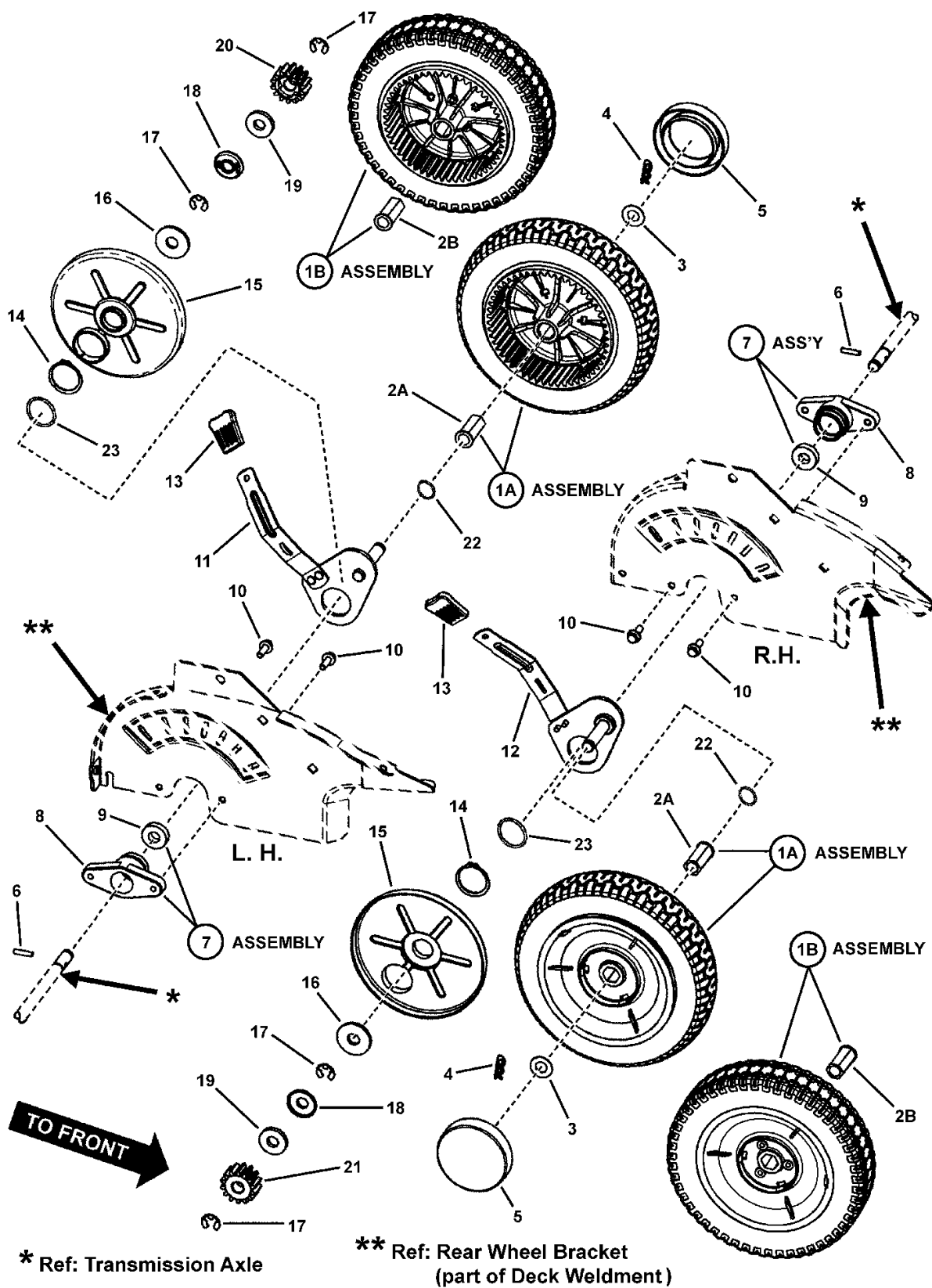


## FRONT WHEELS

Item	Part No	Qty	Description	Note
1	7091256	1	SCREW, 1/4-20 x 2-1/4" Hex Head Cap, GR 5	
2	7046668	1	SPRING, Torsion	
3	7300171	1	BRACKET Swivel Wheel Lock, Red	
4	7090372	2	NUT, 1/4-20 Hex Center Lock	
5	7092021	2	WASHER, .64 x .99 x .025 Flat	
6	7046628	4	BUSHING, 5/8" Nylon	
7	7092022	2	WASHER, .64 x .99 x .075 Flat	
8	7013864	2	LUBE FITTING, 3/16"	
9	7014106	2	ROLL PIN, 1/4 x 1-3/4"	
10	7400068	1	WELDMENT, Swivel Wheel Brkt. LH (Red)	
11	7400070	1	WELDMENT, Swivel Wheel Brkt. RH (Red)	
12	7091527	2	SCREW, 5/16-18 X 1-1/4" Hex Head Cap, GR 5	
13	7900022	4	WASHER, .875 x .327 x .090 Flat	
14	7100251	2	LEVER, Height Adjust, Swivel Wheel	
15	7100633	2	GRIP, Height Latch	<i>replaces 7027702 (voided)</i>
16	7100249	2	SPACER, Swivel Wheel Pivot	
17	7500101	2	ASSEMBLY, Axle Arm/Stud	
18	7091575	2	NUT, 5/16-18 Hex Center Lock	
19A	7100250	2	WHEEL, Front 8 x 2", LS Tread, 1-3/8" Hub Length	
19B	7101127	2	WHEEL, Front 8 x 2", Dbl Bar II Tread, 1-3/8" Hub	
20	7100585	2	WASHER, Shim, .875 x .531 x .060	
21	7091193	2	COTTER, Hairpin	
22	7100088	2	HUB CAP, 1-3/8" Diameter	<i>black</i>
23	7090505	1	SCREW, 1/4-20 x 2" Hex Head Cap, GR 5	

### Footnotes:

# REAR WHEELS



## REAR WHEELS

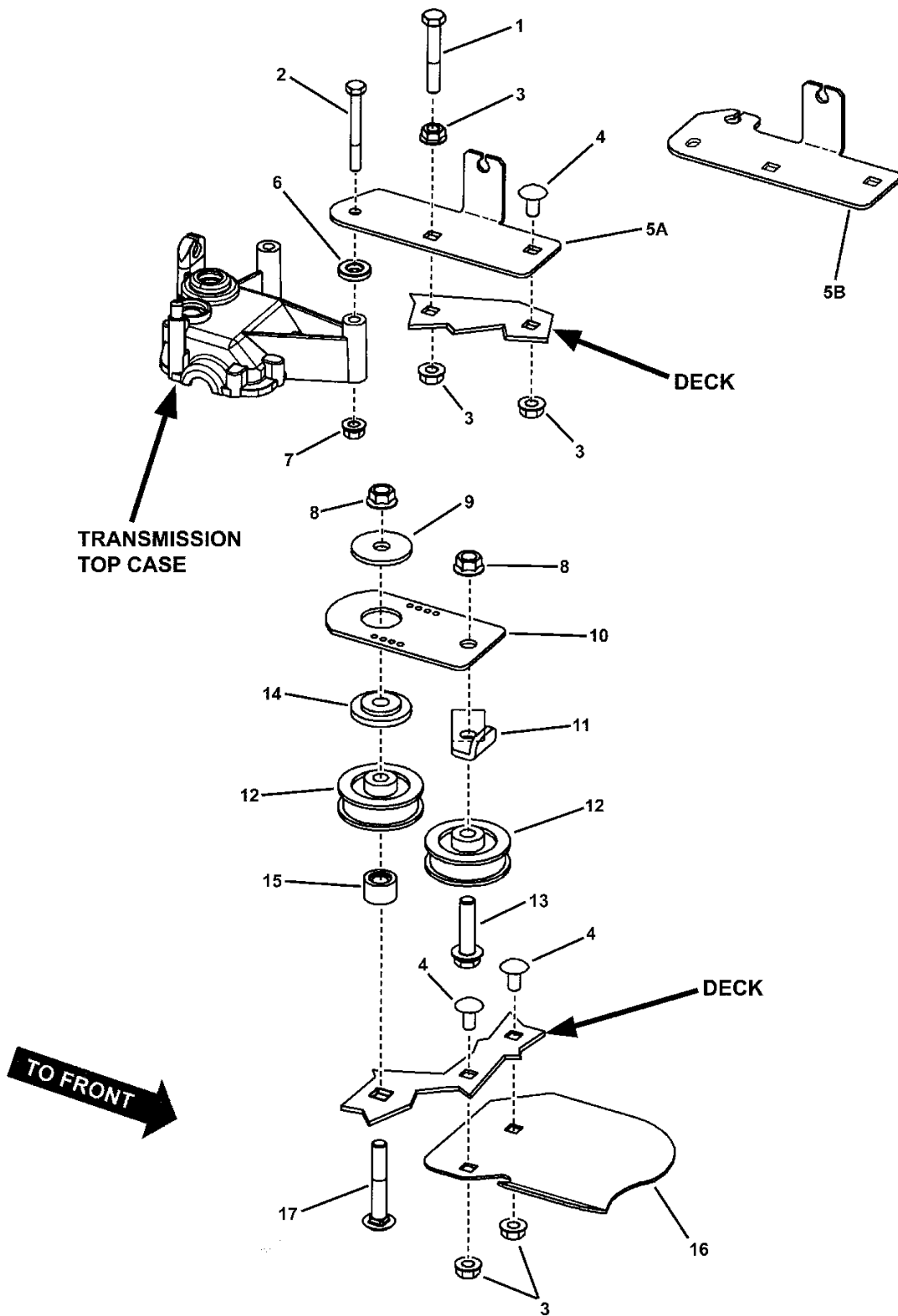
Item	Part No	Qty	Description	Note
1A	7100184	2	* ASSY., 9" x 2" Gear Wheel, LS Tread & P. M. Bushing	<i>gray rim</i>
1B	7101104	2	** ASSY., 9 x 2" Gear Wheel, Dbl Bar II Tread & Nylon Bushing	
2A	7073618	1	BUSHING, Wheel (powdered metal)	<i>part of item 1A</i>
2B	7024541	1	BUSHING, Wheel (nylon)	<i>part of item 1B</i>
3	7091192	2	WASHER, 1/2" Flat	
4	7091193	2	COTTER, Hairpin	
5	7100114	2	HUB CAP, 3-1/4" Diameter, Black	
6	7024749	2	PAWL, 3/16" O.D.	
7	7500041	2	ASSEMBLY, Axle Bearing	<i>incl. items 8 &amp; 9</i>
8	7078214	1	HOUSING, Axle Bearing	
9	7078243	1	BALL BEARING, Axle	<i>.50 I.D. x 1.125 O.D. x .3125 thick</i>
10	7090699	4	BOLT, 1/4-20 x 3/4" Hex Flange Lock	
11	7078235	1	ASSEMBLY, Axle Arm, Left Rear	
12	7078236	1	ASSEMBLY, Axle Arm, Right Rear	
13	7100633	2	GRIP, Height Latch	<i>replaces 7027702 (voided)</i>
14	7900010	2	SNAP RING, 1-3/8"	<i>Truarc 5100-137</i>
15	7078269	2	SHIELD, Dust	
16	7091194	2	WASHER, .531 x 1.50 x .134	<i>or 7100644 (WASHER, .531 x 1.25 x .063)</i>
17	7014341	4	RETAINING RING	<i>Waldes 5133-50</i>
18	7026478	2	RETAINER, Pinion Seal	
19	7026479	2	SEAL, Pinion (Felt)	
20	7024550	1	PINION, LH Drive	
21	7024549	1	PINION, RH Drive	
22	7100627	2	O-RING, Buna N, 018	
23	7100626	2	O-RING, Buna N, 124	

### Footnotes:

NOTE: \* 7100184 includes Tire & Rim ass'y. (7100014) & Bushing (7073618).

NOTE: \*\* 7101104 includes Tire & Rim ass'y. (7101126) & Bushing (7024541).

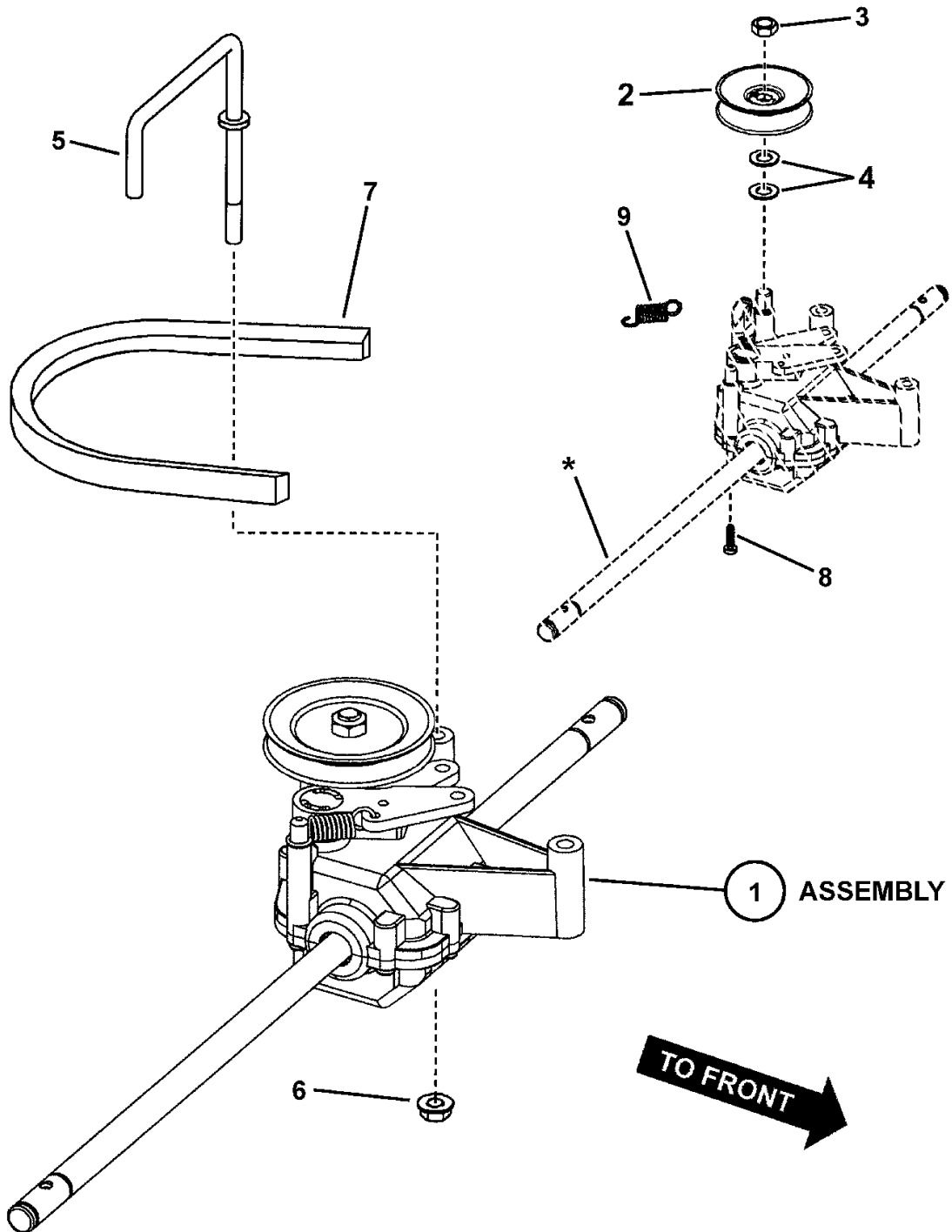
# REAR DECK BRACKETS & IDLER ARM



## REAR DECK BRACKETS & IDLER ARM

Item	Part No	Qty	Description	Note
1	7027174	1	SCREW, 5/16-18 x 2" Hex Head Cap, GR 5	
2	7091256	1	SCREW, 1/4-20 x 2-1/4" Hex Head Cap, GR 5	
3	7091601	3	NUT, 5/16-18 Hex Flange Lock	
4	7090799	3	BOLT, 5/16-18 x 5/8" Round Head Short Square Neck Carriage	
5A	7300047	1	BRACKET, Transmission Mounting	
5B	7300494	1	BRACKET, Transmission Mounting	
6	7100122	1	SPACER, 3/8 x 13/16 x 5/32"	
7	7091545	1	NUT, 1/4-20 Hex Top Lock Flange	
8	7091619	2	NUT, 3/8-16 Hex Flange Lock	
9	7091331	1	WASHER, 13/32 x 1-1/2 x 1/8" Flat	
10	7300020	1	IDLER ARM, Belt Drive	
11	7300196	1	BELT GUIDE, Idler	
12	7100856	2	PULLEY, Flat Idler, Plastic	<i>replaces 7078245</i>
13	7090614	1	BOLT, 3/8-16 x 1-1/2" Hex Flange Lock, GR 5	
14	7100062	1	SPACER, Pivot, Belt Idler	
15	7100063	1	SPACER, Idler	
16	7300013	1	SHIELD, Debris	
17	7900009	1	BOLT, 3/8-16 x 2-1/4" Short Square Neck Carriage, GR 5	

### Footnotes:



\* Ref: TRANSMISSION, Dog Clutch  
(not a parts sales item)

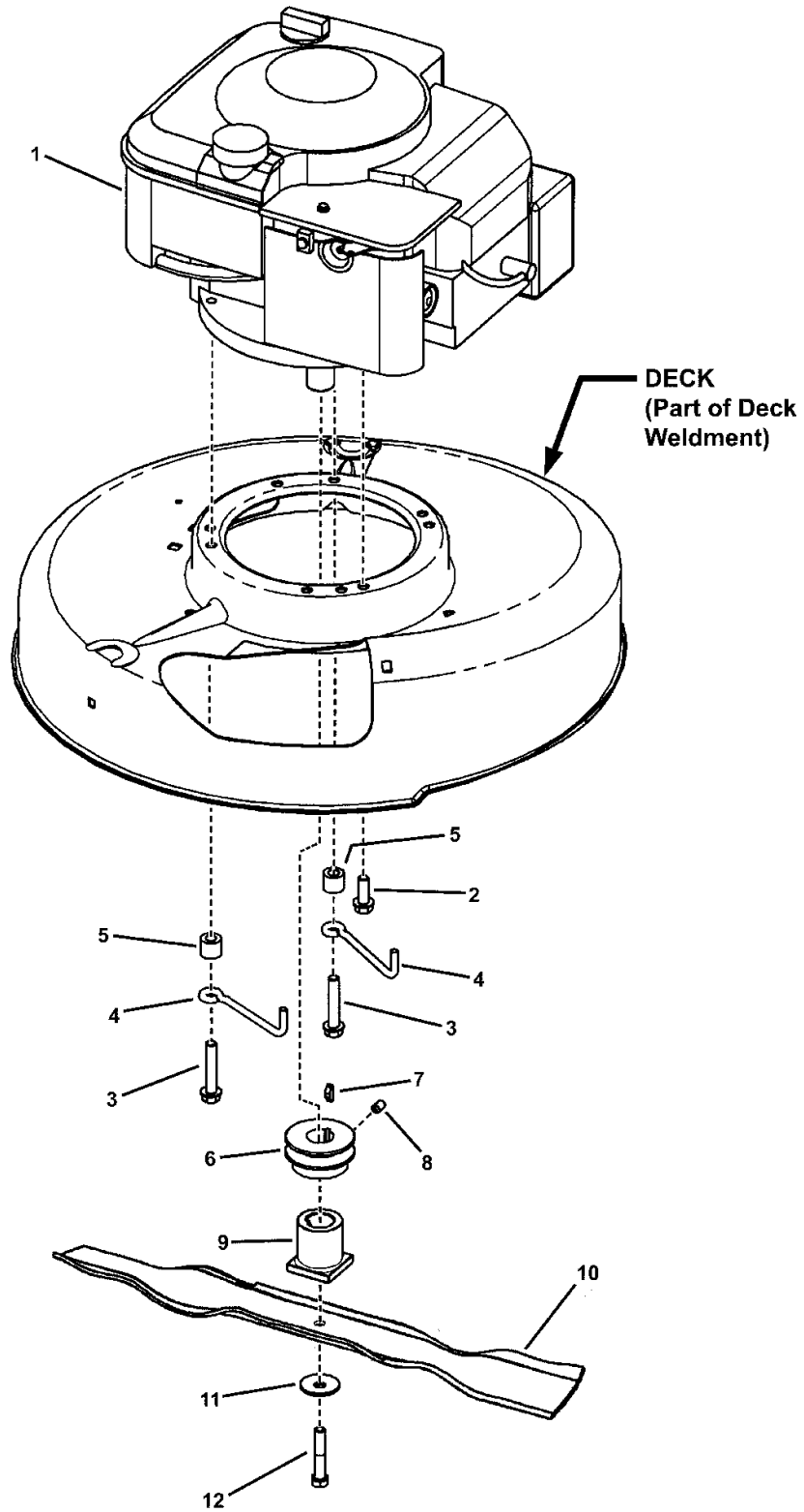
## **TRANSMISSION**

---

<b>Item</b>	<b>Part No</b>	<b>Qty</b>	<b>Description</b>	<b>Note</b>
1	7500103	1	TRANSMISSION, LC Walk, Variable Speed	<i>includes pulley</i>
		1	TRANSMISSION, Dog Clutch	<i>not a part sales item</i>
2	7100240	1	PULLEY, Transmission	
3	1960251	1	NUT, 3/8-16 Hex Center Lock Jam	
4	7012316	2	WASHER, .390 I.D.	
5	7100395	1	BELT GUIDE, Variable Speed	<i>(1/4-20 threads)</i>
6	7091545	1	NUT, 1/4-20 Hex Top Lock Flange	
7	7100058	1	BELT, 3L, Traction Drive	<i>38.125 Nominal O.D.</i>
8	7900032	8	SCREW, 7mm x 1 x .550 AB Point	
9	7100966	1	SPRING, Return, Clutch	

### **Footnotes:**

NOTE: \* Part number is printed on back edge of belt.





## ENGINE AND BLADE

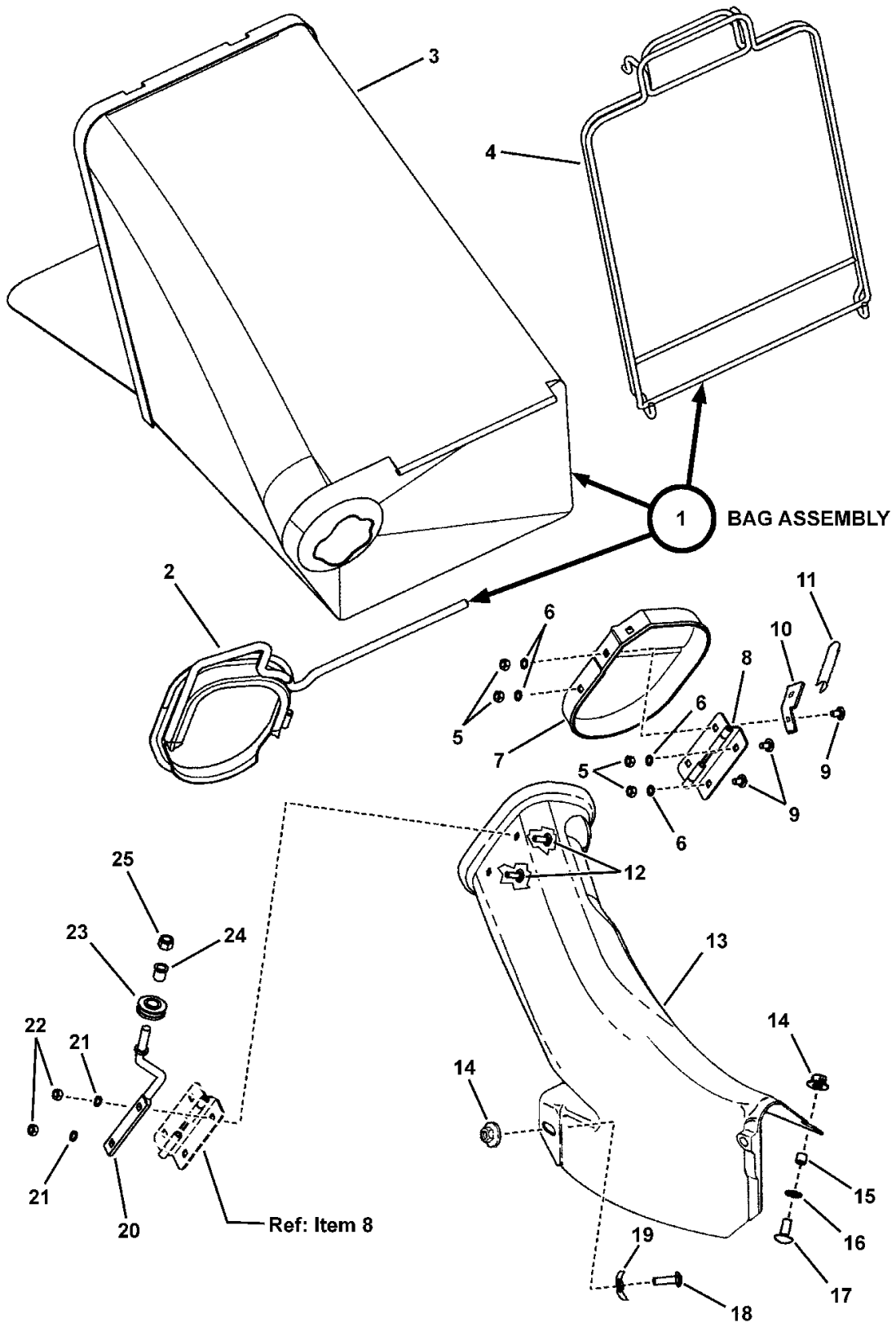
---

Item	Part No	Qty	Description	Note
1		1	* ENGINE, 6.5 HP Quantum Euro	<i>Model 123K020142E1</i>
1		1	* ENGINE, 60 B&S Quantum, Euro	<i>Model 12H8021843B1</i>
2	7090324	1	SCREW, 3/8-16 x 1" Hex Washer Self-Tap	
3	7091088	2	SCREW, 3/8-16 x 2" Hex Washer Self-Tap	
4	7100022	2	GUIDE, Belt	
5	7200010	2	SPACER, Belt Guide	
6	7100437	1	PULLEY, Engine	
7	7091214	1	KEY, Hi-Pro (#HP-506)	
8	7092086	1	SET SCREW, 5/16-18 x 1/2" Hex Recess	<i>Type A Point (Cup Point)</i>
9	7015626	1	HUB, Blade Drive, 25M I.D.	
10	7100242	1	BLADE, Wave, 21" Steel Deck	
11	7012063	1	WASHER, Cone	
12	7090167	1	SCREW, 3/8-24 x 2" Hex Head Cap, GR 5	

### Footnotes:

NOTE: \* Purchase engine parts from engine manufacturer dealer.

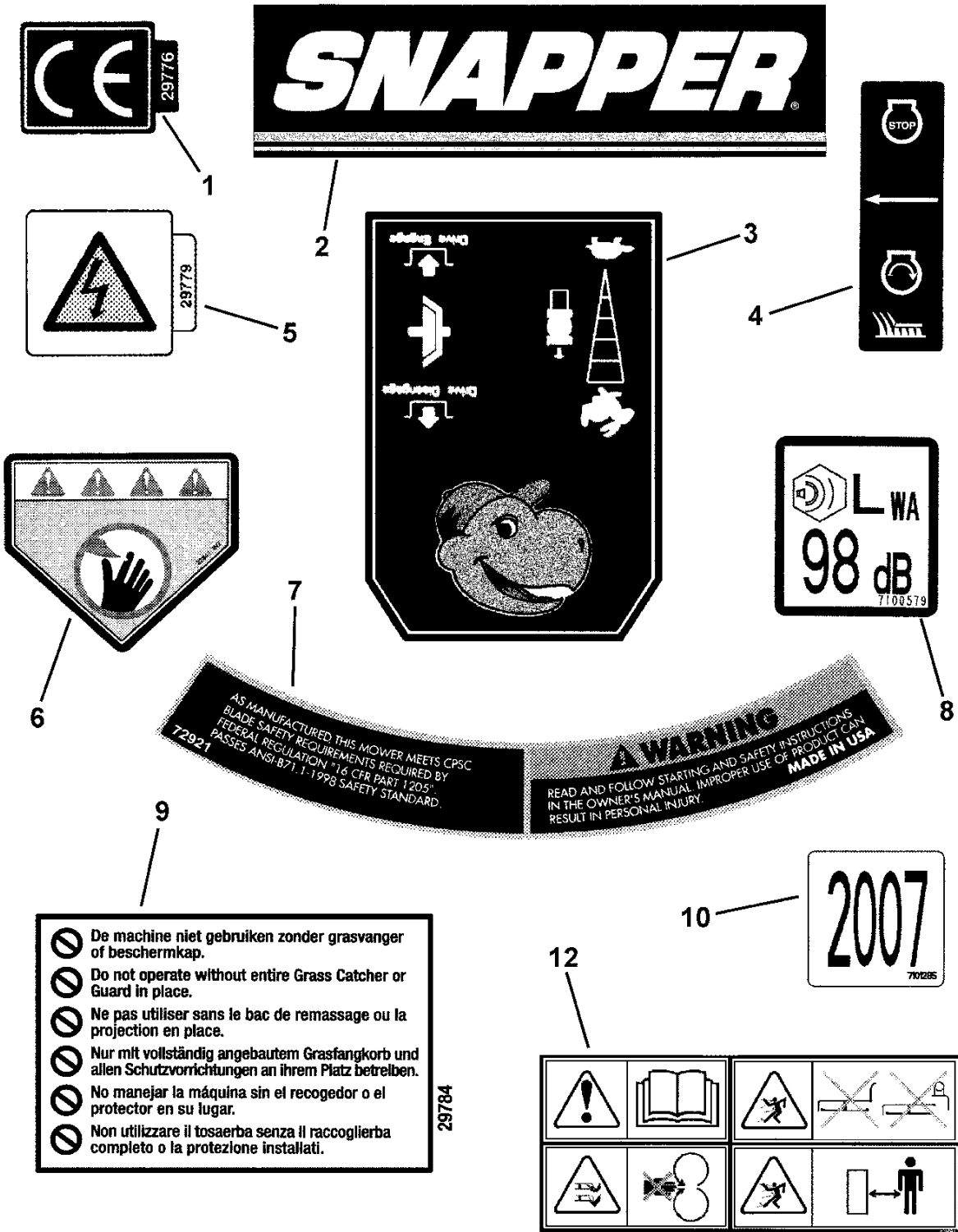
# BAGGING COMPONENTS



## BAGGING COMPONENTS

Item	Part No	Qty	Description	Note
1	7058571	1	BAG ASSEMBLY (Door)	<i>includes items 2 thru 4 (weldment)</i>
2	7042489	1	CONNECTOR, Bag	
3	7075765	1	GRASS BAG (Door w/silver letters)	
4	7051906	1	ASSEMBLY, Bag Wire (12") 21S	
5	7091100	4	NUT, 1/4-20 Hex	
6	7091023	4	WASHER, 1/4" Internal Tooth Lock	
7	7019287	1	COVER, Bag Adapter	
8	7023000	1	HINGE, Chute Cover	
9	7090803	5	BOLT, 1/4-20 x 5/8" Flat Head Square Neck, GR 5	<i>or 7091064 (1/4-20 x 1/2" Square Neck Carriage Bolt, Grade 5)</i>
10	7032661	1	STOP, Cover	
11	7023042	1	TRIM, Moulding	
12	7091530	2	BOLT, 1/4-20 x 3/4" Short Square Neck Carriage, GR 5	
13	7016107	1	ADAPTER, Bag 21	
14	7090951	2	NUT, 5/16-18 Large Flange Hex Center Lock	
15	7024340	1	SPACER, .316 x .375 x .300/.310	
16	7011791	3	BOLT RETAINER, 5/16- Black	
17	7090001	1	BOLT, 5/16-18 x 3/4" Short Square Neck Carriage, GR 5	
18	7091833	1	SCREW, 5/16-18 x 5/8" Cross Recess Pan Head	
19	7900028	1	NUT, 5/16-18 Speed	<i>Shakeproof# FN-614020-1-50)</i>
20	7100582	1	ROD, Rope Pulley	<i>(3/8-16 thread)</i>
21	1916964	2	LOCKWASHER, 1/4" Spring	
22	7090977	2	NUT, 1/4-20 Hex Jam, GR 5 or B	
23	7024228	1	PULLEY, Nylon	
24	7012306	1	BUSHING, Flange, .381 x .625 x .62	
25	7091299	1	NUT, 3/8-16 Hex Nyloc	

### Footnotes:



## DECALS

Item	Part No	Qty	Description	Note
1	7029776	1	DECAL,Euro Community (CE)	
2	1731955	1	DECAL, SNAPPER Logo	
3	7100342	1	DECAL, Control Head, Variable Speed	
4	7029782	1	DECAL, OPC Bail International Symbol	
5	7029779	1	DECAL, Spart Plug International Symbol	
6	7022841	1	DECAL, Warning (Euro)	
7	7072921	1	DECAL, Warning (Deck)	
8	7100579	1	DECAL, Noise, 98 DB	
9	7029784	1	DECAL, Deck/Chute International Warning	
10	7011279	1	DECAL, 2005 Year of Manufacture	<i>not shown</i>
10	7100611	1	DECAL, 2006 Year of Manufacture	<i>not shown</i>
10	7101285	1	DECAL, 2007 Year of Manufacture	
11		1	DECAL, Patent Numbers	<i>not shown; not a service part</i>
12	7101084	1	DECAL, Warning, Euro, Multi-Panel	

### Footnotes:





*Parts Manual for*

# **SNAPPER<sup>®</sup>**

## **21" STEEL DECK EASY LINE EUROPEAN SWIVEL WHEEL WALK MOWER**

IT IS THE POLICY OF BRIGGS & STRATTON CORP TO IMPROVE ITS  
PRODUCTS WHENEVER IT IS POSSIBLE AND PRACTICAL TO DO SO.  
WE RESERVE THE RIGHT TO MAKE CHANGES OR ADD  
IMPROVEMENTS AT ANY TIME WITHOUT INCURRING ANY  
OBLIGATION TO MAKE SUCH CHANGES ON PRODUCTS

**SNAPPER<sup>®</sup>** McDonough, GA, 30253 U.S.A.