

Parts Manual for

SNAPPER®

21" STEEL DECK WALK BEHIND MOWER SERIES 7

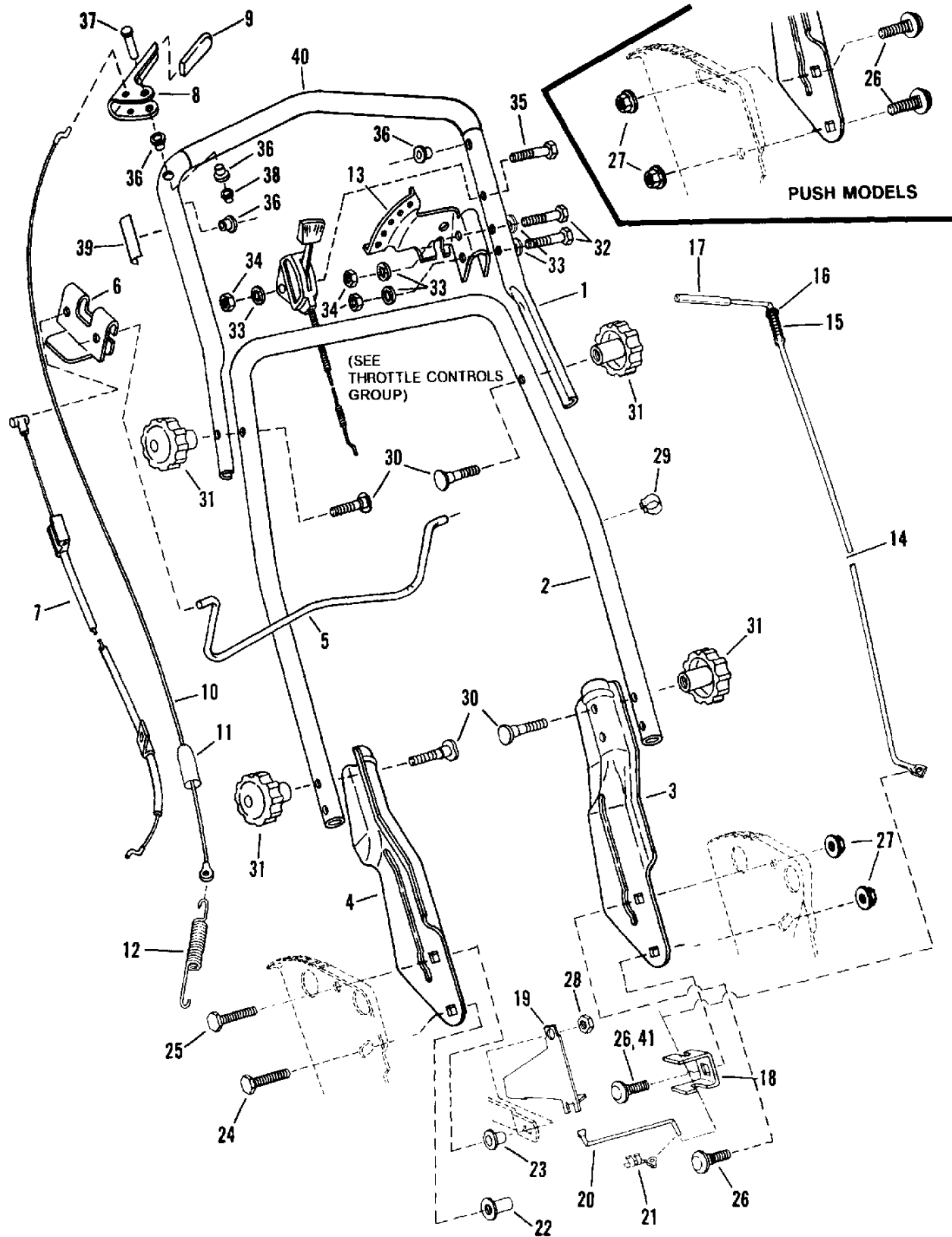


PUSH MODELS	PROPELLED MODELS
21357B	DP21357B
21407T	DP21407T
21407T-2	DP21407T-2
21507B	DP21507B
21507T	DP21507BE
G23157B	GP21507B
M21357B	GP21507BE
R21357B	MP21357B
R21407T	MP21507BE
R21507B	OP21407T-2
R21507TV	OP21507B
	P21357B
	P21407R-2
	P21407T
	P21407T-2
	P21507B
	P21507BE
	P21507TV
	PD21357B
	RP21357B
	RP21407T
	RP21507B
	RP21507BE
	RP21507TV

SNAPPER McDonough, GA, 30253 U.S.A.

PAGE	GROUP
4	Handles & Controls
8	Cutting Deck, Blade, Interlock
10	Front Wheel Bracket, Latches
12	Rear Wheels, Brackets, Latches
14	Front Wheels
16	Rear Wheels
18	Drive System - Self Propelled
22	Transmission (Differential)
24	Throttle Controls - Series 7
26	Decals (Part 1)
28	Decals (Part 2)
30	Side Chute, Adapter
32	Grass Bag
34	Accessories - Recycling Kits
36	21" Hi-Vac Mulcherizer Kits
38	Accessory - Snapperizer
40	Accessory - Thatcherizer
42	Electric Start Group

Handles & Controls

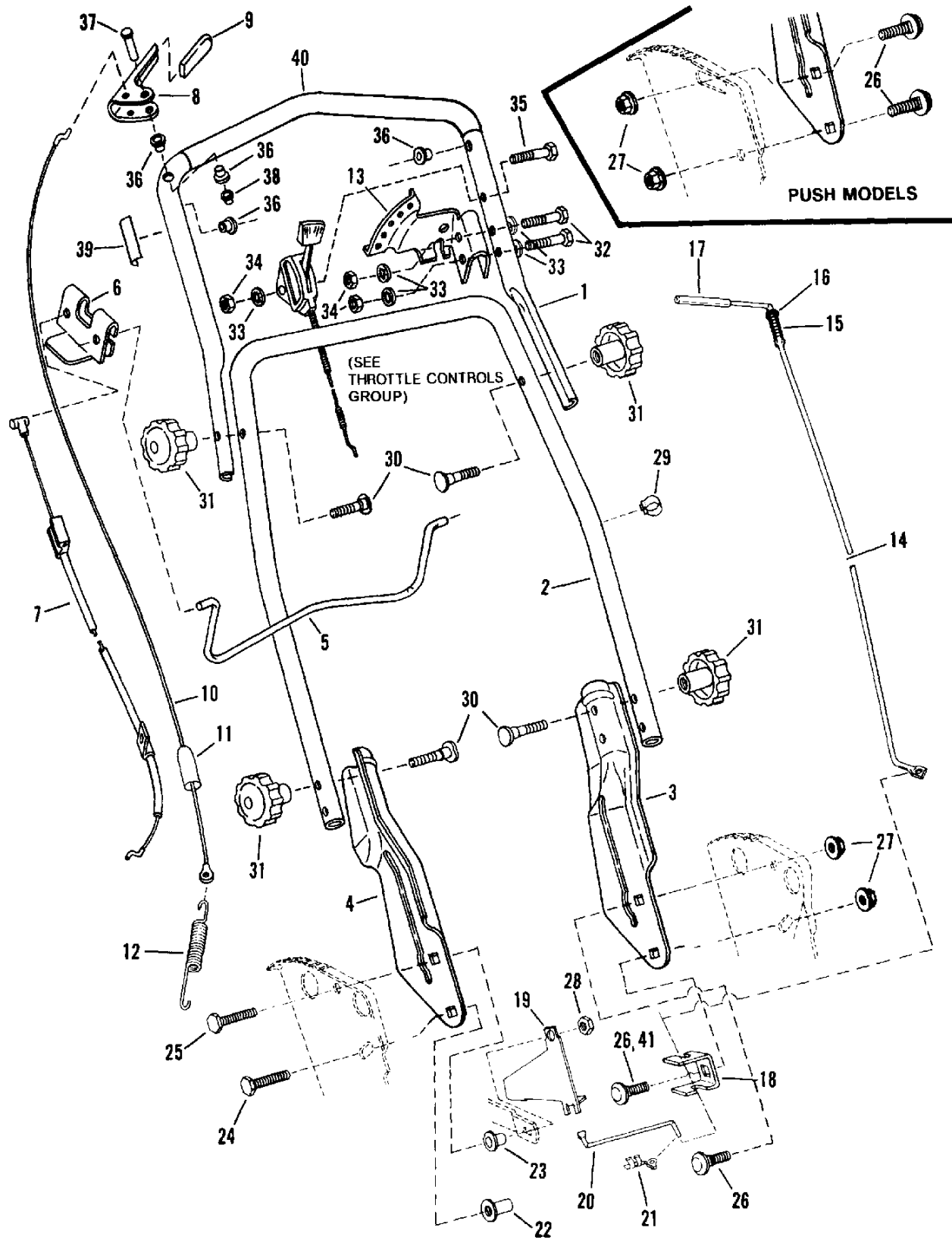


Handles & Controls

Item	Part No	Qty	Description	Note
1	7036354	1	HANDLE, Upper	Used on Push
1	7036357	1	HANDLE, Upper	Used on Self-Propelled
2	7036350	1	HANDLE, Middle	Used on All
3	7046502	1	HANDLE, Lower Left Hand	Was 38467, Used on All
4	7035342	1	HANDLE, Lower Right Hand	Was 38466, Used on All
5	7017072	1	CONTROL, Blade	Used on All
6	7033904	1	CLIP, Blade Control	Used on All (Same either side)
7	7023820	1	CABLE, Blade Control, 47.94" Overall length	B&S 3.5 H.P. Engine 1990 Model
7	7023835	1	CABLE, Blade Control, 63.87" Overall length	TEC 2-cycle Engine 1990 Model
7	7023765	1	CABLE, Blade Control, 52.65" Overall length	B&S 5.0 H.P. Engine 1990 Model
7	7016566	1	CABLE, Blade Control, 46.3" Overall length	Used on Briggs (All Engines) ("91 Models & Later)
7	7016708	1	CABLE, Blade Control, 56.93" Overall length	Used on Tecumseh (Side Valve Engines) ("91 Models & Later)
7	7016709	1	CABLE, Blade Control, 63.42" Overall length	TEC 2 Cycle Engine 1991 & Later
7	7016425	1	CABLE, Blade Control, 57.0" Overall length	Used on Tecumseh OHV Engine
7	7017276	1	CABLE, Blade Control, 47.95" Overall length	Used on Robin
8	7032826	1	HANDLE, Wheel Drive	Used on Self-propelled
9	7014307	1	GRIP, Wheel Drive Handle	Used on Self-propelled
10	7023134	1	CABLE, Clutch Pull (Z-BEND)	Used on Self-propelled
11	7012121	1	COVER, Vinyl	(Part of item 10)
12	7012122	1	SPRING, Clutch	Used on Self-propelled
13	7038478	1	SECTOR, Speed	Used on Self-propelled
14	7023795	1	LEVER, Speed Control	Used on Self-propelled
15	7012093	1	SPRING, Speed Control	Used on Self-propelled
16	7090188	1	WASHER, 3/8" Flat	Used on All-different locations
17	7023801	1	GRIP, Speed Control Handle	Used on Self-propelled
18	7032830	1	ANCHOR, Speed Control	Used on Self-propelled
19	7032408	1	GUIDE, Lower V-Belt	Used on Self-propelled
20	7023790	1	ROD, Transfer	Used on Self-propelled
21	7010937	1	CLIP, Transfer Rod	Used on Self-propelled
22	7090895	1	TEE-NUT, 5/16-18	Used on Self-propelled
23	7012114	1	BUSHING, Differential	Used on Self-propelled
24	7090595	1	BOLT, 5/16-18 x 3/4 Flange Lock	Used on Self-propelled
25	7090238	1	CAPSCREW, 5/16-24 x 1	Used on Self-propelled
26	7090799	2	BOLT, 5/16-18 x 5/8 Carriage	Was 91026 (Used on All different locations)
27	7091601	4	NUT, 5/16-18 Hex Flange Lock	Was 90585 (Used on All different locations)
28	7090222	1	NUT, 5/16-24 Center Lock	Used on Self-propelled
29	7023813	1	CLIP Cable/Wiring	Used on All

Footnotes:

Handles & Controls

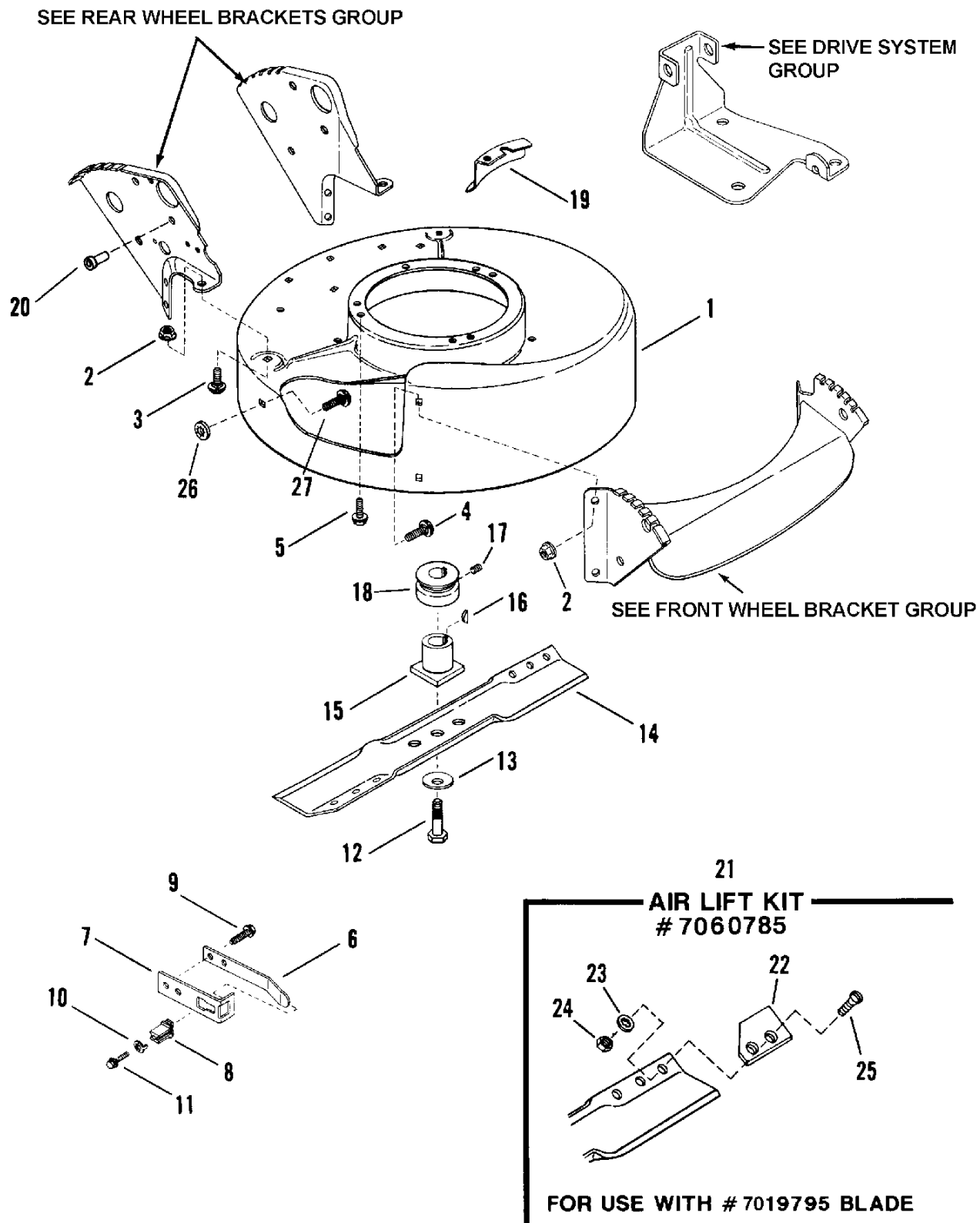


Handles & Controls

Item	Part No	Qty	Description	Note
30	7091013	4	SCREW, 1/4-20 x 1-7/8 Curved Head	<i>Used on All</i>
31	7023735	4	KNOB, 5/16-18	<i>Used on All</i>
32	7091025	2	CAPSCREW, 1/4-28 x 1-3/8	<i>Used on Self-propelled</i>
33	7090053	5	LOCKWASHER, 1/4 Internal Tooth	<i>Was 91023 (Used on All (different locations))</i>
34	7090095	3	NUT, 1/4-20 Hex	<i>Was 91024 (Used on All (different locations))</i>
35	7091022	1	CAPSCREW, 1/4-28 x 1-3/4	<i>Used on All (throttle control)</i>
36	7014343	4	BUSHING	<i>Used on All</i>
37	7023792	1	PIN, Clutch Handle	<i>Used on Self-propelled</i>
38	7091020	1	PUSH-NUT (for handle pin)	<i>Used on Self-propelled</i>
39	7023745	1	DECAL, Blade Control	<i>Used on All</i>
40	7023901	1	GRIP, Foam 18"	<i>Used on Push</i>
40	7022460	1	GRIP, Foam 13.5"	<i>Was 23841, Used on Self-Propelled</i>
41	7091077	1	BOLT, 5/16-18 x 5/8" Carriage	<i>Used on Self-Propelled</i>

Footnotes:

Cutting Deck, Blade, Interlock

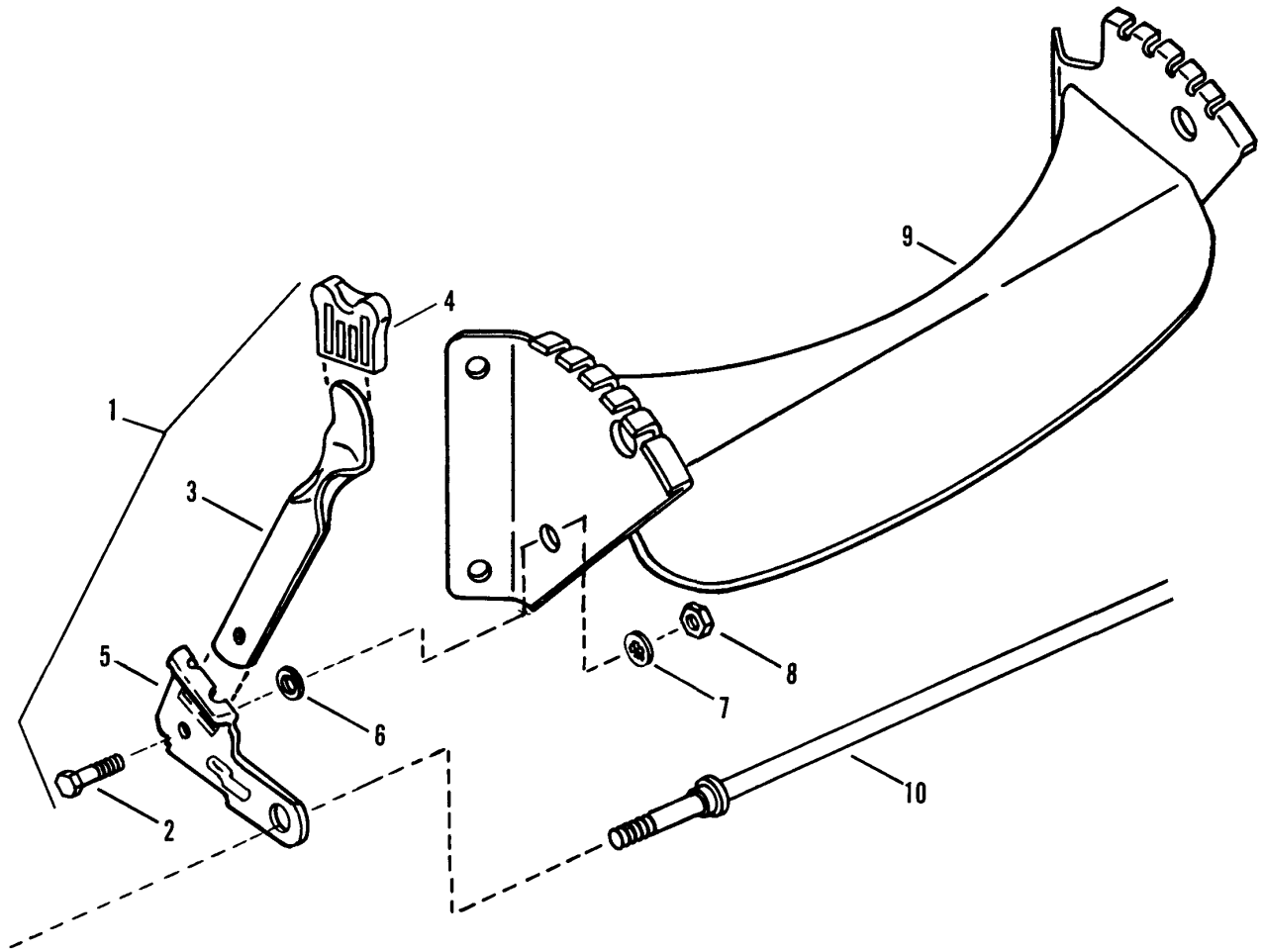


Cutting Deck, Blade, Interlock

Item	Part No	Qty	Description	Note
1	7057663	1	DECK, Mower	<i>(Includes painted deck with decals)</i>
2	7091601	12	NUT, 5/16-18 Hex Flange Lock	<i>Was 90585</i>
3	7090731	9	BOLT, 5/16-18 x 1/2" Short Neck Carriage (Gr.)	
4	7091303	4	BOLT, 5/16-18 x 1" Short Neck Carriage	<i>Was 90383</i>
5	7090324	2	SCREW, 3/8-16 x 1" Self-tapping (Engine Mounting)	
6	7032417	1	SPRING, Wheel Bracket Type Interlock	
7	7032416	1	BRACKET, Wheel Bracket Type Interlock	
8	7012048	1	INSULATOR, Interlock	
9	7091122	2	SCREW, 1/4-20 x 1/2" Self-tapping	<i>Was 90539</i>
10	7090385	1	WASHER, #8 Tab Internal Tooth Lock	
11	7090379	1	SCREW, #8-18 x 3/4" Hex Head Machine	
12	7090167	1	SCREW, 3/8-24 x 2" Hex Head Cap (Gr. 5)	
13	7012063	1	WASHER, Cone	
14	7019795	1	BLADE, Cutter	
14	7017168	1	BLADE, Cutter	<i>(For Recycling Models)</i>
15	7012927	1	HUB, Blade Drive (7/8" Dia. I.D.)	<i>(For '90 Models & Earlier)</i>
15	7015626	1	HUB, Blade Drive (25mm Dia. I.D.)	<i>(For '91 Models & Later)</i>
16	7010783	2	KEY, Hi-Pro	<i>(For '90 Models & Earlier)</i>
16	7015894	2	KEY, Woodruff (Briggs)(Tecumseh 2 Cycle)	<i>(For '91 Models & Later)</i>
16	7016755	1	KEY, Square (Robin & Tecumseh)	<i>(For '91 Models & Later)</i>
17	7090201	1	SCREW, 5/16-18 x 5/16" Hex Socket Set	
18	7021707	1	PULLEY, Engine (Briggs 3.5 H.P.) (7/8" I.D. x 1-7/8" O.D.)	<i>(For '90 Models & Earlier)</i>
18	7015780	1	PULLEY, Engine (Briggs) (Tecumseh 2 Cycle) (25mm I.D. x 2-1/8" O.D.)	<i>(For '91 Models & Later)</i>
18	7022106	1	PULLEY, Engine (Tec. & Robin) (25mm I.D.x 2-1/8" O.D.)	<i>(For '91 Models & Later)</i>
19	7031968	1	SHIELD, Belt Opening Cover	<i>(For Push Models Only)</i>
20	7012135	1	BUSHING, Interlock Wire	
21	7060785	1	KIT, Air Lift	<i>(Includes items 22 thru 25); For use with P/N 1-9795 Blade</i>
22	7032558	2	LIFT, Air	
23	7090391	4	WASHER, 5/16 Internal Tooth Lock	
24	7091297	4	NUT, 5/16-24 Hex	<i>Was 90223</i>
25	7090228	4	SCREW, 5/16-24 x 11/16" Machine	
26	7011791	2	RETAINER, 5/16 Bolt	
27	7090799	2	BOLT, 5/16-18 x 5/8" Carriage	

Footnotes:

Front Wheel Bracket, Latches

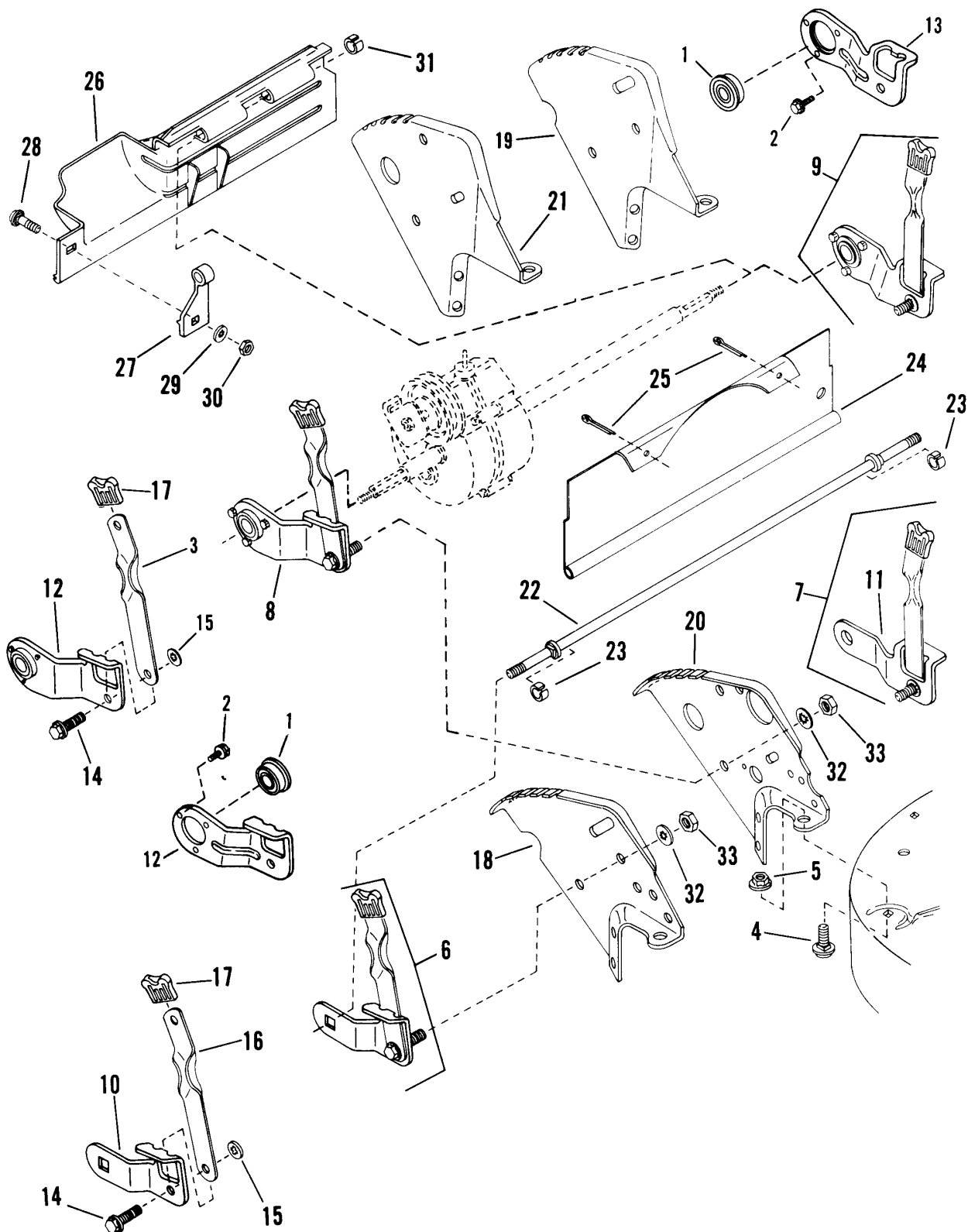


Front Wheel Bracket, Latches

Item	Part No	Qty	Description	Note
1	7051885	1	ARM ASSEMBLY, Left Wheel (Not shown)	(Consists of items 2, 3, 4, 5A,6)
1	7051886	1	ARM ASSEMBLY, Right Wheel	(Consists of items 2, 3, 4, 5B, 6)
2	7015761	2	BOLT, 5/16-18 Shoulder	
3	7012325	2	LATCH, Height	
4	7027702	2	GRIP, Latch	
5	7031016	1	ARM, Left Wheel (Not shown)	
5	7031017	1	ARM, Right Wheel	
6	7011791	2	RETAINER, 5/16 Bolt	
7	7090391	2	WASHER, 5/16 Internal Tooth Lock	
8	7091511	2	NUT, 5/16-18 Hex	Was 90196
9	7047971	1	BRACKET, Front Wheel	
10	7021119	1	AXLE	

Footnotes:

Rear Wheels, Brackets, Latches

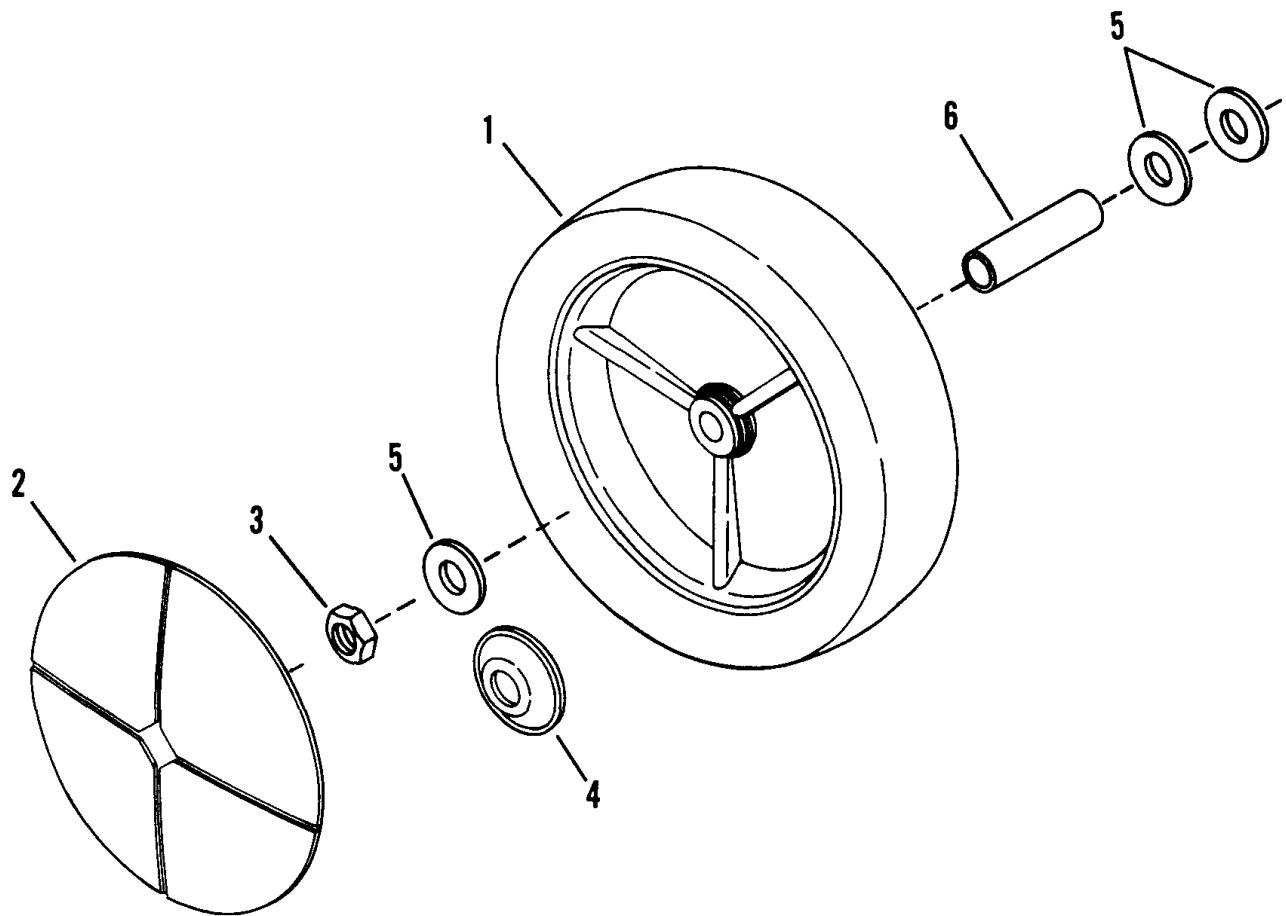


Rear Wheels, Brackets, Latches

Item	Part No	Qty	Description	Note
1	7046983	2	BEARING	Was 18767
2	7091012	6	SCREW, #10-32 x 3/8" Self-Tapping	
3	7035717	2	LATCH, Height Adjusting	Was 19218 (Self-Propelled Models)
4	7090731	6	BOLT, 5/16-18 x 1/2" Short Neck Carriage	
5	7091601	6	NUT, 5/16-18 Hex Flange Lock	Was 90585
6	7052909	1	ASSEMBLY, Wheel Arm (Square Hole, Front Left & Rear Right)	Was 51954 (Includes items 10,14,15,16,17)
7	7052908	1	ASSEMBLY, Wheel Arm (Round Hole, Front Right & Rear Left)	Was 51955 (Includes Items 11,14,15,16,17)
8	7054246	1	WHEEL ARM ASSEMBLY (Rear Right "P" Models)	Was 51814 Includes items (1,2,3,12,14,15,16,17,25)
9	7054247	1	WHEEL ARM ASSEMBLY (Rear Left "P" Models)	Was 51815 Includes items (1,2,3,13,14,15,16,17,25)
10	7031016	1	ARM (Square Axle End)	
11	7031017	1	ARM (Round Axle End)	
12	7032722	1	ARM, Wheel Rear Right "P" Models	
13	7032723	1	ARM, Wheel Rear Left "P" Models	
14	7015761	2	BOLT, 5/16-18 x 1 Shoulder	
15	7011791	2	RETAINER, 5/16 Bolt	
16	7012325	2	LATCH, Height Adjusting	(For Push Models)
17	7027702	2	GRIP, Latch	
18	7036050	1	BRACKET, Right Rear Wheel	(For Push Models)
19	7036049	1	BRACKET, Left Rear Wheel	(For Push Models)
20	7036048	1	BRACKET, Right Rear Wheel	(For Self-prop. "P" Models)
21	7036242	1	BRACKET, Left Rear Wheel	(For Self-prop. "P" Models)
22	7021119	1	AXLE	(For Rear on Push Models also front on all)
23	7011780	2	RING	(For Push Models)
24	7026166	1	GUARD, Rear Foot	Was 37765 (Push Models)
25	7091809	2	PIN, 1/8 x 1-1/2" Cotter	Was 90297
26	7019522	1	GUARD, Rear Foot	(For Self-prop. "P" Models)
27	7012616	1	SUPPORT, Foot Guard	
28	7091604	1	BOLT, 1/4-20 x 1/2 Short Neck Carriage Gr.5	Was 90005
29	7090053	1	WASHER, 1/4 Int. Tooth Lock	Was 91023
30	7091576	1	NUT, 1/4-20 Hex	Was 90063
31	7023791	1	RING	
32	7090391	2	WASHER, 5/16 Int. Tooth Lock	
33	7091511	2	NUT, 5/16-18 Hex	Was 90196

Footnotes:

Front Wheels

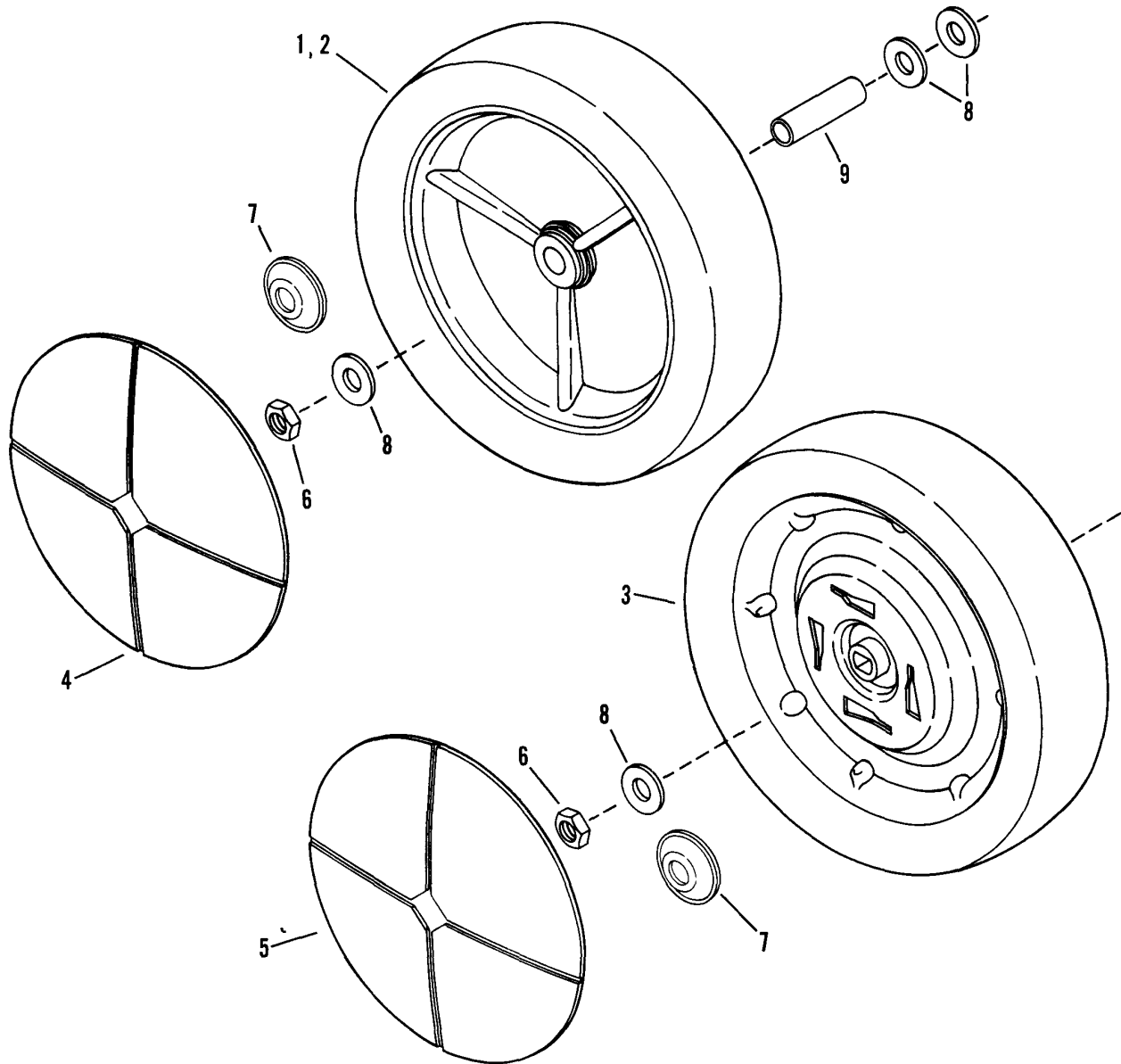


Front Wheels

Item	Part No	Qty	Description	Note
1	7019195	2	WHEEL, 7 x 1.75 Plastic Rim	<i>Was 19333 on "90 Models & Earlier</i>
2	7019381	2	COVER, Wheel	
3	7090377	2	NUT, 7/16-20 Hex Center Lock	
4	7031960	2	CAP, Deep-Dish Hub	
5	7031961	4	WASHER, 7/16 Flat	
6	7012309	2	BUSHING, Axle	

Footnotes:

Rear Wheels

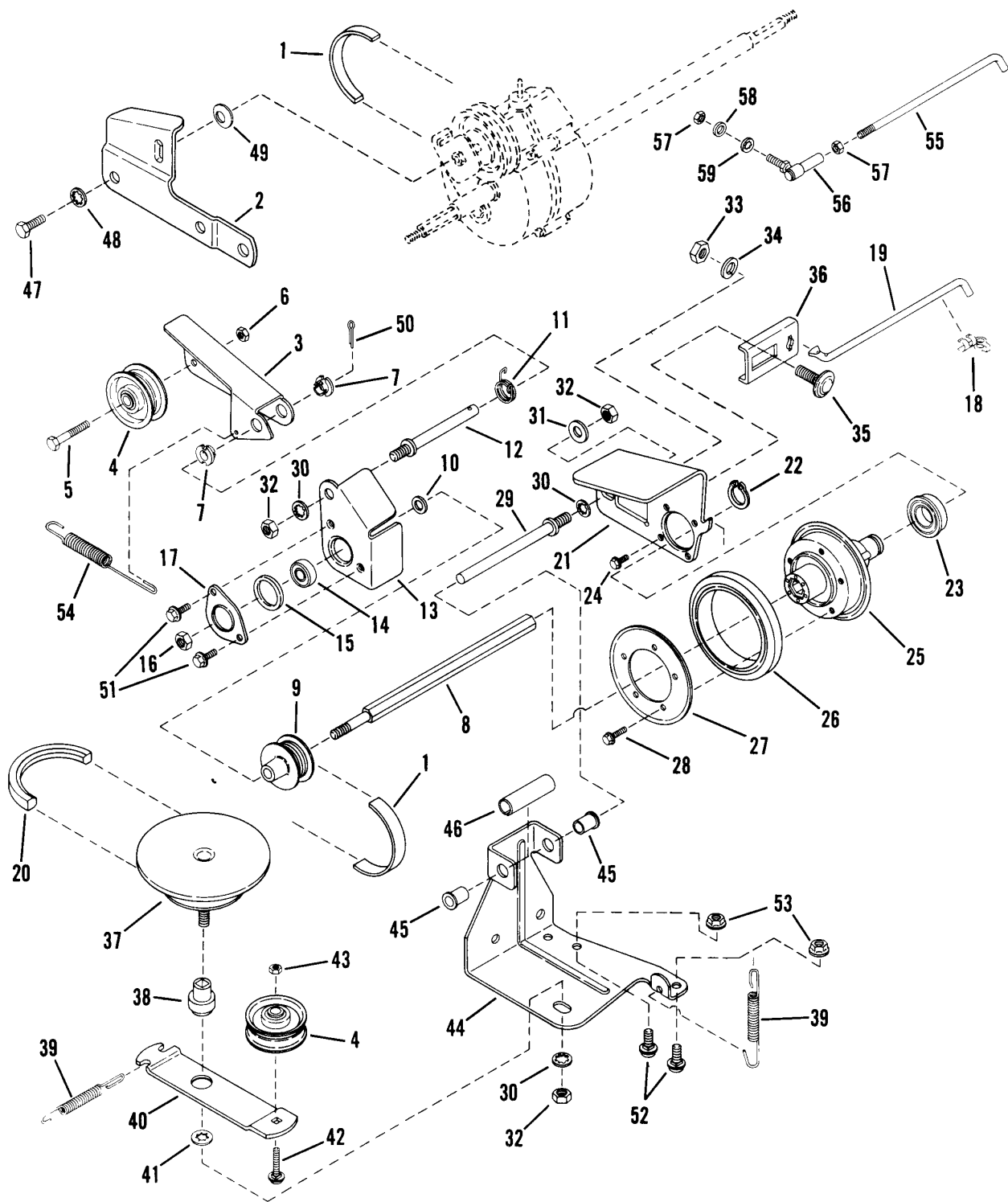


Rear Wheels

Item	Part No	Qty	Description	Note
1	7019420	2	WHEEL, 9 x 2.00 Plastic Rim	Was 19196 or 19334 (For Push Models)
2	7022801	2	WHEEL, 9 x 2.00 Plastic Rim	Was 19335 (For 3.5 H.P. Self-Propelled) ('91 Models & Later)
2	7019421	2	WHEEL, 9 x 2.00 Plastic Rim	Was 19197 (For 3.5 H.P. 1990 Self-Propelled Models & Earlier)
3	7022801	2	WHEEL, 9 x 2.00 Steel Rim	Was 19336 (Self-Propelled)('91 Models & Later)
3	7019201	2	WHEEL, 9 x 2.00 Steel Rim	Was 19198 (Self-Propelled, 1990 Models & Earlier)
4	7019385	2	COVER, Wheel	(For Push & w.5 H.P. Self-Propelled)
5	7019349	2	COVER, Wheel	(For Self-Propelled)
6	7090377	2	NUT, 5/16-18 Hex Center Lock	
7	7031960	4	CAP, Deep-Dish Hub	
8	7031961	4	WASHER, 7/16 Flat	
9	7012309	2	BUSHING, Axle (Push)	

Footnotes:

Drive System - Self Propelled

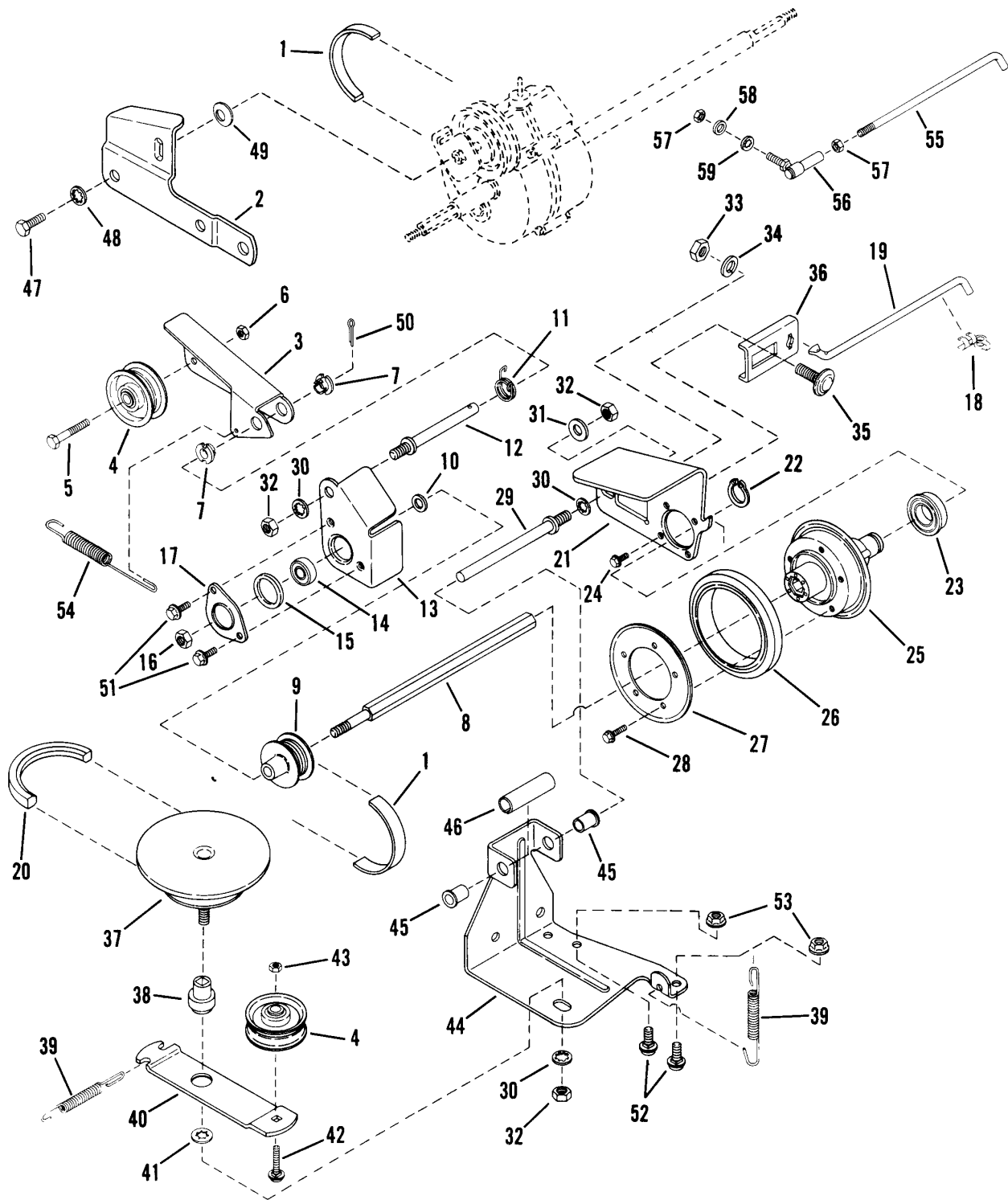


Drive System - Self Propelled

Item	Part No	Qty	Description	Note
1	7012354	1	BELT, Poly-Vee	
2	7034179	1	LINK, Differential	Was 31880
--	7051921	1	ASSEMBLY, Clutch Idler	(Includes items 3 thru 7)
3	7032832	1	ARM, Clutch Idler	
4	7012124	2	PULLEY, Idler	
5	7090552	1	CAPSCREW, 1/4-28 x 1-3/8" Hex Head	
6	7090303	1	NUT, 1/4-28 Hex Lock	
7	7012117	2	BUSHING, 3/8 I.D. Nylon	
8	7072284	1	HEX-SHAFT	Was 23744
9	7019383	1	PULLEY	
10	7012316	1	WASHER	
11	7012126	1	SPRING, Torsion	
12	7012111	1	STUD	
13	7031873	1	HOLDER, Bearing (Inner Half)	
14	7028014	1	BEARING, Ball	Was 12304
15	7011025	1	O-RING	
16	7090289	1	NUT, 3/8 Hex Center Lock	
17	7031809	1	HOLDER, Bearing (Outer Half)	
18	7010937	1	CLIP, 1/4 Right Arc (Transfer Rod)	
19	7023790	1	ROD, Transfer	
20	7012353	1	BELT, Engine Drive	
--	7053225	1	ASSEMBLY, Driven Disc	Was 57444 (Includes 21 thru 28)
21	7038486	1	PLATE, Thrust	
22	7010746	1	RING, Retaining	
23	7026693	1	BEARING, Ball	Was 15474
24	7090981	4	SCREW, #10-32 x 1/4" Self-Tapping Machine	
25	7061276	1	ASSEMBLY, Hub	Was 51616 (Includes 11108 Bushing & 90913 Screws)
26	7023364	1	DRIVEN-RING	
27	7031013	1	PLATE, Ring Retaining	
28	7090913	5	SCREW, #10-24 x 1/2" Hex Washer Self-Tap (Torx)	
29	7012125	1	GUIDE, Thrust Plate	
30	7090390	2	WASHER, 3/8 Internal Tooth Lock	
31	7090122	3	WASHER, 3/8" Flat	
32	7091630	3	NUT, 3/8-24 Hex	Was 90155
33	7091511	1	NUT, 5/16-18 Hex	Was 90196
34	7090187	1	WASHER, 5/16 Split Lock	
35	7090316	1	BOLT, 5/16-18 x 3/4 Carriage	

Footnotes:

Drive System - Self Propelled

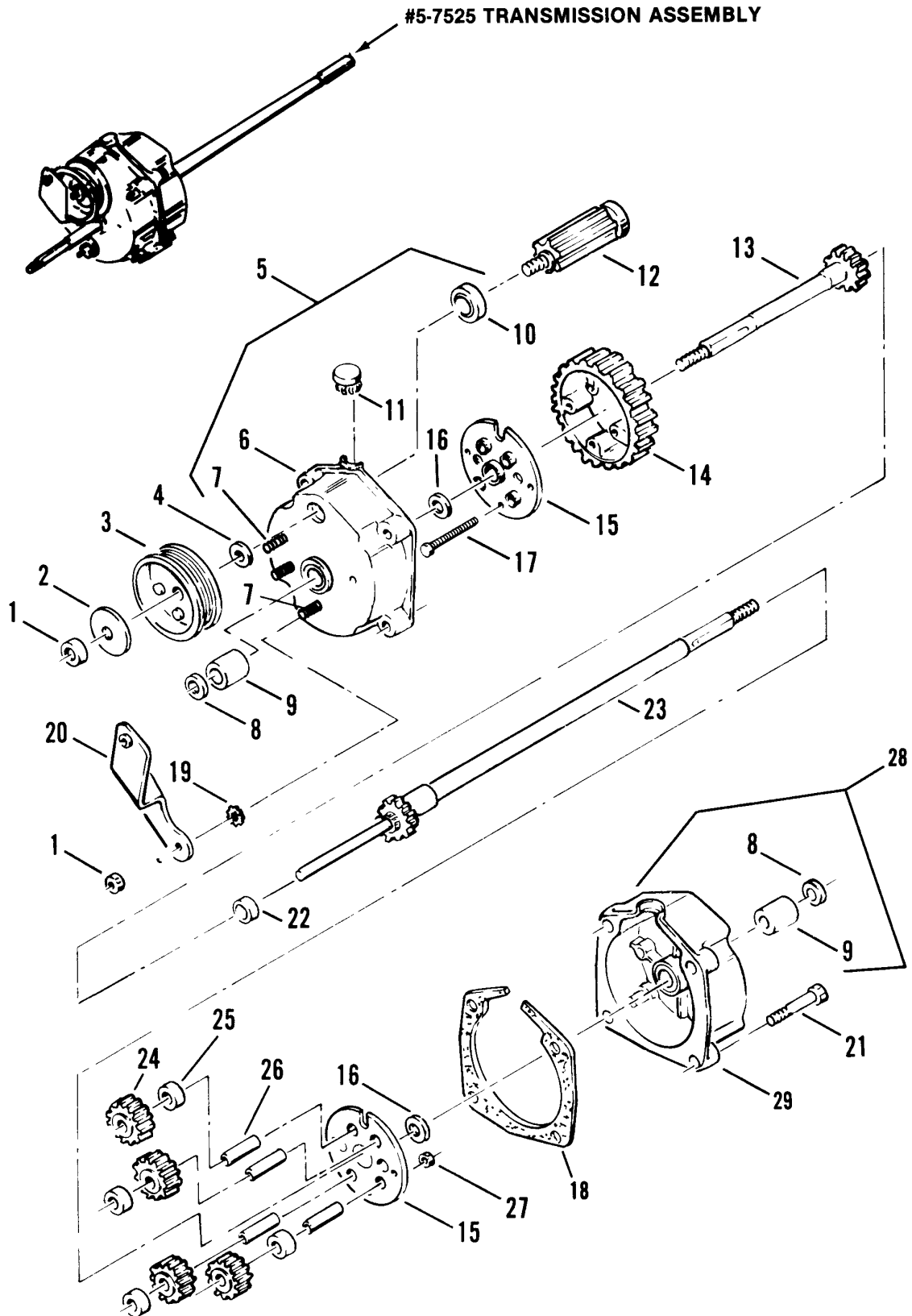


Drive System - Self Propelled

Item	Part No	Qty	Description	Note
36	7032831	1	CONNECTOR, Transfer Rod	
37	7061275	1	ASSEMBLY, Drive-Disc	<i>(Includes item 38)(Was 60710)</i>
38	7013893	1	BUSHING	
39	7029025	2	SPRING (Wheel Drive & Idler)	<i>Was 17326</i>
40	7032116	1	ARM, Idler	
41	7013847	1	RETAINER, 3/8 Bolt	
42	7090078	1	BOLT, 1/4-20 x 1-1/4" Carriage	
43	7090372	1	NUT, 1/4-20 Hex Center Lock	
--	7050751	1	ASSEMBLY, Deck Bracket	<i>(Includes items 44 thru 46)</i>
44	7033774	1	BRACKET, Deck	<i>Was 31919 (Now 17696 + 33774)</i>
45	7012306	2	BUSHING, Flange	
46	7021758	1	SPACER	
47	7090534	1	SCREW, 5/16-18 x 1/2" Hex Head Cap	
48	7090391	1	WASHER, 5/16 Internal Tooth Lock	
49	7011079	1	WASHER, Spring	
50	7091597	1	COTTER-PIN, 3/32 x 1/2"	<i>Was 90555</i>
51	7091122	2	SCREW, 1/4-20 x 1/2" Self-Tapping	<i>Was 90539</i>
52	7090731	2	BOLT, 5/16-18 x 5/8" Short Neck Carriage	
53	7091601	2	NUT, 5/16-18 Hex Flange Lock	<i>Was 90585</i>
54	7012122	1	SPRING, Clutch	
55	7015752	1	LINK, Transfer	<i>Used on Electric Start models only.</i>
56	7015753	1	JOINT, Ball	<i>Used on Electric Start models only.</i>
57	7090095	2	NUT, 1/4-28 Hex	<i>Used on Electric Start models only.</i>
58	7091294	1	WASHER, 1/4 Flat	<i>Was 90055 (Used on Electric Start models only.)</i>
59	7090053	1	WASHER, 1/4 Internal Tooth Lock	<i>Used on Electric Start models only.</i>

Footnotes:

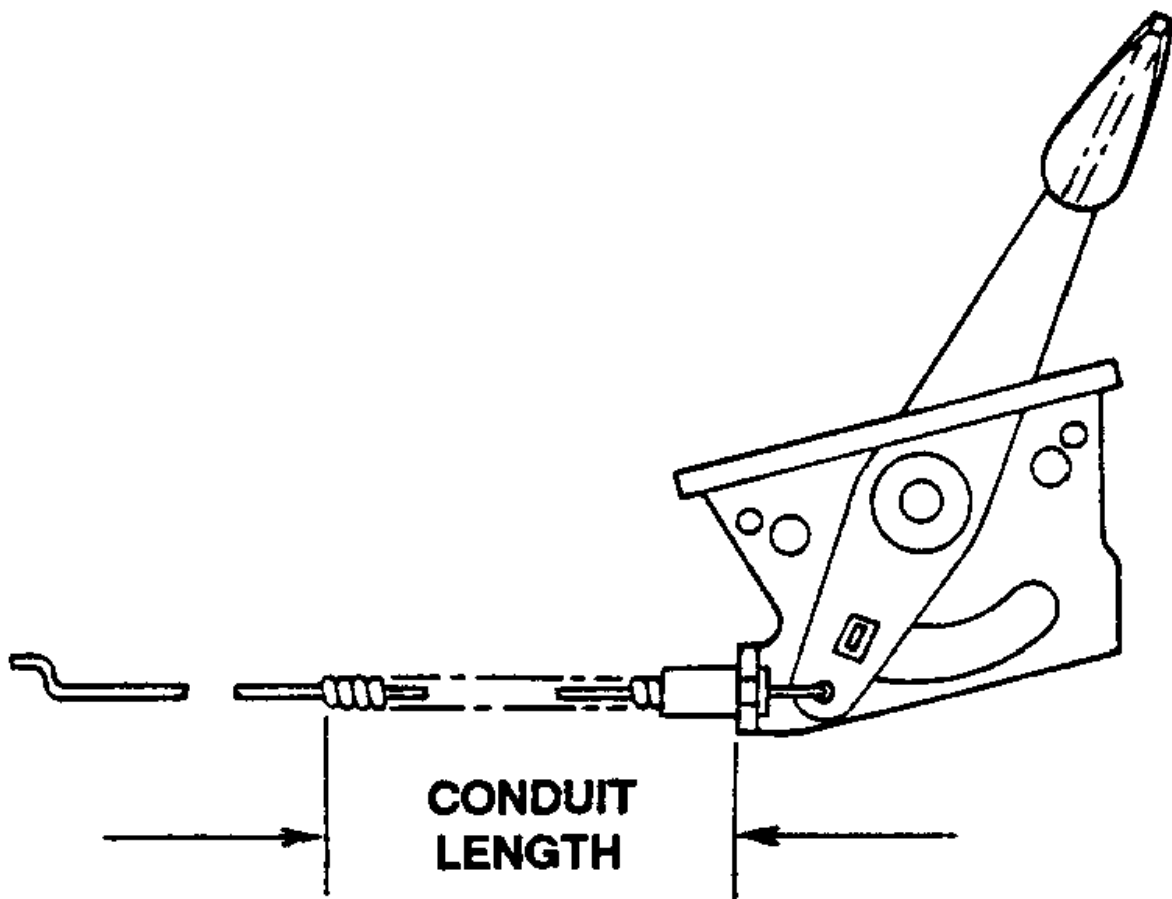
Transmission (Differential)



Transmission (Differential)

Item	Part No	Qty	Description	Note
--	7059070	1	ASSEMBLY, Transmission	Was 57525 (Includes 1 thru 29)
1	7092062	3	NUT, 5/16-24 Hex Lock, GR C	Was 11201
2	7011132	1	WASHER, Spring	
3	7019213	1	PULLEY, Poly-Vee Belt	
4	7011724	1	WASHER, Spring	
5	7053942	1	HOUSING ASSEMBLY, Right	Was 59794 (Includes 6 thru 10)
6	7051908	1	HOUSING, Right Side	Was 17080
7	7014155	3	SCREW, 5/16-24 x 1-1/8" Rib Neck	
8	7012314	2	SEAL, 5/8" ID	
9	7012507	2	BEARING, Differential	
10	7073963	2	BEARING, Ball	Was 11767
11	7016544	1	PLUG, Housing	Was 11133
12	7050767	1	GEAR, Input	Includes one of #10)
13	7050830	1	AXLE, Short	
14	7012495	1	GEAR, Differential, 46 Tooth	
15	7031970	2	PLATE	
16	7031965	2	WASHER, Thrust	
17	7090557	4	SCREW, Cap, 10-32 x 1-1/2"	
18	7011774	1	GASKET, Housing	
19	7090189	3	WASHER, 5/16" Internal External Tooth Lock	
20	7051903	1	BRACKET, Differential	
21	7090911	4	SCREW, 1/4-20 x 1-1/4 Self-Tapping	
22	7012543	1	SPACER, Axle Gear	
23	7050831	1	AXLE, Long	
24	7021115	4	GEAR, Pinion, 12 Tooth	
25	7012500	4	SPACER, Pinion Gear	
26	7011110	4	SHAFT, Pinion	
27	7090376	4	LOCKNUT, 10-32	
28	7053939	1	HOUSING ASSEMBLY, Left	Was 57523 (Includes 8, 9 & 29)
29	7057634	1	HOUSING, Left Side	Was 17015

Footnotes:



Throttle Controls - Series 7

Item	Part No	Qty	Description	Note
--	7019254	1	Conduit Length, 45.0" - Briggs 4 Cycle	<i>For '90 Models & Earlier</i>
--	7023829	1	Conduit Length, 62.0" - Tecumseh 2 Cycle	<i>For '90 Models & Earlier</i>
--	7016565	1	Conduit Length, 58.0" - Briggs 4 Cycle	<i>For '91 Models & Earlier</i>
--	7016705	1	Conduit Length, 44.25" - Tecumseh 4 Cycle	<i>For '91 Models & Earlier</i>
--	7016706	1	Conduit Length, 62.0" - Tecumseh 2 Cycle	<i>For '91 Models & Earlier</i>
--	7016798	1	Conduit Length, 44.0" - Robin 2 Cycle	<i>For '91 Models & Earlier</i>

Footnotes:

SNAPPER

BLADE CONTROL
LIFT BEFORE STARTING ENGINE
RELEASE TO STOP ENGINE

WARNING
TO PREVENT INJURY.

STOP ENGINE BY RELEASING BLADE CONTROL OR BY MOVING ENGINE CONTROL TO STOP BEFORE:

- REMOVING BAG or CLEANING GRASS.
- ADJUSTING or CLEANING MOWER.
- PLACING HANDS or FEET NEAR BOTTOM OF BLADE HOUSING.


FOLLOW SAFETY INSTRUCTIONS IN OPERATOR'S MANUAL.

STARTING PROCEDURE

- Set ENGINE CONTROL to START or CHOKE.
- Hold BLADE CONTROL firmly up to HANDLE.
- Move KEYSWITCH to START.

IF ENGINE DOES NOT CRANK:

- Repeat Steps 1 & 2 above.
- Place FOOT on top of REAR WHEEL.
- Pull ROPE STARTER.



DANGER
KEEP HANDS and FEET AWAY



WARNING
TO PREVENT INJURY.


STOP ENGINE BY RELEASING BLADE CONTROL OR BY MOVING ENGINE CONTROL TO STOP BEFORE:

- REMOVING BAG or CLEANING GRASS.
- ADJUSTING or CLEANING MOWER.
- PLACING HANDS or FEET NEAR BOTTOM OF BLADE HOUSING.

FOLLOW SAFETY INSTRUCTIONS IN OPERATOR'S MANUAL.

STARTING PROCEDURE

- Set ENGINE CONTROL to START or CHOKE.
- Hold BLADE CONTROL firmly up to HANDLE.
- Stand CLOSE to SIDE of HANDLE.
- Place FOOT on top of REAR WHEEL.
- Pull STARTER ROPE.



NOTE: SEE NEXT PAGE FOR MORE DECALS.

Decals (Part 1)

Item	Part No	Qty	Description	Note
1	7013010	1	DECAL, Danger	
2	7023745	1	DECAL, Blade Control	
3	7023870	1	DECAL, Warning	
4	7044640	1	DECAL, SNAPPER	<i>Was 19279</i>
5	7016191	1	DECAL, Warning & Starting	

Footnotes:



1



7



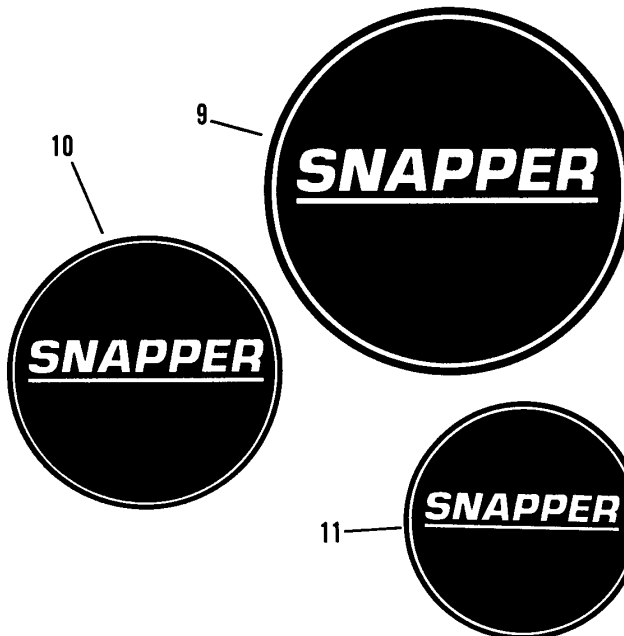
2



8



3



9

10

11



4



5



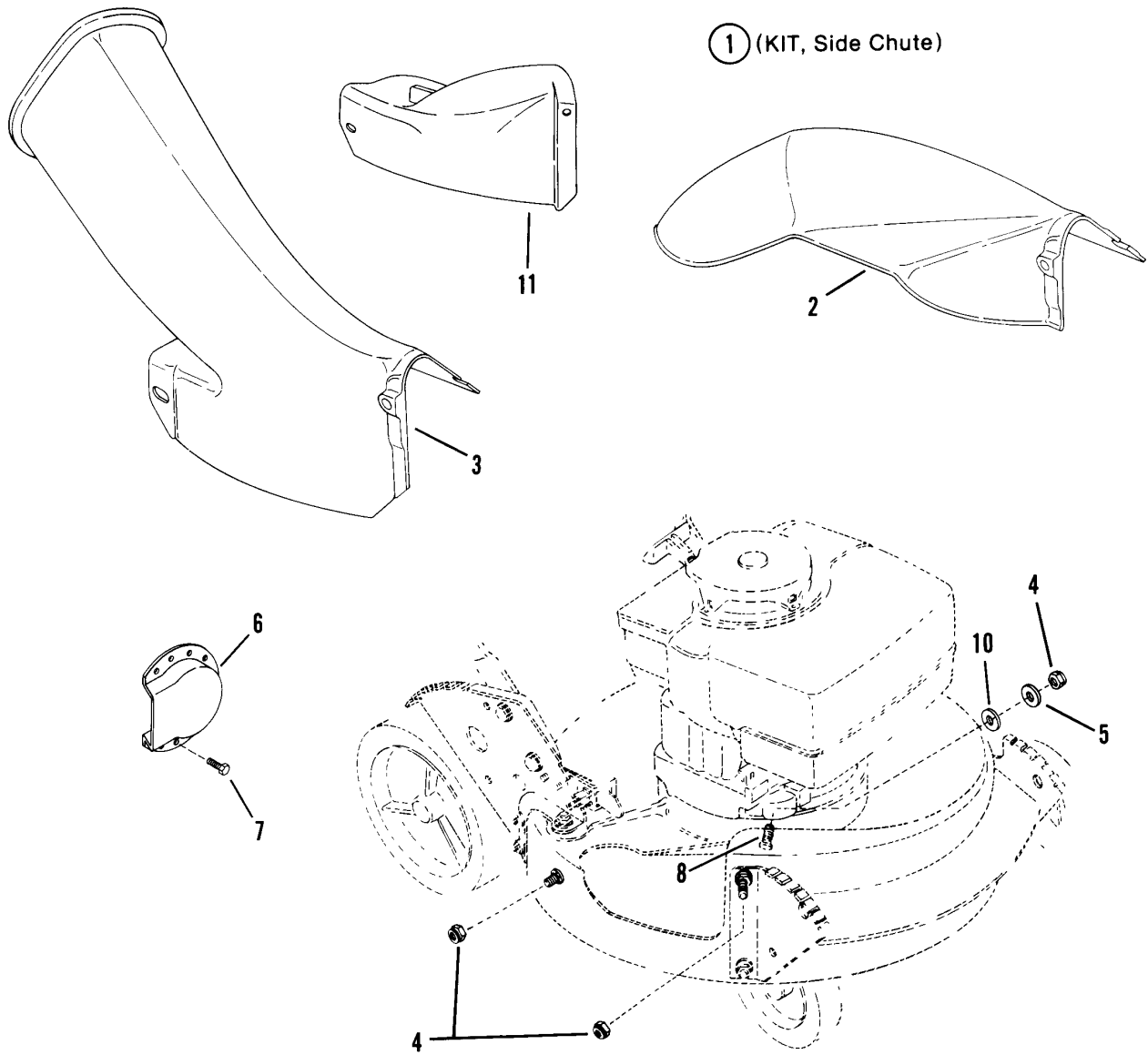
6

Decals (Part 2)

Item	Part No	Qty	Description	Note
1	7017300	1	NLA - DECAL, Housing	
2	7017303	1	NLA - DECAL, Housing	
3	7017298	1	NLA - DECAL, Housing	
4	7017297	1	NLA - DECAL, Housing	
5	7017305	1	NLA - DECAL, Housing	
6	7017295	1	NLA - DECAL, Housing	
7	7017302	1	NLA - DECAL, Housing	
8	7017306	1	NLA - DECAL, Housing	
9	7017301	1	NLA - DECAL, Recoil (3.85 O.D.)	
10	7017304	1	NLA - DECAL, Recoil (3.35 O.D.)	
11	7017294	1	NLA - DECAL, Recoil (2.575 O.D.)	

Footnotes:

Side Chute, Adapter

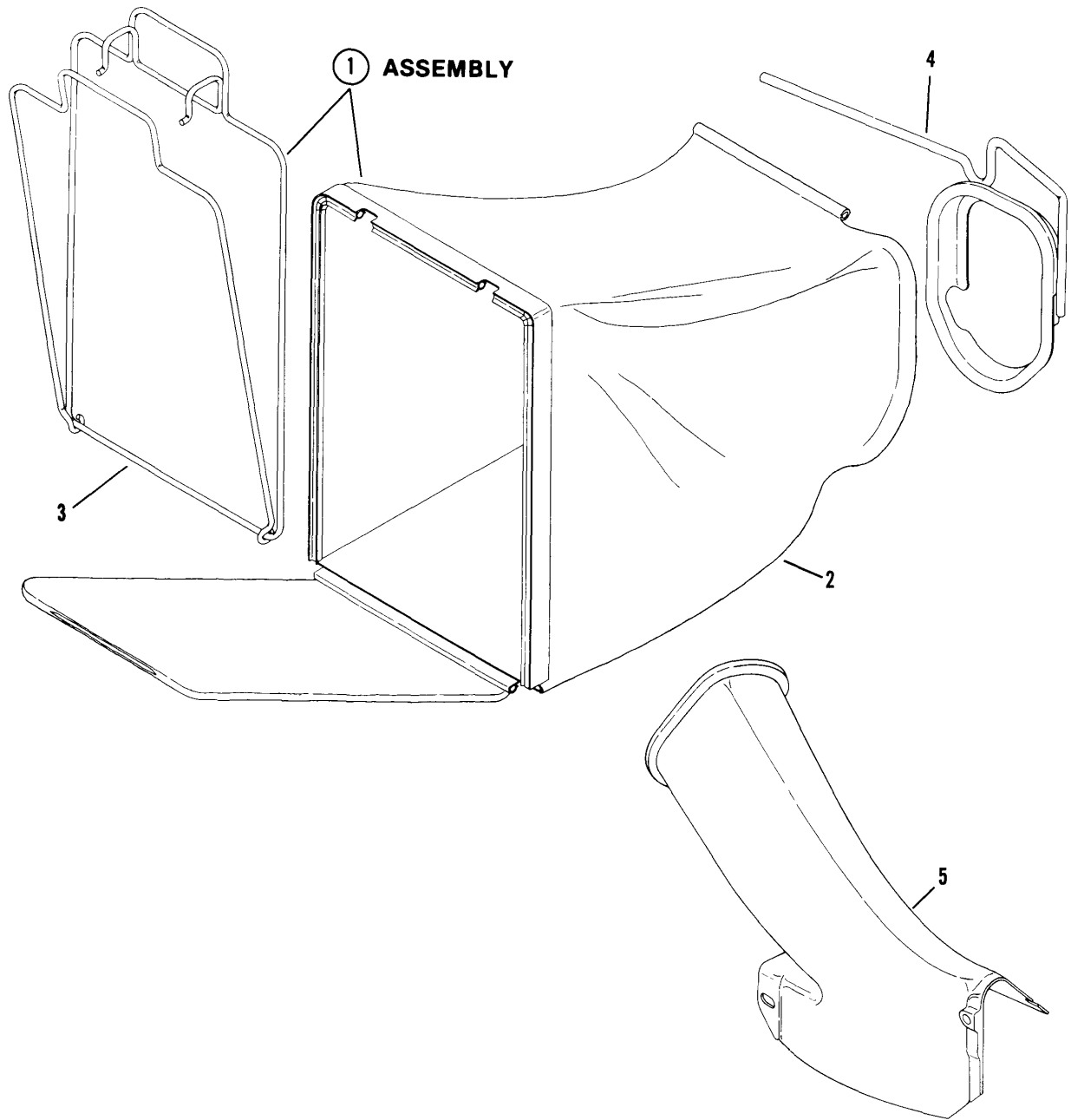


Side Chute, Adapter

Item	Part No	Qty	Description	Note
1	7060955		NLA - KIT, Side Chute	<i>(Included 10 per box of item 2)</i>
2	7042965	1	CHUTE, Side	<i>Was 16090</i>
3	7016050	1	ADAPTER, Grass Bag Deck	
4	7090951	3	NUT, 5/16-18 Hex Flange Lock	
5	7090188	1	WASHER, 5/16 Flat	
6	7023152	1	DEFLECTOR, Muffler	
7	7023023	3	SCREW, #8-18 x 3/8" Hex Head Cap	
8	7090316	2	BOLT, 5/16-18 x 3/4" Carriage	<i>Was 91097</i>
9	7011791	2	RETAINER, 5/16 Bolt	
10	7090122	1	WASHER, 5/16 Flat	
11	7029149	1	COVER, Deck	<i>Was 16111 (For Recycling Models)</i>

Footnotes:

Grass Bag

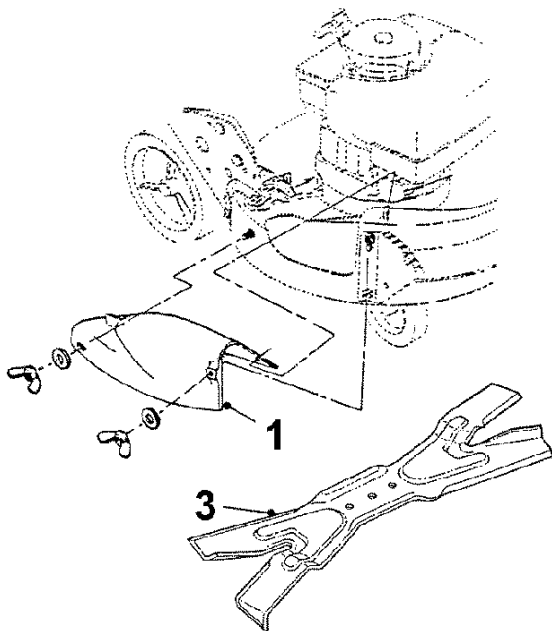


Grass Bag

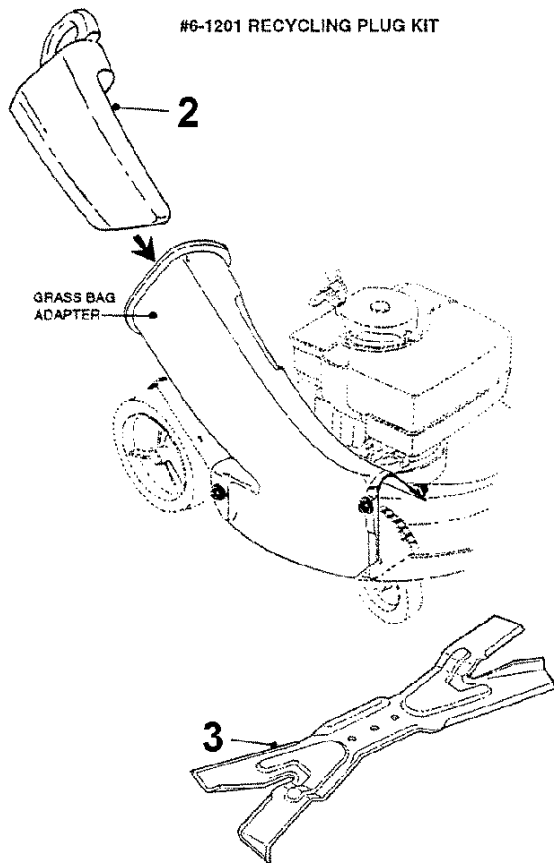
Item	Part No	Qty	Description	Note
--	7060935	1	KIT, Grass Bag Catcher	<i>(Incl. items 1 thru 4)</i>
1	7059322	1	ASSEMBLY, Grass Bag	<i>Was 51899 (Incl. items 2 and 3)</i>
2	7017069	1	BAG, Door Type (Charocoal)	
3	7051906	1	ASSEMBLY, Bag Wire	
4	7042489	1	CONNECTOR, Grass Bag	<i>Was 47969</i>
5	7016050	1	ADAPTER, Bag	

Footnotes:

#6-1200 RECYCLING COVER KIT



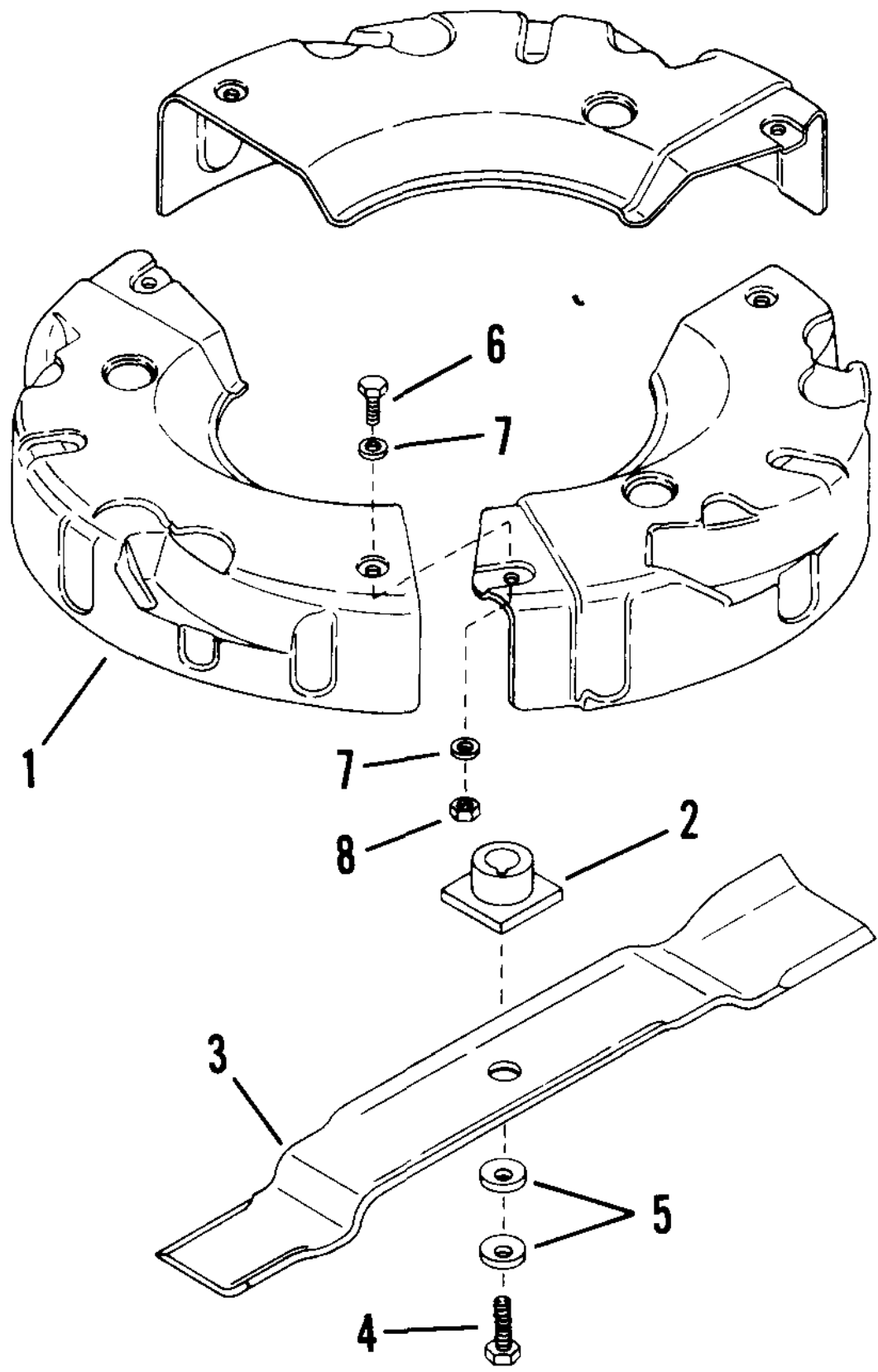
#6-1201 RECYCLING PLUG KIT



Accessories - Recycling Kits

Item	Part No	Qty	Description	Note
--	7061200	1	KIT, Recycling Cover	<i>Was 61030 (Includes items below)</i>
--	7061201	1	KIT, Recycling Plug	<i>Was 61032 (Includes items below)</i>
1	7029149	1	COVER, 21" Deck	<i>Was 16111</i>
2	7016814	1	PLUG, Chute Adapter	
3	7017168	1	BLADE, 21"	

Footnotes:

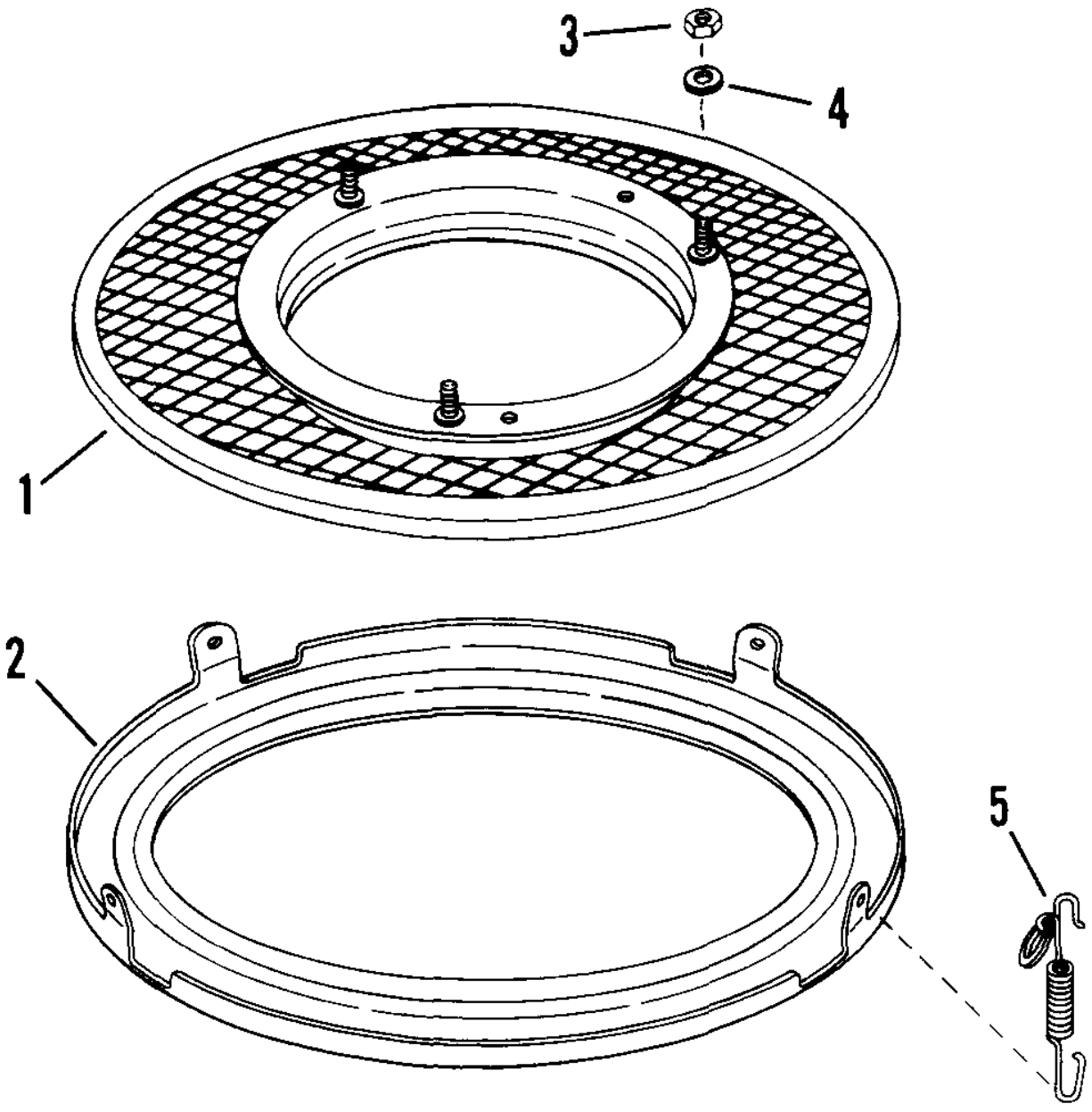


21" Hi-Vac Mulcherizer Kits

Item	Part No	Qty	Description	Note
--	7060842		* NLA - KIT, Mulcherizer (For 7/8" Crankshaft)	<i>(Includes 1 thru 8)</i>
--	7060420		* NLA - KIT, Mulcherizer (For 25mm Crankshaft)	<i>(Includes 1 thru 8)</i>
1	7019814	3	LINER	
2	7013870	1	HUB, 7/8" I.D.	
2	7015936	1	HUB (25mm I.D.)	
3	7019521	1	BLADE, Mulcherizer	
4	7090483	1	SCREW, 3/8-24 x 1 3/4" Hex Head Cap (Gr.5)	
5	7012063	2	WASHER, Cone	
6	7090100	3	SCREW, 1/4-28 x 5/8" Hex Head Cap (Gr.5)	
7	7091294	6	WASHER, 1/4 Flat	<i>Was 90055</i>
8	7090303	3	NUT, 1/4-28 Hex Lock	

Footnotes:

NOTE:* Use either 7016814 Chute Plug or 7061200 Cover

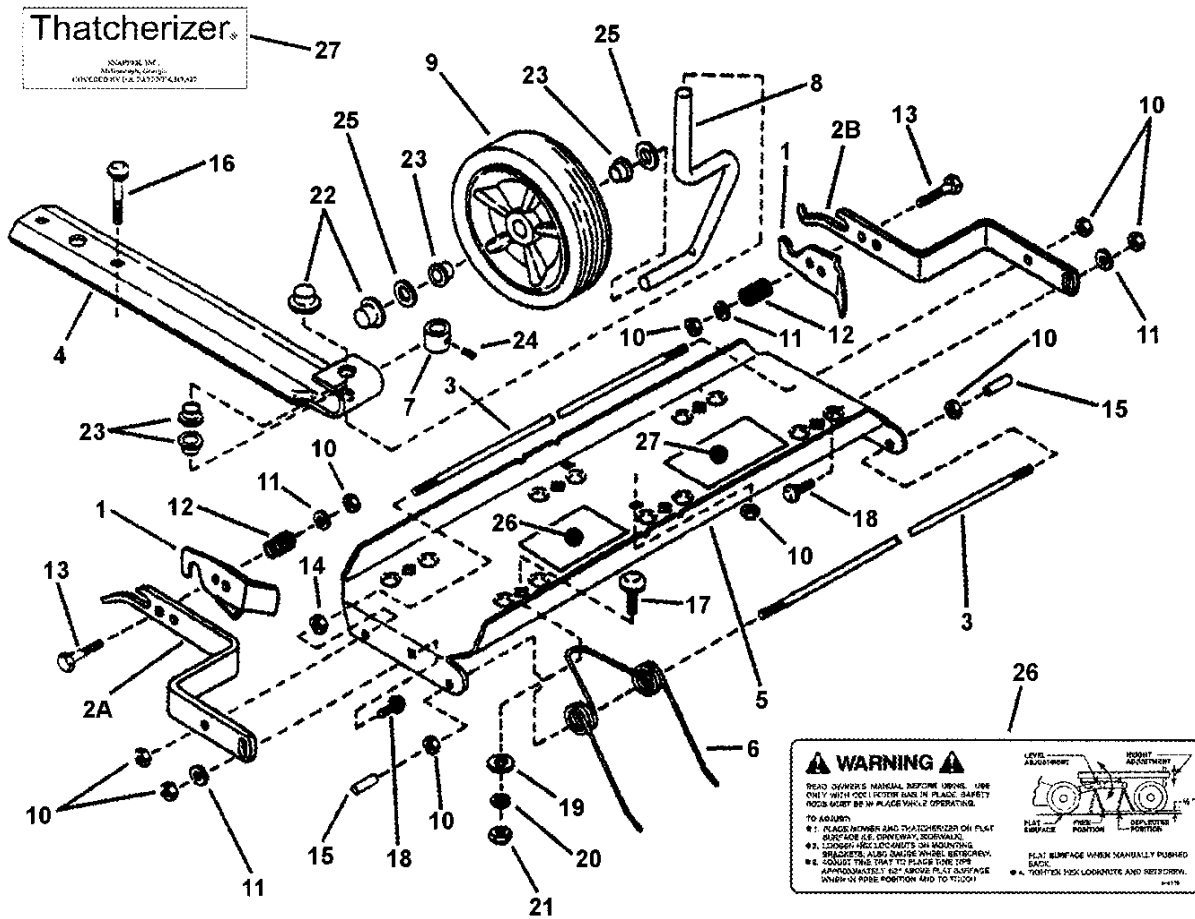


Accessory - Snapperizer

Item	Part No	Qty	Description	Note
--	7060440	1	KIT, Snapperizer	<i>(Includes items 1 thru 5)</i>
1	7051243	1	SCREEN, Fastener Assembly	
2	7039759	1	RING, Bottom	
3	7091297	3	NUT, 5/16-24 Hex	<i>Was 90223</i>
4	7090187	3	WASHER, 5/16 Split Lock	
5	7012587	4	SPRING	

Footnotes:

Accessory - Thatcherizer



Accessory - Thatcherizer

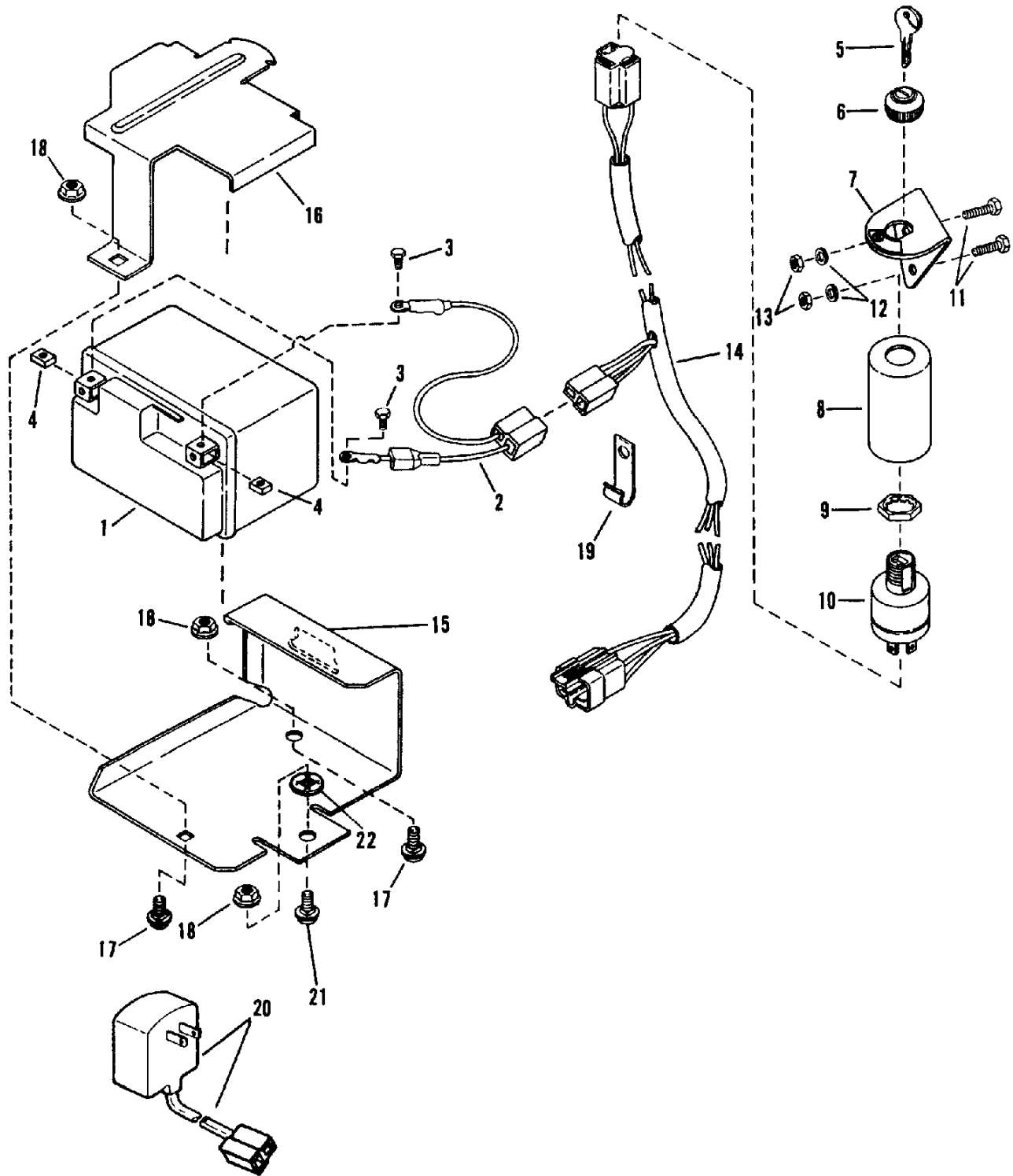
Item	Part No	Qty	Description	Note
--	7061256		KIT, Thatcherizer (Includes items listed below)	<i>Recommended for propelled models only.</i>
1	7032891	2	** LATCH, Frame Attachment	
2A	7026572	1	BAR, Mount (Right Hand)	
2B	7026573	1	BAR, Mount (Left Hand)	
3	7018499	2	ROD, Tine	
4	7018700	1	SUPPORT, Wheel	
5	7019948	1	TRAY, Tine	
6	7018496	6	KIT, Tine Thatching Spring	<i>Was 60574</i>
7	7014100	1	** BUSHING, Wheel Adjuster	
8	7018493	1	** AXLE, Wheel	
9	7018189	1	WHEEL, 7.00 x 1.50 Gage	
10	7091705	10	* NUT, 1/4-20 Hex Top Lock	<i>Was 90761, only 9 shown</i>
11	7091294	4	* WASHER, 1/4" Flat	<i>Was 90055</i>
12	7022425	2	** SPRING, Compression	
13	7090825	2	* BOLT, 1/4-20 x 1-1/4" Hex, GR 5	
14	7091576	2	* NUT, 1/4-20 Hex, GR 5	<i>Was 90063</i>
15	7022424	2	** CAP, Vinyl	
16	7090015	2	* BOLT, 1/4-20 x 2-1/2" Square Neck Carriage	<i>only 1 shown</i>
17	7091303	6	* BOLT, 5/16-18 x 1" Square Neck Carriage, GR 5	<i>Was 90383, only 1 shown</i>
18	7091530	2	* BOLT, 1/4-20 x 3/4" Square Neck Carriage, GR 5	<i>Was 90074</i>
19	7014098	6	* WASHER, Reinforcing (.343 I.D.)	<i>only 1 shown</i>
20	7090187	6	* WASHER, 5/16" Split Lock	<i>only 1 shown</i>
21	7091511	6	* NUT, 5/16-18 Hex, GR 5	<i>Was 90196, only 1 shown</i>
22	7014101	2	** NUT, 1/2" Push	
23	7014342	4	** BEARING, Nylon	
24	7014103	1	** SET SCREW, 5/16-18 x 1/4"	<i>slotted headless cup point</i>
25	7090250	2	WASHER, 1/2" Flat	
26	7014115	1	DECAL, Adjustment	
27	7014062	1	DECAL, Thatcherizer	
--	7060554	1	NLA - HARDWARE BAG, Thatcherizer 21" (Std.)	<i>Not shown</i>
--	7060555	1	NLA - HARDWARE BAG, Thatcherizer 21" (Special)	<i>Not shown</i>
--	7026700	1	MANUAL, Operator's (61256)	<i>Not shown</i>

Footnotes:

* Included in Hardware Bag # 60554

** Included in Hardware Bag # 60555

Electric Start Group



Electric Start Group

Item	Part No	Qty	Description	Note
1	7067012	1	KIT, Battery, 12 Volt, 35 CCA (Includes 1, 2, 3, & 4)	Was 19763
2	7015488	1	HARNESS, Battery	
3	7043977	2	SCREW, #10-24 x 1/2 Hex Head Cap	
4	7090932	2	NUT, #10-24 Square	
5	7011167	2	KEY, (Set of 2)	
6	7015207	1	ASSEMBLY, Seal & Face Nut	
7	7038485	1	BRACKET, Ignition Switch	
8	7023894	1	COVER, Switch	
9	7015206	1	NUT, 3/4-20 Lock	
10	7011139	1	SWITCH, Ignition	Was 15205
11	7090552	2	SCREW, 1/4-28 x 1 3/8" Hex Head Cap	
12	7090053	2	WASHER, 1/4 Internal Tooth Lock	
13	7090095	2	NUT, 1/4-28 Hex	
14	7019298	1	HARNESS, Wiring 60"	Was 17213, 46" on "90 Models & Earlier)
15	7032906	1	BRACKET, Battery	(For Self-Propelled Models)
16	7036132	1	COVER, Battery	(For Self-Propelled Models)
17	7090731	3	BOLT, 5/16-18 x 1/2" Carriage	
18	7091601	3	NUT, 5/16-18 Hex Flange Lock	Was 90585
19	7012652	2	CLIP, Wiring	
20	7061188	1	CHARGER, Battery (60 Hertz)	Was 18834
21	7090779	1	BOLT, 5/16-18 x 5/8" Short Neck. Carriage, Gr. 5	
22	7011791	1	RETAINER, 5/16" Bolt	

Footnotes:

Parts Manual for

SNAPPER®

21" STEEL DECK WALK BEHIND MOWER SERIES 7

IT IS THE POLICY OF BRIGGS & STRATTON CORP TO IMPROVE ITS PRODUCTS WHENEVER IT IS POSSIBLE AND PRACTICAL TO DO SO. WE RESERVE THE RIGHT TO MAKE CHANGES OR ADD IMPROVEMENTS AT ANY TIME WITHOUT INCURRING ANY OBLIGATION TO MAKE SUCH CHANGES ON PRODUCTS

SNAPPER® McDonough, GA, 30253 U.S.A.