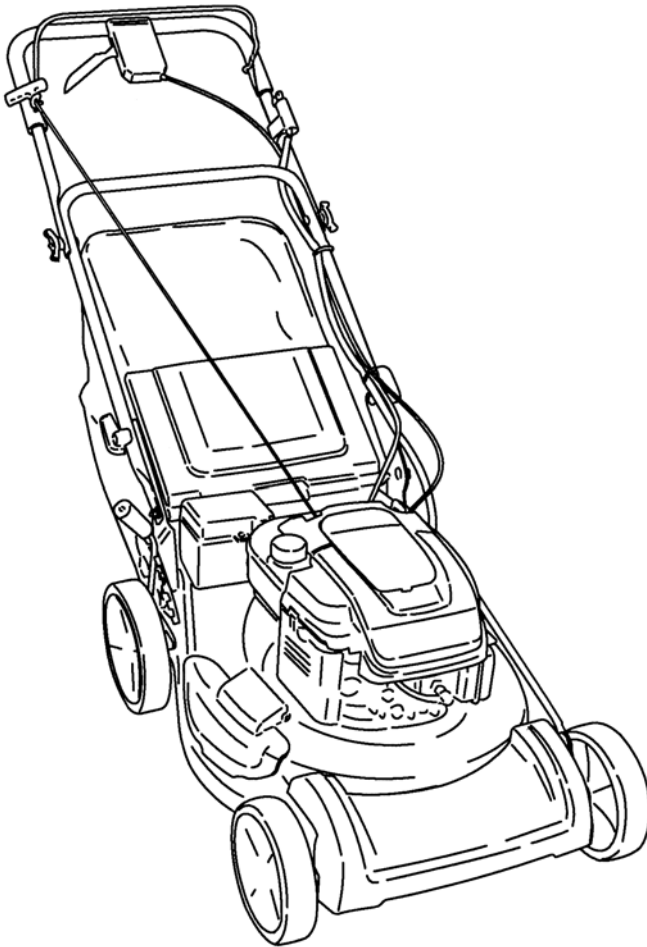


Parts Manual for
SNAPPER®

**21" VARIABLE SPEED
REAR DISCHARGE MOWERS**

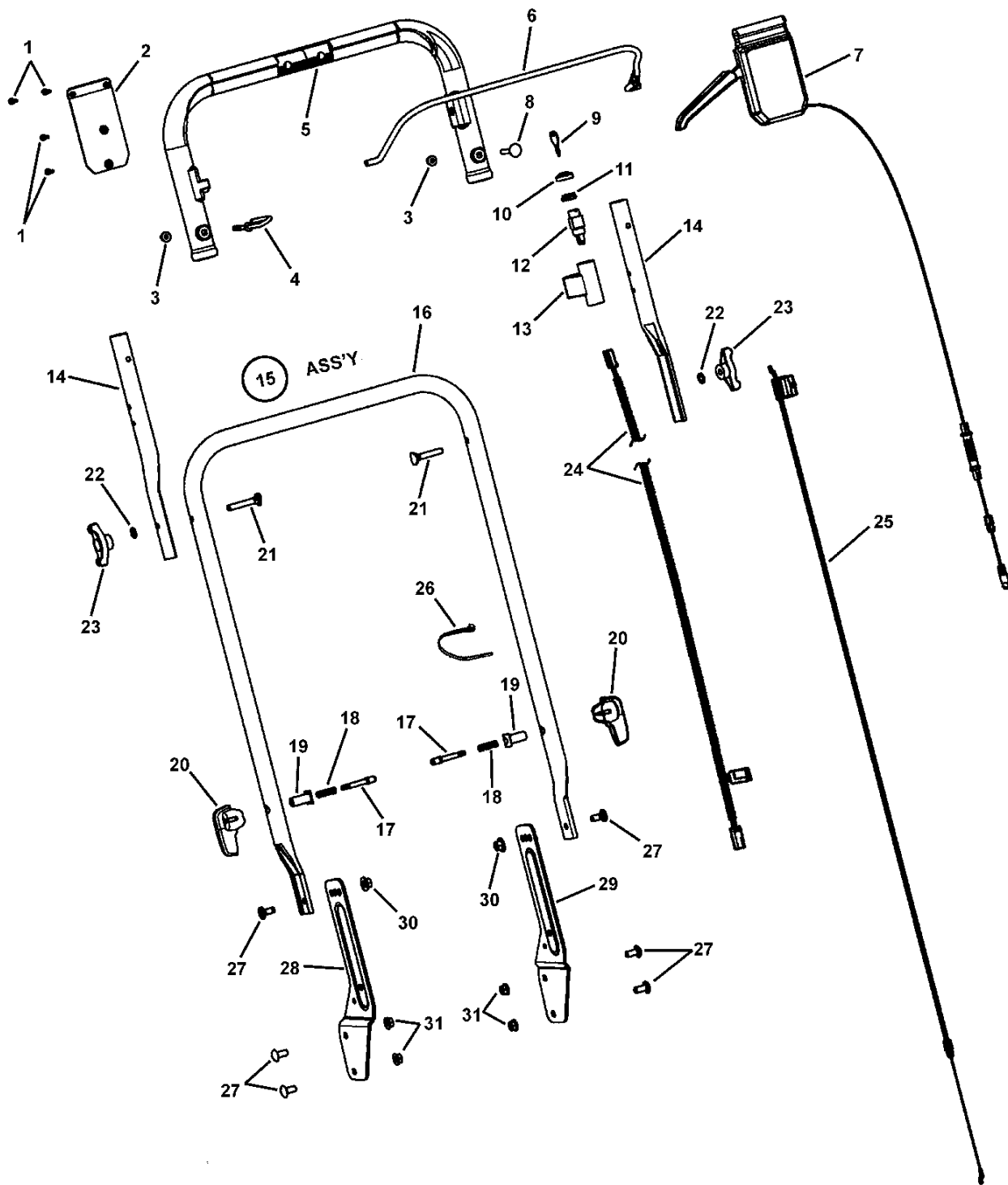


MODEL

NSPV21675 (7800231)
NSPV21675E (7800232)
SPV21675 (7800179)
SPV21675E (7800195)

SNAPPER® McDonough, GA, 30253 U.S.A.

| PAGE | GROUP |
|-------------|------------------------------------|
| 4 | Handles and Controls (NSPV21) |
| 6 | Deck Assembly (NSPV21) |
| 10 | Engine and Blade Assembly (NSPV21) |
| 12 | Front and Rear Wheels (NSPV21) |
| 14 | Transmission (21") |
| 16 | Decals (21") |
| 18 | Wiring Schematic |

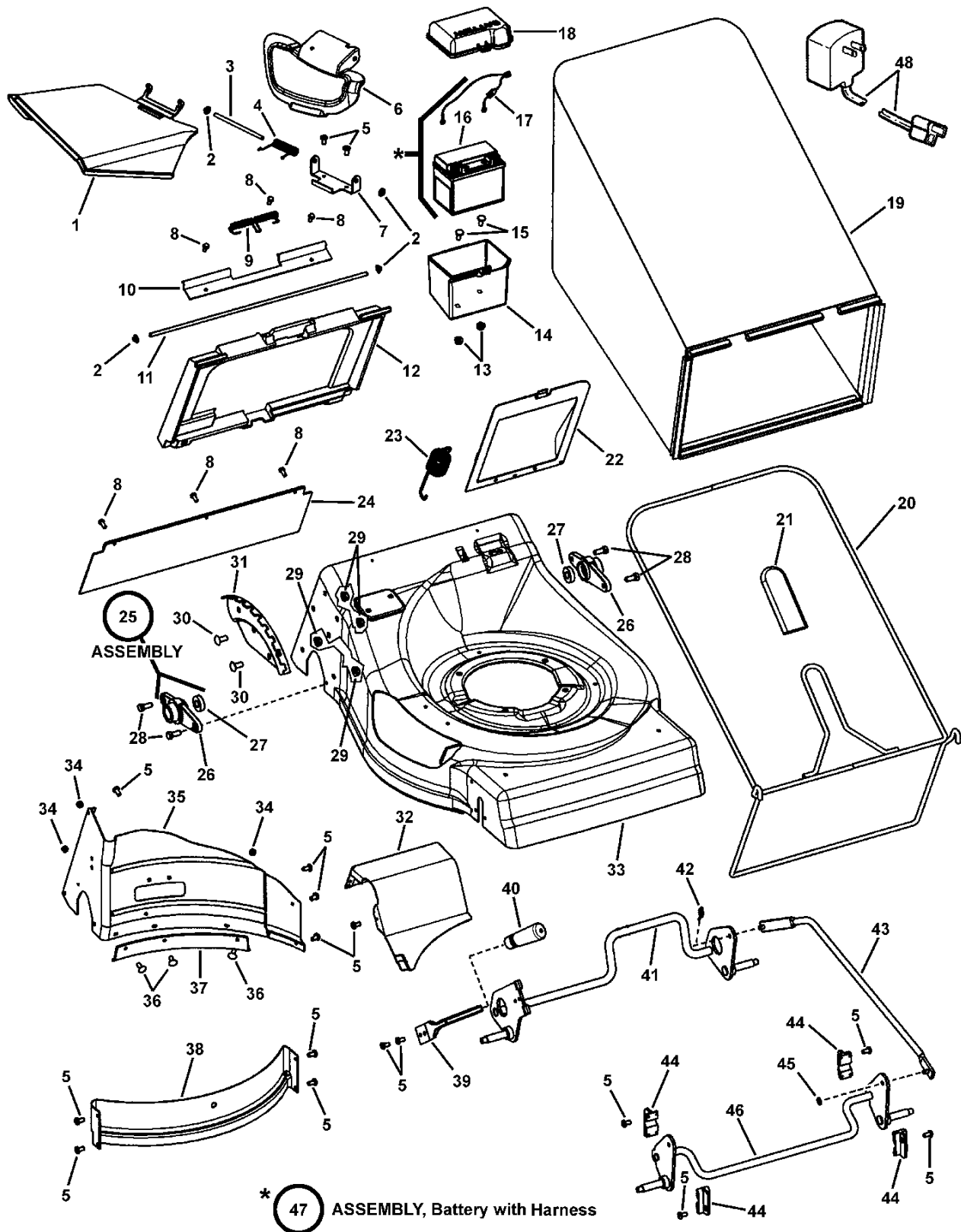


Handles and Controls (NSPV21)

| Item | Part No | Qty | Description | Note |
|------|-----------|-----|---|------|
| 1 | 7100225 | 4 | #8-16 TORXPLUS RECESSED PAN HEAD, TWIN HELIX | |
| 2 | 7300670A | 1 | PLATE, CONTROL PANEL - PLASTIC HANDLE | |
| 3 | 2860694 | 2 | NUT, HEX FLANGE, 1/4-20, ESNA,YZ | |
| 4 | 7101410 | 1 | GUIDE, ROPE | |
| 5 | 7101312 | 1 | HANDLE, PLASTIC UPPER, WBM | |
| 6 | 7101321BH | 1 | BAIL, PLASTIC HANDLE, WBM | |
| 7 | 7101416 | 1 | ASSY, CONTROL HEAD, 21" WBM, RD, SNAPPER (includes 4 items below) | |
| | 7100259 | 1 | BOTTOM BOX - BLACK (N/A Separately) | |
| | 7101398 | 1 | CABLE, DRIVE, 21" WBM, RD, SNAPPER | |
| | 7101404 | 1 | CASE HALF, TOP - VARIABLE SPEED (N/A Separately) | |
| | 7101408 | 1 | CLUTCH LEVER - WBM - VARIABLE SPEED | |
| 8 | 7090015 | 1 | RHSNB, 1/4CX1-3/4 GR2 YELLOW ZINC | |
| 9 | 7011138 | 1 | IGNITION KEY PR | |
| 10 | 7100330 | 1 | CAP, E-START | |
| 11 | 7100329 | 1 | NUT, 5/8"-32 E-START | |
| 12 | 7028765 | 1 | SWITCH, E/S (START/RUN) | |
| 13 | 7100328 | 1 | HOUSING, SNAP-ON E-START | |
| 14 | 7300649BH | 2 | HANDLE, CONNECTING 21"/22" WBM | |
| 15 | 7500538 | 1 | ASSY, LOWER HANDLE, 21" WBM, RD (includes items 16 thru 20 below) | |
| 16 | 7300639BH | 1 | HANDLE, LOWER, 21" WBM, RD | |
| 17 | 7101198 | 2 | PIN, HANDLE ADJUST | |
| 18 | 7101200 | 2 | SPRING, COMPRESSION | |
| 19 | 7101199 | 2 | BUSHING, HANDLE PIN | |
| 20 | 7101202 | 2 | KNOB, QUICK RELEASE | |
| 21 | 7091189 | 2 | CHSNB, 5/16-18 X 2 GR2 | |
| 22 | 7090391 | 2 | ITLW 5/16 | |
| 23 | 7035744 | 2 | KNOB, 5/16-18 WING (BLACK) | |
| 24 | 7101504 | 1 | WIRE HARNESS, SNAPPER, RD 21" | |
| 25 | 7101399 | 1 | CABLE, BAIL, 21" WBM, RD, SNAPPER (44.20" length) | |
| 25 | 7101400 | 1 | CABLE, BAIL, 21" WBM, RD, SNAPPER, ES (40.50" length) | |
| 26 | 7024649 | 3 | WIRE TIE, 11 INCH STD BLK NYLON | |
| 27 | 7091508 | 2 | RHSSNB, 5/16-18 X 3/4 GR5 YZ | |
| 28 | 7300567BH | 1 | BRKT, LOWER HANDLE, LH 21" WBM | |
| 29 | 7300566BH | 1 | BRKT, LOWER HANDLE RH 21" WBM | |
| 30 | 7090951 | 2 | LHCLN, 5/16-18- BLACK | |
| 31 | 7091601 | 4 | FLN, 5/16-18 YZ | |

Footnotes:

Deck Assembly (NSPV21)

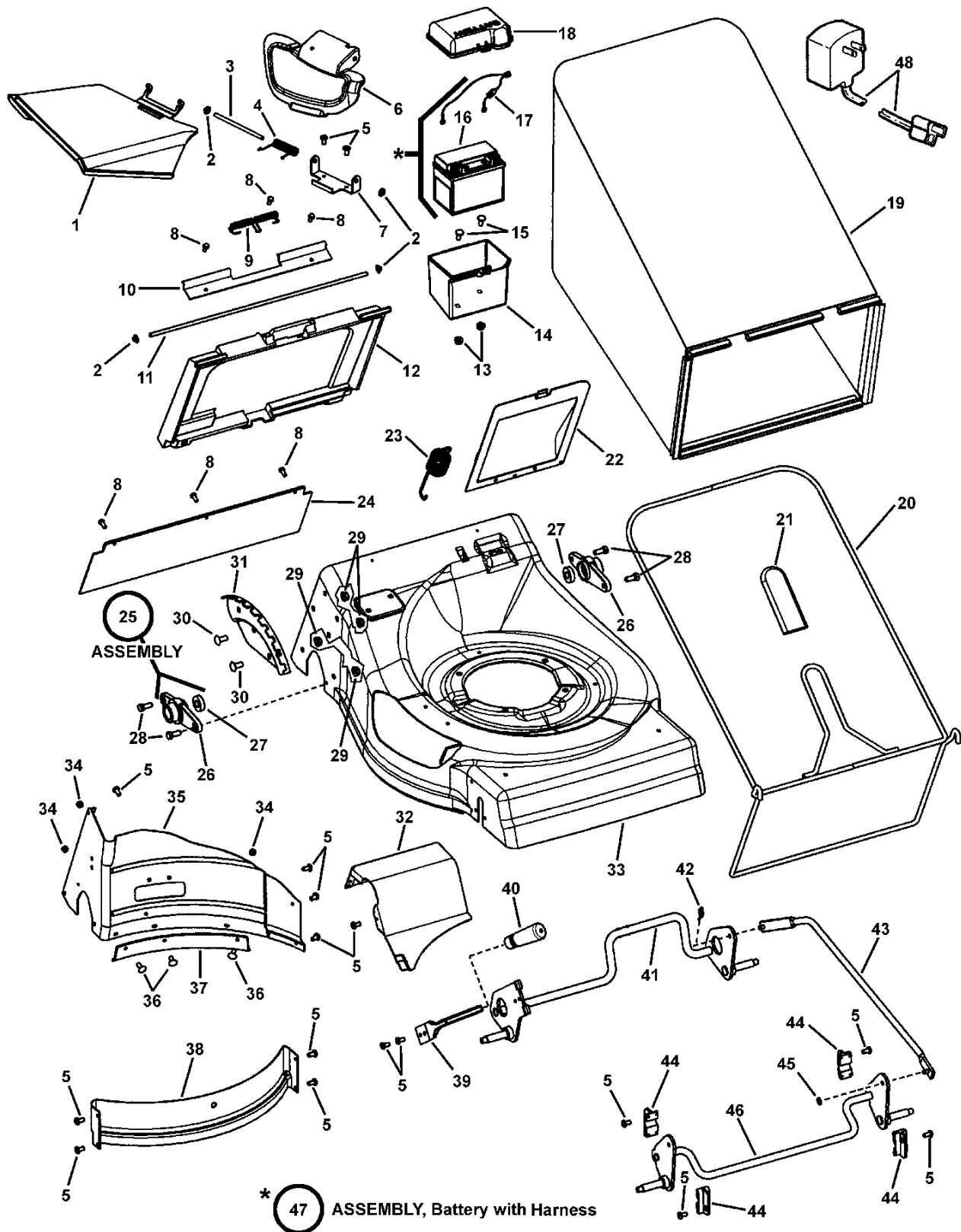


Deck Assembly (NSPV21)

| Item | Part No | Qty | Description | Note |
|------|----------|-----|-----------------------------------|------|
| 1 | 7101490 | 1 | CHUTE, 21" SIDE DISCHARGE | |
| 2 | 7091020 | 4 | PUSHNUT 1/4 | |
| 3 | 7101471 | 1 | ROD, MULCH COVER PIVOT | |
| 4 | 722507 | 1 | SPRING, TORSION, CHUTE | |
| 5 | 722848 | 17 | TORX ST, 1/4-20 X 11/16 | |
| 6 | 7101437 | 1 | COVER, 21" MULCHING | |
| 7 | 7300590D | 1 | BRACKET, CHUTE DEFLECTOR | |
| 8 | 7091286 | 5 | HWST, 10-24X.50 SEMS | |
| 9 | 722503 | 1 | SPRING, TORSION | |
| 10 | 720735 | 1 | SPACER, REAR DOOR 21" | |
| 11 | 7101314 | 1 | ROD, REAR DOOR PIVOT, 21" RD | |
| 12 | 727785 | 1 | DOOR, 21" BLACK | |
| 13 | 2860694 | 2 | NUT, HEX FLANGE, 1/4-20, ESNA, YZ | |
| 14 | 7101523 | 1 | BOTTOM, BATTERY BOX - 21" JD WBM | |
| 15 | 7090803 | 2 | FHSNB, 1/4-20X5/8 | |
| 16 | 7100204 | 1 | SEALED LEAD ACID BATTERY, 12V | |
| 17 | 7015488 | 1 | HARNESS, BATTERY | |
| 18 | 7101522 | 1 | TOP, BATTERY BOX - 21" WBM | |
| 19 | 7101304 | 1 | GRASSBAG, 21" RD | |
| 20 | 7101303A | 1 | BAG FRAME - 21" RD WBM | |
| 21 | 7026421 | 1 | GRIP, RECTANGULAR (BLACK) | |
| 22 | 7300723D | 1 | TRANSMISSION COVER, REAR 21" | |
| 23 | 7101434 | 1 | SPRING, EXTENSION, HOC ASSIST | |
| 24 | 7101553 | 1 | DEFLECTOR, REAR, 21" WBM, RD | |
| 25 | 7500558 | 2 | ASSY, BEARING HOLDER, 21" WBM, RD | |
| 26 | 7101418 | 1 | BEARING HOLDER, 21" WBM, RD | |
| 27 | 7078243 | 1 | BEARING, BALL, AXLE | |
| 28 | 7091318 | 4 | HHCS, 5/16 X 3/4 GR5 YZ | |
| 29 | 7091601 | 6 | FLN, 5/16-18 YZ | |
| 30 | 7091508 | 2 | RHSSNB, 5/16-18 X 3/4 GR5 YZ | |
| 31 | 7300587D | 1 | PLATE, HOC INDEX, 21" WBM, RD | |
| 32 | 7300591D | 1 | BAFFLE, RIGHT REAR, 21" WBM, RD | |
| 33 | 7300584D | 1 | DECK, 21" RD | |
| 34 | 7091290 | 3 | HLN, 10-24 UNC-2B W/NYLON INSERT | |
| 35 | 7300589D | 1 | BAFFLE, LEFT REAR, 21"RD, WBM | |
| 36 | 7091711 | 3 | FHSNB, 10-24 X 5/8 YZ | |
| 37 | 7101502 | 1 | BAFFLE, EXTENSION, 21" RD WBM | |

Footnotes:

Deck Assembly (NSPV21)

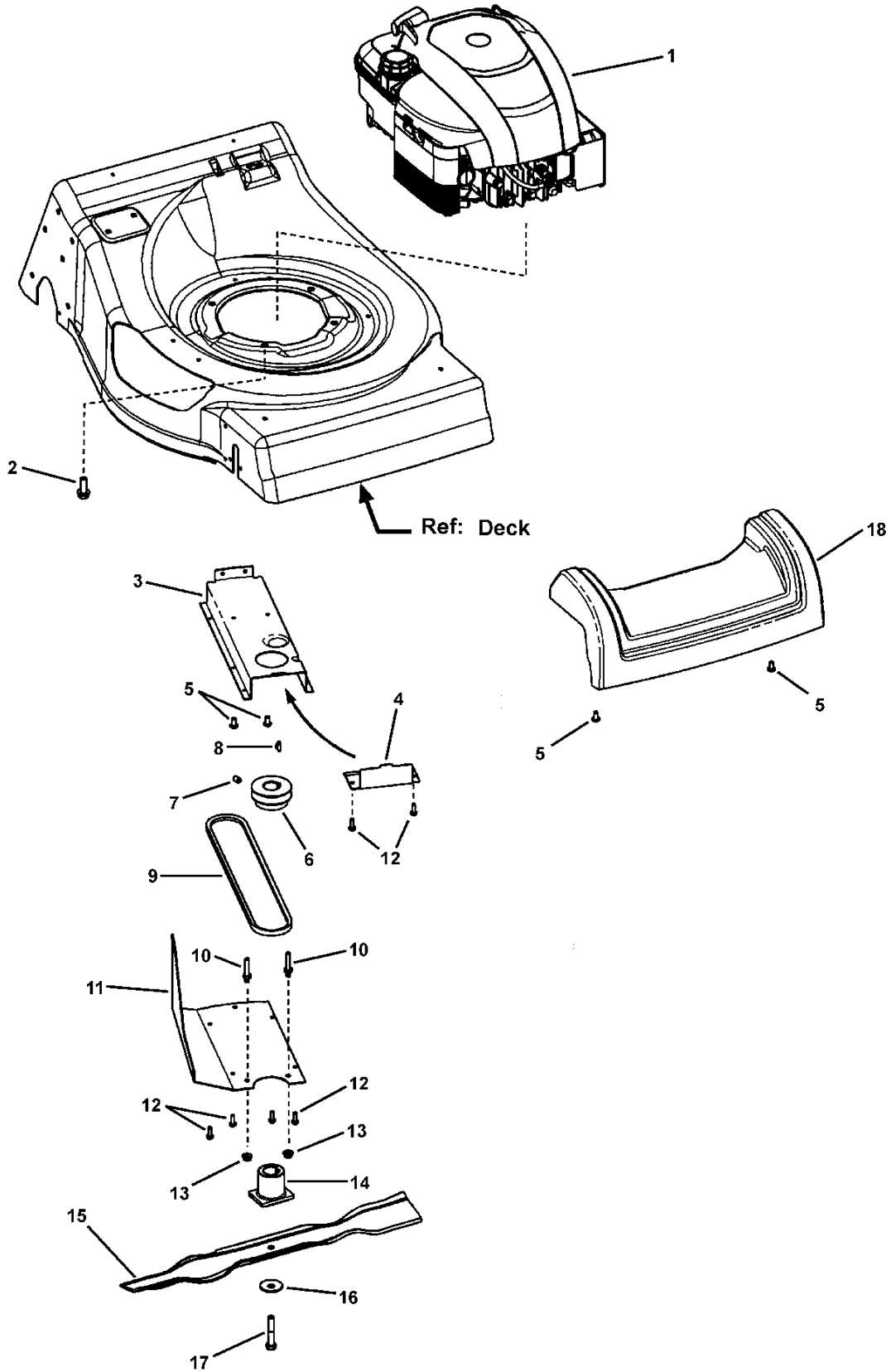


Deck Assembly (NSPV21)

| Item | Part No | Qty | Description | Note |
|------|----------|-----|--------------------------------------|------|
| 38 | 7300585D | 1 | BAFFLE, FRONT 21" WBM, RD | |
| 39 | 724970 | 1 | LEVER, SPRING HOC | |
| 40 | 724887 | 1 | GRIP HOC | |
| 41 | 7400203D | 1 | WELDMENT, REAR CROSSBAR 21" WBM, RD | |
| 42 | 7023590 | 1 | 1/4 SELF-LOCK COTTER | |
| 43 | 7400247 | 1 | WELDMENT, LIFTER LINK, 21" WBM, RD | |
| 44 | 7101241 | 4 | BUSHING, FRONT 21" | |
| 45 | 7091892 | 1 | PUSHNUT, 1/4 BLK | |
| 46 | 7400204D | 1 | WELDMENT, FRONT CROSSBAR 21" WBM, RD | |
| 47 | 7101320 | 1 | ASSY, BATTERY W/HARNESS | |
| 48 | 7018834 | 1 | CHARGER, BATTERY 120V/12V | |
| 49 | 720723 | 1 | PLUG, MULCHING (not shown) | |

Footnotes:

Engine and Blade Assembly (NSPV21)



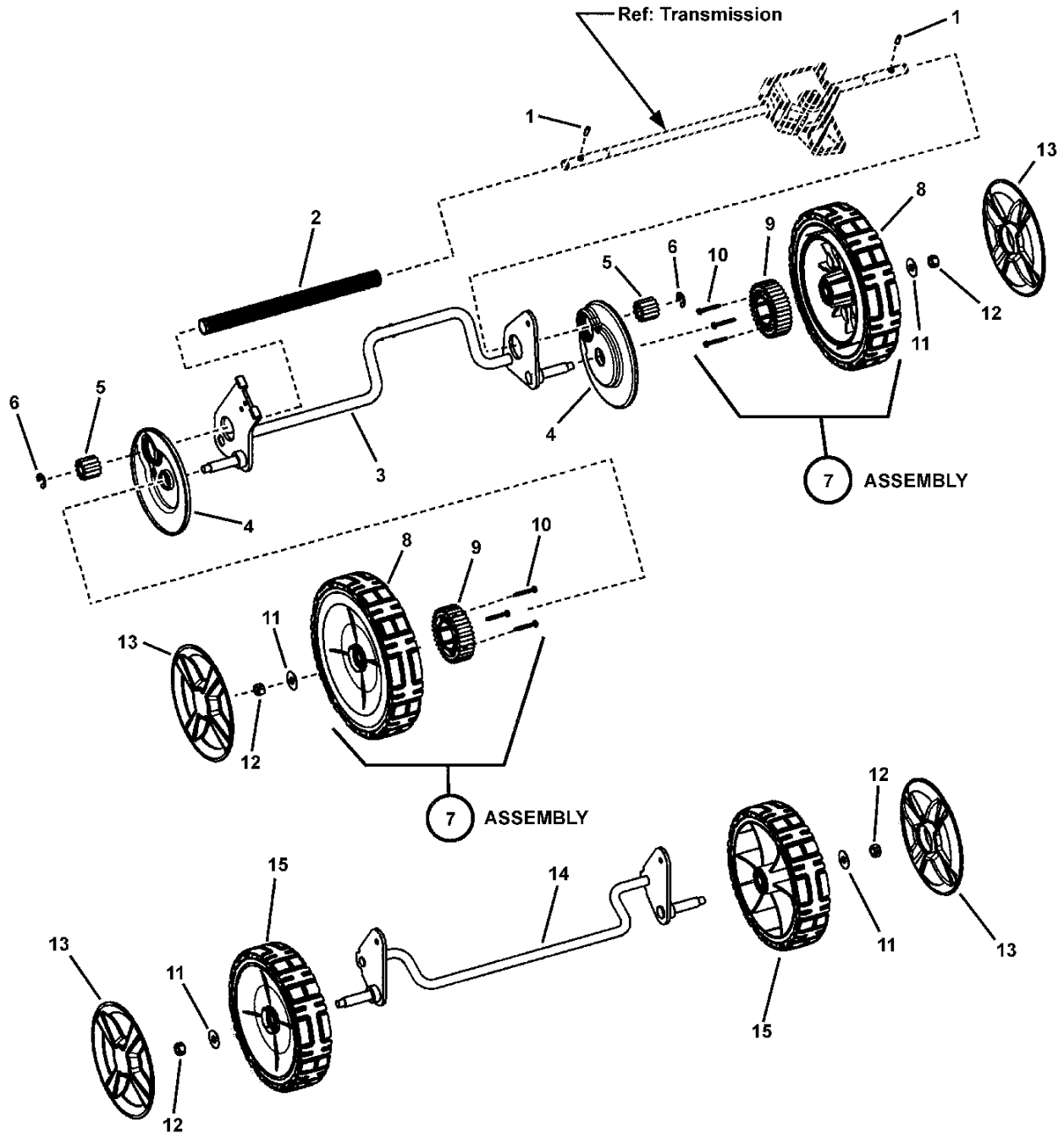
Engine and Blade Assembly (NSPV21)

| Item | Part No | Qty | Description | Note |
|------|----------|-----|---|---------------------------|
| 1 | | 1 | * ENGINE, B&S, 675 SER, Mod. 126L02-0675-F3 | (used on mod. NSPV21675) |
| 1 | | 1 | * ENGINE, B&S, 675 SER, ES, Mod. 126L05-0678-F3 | (used on mod. NSPV21675E) |
| 1 | | 1 | * ENGINE, B&S, 675 SER, Mod. 126T02-0675-B3 | (used on mod. SPV21675) |
| 1 | | 1 | * ENGINE, B&S, 675 SER, ES, Mod. 126T05-0678-B3 | (used on mod. SPV21675E) |
| 2 | 7090324 | 3 | HWST, 3/8-16 X 1 | |
| 3 | 7300725D | 1 | BELT GUARD | |
| 4 | 7300724D | 1 | COVER, BELT | |
| 5 | 7091200 | 4 | PHST, 1/4-20 X 1/2 TORX | |
| 6 | 7100437 | 1 | PULLEY, ENGINE | |
| 7 | 7092086 | 1 | HRSS 5/16-18X1/2 | |
| 8 | 7091214 | 1 | KEY, #HP-506 HI-PRO | |
| 9 | 7100883 | 1 | BELT, 3L, TRACTION DRIVE, 21" PIVOT HANDLE | |
| 10 | 7101313 | 2 | BELT GUIDE, ENGINE, 21" RD | |
| 11 | 7300596D | 1 | COVER, BELT GUARD | |
| 12 | 722864 | 6 | SCREW, #10X1/2, AB, W/WASHER | |
| 13 | 7091584 | 2 | HFLN, 1/4 X 20 YZ | |
| 14 | 7101414 | 1 | HUB, BLADE, 21" WBM, RD, 2 POSITION | |
| 15 | 7100242 | 1 | BLADE, WAVE, 21" STEEL DECK | |
| 16 | 7012063 | 1 | WASHER, CONE | |
| 17 | 7090167 | 1 | HHCS, 3/8-24X2 GR5 | |
| 18 | 7101271 | 1 | COVER, FRONT, 21" WBM, RD | |

Footnotes:

NOTE: * Purchase engine parts from engine manufacturer dealer.

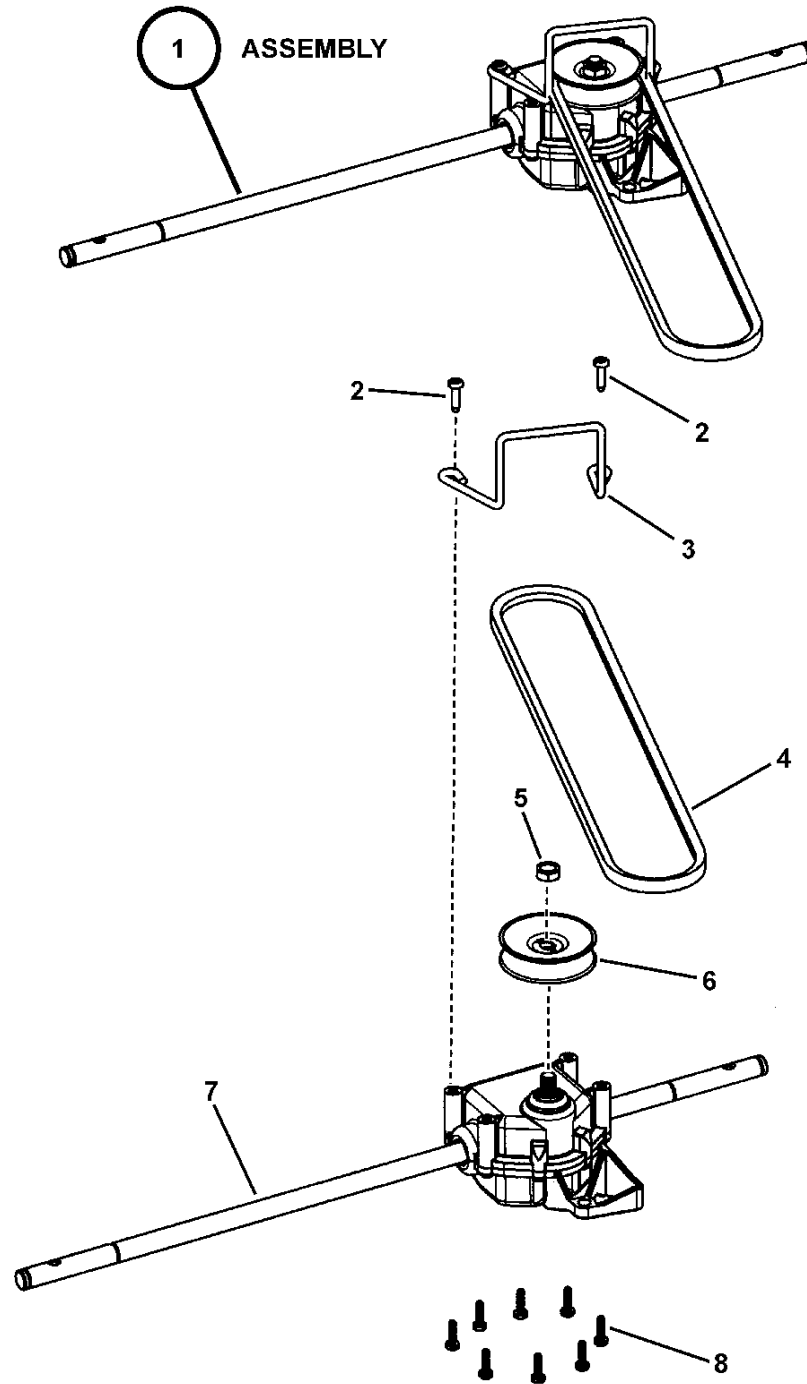
Front and Rear Wheels (NSPV21)



Front and Rear Wheels (NSPV21)

| Item | Part No | Qty | Description | Note |
|------|----------|-----|--|--|
| 1 | 7100861 | 2 | PIN, AXLE | |
| 2 | 727782 | 1 | SHIELD, AXLE | |
| 3 | 7400203D | 1 | WELDMENT, REAR CROSSBAR 21" WBM, RD | <i>also shown on Deck Assembly page</i> |
| 4 | 7101367 | 2 | SHIELD, DUST, 21" WBM, RD | |
| 5 | 7100820 | 2 | GEAR, PINION | |
| 6 | 7014341 | 2 | RETAINING RING | |
| 7 | 7500539 | 2 | ASSY, WHEEL , 9X2, SNAPPER TRD W/EXT GEAR, BB, SNAPPER CHARCOAL GRAY | <i>incl 2 ball bearings, p/n 7101380</i> |
| 8 | 7500647 | 1 | ASSY, WHEEL, W/BEARING 9", SNAPPER TRD, SNAPPER CHARCOAL GRAY | <i>incl 2 ball bearings, p/n 7101380</i> |
| 9 | 7100914 | 1 | GEAR, EXTERNAL WHEEL | |
| 10 | 7091196 | 6 | HWST, #8 X 1-1/4, HI-LO | |
| 11 | 722604 | 4 | WASHER, FLAT, 1" OD X .387 ID | |
| 12 | 7091585 | 4 | HCLN, 3/8-16 YZ | |
| 13 | 7101350 | 4 | HUBCAP, 8" & 9" WHEEL SPOKED-SNAPPER COOL GRAY | |
| 14 | 7400204D | 1 | WELDMENT, FRONT CROSSBAR 21" WBM, RD | |
| 15 | 7500540 | 2 | ASSY, WHEEL, 8X2 IDLE, SNAPPER TREAD SNAPPER CHARCOAL GRAY | |

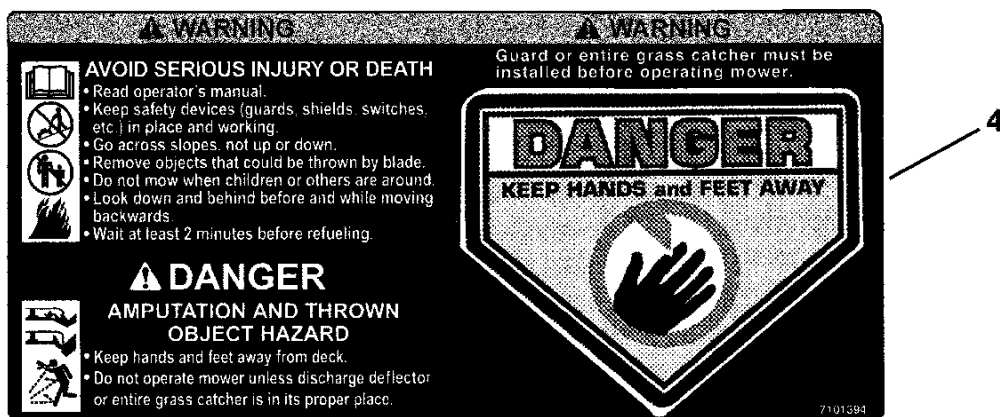
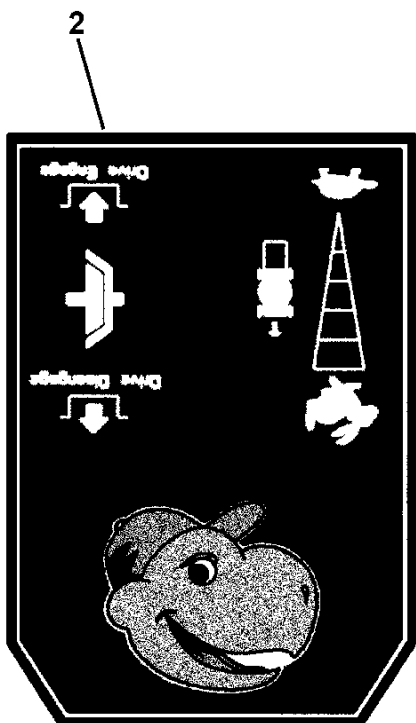
Footnotes:



Transmission (21")

| Item | Part No | Qty | Description | Note |
|------|---------|-----|--|------|
| 1 | 7500490 | 1 | ASSY, TRANSMISSION, 21" VS RD | |
| 2 | 7091195 | 2 | PHST, #10-16 X 3/4, COMBO | |
| 3 | 7100863 | 1 | BELT GUIDE, TRANSMISSION | |
| 4 | 7100883 | 1 | BELT, 3L, TRACTION DRIVE, 21" PIVOT HANDLE | |
| 5 | 1960251 | 1 | HCLN - JAM - 3/8-16 BLK | |
| 6 | 7100240 | 1 | PULLEY, TRANS VAR SPD LC WBM | |
| 7 | 7101245 | 1 | TRANSMISSION, 21" WBM, RD, SNAPPER | |
| 8 | 7900032 | 8 | SCREW, 7mm x 1 x .550 AB Point | |

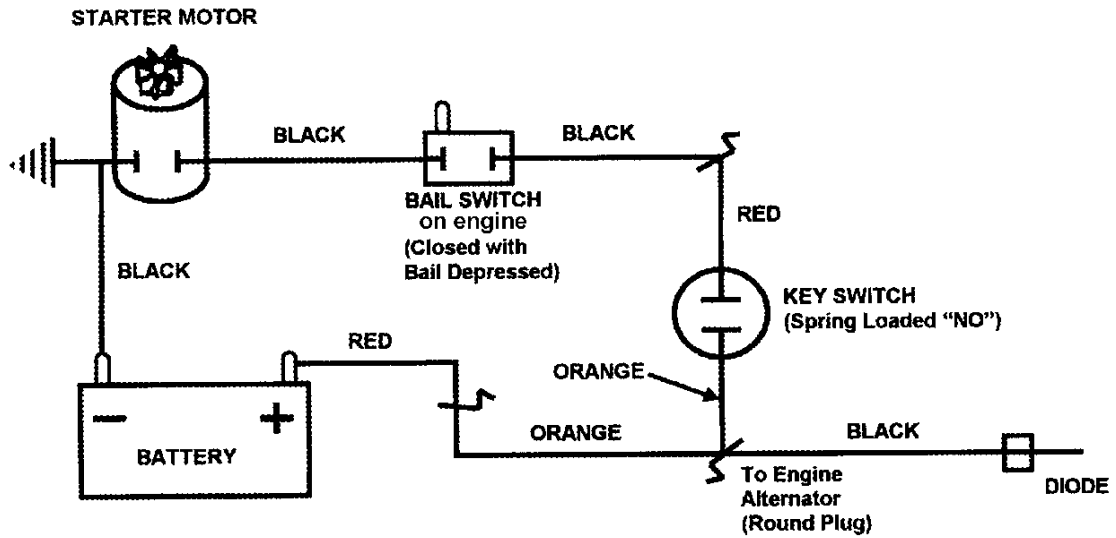
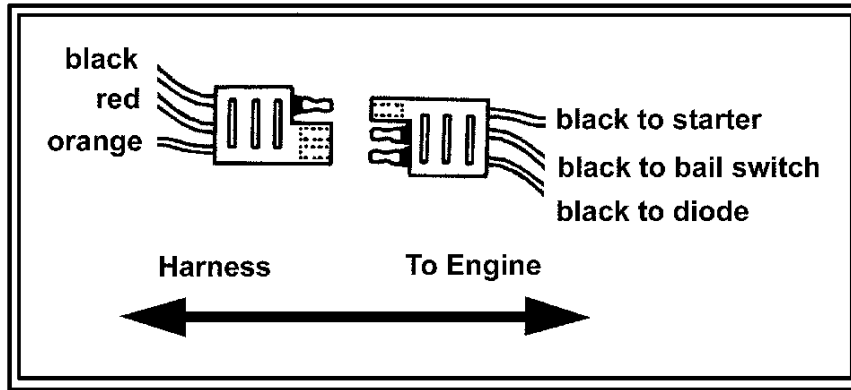
Footnotes:



Decals (21")

| Item | Part No | Qty | Description | Note |
|-------------|----------------|------------|-------------------------------------|-------------|
| 1 | 7101540 | 1 | DECAL, FRONT COVER, 21" RD, SNAPPER | |
| 2 | 7101536 | 1 | DECAL, CONTROL HEAD, VS, SNAPPER | |
| 3 | 7013010 | 1 | DECAL, DANGER, CUT FINGER | |
| 4 | 7101394 | 1 | DECAL, WARNING, REAR DISCHARGE DOOR | |

Footnotes:



WIRING SCHEMATIC FOR 6.75 HP BRIGGS ENGINE

Wiring Schematic

| Item | Part No | Qty | Description | Note |
|-------------|----------------|------------|-------------------------------|-------------|
| | 7101504 | 1 | WIRE HARNESS, SNAPPER, RD 21" | |

Footnotes:

Parts Manual for

SNAPPER[®]

21" VARIABLE SPEED REAR DISCHARGE MOWERS

IT IS THE POLICY OF BRIGGS & STRATTON CORP TO IMPROVE ITS PRODUCTS WHENEVER IT IS POSSIBLE AND PRACTICAL TO DO SO. WE RESERVE THE RIGHT TO MAKE CHANGES OR ADD IMPROVEMENTS AT ANY TIME WITHOUT INCURRING ANY OBLIGATION TO MAKE SUCH CHANGES ON PRODUCTS

SNAPPER[®] McDonough, GA, 30253 U.S.A.