

Parts Manual for

SNAPPER®

YARD CRUISER™

HYDRO DRIVE

MODELS: HZ14330BVE

HZS14330BVE

HZ14380BVE

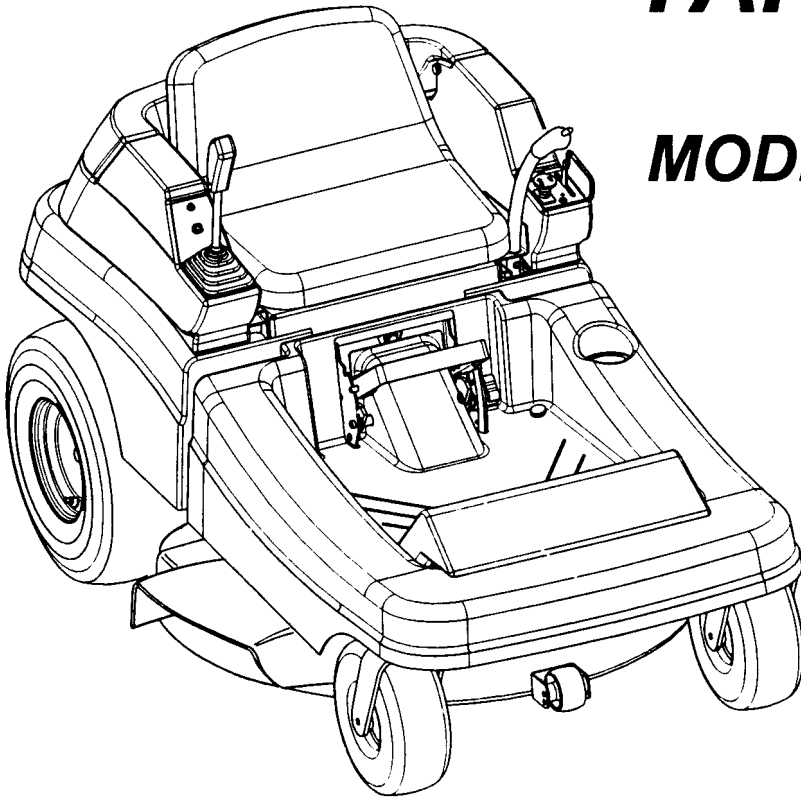
HZS14380BVE

NHZ14380BVE

HZ15420KVE

HZS15420KVE

SERIES 0



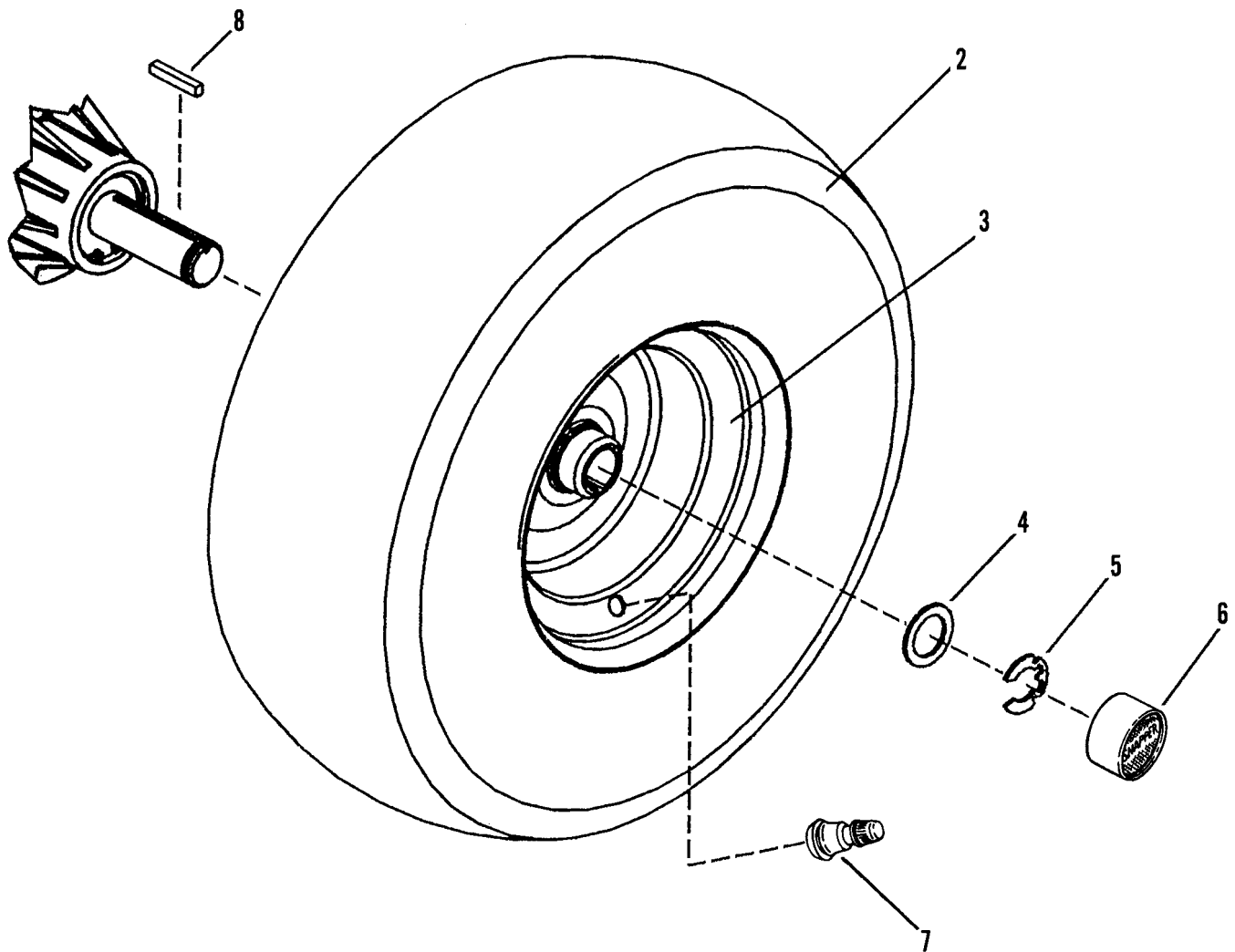
CONTENTS

DESCRIPTION	PAGE(S)	DESCRIPTION	PAGE(S)
WHEELS- REAR	2	BRAKE/CLUTCH LEVER ASSEMBLY.....	16-17
CASTER, FRONT WHEEL & TIRE ASSM'Y.	3	33" MOWER DECK ASSEMBLY	18-19
FRONT FRAME & COVER ASSEMBLY (Fiberglass Bodied Models Only)	4-5	38" MOWER DECK ASSEMBLY	20-21
FRONT FRAME & COVER ASSEMBLY (Steel Bodied Models Only)	4A-5A	42" MOWER DECK SUB-ASSEMBLY	22-23
REAR FRAME ASSEMBLY	6-7	42" MOWER DECK ASSEMBLY	24-25
FUEL TANK & OPERATOR'S SEAT (Fiberglass Bodied Models Only)	8-9	33" SPINDLE ASSEMBLY	26
FUEL TANK & OPERATOR'S SEAT (Steel Bodied Models Only)	8A-9A	38" SPINDLE ASSEMBLY	27
FENDER & TRANSAXLE ASSEMBLY.....	10-11	42" SPINDLE ASSEMBLY	28
CLUTCH ASSEMBLY	12-13	ENGINE COMPONENTS	30-31
DECK LIFT HANDLE ASSEMBLY	14-15	DECALS	32-33
		ELECTRICAL COMPONENTS	34-35
		WIRING SCHEMATICS.....	36-38

SNAPPER® McDonough, GA., 30253 U.S.A.

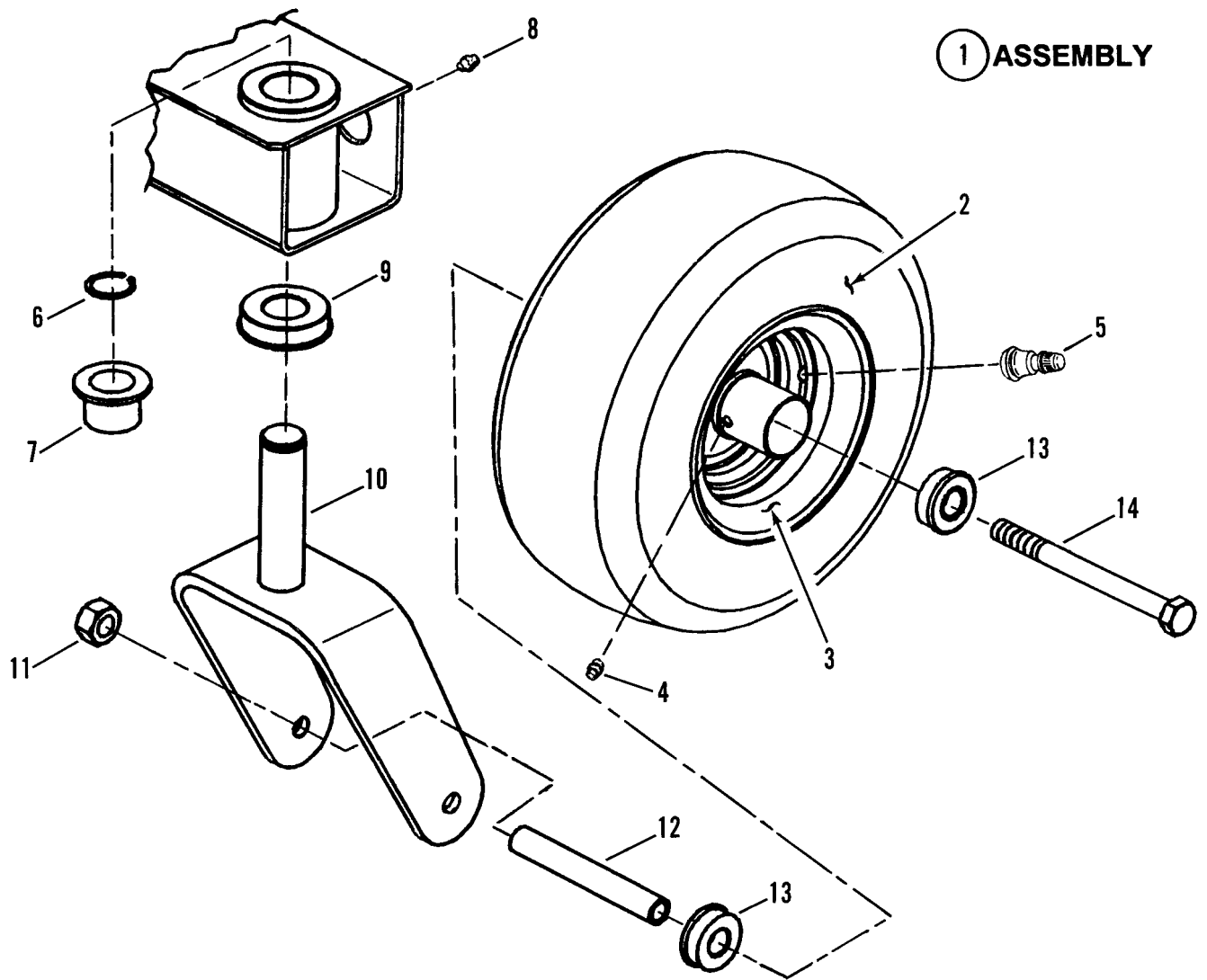
WHEELS - REAR

① ASSEMBLY



ITEM	PART NO.	DESCRIPTION
1	5-4055	ASSEMBLY, Rear Tire & Rim (2) (Includes Items 2A, 3A, & 7) (33" Models)
-	5-4056	ASSEMBLY, Rear Tire & Rim (2) (Includes Items 2B, 3B, & 7) (38" & 42" Models)
2A	3-6488	TIRE, 18 x 6.50-8, Smooth Tread (33" Models)
2B	3-9466	TIRE, 18 x 8.50-8, Smooth Tread (38" & 42" Models)
3A	3-5427	RIM, 18 x 6.50 (33" Models)
3B	3-5562	RIM, 18 x 8.50 (38" & 42" Models)
4	1-6561	BUSHING, Machine (2)
5	9-1764	RING, Retaining, External 1" (2)
6	1-1022	CAP, Hub (2)
7	1-2234	STEM, Valve
8	4-2940	KEY, Square M6 x 38 (2)
*	6-3069	TIRE Kit, All Terrain 18x8 (Optional)
	5-7999	TIRE/RIM Assy., AT 18x8 RH
	5-8000	TIRE/RIM Assy., AT 18x8 LH

CASTER, FRONT WHEEL & TIRE ASSEMBLY

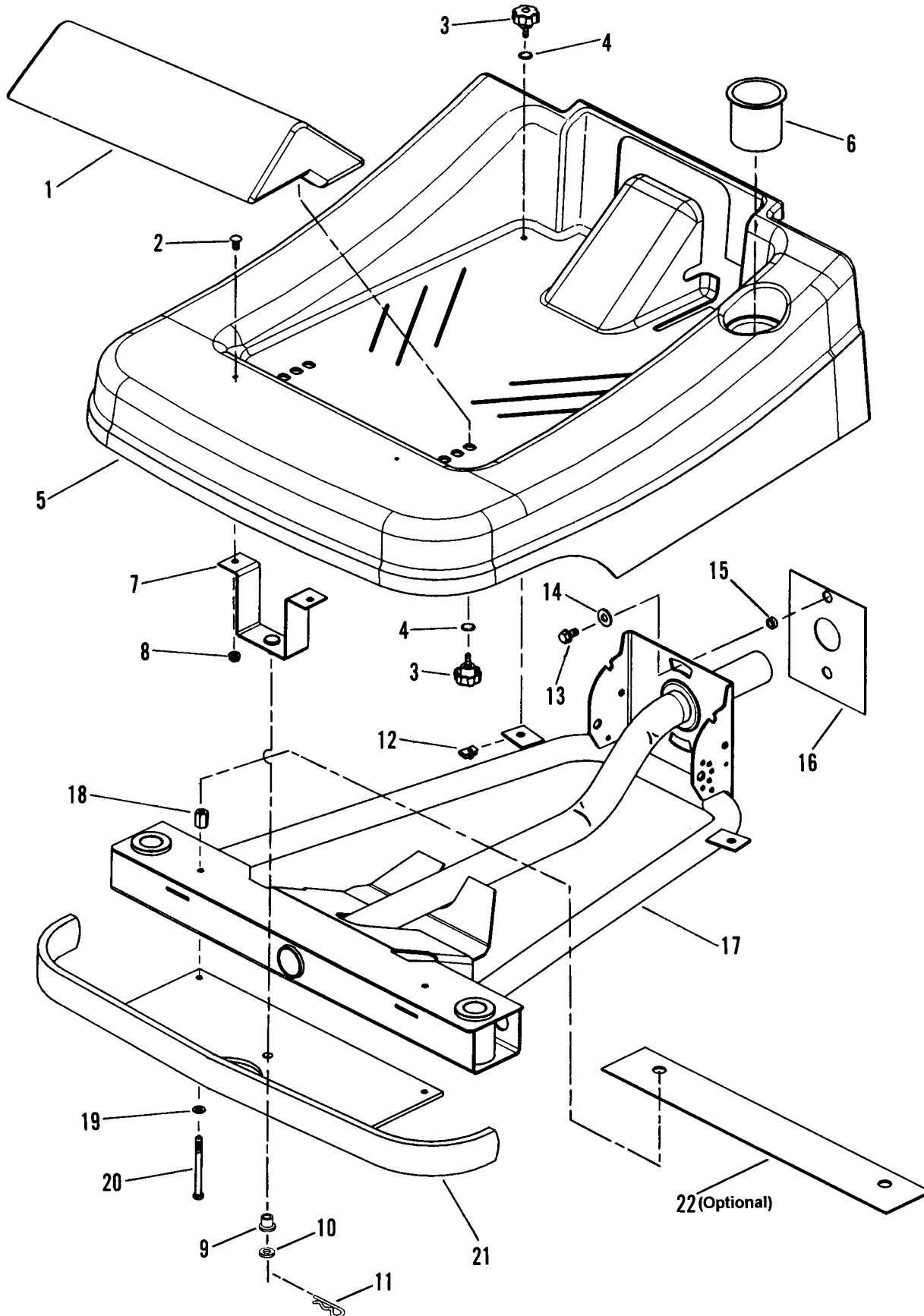


① ASSEMBLY

ITEM	PART NO.	DESCRIPTION
1	5-3980	ASSEMBLY, Front Wheel & Tire (Complete) (2) (Includes Items 2, thru 5)
2	3-5618	TIRE, 11 x 4.00-5, Smooth Tread
3	2-9122	RIM, Caster Wheel
4	1-4247	FITTING, Lube
5	1-2234	VALVE, Air (Snap-in)
6	1-2709	RING, 1" External Retaining (2)
7	2-3556	BUSHING, Caster (2)
8	1-3864	FITTING, Lube, 3/8" (2)
9	2-9141	BEARING, Flanged 1 x 2 x 5/8" (2)
10	4-1783	CASTER, Pivot Yoke (2)
11	9-0839	NUT, 7/16-14 Hex Center Lock (2)
12	3-5359	TUBE, 5/8 O.D. x 14 Ga. x 4.51" (2)
13	3-5358	BEARING, Ball 5/8 x 1-3/8" (4)
14	9-1772	SCREW, 7/16-14 x 6" Hex Head Cap, Grade 5 (2)

FRONT FRAME & COVER ASSEMBLY

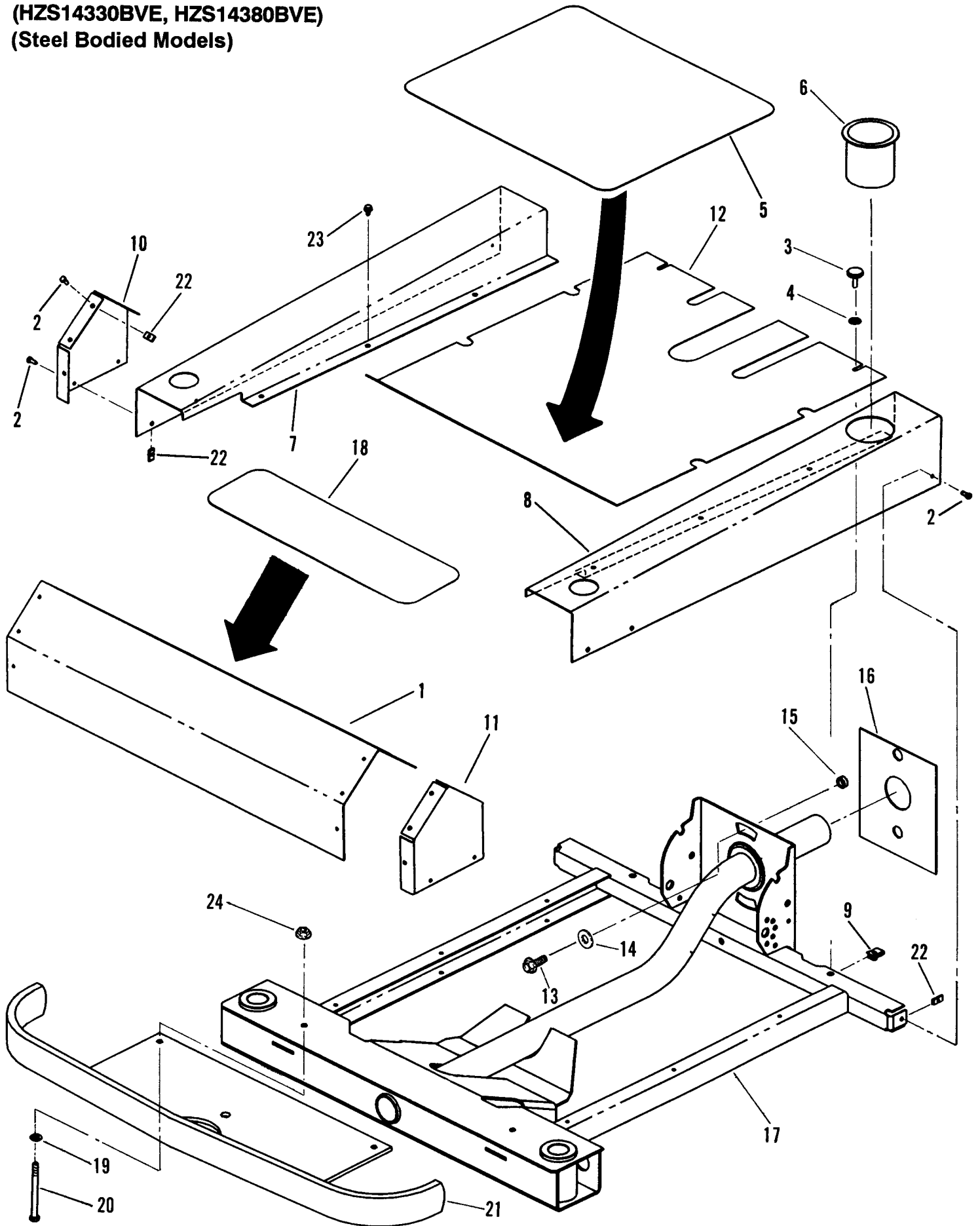
(HZ14330BVE, HZ14380BVE, NHZ14380BVE, HZ15420KVE)
(Fiberglass Bodied Models)



FRONT FRAME & COVER ASSEMBLY

(HZS14330BVE, HZS14380BVE)

(Steel Bodied Models)



FRONT FRAME & COVER ASSEMBLY
(HZ14330BVE, HZ14380BVE, NHZ14380BVE, HZ15420KVE)
(Fiberglass Bodied Models)

ITEM	PART NO.	DESCRIPTION
1	3-5354	FOOT REST
2	9-1026	BOLT, 5/16-18 x 5/8" Carriage, Grade 5 (2)
3	2-3341	KNOB (4)
4	9-1890	WASHER, 1/4" Internal/External Lock (4)
5	7-1682	COVER, Front Frame
6	4-2968	HOLDER, Beverage
7	4-2963	BRACKET, Front Cover
8	9-1247	NUT, 5/16-18 Flange Center Lock (2)
9	1-3321	BUSHING
10	9-1514	WASHER, 3/8" Flat
11	9-1503	HAIRPIN, 3/32 x 1-1/2"
12	2-8260	FASTENER, "U" Type (2)
13	9-0324	SCREW, 3/8-16 x 1" Hex Washer Face, Self-Tapping (2)
14	9-0517	WASHER, 3/8 Flat (2)
15	3-5375	SPACER, Front Frame Pivot (2)
16	3-5374	PLATE, Front Frame Pivot
17	4-2471	FRAME, Front
18	7-1664	STAND-OFF, 5/16-18 x 5/8" Hex (2)
19	9-1315	WASHER, 5/16" Split Lock (2)
20	9-1058	BOLT, 5/16-18 x 3-3/4" (2)
21	4-2921	BUMPER, Front
22	7-1663	PLATE, Front Frame Ballast (Optional)

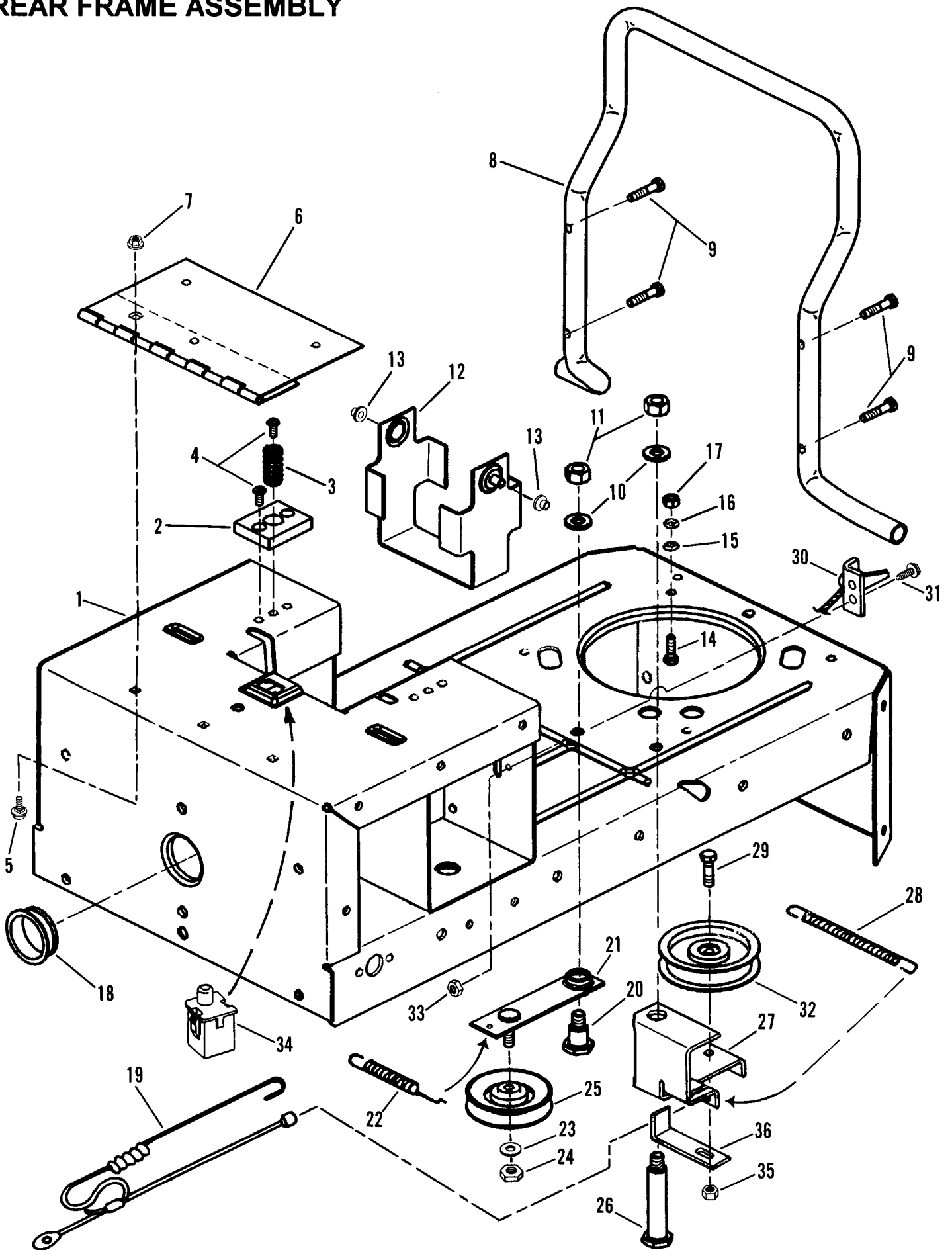
FRONT FRAME & COVER ASSEMBLY

(HZS14330BVE, HZS14380BVE)

(Steel Bodied Models)

ITEM	PART NO.	DESCRIPTION
1	4-5315	FOOT REST
2	9-1942	SCREW, #10-24 x 1/2" Pan Head Phillips Machine (16)
3	2-3341	SCREW, 1/4-20 x 3/4" Thumb (4)
4	9-1890	WASHER, 1/4" Internal/External Lock (4)
5	4-4632	MAT, Floor
6	4-2968	HOLDER, Beverage
7	4-5258	RAIL, Front Cover (Right Hand)
8	4-5259	RAIL, Front Cover (Left Hand)
9	2-3295	U-NUT, 1/4-20 (4)
10	4-5322	PLATE, End (Right Hand)
11	4-5323	PLATE, End (Left Hand)
12	4-5325	PLATE, Floor
13	9-0324	SCREW, 3/8-16 x 1" Hex Washer Face, Self-Tapping (2)
14	9-0517	WASHER, 3/8 Flat (2)
15	3-5375	SPACER, Front Frame Pivot (2)
16	3-5374	PLATE, Front Frame Pivot
17	4-5255	FRAME, Front
18	4-5330	PAD, Foot Rest
19	9-1315	WASHER, 5/16" Split Lock (2)
20	9-1058	BOLT, 5/16-18 x 3-3/4" (2)
21	4-2921	BUMPER, Front
22	9-1056	NUT, #10-24 Clip (16)
23	9-1084	SCREW, 1/4-20 x 3/8" Self-Tapping (6)
24	9-1601	NUT, 5/16-18 (2)

REAR FRAME ASSEMBLY



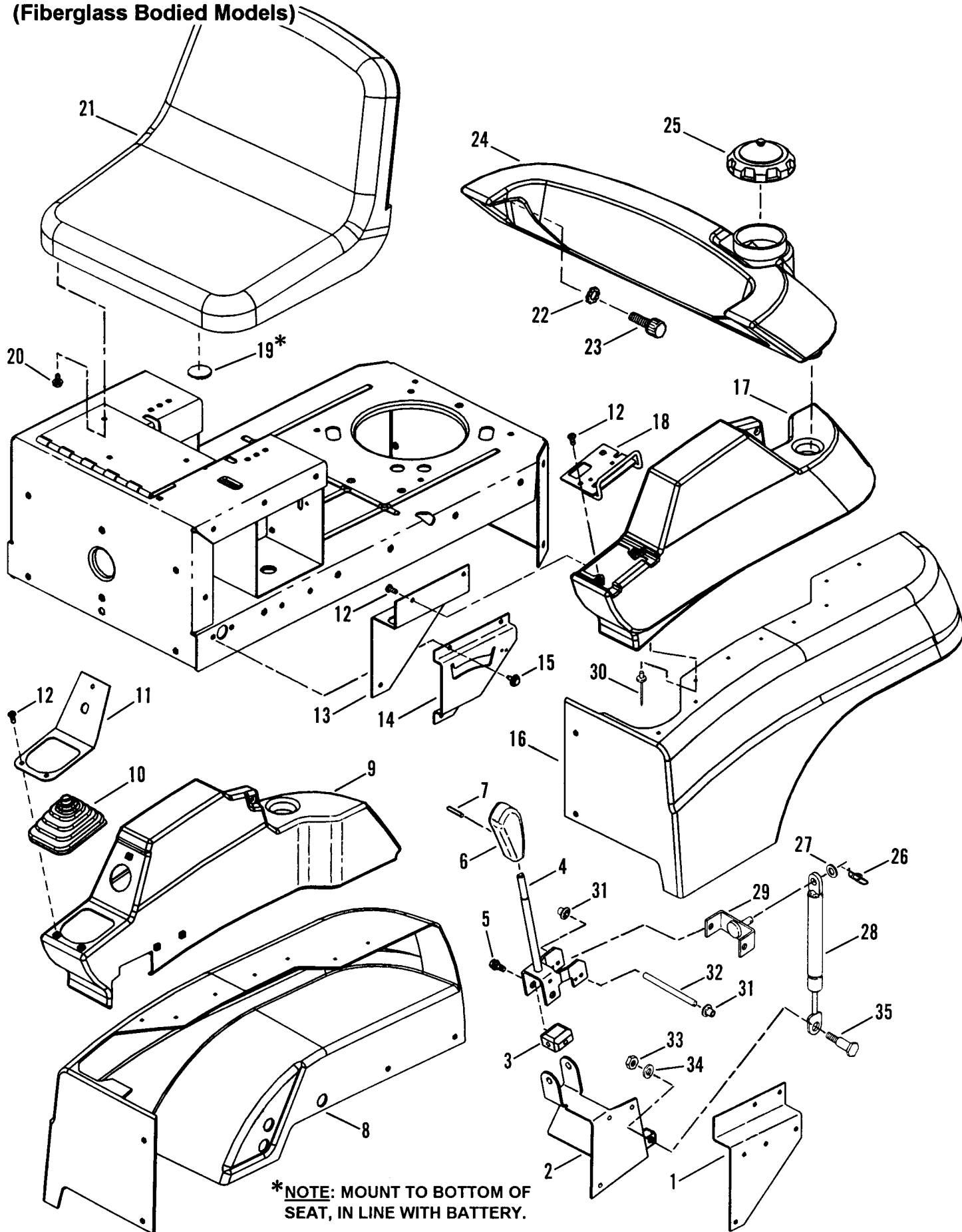
REAR FRAME ASSEMBLY

ITEM	PART NO.	DESCRIPTION
1	4-1782	FRAME, Rear
2	3-5368	CUSHION, Seat Support (2)
3	3-5369	SPRING, Seat Support (2)
4	9-0999	SCREW, 1/4-20 x 5/8" Pan Head, Self-Tapping (6)
5	9-0004	BOLT, 5/16-18 x 1/2" Carriage, Grade 5 (3)
6	3-4959	HINGE, Seat
7	9-1070	NUT, 5/16-18 Hex Flange Lock, Grade 5 (3)
8	3-3587	BUMPER, Rear
9	9-1506	SCREW, 5/16-18 x 1-1/2" Hex Washer Head, Self-Tapping (4)
10	9-1587	WASHER, 1/2" Flat (2)
11	9-1316	NUT, 1/2-13 Hex, Grade B (2)
12	4-1793	BRACKET, Battery
13	1-3321	BUSHING (2)
14	9-0238	SCREW, 5/16-24 x 1" Hex Head Cap (4)
15	1-1791	RETAINER, 5/16 Bolt (4)
16	9-1315	WASHER, 5/16 Split Lock (4)
17	9-1297	NUT, 5/16-24 Hex, Grade 5 (4)
18	1-1033	GROMMET (2)
19	2-9464	CABLE, Brake/Clutch
20	9-1730	BOLT, 1/2-13 x 5/8" Thread, .75 x .788 Shoulder
21	4-1792	IDLER ARM, Primary
22	2-9144	SPRING, Blade/Clutch 3/4" x 5.5"
23	9-1514	WASHER, 3/8" Flat
24	9-1585	NUT, 3/8-16 Hex Center Lock, Grade 5
25	2-4344	PULLEY, Idler V 3.30 HA
26	9-1725	BOLT, 1/2-13 x 5/8" Thread, .75 x 3.23 Shoulder
27	3-4937	BRACKET, Hydraulic Idler
28	4-5168	SPRING, 3/4" x 10" Extension
29	2-7168	SCREW, 5/16-18 x 1" Hex Head Cap, Grade 5
30	3-9485	CABLE, Hydro Release Valve
31	9-1240	SCREW, #10-32 x 5/8" Hex Washer Head, Machine (2)
32	1-8574	IDLER, 4.12 Flat
33	9-0376	NUT, #10-32 Hex Nyloc (2)
34	2-2886	SWITCH, Seat
35	9-1575	NUT, 5/16-18 Hex Center Lock
36	3-4938	GUIDE, Belt

FUEL TANK & OPERATOR'S SEAT

(HZ14330BVE, HZ14380BVE, NHZ14380BVE, HZ15420KVE)

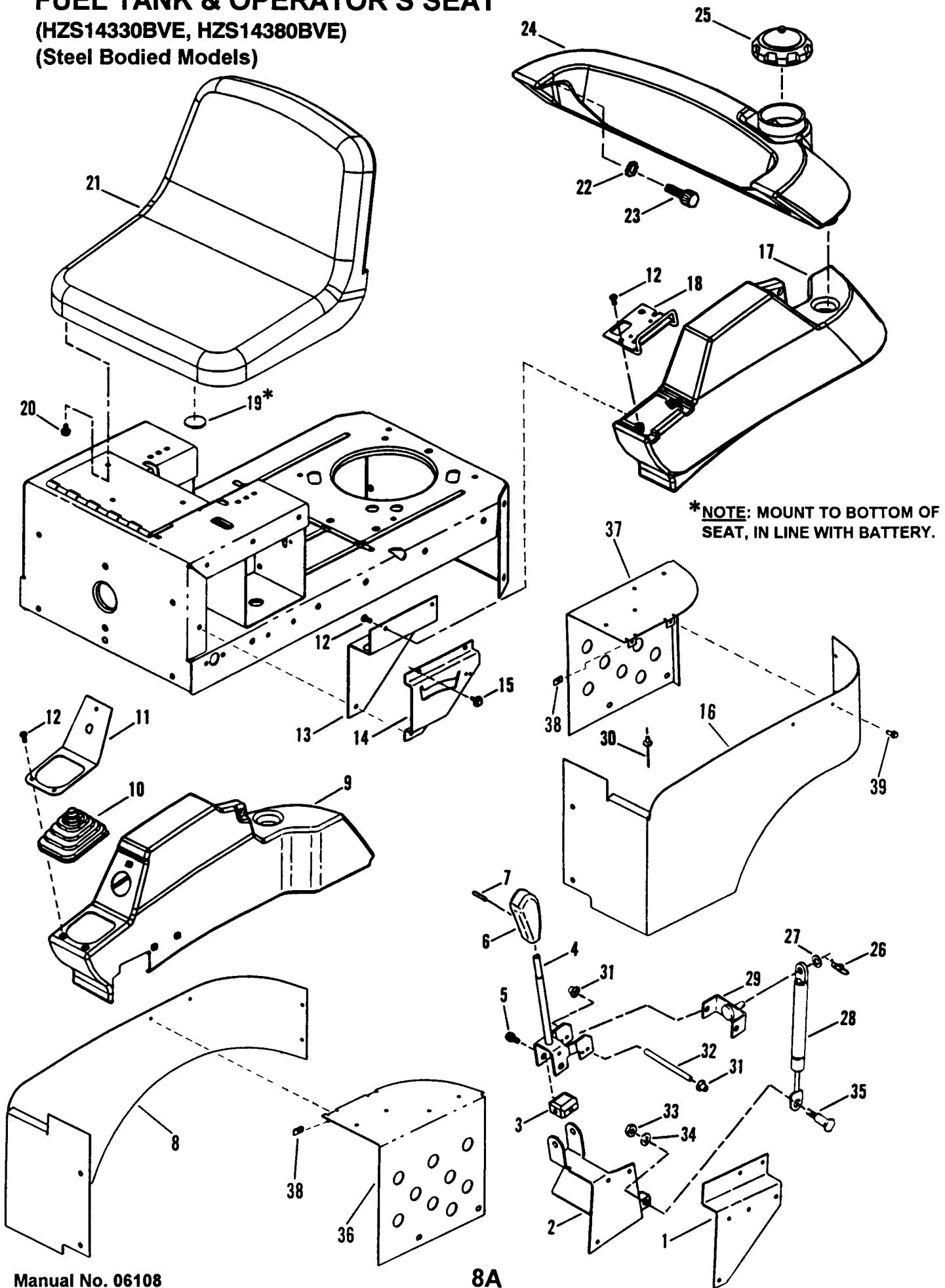
(Fiberglass Bodied Models)



FUEL TANK & OPERATOR'S SEAT

(HZS14330BVE, HZS14380BVE)

(Steel Bodied Models)



FUEL TANK & OPERATOR'S SEAT
(HZ14330BVE, HZ14380BVE, NHZ14380BVE, HZ15420KVE)
(Fiberglass Bodied Models)

ITEM	PART NO.	DESCRIPTION
1	3-5483	BRACKET, R.H. Tank Support
2	4-2637	BRACKET, Joystick
3	3-5533	PIVOT, Joystick Control
4	4-2636	HANDLE, Joystick Control
5	9-1800	BOLT, 5/16-18 x 3/4" Shoulder (4)
6	2-3656	LEVER, Shift Handle
7	9-0844	PIN, 3/16 x 3/4" Roll
8	3-5355	FENDER, R.H. Rear Frame
9	3-5922	FENDER, Upper R.H.
10	3-5936	BOOT, Joystick, Rubber
11	3-5935	BRACKET, Joystick/Key
12	9-0999	SCREW, 1/4 x 5/8" Pan Head Self-Tap (7)
13	3-5481	BRACKET, L.H. Tank Support
14	3-5482	BRACKET, Brake/Clutch Detent
15	9-0362	SCREW, 1/4-20 x 5/8" Hex Washer Head, Self-Tapping (6)
16	3-5356	FENDER, L.H. Rear Frame
17	3-5921	FENDER, Upper L.H.
18	4-2644	GUARD, Throttle Control
19	4-4676	BUMPER, Battery
20	9-1038	SCREW, 5/16-18 x 1/2" Hex Washer Head, Machine (3)
21	4-2939	SEAT (All Models)
22	9-1890	WASHER, 1/4" Internal/External Tooth (2)
23	3-5920	THUMB SCREW, 1/4-20 x 1-1/2" (2)
24	3-5478	ASSEMBLY, Fuel Tank (Includes item 25)
25	4-4711	CAP, Fuel Tank (w/Gage & Screw Vent)
26	9-1593	COTTER-PIN, 3/8 Self-Locking
27	9-1296	WASHER, 11/32 x 11/16" Flat
28	4-4717	CYLINDER, Joystick Control
29	4-4763	BRACKET, Joystick Control
30	9-1820	RIVET, 3/16" x 1", Dome Head, Aluminum (8)
31	9-1020	PUSH-NUT, 1/4" (2)
32	4-4702	PIN, Joystick
33	9-1511	NUT, 5/16-18 Hex, Grade 5
34	9-1315	WASHER, 21/64 Split Lock
35	1-6562	BOLT, 5/16-18 x 1-1/8" Shoulder

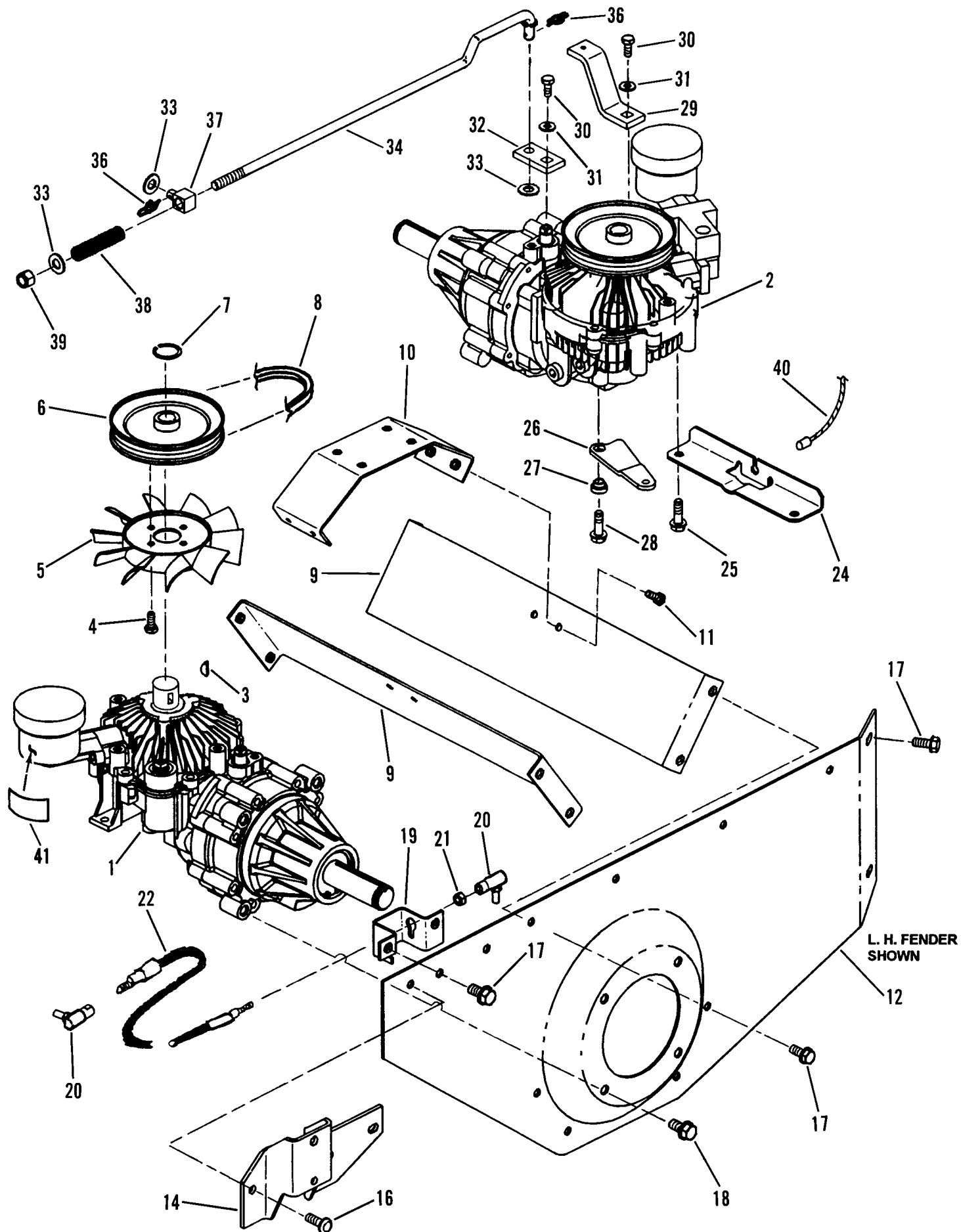
FUEL TANK & OPERATOR'S SEAT

(HZS14330BVE, HZS14380BVE)

(Steel Bodied Models)

ITEM	PART NO.	DESCRIPTION
1	3-5483	BRACKET, Right Hand Tank Support
2	4-2637	BRACKET, Joystick
3	3-5533	PIVOT, Joystick Control
4	4-2636	HANDLE, Joystick Control
5	9-1800	BOLT, 5/16-18 x 3/4" Shoulder (4)
6	2-3656	LEVER, Shift Handle
7	9-0844	PIN, 3/16 x 3/4" Roll
8	4-5235	FENDER, Right Hand Rear Frame
9	3-5922	FENDER, Upper Right Hand
10	3-5936	BOOT, Joystick, Rubber
11	3-5935	BRACKET, Joystick/Key
12	9-0999	SCREW, 1/4 x 5/8" Pan Head Self-Tapping (7)
13	3-5481	BRACKET, Left Hand Tank Support
14	3-5482	BRACKET, Brake/Clutch Detent
15	9-0362	SCREW, 1/4-20 x 5/8" Self-Tapping (6)
16	4-5236	FENDER, Left Hand Rear Frame
17	3-5921	FENDER, Upper Left Hand
18	4-2644	GUARD, Throttle Control
19	4-4676	BUMPER, Battery
20	9-1038	SCREW, 5/16-18 x 1/2" Hex Machine (3)
21	4-2939	SEAT (All Models)
22	9-1890	WASHER, 1/4" Internal/External Tooth (2)
23	3-5920	SCREW, 1/4-20 x 1-1/2" Thumb (2)
24	3-5478	ASSEMBLY, Fuel Tank (Includes item 25)
25	4-4711	CAP, Fuel Tank (w/Gage & Screw Vent)
26	9-1593	COTTER-PIN, 3/8 Self Locking
27	9-1296	WASHER, 11/32 x 11/16" Flat
28	4-4717	CYLINDER, Joystick Control
29	4-4763	BRACKET, Joystick Control
30	9-1820	RIVET, 3/16" x 1", Dome Head (8)
31	9-1020	PUSH-NUT, 1/4" (2)
32	4-4702	PIN, Joystick
33	9-1511	NUT, 5/16-18 Hex, Grade 5
34	9-1315	WASHER, 21/64 Split Lock
35	1-6562	BOLT, 5/16-18 x 1-1/8" Shoulder
36	4-5245	SUPPORT, Right Hand Fender
37	4-5244	SUPPORT, Left Hand Fender
38	9-1056	U-CLIP, #10-24 (8)
39	9-1631	SCREW, #10-24 x 1/2" Machine (8)

FENDER & TRANSAXLE ASSEMBLY



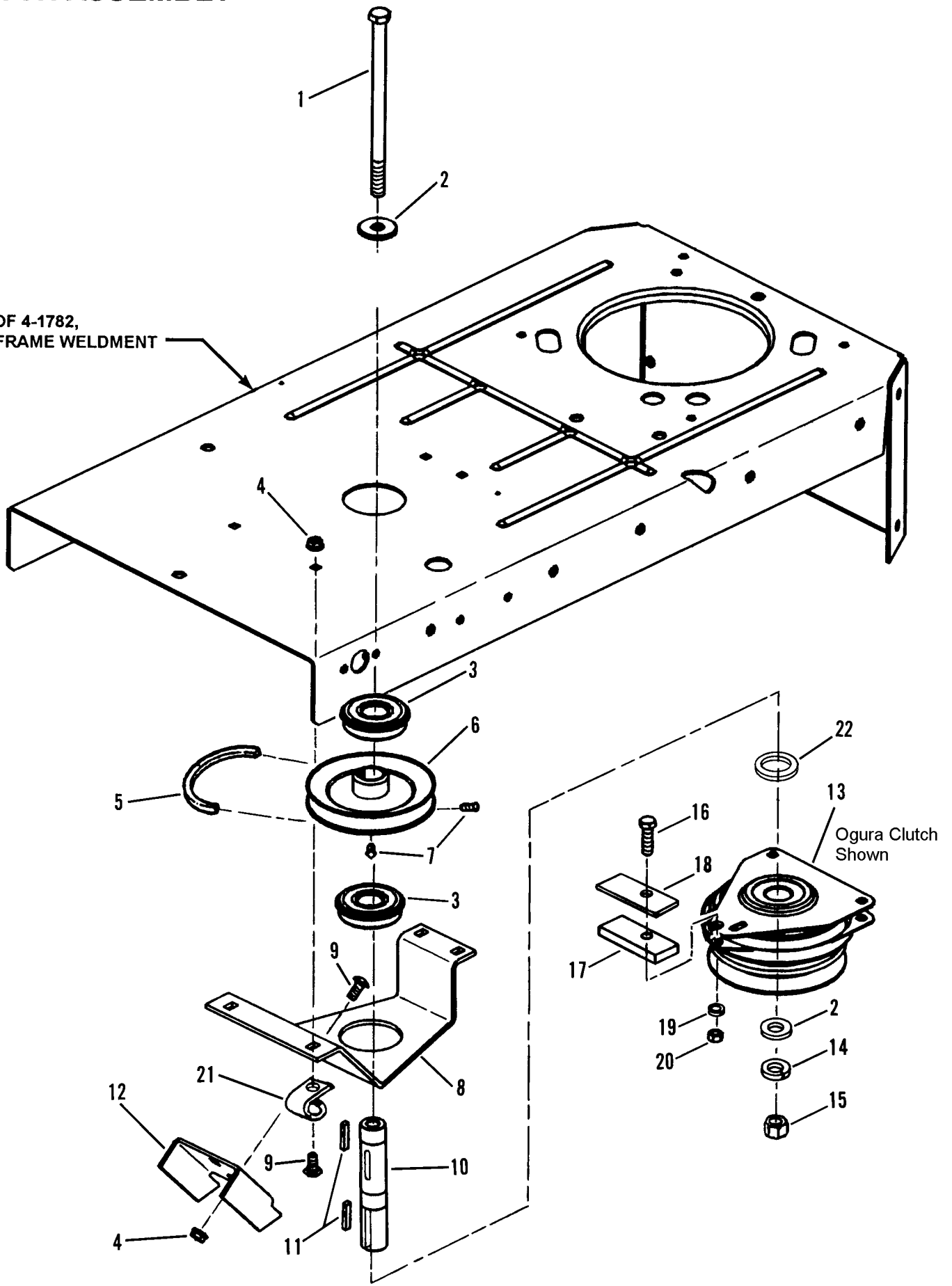
FENDER & TRANSAXLE ASSEMBLY

ITEM	PART NO.	DESCRIPTION
1	2-9128	TRANSAXLE, Hydro L.H. (Eaton Model X778-005)
2	2-9129	TRANSAXLE, Hydro w/o Manifold R.H. (Eaton Model X778-011)
3	1-5894	KEY, #605 Woodruff (2)
4	9-0539	SCREW, 1/4-20 x 1/2" Self-Tapping (8)
5	3-5337	FAN, 6" O.D., 10 Blade (2)
6	3-5336	PULLEY, Hydro Input (2)
7	9-1771	RING, Retaining (2)
8	2-9118	V-BELT, Hydro Drive
9	3-4915	BRACKET, Fender Support (2)
10	3-4916	BRACKET, Hydro Support
11	9-0362	SCREW, 1/4-20 Hex Washer Head, Self-Tapping (4)
12	3-4909	FENDER, L.H.
13	3-4908	FENDER, R.H. (Not Shown)
14	3-4917	BRACKET, Deck Support L.H.
15	3-5424	BRACKET, Deck Support R.H. (Not Shown)
16	9-1000	SCREW, 5/16-18 x 7/8" Pan Head, Self-Tapping (4)
17	9-0368	SCREW, 5/16-18 x 3/4" Hex Washer Head, Self-Tapping (26)
18	9-0324	SCREW, 3/8-16 x 1" Hex Washer Head, Self-Tapping (8)
19	3-4922	BRACKET, Hydro Control Cable (2)
20	2-9147	ROD END, #10-32 w/Stud (4)
21	9-1801	NUT, #10-32 Hex Center Lock (4)
22	2-9170	CABLE, L.H. Hydraulic Control (45.5")
23	2-9169	CABLE, R.H. Hydraulic Control (Not Shown) (35")
24	3-9484	BRACKET, Hydro Release Cable
25	9-0361	SCREW, 5/16-18 x 5/8" Hex Washer Head, Self-Tapping (2)
26	3-9483	BRACKET, Hydro Release Actuator (2)
27	1-2114	BUSHING, (2)
28	9-1841	SCREW, 5/16-18 x 1" Hex Washer Head, Self-Tapping (2)
29	3-4913	ARM, Brake (2)
30	9-1165	BOLT, 1/4-28 x 5/8" Hex Head, Grade 8 (4)
31	9-0746	WASHER, 1/4 Belleville (4)
32	3-4914	ARM, Brake (2)
33	9-1514	WASHER, 3/8 Flat (6)
34	2-9284	ROD, R.H. Brake
35	2-9142	ROD, L.H. Brake (Not Shown)
36	9-1593	COTTER-PIN, 3/8 Self-Locking (4)
37	2-4586	LINK, Swivel Brake (2)
38	2-8091	SPRING, Brake Compression (2)
39	9-1299	NUT, 3/8-16 Nyloc (2)
40	3-9485	CABLE, Hydro Release Valve
41	4-4767	DECAL, Hydro Reservoir

NOTE: MOBIL 1 DTE 26 OIL FOR HYDROTRANSAXLE

CLUTCH ASSEMBLY

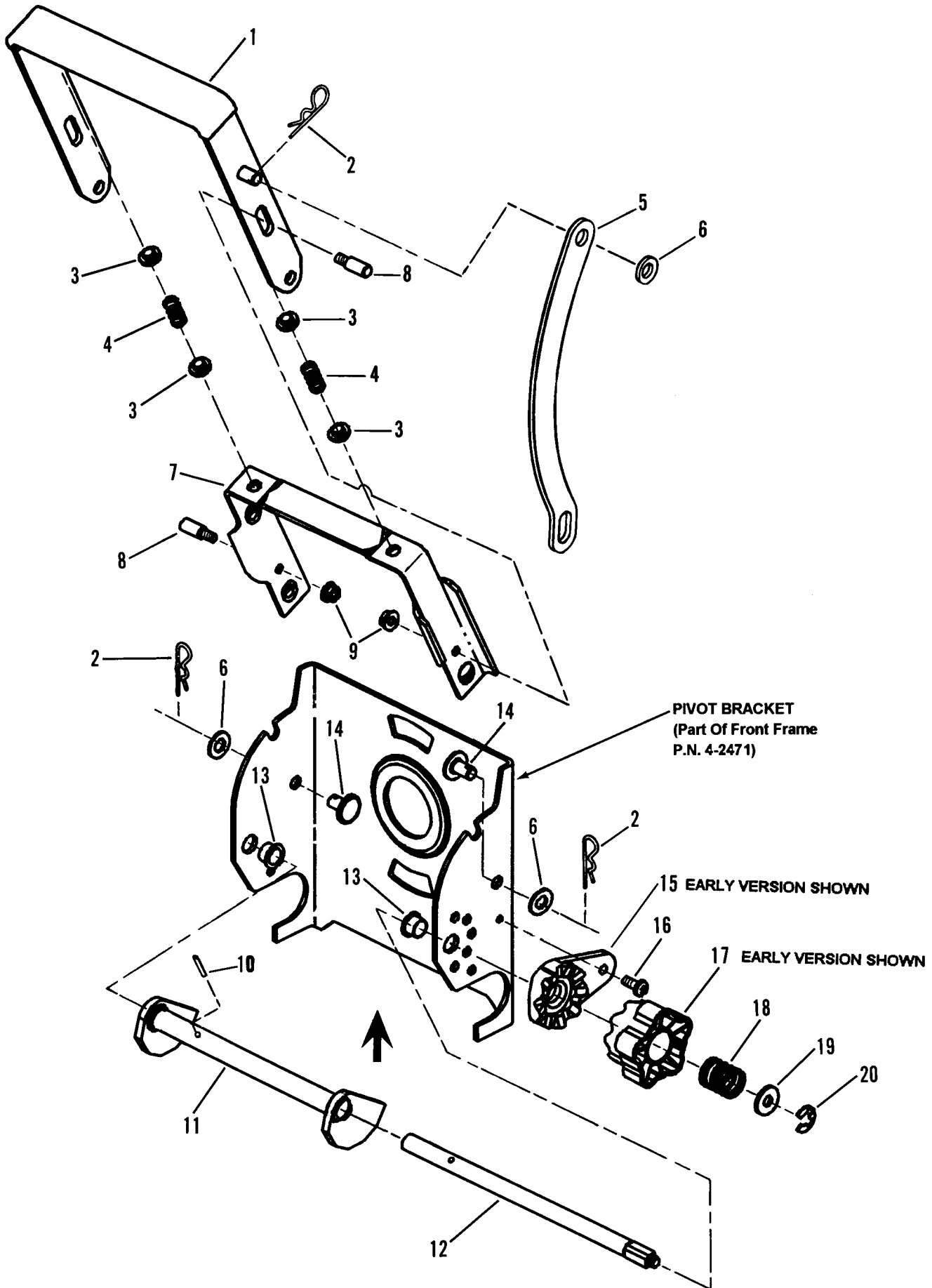
PART OF 4-1782,
REAR FRAME WELDMENT



CLUTCH ASSEMBLY

ITEM	PART NO.	DESCRIPTION
1	9-1735	SCREW, 7/16-20 x 8" Hex Head Cap
2	2-9138	WASHER, 7/16 x 1" O.D. Flat (2)
3	2-9136	BEARING, 6305 w/Snap-Ring (2)
4	9-1070	NUT, 5/16-18, Grade 5 (6)
5	2-9117	V-BELT, Drive
6	2-9107	PULLEY, Jackshaft
7	9-1829	SETSCREW, 1/4-20 x 1/2" w/Patch (2)
8	3-4911	SUPPORT, Jackshaft
9	9-1508	BOLT, 5/16-18 x 3/4 Carriage, Grade 5 (6)
10	2-9135	JACKSHAFT
11	1-3250	KEY, 1/4 x 1" Square (2)
12	3-4912	BRACKET, Anti-Rotate (Ogura)
--	3-5941	BRACKET, Anti-Rotate (Warner)
13	2-9232	CLUTCH, Electric (Ogura) 33" Models
--	5-3740	CLUTCH, Electric (Warner) 38" & 42" Models
14	9-1301	WASHER, 7/16" Split Lock
15	9-0460	NUT, 7/16-20, Grade B
16	9-1527	SCREW, 5/16-18 x 1-1/4", Hex Head Cap, Grade 5
17	2-9704	BUMPER, Electric Clutch
18	3-4448	WASHER, Rectangular Steel
19	9-1315	WASHER, 5/16" Split Lock
20	9-1511	NUT, 5/16-18, Grade 5
21	1-2652	CLIP, Wire, 7/16
22	2-9137	WASHER (Ogura Clutch) 1.312" OD, .125" Thick
--	3-5841	WASHER (Warner Clutch) 1.375" OD, .75" Thick

DECK LIFT HANDLE ASSEMBLY

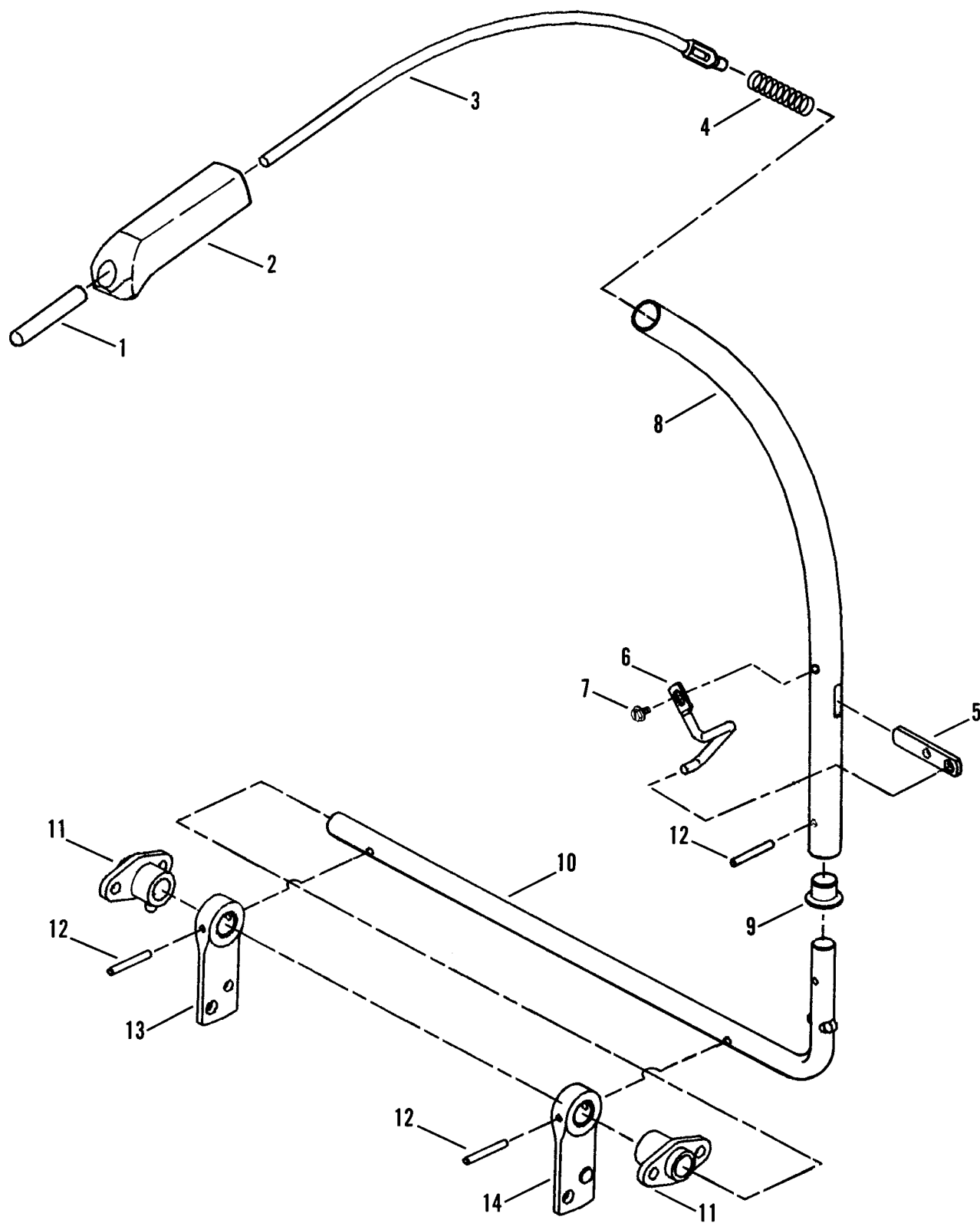


DECK LIFT HANDLE ASSEMBLY

ITEM	PART NO.	DESCRIPTION
1	4-2640	HANDLE, Deck Lift
2	9-1503	HAIRPIN, 3/32 x 1-1/2" (3)
3	3-5486	PLUG, Spring Retainer (4)
4	3-5487	SPRING (2)
5	3-5489	BAR, Deck Lift
6	9-1514	WASHER, 3/8" Flat (3)
7	3-5291	LEVER, Deck Lift Handle Release
8	3-5942	PIN, Deck Lift Handle (2)
9	9-1584	NUT, 1/4-20 Hex Flange Lock, Grade 5 (2)
10	1-3877	ROLL-PIN, 1/8 x 1"
11	4-2641	CAM, Deck Lift
12	3-5491	SHAFT, Deck Height Cam
13	1-4342	BEARING, Nylon (2)
14	9-1887	PIN, 3/8 x 1/2" Large Head Clevis (2)
15	3-5996	DETENT, Height Cam
16	9-0999	SCREW, 1/4-20 x 5/8" Pan Head, Self-Tapping
17	3-5995	KNOB, Height Cam Detent
18	3-5994	SPRING, Deck Height Handle
19	9-1130	WASHER, 5/16" Flat
20	1-2614	RING, .298 Retaining

NOTE: IF EITHER ITEM 15 (DETENT) OR ITEM 17 (KNOB) NEED REPLACING, IT MAY BE NECESSARY TO PURCHASE BOTH PARTS. THERE WAS AN EARLIER VERSION OF THESE PARTS (SHOWN) WITH ROUNDED ENDS; THE NEW VERSION HAS SQUARED OFF ENDS. THE SQUARED OFF ENDS WILL NOT WORK WITH THE ROUNDED ONE (AND THE OLD ROUNDED VERSION IS NO LONGER AVAILABLE FOR PURCHASE).

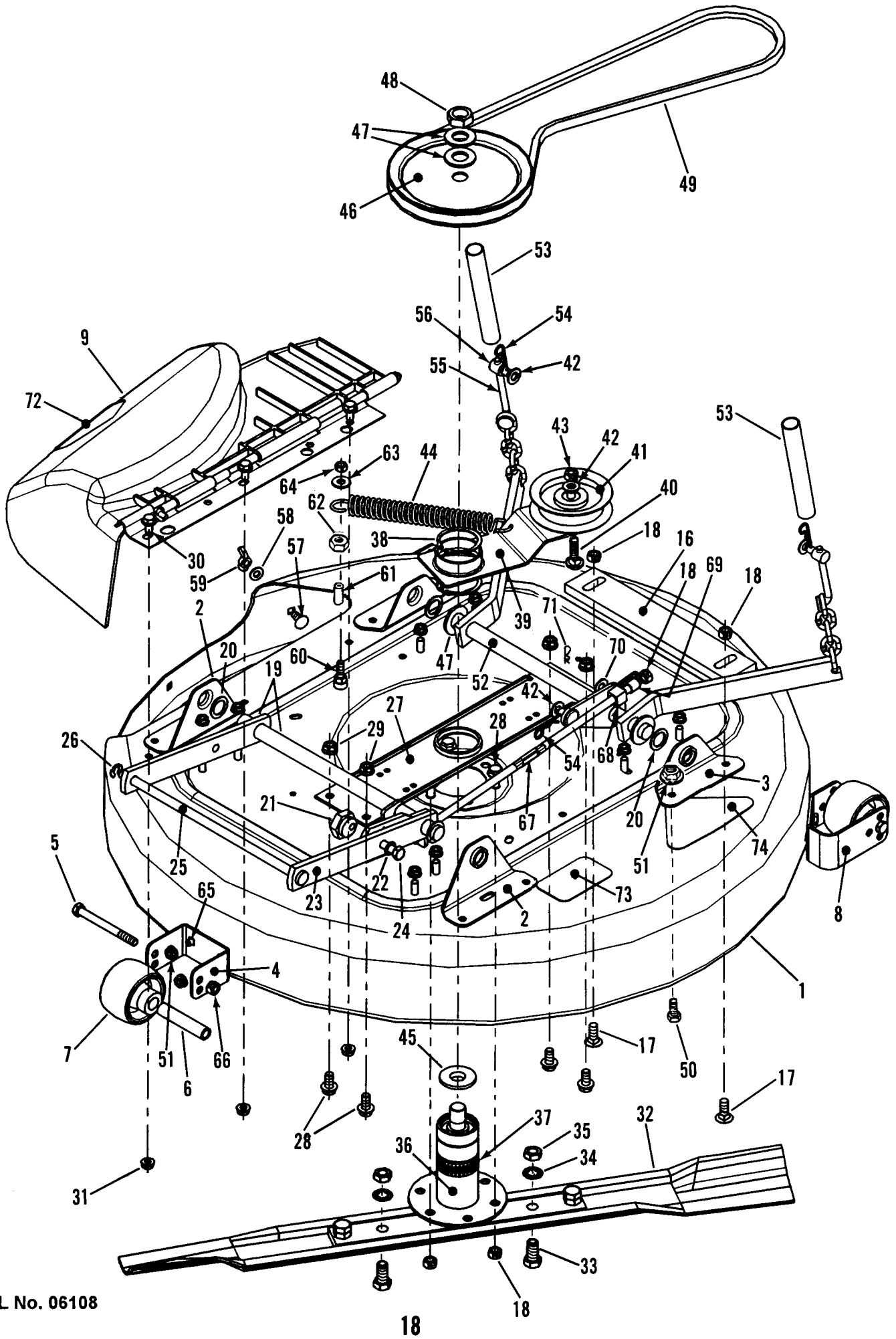
BRAKE/CLUTCH LEVER ASSEMBLY



BRAKE/CLUTCH LEVER ASSEMBLY

ITEM	PART NO.	DESCRIPTION
1	2-9383	GRIP, 5/16 x 2-1/2" Vinyl
2	3-5945	GRIP, Brake/Clutch Handle
3	3-5479	ROD, Park Brake
4	3-5946	SPRING, Brake/Clutch Release
5	3-5485	ARM, Brake/Clutch Lever
6	3-5484	PIVOT, Brake/Clutch Lever
7	9-1293	SCREW, 1/4-20 x 3/8" Slotted Hex Washer Head, Self-Tapping
8	3-5480	TUBE, Brake/Clutch Lever
9	1-0694	BUSHING, Nylon
10	2-9207	ROD, Brake/Clutch
11	5-2431	PIVOT, Foot Shaft Assembly (2)
12	9-0841	ROLL-PIN, 3/16 x 1-1/2" (3)
13	2-9208	ARM, Brake/Clutch
14	4-2614	ARM, Brake/Clutch

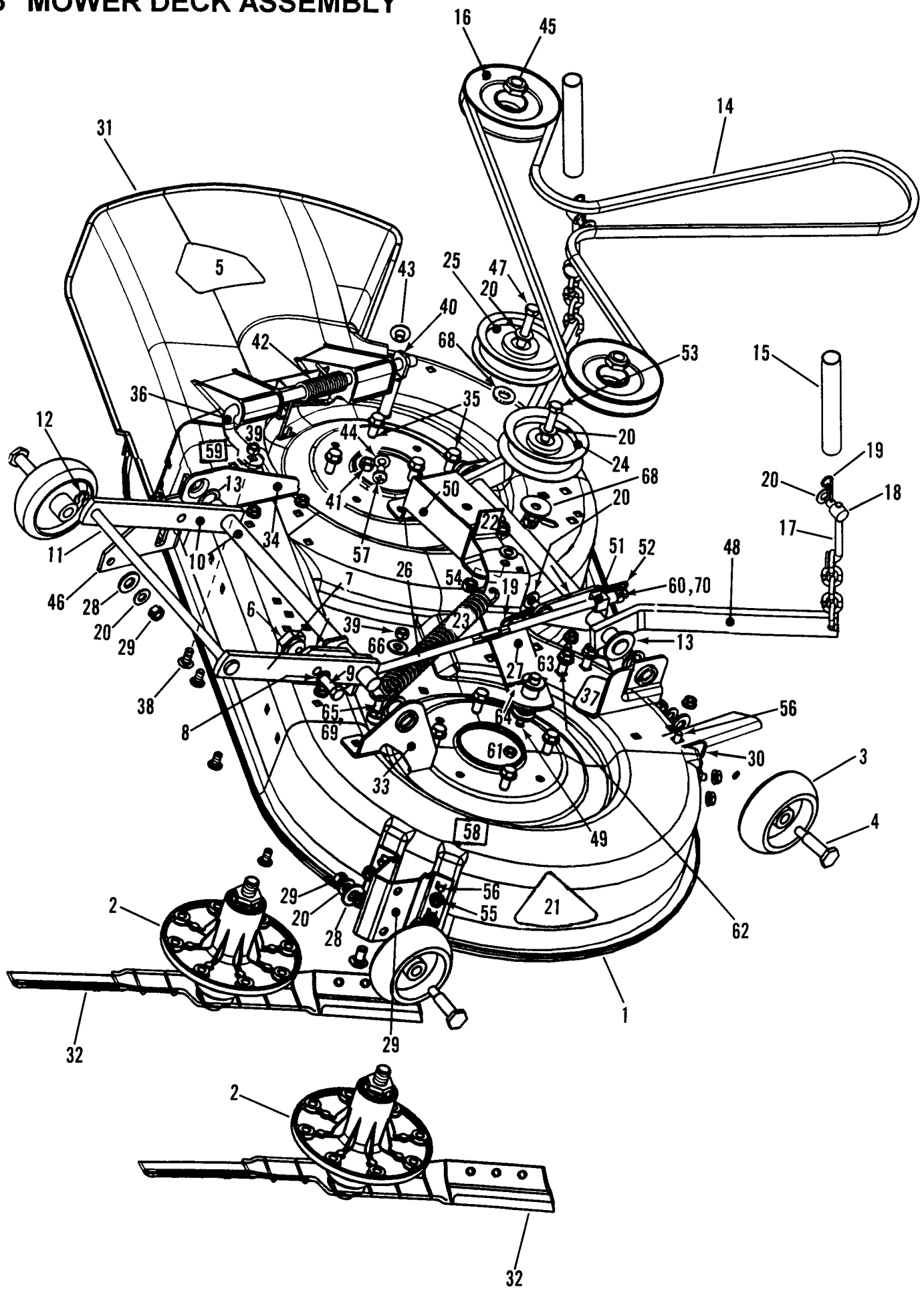
33" MOWER DECK ASSEMBLY



33" MOWER DECK ASSEMBLY

ITEM	PART NO.	DESCRIPTION	ITEM	PART NO.	DESCRIPTION
1	3-6580	DECK, 33"	41	2-7717	IDLER, 4" O. D. Flat
2	3-4866	BRACKET, Deck Lift Slotted (2)	42	9-1514	WASHER, 11/32" Flat (4)
3	3-4867	BRACKET, Deck Lift (2)	43	9-1585	NUT, 3/8-16 Hex Lock
4	3-3570	BRACKET, Anti-Scalp Adj. Front	44	3-5969	SPRING, External
5	9-1532	SCREW, 3/8-24 x 3/4" H.H. Cap (3)	45	1-4407	WASHER, Spindle
6	1-5272	SPACER, 3" Long (3)	46	2-6558	PULLEY, Spindle
7	1-9190	WHEEL, Gage (3)	47	3-2028	WASHER, 25/32" Flat (4)
8	3-3571	BRACKET, Anti-Scalp Adj.Side (2)	48	1-0027	NUT, 3/4-16 Hex Jam
9	5-2555	ASY, Chute 28" & 33" Discharge	49	3-5389	BELT, HA 33" Deck
10	1-6341	HINGE, Spring	50	9-0595	BOLT, 5/16-18 x 3/4" Hex Flange Lock (8)
11	2-6233	CHUTE, Discharge	51	9-0585	NUT, 5/16-18 H. F. Lock (14)
12	2-6234	ROD, Chute	52	4-2585	ARM, Rear Lift
13	2-6483	WASHER, Palnut	53	2-8021	COVER, Chain (2)
14	2-6831	DECAL, CPSC	54	9-1503	PIN, 3/32 x 1-1/2" Hair (3)
15	3-3780	HINGE, Side Chute Plastic	55	2-8728	ADJUSTER, Chain (2)
16	3-6579	BAR, Weight Rear	56	2-8200	SWIVEL, Adjustable (2)
17	9-0747	BOLT, 3/8-16 x 1" Carriage (2)	57	9-1508	BOLT, 5/16-18 x 3/4" Carriage Grade 5
18	9-0546	NUT, 3/8-16 Hex Lock (6)	58	9-1296	WASHER, 11/32" Grade 5
19	4-2586	ARM, Front Lift	59	9-0492	NUT, 5/16-18 Wing
20	1-0935	WASHER, 3/4" (4)	60	9-0700	BOLT, 5/16-18 x 1-1/2" Hex Flange Lock
21	1-5447	ECCENTRIC, Leveling	61	2-8620	SPACER, 11/32"
22	9-0390	WASHER, 3/8" Internal Tooth Lock	62	9-1067	NUT, 5/16-18 Hex Lock
23	3-4815	ARM, Front Lift	63	9-1528	WASHER, 3/8" Flat
24	9-0163	SCREW, 3/8-24 x 1-1/4" H. H. Cap	64	9-1585	NUT, 5/16-18 Hex Lock
25	2-2717	ROD, Deck Support	65	9-0004	BOLT, 5/16-18 x 1/2" Carriage (6)
26	1-7847	RING, 7/16" Snap	66	9-1600	NUT, 3/8-24 Hex Lock (3)
27	3-8018	BRACE, Spindle	67	3-5495	ROD, Cutting Deck Timing
28	9-0612	BOLT, 3/8-16 x 3/4" Hex Flange Lock, Grade 5 (7)	68	2-4586	SWIVEL, Brake Link PM
29	9-0613	NUT, 3/8-16 Hex Flange Lock (4)	69	2-1815	SPACER, 25/64"
30	9-1811	BOLT, 5/16-18 x 5/8" Hex Flange Lock, Grade 5 (3)	70	9-0122	WASHER, 3/8"
31	9-1601	NUT, 5/16-18 Hex Flange Lock Grade 5 (3)	71	1-6231	PIN, Hair
32	3-4168	BLADE, 33" High Lift	72	1-4852	DECAL, Caution
33	9-0392	SCREW, 1/2-20 x 1" H. H. Cap (2)	73	1-6973	DECAL, Caution
34	9-0509	WASHER, 1/2" Internal Tooth Lock (2)	74	2-2991	DECAL, Hi-Vac
35	9-0559	NUT, 1/2-20 Hex Jam (2)			
36	5-2917	ASSEMBLY, Spindle			
37	1-2670	RING, 2" Tolerance			
38	1-0740	RING, 2" Retaining (2)			
39	4-2587	ARM, Idler			
40	9-0990	BOLT, 3/8-16 x 2" Carriage			

38" MOWER DECK ASSEMBLY

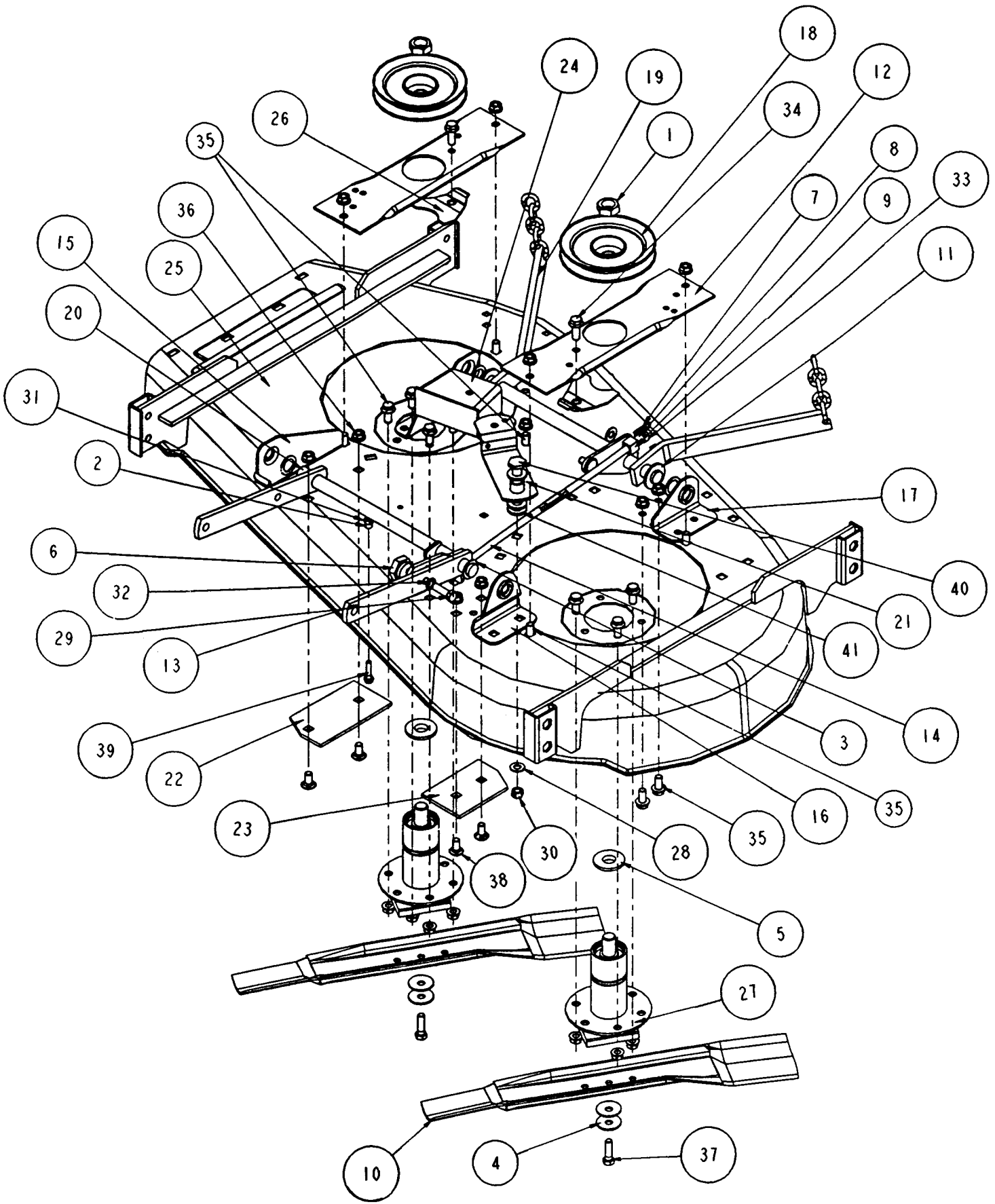


38" MOWER DECK ASSEMBLY

ITEM	PART NO.	DESCRIPTION
1	3-5646	DECK, 38"
2	5-2847	ASSEMBLY, Spindle (2)
3	2-6122	WHEEL 4 x 1-1/2" Offset (3)
4	9-1526	SHOULDER BOLT, 3/8-24 (3)
5	2-6831	DECAL, CPSC- Heavy Adhesive
6	1-5447	ECCENTRIC, Leveling
7	3-4815	LIFT ARM, Front
8	9-0390	WASHER, 3/8" Internal Tooth Lock
9	9-0163	SCREW, 3/8-24 x 1-1/4" Hex Head Cap. Grade 5
10	4-2586	LIFT ARM, Front
11	2-2717	ROD, Deck Support
12	1-7847	RING, .438 External Retaining
13	1-0935	WASHER, 3/4" I.D.x 1-1/8" Flat (4)
14	2-9308	V-BELT, HA Section
15	2-8021	COVER, Chain (2)
16	2-9213	PULLEY, 4-1/2" O.D., A/B Groove (2)
17	2-8728	ADJUSTER, Chain (2)
18	2-8200	SWIVEL, Adjustable (2)
19	9-1503	HAIR PIN, 3/32 x 1-1/2" (3)
20	9-1514	WASHER, 3/8" I.D. x 13/16" O.D. Flat (10)
21	2-6154	DECAL, 38 Inch
22	3-6561	BELT GUIDE, 38/42
23	3-5969	SPRING, Extension
24	2-7717	IDLER, 4" O.D. Flat
25	1-8574	IDLER, 4-1/8" O.D. Flat
26	3-5495	ROD, Cutter Deck Timing
27	4-2646	ARM, Idler
28	9-1587	WASHER, 1/2" x 1-1/16" Flat (3)
29	3-3756	BRACKET, Gage Wheel
30	3-3891	BRACKET, L.H. Wheel
31	2-9425	CHUTE, Discharge
32	2-4466	BLADE, 19-1/2" (2)
33	3-4861	BRACKET, 38 Deck Lift, L.H. Front
34	3-4863	BRACKET, 38 Deck Lift, R.H. Front
35	9-0815	SCREW, 3/8-16 x 3/4" Hex Washer Self-Tap (8)
36	3-5502	ROD, Pivot, Side Discharge
37	3-5566	BRACKET, L.H. Rear Lift Arm
38	9-1508	BOLT, 5/16-18 x 3/4" Carr., Grade 5
39	9-1575	NUT, 5/16-18 Hex Center Lock, Grade 5 (2)
40	3-5503	ROD, Mounting, Side Discharge

ITEM	PART NO.	DESCRIPTION
41	9-0613	NUT, 3/8-16 Hex Flange Lock (3)
42	3-5813	SPRING, Torsion- Side Discharge
43	3-6543	TEENUT, 5/16-18 Thread
44	9-1296	WASHER, 5/16" I.D. x 11/16", Flat
45	9-1006	NUT, 5/8-18 Lock (2)
46	3-5494	BRACKET, Gage Wheel
47	9-1305	SCREW, 3/8-16 x 2", Hex Head Cap, Grade 5
48	4-2585	TIMING ARM, Rear
49	4-2964	STUD, Idler
50	4-4648	BRACKET, Stationary Idler
51	2-4586	SWIVEL, Brake Link
52	1-6231	HAIR PIN, #13
53	9-1553	SCREW, 3/8-16 x 1-3/4" Hex Head Cap, Grade 5
54	9-1585	NUT, 3/8-16 Hex Ctr Lock, Gr. 5 (2)
55	9-0585	NUT, 5/16-18 Hex Flange Lock, Grade 5 (13)
56	9-1026	BOLT, 5/16-18 x 5/8" Carriage, Grade 5 (13)
57	9-1833	SCREW, 5/16-18 x 5/8" Pan Head
58	1-6973	DECAL, Caution
59	1-4852	DECAL, Caution
60	9-0546	NUT, 3/8-16 Hex Ctr. Lock, Grade 5
61	1-1201	NUT, 5/16-24 Hex Center Lock
62	9-0850	BOLT, 3/8-16 x 3/4" Carr., Gr. 5 (3)
63	9-1587	WASHER, 1/2" I.D. x 1-1/16" O.D. Flat (3)
64	9-0037	COTTER-PIN, 3/32 x 3/4"
65	9-0958	BOLT, 5/16-18 x 1-1/2" Carr., Gr. 5
66	9-1528	WASHER, 3/8" I.D. x 7/8" O.D. Flat
67	3-2028	WASHER, 3/4" I.D. x 1-1/2" O.D. Flat (2)
68	1-2063	WASHER, Cone
69	2-8620	SPACER, 11/32"
70	2-1815	SPACER, 25/64"
*	6-1957	Deck Shell with Decals 38"

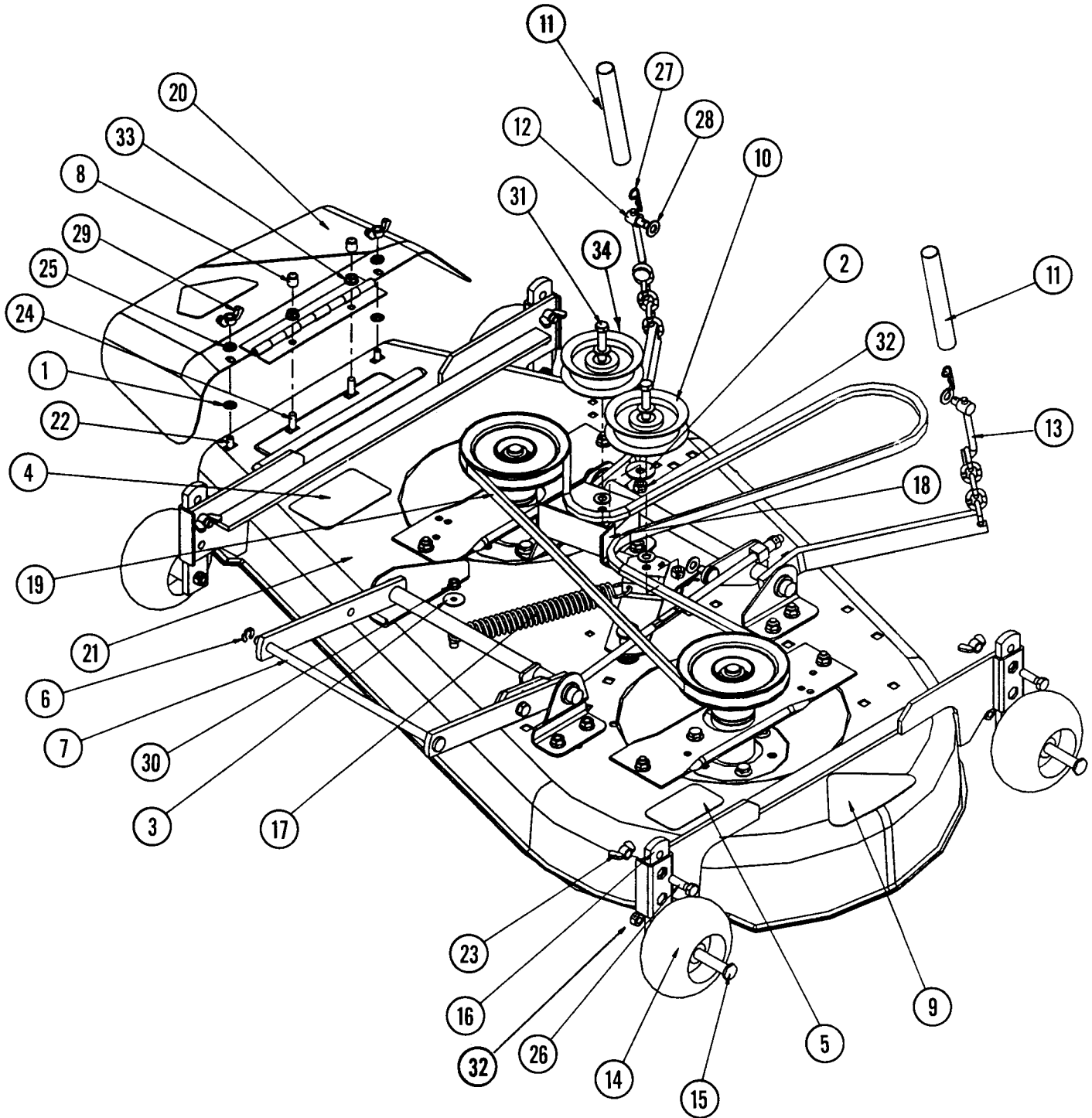
42" MOWER DECK SUB-ASSEMBLY



42" MOWER DECK SUB-ASSEMBLY

ITEM	PART NO.	DESCRIPTION
1	1-0027	NUT, 3/4-16 Hex Flange Jam (2)
2	1-0916	SPACER, .26 x .3
3	1-0935	WASHER, 3/4" x 1-1/8" (4)
4	1-2063	WASHER, Cone (4)
5	1-4407	WASHER, Spindle (2)
6	1-5447	ECCENTRIC, Leveling
7	1-6231	HAIR PIN, #13
8	2-1815	SPACER, MF1200
9	2-4586	SWIVEL, Brake Link
10	2-6691	BLADE, 21" Standard Lift (2)
11	3-2028	WASHER, 3/4 I.D. x 1-1/2" O.D. Flat (2)
12	3-3366	BRACE, Spindle (2)
13	3-4815	LIFT ARM, Front
14	3-5495	ROD, Cutter Deck Timing
15	3-5982	BRACKET, R.H. Front Lift, 42" Deck
16	3-5983	BRACKET, L.H. Front Lift, 42" Deck
17	3-5985	BRACKET, L.H. Rear Lift, 42" Deck
18	3-6437	PULLEY, 5-1/4" (2)
19	4-2585	LIFT ARM, Rear
20	4-2586	LIFT ARM, Front
21	4-2650	IDLER ARM
22	4-2811	REINFORCEMENT, R.H.
23	4-2812	REINFORCEMENT, L.H.
24	4-4651	IDLER, Stationary
25	4-4668	Deck Weldment
26	5-1747	Assembly, Spindle Lock (2)
27	5-9723	ASSEMBLY, Spindle Brake (2)
28	9-0122	WASHER, 3/8 Flat (2)
29	9-0163	SCREW, 3/8-24 x 1-1/4" Hex Head Cap
30	9-0289	NUT, 3/8-24 Hex Center Lock
31	9-0372	NUT, 1/4-20 Hex Center Lock
32	9-0390	WASHER, 3/8 Internal Tooth Lock
33	9-0546	NUT, 3/8-16 Hex Center Lock
34	9-0582	BOLT, 3/8-16 x 1" Hex Flange Lock (2)
35	9-0612	BOLT, 3/8-16 x 3/4" Hex Flange Lock, Grade 5 (14)
36	9-0613	NUT, 3/8-16 Hex Flange Lock (18)
37	9-0824	SCREW, 3/8-24 x 1-1/4" Hex Head Cap, Grade 5 (2)
38	9-0850	BOLT, 3/8-16 x 3/4" Carriage (4)
39	9-0872	BOLT, 1/4-20 x 1-1/8, Grade 5
40	9-1526	SHOULDER BOLT, 3/8-24 x 5/8"
41	9-1587	WASHER, 1/2" I.D. x 1-1/16" O.D. (3)
*	6-1958	Deck Shell with Decals 42"

42" MOWER DECK ASSEMBLY

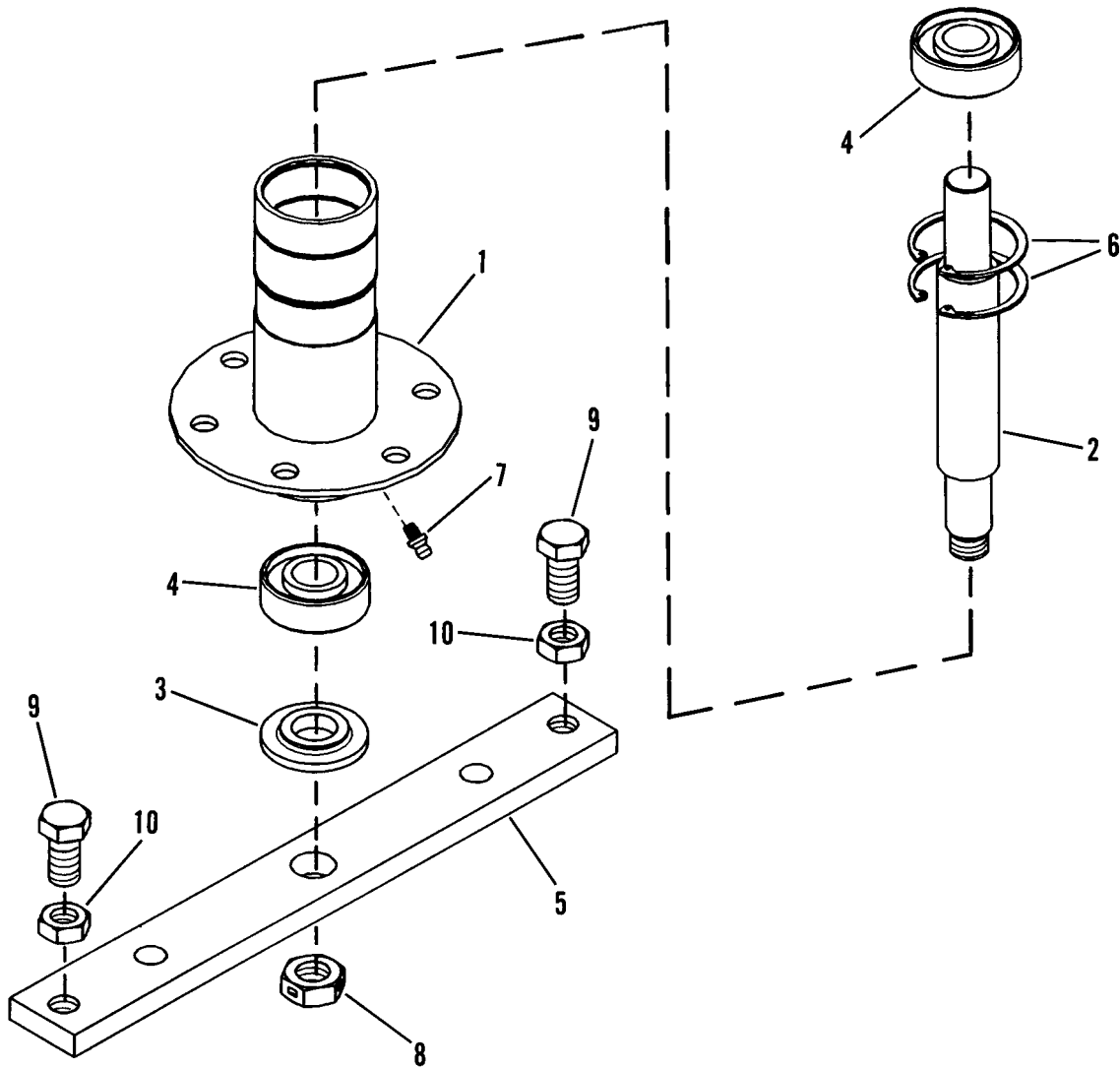


42" MOWER DECK ASSEMBLY

ITEM	PART NO.	DESCRIPTION
1	1-1791	RETAINER, 5/16 Bolt (2)
2	1-2063	WASHER, Cone
3	1-4241	WASHER, 1/4" I.D. x 1" O.D.
4	1-4852	DECAL, CAUTION
5	1-6973	DECAL, CAUTION
6	1-7847	RING, 7/16" Snap
7	2-2717	ROD, Deck Support
8	2-3606	CAP, Vinyl (2)
9	2-4910	DECAL, 42 Inch
10	2-7717	IDLER, 4" Outside Diameter, Flat
11	2-8021	CHAIN, Cover (2)
12	2-8200	SWIVEL, Adjustable (2)
13	2-8728	ADJUSTER, Chain (2)
14	2-9264	WHEEL, Gauge (4)
15	2-9265	BOLT, 3/8-16 x 3-3/8" Gauge Wheel (4)
16	3-5835	POST, Anti-Scalp (4)
17	3-5969	SPRING, External
18	3-6561	GUIDE, 38"/42" Idler Belt
19	3-6585	BELT, 42"
20	5-1401	ASSEMBLY, 41" Chute
20A	2-6831	DECAL, CPSC Heavy Adhesive
20B	1-4474	HINGE, Side Chute
20C	3-5028	CHUTE, Side
21	5-4343	DECK, 42" Painted (Includes blades, spindles and brackets)
22	9-0799	BOLT, 5/16-18 x 5/8" Short Neck Carriage, Grade 5 (2)
23	9-1049	NUT, 3/8-16 Wing, Nylon Ring (4)
24	9-1303	BOLT, 5/16-18 x 1" Short Neck Carriage, Grade 5 (2)
25	9-1315	WASHER, 5/16" Split Lock (2)
26	9-1328	SCREW, 3/8-16 x 1-1/4" Hex Head Cap, Grade 5 (4)
27	9-1503	HAIRPIN, 3/32 x 1-1/2" (3)
28	9-1514	WASHER, 13/32" Flat (7)
29	9-1537	NUT, 5/16-18 Wing Lock (2)
30	9-1545	NUT, 1/4-20 Hex Flange Lock
31	9-1553	SCREW, 3/8-16 x 1-3/4" Hex Head Cap (2)
32	9-1585	NUT, 3/8-16 Hex Lock (6)
33	9-1601	NUT, 5/16-18 Flange Lock (2)
34	1-8574	PULLEY

NOTE: 6-1958 (42" Replacement Deck) is a painted deck with decals.

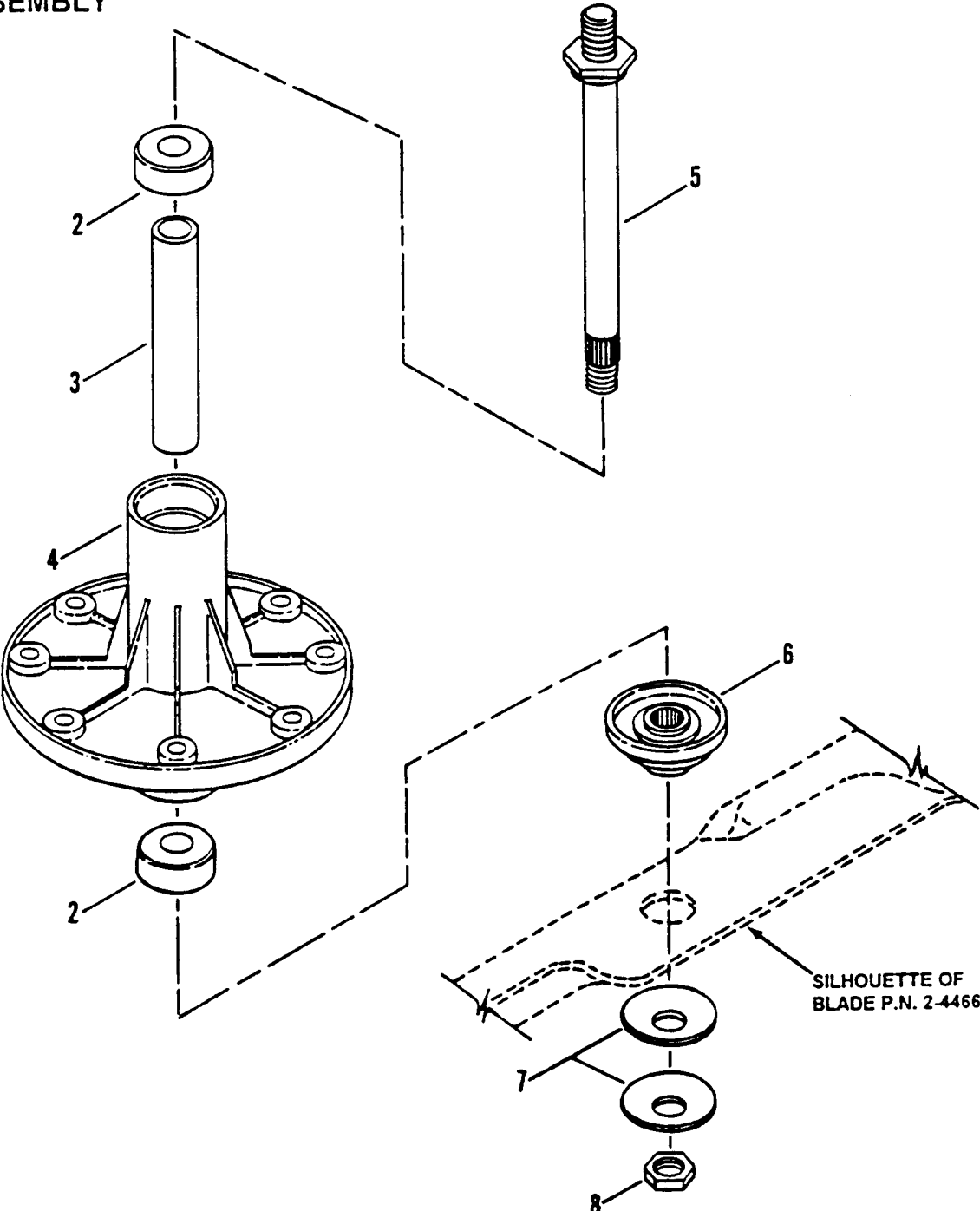
33" SPINDLE ASSEMBLY



ITEM	PART NO.	DESCRIPTION
1	4-7962	HOUSING, Spindle
2	2-4687	SPINDLE, Shaft 7.54"
3	1-4407	WASHER
4	1-3313	BEARING, Spindle (2)
5	3-7751	HOLDER, Blade
6	1-2491	RING, 1-3/4" External Retaining (2)
7	1-0817	FITTING, Lube
8	9-0356	NUT, 5/8-18 Hex Center Lock Jam
9	9-0392	SCREW, 1/2-20 x 1" Hex Head Cap (2)
10	9-0559	NUT, 1/2-20 Hex Jam (2)

38" SPINDLE ASSEMBLY

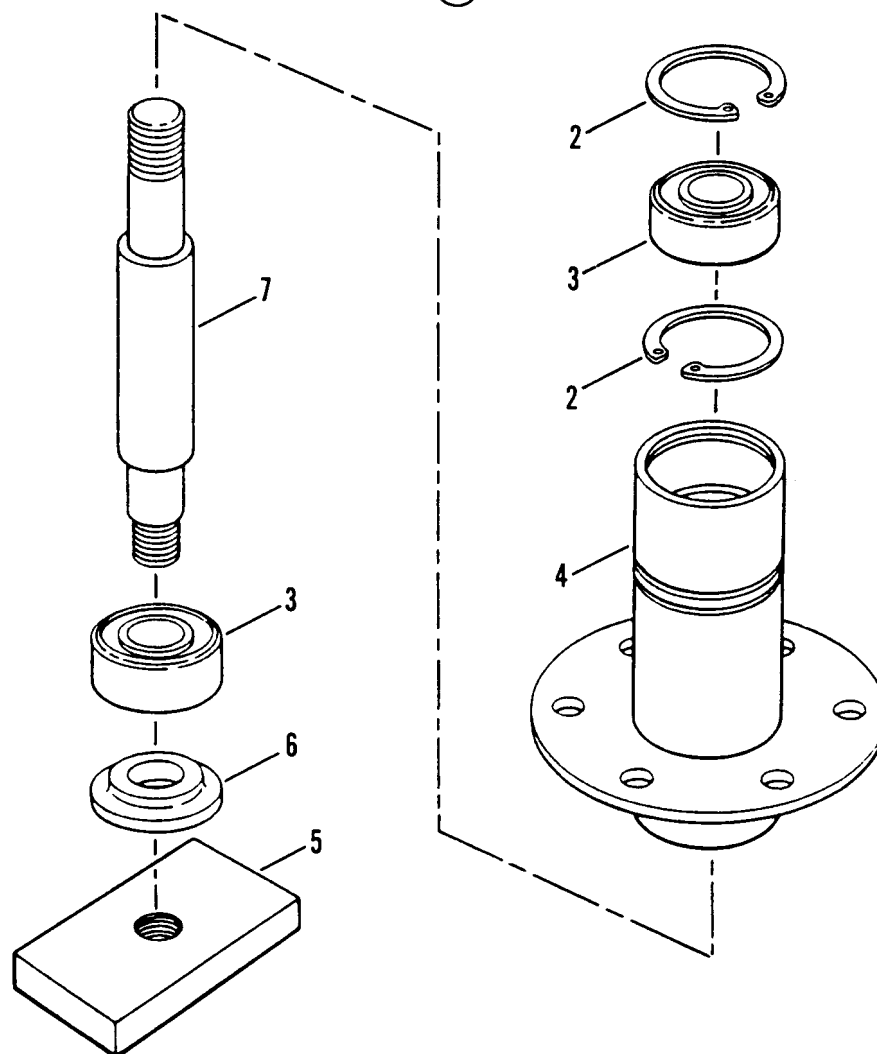
① ASSEMBLY



ITEM	PART NO.	DESCRIPTION
1	5-2847	ASSEMBLY, Spindle Housing 38" Cutting Deck (Includes items 2 thru 8)
2	2-6808	BEARING, Spindle (2)
3	2-4465	SPACER, Spindle Housing
4	2-4461	HOUSING, Spindle
5	2-6754	SPINDLE
6	2-4463	SPACER, Blade
7	2-4467	WASHER, Belleville, 19/32" I.D. x 1-3/4" O.D. (2)
8	9-1633	NUT, 9/16-18 Hex Jam

42" SPINDLE ASSEMBLY

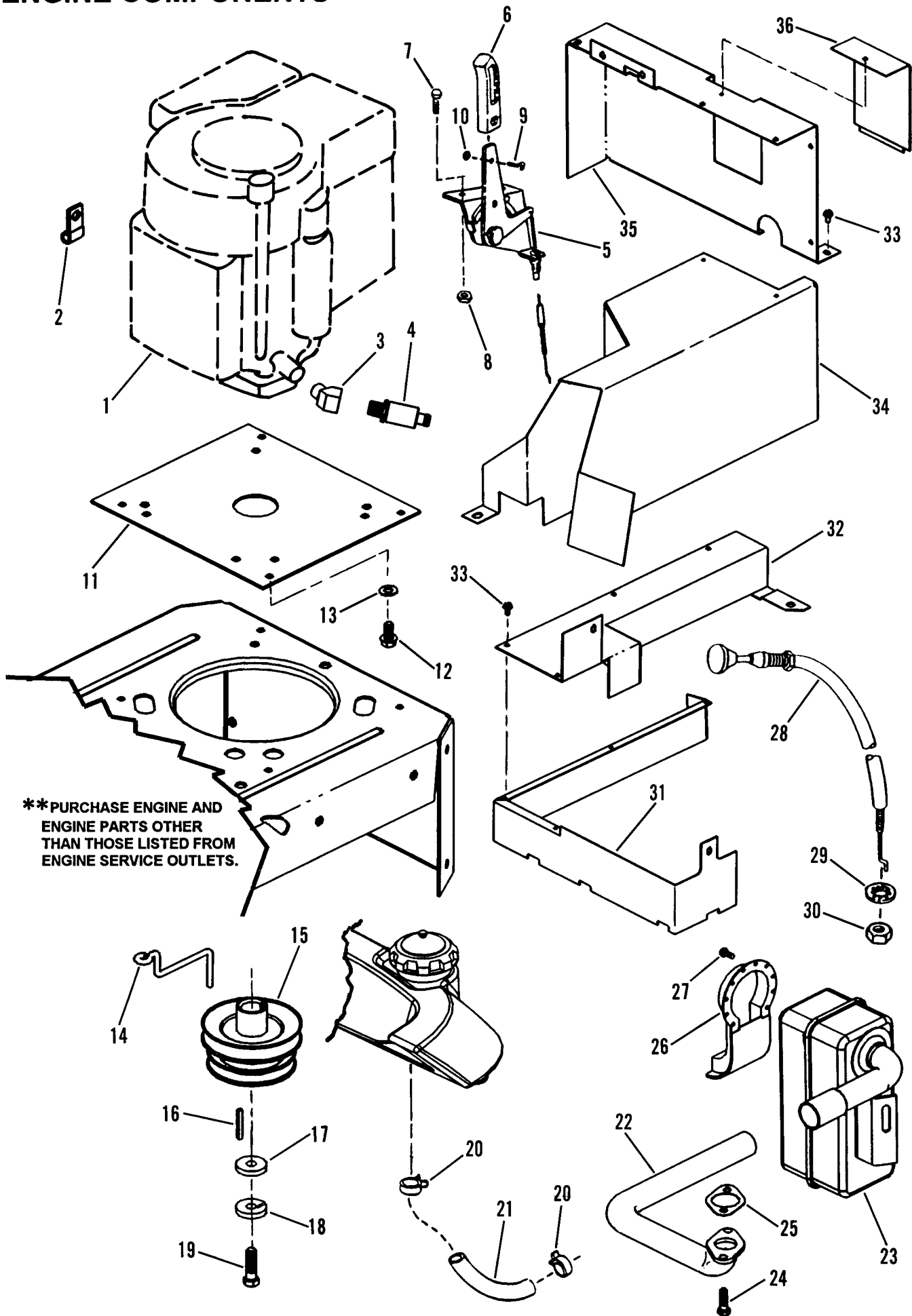
① ASSEMBLY



ITEM	PART NO.	DESCRIPTION
1	5-9723	ASSEMBLY, Spindle Housing, 42" Cutting Deck (Includes items 2 thru 7)
2	1-2491	RING, Retaining (2)
3	1-3313	BEARING, Spindle (2)
4	4-7917	HOUSING, Spindle
5	3-2294	HOLDER, Blade
6	1-4407	WASHER, Spindle
7	2-7668	SPINDLE 6.5"

Blank Page

ENGINE COMPONENTS

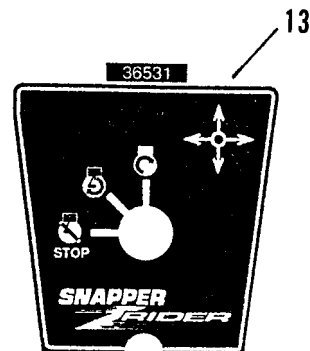
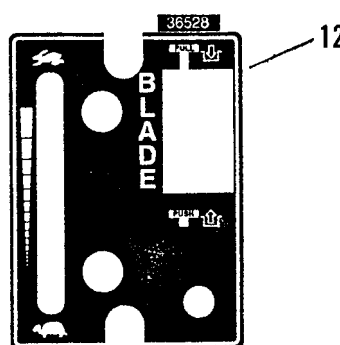
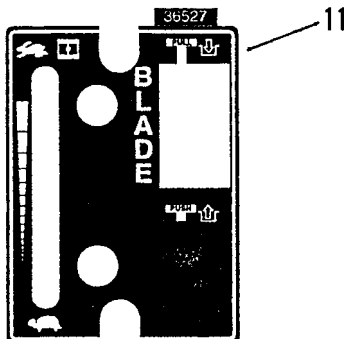
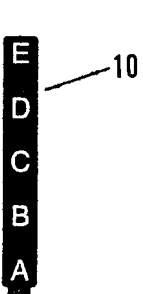
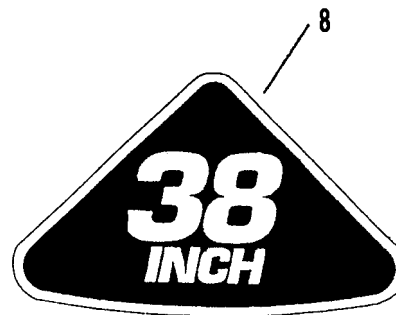
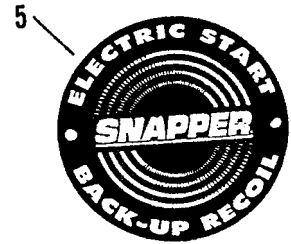
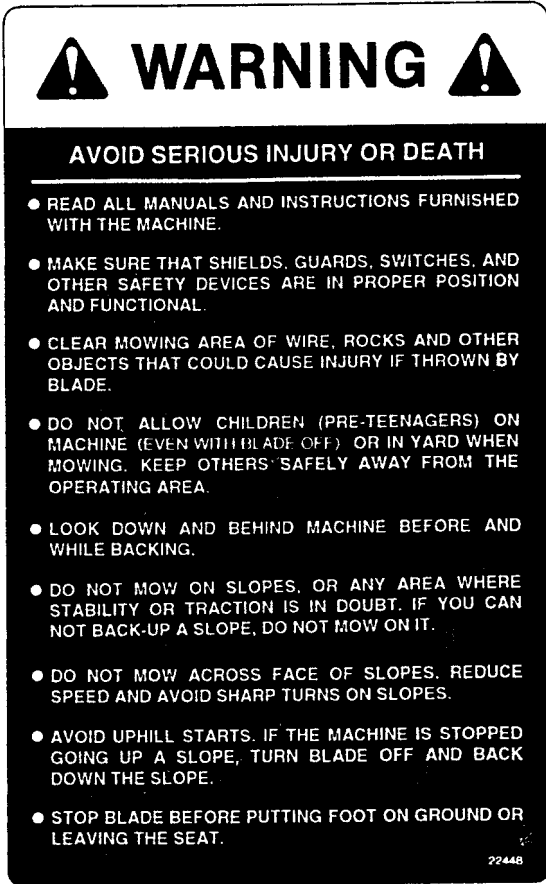


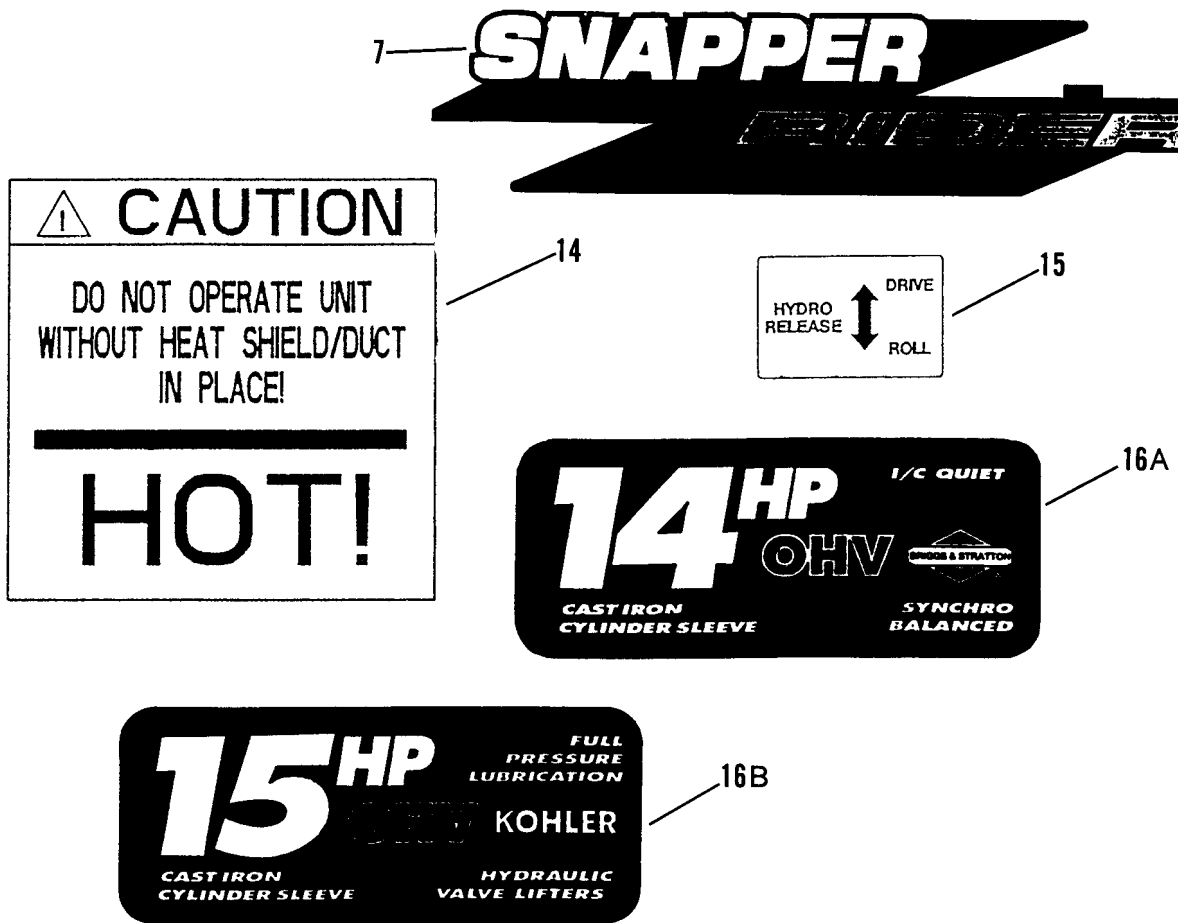
****PURCHASE ENGINE AND
ENGINE PARTS OTHER
THAN THOSE LISTED FROM
ENGINE SERVICE OUTLETS.**

ENGINE COMPONENTS

ITEM	PART NO.	DESCRIPTION
1	**	ENGINE, 14HP Briggs OHV IC (Model 287707-0122-01)
–	**	ENGINE, 15HP Kohler (Model CV15ST PS 41543)
–	**	ENGINE, 16HP Briggs V-Twin (Model 303777-1154-E1)
2	1-2652	WIRE CLIP, 7/16"
3	9-1848	FITTING, Oil Drain 90° (Briggs 14HP)
–	9-1849	FITTING, Oil Drain 90° (Kohler 15HP)
4	2-7972	ASSEMBLY, Oil Valve
5	3-6506	CONTROL, Throttle (Kohler 15HP) 52.5"
–	2-4642	CONTROL, Throttle (Briggs 14HP) 44.6"
–	4-2992	CONTROL, Throttle (Briggs 16HP) 31.0"
6	2-3655	LEVER, Throttle Control
7	9-1240	SCREW, #10-32 x 5/8" Hex Washer Head, Grade 5
8	9-0376	NUT, #10-32 Nyloc
9	9-1017	SCREW, #8-32 x 3/8" Machine
10	9-1018	NUT, #8-32 Hex
11	3-6389	PLATE, Engine
12	9-0324	SCREW, 3/8-16 x 1" Hex Washer Head (Briggs) (4)
–	7-7692	SCREW, M8-1.25 x 25mm Hex Washer Self-Tapping (Kohler) (4)
13	9-1315	WASHER, 5/16 Split Lock (Kohler) (4)
14	3-5362	GUIDE, Belt
15	2-9106	PULLEY, Engine (Small Pulley - Down)
16	1-0210	KEY, 1/4" Square x 2"
17	1-6147	SPACER, Clutch
18	9-1301	WASHER, 7/16" Split Lock
19	9-1763	SCREW, 7/16-20 x 1-1/2" Hex Head Cap, Grade 5
20	1-2222	CLAMP, Fuel Hose (2)
21	9-1856	HOSE, Fuel 1/4" I.D. x 20"
22	3-5894	PIPE, Exhaust (Briggs 14HP)
–	3-6417	PIPE, Exhaust (Kohler 15HP)
–	3-6483	PIPE, Exhaust (Briggs 16HP)
23	3-6405	MUFFLER, Low Tone
24	9-0206	SCREW, 5/16-18 x 3/4" Hex Head Cap, Grade 5 (Briggs 14HP) (2)
25	1-5352	GASKET, Exhaust (Briggs 14HP)
26	4-1537	DEFLECTOR, Muffler (42" & 48" Decks only)
27	9-1581	SCREW, #8-18 x 1/2" (42" & 48" Decks only) (4)
28	2-4185	CONTROL CABLE, Choke (Briggs 16HP & Kohler 15HP)
29	9-0390	WASHER, 3/8" Internal Tooth Lock (Briggs 16HP & Kohler)
30	9-0155	NUT, 3/8-24 Hex (Briggs 16HP & Kohler 15HP)
31	4-2993	HEAT SHIELD, Sides (Kohler 15HP)
32	4-4658	HEAT SHIELD, Top (Kohler 15HP)
33	9-0816	SCREW, #10-32 x 3/8" Sheet Metal (Qty. 4 Kohler, 8 Briggs)
34	4-2825	DUCT, Right Hand (Briggs 14HP)
35	7-1687	DUCT, Front (Briggs 14HP)
36	7-1689	COVER, Spark Plug Access (Briggs 14HP)
*	5-7709	SHIELD, Muffler Debris (Not Shown)

DECALS

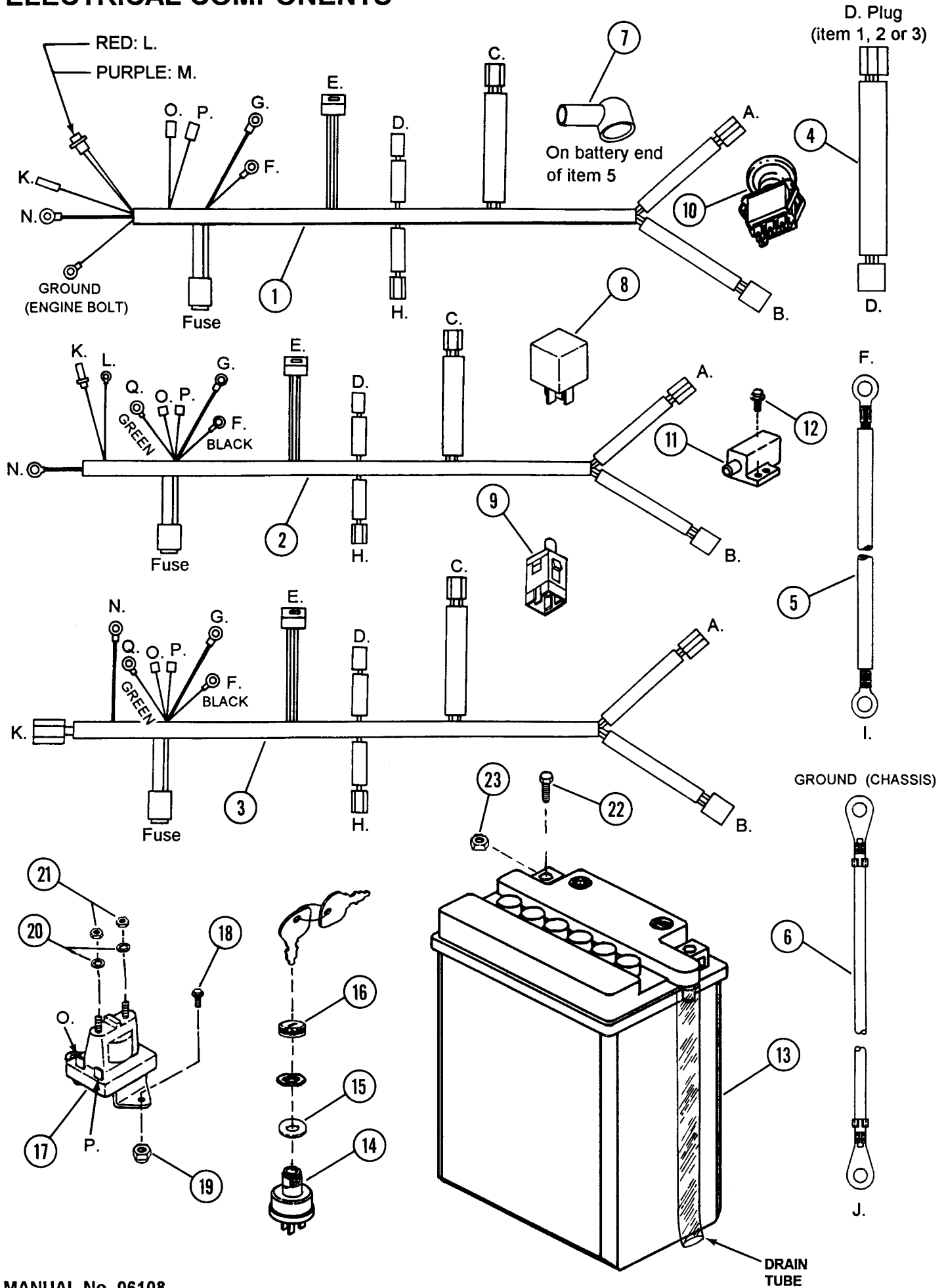




ITEM	PART NO.	DESCRIPTION
1	1-4852	DECAL, Caution
2	1-6973	DECAL, Caution
3	2-2448	DECAL, Safety Instructions
4	2-2991	DECAL, 33" Hi-Vac
5	2-3980	DECAL, Back-Up Recoil
6	2-4910	DECAL, 42"
7	3-5848	DECAL, SNAPPER Z Rider (Steel Bodied Models)
8	2-6154	DECAL, 38"
9	2-6831	DECAL, CPSC
10	3-6529	DECAL, Deck Height
11	3-6527	DECAL, Throttle Control
12	3-6528	DECAL, Throttle Control
13	3-6531	DECAL, Ignition Switch
14	7-1696	DECAL, Heat Shield
15	7-1683	DECAL, Hydro Release
16A	9-1881	DECAL, Briggs 14HP Engine
16B	9-1882	DECAL, Kohler 15HP Engine
*	9-1883	DECAL, Briggs 16HP Engine
*	4-4656	DECAL, Front Fender (Left Side) (SNAPPER)
*	4-4654	DECAL, Rear Fiberglass Fender (Left Side) (YARD CRUISER)
*	4-5359	DECAL, Rear Steel Fender (Left Side) (YARD CRUISER)
*	4-4657	DECAL, Front Fender (Right Side) (SNAPPER)
*	4-4655	DECAL, Rear Fiberglass Fender (Right Side) (YARD CRUISER)
*	4-5360	DECAL, Rear Steel Fender (Right Side) (YARD CRUISER)

NOTE: THESE ITEMS NOT SHOWN. THE DESCRIPTION IS THE VISUAL IDENTIFICATION.

ELECTRICAL COMPONENTS



ELECTRICAL COMPONENTS

ITEM	PART NO.	DESCRIPTION
1	3-5388	WIRING HARNESS (Briggs 14HP)
2	4-2966	WIRING HARNESS (Briggs 16HP)
3	3-6416	WIRING HARNESS (Kohler 15HP)
4	3-5926	WIRING HARNESS, Warner Clutch
5	1-6835	WIRE, Positive, 13"
6	4-2956	WIRE, Negative, 14"
7	7-1694	COVER, Battery Cable
8	2-8570	RELAY, Operator Presence Control
9	2-2886	SWITCH, Seat
10	2-8542	SWITCH, PTO Electric Clutch
11	2-3355	SWITCH, Park Break
12	9-0913	SCREW, #10-24 x 1/2" Hex Washer Head, Self-Tapping (2)
13	2-9130	BATTERY, 12 Volt, 14 Amp, 190 Cold Cranking Amp (Includes Drain Tube)
14	2-6343	SWITCH, Ignition (After-fire Solenoid)
15	2-9714	SPACER
16	2-3506	BEZEL
17	1-8604	SOLENOID, 12 Volt
18	9-0071	SCREW, 1/4-20 x 1/2" Hex Head Cap, Grade 5 (2)
19	9-1584	NUT, 1/4-20 Hex Flange Lock, Grade 5 (2)
20	9-1314	WASHER, 1/4 Internal Tooth Lock (2)
21	9-0977	NUT, 1/4-20 Hex Jam (2)
22	9-0411	SCREW, #10-24 x 1/2" Hex Head Cap (2)
23	1-2688	NUT, #10-24 Twin "Whiz" Lock (2)

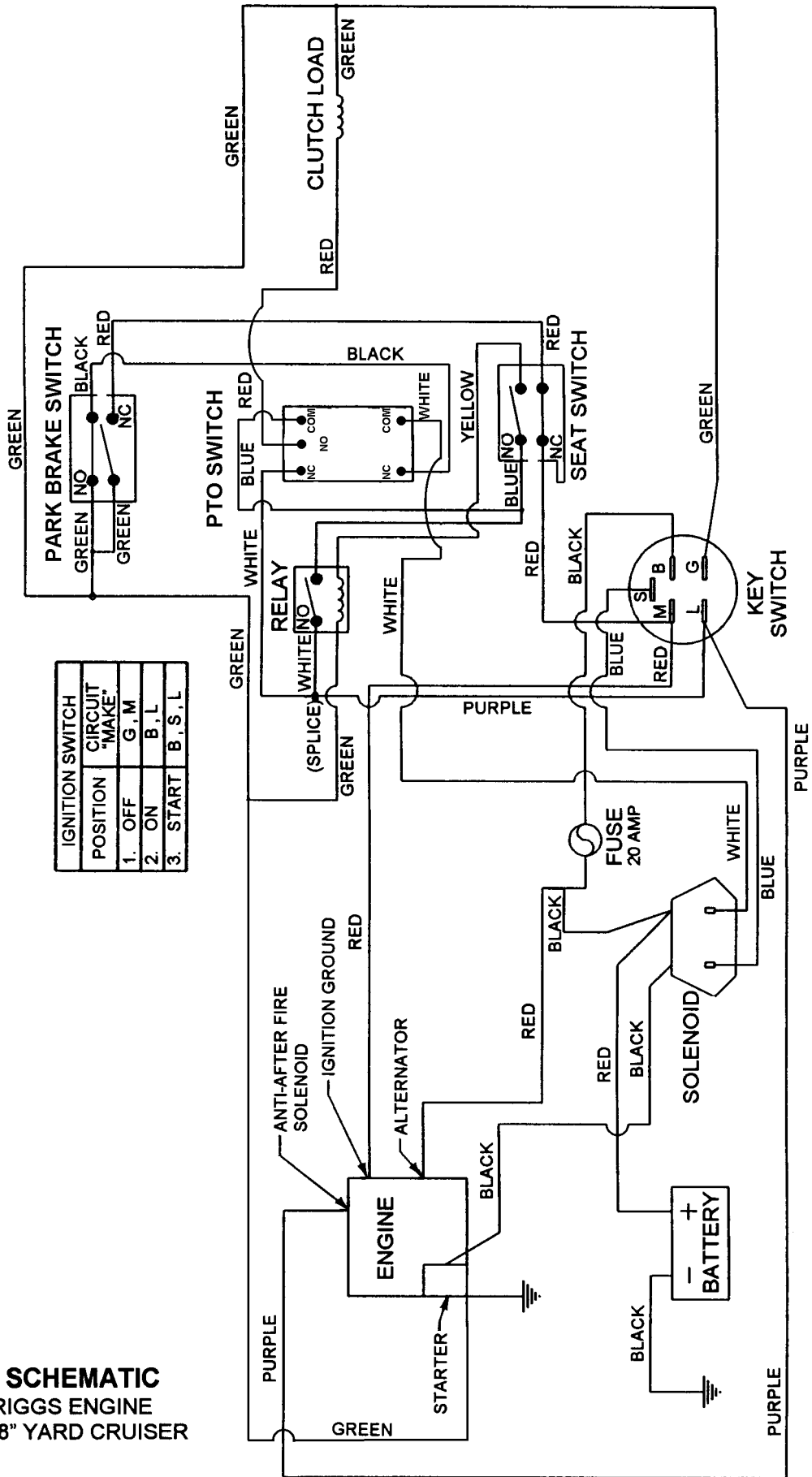
PLUG CONNECTS TO:

- A. Brake Switch
- B. PTO Switch
- C. Seat Switch
- D. Electric Clutch
- E. Relay
- F. Solenoid Battery Terminal
- G. Solenoid Starter Terminal
- H. Ignition Switch
- I. Battery, Positive Terminal
- J. Battery, Negative Terminal
- K. Alternator
- L. Ignition Ground
- M. Anti-After Fire
- N. Start Engine
- O. Solenoid "Spade" Terminal
- P. Solenoid "Spade" Terminal
- Q. Ground at Solenoid

WIRING SCHEMATICS

SWITCHES SHOWN WITH:
Park Brake ENGAGED
Seat VACANT

WIRING SCHEMATIC 14 HP BRIGGS ENGINE FOR 33" & 38" YARD CRUISER

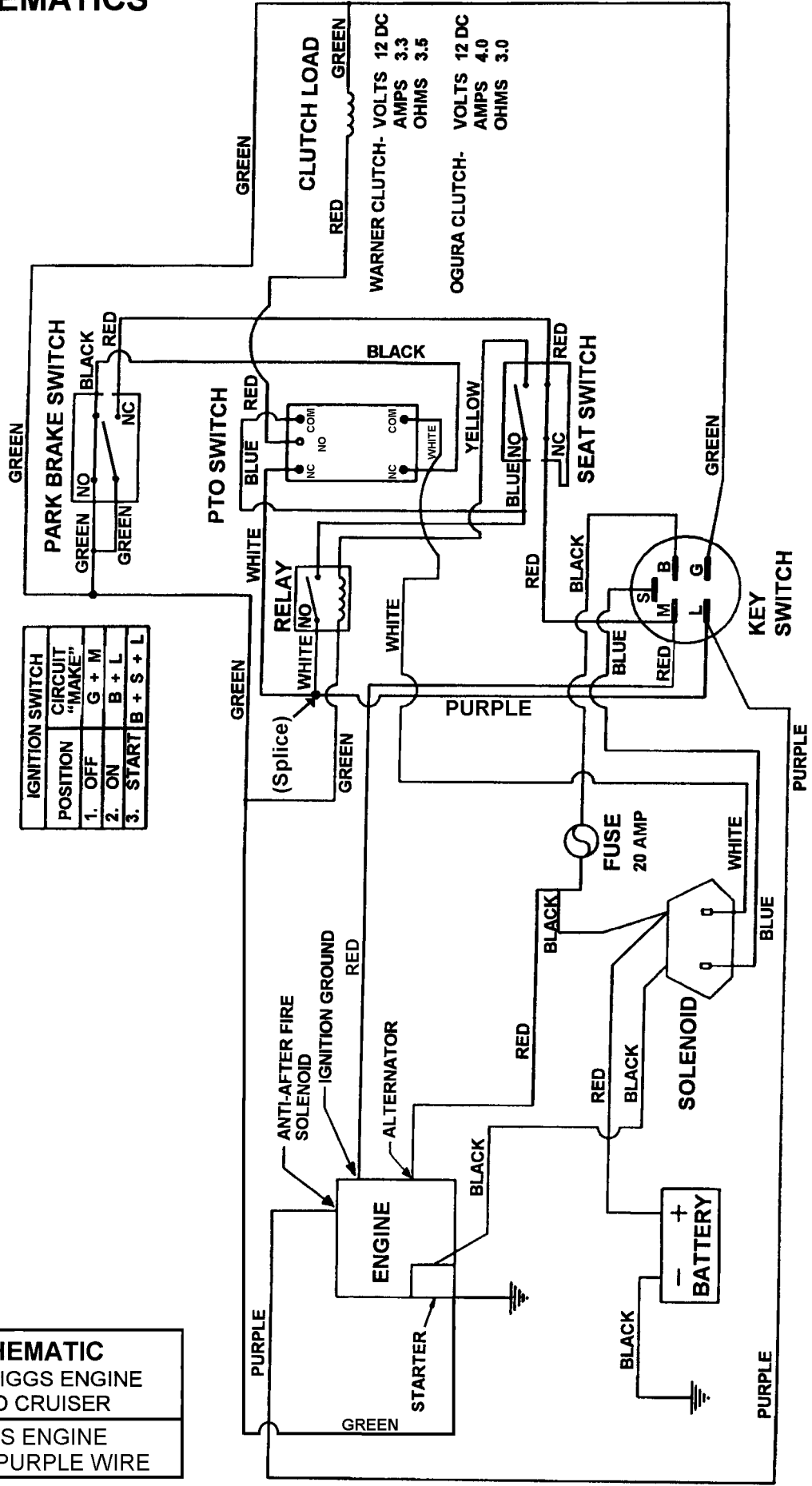


WIRING SCHEMATICS

SWITCHES SHOWN WITH:
Park Brake Engaged
Seat Vacant

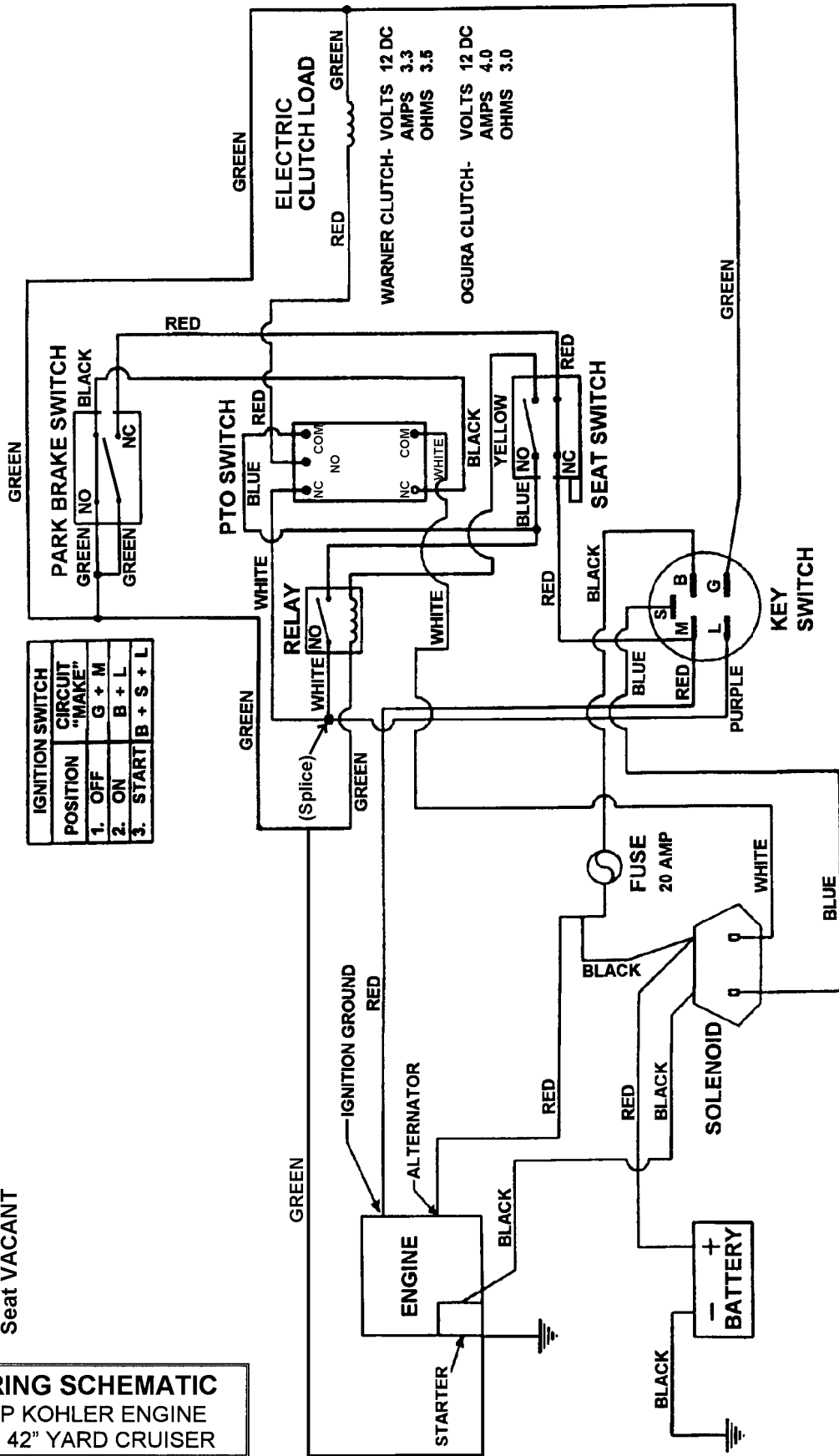
WIRING SCHEMATIC
FOR 14 HP BRIGGS ENGINE
33" & 38" YARD CRUISER
FOR 18 HP B&S ENGINE
IGNORE THE PURPLE WIRE

IGNITION SWITCH POSITION	CIRCUIT "MAKE"
1. OFF	G + M
2. ON	B + L
3. START	B + S + L



SWITCHES SHOWN WITH:
Park Brake Engaged
Seat Vacant

WIRING SCHEMATIC
15 HP KOHLER ENGINE
FOR 42" YARD CRUISER



Parts Manual for

SNAPPER®

YARD CRUISER™ HYDRO DRIVE

MODELS:

HZ14330BVE

HZS14330BVE

HZ14380BVE

HZS14380BVE

NHZ14380BVE

HZ15420KVE

HZS15420KVE

SERIES 0

SNAPPER® McDonough, GA., 30253 U.S.A.

COPYRIGHT ©1999
SNAPPER INC.
ALL RIGHTS RESERVED

MANUAL No. 06108

(Rev. 5, 9/20/99)

Printed in U.S.A.