

#6-1249 SINGLE BAG GRASS CATCHER KIT for SNAPPER 38" LAWN TRACTORS

This Single Bag Grass Catcher kit fits SNAPPER 38" Lawn Tractors. A Rear Mount Adapter kit #6-1240 must first be installed before grass catcher can be attached to tractor.

Some pre-assembly steps are required during the initial installation to prepare the Tractor to receive this kit. The following procedure is suggested for installing the kit. Refer to pages 2 and 3 for identification of parts described.

1. AIR LIFT INSTALLATION: The mower being prepared should have air lifts on the blade tips. The air lifts should be installed only on the tips of the blade located on the right or discharge side of the deck. Assemble the air lifts to the topside of the blade tips per instructions furnished in the air lift kit. See Figure 1.

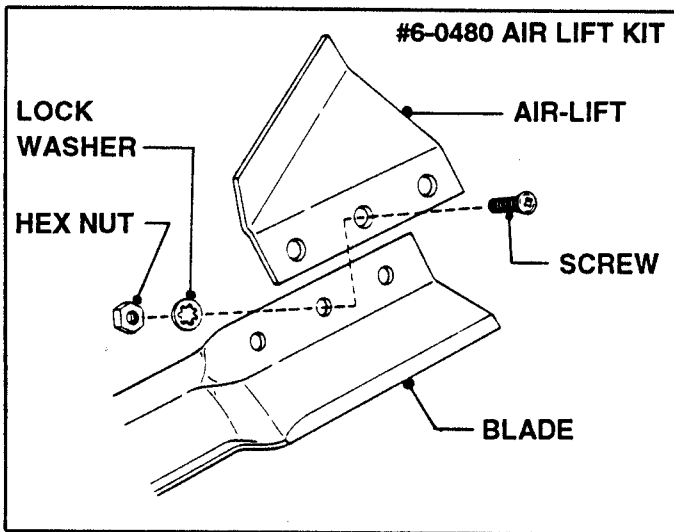


FIGURE 1

2. CHUTE TO DECK: Remove wing nut and flat washer that holds down deflector. Remove deflector and hinge (NOTE: Save deflector and hinge for later use when grass bag is removed) but save mounting hardware. Use this hardware to mount chute to side of deck. Tighten hardware securely. See Figure 2.

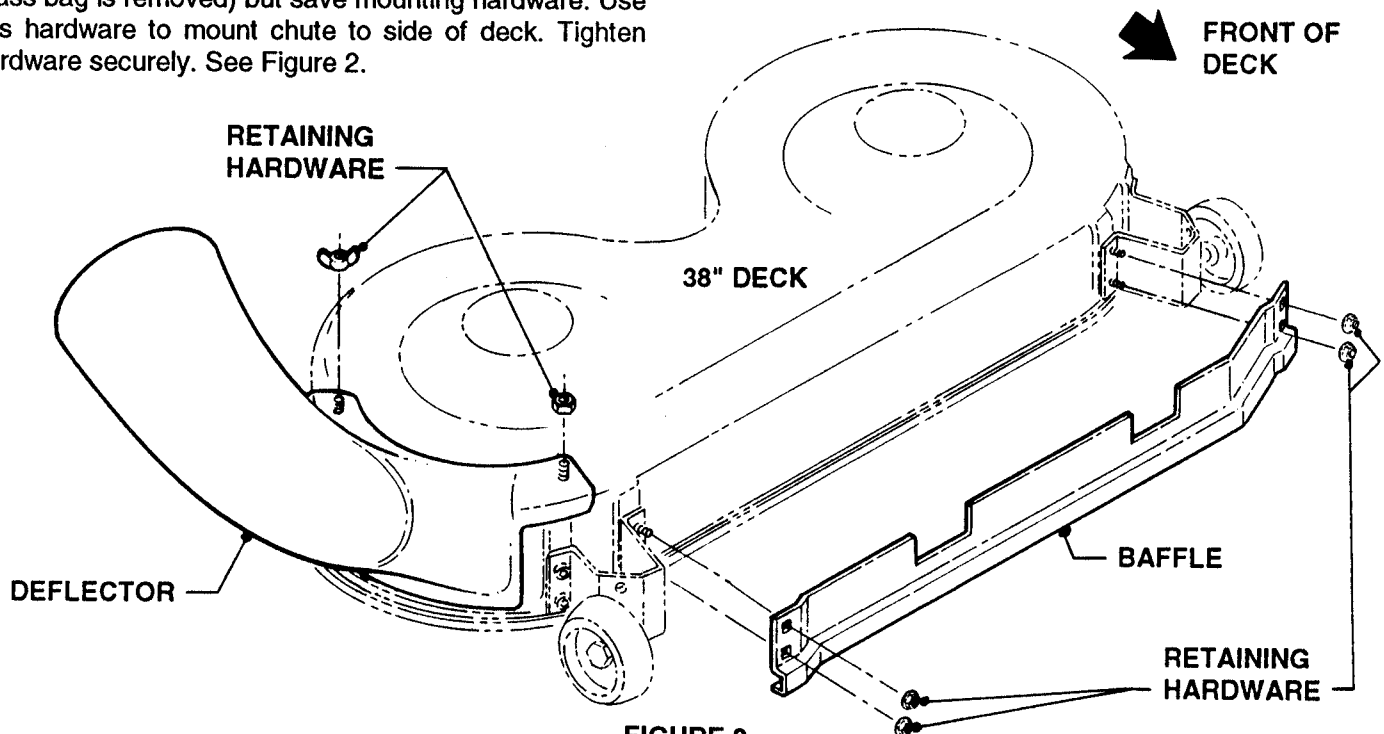


FIGURE 2

3. BAFFLE TO DECK: Remove retaining hardware from the inside of both wheel brackets as shown. Position baffle on top of wheel brackets and secure with retaining hardware. See Figure 2.

4. TUBE HANDLE & LATCH ASSEMBLY: Position the handle base inside the tube and the handle on the outside; align the holes then secure these with two 1/4 x 3/4" flat head carriage bolts (heads on inside) and with hex lock nuts on the outside of the handle. See Figure 3. Insert one 1/4 x 3/4" long carriage bolt from the inside of chute and install latch as shown in Figure 3 and secure with 1/4 hex lock nut.

5. FRAME AND SKIRT INSTALLATION: Lower frame structure into position on bumper. Secure each side of structure as follows: Insert one 5/16 x 1-11/16" clevis pin through hole (below bumper) as shown in Figure 3 and secure with 3/32 x 1-1/2" hairpin cotter.

SINGLE BAG GRASS CATCHER COMPONENTS

① KIT, Grass Catcher

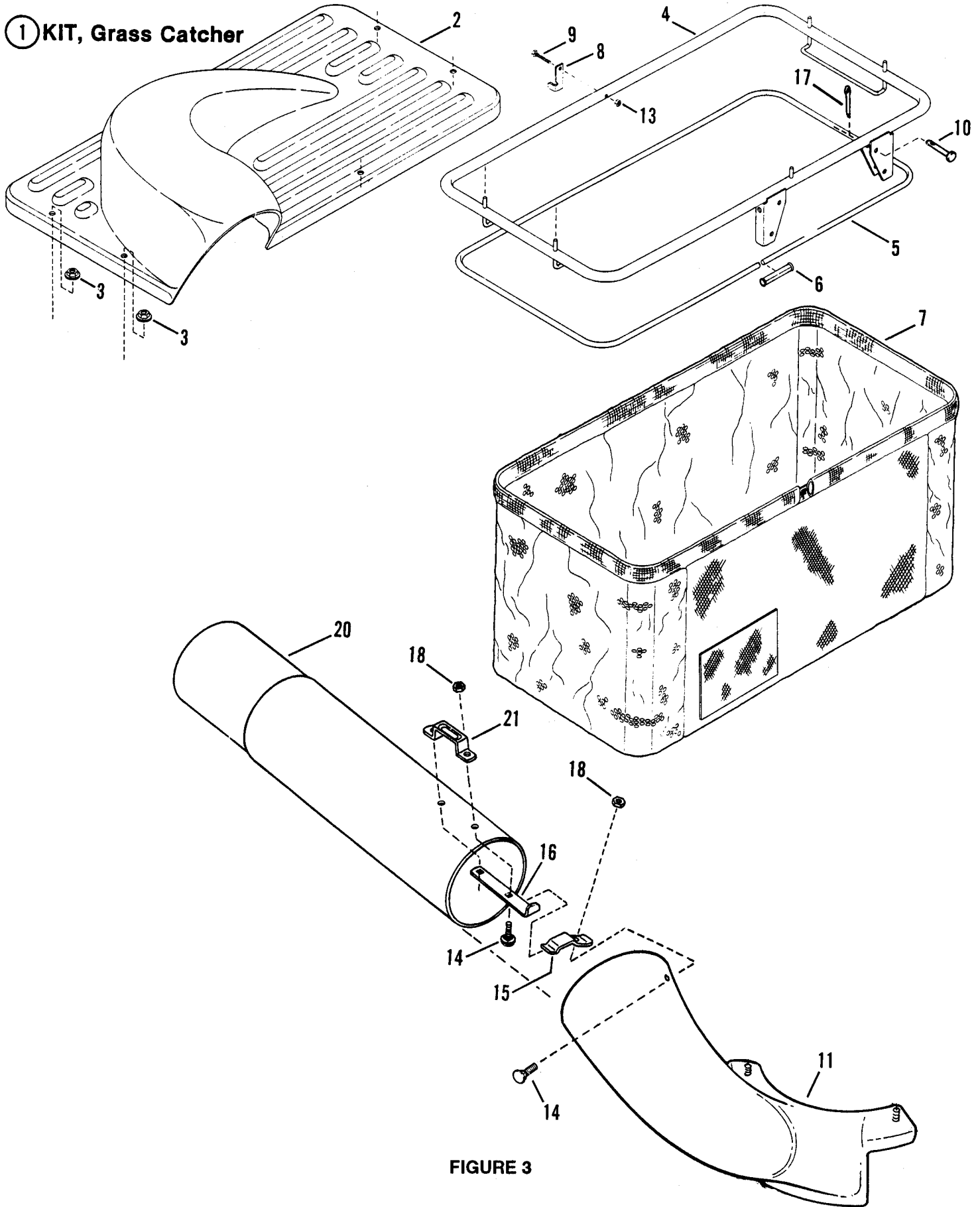


FIGURE 3

SINGLE BAG GRASS CATCHER COMPONENTS

ITEM	PART NO.	DESCRIPTION
1	6-1249	KIT, Grass Catcher (Includes Items 2 Thru 26)
2	5-1948	TOP, Container (Includes Decal No. 1-1910)
3	1-1784	WASHER, Faceted (5)
4	4-7973	FRAME, Structure
5	5-2848	ROD, Bag (Includes Item 6)
6	1-2556	CONNECTOR, Bag Rod
7	2-4819	BAG, Grass (Includes Item 3)
8	3-1725	LATCH, Top
9	9-0532	SCREW, #10-32 x 1-3/8" Hex Cap
10	1-2407	PIN, 5/16 x 1-11/16" Clevis
11	2-6814	ADAPTER, Deck
12	3-8277	BAFFLE
13	9-0376	NUT, #10-32 Hex Lock
14	9-0803	BOLT, 1/4-20 x 3/4" Short Neck Carriage (4)
15	3-1951	LATCH, Tube
16	3-1952	BASE, Handle
17	1-5067	PIN, 3/32 x 1-1/2" Cotter
18	9-0583	NUT, 1/4-20 Hex (4)
19	9-0824	SCREW, 3/8-24 x 1-1/4" Hex Cap (Blade Retaining Screw - Not Shown)
20	2-6797	TUBE, Grass
21	3-7745	HANDLE, Tube
22	6-0480	KIT, Air Lift (Includes Items 22 Thru 26)
23	9-0223	NUT, 5/16-24 Hex (6)
24	9-0391	WASHER, 5/16 Internal Tooth Lock (6)
25	3-7723	AIR-LIFT (2)
26	9-0228	SCREW, 5-16-24 x 11/16" Machine (6)

6. BAG TO ROD: With the stitched edge located on the top of the bag toward the outside, insert the bag rod into the upper loop of bag and work the loop around the rod until completely around the loop opening of the bag is positioned over the opening of the rod. Slide the connector over one end of the rod, pull the other end of the rod out just enough to clear the open end of the connector then guide the rod end into the connector. Lift the frame lock and slide the bag/rod assembly into the side rails inside of the frame.

7. CONTAINER TOP: Position the catcher or container top over the studs of the frame then secure using the five faceted washers as shown in Figure 3. Assemble the frame latch on the outside of the frame as shown and secure with the 1-3/8" long capscrew on the outside and with locknut on the inside to complete the installation.

GRASS CATCHER OPERATION

● Grass clippings and litter are picked up by the vacuum created by the blade equipped with the air lifts and blown into the bags. The vacuum and air blast must be sufficient to handle the material you want to collect. Heavier, more lush material will require more suction and air blast. Run the engine faster and slow down the forward speed of the mower.

● For maximum lift, the cutting deck should be set about 2-1/2" to 3" high; the heavier the litter to be picked up, the higher the deck should be set. Make more than one pass over the area to be cleaned, if needed.

● Very heavy, lush grass, matted leaves or pine straw will require all the vacuum and blast you can give it. Run the engine at top speed and the mower at its slowest forward speed. Take less than a full swath under most severe conditions.

● Normally, it is best to mow or clean by operating in a clockwise direction. However, if litter is matted and heavy, make the first pass in a counterclockwise direction, as material is picked up on the left side of the cutting unit and directed towards the right side of the deck where the blade with the air lifts blasts the litter into the chute and into the bags.

● The vacuum action of the blade will pick up dust unless the grass is very thick or the ground is wet. Be prepared for this dust storm. You can minimize it if you learn to operate the cutting unit at the lowest speed that will put the clippings and litter into the bags. Because of the dust, your engine air cleaner should be serviced more frequently than usual.

● Never fertilize with dry-type fertilizer just before mowing. The vacuum action will pick up most of the fertilizer and put it into the bags where it will do very little good for your lawn.

● Do not be afraid to experiment with different blade speeds, cutting unit heights, and forward speeds until you have learned how to make your *SNAPPER* Tractor or *SNAPPER* Riding Mower operate best under **YOUR** condition.

SNAPPER®McDonough, GA., 30253 U.S.A.