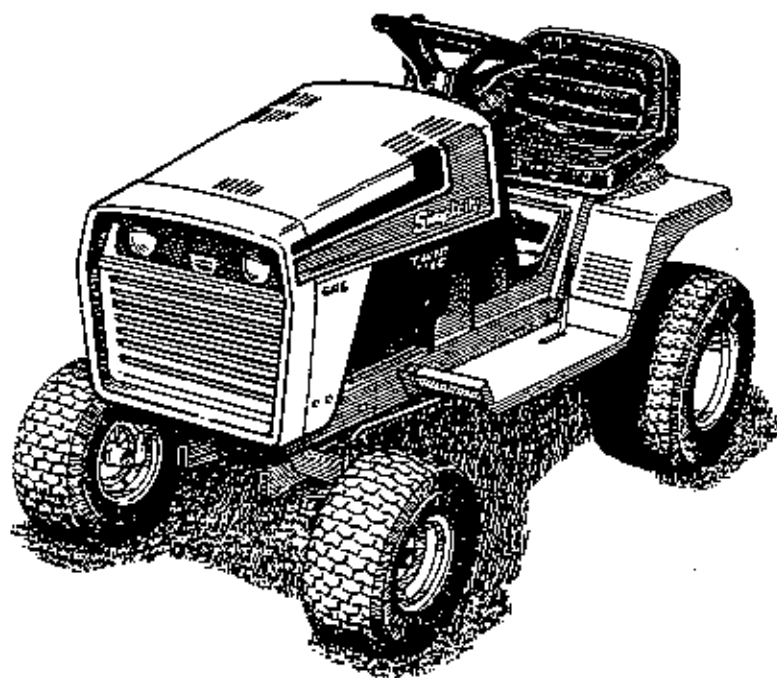


Parts Manual Models 6108, 6111, 6116, & 6118



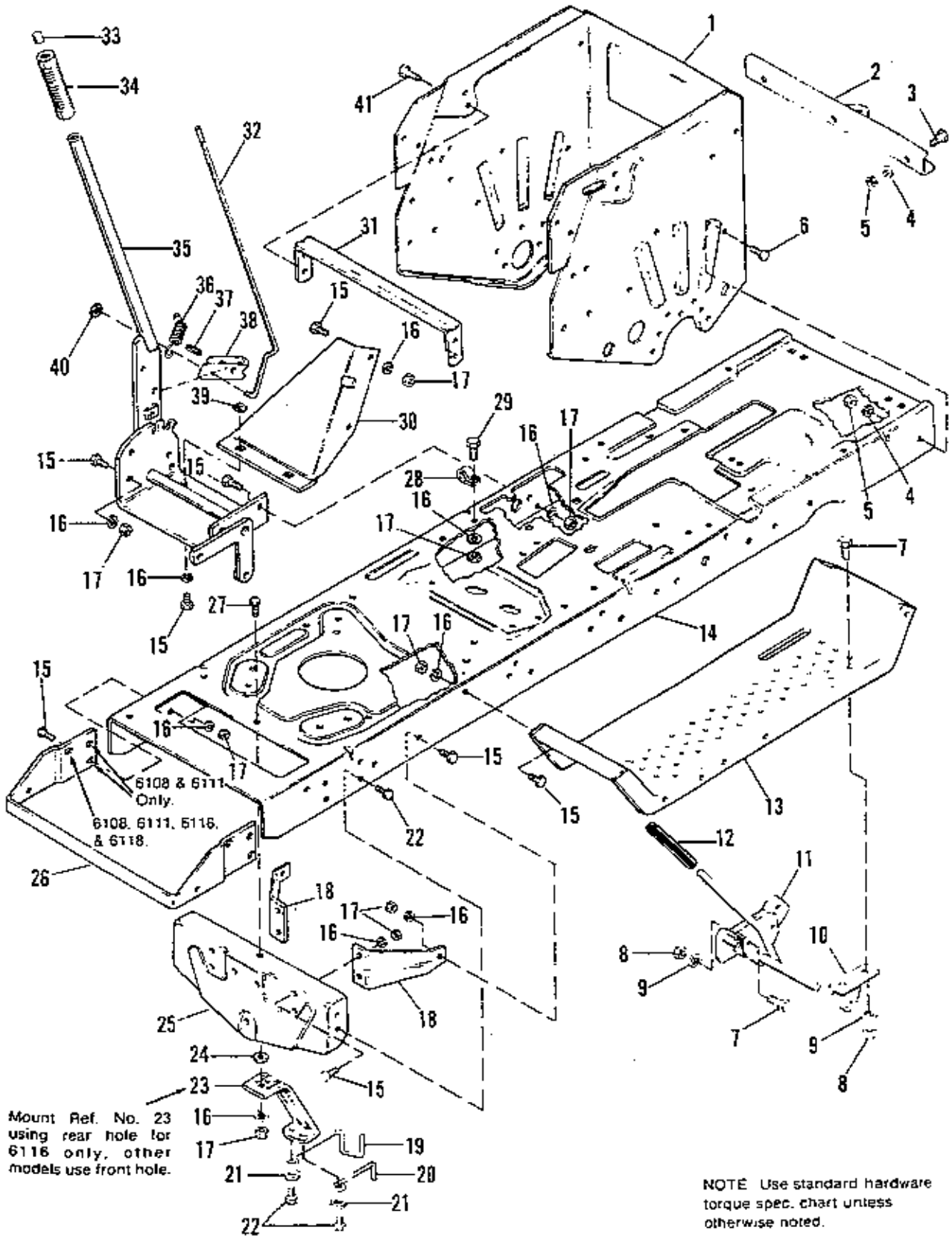
8 H.P. TRACTOR
MFG. NO. 1690450
11 H.P. TRACTOR
MFG. NO. 1690448
15 H.P. TRACTOR
MFG. NO. 1690422
18 H.P. TRACTOR
MFG. NO. 1690598
36 INCH MOWER
MFG. NO. 1690274
42 INCH MOWER
MFG. NO. 1690412
48 INCH MOWER
MFG. NO. 1690413

TP - 768-02
803

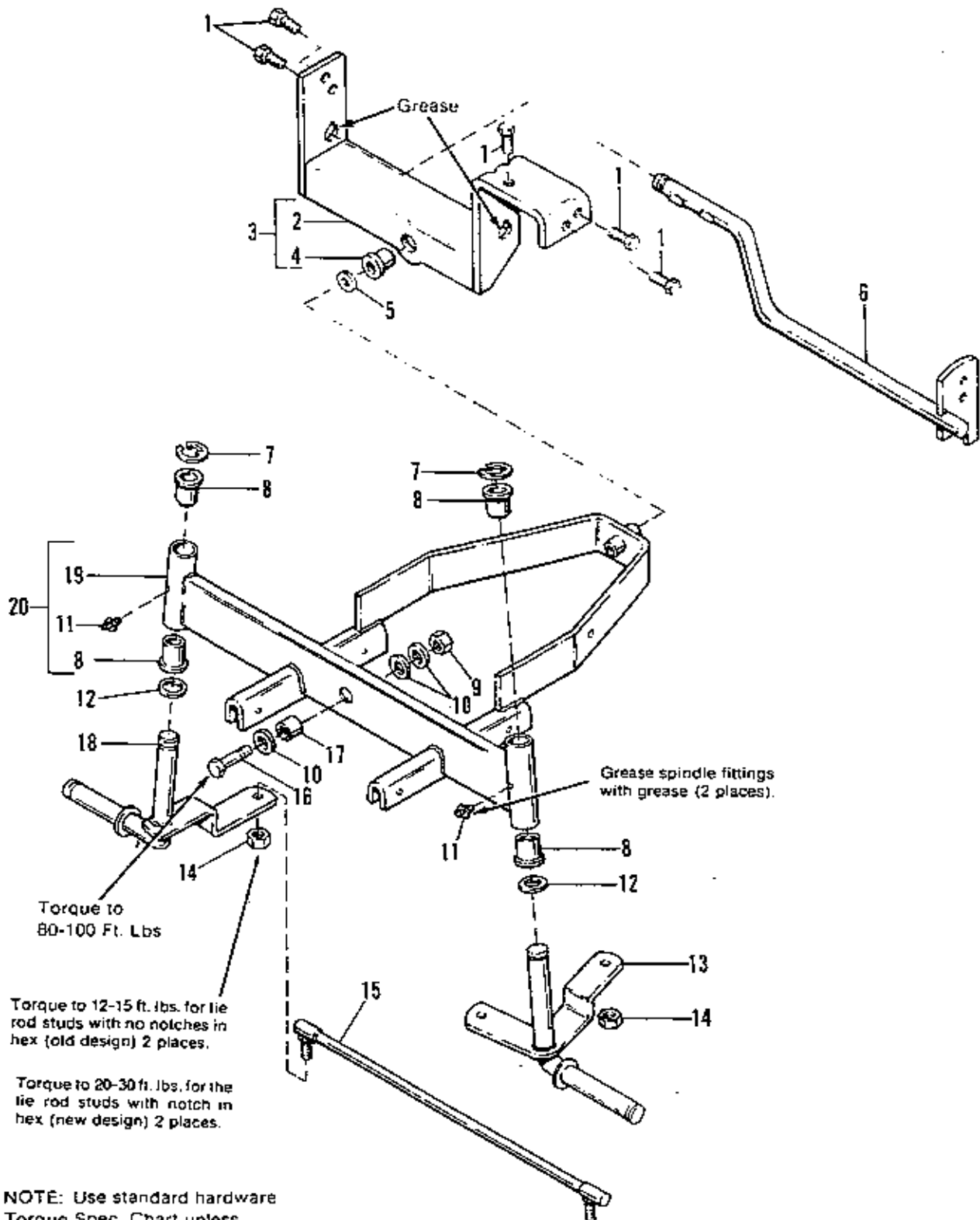
Simplicity

Table of Contents

FRAME GROUP	2
FRONT AXLE GROUP	4
STEERING & FRONT WHEEL GROUP	6
ENGINE GROUP (6108 & 6111 ONLY)	8
ENGINE GROUP (6116 & 6118 ONLY)	10
DRIVE GROUP	12
TRANSMISSION GROUP	14
BRAKE & CLUTCH GROUP	18
ELECTRICAL GROUP	20
HOOD, GRILLE & DASH GROUP	22
SEAT & DECK GROUP	24
ARBOR GROUP (42" & 48" Mowers)	26
HOUSING GROUP (42" & 48" Mowers)	28
CLUTCH & SUPPORT GROUP (42" & 48" Mowers)	30
HEIGHT ADJUSTING & ROLLER GROUP (42" & 48" Mowers)	32
MOWER DECK & ARBOR GROUP (36" Mower)	34
CLUTCH & ROLLER SUPPORT GROUP (36" Mower)	36
ROLLERS & MISC. GROUP (36" Mower)	38
DECAL GROUP	40
STANDARD TORQUE SPECIFICATIONS	Inside Back Cover



Ref. No.	Part No.	Qty.	Description
1	1666650	1	SUPPORT, Axle Wrapper
2	1655591	1	BAR, Draw
3	921210	3	CAPSCREW, Hex, 3/8-16 x 1
4	916965	9	LOCKWASHER, 3/8
5	916950	9	NUT, Hex, Full, 3/8-16
6	921965	6	CAPSCREW, Hex, 3/8-16 x 3/4
7	921959	4	CAPSCREW, Hex, 1/4-20 x 5/8
8	916622	4	NUT, Hex, Full, 1/4-20
9	916964	4	LOCKWASHER, 1/4
10	1654783	1	SUPPORT, Clutch
11	1667885	1	LEVER ASSY., Clutch
12	176934	1	GRIP, Handle
13	1665592	2	FOOTREST
14	1666649	1	FRAME
15	921332	27	CAPSCREW, Hex, 5/16-18 x 3/4 (Qty. 23 used on 6116 & 6118)
16	917356	29	LOCKWASHER, 5/16 (Qty. 25 used on 6116 & 6118)
17	917372	27	NUT, Hex, Full 5/16-18 (Qty. 23 used on 6116 & 6118)
18	1655076	2	BRACE, Axle Support
19	1665811	1	STOP, Belt
20	1665812	1	STOP, Belt
21	917377	2	WASHER, Plain, 1/4
22	1664847	6	SCREW, Taptite, 5/16-18 x 3/4
23	1665803	1	SUPPORT
24	919381	1	WASHER, Plain, 11/32
25	1663855	1	SUPPORT ASSY., Axle (Used on 6116 & 6118)
	1664034	1	SUPPORT ASSY., Axle (Used on 6108 & 6111)
26	1666954	1	SUPPORT, Hood
27	921333	1	CAPSCREW, Hex, 5/16-18 x 1
28	122186	1	CLAMP
29	921977	1	CAPSCREW, Hex, 5/16-18 x 1-1/4
30	1665473	1	BRACE, Lift
31	1654707	1	BRACE, Seat
32	1667290	1	ROD, Latch
33	1650157	1	BUTTON
34	156209	1	GRIP
35	1667295	1	LEVER ASSY., Lift
36	1667286	1	SPRING
37	927609	1	PIN, Spring, 3/8 x 1
38	1657648	1	LATCH, Lever
39	916159	2	NUT, Speed, 5/16-18
40	934953	1	PUSHNUT
41	924856	4	SCREW, Taptite, 5/16-18 x 1/2

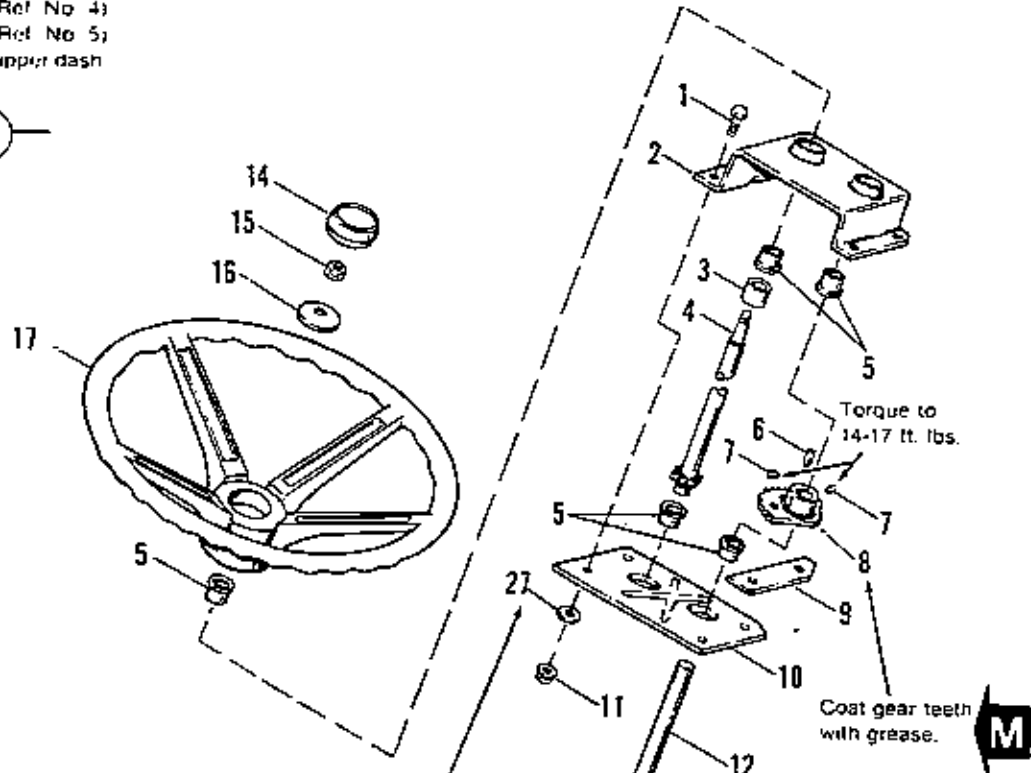
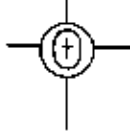


NOTE: Use standard hardware
Torque Spec. Chart unless
otherwise noted

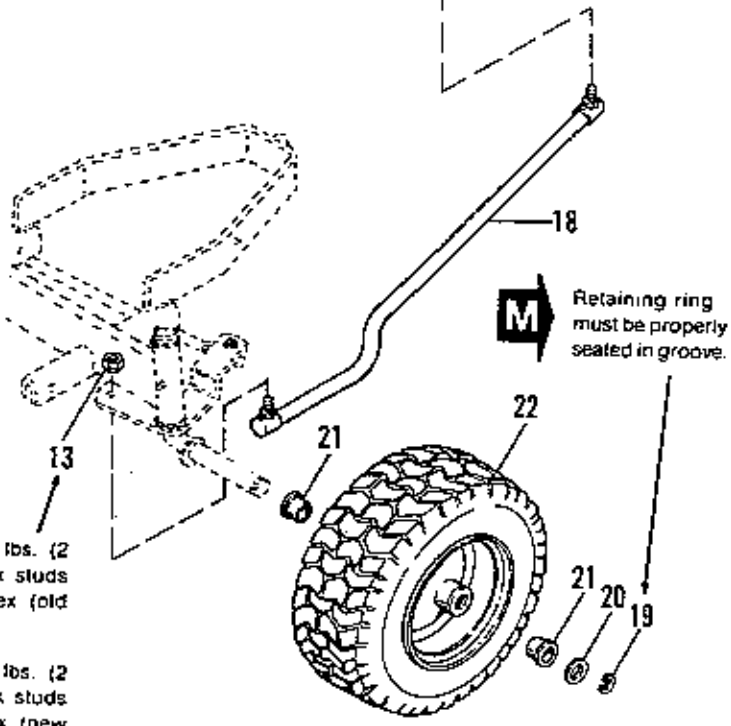
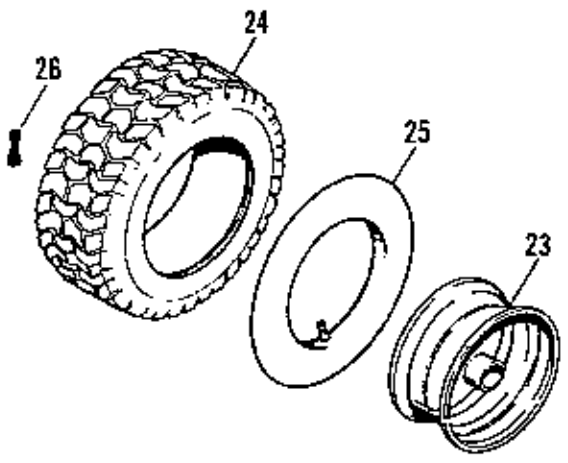
Ref. No.	Part No.	Qty.	Description
1	1664847	5	SCREW, Taptite, 5/16-18 x 3/4
2		1	SUPPORT ASSY., Axle Rear (See Ref. No. 3)
3	1665601	1	SUPPORT ASSY., Axle, Rear w/Bushings
4	1663114	1	BUSHING
5	919387	1	WASHER, 5/8
6	1665863	1	LEVER ASSY., Brake
7	927794	2	E-RING, Ext. 3/4 Dia.
8	176440	4	BUSHING
9	930648	1	LOCKNUT, Hex, 1/2-13
10	926192	3	WASHER, Plain, 9/16
11	912808	2	FITTING, Grease
12	108181	2	WASHER
13	1665080	1	SPINDLE ASSY., L.H.
14	935131	2	LOCKNUT, Hex, Gr. B, 3/8-24
15	1667247	1	ROD ASSY., Tie
16	923154	1	CAPSCREW, Hex, 1/2-13 x 1-1/2
17	1655034	1	SPACER
18	1665079	1	SPINDLE ASSY., R.H.
19		1	AXLE SUB ASSY., (See Ref. No. 20)
20	1665070	1	AXLE ASSY., Front (6116 & 6118 Only)
	1665217	1	AXLE ASSY., Front (6108 & 6111 Only)

*Reference No. 20 includes Ref. Nos. 8, 11 & 19.

Center shaft (Ref No 4)
and bushing (Ref No 5)
in opening of upper dash



Ref. No. 27 between Ref. No.
10 & frame on front 2 bolts
only.

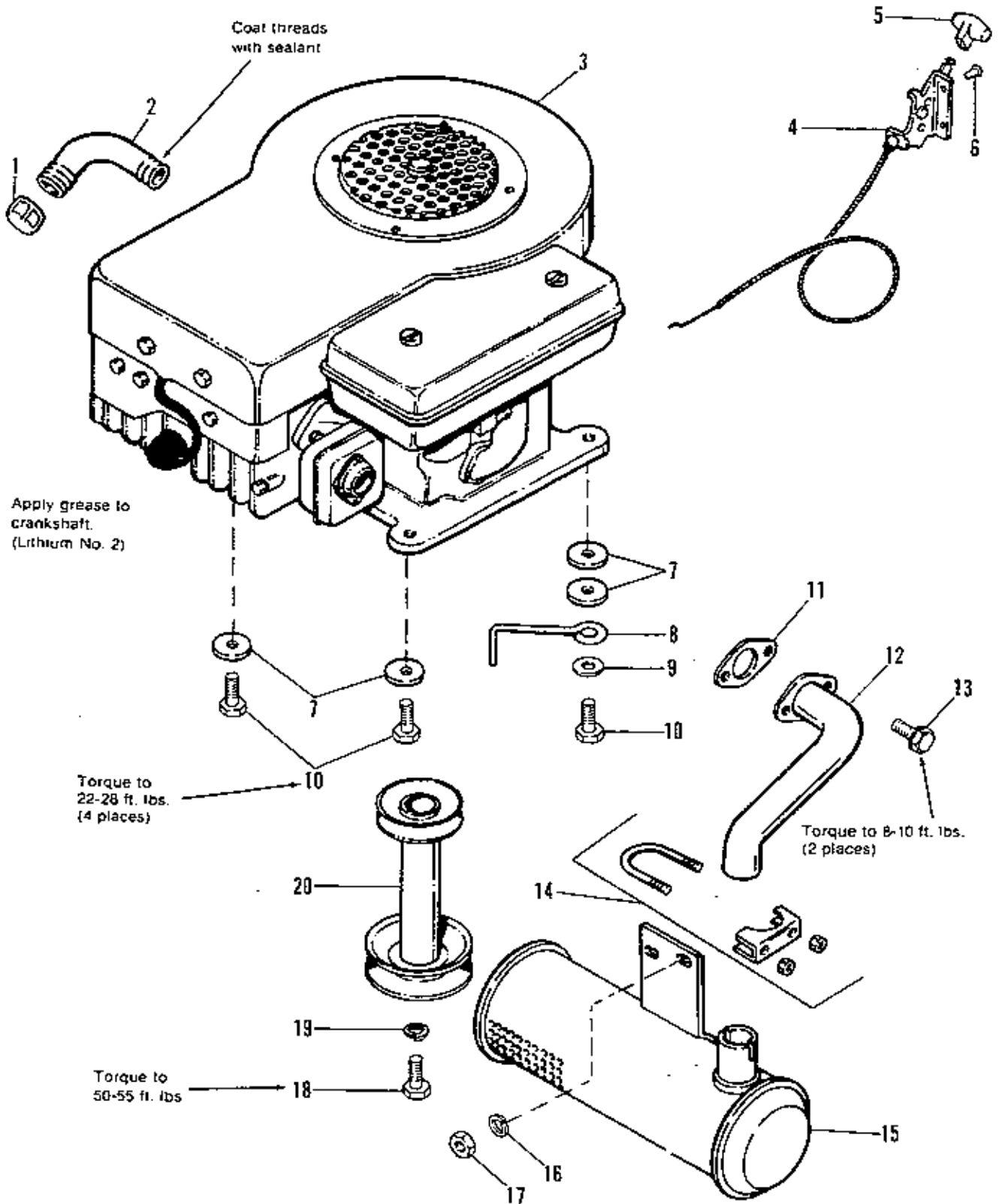


NOTE: Use standard hardware
torque spec. chart unless
otherwise noted.

Torque to 30-40 ft. lbs. (2
places) for drag link studs
with a notch in hex (new
design).

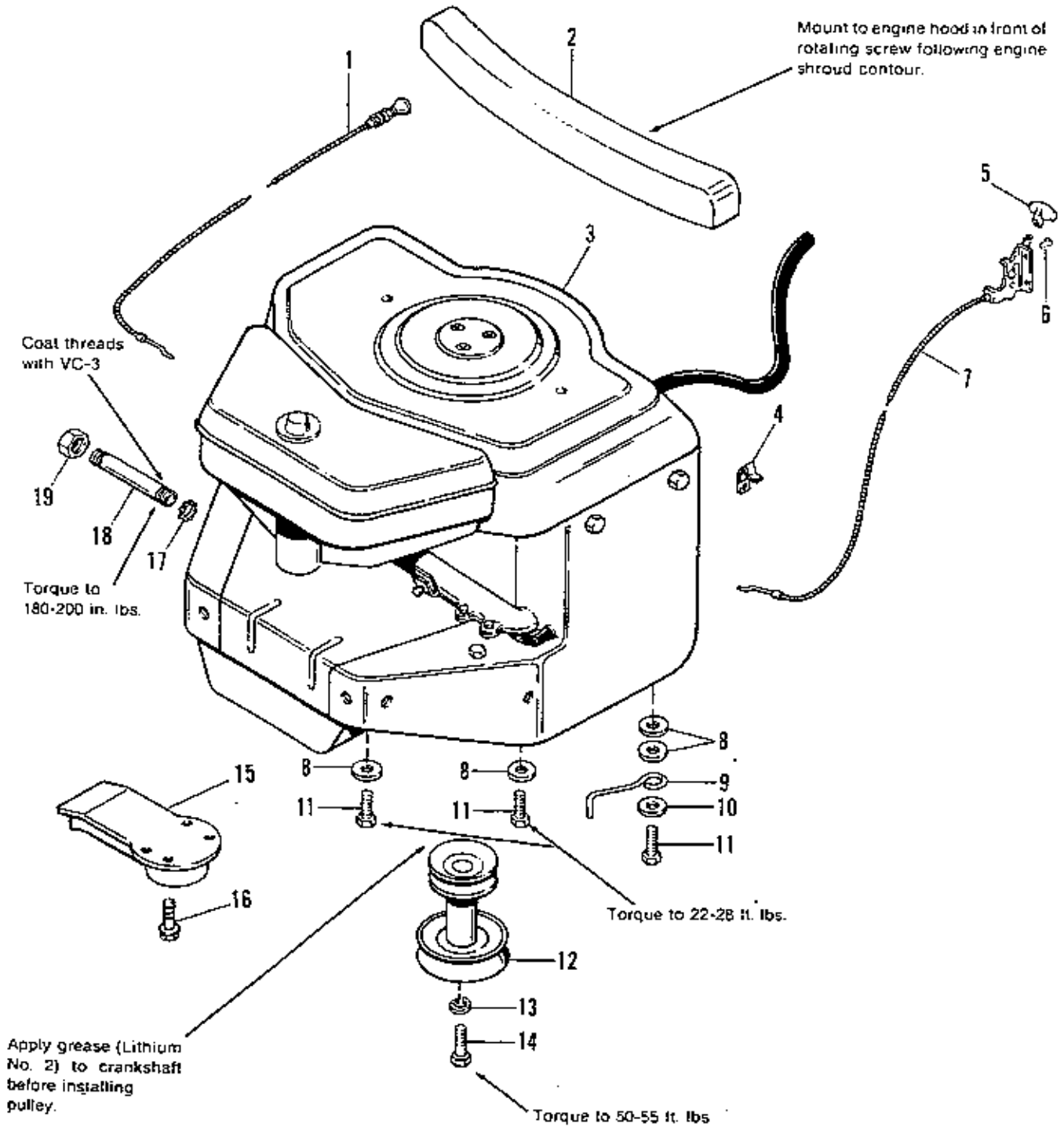
Rel. No.	Part No.	Qty.	Description
1	921333	4	CAPSCREW, 5/16-18 x 1
2	1652745	1	TOP PLATE, Steering
3	1654907	1	SPACER
4	1657003	1	SHAFT ASSY., Steering
5	176440	5	BUSHING
6	157332	1	KEY
7	930540	2	SETSCREW, 5/16-18 x 5/8
*8	1685168	1	GEAR, Steering
9	1654649	1	SPACER, Stop
10	1652743	1	BASE PLATE, Steering
11	927557	4	LOCKNUT, Flange, Whiz, 5/16-18
12	1657248	1	ROD, Steering
13	930628	2	LOCKNUT, Center, 3/8-24
14	1657017	1	CAP, Steering Wheel
15	923362	1	LOCKNUT, 5/16-18
16	177649	1	WASHER, Compression
17	1657016	1	WHEEL, Steering
18	1665075	1	LINK, Drag (6116 Only)
	1665074	1	LINK, Drag (6108 & 6111 Only)
19	927794	2	E-RING, Ext., 3/4
20	154071	2	WASHER
21	156316	4	BEARING
22	1653617	2	WHEEL & TIRE ASSY., 15 x 6.00-6
23	1653615	2	WHEEL
24	1653618	2	TIRE, 15 x 6.00-6 (Carlisle)
	1656885	2	TIRE, 15 x 6.00-6 (Goodyear)
25	1664090	2	TUBE, 4.10/3.50-6
26	171270	2	STEM, Valve
27	919381	2	WASHER, 11/32

*Reference No. 8 Includes Part Nos. 1667385 gear, 1667383 spacer and 1667622 key.



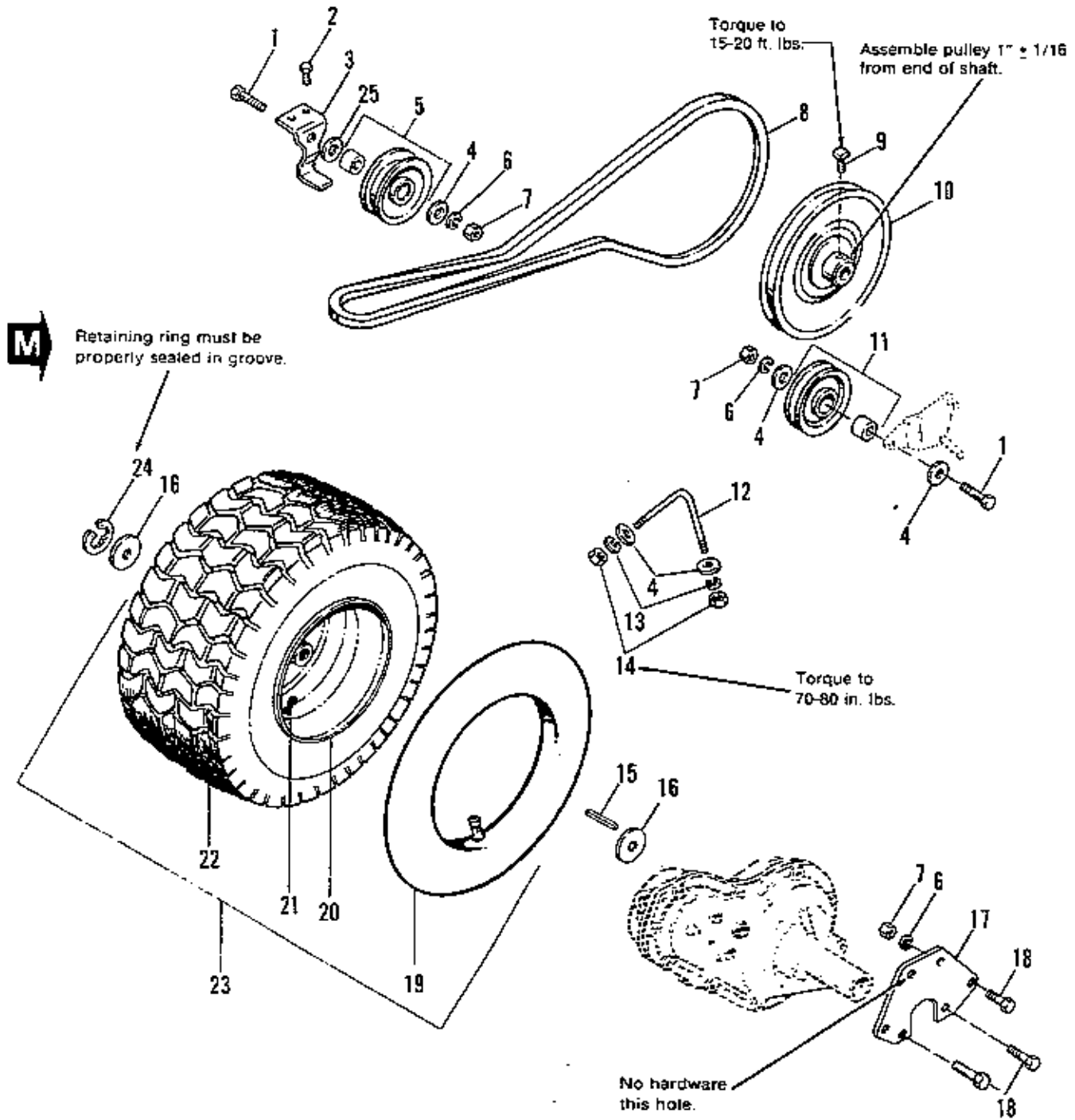
NOTE. Use standard hardware torque spec. chart unless otherwise noted.

Ref. No.	Part No.	Qty.	Description
1	1667346	1	CAP, Pipe, Hex
2	1655405	1	PIPE, Oil Drain
3		1	ENGINE ASSY., 8 H.P. Briggs & Stratton (6108 Only)
		1	ENGINE ASSY., 11 H.P. Briggs & Stratton (6111 Only)
4	1657272	1	CONTROL ASSY.
5	1656099	1	KNOB
6	924939	2	RIVET, Pop, 1/4 x 7/16
7	924356	6	WASHER, Plain, 3/8
8	172844	2	STOP, Belt
9	917378	2	WASHER, Plain, 3/8
10	930603	4	SCREW, Taptite, 3/8-16 x 1-3/4
11	1650670	1	GASKET, Muffler (6111 Only)
12	1655860	1	PIPE, Exhaust (6111 Only)
13	930591	2	SCREW, Whizlock, 5/16-18 x 3/4 (6111 Only)
14	931893	1	CLAMP, Exhaust (6111 Only)
15	1655848	1	MUFFLER (6111 Only)
16	917356	2	LOCKWASHER, 5/16 (6111 Only)
17	917372	2	NUT, Hex, Full, 5/16-18 (6111 Only)
18	928038	1	CAPSCREW, Hex, 7/16-20 x 1-1/4
19	918199	1	LOCKWASHER, 7/16
20	1665272	1	PULLEY ASSY., Engine



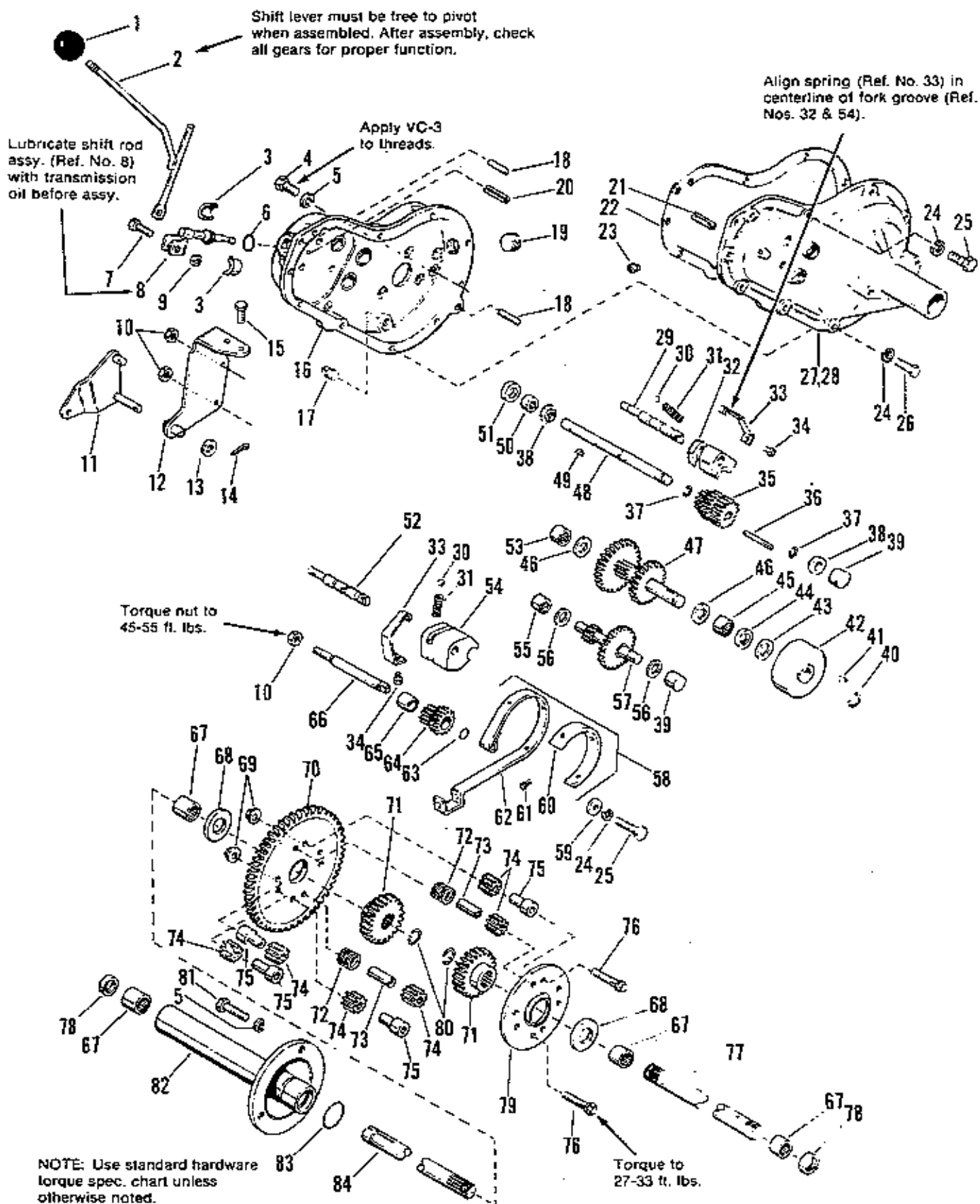
NOTE: Use standard hardware torque spec. chart unless otherwise noted.

Ref. No.	Part No.	Qty.	Description
1	1667748	1	CHOKE (Used on 6118)
	1665507	1	CHOKE (Used on 6116)
2	1665752	1	BAFFLE, Engine, Rear
3		1	ENGINE, 16 H.P. Briggs & Stratton (Used on 6116)
		1	ENGINE, 18 H.P., Briggs & Stratton (Used on 6118)
4	1666835	4	CLIP, Wire
5	1656099	1	KNOB
6	924939	2	RIVET, Pop. 1/4 x 7/16
7	1665516	1	CONTROL ASSY.
8	924356	6	WASHER, Plain (Used on 6116)
9	121073	2	STOP, Belt, (Used on 6116)
10	917378	2	WASHER, Plain, 3/8 (Used on 6116)
11	930603	4	SCREW, Taptite, 3/8-16 x 1-3/4 (Used on 6116)
12	1665272	1	PULLEY ASSY., Engine
13	918199	1	LOCKWASHER, 7/16
14	928038	1	CAPSCREW, Hex, 7/16-20 x 1-1/4
15	1666787	1	EXTENSION ASSY., Muffler
16	934940	4	SCREW, Hex Thd., Cutting, #8-32 x 3/8
17	932849	1	LOCKNUT, Conduit, 3/8 (BC-38)
18	901497	1	PIPE, Oil Drain
19	1667346	1	PIPE, Cap, Hex



NOTE: Use standard hardware torque spec. chart unless otherwise noted.

Ref. No.	Part No.	Qty.	Description
1	920415	2	CAPSCREW, Hex, 3/8-16 x 1-1/4
2	927428	2	SCREW, Hex, Taptite, 1/4-20 x 3/8
3	1665327	1	BRACKET, Idler
4	917642	5	WASHER, Plain, 5/16
5	1685144	1	PULLEY ASSY., Kit
6	916965	5	LOCKWASHER, 3/8
7	916950	5	NUT, Hex, Full, 3/8-16
8	1664789	1	V-BELT, (Drive) (Used on 6116 & 6118)
	1665450	1	V-BELT (Drive) (Used on 6108 & 6111)
9	928721	1	SETSCREW, 5/16-18 x 1/2
10	1666733	1	PULLEY ASSY., Transmission
11	1685150	1	PULLEY ASSY., Kit
12	1655084	1	BOLT, Axle
13	917356	2	LOCKWASHER, 5/16
14	917372	2	NUT, Hex, Full, 5/16-18
15	905100	2	KEY, 1/4 x 1/4 x 2-1/4
16	168055	4	WASHER
17	1653885	1	SUPPORT, Bracket
18	934654	5	CAPSCREW, Hex, Whizlock, 3/8-16 x 1
19	1666708	2	TUBE (Used on 6116 & 6118)
	173477	2	TUBE (Used on 6108 & 6111)
20	1665325	2	WHEEL ASSY.
21	156305	2	VALVE STEM & CAP
22	1685326	2	TIRE, 20 x 10-10, Carlisle (6116 & 6118)
	173456	2	TIRE, Goodyear or Carlisle (Used on 6108 & 6111)
23	1663808	2	WHEEL & TIRE ASSY., 20 x 10-10 (Used on 6116 & 6118)
	1665639	2	WHEEL & TIRE ASSY. (Used on 6108 & 6111)
24	934712	2	E-RING, Ext.
25	922755	1	WASHER, Plain, 13/32



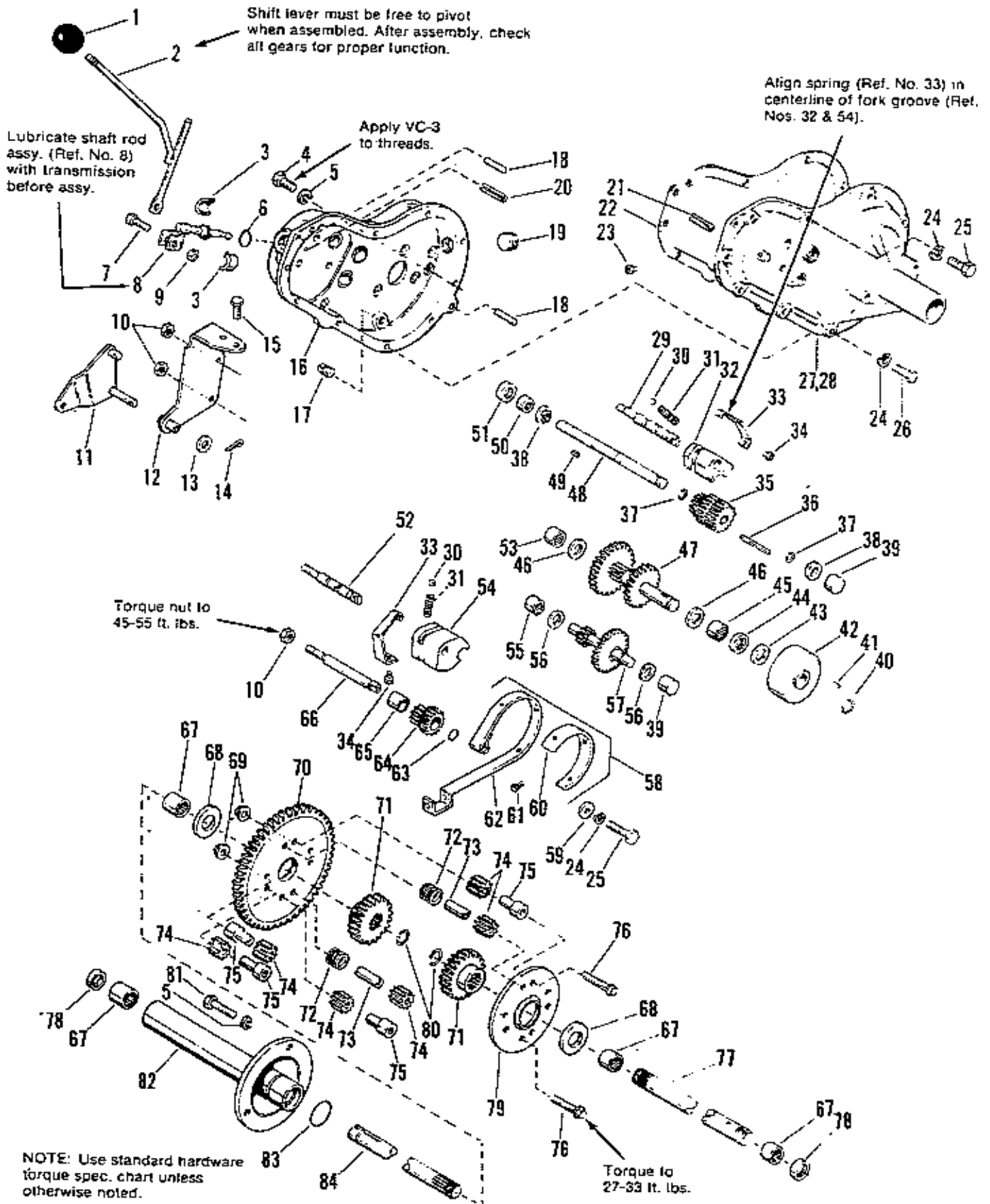
Ref. No.	Part No.	Qty.	Description
1	8021050	1	KNOB
2	1657971	1	ROD ASSY., Shift
3	101042	2	BUSHING
4	922586	1	CAPSCREW, Hex, 3/8-16 x 5/8
5	916965	1	LOCKWASHER, 3/8
6	1665276	1	O-RING
7	921960	1	CAPSCREW, Hex, 1/4-20 x 1
8	1663233	1	ROD ASSY., Pivot
9	923358	1	LOCKNUT, Hex, 1/4-20
10	935041	3	LOCKNUT, Hex, Flange, 7/16-14
11	1665014	1	BRACKET ASSY., Pulley
12	1666175	1	SUPPORT ASSY., Transmission
13	917378	1	WASHER, Plain, 3/8
14	918447	1	PIN, Cotter, 3/32 x 3/4
15	925205	2	CAPSCREW, Hex, 5/16-18 x 5/8
16	1664833	1	CASE ASSY., Gear
17	901653	1	PLUG, Pipe, 3/8
18	918113	2	PIN, Spring, 3/8 Dia. x 1
19	930676	1	PLUG Pipe, 3/4
20	156308	1	PIN ASSY., Roll
21	1664831	1	PIN ASSY., Roll
22	156103	1	GASKET
23	118462	1	PLUG, Vent
24	917356	11	LOCKWASHER, 5/16
25	921221	2	CAPSCREW, Hex, 5/16-18 x 1-1/2
26	921977	9	CAPSCREW, Hex, 5/16-18 x 1-1/4
27	1664832	1	COVER ASSY., Gear Case
28		1	COVER, Gear Case
29	171372	1	SHAFT, Shift, 2nd & 3rd
30	905359	2	BALL, Shift Lock
31	171456	2	SPRING
32	1664943	1	FORK, Shift, 2nd & 3rd
33	1657656	2	SPRING
34	1654905	2	CAPSCREW, Hex Washer Hd., 5/16-18 x 5/16
35	1664882	1	PINION ASSY., Drive
36	170453	1	KEY
37	1667621	2	RING, Retaining
38	1666379	2	WASHER
39	1664830	2	BEARING, Roller
40	927732	1	RING, Snap
41	918312	1	KEY, Woodruff, 3/16 x 5/8
42	1665010	1	DRUM ASSY., Brake

*Reference No. 16 includes Ref. Nos. 3, 6, 8, 10, 20, 50, 53 & 55.

**Reference No. 27 includes Ref. Nos. 21, 23, 28, 39, 45 & 67.

***Reference No. 59 Includes Ref. Nos. 60, 61 & 62.

NOTE: Parts Ref. No. 43-84 continued on the following page.



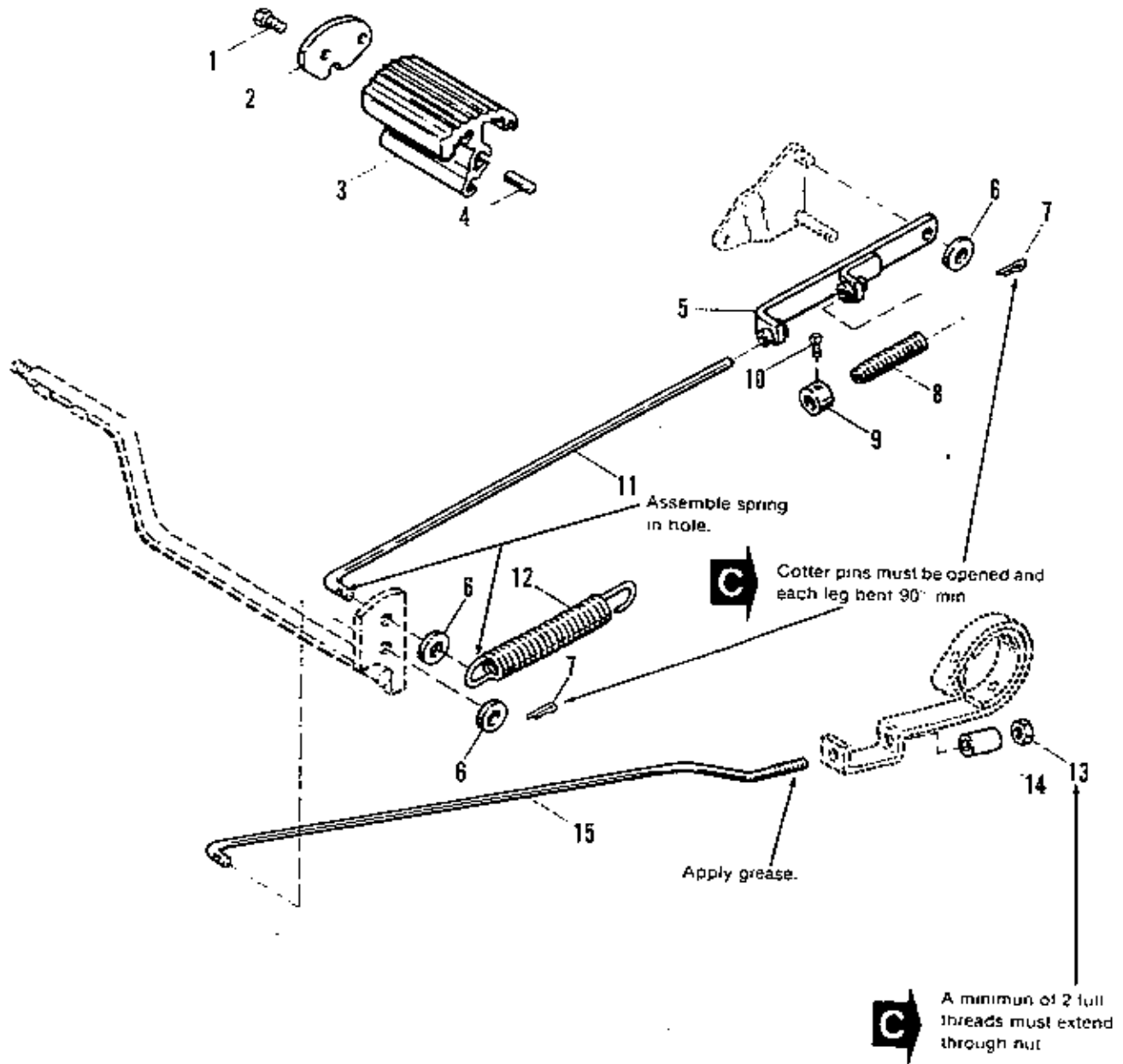
Ref No.	Part No.	Qty.	Description
43	920120	1	WASHER, Plain, 25/32
44	154263	1	SEAL, Oil
45	171597	1	BEARING
46	1664908	2	WASHER
47	1664870	1	PINION SHAFT & GEAR CLUSTER ASSY.
48	1666380	1	SHAFT, Input
49	930670	1	KEY, 3/16 x 3/4
50	156072	1	BEARING
51	156084	1	SEAL, Oil
52	171365	1	SHAFT, Shift, 1st & Rev.
53	171185	1	BEARING
54	1664942	1	FORK, Shift, 1st & Rev.
55	156073	1	BEARING
56	1664907	2	WASHER
57	1664874	1	PINION SHAFT & GEAR ASSY., 1st
**58	1665465	1	BAND ASSY., Brake
59	917642	1	WASHER, Plain, 5/16
60	1664983	1	LINING, Brake
61	928308	3	RIVET
62		1	BAND, Brake (See Ref. No. 58)
63	165006	1	O-RING
64	1664878	1	PINION ASSY., 1st & Rev.
65	1664881	1	BUSHING
66	1664865	1	SHAFT, 1st & Rev. Pinion
67	105195	4	BEARING, Roller
68	1664741	2	WASHER
69	930645	8	LOCKNUT, Flange, 3/8-16
70	1664734	1	GEAR, Drive
71	1664695	2	GEAR, Differential
72	162085	2	SPRING
73	121083	2	SPACER, Pinion Diff
74	158579	8	PINION, Diff.
75	1664740	6	STUD, Diff.
76	1664742	8	SCREW, Hex, Flange, 3/8-16 x 2-1/2
77	1665264	1	SHAFT, Axle, R.H.
78	118118	2	SEAL, Oil
79	1664743	1	PLATE, Diff.
80	927320	2	RING, Snap
81	921966	3	CAPSCREW, 3/8-16 x 7/8
82	1665269	1	HOUSING & BEARING ASSY., Axle (Includes Ref. No. 67)
83	156099	1	O-RING
84	1665263	1	SHAFT, Axle, L.H.

*Reference No. 16 includes Ref. Nos. 3, 6, 8, 18, 20, 50, 53 & 55.

**Reference No. 27 includes Ref. Nos. 21, 23, 28, 39, 45 & 67.

***Reference No. 58 includes Ref. Nos. 60, 61 & 62.

NOTE: Parts Ref. Nos. 1-42 are found on preceding page.



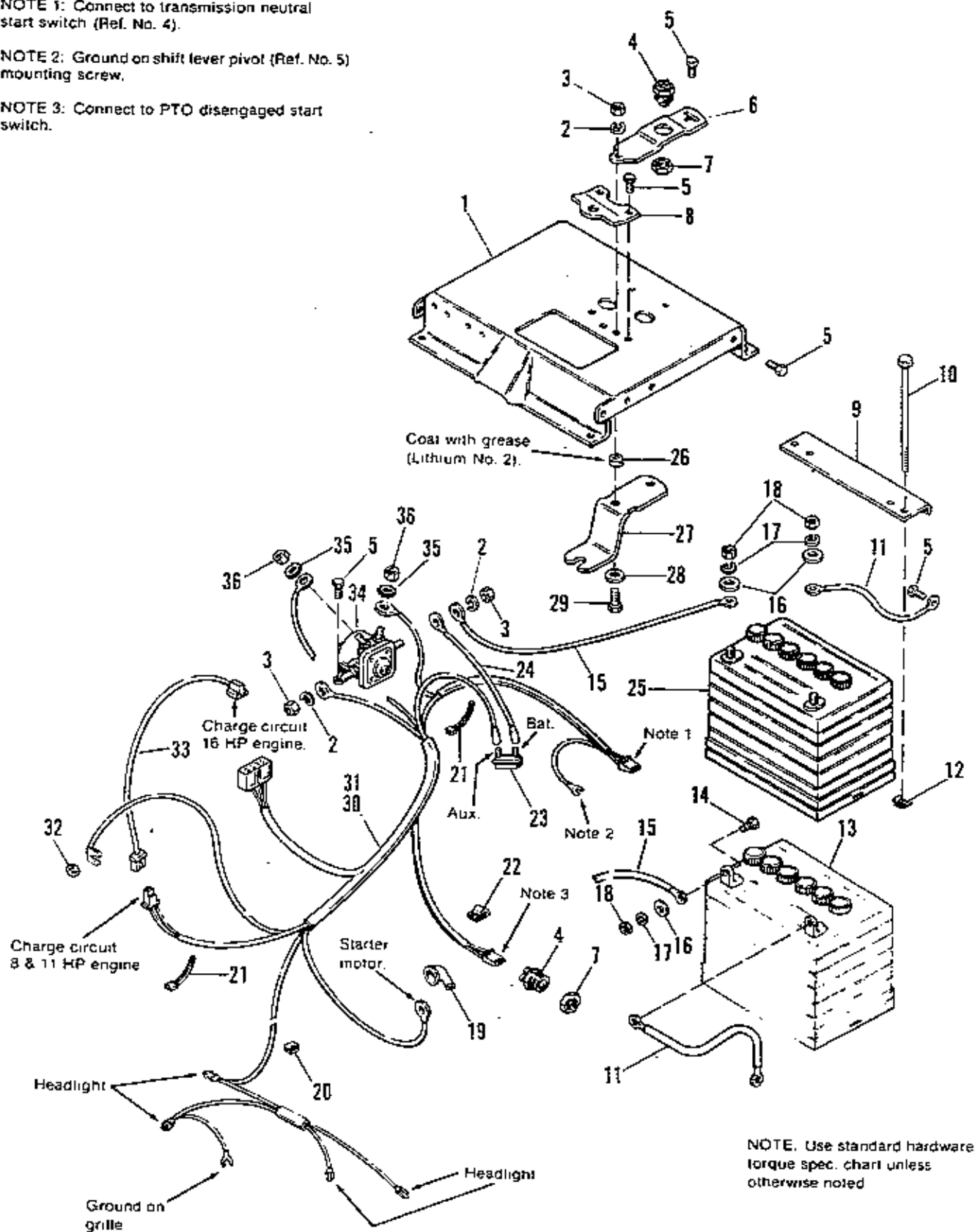
NOTE: Use standard hardware torque spec. chart unless otherwise noted.

Ref. No.	Part No.	Qty.	Description
1	927429	2	SCREW, Hex, Taptite, 1/4-20 x 5/8
2	1656854	1	PLATE, End
3	1656852	1	PEDAL, Foot
4	1657322	1	DAMPER, Rubber
5	1666161	1	GUIDE ASSY., Rod
6	917642	3	WASHER, Plain, 5/16
7	918447	2	PIN, Cotter, 3/32 x 3/4
8	157041	1	SPRING
9	8191022	1	COLLAR, Set
10	928804	1	SETSCREW, 1/4-20 x 3/8
11	1665655	1	ROD, Clutch
12	1666759	1	SPRING, Return
13	922694	1	LOCKNUT, Esna, Hex, 3/8-16
14	172926	1	SPACER
15	1665456	1	ROD, Brake

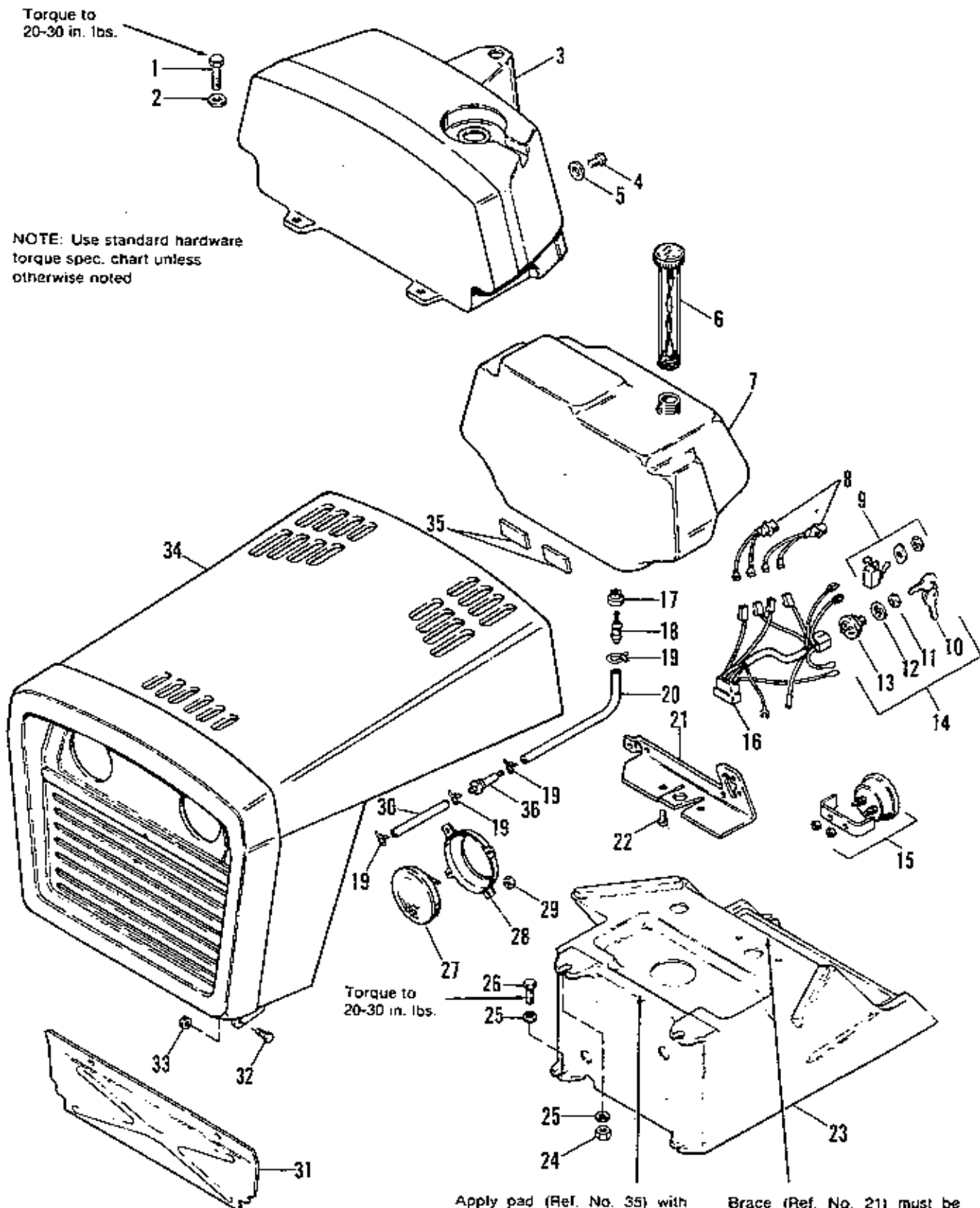
NOTE 1: Connect to transmission neutral start switch (Ref. No. 4).

NOTE 2: Ground on shift lever pivot (Ref. No. 5) mounting screw.

NOTE 3: Connect to PTO disengaged start switch.



Ref. No.	Part No.	Qty.	Description
1	1655087	1	SUPPORT, Frame
2	917356	3	LOCKWASHER, 5/16
3	917372	3	NUT, Hex, Full, 5/16-18
4	1654634	2	SWITCH, Interlock
5	927428	14	SCREW, Hex, Taptite, 1/4-20 x 3/8
6	1655746	1	BRACKET, Switch
7	930647	2	LOCKNUT, Hex, 9/16-18
8	1655264	1	PIVOT, Shift Lever
9	1655890	1	HOLD DOWN, Battery
10	928634	2	CAPSCREW, Hex, 1/4-20 x 7
11	122213	1	CABLE
12	926022	2	NUT, Retainer, 1/4-20
13	1685059	1	BATTERY, 32 amp (Used on 6108 Only)
14	923341	2	CAPSCREW, Hex, 1/4-20 x 3/4 (Used on 6108 Only)
15	1655522	1	CABLE
16	917377	2	WASHER, Plain, 1/4
17	916964	2	LOCKWASHER, 1/4
18	916622	2	NUT, Hex, Full, 1/4-20
19	122023	1	COVER, Terminal
20	930222	1	CLIP, Wire
21	932747	2	TIE, Self Locking
22	165073	1	CLIP, Speed
23	172163	1	BREAKER, Circuit
24	1665237	1	WIRE ASSY.
25	1685063	1	BATTERY, 39 amp (Used on 6111, 6116 & 6118)
26	1655085	1	SPACER
27	1655265	1	LEVER, Switch
28	157643	1	WASHER
29	921333	1	CAPSCREW, Hex, 5/16-18 x 1
30	1665904	1	HARNESS, Lower (Includes Ref. No. 31)
31	1663153	1	DIODE ASSY.
32	917385	1	NUT, Hex, Mach., #8-32
33	1665522	1	WIRE ASSY. (Used on 6116 & 6118)
34	1657985	1	SOLENOID
35	922711	2	LOCKWASHER, Ext. #10
36	917415	2	NUT, Hex, #10-32

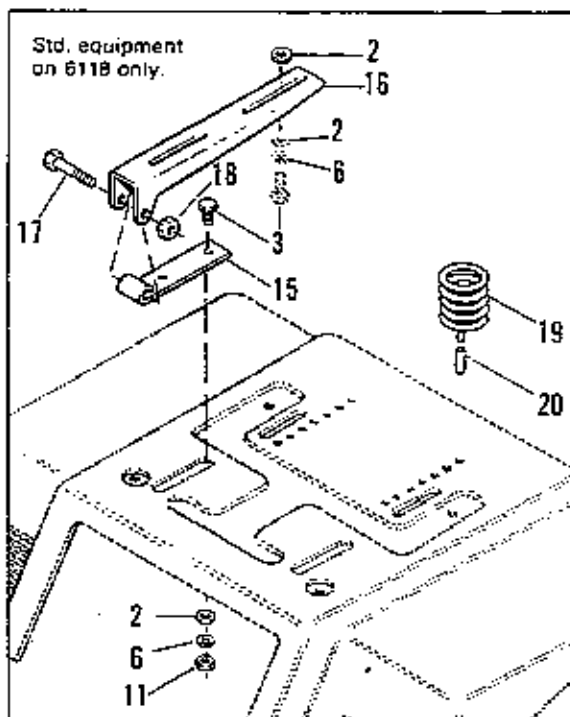
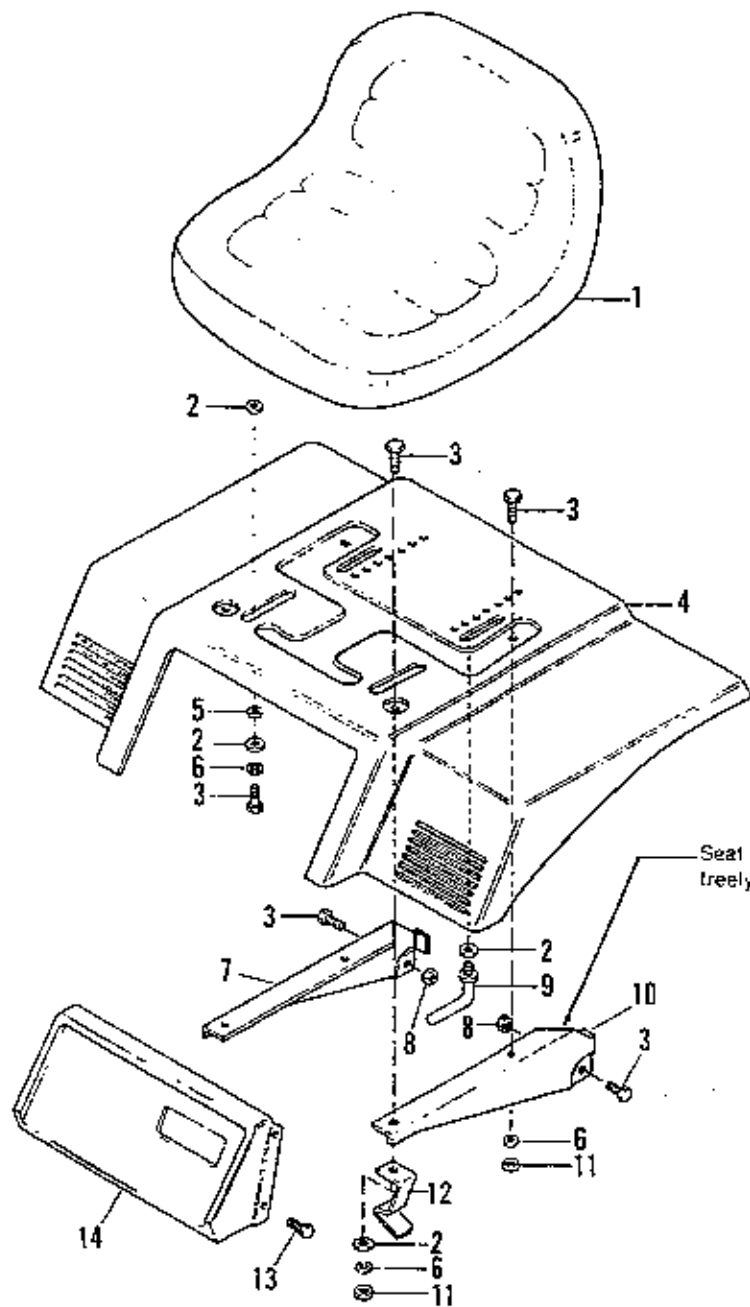


Ref. No.	Part No.	Qty.	Description
1	921961	2	CAPSCREW, Hex, 1/4-20 x 1-1/4
2	917377	2	WASHER, Plain, 1/4
3	1665732	1	DASH BOARD, Top
4	930561	2	SCREW, #14 x 3/4
5	916955	2	WASHER, Plain, 3/16
6	171252	1	CAP, Fuel
*7	1666490	1	TANK ASSY., Fuel
8	1666037	2	LIGHT, Indicator
9	122184	1	SWITCH, Toggle
10	122203	1	KEYS, 2
11	122234	1	NUT, Hex, 5/8-32
12	918906	1	LOCKWASHER, Int., 5/8
13	1665250	1	SWITCH
**14	178280	1	SWITCH ASSY., Ignition
15	122131	1	AMMETER
16	1665241	1	HARNASS, Upper
17	1654930	1	BUSHING
18	1666447	1	FITTING, Elbow
19	154372	4	CLAMP (Qty.3 used on 6116 & 6118)
20	1664516	1	HOSE, Fuel (12" long)
21	1665301	1	BRACE, Dash
22	925592	2	SCREW, Taptite, 1/4-20 x 3/4
23	1667260	1	DASHBOARD, Bottom
24	923358	2	LOCKNUT, Hex, 1/4-20
25	931704	6	LOCKWASHERS, Dished, 1/4
26	929783	4	SCREW, Taptite, 1/4-20 x 1
***27		2	LAMP, Sealed Beam, G.E. #4411-1
28	1665813	2	BRACKET, Headlight Support
29	1665253	8	LOCKNUT, Pal. #10-24
30	1657652	1	HOSE, Fuel (4-3/8" long) (Used on 6108 & 6111)
31	1665751	1	BAFFLE, Engine, Front (Used on 6116 & 6118)
32	921966	2	CAPSCREW, Hex, 3/8-16 x 7/8
33	930651	2	LOCKNUT, Hex, 3/8-16
34	1667002	1	HOOD & GRILLE ASSY.
35	173335	2	PAD
36	173206	1	FILTER, Fuel

*Reference No. 7 includes Ref. Nos. 17, 18, 19 (Qty. 1) & 20.

**Reference No. 14 includes Ref. Nos. 10, 11 & 13.

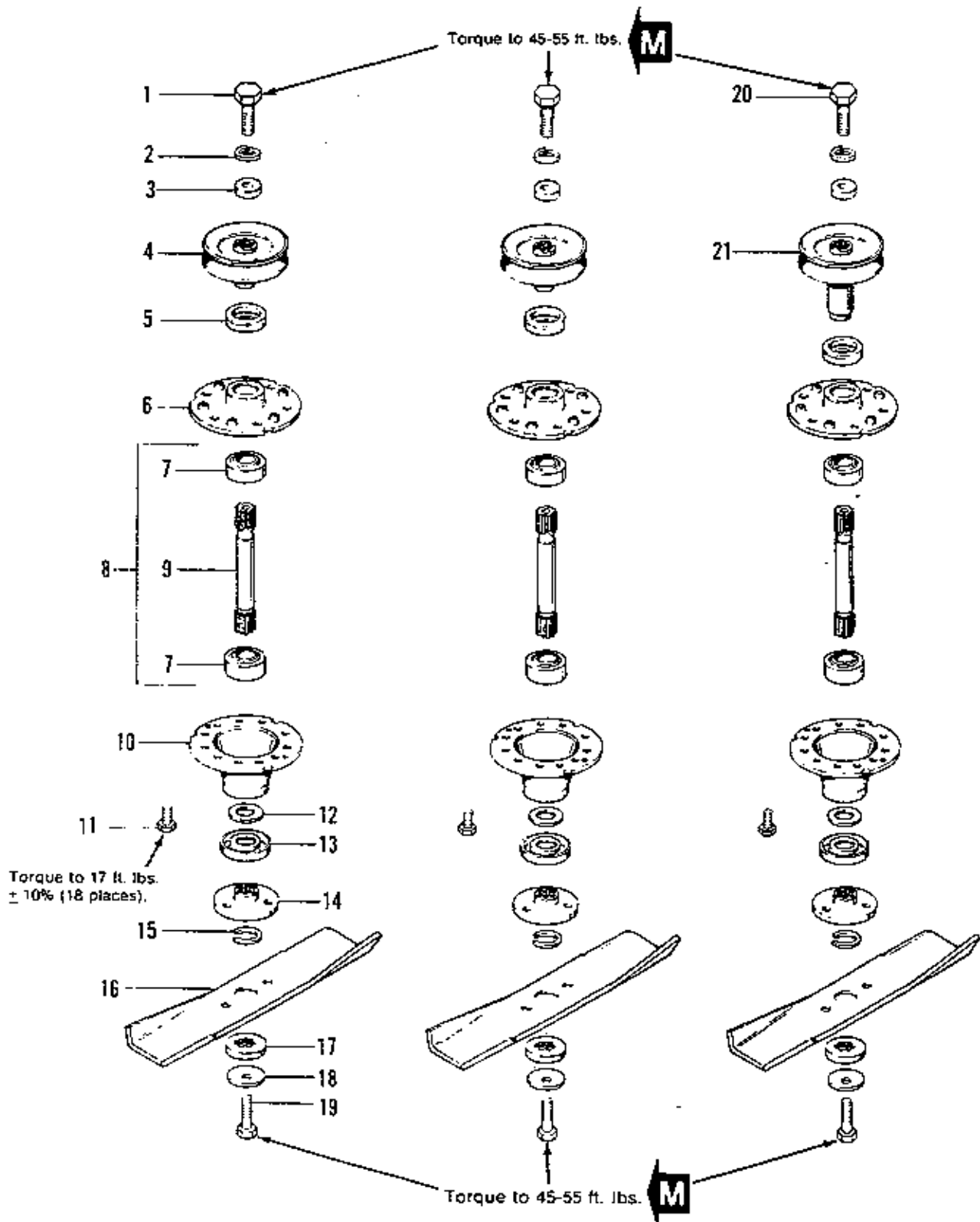
***Obtain from your local automotive dealer.



NOTE. Use standard hardware torque spec. chart unless otherwise noted

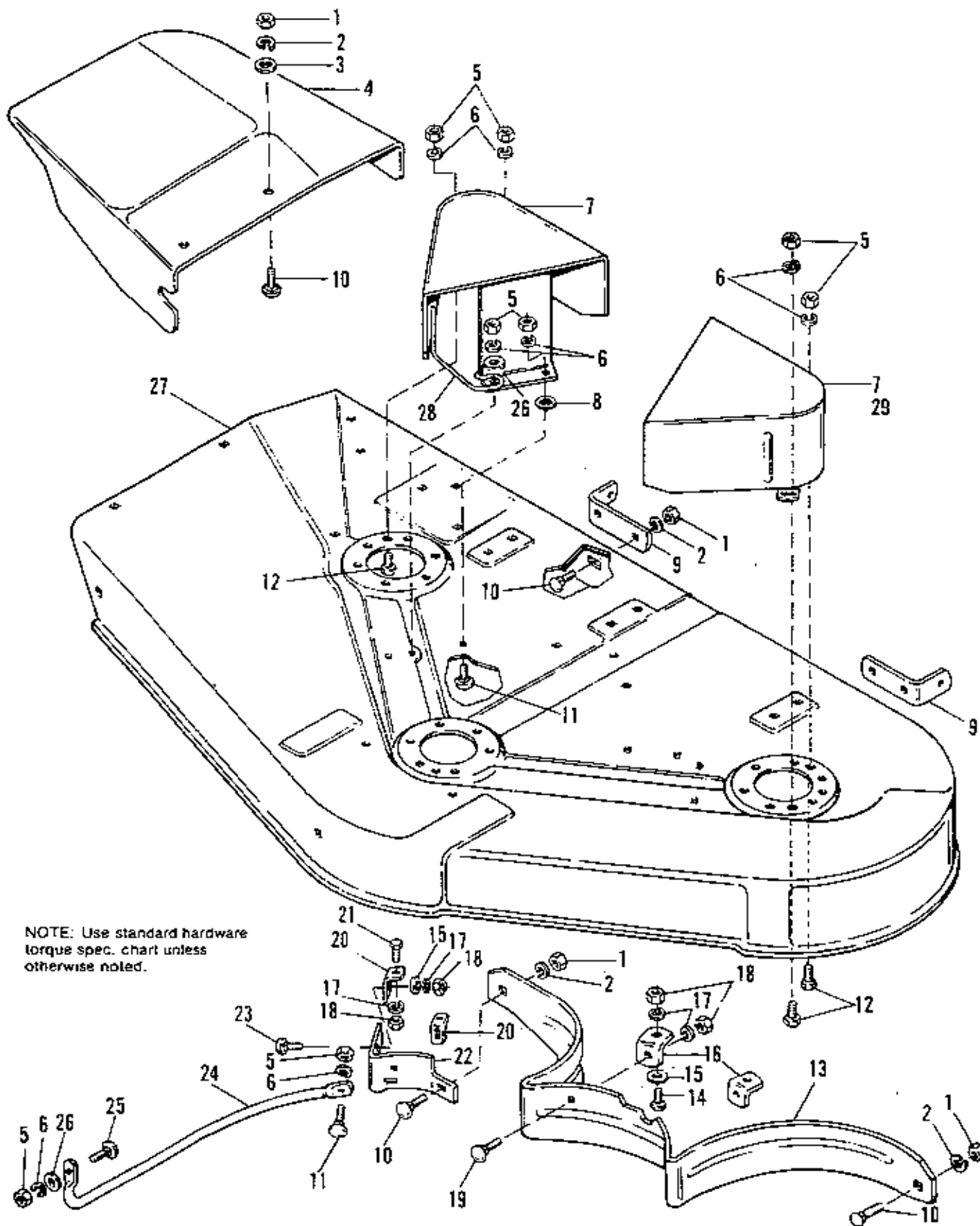
Ref. No.	Part No.	Qty.	Description
1	1666578	1	SEAT
2	917642	13	WASHER, Plain, 5/16 (Qty. 7 on 6108, 6111, & 6116)
3	921332	14	CAPSCREW, Hex, 5/16-18 x 3/4 (Qty. 8 on 6108, 6111 & 6116)
4	1666579	1	DECK, Seat
5	1655281	2	SPACER (Used on 6108, 6111 & 6116)
6	917356	12	LOCKWASHER, 5/16 (Qty. 6 on 6108, 6111, & 6116)
7	1654708	1	SUPPORT, Seat, R.H.
8	923362	2	LOCKNUT, Hex, 5/16-18
9	1655282	2	SCREW, Hand (Used on 6108, 6111, & 6116)
10	1654709	1	SUPPORT, Seat, L.H.
11	917372	8	NUT, Hex, Full, 5/16-18 (Qty. 4 on 6108, 6111 & 6116)
12	1655287	1	LATCH, Spring
13	925003	4	SCREW, Hex, TapTite, 1/4-20 x 1/2
14	1655311	1	PANEL, Shift
*15	1666197	2	HINGE, Lower
*16	1666200	2	HINGE, Upper
*17	921971	2	CAPSCREW, Hex, 3/8-16 x 1-3/4
*18	930651	2	LOCKNUT, Hex, 3/8-16
*19	1666690	2	SPRING, Seat
*20	1666691	2	COVER, Wire

*Used on Mfg. No. 1690598 (6118) only.



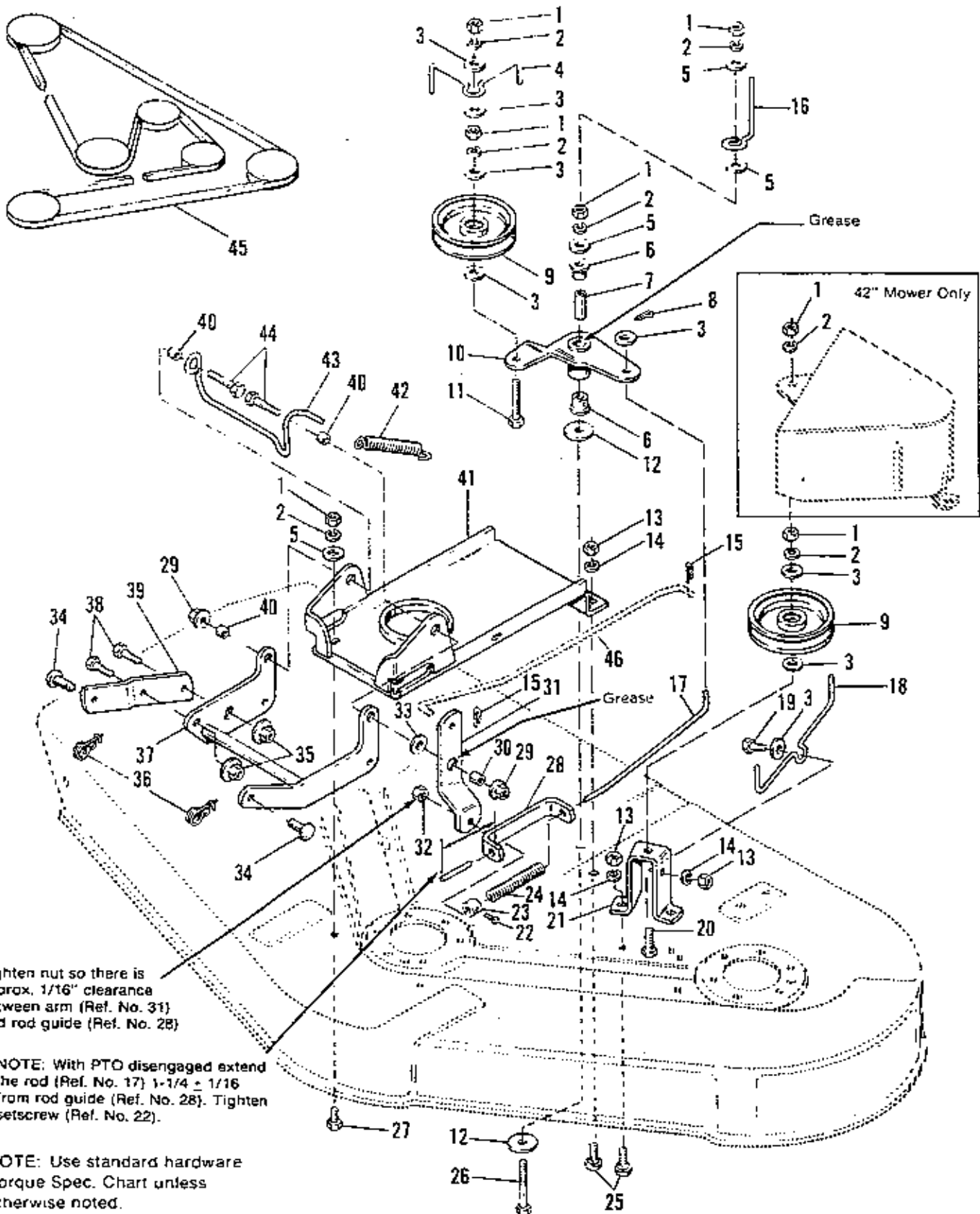
NOTE: Use standard hardware Torque Spec. Chart unless otherwise note

Ref. No.	Part No.	Qty.	Description
1	921212	2	CAPSCREW, Hex. 7/16-14 x 1-1/2
2	918199	3	LOCKWASHER, 7/16
3	933263	3	WASHER, Plain, 29/64 x 1-1/4 x 1/4
4	1665476	2	PULLEY ASSY
5	1657969	3	SHIELD, Bearing Upper
6	1655729	3	HOUSING TOP
7	108202	6	BEARING
8	1663336	3	SHAFT & BEARING ASSY.
9		3	SHAFT, Arbor (See Ref. No. 8)
10	1655728	3	HOUSING, Bottom
11	1664847	16	SCREW, Hex. Taplite, 5/16-18 x 3/4
12	1664241	3	WASHER, Shim
13	1657588	3	SHIELD, Grass
14	1655777	3	BLADE, Adapter
15	1657528	3	RING, Self Locking
16	1656146	3	BLADE, 48" Mower
	1656147	3	BLADE, 42" Mower
17	1656927	3	WASHER, Spline
18	1656916	3	WASHER, Spring
19	920676	3	CAPSCREW, Hex. 7/16-14 x 1
20	926111	1	CAPSCREW, Hex. 7/16-14 x 3-1/2
21	1665347	1	PULLEY ASSY

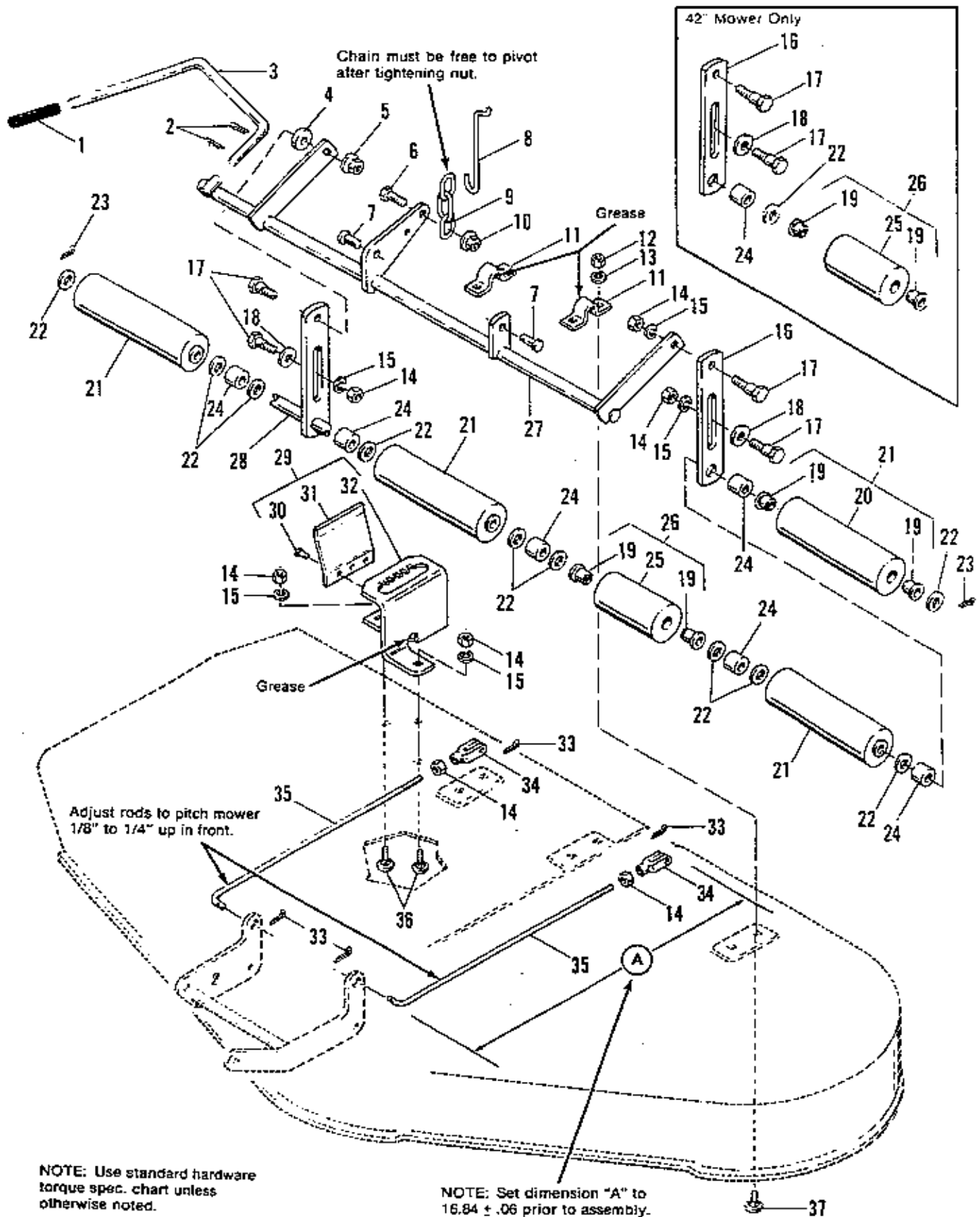


Ref. No.	Part No.	Qty.	Description
1	918950	8	NUT, Hex. 3/8-16
2	916965	8	LOCKWASHER, 3/8
3	917378	2	WASHER, Plain, 3/8
4	1656049	1	DEFLECTOR
5	917372	10	NUT, Hex. 5/16-18 (Qty. 8 on 42" Mower)
6	917356	10	LOCKWASHER, 5/16 (Qty. 8 on 42" Mower)
7	1666861	2	ARBOR COVER ASSY. (Qty. 1 on 42" Mower)
8	933988	4	PUSHNUT, 5/16 (Qty. 2 on 42" Mower)
9	1603264	2	BRACKET, Roller Support
10	922110	8	BOLT, Carriage, 3/8-16 x 3/4
11	920562	4	BOLT, Carriage, 5/16-18 x 3/4 (Qty. 2 on 42" Mower)
12	921333	4	CAPSCREW, Hex. 5/16-18 x 1
13	1608327	1	BAFFLE (48" Mower)
	1608135	1	BAFFLE (42" Mower)
14	923341	2	CAPSCREW, Hex. 1/4-20 x 3/4
15	917377	4	WASHER, 1/4
16	1608331	2	CLIP, Baffle
17	916964	8	LOCKWASHER, 1/4
18	916622	8	NUT, Hex. 1/4-20
19	916943	2	BOLT, Carriage, 1/4-20 x 5/8
20	108186	2	CLIP GUARD & BAFFLE
21	923341	2	CAPSCREW, Hex. 1/4-20 x 3/4
22	1665709	1	BAFFLE, Discharge
23	930517	2	BOLT, Carriage, 1/4-20 x 3/4
24	1665562	1	GUARD, Mower Discharge
25	920563	1	BOLT, Carriage, 5/16-18 x 1
26	919381	2	WASHER, 11/32 x 1
*27	1685154	1	48" ROTARY MOWER HOUSING KIT
	1685156	1	42" ROTARY MOWER HOUSING KIT
28	1666888	1	STOP, Belt
29	1666862	1	ARBOR COVER ASSY. (42" Mower)

*Reference No. 27 includes decals.



Ref. No.	Part No.	Qty.	Description
1	916950	8	NUT, Hex, 3/8-16 (Qty. 6 on 48" Mower)
2	916955	8	LOCKWASHER, 3/8 (Qty. 6 on 48" Mower)
3	917642	8	WASHER, Plain, 5/16
4	1665758	1	STOP, Belt
5	917378	5	WASHER, Plain, 3/8 (Qty. 3 on 48" Mower)
6	1663114	2	BUSHING
7	1657242	1	SPACER
8	918447	1	PIN, Cotter, 3/32 x 3/4
9	171247	2	PULLEY, Idler
10	1665635	1	LEVER ASSY., Clutch
11	921766	1	CAPSCREW, Hex, 3/8-16 x 2-1/4
12	8161199	2	WASHER, Special
13	917372	5	NUT, Hex, 5/16-18
14	917356	5	LOCKWASHER, 5/16
15	918196	2	PIN, Quick, 1-7/8
16	167032	1	STOP, Belt (42" Mower)
17	1665637	1	ROD, Clutch, Mower
18	1665757	1	STOP, Belt
19	921333	1	CAPSCREW, Hex, 5/16-18 x 1
20	920415	1	CAPSCREW, Hex, 3/8-16 x 1-1/4 (48" Mower)
	929116	1	CAPSCREW, Hex, 3/8-16 x 2 (42" Mower)
21	1665649	1	SUPPORT, Idler
22	928804	1	SETSCREW, Sq. Hd., 1/4-20 x 3/8
23	8191022	1	COLLAR, Set
24	163103	1	SPRING
25	920562	4	BOLT, Carriage, 5/16-18 x 3/4
26	928957	1	CAPSCREW, Hex, 3/8-16 x 2-3/4 (48" Mower)
	923938	1	CAPSCREW, 3/8-16 x 3-1/2 (42" Mower)
27	921965	2	CAPSCREW, Hex, 3/8-16 x 3/4
28	108662	1	GUIDE ASSY., Rod
29	930645	2	NUT, Hex, Flange, 3/8-16
30	1665699	1	SPACER
31	1665624	1	ARM, Pivot
32	923362	1	LOCKNUT, Hex, 5/16-18
33	919387	1	WASHER, Plain, 5/8
34	156306	2	PIN
35	928352	2	LOCKNUT, Flange, Whiz, 3/8-16
36	176012	2	PIN, Safety
37	1665632	1	ARM ASSY., Rocker
38	921210	2	CAPSCREW, Hex, 3/8-16 x 1
39	1665629	1	ARM, Rocker
40	118335	3	SPACER
41	1665647	1	SUPPORT ASSY.
42	159159	1	SPRING, Tension
43	1665679	1	ROD, Brake (48" Mower)
	1665654	1	ROD, Brake (42" Mower)
44	921971	2	CAPSCREW, Hex, 3/8-16 x 1-3/4
45	1665638	1	V-BELT, Mower Drive (48" Mower)
	1665646	1	V-BELT, Mower Drive (42" Mower)
46	1665748	1	ROD, Clutch, Tractor PTO (6116 & 6118)
	1665786	1	ROD, Clutch, Tractor PTO (6111)



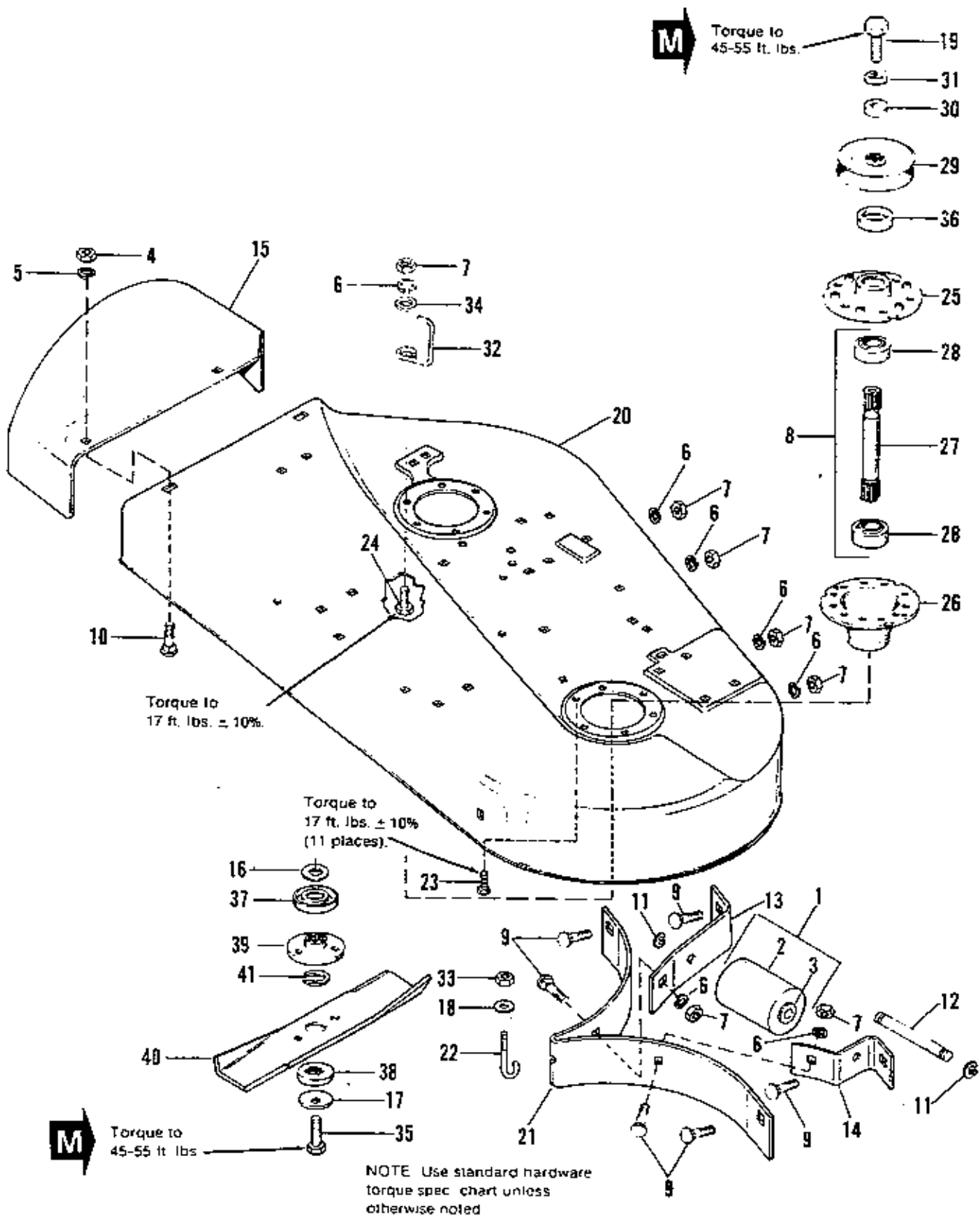
Height Adjusting & Roller Group (42" & 48" Mower)

2/80

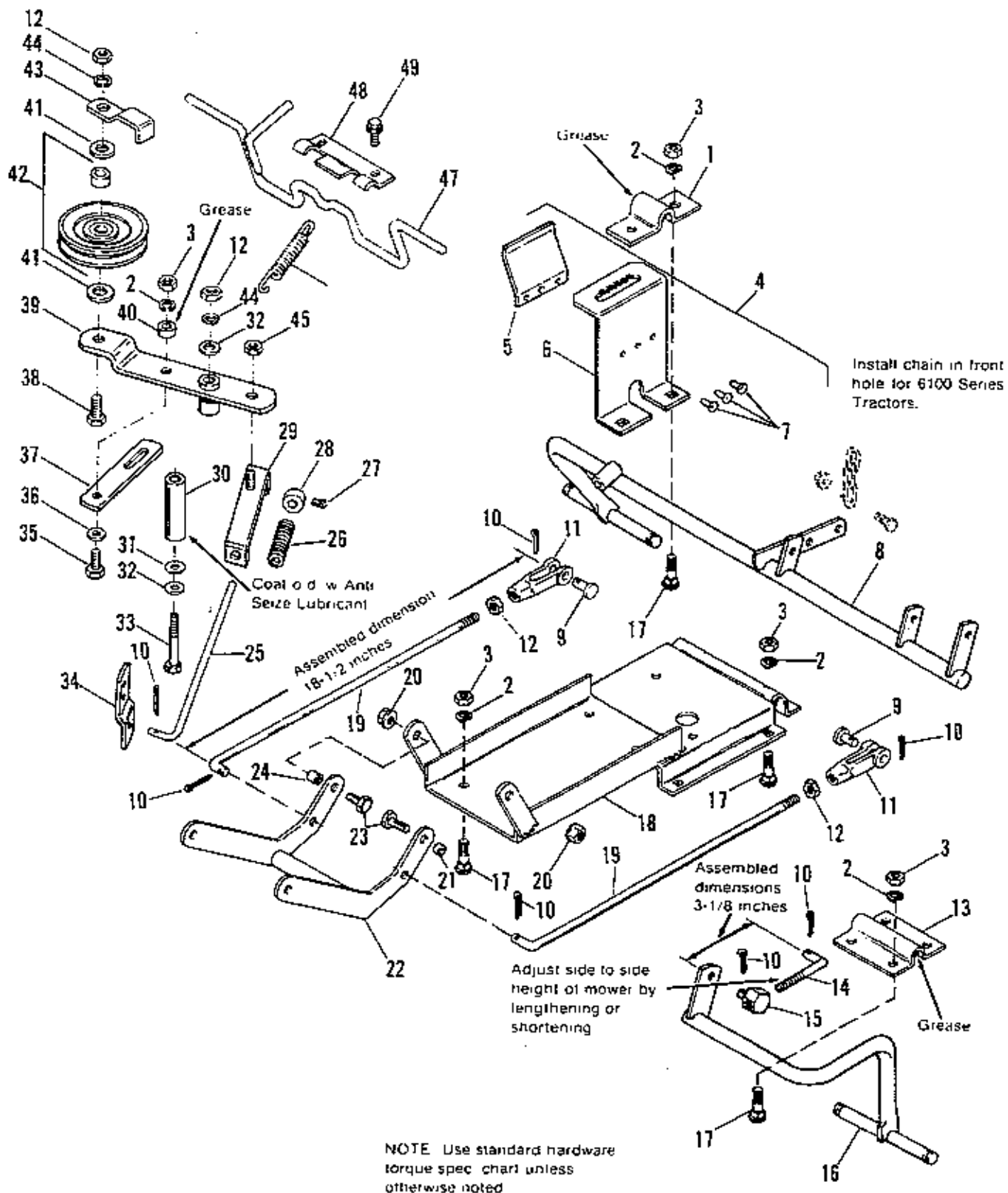
Ref. No.	Part No.	Qty.	Description
1	176933	1	GRIP
2	918452	2	PIN, Cotter, 1/8 x 1
3	1656412	1	LEVER, Control
4	922755	1	WASHER, Plain, 13/32
5	928352	1	LOCKNUT, Hex, Flange, Whiz, 3/8-16
6	921333	1	CAPSCREW, Hex, 5/16-18 x 1
7	923087	2	PIN, Clevis
8	1665445	1	ROD, Lift
9	1656835	1	LIFT, Chain
10	929001	1	LOCKNUT, Flange, 5/16-18
11	1665374	2	STRAP
12	917372	4	NUT, Hex, 5/16-18
13	917356	4	LOCKWASHER, 5/16
14	916950	8	NUT, Hex, 3/8-16
15	916965	6	LOCKWASHER, 3/8
16	1603263	1	BAR, Roller
17	1665693	4	BOLT, Shoulder, 3/8-16
18	918430	2	WASHER, Plain, 7/16
19	108419	10	BUSHING
*20		4	ROLLER, Large (Qty. 3 on 42" Mower only)
*21	1608398	4	ROLLER ASSY., Large (Qty. 3 on 42" Mower only)
22	919387	11	WASHER, 25/32 x 1-1/4
23	918458	2	PIN, Cotter, 3/16 x 1
24	1602946	6	SPACER
*25		2	ROLLER, Small (Qty. 1 on 48" Mower only)
**26	108431	2	ROLLER ASSY., Small (Qty. 1 on 48" Mower only)
27	1665375	1	ARM ASSY., Mower
28	1607607	1	SHAFT ASSY., Roller (48" Mower only)
	1657405	1	SHAFT ASSY., Roller (42" Mower only)
29	1665371	1	QUADRANT ASSY.
30	910542	3	RIVET
31	1663222	1	SPRING
32	1665370	1	QUADRANT
33	918447	4	PIN, Cotter, 3/32 x 3/4
34	108157	2	CLEVIS, Adj.
35	1665417	2	ROD, Adj.
36	922110	3	BOLT, Carriage, 3/8-16 x 3/4
37	920562	4	BOLT, Carriage, 5/16-18 x 3/4

*Reference No. 21 includes Ref. No's. 19 & 20.

**Reference No. 26 includes Ref. No's. 19 & 25.

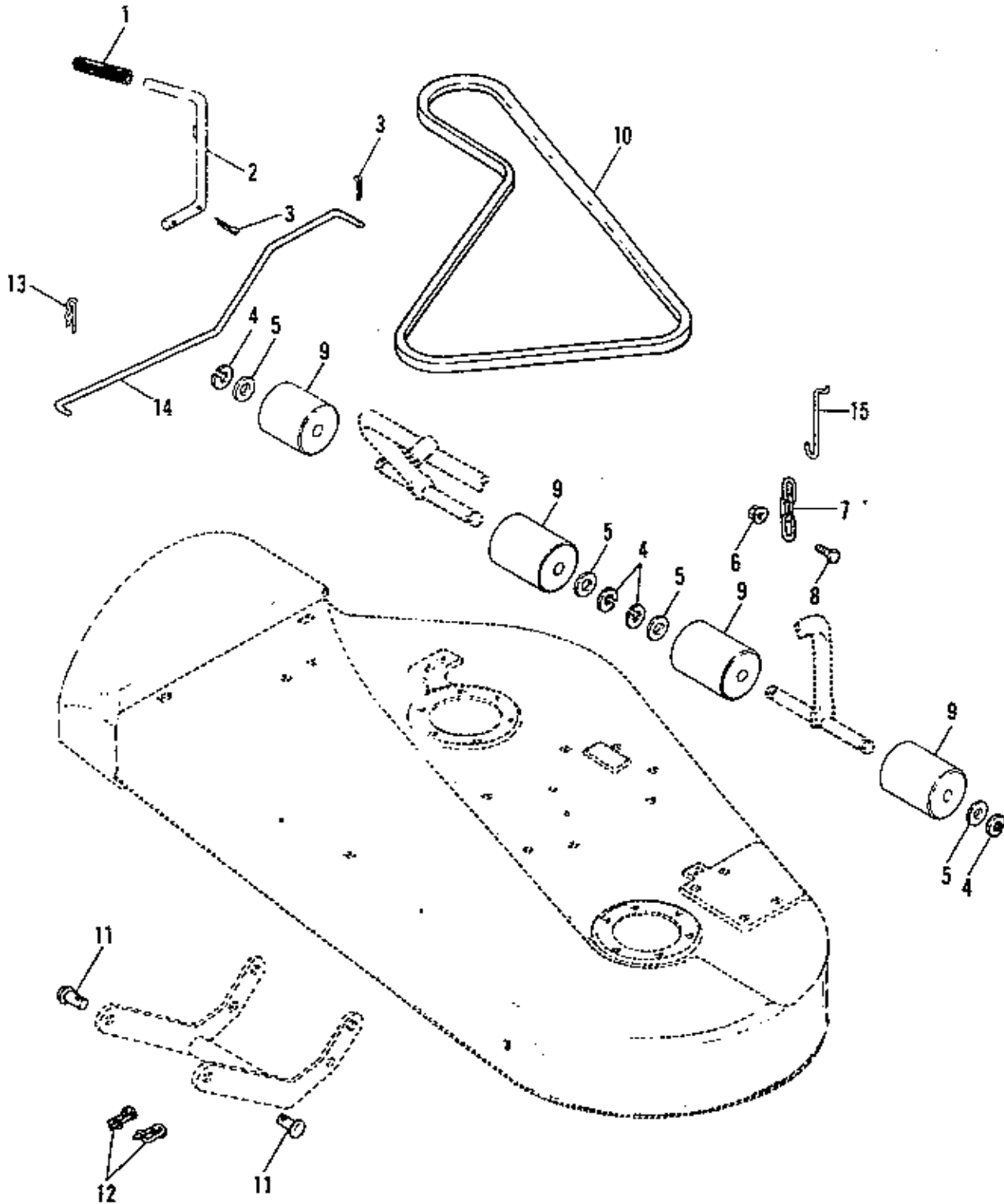


Ref. No.	Part No.	Qty.	Description
1	108431	1	ROLLER
2	108178	1	ROLLER
3	108419	2	BUSHING
4	916950	2	NUT, Hex, Full, 3/8-16
5	916965	2	LOCKWASHER, 3/8
6	917356	7	LOCKWASHER, 5/16
7	917372	7	NUT, Hex, Full, 5/16-18
8	1663336	2	SHAFT & BEARING ASSY.
9	920562	6	BOLT, Carriage, 5/16-18 x 3/4
10	922110	2	BOLT, Carriage, 3/8-16 x 3/4
11	1602155	2	E-RING
12	1603205	1	SHAFT, Center Roller
13	1655096	1	BRACKET, Roller, R.H.
14	1655100	1	BRACKET, Roller, L.H.
15	1655422	1	DEFLECTOR, Mower
16	1664241	3	WASHER, Shim
17	1656916	2	WASHER, Cup
18	917377	1	WASHER, 1/4
19	926110	2	CAPSCREW, Hex Hd., 7/16-14 x 2-3/4
20	1663958	1	HOUSING, 36"
21	1654551	1	BAFFLE
22	1654910	1	SCREW, Baffle Hook
23	1664847	11	SCREW, Hex, Washer Hd., Taptite, 5/16-18 x 3/4
24	927477	1	SCREW, Hex, Washer Hd., Taptite, 5/16-18 x 1
25	1655729	2	HOUSING, Top
26	1655728	2	HOUSING, Bottom
27	1655751	2	SHAFT, Arbor
28	108202	4	BEARING
29	1655839	2	PULLEY ASSY.
30	933263	2	WASHER, Special
31	918199	2	LOCKWASHER, 7/16
32	1657660	1	STOP, Belt
33	923358	1	LOCKNUT, Hex, 1/4-20
34	917642	1	WASHER, 5/16
35	920676	2	CAPSCREW, Hex Hd., 7/16-14 x 1
36	1657969	2	SHIELD, Bearing, Upper
37	1657588	2	SHIELD, Grass
38	1656927	2	WASHER, Spline
39	1655777	2	ADAPTOR, Blade
40	1657589	2	BLADE, 36"
41	1657528	2	RING, Self Locking



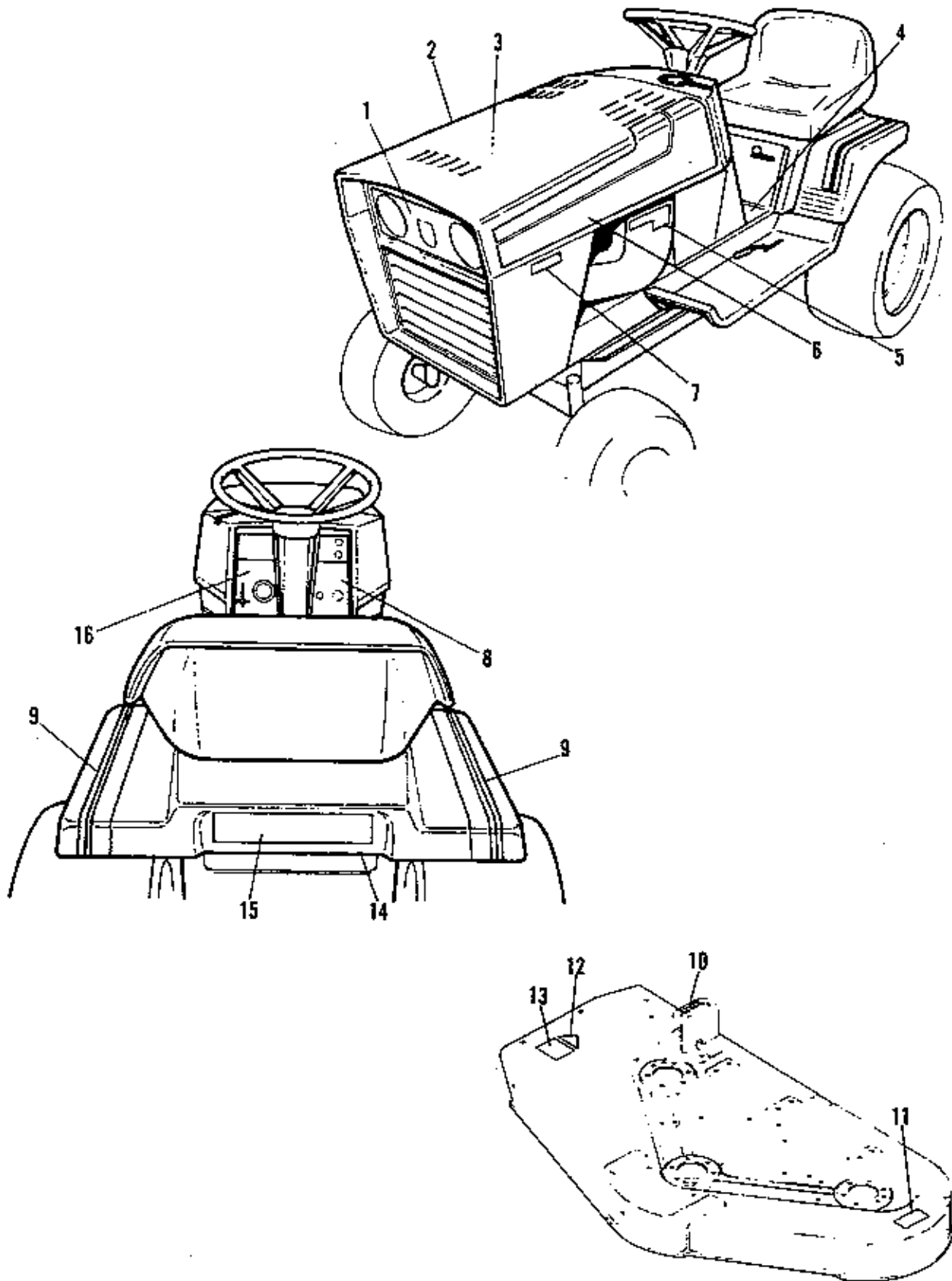
Ref. No.	Part No.	Qty.	Description
1	1654655	1	STRAP
2	917356	15	LOCKWASHER, 5/16
3	917372	15	NUT, Hex, Full, 5/16-18
4	1663223	1	QUADRANT ASSY.
5	1663222	1	SPRING, Flat
	1602200	1	SPRING, Flat
6	1663221	1	QUADRANT
7	910542	3	RIVET, Tubular, 3/16 x 5/16
8	1665848	1	SUPPORT ASSY., R.H. Wheel
9	923087	2	PIN, Clevis
10	918447	7	PIN, Cotter, 3/32 x 3/4
11	108157	2	CLEVIS, Adjusting
12	916950	4	NUT, Hex, Full, 3/8-16
13	1653768	1	CLAMP, Wheel Support
14	1655811	1	ROD, Bolt
15	108512	1	PIVOT
16	1667093	1	SUPPORT ASSY., L.H. Wheel
17	920562	14	BOLT, Carriage, 5/16-18 x 3/4
18	1665849	1	SUPPORT ASSY., Mower
19	1654411	2	ROD, Height Adjusting
20	930645	2	LOCKNUT, Flange, 3/8-16
21	118335	1	SPACER
22	1653716	1	ARM ASSY., Rocker
23	921210	2	CAPSCREW, Hex, 3/8-16 x 1
24	153073	1	SPACER
25	171320	1	ROD, Clutch, PTO
26	163103	1	SPRING
27	928804	1	SETSCREW, Sq. Hd., 1/4-20 x 3/8
28	8191022	1	COLLAR, Set
29	108662	1	GUIDE ASSY., Rod
30	1657242	1	SPACER
31	924356	1	WASHER
32	917378	2	WASHER, Plain, 3/8
33	928957	1	CAPSCREW, Hex, 3/8-16 x 2-3/4
34	1656991	1	ARM, Pivot
35	921333	1	CAPSCREW, Hex, 5/16-18 x 1
36	917377	1	WASHER, Plain, 1/4
37	1656998	1	LEVER, Brake
38	921969	1	CAPSCREW, Hex, 3/8-16 x 1-1/2
39	1657241	1	LEVER ASSY., Clutch
40	165034	1	SPACER
41	922755	2	WASHER, Plain, 13/32
42	1685150	1	PULLEY ASSY., Kit
43	106717	1	GUIDE, Belt
44	916965	2	LOCKWASHER, 3/8
45	923362	1	LOCKNUT, Hex, 5/16-18
46	159159	1	SPRING
47	1657458	1	ROD ASSY., Brake
48	1655507	1	SUPPORT, Brake
49	927428	2	SCREW, Hex, Washer Hd., 1/4-20 x 3/8

*Order Part No. 1663222 to fit quadrant with five rivet holes, order 1602200 to fit quadrant with two rivet holes.



NOTE Use Standard Hardware
torque spec chart unless
otherwise noted

Ref. No.	Part No.	Qty.	Description
1	176933	1	GRIP, Handle
2	1656412	1	LEVER, Control
3	918448	3	PIN, Cotter, 3/32 x 1
4	153124	4	RING, Retaining
5	919387	4	WASHER, Plain, 5/8
6	929001	1	LOCKNUT, Hex, Flange, 5/16-18
7	1656835	1	CHAIN, Lift
8	921333	1	CAPSCREW, Hex Hd., 5/16-18 x 1
9	1655098	4	ROLLER
10	108505	1	V-BELT, Mower Drive
11	156306	2	PIN
12	176012	2	PIN, Safety
13	106787	1	CLIP, Spring
14	1667884	1	ROD, PTO
15	1665445	1	ROD, Lift






Decal Group

Simplicity

2/80

Ref. No.	Part No.	Qty.	Description
1	1666028	1	DECAL, Grille
2	1666026	1	DECAL, Hood Stripe, R.H.
3	1666676	1	DECAL, Drive Belts (6116 & 6118)
	1666679	1	DECAL, Drive Belts (6108 & 6111 Only)
4	1667227	1	DECAL, Shift Pattern
5	1666055	2	DECAL, Twin 16 (6116 only)
	1667676	2	DECAL, Twin 18 (6118 only)
6	1666027	1	DECAL, Hood Stripe, L.H.
7	1667674	2	DECAL, 6118
	1666025	2	DECAL, 6116
	1666126	2	DECAL, 6111
	1666125	2	DECAL, 6108
8	1666906	1	DECAL, Dash, R.H. (6116 & 6118)
	1666929	1	DECAL, Dash, R.H. (6108 & 6111)
9	1657131	2	DECAL, Seat Deck
10	1656855	1	DECAL, Mower Height
11	1656856	1	DECAL, Danger
12		1	DECAL, OPEI (Not Sold)
13	1656857	1	DECAL, Warning
14	1657555	1	DECAL, Battery
15	153166	1	DECAL, Simplicity
16	1666907	1	DECAL, Dash, L.H. (6116 & 6118)
	1666927	1	DECAL, Dash, L.H. (6108 & 6111)

**TORQUE SPECIFICATIONS FOR
STANDARD MACHINE HARDWARE
TOLERANCE $\pm 20\%$**




SIZE	SAE GRADE #2		SAE GRADE #5		SAE GRADE #8	
						
8-32	19	In. Lbs.	30	In. Lbs.	41	In. Lbs.
8-36	20	"	31	"	43	"
10-24	27	"	43	"	60	"
10-32	31	"	49	"	68	"
1/4-20	66	"	8	Ft. Lbs	12	Ft. Lbs.
1/4-28	76	"	10	"	14	"
5/16-18	11	Ft. Lbs	17	"	25	"
5/16-24	12	"	19	"	25	"
3/8-16	20	"	30	"	45	"
3/8-24	23	"	35	"	50	"
7/16-14	30	"	50	"	70	"
7/16-20	35	"	55	"	80	"
1/2-13	50	"	75	"	110	"
1/2-20	55	"	90	"	120	"
9/16-12	65	"	110	"	150	"
9/16-18	75	"	120	"	170	"
5/8-11	90	"	150	"	220	"
5/8-18	100	"	180	"	240	"
3/4-10	160	"	260	"	386	"
3/4-16	180	"	300	"	420	"
7/8-9	140	"	400	"	600	"
7/8-14	155	"	440	"	660	"
1-8	220	"	580	"	900	"
1-12	240	"	640	"	1,000	"

NOTE:

1. These torque values are to be used for all *Simplicity* hardware excluding: locknuts, self-tapping screws, thread forming screws, sheet metal screws and socket head selfscrews.
2. Recommended seating torque values for locknuts:
 - a. For prevailing torque locknuts - use 85% of grade 5 torques.
 - b. For flange whizlock nuts (and screws) - use 135% of grade 5 torques.
3. Unless otherwise noted on assembly drawings all torque values must meet this specification.

BOLT HEAD MARKING

S.A.E. GRADE:

- 2 
- 5 
- 8 

Simplicity Manufacturing, Inc.
500 N. Spring Street
P.O. Box 997
Port Washington, WI 53074-0997