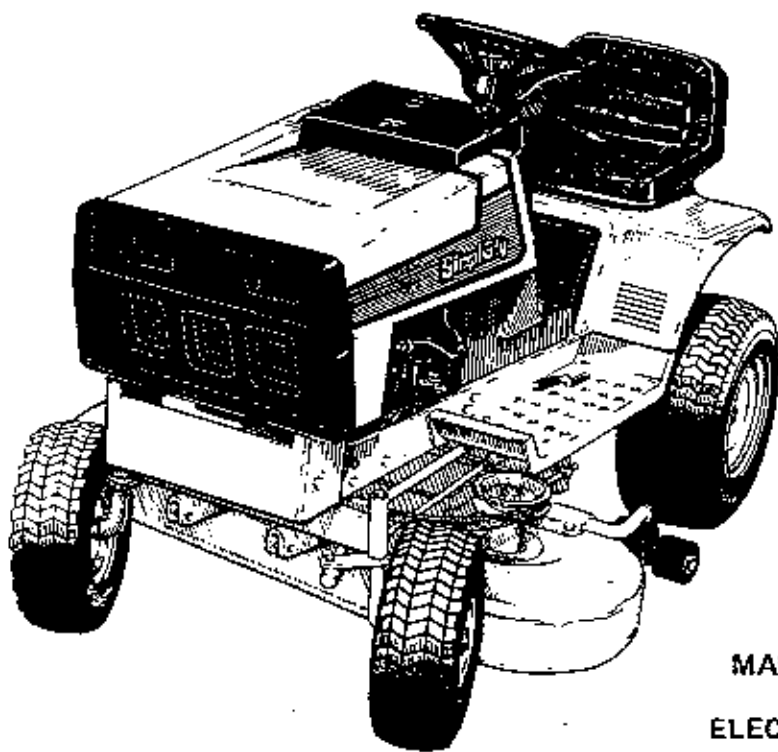


Parts Manual Models 4108 & 4111



4108 8 H.P. TRACTOR
MANUAL START MFG. NO. 1690259
4108 8 H.P. TRACTOR
ELECTRIC START MFG. NO. 1690261
4011 11 H.P. TRACTOR
ELECTRIC START MFG. NO. 1690343
36" ROTARY MOWER
MFG. NO. 1690274

TP - 491-2
PRINTED IN U.S.A.
7810

Simplicity[®]

Attention Dealers:

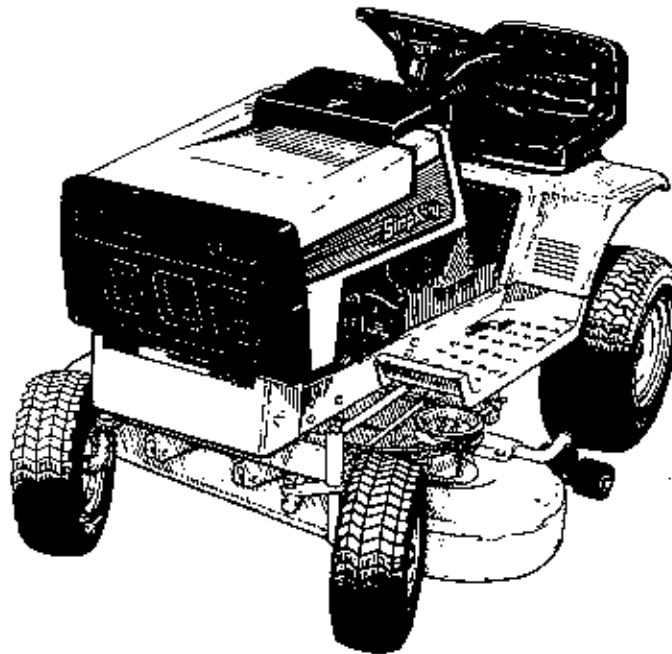
For quick, accurate reference when making warranty claims, group numbers are given with each parts section. Also note that serial numbers of units are listed to locate any difference in parts which may occur in later models. Be aware of these unit serial numbers when ordering parts.

Standard torques appear in a chart at the end of the manual, while important individual torques are given on specific parts drawings. These provide easy reference notes for repair and troubleshooting.

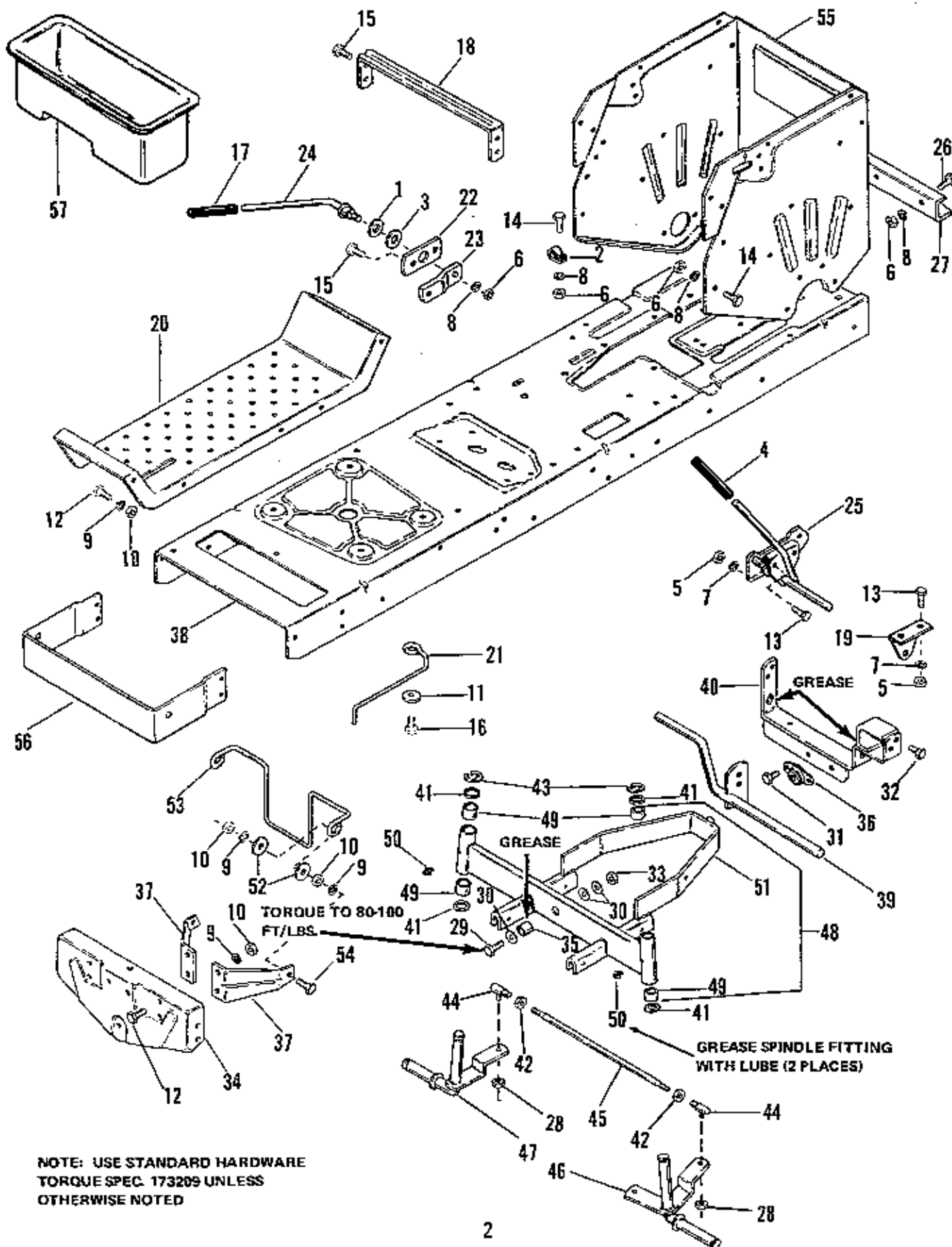
CRITICAL and MAJOR notations point out important facts or instructions which relate to safety or reliability and machine quality. The CRITICAL notation **C** pinpoints characteristics which, if not properly followed, can create a safety hazard. The MAJOR notation **M** marks characteristics which, if not properly followed, may result in operating failure, shortened product life, or greatly reduced quality of the unit.

Simplicity
Technical Publications

NOTE: SPECIFICATIONS MAY CHANGE WITHOUT NOTICE.

Models 4108 & 4111**Table of Contents**

MAIN FRAME & FRONT AXLE GROUP (4108 MS, 4108 ES & 4111)	2
FRONT TIRES & STEERING GROUP (4108 MS, 4108 ES & 4111)	4
ENGINE & DRIVE GROUP (4108 MS, 4108 ES & 4111)	6
BRAKE & CLUTCH GROUP (4108 MS, 4108 ES & 4111)	8
ELECTRICAL GROUP (4108 MS)	10
ELECTRICAL GROUP (4108 ES, & 4111)	12
HOOD GRILLE & DASH GROUP (4108 MS & 4108 ES Before Serial #10872).....	14
HOOD GRILLE & DASH GROUP (4111 & 4108 ES After & Serial #10871).....	16
SEAT GROUP (4108 MS, 4108 ES & 4111)	18
36" MOWER, DECK & ARBOR GROUP	20
36" CLUTCH & ROLLER SUPPORT GROUP	22
36" ROLLERS & MISC. GROUP	24
PEERLESS TRANSAXLE GROUP	26
STANDARD TORQUE SPECIFICATIONS	Inside Back Cover

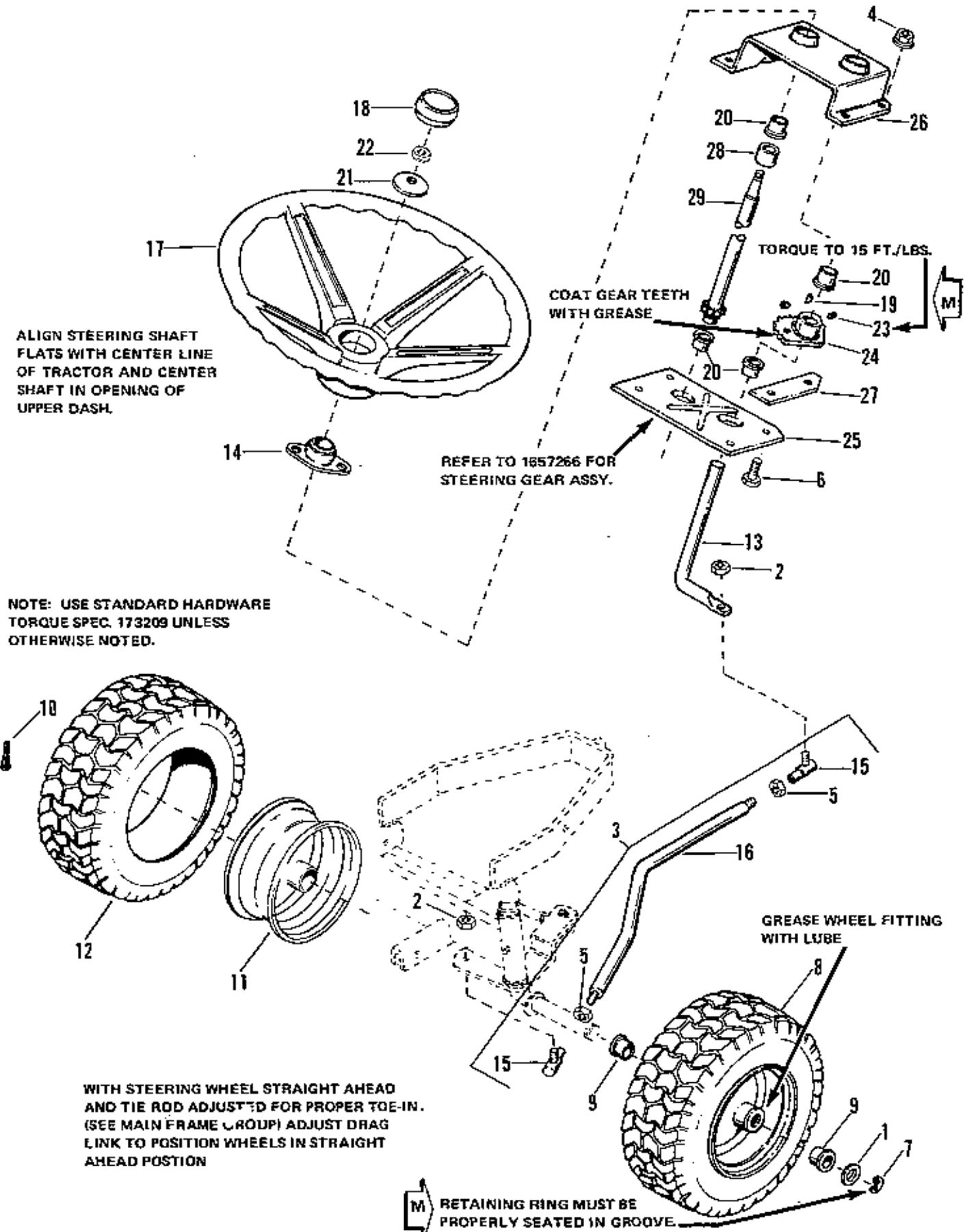


Main Frame & Front Axle Group (4108MS, 4108ES & 4111)

Simplicity

5/78

Ref. No.	Part No.	Qty.	Serial No.	Description
1	101025	1	(00000)-()	WASHER, Steel
2	122186	1	(00000)-()	CLAMP
3	156116	1	(00000)-()	WASHER, Nylon
4	176934	1	(00000)-()	HANDLE, Grip
5	916622	4	(00000)-()	NUT, Hex, 1/4-20
6	916950	10	(00000)-()	NUT, Hex, 3/8-16
7	916964	4	(00000)-()	LOCKWASHER, Spring, 1/4
8	916965	10	(00000)-()	LOCKWASHER, Spring, 3/8
9	917356	21	(00000)-()	LOCKWASHER, Spring, 5/16
10	917372	21	(00000)-()	NUT, Hex, 5/16-18
11	917642	1	(00000)-()	WASHER, Plain, 5/16
12	921332	17	(00000)-()	CAPSCREW, Hex Hd., 5/16-18 x 3/4
13	921959	4	(00000)-()	CAPSCREW, Hex Hd., 1/4-20 x 5/8
14	921965	6	(00000)-()	CAPSCREW, Hex Hd., 3/8-16 x 3/4
15	924858	6	(00000)-()	SCREW, Tapping, 5/16-18 x 1/2
16	925009	1	(00000)-()	SCREW, Tapping, 5/16-18 x 7/8
17	1651820	1	(00000)-()	GRIP
18	1654707	1	(00000)-()	BRACE, Seat
19	1654783	1	(00000)-()	SUPPORT, Clutch
20	1656225	2	(00000)-()	FOOTREST
21	1656658	1	(00000)-()	STOP, Belt
22	1656754	1	(00000)-()	BAR, Support
23	1656755	1	(00000)-()	ARM, Lift
24	1655815	1	(00000)-()	HANDLE, Lift
25	1663558	1	(00000)-()	LEVER ASSY, Clutch
26	921210	3	(00000)-()	CAPSCREW, Hex Hd., 3/8-16 x 1
27	1655591	1	(00000)-()	BAR, Draw
28	930628	2	(00000)-()	LOCKNUT, 3/8-24
29	923154	1	(00000)-()	CAPSCREW, Hex Hd., 1/2-13 x 1-1/2 Gr. 8
30	926192	3	(00000)-()	WASHER, Plain, 9/16
31	928730	2	(00000)-()	SCREW, Washer Hd., 3/8-16 x 1/2
32	930601	4	(00000)-()	SCREW, Hex Washer Hd., 5/16-18 x 5/8
33	930648	1	(00000)-()	LOCKNUT, 1/2-13
34	1652600	1	(00000)-()	FRONT AXLE SUPPORT
35	1655034	1	(00000)-()	SPACER
36	1655064	1	(00000)-()	BEARING ASSY, Side Range
37	1655076	2	(00000)-()	BRACE, front Axle
38	1655808	1	(00000)-()	FRAME
39	1656912	1	(00000)-()	LEVER ASSY, Brake
40	1657079	1	(00000)-()	SUPPORT ASSY, Axle
41	108181	4	(00000)-()	WASHER
42	918403	2	(00000)-()	NUT, Hex Jam, 3/8-24
43	927794	2	(00000)-()	RING, Retaining
44	1610295	2	(00000)-()	BALL JOINT ASSY
45	1652613	1	(00000)-()	TIE ROD
46	1652663	1	(00000)-()	SPINDLE ASSY, L.H.
47	1652664	1	(00000)-()	SPINDLE ASSY, R.H.
48	1655268	1	(00000)-()	AXLE ASSY, Front (Includes Ref. Nos. 49 & 51)
49	154289	4	(00000)-()	BUSHING
50	914687	2	(00000)-()	FITTING, Lube
51	NOT SERVICED		(00000)-()	FRONT AXLE, w/o Bushings
52	917377	4	(00000)-()	WASHER, Plain, 1/4
53	1656396	1	(00000)-()	STOP, Belt
54	933689	2	(00000)-()	CAPSCREW, Hex Hd., 5/16-18 x 1-1/2
55	1655812	1	(00000)-()	SUPPORT, Axle (Rear Frame)
56	1656791	1	(10872)-()	SUPPORT (Model 4108 ES)
	1656791	1	(00000)-()	SUPPORT (Model 4111)
57	1655990	1	(00000)-()	TOOL TRAY (4111 Only)



ALIGN STEERING SHAFT FLATS WITH CENTER LINE OF TRACTOR AND CENTER SHAFT IN OPENING OF UPPER DASH.

NOTE: USE STANDARD HARDWARE TORQUE SPEC. 173209 UNLESS OTHERWISE NOTED.

REFER TO 1857266 FOR STEERING GEAR ASSY.

COAT GEAR TEETH WITH GREASE
TORQUE TO 15 FT./LBS.

GREASE WHEEL FITTING WITH LUBE

WITH STEERING WHEEL STRAIGHT AHEAD AND TIE ROD ADJUSTED FOR PROPER TOE-IN. (SEE MAIN FRAME GROUP) ADJUST DRAG LINK TO POSITION WHEELS IN STRAIGHT AHEAD POSITION

RETAINING RING MUST BE PROPERLY SEATED IN GROOVE

Ref. No.	Part No.	Qty.	Serial No.	Description
1	154071	2	(00000)-()	WASHER
2	930628	2	(00000)-()	NUT, Lock, Center, 3/8-24
3	1856799	1	(00000)-()	DRAG LINK ASSY, (Includes Ref. No. 5, 15 & 16)
4	927557	4	(00000)-()	NUT, Flange, Whiz Lock, 5/16-18
5	916802	2	(00000)-()	NUT, Hex Jam, 3/8-24
6	921333	4	(00000)-()	CAPSCREW, Hex Hd., 5/16-18 x 1
7	927794	2	(00000)-()	RING, Retaining
8	1651787	2	(00000)-()	WHEEL & TIRE ASSY, 13 x 5.00-6
9	156316	4	(00000)-()	BEARING, Relief
10	171270	2	(00000)-()	VALVE, Stem & Cap
11	1651774	2	(00000)-()	WHEEL & BUSHING ASSY, 15-6
*12	1651786	2	(00000)-()	TIRE, 15 x 6.00-6, Carlisle
13	1657248	1	(00000)-()	ROD, Steering
14	1653670	1	(00000)-()	BEARING
15	1610295	2	(00000)-()	BALL JOINT ASSY
16	1696750	1	(00000)-()	DRAG LINK ASSY
17	1657016	1	(00000)-()	WHEEL, Steering
18	1657017	1	(00000)-()	CAP, Steering Wheel
19	157332	1	(00000)-()	KEY
20	176440	4	(00000)-()	BUSHING
21	177649	1	(00000)-()	WASHER, Compression
22	923362	1	(00000)-()	LOCKNUT, Hex Full, 5/16-18
23	930540	2	(00000)-()	SCREW, Set, Sq.Hd. Cup Pt., 5/16-18 x 5/8
24	1652741	1	(00000)-()	GEAR, Steering
25	1652743	1	(00000)-()	BASE PLATE, Steering
26	1652745	1	(00000)-()	TOP PLATE, Steering
27	1654649	1	(00000)-()	SPACER, Stop
28	1654907	1	(00000)-()	SPACER
29	1657003	1	(00000)-()	SHAFT ASSY, Steering

*NOTE: TUBE AVAILABLE FOR FRONT TIRES
ORDER PART NO 1664090

COAT THREADS WITH SEALANT

APPLY GREASE TO
CRANK SHAFT
LITHIUM NO. 2.

TORQUE TO
120 IN./LBS.

COAT WITH NO. 2
MOLY-BARIUM
GREASE 176114
BEFORE ASSY.

M TORQUE TO
22-28 FT./LBS.

1/8 TO 1/4 INCH BELT
CLEARANCE WHEN CLUTCH
IS ENGAGED.

TORQUE TO
50-60 FT. /LBS.

TORQUE TO 16-20 FT. LBS.

TORQUE TO
70-80 IN./LBS.

REMOVE BOLTS ATTACH
SUPPORT 1853827 AND
REPLACE BOLTS. TORQUE
TO 156-180 IN./LBS.

M RETAINING RING MUST BE
PROPERLY SEATED IN GROOVE

NOTE: USE STANDARD HARDWARE
TORQUE SPEC. NO. 173209 UNLESS
OTHERWISE NOTED.

BELT GUARD CLEARANCE
SEE DIMENSIONS ON BELT

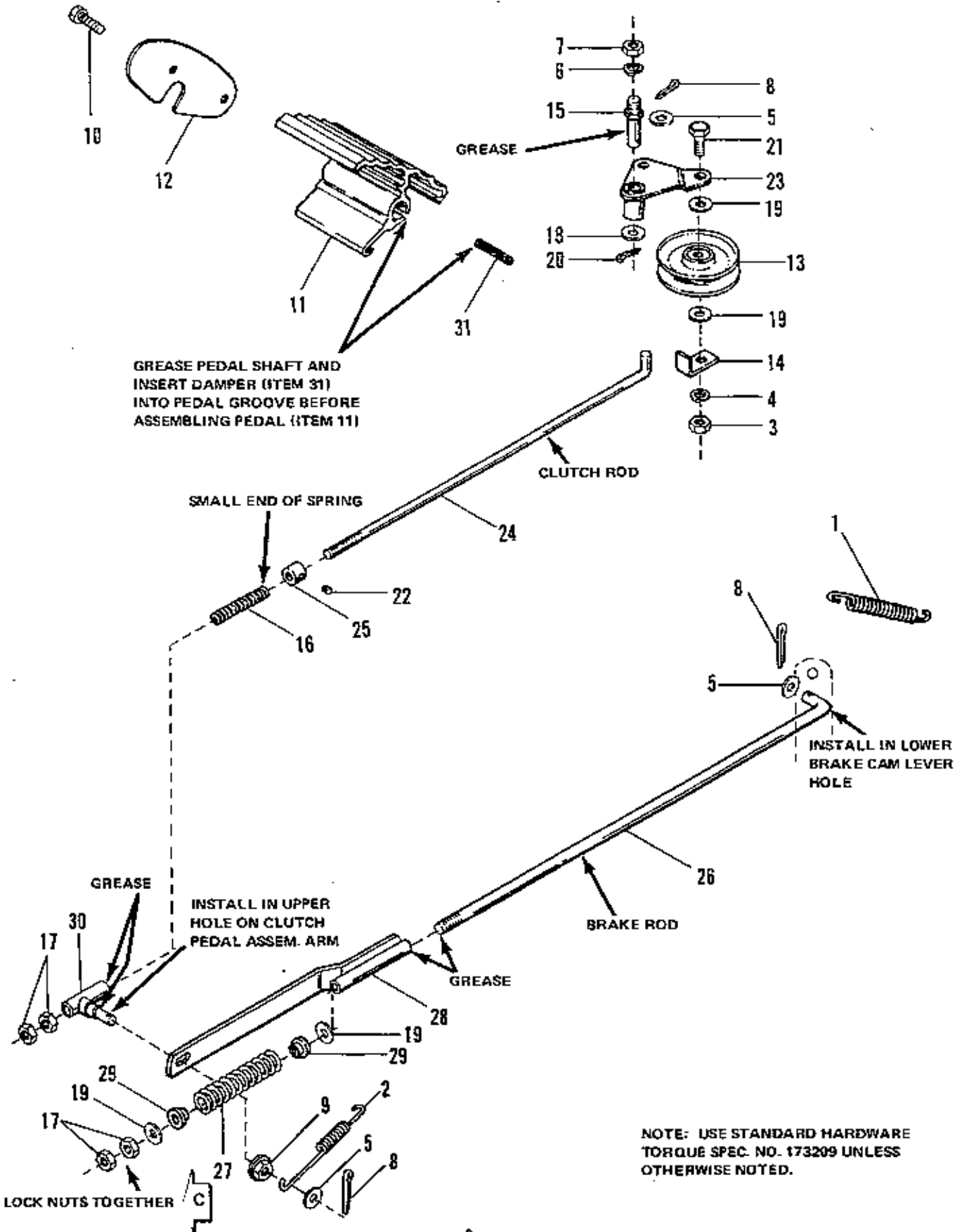
TORQUE TO
156-180 IN./LBS.

Ref. No.	Part No.	Qty.	Serial No.	Description
1	154071	3	(00000)-()	WASHER
2	172844	2	(00000)-()	STOP, Belt
3	172845	1	(00000)-()	STOP, Belt
4	172908	6	(00000)-()	WASHER
5	918522	2	(00000)-()	NUT, Hex, 1/4-20
6	916950	5	(00000)-()	NUT, Hex, 3/8-16
7	916964	2	(00000)-()	LOCKWASHER, Spring, 1/4
8	916965	5	(00000)-()	LOCKWASHER, Spring, 3/8
** 9	917358	10	(00000)-()	LOCKWASHER, Spring, 5/16
**10	917372	4	(00000)-()	NUT, Hex, 5/16-18
11	917378	3	(00000)-()	WASHER, Plain, 3/8
12	917642	2	(00000)-()	WASHER, Plain, 5/16
13	918199	1	(00000)-()	LOCKWASHER, Spring, 7/16
14	920415	1	(00000)-()	CAPSCREW, Hex Hd., 3/8-16 x 1-1/4 Gr. 5
15	921333	4	(00000)-()	CAPSCREW, Hex Hd., 5/16-18 x 1 Gr. 5
16	921965	4	(00000)-()	CAPSCREW, Hex Hd., 3/8-16 x 3/4 Gr. 5
17	927794	2	(00000)-()	RING, Retaining, Size No. 75, 3/4
18	928038	1	(00000)-()	CAPSCREW, Hex Hd., 7/16-20 x 1-1/4, Gr. 8
19	930603	4	(00000)-()	SCREW, Taptite, Washer Hd., 3/8-16 x 1-3/4
20	1653979	1	(00000)-()	SUPPORT, Strap
21	1654705	2	(00000)-()	WHEEL & TIRE ASSY, 18 x 6-1/2-8 (4108 Manual Start Only)
22	171270	1	(00000)-()	VALVE STEM & CAP (Used on 4108 ES & MS)
23	1654704	1	(00000)-()	WHEEL ASSY (4108 Manual Start Only)
*** 24	1654706	1	(00000)-()	TIRE, 18 x 6-1/2-8 (4108 Manual Start Only)
25	1653180	1	(00000)-()	SPACER
26	1655069	1	(00000)-()	"V" BELT, Drive
27	1655084	1	(00000)-()	BOLT, Axle
28	1655913	2	(00000)-()	WHEEL & TIRE ASSY, 18 x 8-1/2-8 (4108 Electric Start Only)
*** 29	1652502	1	(00000)-()	TIRE, 18 x 8-1/2-8 (4108 Electric Start Only) (Goodyear)
30	1655911	1	(00000)-()	WHEEL (4108 Electric Start & 4111 Only)
*** 31	1655916	1	(00000)-()	TIRE, 18 x 8-1/2-8 (4108 Electric Start Only) (Carlisle)
32		1	(00000)-()	ENGINE ASSY, 8 H.P. (Electric Start Synchro-Balanced)
33		1	(00000)-()	ENGINE, 8 H.P., (Manual Start Synchro-Balanced)
34	901752	1	(00000)-()	PIPE, Cap, 3/8
35	1655405	1	(00000)-()	OIL DRAIN PIPE
36	1656099	1	(00000)-()	KNOB
37	1657118	1	(00000)-()	PULLEY ASSY, Engine
38	1657272	1	(00000)-()	CONTROL ASSY
39	918312	1	(00000)-()	KEY, Woodruff, No. 61, 3/16 x 5/8
40	928721	1	(00000)-()	SCREW, Set, 5/16-18 x 1/2
41	1653827	1	(00000)-()	SUPPORT, L.H.
* 42		1	(00000)-()	TRANSMISSION, Peerless
43	1656749	1	(00000)-()	PULLEY
44	8021050	1	(00000)-()	BALL, Knob
45	8221042	2	(00000)-()	KEY, 3/16 x 3/16 x 1-1/2
* 46		1	(00000)-()	LEVER, Shift
* 47		1	(00000)-()	BLOCK, Riser
* 48		2	(00000)-()	GASKET
* 49		3	(00000)-()	SCREW, Washer Hd., 1/4-20 x 1-3/4
50	1658032	1	(00000)-()	OIL DRAIN PIPE & CAP SUB-ASSY
51	930591	2	(00000)-()	SCREW, Whiz-Lock, 5/16-18 x 3/4 (4111 Only)
52	931893	1	(00000)-()	CLAMP ASSY, Exhaust (4111 Only)
53	1650670	1	(00000)-()	GASKET, Muffler (4111 Only)
54	1655848	1	(00000)-()	MUFFLER (4111 Only)
55	1655860	1	(00000)-()	PIPE, Exhaust (4111 Only)
56	1657905	2	(00000)-()	WHEEL & TIRE ASSY, 18 x 9-1/2-8 (4111 Only)
57	156305	2	(00000)-()	VALVE (4111 Only)
*** 58	156312	2	(00000)-()	TIRE 18 x 9-1/2-8 (4111 Only)
59		1	(00000)-()	ENGINE, 11 H.P. Synchro Bal.
60	924368	2	(00000)-()	WASHER, Special

*NOTE: See Authorized Tecumseh Dealer for Parts and Service
Peerless Parts are not Available thru Simplicity

**Ref. No. 9 Qty. 8 used on 4108, Qty. 10 used on 4111
Ref. No. 10 Qty. 2 used on 4108, Qty. 4 used on 4111

***NOTE: Tube Available for Rear Tires Order Part No 156380



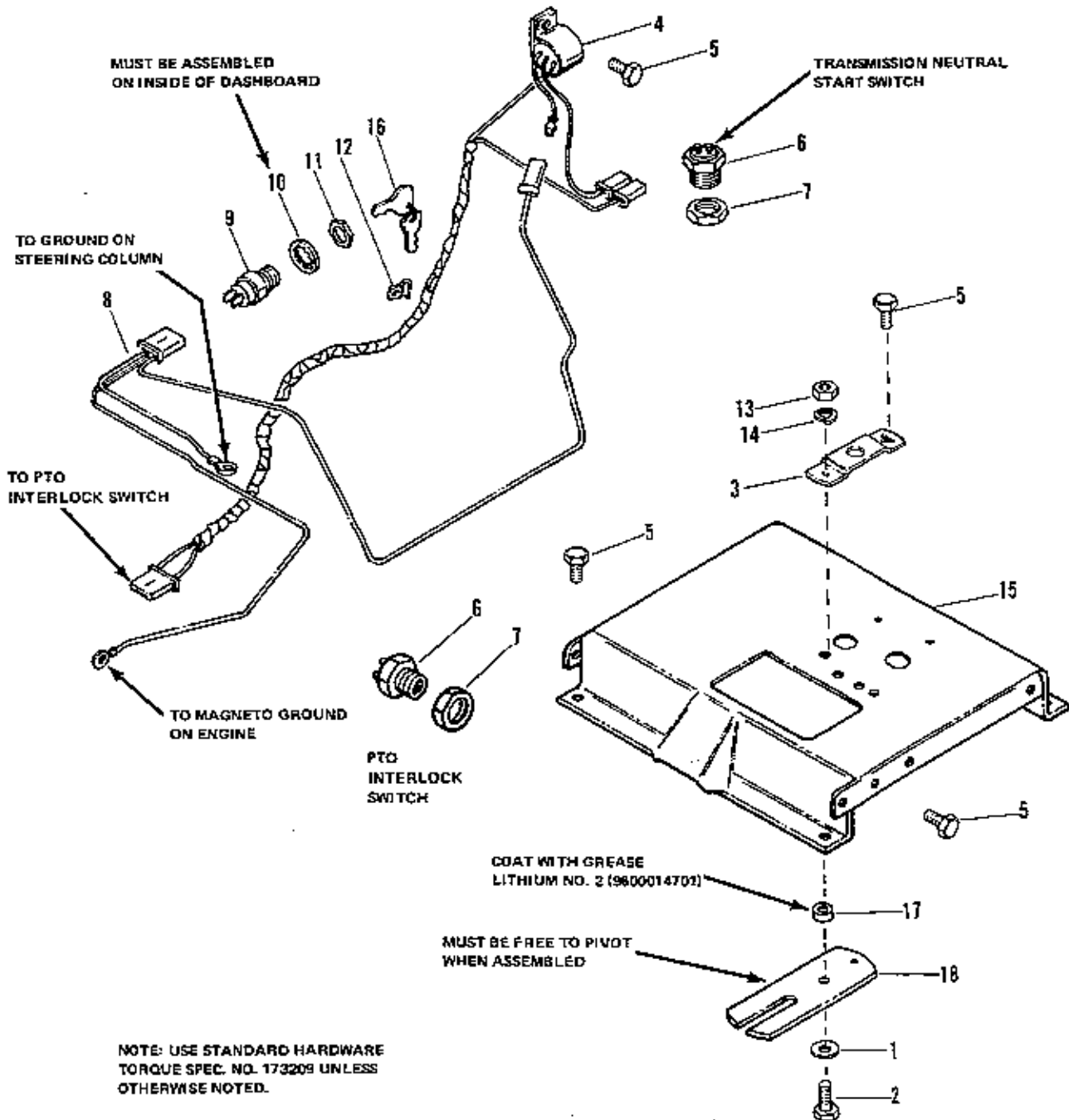
Ref. No.	Part No.	Qty.	Serial No.	Description
1	159106	1	{00000}-(SPRING, Tension
2	165068	1	{00000}-(SPRING, Return
3	916950	1	{00000}-(NUT, Hex, 3/8-16
4	916985	1	{00000}-(LOCKWASHER, Spring, 3/8
5	917377	3	{00000}-(WASHER, Plain, 1/4
6	918199	1	{00000}-(LOCKWASHER, Spring, 7/16
7	918213	1	{00000}-(NUT, Hex, 7/16-14
8	918447	3	{00000}-(PIN, Cotter, 3/32 x 3/4
9	929001	1	{00000}-(LOCKNUT, Flange, 5/16-18
10	927429	2	{00000}-(SCREW, Hex Washer, 1/2-20 x 5/8
11	1656852	1	{00000}-(PEDAL, Foot
12	1656854	1	{00000}-(PLATE, End
13	106716	1	{00000}-(PULLEY, Idler
14	106717	1	{00000}-(GUIDE, Belt
15	106928	1	{00000}-(STUD
16	157041	1	{00000}-(SPRING, Compression
17	917372	4	{00000}-(NUT, Hex, 5/16-18
18	918267	1	{00000}-(WASHER, Plain, 3/8
19	917642	2	{00000}-(WASHER, Plain, 5/16
20	918451	1	{00000}-(PIN, Cotter, 1/8 x 3/4
21	921969	1	{00000}-(CAPSCREW, Hex Hd., 3/8-16 x 1-1/2
22	928804	1	{00000}-(SCREW, Set, 1/4-20 x 3/8, Gr. 8
23	1653076	1	{00000}-(IDLER ASSY
24	1655055	1	{00000}-(ROD, Clutch
25	8191022	1	{00000}-(COLLAR, Set
26	1656911	1	{00000}-(ROD, Brake
27	1656986	1	{00000}-(SPRING
28	1656989	1	{00000}-(GUIDE ASSY, Rod
29	1657608	2	{00000}-(SUPPORT, Spring
30	1657222	1	{00000}-(GUIDE ASSY, Rod
31	1657322	1	{00000}-(DAMPER

BRAKE LINKAGE ADJUSTMENT

1. Before adjusting brake linkage, brake cam lever must be properly adjusted on disc brake — refer to group assembly drawing 981247, 981248 & 981479.
2. With brake clutch pedal engaged (up and to the rear against stop), disc brake cam lever to the rear against stop and rod guide (Item No. 28) as far forward as slot will allow, adjust brake rod nut (Item No. 17) until spring (Item No. 27) is snug but not compressed. Lock brake rod nuts (Item No. 16) in position.

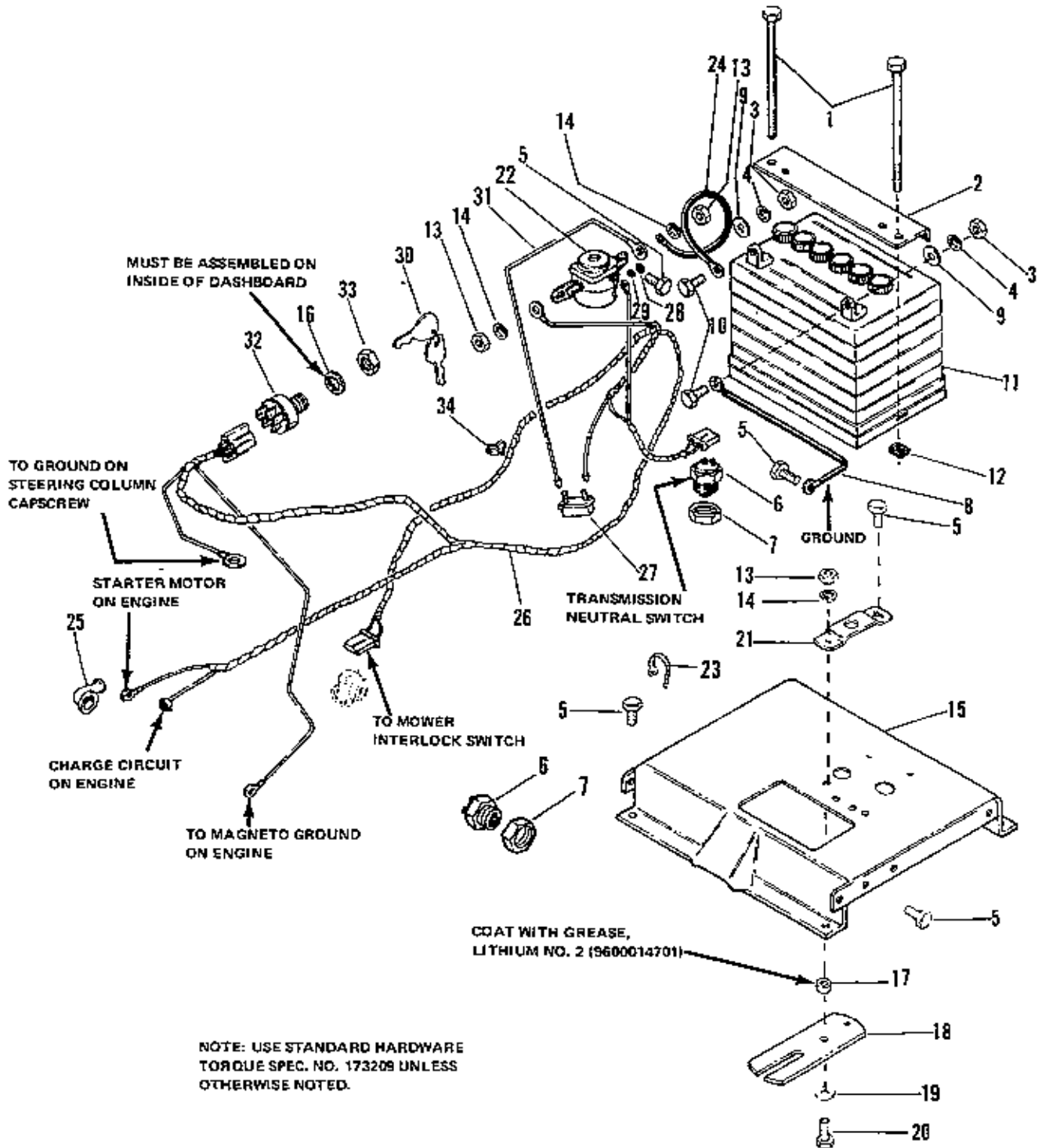
CLUTCH LINKAGE ADJUSTMENT

1. With clutch pedal engaged (Pedal up against stop), apply 15-20 lbs. to force pulley idler (Item No. 13) to firmly seat transmission drive belt. Adjust clutch rod nuts (Item No. 17) so clearance between nuts and end of rod guide is 9/16 - 5/8". Lock clutch rod nut (Item No. 17) in position.
2. Fully depress clutch pedal and lock parking brake. Hold clutch rod (Item No. 24) so nuts (Item No. 17) are against rod guide (Item No. 30) and position and lock set collar (Item No. 25) so spring (Item No. 17) is compressed 7/16-9/16".



Ref. No.	Part No.	Qty.	Serial No.	Description
1	157643	1	(00000)-()	WASHER
2	921333	1	(00000)-()	CAPSCREW, Hex, 5/16-18 x 1
3	1655600	1	(00000)-()	BRACKET, Switch
4	1655059	1	(00000)-()	IGNITION, Interlock
5	927428	10	(00000)-()	SCREW, Taptite, Washer Hd., 1/4-20 x 3/8
6	1654634	2	(00000)-()	SWITCH, Interlock
7	930647	2	(00000)-()	NUT, Lock, 9/16-18
8	1655106	1	(00000)-()	WIRING HARNESS
*9	1655057	1	(00000)-()	SWITCH, Manual Start
10	918906	1	(00000)-()	LOCKWASHER, Internal Tooth, 5/8
11	122234	1	(00000)-()	NUT, Hex, 5/8-32 (Ignition)
12	165073	1	(00000)-()	CLIP, Speed
13	917372	1	(00000)-()	NUT, Hex, 5/16-18
14	917356	1	(00000)-()	LOCKWASHER, Spring, 5/16
15	1655087	1	(00000)-()	SUPPORT, Frame
16	122203	1	(00000)-()	KEYS & RING ASSY
17	1655085	1	(00000)-()	SPACER
18	1655086	1	(00000)-()	LEVER, Switch

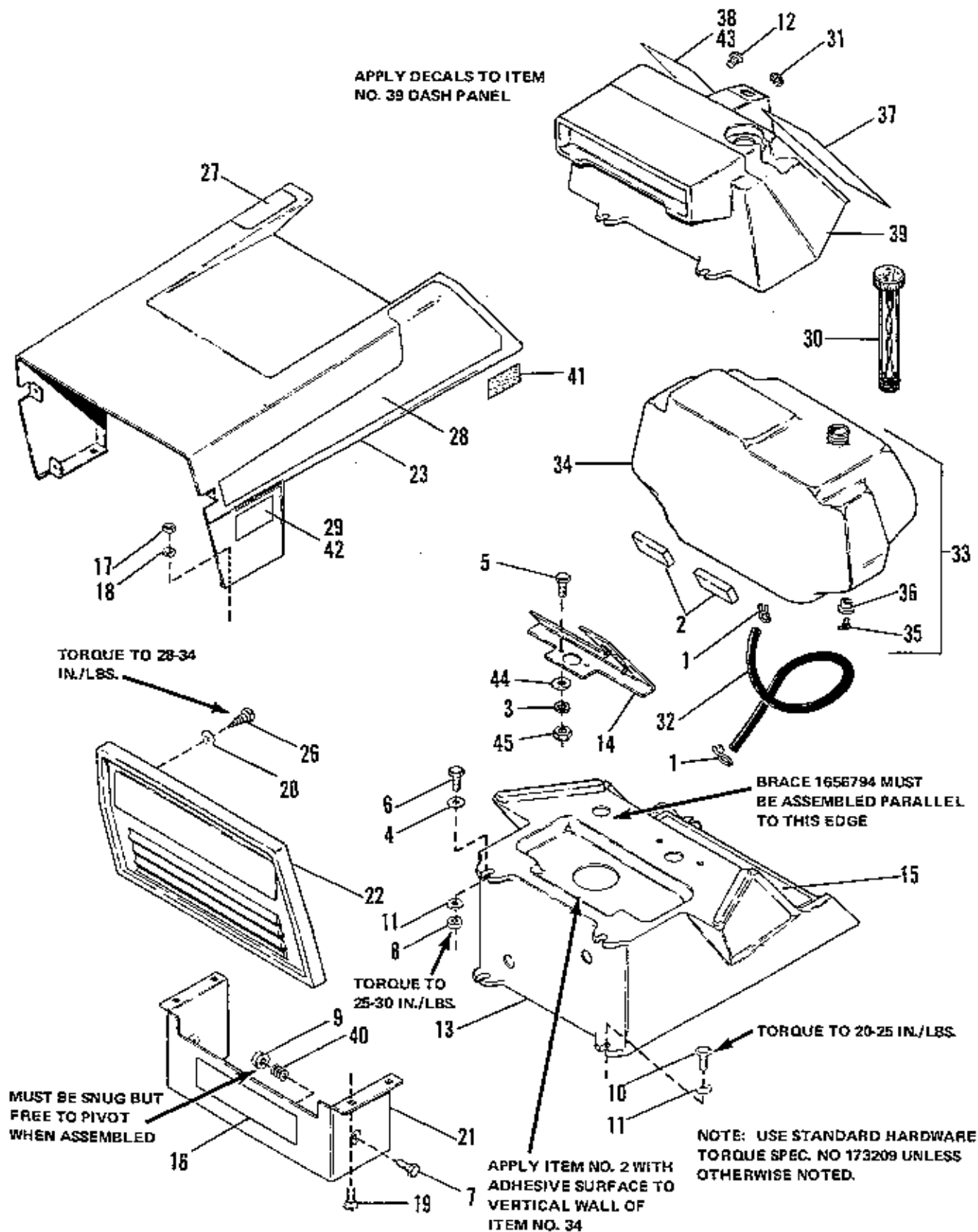
*Ref. No. 9 Includes Ref. No. 16



Ref. No.	Part No.	Qty.	Serial No.	Description
1	928634	2	{00000}-()	CAPSCREW, Hex Hd., 1/4-20 x 7
2	1655890	1	{00000}-()	HOLD-DOWN, Battery
3	916622	2	{00000}-()	NUT, Hex, 1/4-20
4	916964	2	{00000}-()	LOCKWASHER, Spring, 5/16
5	927428	12	{00000}-()	SCREW, Hex, Washer Hd, 1/4-20 x 3/8
6	1654634	2	{00000}-()	SWITCH, Interlock
7	930647	2	{00000}-()	NUT, Lock, 9/16-18
8	122213	1	{00000}-()	CABLE
9	917377	2	{00000}-()	WASHER, Plain, 1/4
**10	923341	2	{00000}-()	CAPSCREW, Hex Hd., 1/4-20
*11		1	{00000}-()	BATTERY
12	926022	2	{00000}-()	NUT, Retainer, 1/4-20
13	917372	3	{00000}-()	NUT, Hex, 5/16-18
14	917356	3	{00000}-()	LOCKWASHER, Spring, 5/16
15	1655087	1	{00000}-()	SUPPORT, Frame
16	918906	1	{00000}-()	LOCKWASHER, Internal Tooth, 5/8
17	1655085	1	{00000}-()	SPACER
18	1655086	1	{00000}-()	LEVER, Switch
19	157643	1	{00000}-()	WASHER
20	921333	1	{00000}-()	CAPSCREW, Hex Hd., 5/16-18 x 1
21	1655600	1	{00000}-()	BRACKET, Switch
22	122216	1	{00000}-()	SOLENOID
23	1604414	1	{00000}-()	CABLE, Tie
24	1655522	1	{00000}-()	CABLE
25	122023	1	{00000}-()	COVER, Terminal
26	1657351	1	{00000}-()	WIRING HARNESS (1690261 Only)
	1657351	1	{00000}-(05071)	WIRING HARNESS (1690343 Only)
	1655747	1	{05072}-()	WIRING HARNESS (1690343 Only)
27	172163	1	{00000}-()	BREAKER, Circuit
28	917415	1	{00000}-()	NUT, Hex, Machine, No. 10-32
29	922711	1	{00000}-()	LOCKWASHER, External Tooth, No.10
30	122203	1	{00000}-()	KEYS & RING ASSY
31	1651031	1	{00000}-()	WIRE ASSY
32	178280	1	{00000}-()	SWITCH, Ignition
33	122234	1	{00000}-()	NUT, Hex, 5/8-32 (Ignition)
34	165073	1	{00000}-()	CLIP, Speed

NOTE: *For battery replacement for 4108 Electric Start, order Kit No. 1685059
 For battery replacement for 4111, order Kit No. 1685063

**No longer needed if battery has threaded post

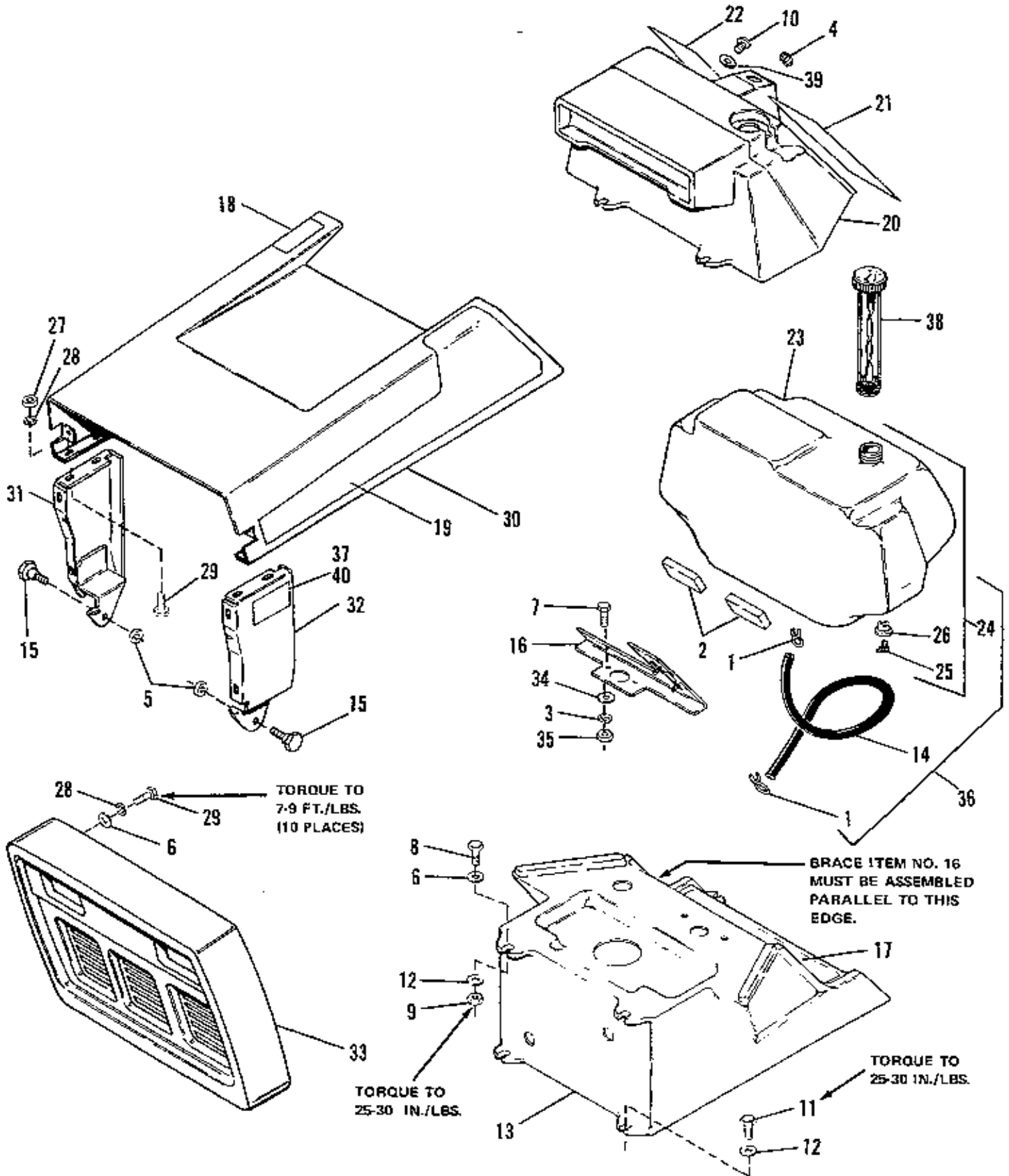


Hood, Grille & Dash Group (4108MS & 4108ES)

10/78

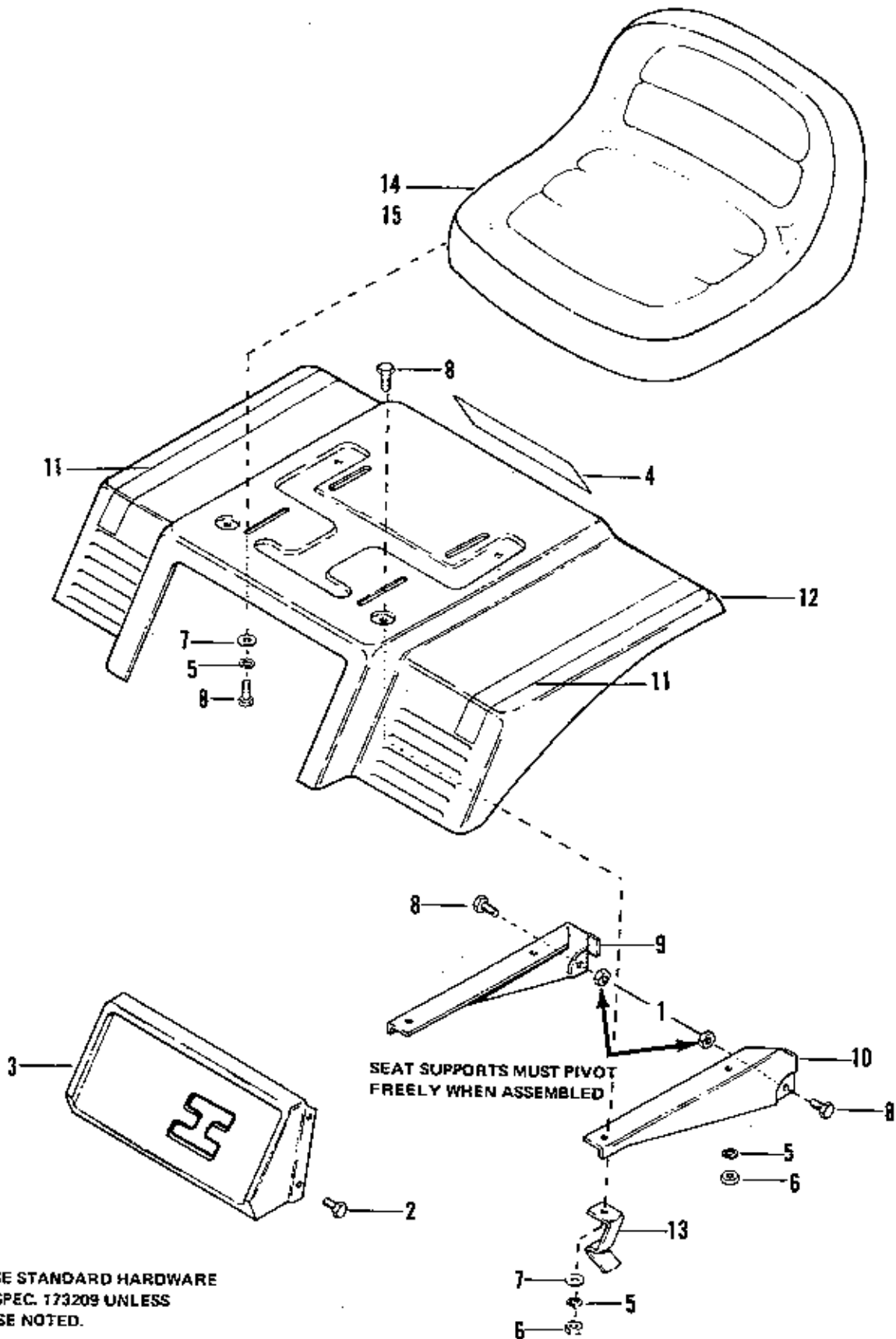
Ref. No.	Part No.	Qty.	Serial No.	Description
1	154372	2	{00000}-()	CLAMP, Hose
2	173335	2	{00000}-()	PAD, Fuel Tank
3	916955	2	{00000}-()	LOCKWASHER, Spring, 3/8
4	917377	2	{00000}-()	WASHER, Plain, 1/4
5	921210	2	{00000}-()	CAPSCREW, Hex Hd., 3/8-16 x 1 Gr. 5
6	921961	2	{00000}-()	CAPSCREW, Hex Hd., 1/4-20 x 1-1/4 Gr. 5
7	921977	2	{00000}-(10871)	CAPSCREW, Hex Hd., 5/16-18 x 1-1/4
8	923358	2	{00000}-()	NUT, Hex, Lock, 1/4-20
9	929001	2	{00000}-(10871)	NUT, Hex, Lock Flange, 5/16-18
10	929783	4	{00000}-()	SCREW, Hex, Washer Hd., 1/4-20 x 1
11	931704	6	{00000}-()	WASHER, Lock, Dish Type, 1/4
12	930561	2	{00000}-()	SCREW, Phillips, 1/4-20 x 3/4
13	1654805	1	{00000}-()	DASHBOARD, Bottom
14	1655301	1	{00000}-()	BRACE ASSY, Dash
15	1656870	1	{00000}-()	DECAL, Shift
16	153166	1	{00000}-()	DECAL, Simplicity
17	916622	4	{00000}-(10871)	NUT, Hex, 1/4-20
18	916954	4	{00000}-(10871)	LOCKWASHER, Spring, 1/4
19	923333	4	{00000}-(10871)	BOLT, Round Hd., 1/4-20 x 5/8
20	923906	4	{00000}-(10871)	WASHER, Plain, No. 8
21	1654559	1	{00000}-(10871)	BUMPER
22	1654802	1	{00000}-(10871)	GRILLE
23	1654807	1	{00000}-(10871)	HOOD ASSY
26	1654998	4	{00000}-(10871)	SCREW, Phillips, 10-32 x 3/8
27	1657102	1	{00000}-()	DECAL, Hood, R.H.
28	1657103	1	{00000}-()	DECAL, Hood, L.H.
29	1657141	2	{00000}-()	DECAL, "4108 Electric Start" (Electric Start)
30	171252	1	{00000}-()	CAP, Fuel Tank
31	928852	1	{00000}-()	CAP-PLUG, 1/2 Hole
32	1657661	1	{00000}-()	HOSE, Fuel
33	1655502	1	{00000}-()	FUEL TANK ASSY (includes Ref. Nos. 34,35,36)
34	1652933	1	{00000}-()	TANK, Fuel
35	1654460	1	{00000}-()	ELBOW
36	1654930	1	{00000}-()	BUSHING
37	1656864	1	{00000}-()	DECAL, Dash, L.H.
38	1656868	1	{00000}-()	DECAL, Dash, R.H. (4108 Electric Start Only)
39	1656891	1	{00000}-()	DASHBOARD, Top
40	8191047	2	{00000}-(10871)	SPRING
41	164120	2	{00000}-(10871)	PAD, Felt
42	1657142	2	{00000}-()	DECAL, "4108 Manual Start" (Manual Start)
43	1656872	1	{00000}-()	DECAL, Dash, R.H. (4108 Manual Start Only)
44	924356	2	{00000}-()	WASHER, Plain
45	916950	2	{00000}-()	NUT, Hex, 3/8-16

NOTE: This page includes Hood & Grille information for all
4108 Manual Start Tractors and 4108 Electric Start Tractors
Serial Numbers (00000)-(10871)



Ref. No.	Part No.	Qty.	Serial No.	Description
1	154372	2	{00000}-()	CLAMP, Hose
2	173335	2	{00000}-()	PAD, Fuel Tank
3	916965	2	{00000}-()	LOCKWASHER, Spring, 3/8
4	928852	1	{00000}-()	CAP, Plug
5	927557	2	{10872}-()	LOCKNUT, Flange, Whiz, 5/16-18
6	917377	10	{10872}-()	WASHER, Plain, 1/4
7	925592	2	{00000}-()	CAPSCREW, Hex Hd., 3/8-16 x 1
8	921951	2	{00000}-()	CAPSCREW, Hex Hd., 1/4-20 x 1-1/4
9	923358	2	{00000}-()	LOCKNUT, Hex, 1/4-20
10	930561	2	{00000}-()	SCREW, #14AB x 3/4
11	929783	4	{00000}-()	SCREW, Taptite Hex, 1/4-20 x 1
12	931704	6	{00000}-()	WASHER, Dish, 1/4
13	1654805	1	{00000}-()	DASHBOARD, Bottom
14	1664516	1	{00000}-()	HOSE, Fuel
15	1656792	2	{10872}-()	BOLT, Shoulder, 5/16-18
16	1653301	1	{00000}-()	BRACE ASSY, Dash
17	1656870	1	{00000}-()	DECAL, Shift Pattern
18	1657102	1	{00000}-()	DECAL, Hood, R.H.
19	1657103	1	{00000}-()	DECAL, Hood, L.H.
20	1656891	1	{00000}-()	DASH, Top
21	1656864	1	{00000}-()	DECAL, Dash, L.H.
22	1656868	1	{00000}-()	DECAL, Dash, R.H.
23	1652833	1	{00000}-()	TANK, Fuel
24	1655502	1	{00000}-()	FUEL TANK SUB ASSY
25	1654460	1	{00000}-()	ELBOW
26	1654830	1	{00000}-()	BUSHING
27	916622	4	{10872}-()	NUT, Hex, 1/4-20
28	916964	10	{10872}-()	LOCKWASHER, Spring, 1/4
29	921958	10	{10872}-()	CAPSCREW, Hex Hd., 1/4-20 x 1/2
30	1657799	1	{10872}-()	HOOD
31	1656786	1	{10872}-()	PANEL ASSY, R.H.
32	1656787	1	{10872}-()	PANEL ASSY, L.H.
33	1657786	1	{10872}-()	GRILLE
34	924356	2	{00000}-()	WASHER, Plain
35	916950	2	{00000}-()	NUT, Hex, 3/8-16
36	1664553	1	{00000}-()	TANK ASSY, Fuel
37	1663274	2	{00000}-()	DECAL, 4111
38	171252	1	{00000}-()	CAP, Fuel Tank
39	916955	2	{00000}-()	WASHER
40	1657141	2	{00000}-()	DECAL, 4108 Electric Start

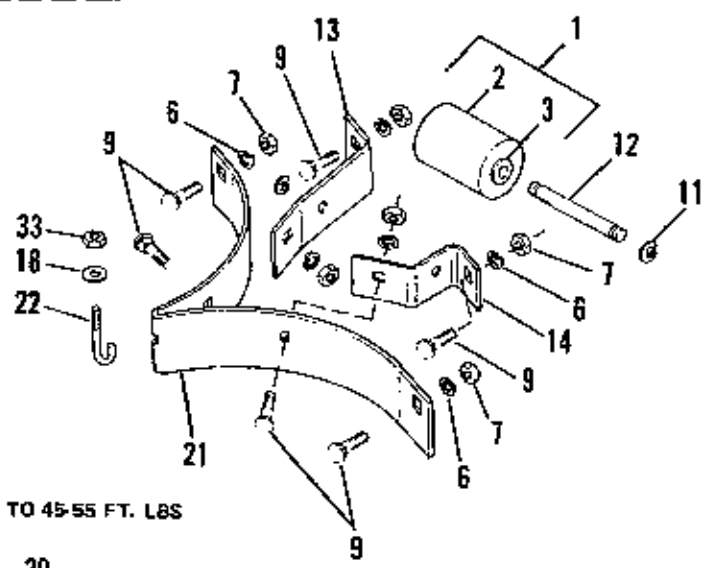
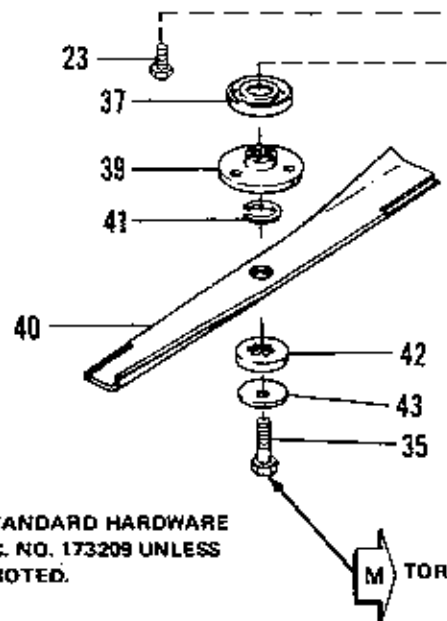
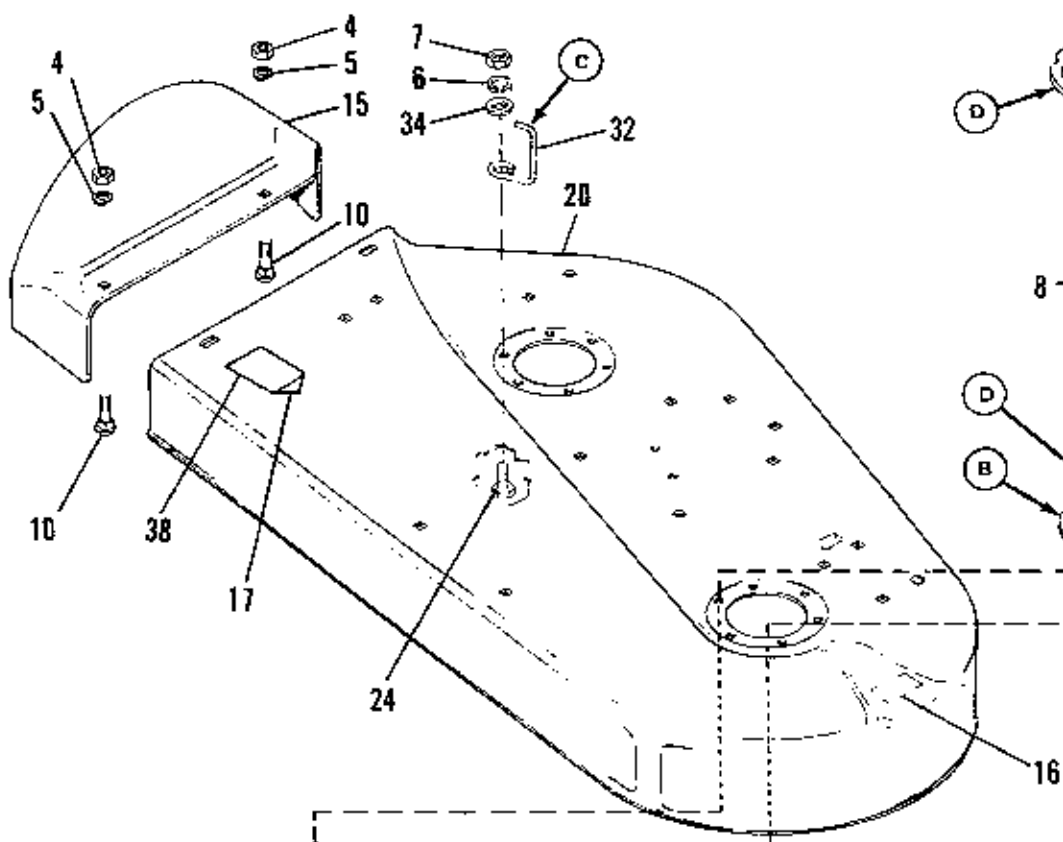
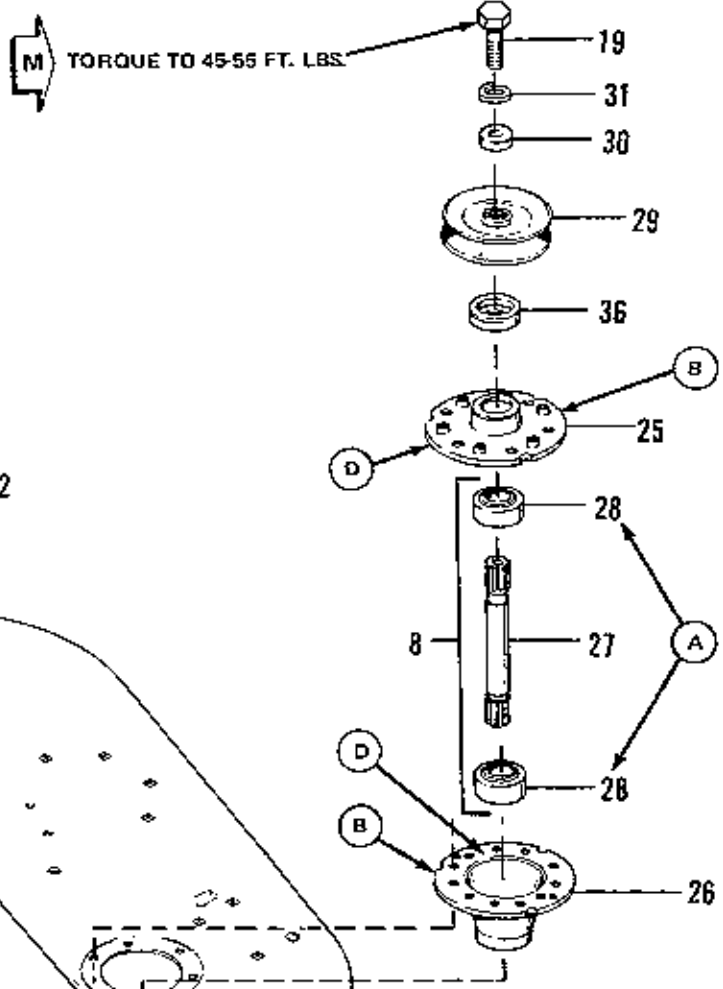
NOTE: This page includes Hood & Grille information for
4111 Tractors to present and 4108 Electric Start Tractors
Serial Numbers (10872)-()



Seat Group (4108MS, 4108ES & 4111)

10/78

Ref. No.	Part No.	Qty.	Serial No.	Description
1	923362	2	(00000)-()	NUT, Hex Lock, 5/16-18
2	925003	4	(00000)-()	SCREW, Taptite, Washer Hd., 1/4-20 x 1/2
3	1654724	1	(00000)-()	PANEL, Shift
4	153166	1	(00000)-()	DECAL, Simplicity
5	917366	8	(00000)-()	LOCKWASHER, Spring, 5/16
6	917372	4	(00000)-()	NUT, Hex, 5/16-18
7	917642	5	(00000)-()	WASHER, Plain, 5/16
8	921332	10	(00000)-()	CAPSCREW, Hex Hd., 5/16-18 x 3/4
9	1654708	1	(00000)-()	SUPPORT, R.H., Seat
10	1654709	1	(00000)-()	SUPPORT, L.H., Seat
11	1657131	2	(00000)-()	DECAL, Seat Deck
12	1656765	1	(00000)-()	DECK, Seat
13	1655287	1	(00000)-()	LATCH, Spring
14	1651879	1	(00000)-()	SEAT ASSY (4108 MS Only)
15	1655088	1	(00000)-()	SEAT ASSY (4108 ES & 4111 Only)

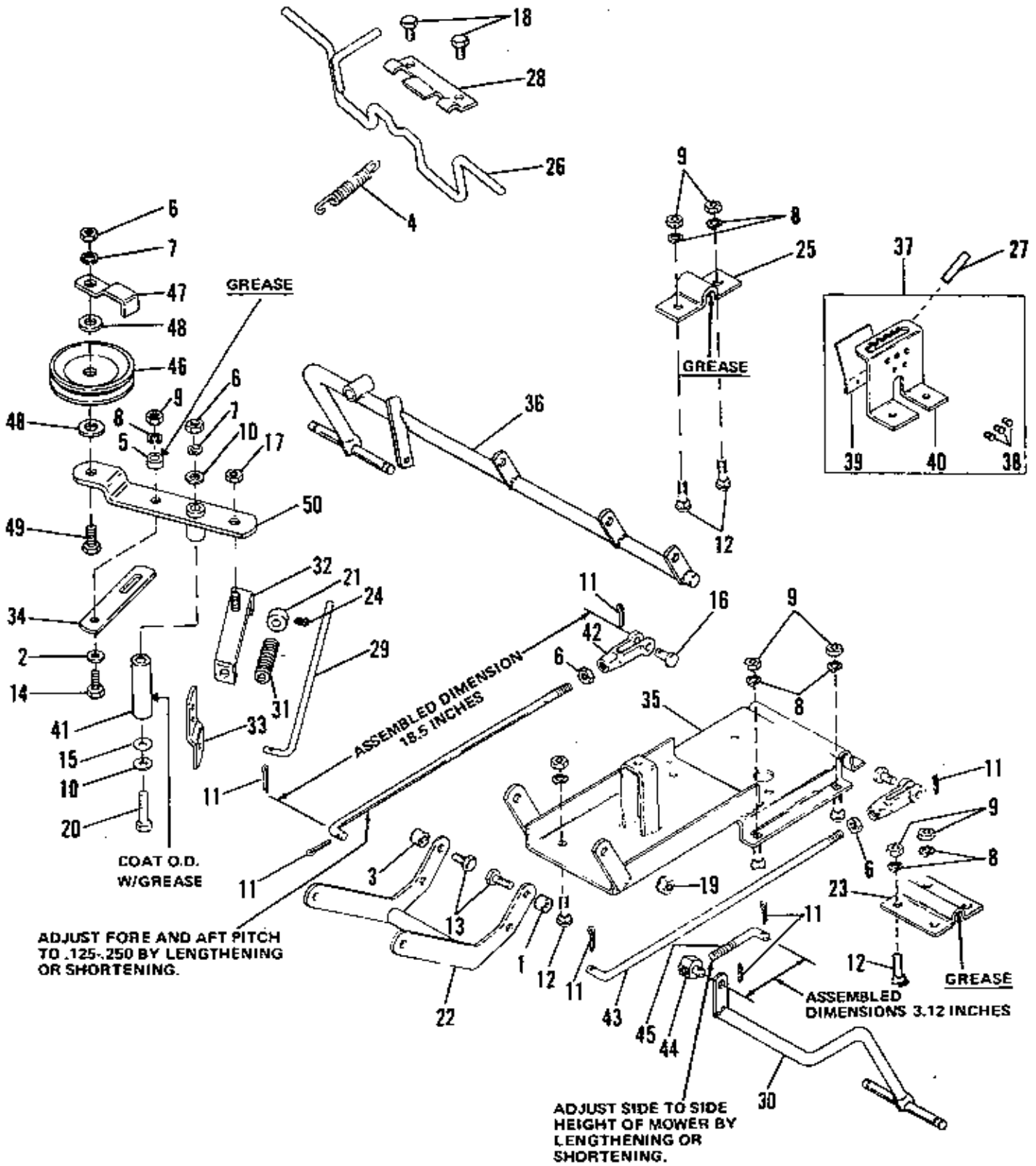


NOTE: USE STANDARD HARDWARE
TORQUE SPEC. NO. 173209 UNLESS
OTHERWISE NOTED.

Ref. No.	Part No.	Qty.	Serial No.	Description
1	108431	1	{00000}-{ }	ROLLER SUB ASSY
2		1	{00000}-{ }	ROLLER
3	108419	2	{00000}-{ }	BUSHING
4	916950	2	{00000}-{ }	NUT, Hex, Full, 3/8-16
5	916965	2	{00000}-{ }	LOCKWASHER, 3/8
6	917356	7	{00000}-{ }	LOCKWASHER, 5/16
7	917372	7	{00000}-{ }	NUT, Hex, Full, 5/16-18
8	1663336	2	{00000}-{ }	SHAFT & BEARING ASSY
9	920662	6	{00000}-{ }	BOLT, Carriage, 5/16-18 x 3/4
10	922110	2	{00000}-{ }	BOLT, Carriage, 3/8-16 x 3/4
11	1602155	2	{00000}-{ }	E-RING
12	1603205	1	{00000}-{ }	SHAFT, Center Roller
13	1655096	1	{00000}-{ }	BRACKET, Roller, R.H.
14	1655100	1	{00000}-{ }	BRACKET, Roller, L.H.
15	1655422	1	{00000}-{ }	DEFLECTOR, Mower
16	1656856	1	{00000}-{ }	DECAL, Danger
17		1	{00000}-{ }	DECAL, OPEI
18	917377	1	{00000}-{ }	WASHER, 1/4
19	926110	2	{00000}-{ }	CAPSCREW, Hex Hd., 7/16-14 x 2 3/4 Gr. 5
20	1656156	1	{00000}-{ }	HOUSING, 36"
21	1654551	1	{00000}-{ }	BAFFLE
22	1654910	1	{00000}-{ }	SCREW, Baffle Hook
23	930601	11	{00000}-{ }	SCREW, Hex Washer Hd., 5/16 x 5/8
24	927477	1	{00000}-{ }	SCREW, Hex Washer Hd., 5/16 x 1
25	1655729	2	{00000}-{ }	HOUSING, Top
26	1655728	2	{00000}-{ }	HOUSING, Bottom
27	1655751	2	{00000}-{ }	SHAFT, Arbor
28	108202	4	{00000}-{ }	BEARING
29	1655839	2	{00000}-{ }	PULLEY ASSY
30	933263	2	{00000}-{ }	WASHER, Special
31	918199	2	{00000}-{ }	LOCKWASHER, 7/16
32	1657660	1	{00000}-{ }	STOP, Belt
33	923358	1	{00000}-{ }	LOCKNUT, Hex, 1/4-20
34	917642	1	{00000}-{ }	WASHER, 5/16
35	926110	2	{00000}-{ }	CAPSCREW, Hex Hd., 7/16-14 x 2-3/4
36	1657969	2	{00000}-{ }	SHIELD, Bearing, Upper
37	1657588	2	{00000}-{ }	SHIELD, Grass
38	1656857	1	{00000}-{ }	DECAL, Warning
39	1655777	2	{00000}-{ }	ADAPTOR, Blade
40	1657589	2	{00000}-{ }	BLADE, 36"
41	1657528	2	{00000}-{ }	RING, Self Locking
42	1656927	2	{00000}-{ }	WASHER, Spline
43	1656916	2	{00000}-{ }	WASHER, Cup

ASSEMBLY PROCEDURE**36" Mower (Housing & Arbor Group)**

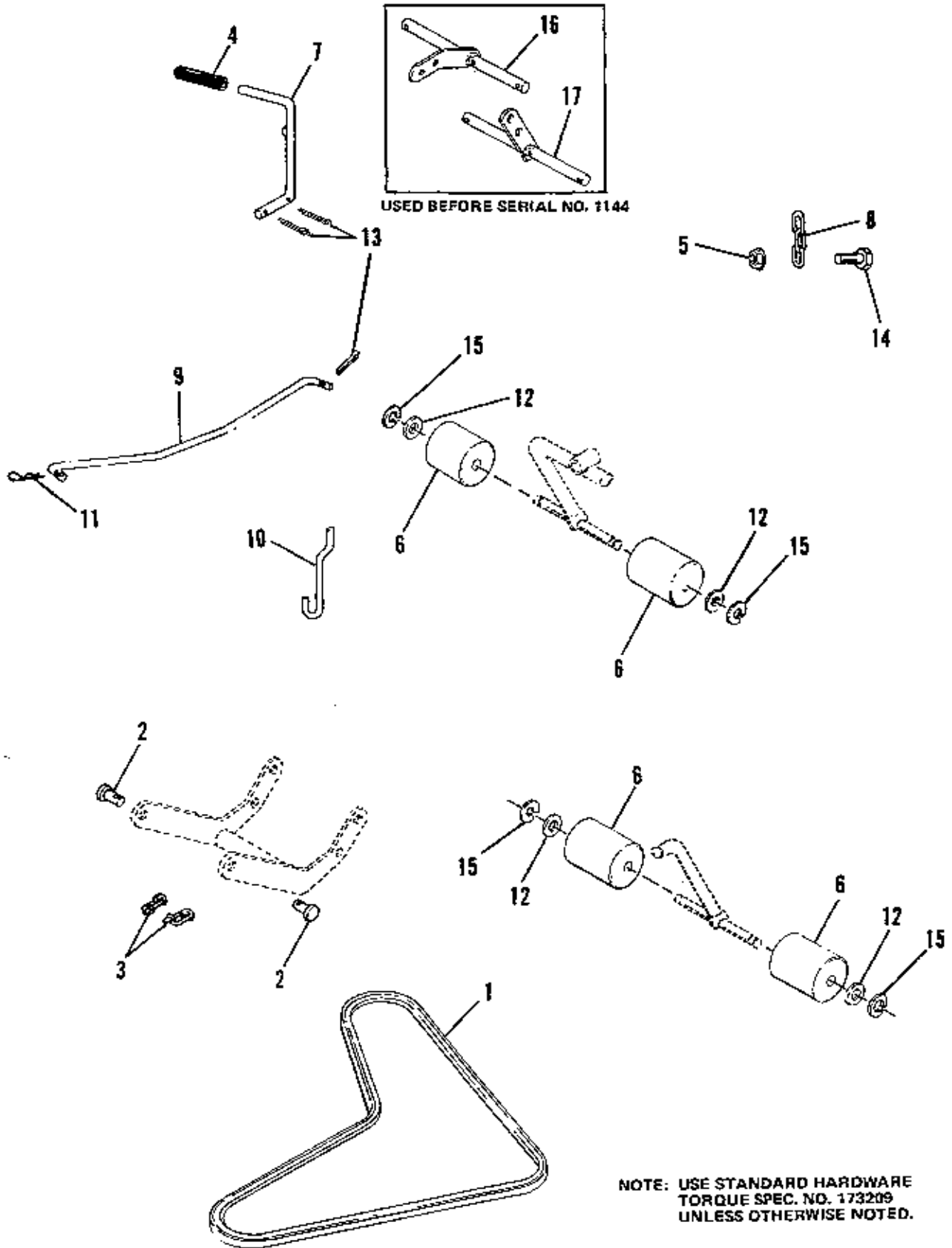
- A. Press (2) bearings (item 28) with land riding seal out over shaft (item 27) using pressure only on the inner race of the bearing.
- B. Assemble upper and lower arbor housings (items 25 and 26) over bearings. Be careful that housings do not cock on bearings. When upper and lower housing flanges come together proper alignment of holes in housing flanges are accomplished by aligning knockouts in lower housing flange with matching holes in upper housing flange. Also half holes in outer edge must match.
- C. (R.H. arbor only) Place belt stops over Taptite screw (item 24) and secure in position with flat washer, lockwasher, and nut in location shown. Tighten into position with .19 clearance between belt and belt stop.
- D. Seal between flanges of upper arbor housing and lower arbor housing with gasket eliminator. Remove contaminants, such as grease, heavy oils and dirt from flange surfaces before assembly. Avoid later movement between flange surfaces during assembly.



Ref. No.	Part No.	Qty.	Serial No.	Description
1	118335	1	(00000)-()	SPACER
2	917377	1	(00000)-()	WASHER
3	153073	1	(00000)-()	SPACER
4	159159	1	(00000)-()	SPRING
5	165034	1	(00000)-()	SPACER
6	916950	4	(00000)-()	NUT, Hex, Full, 3/8-16
7	916965	2	(00000)-()	LOCKWASHER, 3/8
8	917356	15	(00000)-()	LOCKWASHER, 5/16
9	917372	15	(00000)-()	NUT, Hex, Full, 5/16-18
10	917378	2	(00000)-()	WASHER, 3/8
11	918447	7	(00000)-()	PIN, Cotter, 3/32 x 3/4
12	920562	14	(00000)-()	BOLT, Carriage, 5/16-18 x 3/4
13	921210	2	(00000)-()	CAPSCREW, Hex Hd., 3/8-16 x 1
14	921333	1	(00000)-()	CAPSCREW, Hex Hd., 5/16-18 x 1
15	924356	1	(00000)-()	WASHER
16	923087	2	(00000)-()	PIN, Yoke Clevis
17	923362	1	(00000)-()	LOCKNUT, Hex, 5/16-18
18	927428	2	(00000)-()	SCREW, Hex Washer Hd., 1/4 x 3/8
19	930645	2	(00000)-()	NUT, Hex, Flange, 3/8-16
20	928957	1	(00000)-()	CAPSCREW, Hex Hd., 3/8-16 x 2-3/4
21	8191022	1	(00000)-()	COLLAR, Set
22	1653716	1	(00000)-()	ARM ASSY, Rocker
23	1653768	1	(00000)-()	CLAMP, Wheel Support
24	928804	1	(00000)-()	SETSCREW, Sq. Hd., 1/4-20 x 3/8
25	1654655	1	(00000)-()	STRAP
26	1657458	1	(00000)-()	ROD ASSY, Brake
27	1656855	1	(00000)-()	DECAL, Mower Height
28	1655507	1	(00000)-()	SUPPORT, Brake
29	171320	1	(00000)-()	ROD, Clutch PTO
30	1663087	1	(00000)-()	SUPPORT ASSY, L.H. Wheel
31	163103	1	(00000)-()	SPRING
32	108662	1	(00000)-()	GUIDE ASSY, Rod
33	1656991	1	(00000)-()	ARM, Pivot
34	1656998	1	(00000)-()	LEVER, Brake
35	1657000	1	(00000)-()	SUPPORT ASSY, Mower
36	1663089	1	(00000)-()	WHEEL SUPPORT ASSY, R.H.
37	1663223	1	(00000)-()	QUADRANT ASSY
38	910542	3	(00000)-()	RIVET, Tubular, 3/16 x 5/16
* 39	1663222	1	(00000)-()	SPRING, Flat Spring
	1602200	1	(00000)-()	SPRING, Flat Spring
40	1663221	1	(00000)-()	QUADRANT
41	1657242	1	(00000)-()	SPACER
42	108157	2	(00000)-()	CLEVIS, Adjusting
43	1654411	2	(00000)-()	ROD, Height Adjustment
44	108512	1	(00000)-()	PIVOT
45	1655811	1	(00000)-()	ROD, Bolt
46	106716	1	(00000)-()	PULLEY, Idler
47	106717	1	(00000)-()	GUIDE, Belt
48	917642	2	(00000)-()	WASHER, 5/16
49	921969	1	(00000)-()	CAPSCREW, Hex Hd., 3/8-16 x 1-1/2
50	1657241	1	(00000)-()	LEVER ASSY, Clutch

*NOTE: Order Part No. 1663222 to fit Quadrant with five rivet holes.

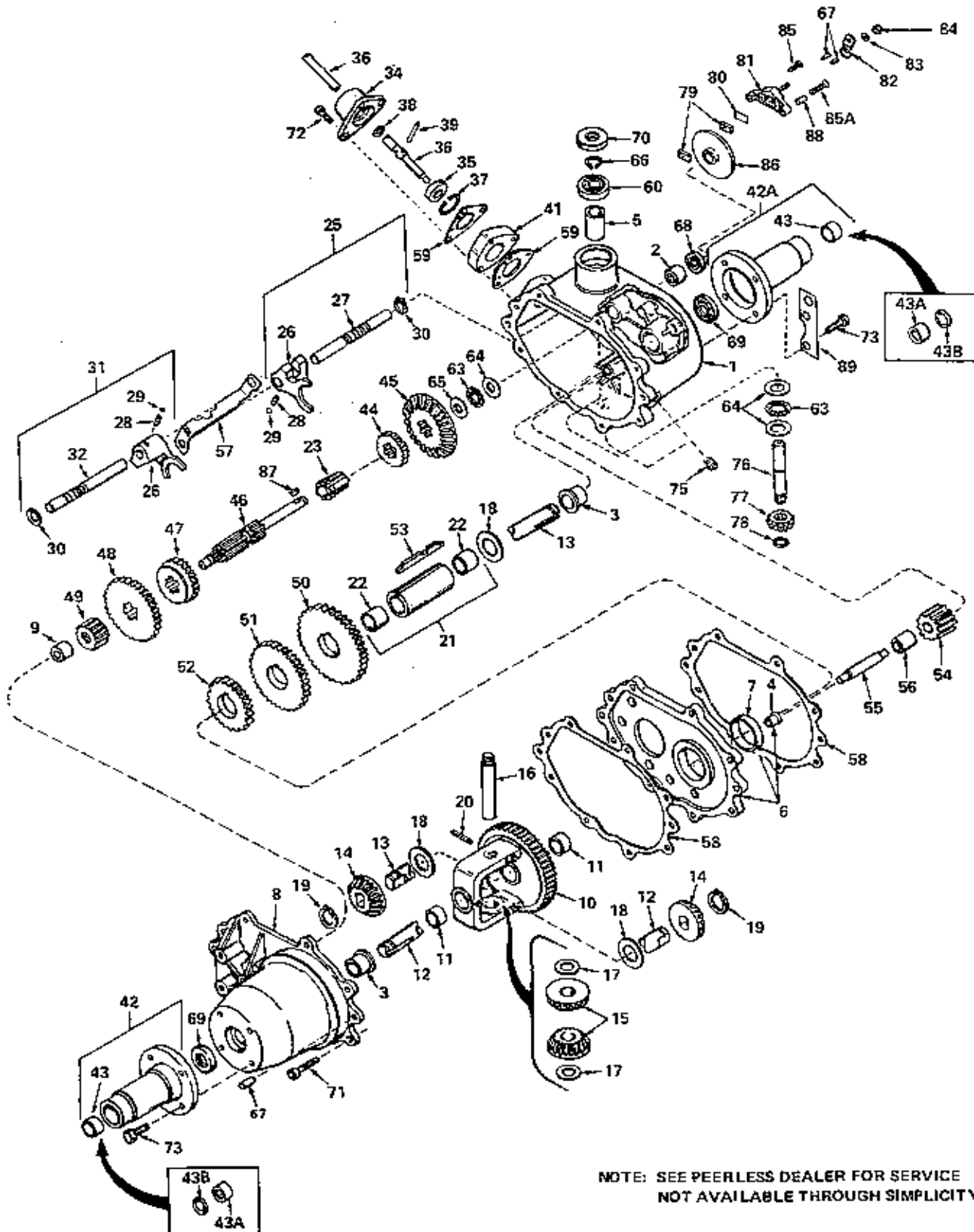
Order Part No. 1602200 to fit Quadrant with two rivet holes.



Ref. No.	Part No.	Qty.	Serial No.	Description
1	108505	1	{00000}-{ }	BELT, "V"
2	156306	2	{00000}-{ }	PIN
3	176012	2	{00000}-{ }	CLIP, Pin, Safety
4	176933	1	{00000}-{ }	GRIP, Handle
5	929001	1	{00000}-{ }	LOCKNUT, Hex, Flange, 5/16-18
6	1655098	4	{00000}-{ }	ROLLER
7	1656412	1	{00000}-{ }	ROD, Height Control
8	1656835	1	{00000}-{ }	CHAIN, Lift
9	1656999	1	{00000}-{ }	ROD, PTO
10	1657015	1	{00000}-{ }	ROD, Lift Hook
11	106787	1	{00000}-{ }	CLIP, Spring
12	918387	4	{00000}-{ }	WASHER, Plain, 5/8 x 1-1/4
13	918448	3	{00000}-{ }	PIN, Cotter, 3/32 x 1
14	921333	1	{00000}-{ }	CAPSCREW, Hex Hd., 5/16-18 x 1
15	153124	4	{00000}-{ }	RING, Retaining
16	1655097	1	{00000}-{01143}	SHAFT ASSY, Roller, R.H.
17	1655099	1	{00000}-{01143}	SHAFT ASSY, Roller, L.H.

A-1745

Model 657



NOTE: SEE PEERLESS DEALER FOR SERVICE
NOT AVAILABLE THROUGH SIMPLICITY

Used on Mfg. No. 1690259 Serial # (00000)-(01781)
 1690261 Serial # (00000)-(08969)
 1690343 Serial # (00000)-(02531)

Transaxle Model No. 657

Simplicity

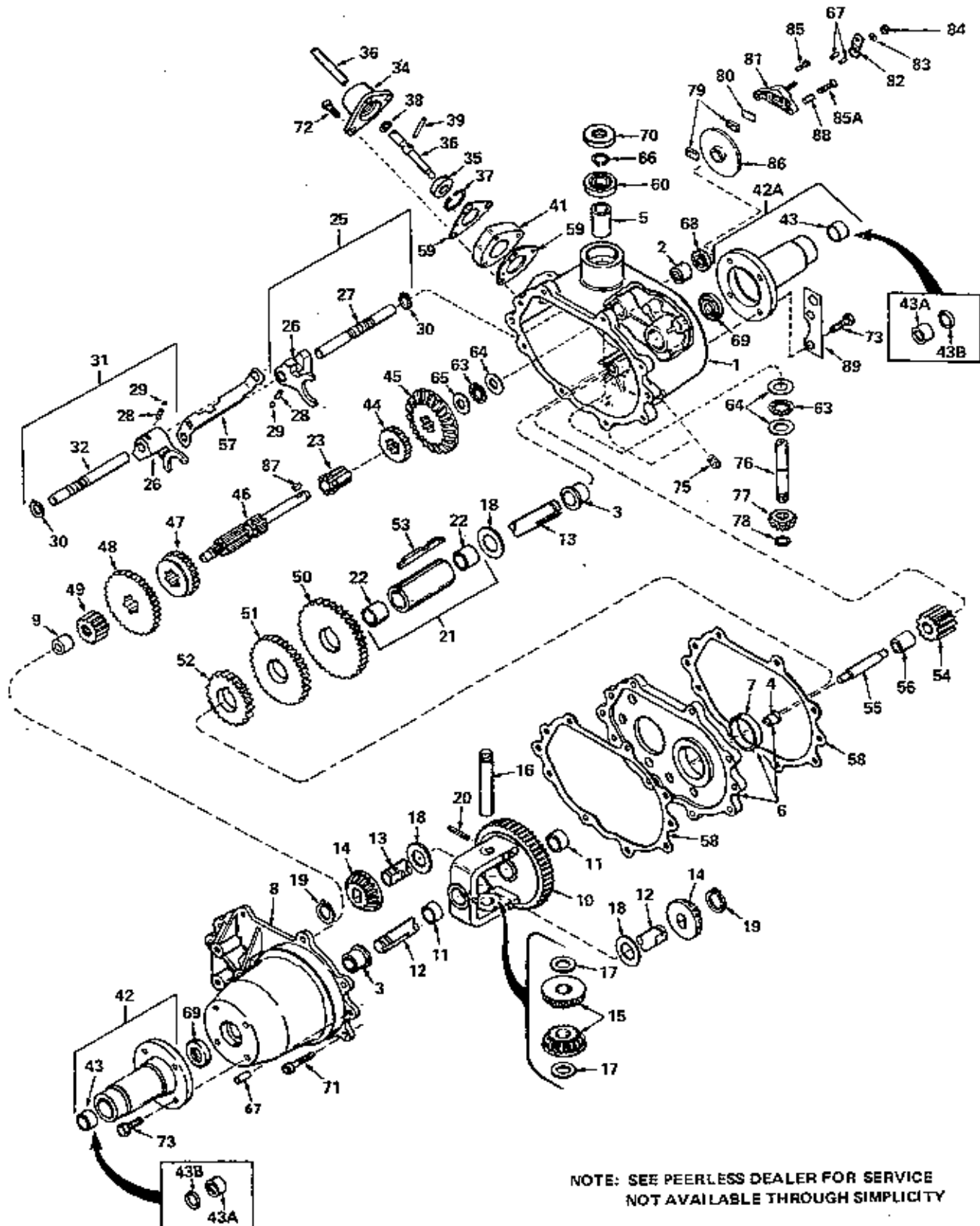
5/78

Ref. No.	Part No.	Qty.	Serial No.	Description
1	770063	(00000)-()	CASE ASSEMBLY, Transaxle (Incl. Nos. 2, 3, & 5)
2	780086	(00000)-()	BEARING, Needle
3	780059	(00000)-()	BEARING, Bronze
4	780060	(00000)-()	BEARING, Bronze
5	780061	(00000)-()	BEARING, Bronze
6	786033	(00000)-()	PLATE ASSEMBLY, Center (Incl. Nos. 4 & 7)
7	780062	(00000)-()	BEARING, Bronze
8	772042	(00000)-()	COVER ASSEMBLY, Transaxle (Incl. Nos. 3 & 9)
9	780063	(00000)-()	BEARING, Needle
10	778053	(00000)-()	GEAR ASSEMBLY, Differential (Incl. No. 11)
11	780064	(00000)-()	BEARING, Bronze
12	774352	(00000)-()	AXLE, L.H.
13	774299	(00000)-()	AXLE, R.H.
14	778067	(00000)-()	GEAR, Bevel
15	778068	(00000)-()	PINION, Bevel
16	786034	(00000)-()	PIN, Drive
17	780065	(00000)-()	WASHER, Thrust
18	780001	(00000)-()	WASHER, Thrust
19	788038	(00000)-()	RING, Snap
20	792040	(00000)-()	PIN, Roll
21	786035	(00000)-()	SLEEVE ASSEMBLY, Countershaft (Incl. No. 22)
22	780066	(00000)-()	BEARING, Bronze
23	778090	(00000)-()	SHAFT, Idler
25	784079	(00000)-()	ROD ASSEMBLY, Shift (1st & Rev.) (Incl. No. 26-30)
26	784004	(00000)-()	FORK, Shift
27	784083	(00000)-()	ROD, Shift
28	792003	(00000)-()	SPRING
29	792004	(00000)-()	BALL, Steel
30	792017	(00000)-()	RING, Snap
31	784084	(00000)-()	ROD ASSEMBLY, Shift (2nd & 3rd) (Incl. Nos. 26,28,29,30,&32)
32	784085	(00000)-()	ROD, Shift
34	784088	(00000)-()	HOUSING, Shift Lever
35	784094	(00000)-()	KEEPER, Shift Lever
36	784283	(00000)-()	LEVER, Shift
37	792016	(00000)-()	RING, Snap
38	792001	(00000)-()	RING, Quad
39	792049	(00000)-()	PIN, Drive
41	786057	(00000)-()	BLOCK, Riser
42	782036A	(00000)-()	HOUSING ASSEMBLY, Axle (Incl. No. 43)
42A	782043	(00000)-()	HOUSING ASSEMBLY, Axle (Incl. No. 43)
43	780091	(00000)-()	BEARING & SEAL ASSEMBLY, Needle (See Note 1)
43A	530105	(00000)-()	BEARING, Needle
43B	788042	(00000)-()	SEAL, Oil
44	778024	(00000)-()	GEAR (16 Teeth)
45	778057	(00000)-()	GEAR, Bevel (33Teeth)

NOTE: SEE PEERLESS DEALER FOR SERVICE
 NOT AVAILABLE THROUGH SIMPLICITY

TECHUMSEH PRODUCTS COMPANY
 Lauson-Power Products Parts Depot Division
 Grafton, Wisconsin

A-1745
Model 657



Used on Mfg. No. 1690259 Serial # (00000)-(01781)

1690261 Serial # (00000)-(08969)

1690343 Serial # (00000)-(02531)

Transaxle Model No. 657

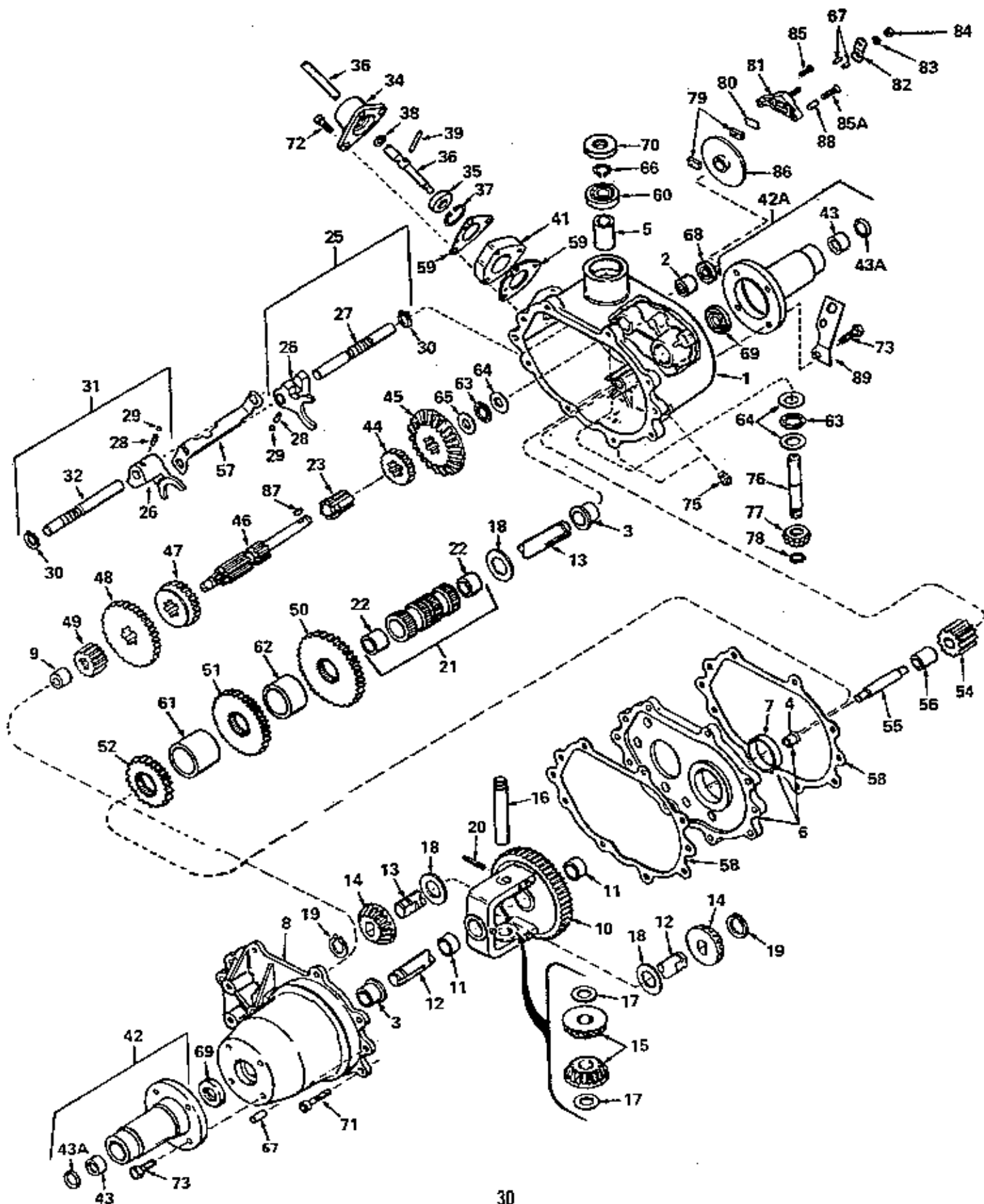
Simplicity

5/78

Ref. No.	Part No.	Qty.	Serial No.	Description
46	778138	(00000)-()	SHAFT, Shifter and Brake
47	778058	(00000)-()	GEAR, Shifting (2nd and 3rd)
48	778059	(00000)-()	GEAR, Shifting (1st and Rev.)
49	778060	(00000)-()	GEAR, Spur (12 Teeth)
50	778061	(00000)-()	GEAR, Countershaft Drive (39 Teeth)
51	778062	(00000)-()	GEAR, Countershaft (34 Teeth)
52	778063	(00000)-()	GEAR, Countershaft (25 Teeth)
53	792034A	(00000)-()	KEY, Countershaft
54	778064	(00000)-()	IDLER, Reverse
55	778057	(00000)-()	SHAFT, Reverse Idler
56	786036	(00000)-()	SPACER, Reverse Idler
57	784087	(00000)-()	STOP, Shifter
58	788033	(00000)-()	GASKET, Case and Cover
59	788003	(00000)-()	GASKET, Shift Lever Housing
60	780093	(00000)-()	BEARING, Ball
63	780071	(00000)-()	BEARING, Thrust
64	780072	(00000)-()	WASHER, Thrust
65	780073	(00000)-()	WASHER, Thrust
66	792035	(00000)-()	RING, Snap
67	786026	(00000)-()	PIN, Dowel
68	788043	(00000)-()	SEAL, Oil
69	788009	(00000)-()	SEAL, Oil
70	788035	(00000)-()	SEAL, Oil
71	792036	(00000)-()	CAPSCREW, Socket Hd., 1/4-20 x 1 1/4
72	792051	(00000)-()	CAPSCREW, Socket Hd., 1/4-20 x 1 3/4
73	792037	(00000)-()	SCREW, Hex Hd., Sems, 5/16-18 x 1
75	792039	(00000)-()	PLUG, Pipe, 1/8
76	778103	(00000)-()	SHAFT, Input
77	778077	(00000)-()	PINION, Input
78	788040	(00000)-()	RING, Retaining
79	790006	(00000)-()	PAD, Brake
80	790007	(00000)-()	PLATE, Brake Pad
81	790005	(00000)-()	HOLDER, Brake Pad
82	790019	(00000)-()	LEVER, Brake
83	792076	(00000)-()	WASHER, Flat
84	792075	(00000)-()	LOCKNUT
85	792073	(00000)-()	CAPSCREW, Hex Hd., Thread Forming, 1/4-20 x 1 1/4
85A	792085	(00000)-()	SCREW, Hex Hd., Thread Forming, 1/4-20 x 2 1/4
86	790009	(00000)-()	DISK, Brake
87	792045	(00000)-()	KEY, Woodruff No. 61
88	786056	(00000)-()	SPACER
89	786073	(00000)-()	BRACKET, Spring Anchor

NOTE 1: The No. 780091 Bearing and Seal Assembly Can Be Used Interchangeably With The Separate No. 530105 Bearing and The Separate No. 788042 Seal.

NOTE: SEE PEERLESS DEALER FOR SERVICE
NOT AVAILABLE THROUGH SIMPLICITY



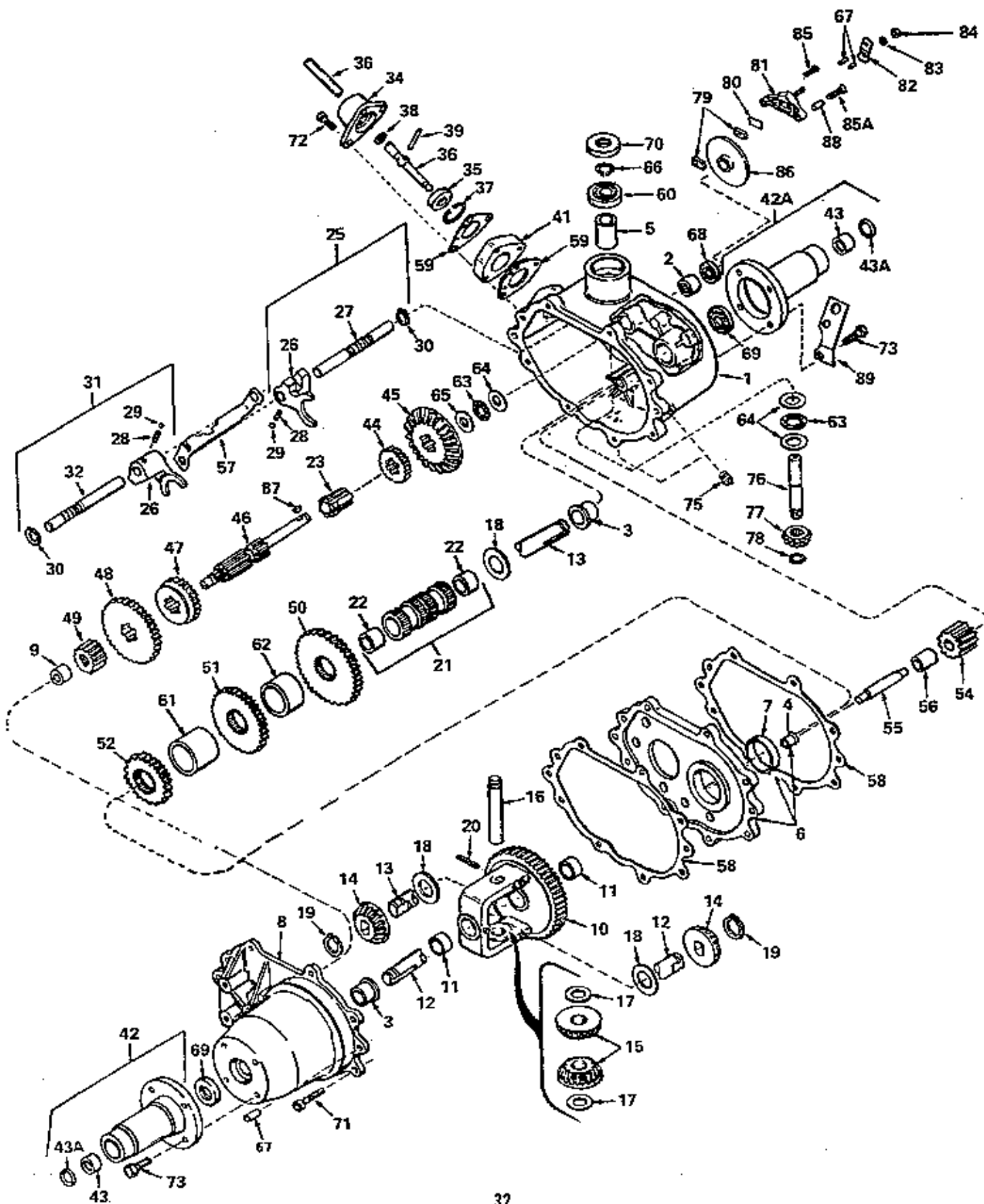
Used on Mfg. No. 1690261 Serial # (08970)-()
 1690343 Serial # (02532)-()
 Transaxle Model No. 657-A



5/78

Rel. No.	Part No.	Qty.	Serial No.	Description
1	770063		(00000)-()	CASE ASSY, Transaxle (Incl. Nos. 2,3 & 5)
2	780086		(00000)-()	BEARING, Needle
3	780059		(00000)-()	BEARING, Bronze
4	780060		(00000)-()	BEARING, Bronze
5	780061		(00000)-()	BEARING, Bronze
6	786033		(00000)-()	PLATE ASSY, Center (Incl. Nos. 4 & 7)
7	780062		(00000)-()	BEARING, Bronze
8	772042		(00000)-()	COVER ASSY, Transaxle (Incl. Nos. 3 & 9)
9	780063		(00000)-()	BEARING, Needle
10	778053A		(00000)-()	GEAR ASSY, Differential (Incl. No. 11)
11	780064		(00000)-()	BEARING, Bronze
12	774352		(00000)-()	AXLE, Left Hand
13	774299		(00000)-()	AXLE, Right Hand
14	778067		(00000)-()	GEAR, Bevel
15	778068		(00000)-()	PINION, Bevel
16	786034		(00000)-()	PIN, Drive
17	780065		(00000)-()	WASHER, Thrust
18	780001		(00000)-()	WASHER, Thrust
19	788038		(00000)-()	RING, Snap
20	792040		(00000)-()	PIN, Roll
21	786080		(00000)-()	SLEEVE ASSY, Countershaft (Incl. No. 22)
22	780066		(00000)-()	BEARING, Bronze
23	776090		(00000)-()	SHAFT, Idler
25	784079		(00000)-()	ROD ASSY, Shift (1st & 2nd) (Incl. Nos. 26 thru 30)
26	784004		(00000)-()	FORK, Shift
27	784083		(00000)-()	ROD, Shift
28	792003		(00000)-()	SPRING
29	792004		(00000)-()	BALL, Steel
30	792017		(00000)-()	RING, Snap
31	784084		(00000)-()	ROD ASSY, Shift (2nd & 3rd) (Incl. Nos. 26,28,29,30 & 32)
32	784085		(00000)-()	ROD, Shift
34	784088		(00000)-()	HOUSING, Shift Lever
35	784094		(00000)-()	KEEPER, Shift Lever
36	784283		(00000)-()	LEVER, Shift
37	792016		(00000)-()	RING, Snap
38	792001		(00000)-()	RING, Quad
39	792049		(00000)-()	PIN, Drive
41	786057		(00000)-()	BLOCK, Riser
42	782036A		(00000)-()	HOUSING ASSY, Axle (Incl. No. 43)
42A	782043		(00000)-()	HOUSING ASSY, Axle (Incl. No. 43)
43	530105		(00000)-()	BEARING, Needle
43A	788042		(00000)-()	SEAL, Oil
44	778024A		(00000)-()	GEAR (16 Teeth)

NOTE: SEE PEERLESS DEALER FOR SERVICE
 NOT AVAILABLE THROUGH SIMPLICITY



Used on Mfg. No. 1690261 Serial # (08970)-()
 1690343 Serial # (02532)-()

Transaxle Model No. 657-A




Simplicity

5/78

Ref. No.	Part No.	Serial No.	Description
45	778057	(00000)-()	GEAR, Bevel (33 Teeth)
46	778138	(00000)-()	SHAFT, Shifter & Brake
47	778058	(00000)-()	GEAR, Shifting (2nd & 3rd)
48	778059	(00000)-()	GEAR, Shifting (1st & Rev.)
49	778060	(00000)-()	GEAR, Spur (12 Teeth)
50	778140	(00000)-()	GEAR, Countershaft Drive (39 Teeth)
51	778141	(00000)-()	GEAR, Countershaft (34 Teeth)
52	778142	(00000)-()	GEAR, Countershaft (25 Teeth)
54	778064	(00000)-()	IDLER, Reverse
55	778057	(00000)-()	SHAFT, Reverse Idler
56	788036	(00000)-()	SPACER, Reverse Idler
57	784087	(00000)-()	STOP, Shifter
58	788033	(00000)-()	GASKET, Case & Cover
59	788003	(00000)-()	GASKET, Shift Lever Housing
60	780093	(00000)-()	BEARING, Ball
61	788078	(00000)-()	SPACER
62	788079	(00000)-()	SPACER
63	780071	(00000)-()	BEARING, Thrust
64	780072	(00000)-()	WASHER, Thrust
65	780073	(00000)-()	WASHER, Thrust
66	792036	(00000)-()	RING, Snap
67	788026	(00000)-()	PIN, Dowel
68	788043	(00000)-()	SEAL, Oil
69	788009	(00000)-()	SEAL, Oil
70	788035	(00000)-()	SEAL, Oil
71	792036	(00000)-()	CAPSCREW, Socket Hd., 1/4-20 x 1-1/4
72	792051	(00000)-()	CAPSCREW, Socket Hd., 1/4-20 x 1-3/4
73	792037	(00000)-()	SCREW, Hex Hd., Sems. 5/16-18 x 1
75	792039	(00000)-()	PLUG, Pipe, 1/8"
76	778103	(00000)-()	SHAFT, Input
77	778077	(00000)-()	PINION, Input
78	788040	(00000)-()	RING, Retaining
79	790006	(00000)-()	PAD, Brake
80	790007	(00000)-()	PLATE, Brake Pad
81	790005	(00000)-()	HOLDER, Brake Pad
82	790019	(00000)-()	LEVER, Brake
83	792076	(00000)-()	WASHER, Flat
84	792075	(00000)-()	NUT, Lock
85	792073	(00000)-()	CAPSCREW, Hex Hd., Thd. Forming, 1/4-20 x 1-1/4
85A	792085	(00000)-()	SCREW, Hex Hd., Thd. Forming, 1/4-20 x 2-1/4
86	790009	(00000)-()	DISK, Brake
87	792045	(00000)-()	KEY, Woodruff #61
88	788066	(00000)-()	SPACER
89	788073	(00000)-()	BRACKET, Spring Anchor

**NOTE: SEE PEERLESS DEALER FOR SERVICE
 NOT AVAILABLE THROUGH SIMPLICITY**

**TORQUE SPECIFICATIONS FOR
STANDARD MACHINE HARDWARE
TOLERANCE $\pm 10\%$**

SIZE	SAE GRADE #2		SAE GRADE #5		SAE GRADE #8	
						
8-32	19	In. Lbs.	30	In. Lbs.	41	In. Lbs.
8-36	20	"	31	"	43	"
10-24	27	"	43	"	60	"
10-32	31	"	49	"	68	"
1/4-20	66	"	8	Ft. Lbs	12	Ft. Lbs.
1/4-28	76	"	10	"	14	"
5/16-18	11	Ft. Lbs	17	"	25	"
5/16-24	12	"	19	"	25	"
3/8-16	20	"	30	"	45	"
3/8-24	23	"	35	"	50	"
7/16-14	30	"	50	"	70	"
7/16-20	35	"	55	"	80	"
1/2-13	50	"	75	"	110	"
1/2-20	55	"	90	"	120	"
9/16-20	65	"	110	"	150	"
9/16-18	75	"	120	"	170	"
5/8-11	90	"	150	"	220	"
5/8-18	100	"	180	"	240	"
3/4-10	160	"	260	"	386	"
3/4-16	180	"	300	"	420	"
7/8-9	140	"	400	"	600	"
7/8-14	155	"	440	"	660	"
1-8	220	"	580	"	900	"
1-12	240	"	640	"	1,000	"

NOTES:

1. These torque values are to be used for all Simplicity hardware excluding: locknuts, self-tapping screws, thread forming screws, and sheet metal screws.
2. Unless otherwise noted on assembly drawings all torque values must meet this specification.

BOLT HEAD MARKING

S.A.E. GRADE:

2 

5 

8 

