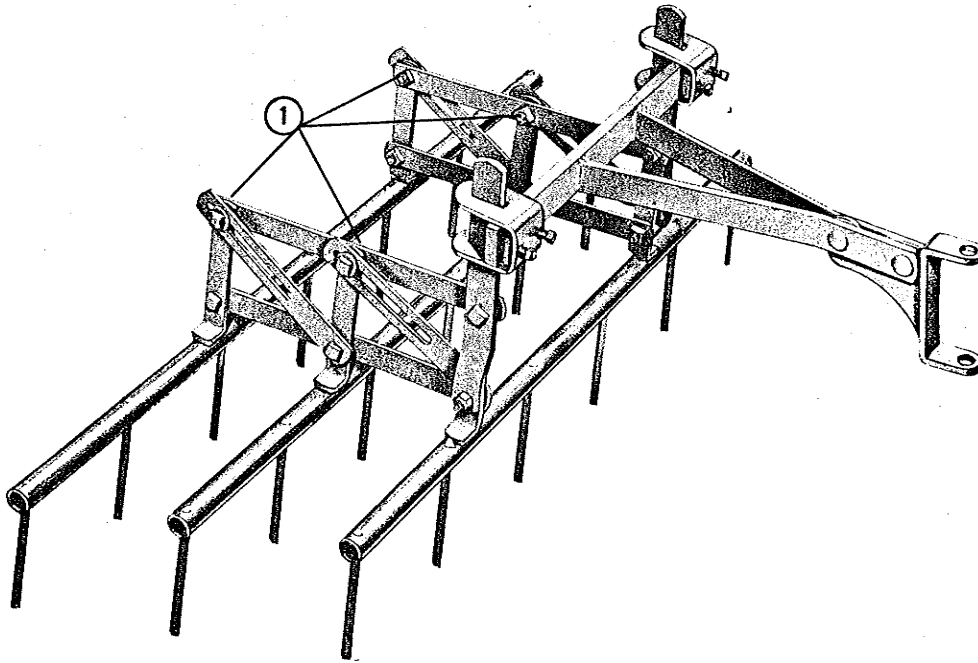


# *Simplicity*®

## INSTRUCTIONS AND PARTS LIST

# SPIKE TOOTH HARROW



ARTICLE 005

### PACKING AND ASSEMBLING INSTRUCTIONS

1. The spike tooth harrow is shipped complete in one bundle.
2. Assemble as shown, and attach to tractor with draw bar pin.

### OPERATING INSTRUCTIONS

1. For best results, operate spike tooth harrow with tractor in first or low speed.
2. Loosen nuts (1) and adjust teeth to desired angle, then tighten nut.

# How to Order Repair Parts for Simplicity Garden Tractors and Attachments

The Authorized Simplicity dealer from whom you purchased your tractor and attachments can supply you with any replacement parts you may need. For prompt service, be sure to see your dealer first. He will furnish the correct parts from his stock or order them for you if necessary. However, you may mail-order directly from the factory.

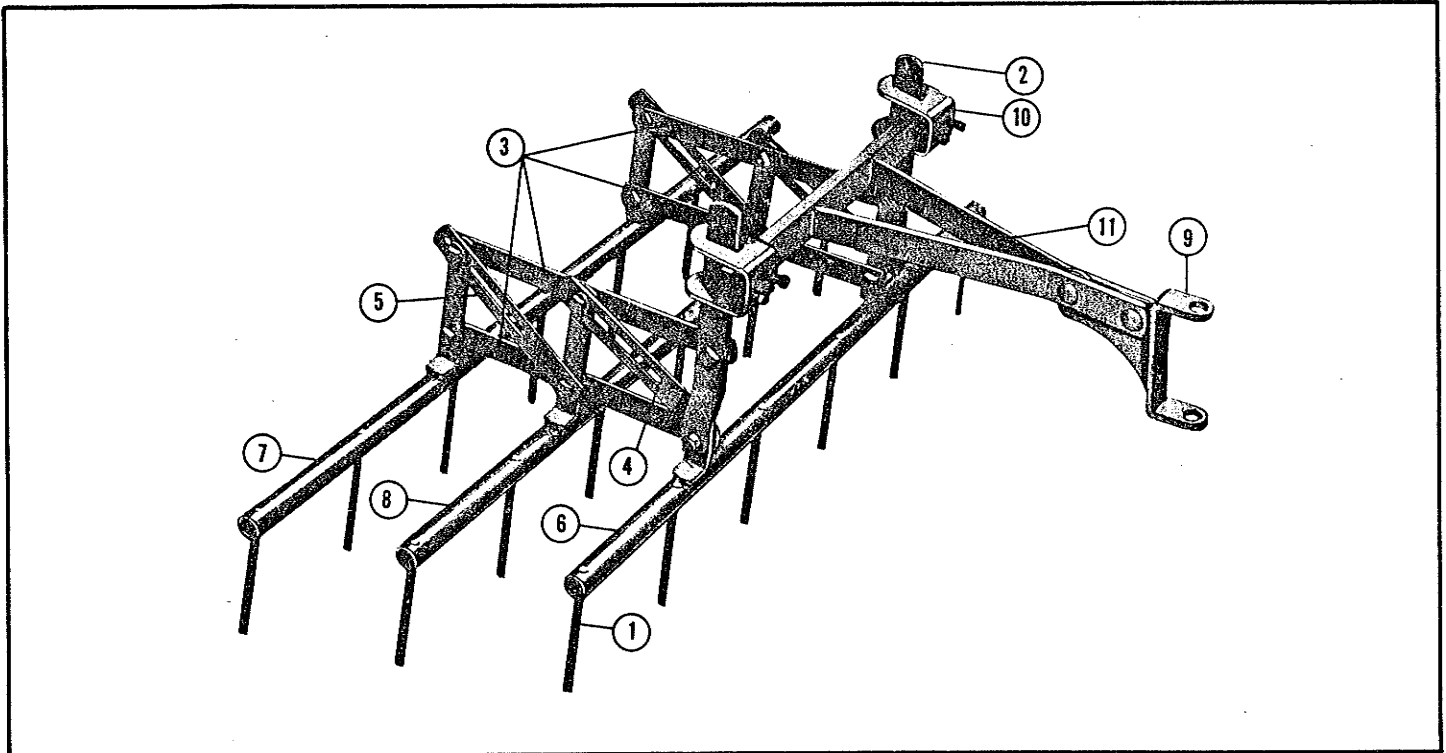
To have your order filled correctly and for prompt ser-

vice, please furnish the following information:

1. Model, number and year of purchase of tractor or attachment.
2. Part number, description, and quantity of part. (See parts list)

Be sure to include postage with your order. We do not pay transportation charges. Shipping weights are shown. Any excess will be promptly refunded.

*We reserve the right to change construction, specifications, prices and terms, without notice and without obligation as to tractors and attachments heretofore shipped.*



## SPIKE TOOTH HARROW REPAIR PARTS

ORDER BY PART NUMBER

Item No.	Part No.	Name of Part	Ship. Wt.	
			Lbs.	Oz.
1	8041001	Teeth .....		6
2	8041003	Standard .....	1	14
3	8041004	Parallel Bar .....	1	6
4	8041006	Tilt Adjustment Bar .....	1	
5	8041007	Tooth Adjustment Bar .....	1	
6	8042501	Front Pipe Assembly .....	4	8
7	8042502	Rear Pipe Assembly .....	5	2
8	8042503	Center Pipe Assembly .....	4	8
9	8261007	Draw Bar End .....	1	8
10	8271023	Shank Clamp .....	1	8
11	104002	Draw Bar Assembly .....	9	

**Simplicity**  
REG. U. S. PAT. OFF.

# SPIKE TOOTH HARROW

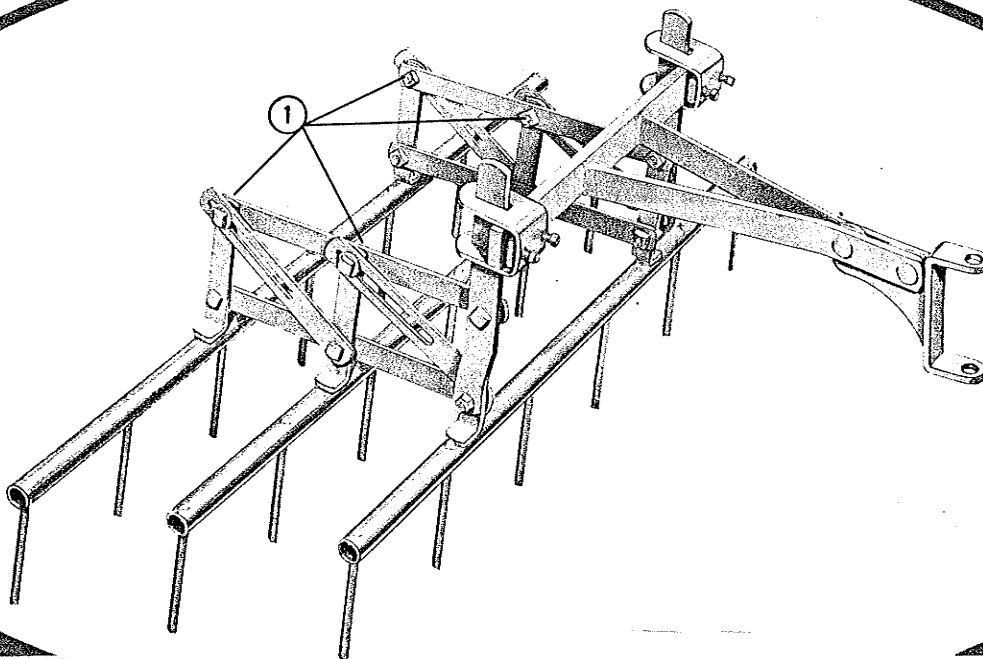
## INSTRUCTIONS AND PARTS LIST

### PACKING AND ASSEMBLING INSTRUCTIONS

1. The spike tooth harrow is shipped complete in one bundle.
2. Assemble as shown, and attach to tractor with draw bar pin.

### OPERATING INSTRUCTIONS

1. For best results, operate spike tooth harrow with tractor in first or low speed.
2. Loosen nuts (1) and adjust teeth to desired angle, then tighten nut.



ARTICLE 990005

# How to Order Repair Parts for Simplicity Garden Tractors and Attachments

The Authorized Simplicity dealer from whom you purchased your tractor and attachments can supply you with any replacement parts you may need. For prompt service, be sure to see your dealer first. He will furnish the correct parts from his stock or order them for you if necessary. However, you may mail-order directly from the factory.

To have your order filled correctly and for prompt ser-

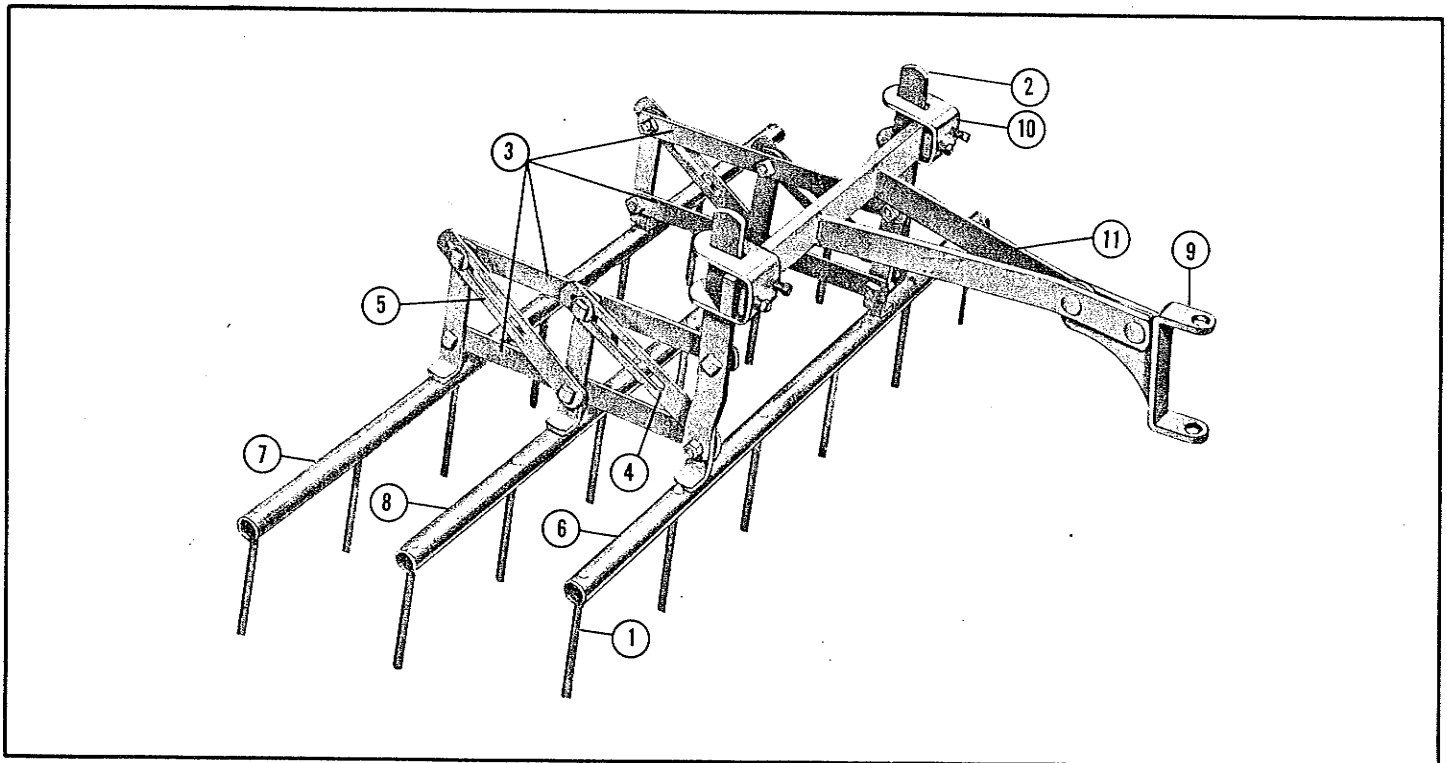
vice, please furnish the following information:

1. Model, number and year of purchase of tractor or attachment.
2. Part number, description, and quantity of part. (See parts list)

Be sure to include postage with your order. We do not pay transportation charges. Shipping weights are shown. Any excess will be promptly refunded.

We reserve the right to change construction, specifications, prices and terms, without notice and without obligation as to tractors and attachments heretofore shipped.

PRICES SHOWN ARE U.S.A. PRICES. PRICES OUTSIDE OF U.S.A. SUBJECT TO LOCAL IMPORT DUTIES, TAXES, ETC.



## SPIKE TOOTH HARROW REPAIR PARTS

ORDER BY PART NUMBER

Item No.	Part No.	Name of Part	Ship. Wt.		Price Each
			Lbs.	Oz.	
1	DH-A1	Teeth <i>8041001</i>		6	\$ .15
2	DH-A3	Standard <i>8041003</i>	1	14	.55
3	DH-A4	Parallel Bar <i>8041004</i>	1	6	.50
4	DH-A6	Tilt Adjustment Bar <i>8041006</i>	1		.45
5	DH-A7	Tooth Adjustment Bar <i>8041007</i>	1		.45
6	DH-BX1	Front Pipe Assembly <i>8042501</i>	4	8	3.30
7	DH-BX2	Rear Pipe Assembly <i>8042502</i>	5	2	3.40
8	DH-BX3	Center Pipe Assembly <i>8042503</i>	4	8	3.30
9	SS-A7A	Draw Bar End <i>8261007</i>	1	8	1.05
10	SSA-A23	Shank Clamp <i>8271023</i>	1	8	.65
11	104002	Draw Bar Assembly	9		3.10

# How to Order Repair Parts for Simplicity Garden Tractors and Attachments

The Authorized Simplicity dealer from whom you purchased your tractor and attachments can supply you with any replacement parts you may need. For prompt service, be sure to see your dealer first. He will furnish the correct parts from his stock or order them for you if necessary. However, you may mail-order directly from the factory.

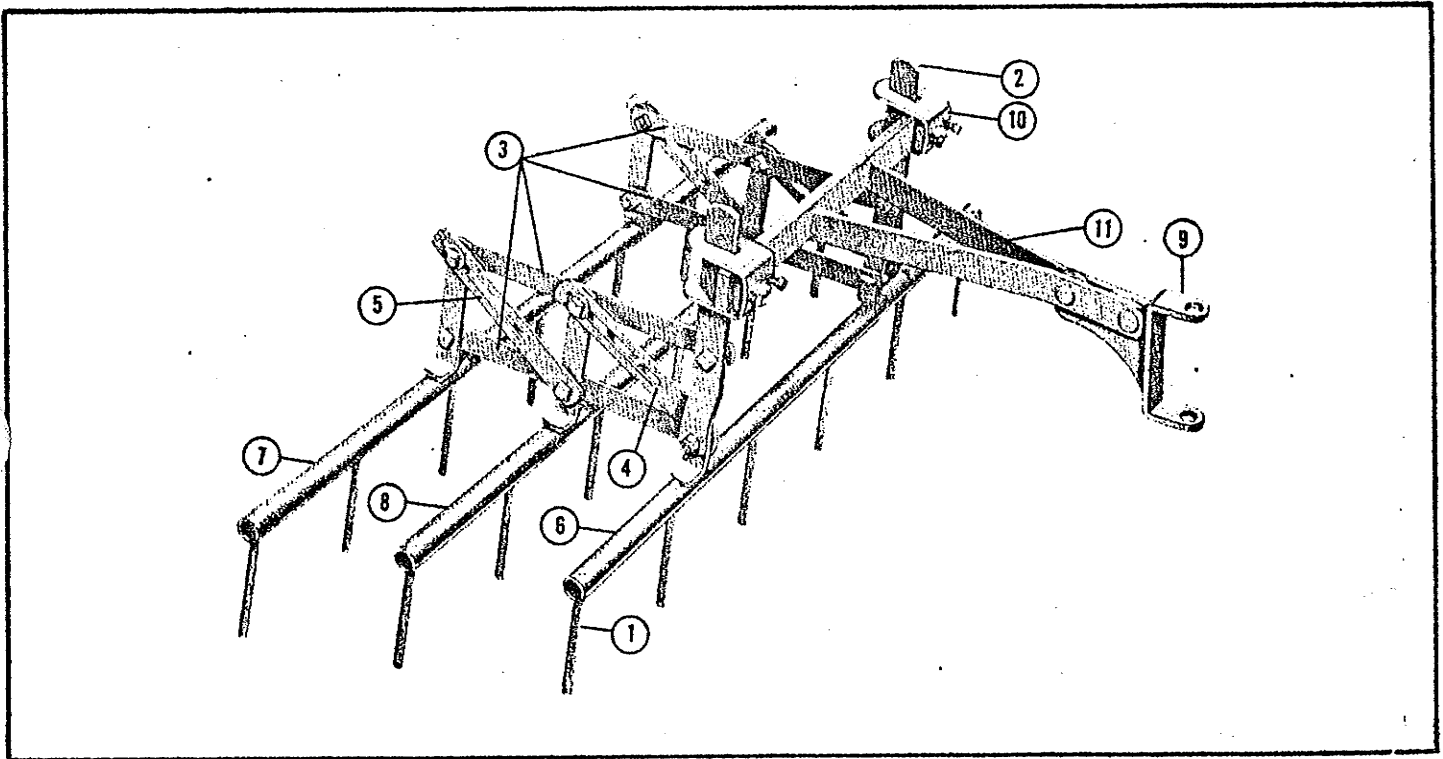
To have your order filled correctly and for prompt ser-

vice, please furnish the following information:

1. Model, number and year of purchase of tractor or attachment.
2. Part number, description, and quantity of part. (See parts list)

Be sure to include postage with your order. We do not pay transportation charges. Shipping weights are shown. Any excess will be promptly refunded.

We reserve the right to change construction, specifications, prices and terms, without notice and without obligation as to tractors and attachments heretofore shipped.



## SPIKE TOOTH HARROW REPAIR PARTS

ORDER BY PART NUMBER

Item No.	Part No.	Name of Part	Ship. Wt.	
			Lbs.	Oz.
1	DH-A1	Teeth ..... 8041001		6
2	DH-A3	Standard ..... 8041003	1	14
3	DH-A4	Parallel Bar ..... 8041004	1	6
4	DH-A6	Tilt Adjustment Bar ..... 8041006	1	
5	DH-A7	Tooth Adjustment Bar ..... 8041007	1	
6	DH-BX1	Front Pipe Assembly ..... 8042501	4	8
7	DH-BX2	Rear Pipe Assembly ..... 8042502	5	2
8	DH-BX3	Center Pipe Assembly ..... 8042503	4	8
9	SS-A7A	Draw Bar End ..... 8261007	1	8
10	SSA-A23	Shank Clamp ..... 8271023	1	8
11	104002	Draw Bar Assembly .....	9	

