

Owner's Operating Service Instruction Manual

10¢

Model No.
184-830A

- ASSEMBLY
- OPERATION
- REPAIR PARTS

18" ELECTRIC ROTARY MOWER

WARRANTY

For one year from date of purchase, MTD Products Inc will replace for the original purchaser, free of charge, F.O.B. factory or authorized service firm, any part or parts found to be defective in material or workmanship. All transportation charges on parts submitted for replacement under this warranty must be paid by the purchaser. This warranty does not include replacement of parts which become inoperative through misuse, excessive use, accident, neglect, improper maintenance or alterations by unauthorized persons. This warranty does not include the engine, motor, battery, battery charger or any component parts thereof. For service on these units, refer to the applicable manufacturer's warranty.

The above warranty will apply only to the original owner and will be effective only if the warranty card has been properly processed. It will not apply where the unit has been used commercially.

Warranty service is available through your local authorized service dealer or distributor. **UNDER NO CIRCUMSTANCES WILL THE RETURN OF A COMPLETE UNIT BE ACCEPTED BY THE FACTORY UNLESS PRIOR WRITTEN PERMISSION HAS BEEN EXTENDED.**

I M P O R T A N T

SAFE OPERATION PRACTICES FOR WALK-BEHIND MOWERS

TRAINING

1. Read the Operating and Service Instruction Manual carefully. Be thoroughly familiar with the controls and the proper use of the equipment.
2. Never allow children to operate a power mower.
3. Keep the area of operation clear of all persons, particularly small children and pets.

PREPARATION

1. Thoroughly inspect the area where the equipment is to be used and remove all stones, sticks, wire, bones and other foreign objects.
2. Do not operate equipment when barefoot or wearing open sandals. Always wear substantial footwear.
3. Check the fuel before starting the engine. Do not fill the gasoline tank indoors, when the engine is running, or while the engine is still hot. Wipe off any spilled gasoline before starting the engine.
4. Disengage the self-propelled mechanism or drive clutch on units so equipped before starting the engine (motor).
5. Never attempt to make a wheel adjustment while the engine (motor) is running.
6. Mow only in daylight or in good artificial light.
7. Never operate the equipment in wet grass. Always be sure of your footing; keep a firm hold on the handle and walk, never run.

OPERATION

1. Do not change the engine governor settings or overspeed the engine.
2. Do not put hands or feet near or under rotating parts. Keep clear of the discharge opening at all times.
3. Stop the blade(s) when crossing gravel drive, walks or roads.
4. After striking a foreign object, stop the engine (motor), remove the wire from spark plug, thoroughly inspect the mower for any damage, and repair the damage before restarting and operating the mower.

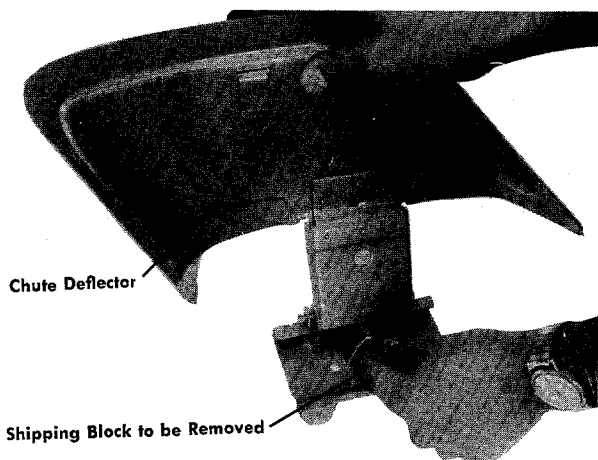
5. If the equipment should start to vibrate abnormally, stop the engine (motor) and check immediately for the cause. Vibration is generally a warning of trouble.
6. Stop the engine (motor) whenever you leave the equipment, before cleaning the mower housing, and when making any repairs or inspections.
7. When cleaning, repairing or inspecting, make certain the blade and all moving parts have stopped. Disconnect the spark plug wire, and keep the wire away from the plug to prevent accidental starting.
8. Do not run the engine indoors.
9. Shut the engine (motor) off and wait until the blade comes to a complete stop before removing the grass catcher or unclogging chute.
10. Mow across the face of slopes, never up-and-down. Exercise extreme caution when changing direction on slopes. Do not mow excessively steep slopes.
11. Always disconnect electric mowers (line operated) before cleaning, repairing or adjusting.
12. Never operate mower without proper guards, plates or other safety protective devices in place.
13. Keep washout ports and other mower-housing service openings closed when mowing.

MAINTENANCE AND STORAGE

1. Check the blade and engine mounting bolts at frequent intervals for proper tightness.
2. Keep all nuts, bolts, and screws tight to be sure the equipment is in safe working condition.
3. Never store the equipment with gasoline in the tank inside of a building where fumes may reach an open flame or spark. Allow the engine to cool before storing in any enclosure.
4. To reduce fire hazard, keep the engine free of grass, leaves, or excessive grease.
5. Check the grass catcher bag frequently for wear or deterioration. Replace with new bag for safety protection.

CAUTION

Please note that the chute deflector on your mower is in an upright position. It is held in that position by a shipping block. This block is used for shipping purposes only. It must be removed and discarded before your mower is put into operation.



ASSEMBLY

Your new mower is shipped preassembled with the exception of the handle.

1. Remove lawn mower and all parts from carton. Make certain that all loose parts and literature are removed from carton before carton is discarded.
2. Assemble the upper and lower handle parts with cap screws and locknuts provided in parts bag.
3. Place one rubber ring on the upper right hand side and one rubber ring on the lower right hand side of the handle.
4. Holes at the bottom of the handle are to be fitted over studs located in front of each rear wheel mounting position.
5. The electric motor supply cord is secured to the handle by passing the outlet plug through the rubber rings.

ELECTRIC POWER SUPPLY

Any convenient 110-120 volt 60 cycle A.C. outlet or receptacle may be used for your source of power. This outlet may be located either out doors or indoors. If an inside receptacle is used, the extension cord can be taken out either through the doorway or a window. To avoid blowing fuses, pick an outlet that is not overloaded. Your mower will operate satisfactorily on a circuit that is fused for 15 amperes. Do not use over-size fuses without consulting your power company.

OPERATING INSTRUCTIONS

1. Read all instructions before attempting to operate your mower. To do so will enable you to get maximum service and performance.
2. Before starting the motor, place mower where the blade can rotate freely. Do not attempt to start the motor while the mower is standing in high grass.
3. After the extension cord is attached (extension cord is not provided with the mower), the motor can be started by moving the toggle switch to the start position. The switch must be held in this position for several seconds. The motor is stopped by moving the toggle switch to the stop position.

The toggle switch is a dual purpose safety switch. It serves as a safety device, and it prevents overloading of the motor. If, during the mowing operation, the motor becomes overloaded or overheated, it will automatically cut out. After a period of several minutes, and when the blade has stopped rotating, the motor may again be started by moving the toggle switch to the start position. If the motor temperature still exceeds safe level, the motor will continue to cut out until the temperature has reached a safe level. If the motor cuts out too frequently, check the following:

1. Mower may be set too low — raise the cutting height.
2. Cutter blades may be too dull — sharpen cutter blades.
3. Voltage may be too low — have local power company check voltage at your power source.

If during the mowing operation, the power is disconnected, the mower will not resume operation by merely reconnecting the extension cord to the power source. After power is again connected the toggle switch must again be moved to the start position.

CAUTION

The blades turn silently. After the switch has been turned off, the blades will continue to rotate for a period of fifteen seconds.

NOTE

This mower is designed for lighter service than many of the gasoline powered mowers. If thick, heavy grass is encountered, the operator should reduce his walking speed to compensate for the heavier job to be done.

CAUTION

Do not at any time make any adjustments to your mower without first checking the following:

1. Turn the toggle switch to the OFF position.
2. Disconnect the extension cord.
3. Make sure the blade has stopped rotating.

CUTTING HEIGHT

Adjustment may be made by removing and moving wheel studs to desired position. Cutting heights will be raised as wheel studs are moved to a lower hole and lowered as wheel studs are moved to a higher hole in the deck. All wheel studs must be positioned in a relative position to the deck.

LUBRICATION

Wheels — Wheel bearings are of self lubricating Fortiflex. They require no lubrication. If your unit is provided with optional ball bearing wheels, lubricate at least once a season with light oil.

Motor — The motor has been pre-oiled and will not require further lubrication, for approximately one year. After that time, five drops of a good grade of light oil (SAE 10 or 20) should be placed in the lubricating holes. One is under the top canopy and the other is on the end frame of the motor where it extends through the mower deck. If necessary, remove the blade assembly to reach the lower lubricating hole. **DO NOT OVER LUBRICATE.**

Protective Shield — The pivot points on the protective shield should be lubricated periodically with light oil to prevent any rust or binding.

Chute Deflector — The torsion spring and pivot point should be lubricated periodically with light oil to prevent any rust or binding. Deflector must work freely.

MAINTENANCE

Cutting Blade — A sharp edge must be maintained on the cutter blade for efficient mowing. They are easily removed for sharpening by loosening the locknut from the cutter blade assembly. When sharpening, follow the original angle of grind as a guide. It is extremely important that each cutting edge receives an equal amount of grinding to prevent an unbalanced blade. An unbalanced blade will cause excessive vibration when rotating at high speeds and may cause damage to the motor or the mower. Upon reassembly, make certain that all parts are assembled as shown in the diagram. All parts must be tightened securely. To insure safe operation of your unit, ALL nuts and bolts must be checked periodically for correct tightness.

Deck — The underside of the mower deck should be cleaned after each period of use as grass clippings, leaves, dirt and other matter will accumulate. This accumulation is undesirable as it will invite rust and corrosion and may cause an uneven discharge of grass clippings at the next mowing.

Storage — The following steps should be taken to prepare the mower for storage.

1. Clean and lubricate mower thoroughly as described in the preceding instructions.
2. Coat mower's cutting blade with chassis grease to prevent rusting.
3. Place blocks under deck to raise tires clear of floor.
4. Store mower in dry, clean area.

MOWING HINTS

For best results, do not cut wet grass. It tends to stick to the underside of the mower thus preventing proper discharge of grass clippings. If heavy wet grass must be cut, reduce walking speed to allow for more effective distribution of the clippings.

New grass should be treated as wet grass. Otherwise, a normal walking speed is about the right pace for efficient mowing.

The best mowing pattern is one that allows the clippings to discharge toward the uncut part of the lawn. This permits recutting the clippings to further pulverize them. The lawn should be cut in the fall as long as there is growth.

NOTE

The manufacturer DOES NOT recommend the use of any accessory on this rotary mower other than those manufactured by MTD Products Inc.

NOTE

It is **not** recommended that a grass catcher be used on the mower, because of the slow blade speed (1725 R.P.M.).

GRASS CATCHER Model No. 194-003A is available as optional equipment for the mower shown in this manual.

WARNING:

1. The mower should not be operated without the entire grass catcher or chute deflector in place.
2. The mower should not be operated without the protective shield on the rear of the deck in place.

NOTE:

Under normal usage bag material is subject to wear and should be checked periodically. Be sure any replacement bag complies with the mower manufacturer's recommendations.

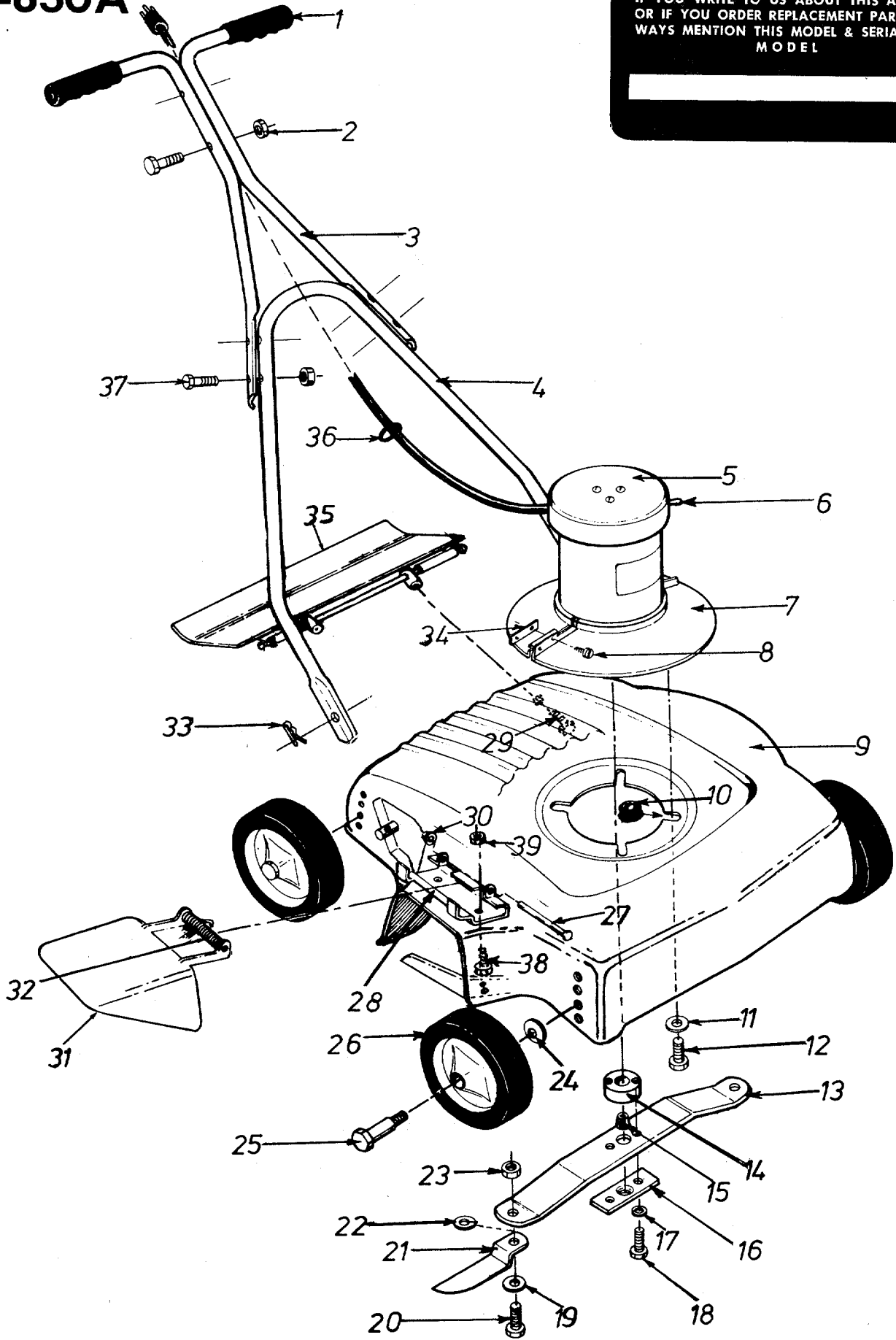
For replacement bags, use only factory authorized replacement bag No. 764-119.

★ IMPORTANT

After striking a foreign object, stop the motor. Thoroughly inspect the mower for any damage, and repair the damage before restarting and operating the mower.

184-830A

IF YOU WRITE TO US ABOUT THIS ARTICLE
OR IF YOU ORDER REPLACEMENT PARTS AL-
WAYS MENTION THIS MODEL & SERIAL NO
MODEL



PARTS LIST FOR MODEL 184-830A ROTARY MOWER

REF. NO.	PART NO.	COLOR CODE	DESCRIPTION	NEW PART
1	720-120		Grip	
2	712-107		Hex Center Locknut ¼-20 Thd.	
3	9363		Upper Handle	
4	7008		Lower Handle	
5	725-158		Motor	
6	WE108P072-H01		Switch—Motor	
7	9594—463		Drain Ring	
8	710-224		Hex "AB" Tapp. Scr. #10 x .50" Lg.	
9	11816—463		Deck Ass'y.—Comp.	
10	735-143		Rubber Grommet ½" I.D.	
11	736-300		Flat Washer .385" I.D. x .87" O.D. x .060	
12	710-216		Hex Hd. Cap Scr. ⅝-16 x .75" Lg.*	
13	7216		Blade Bar	
14	748-260		Blade Drive Collar	
15	7190		Bushing—Cone Fortiflex	
16	7633		Blade Clutch Plate	
17	736-329		Spring Lockwasher ¼" Scr.*	
18	710-206		Hex Hd. Cap Scr. ¼-20 x .88" Lg.*	
19	736-264		Flat Washer .344" I.D. x .62" O.D. x .063	
20	710-259		Hex Sems Scr. 5/16-18 x .62" Lg.*	
21	7217		Blade	
22	736-119		Spring Lockwasher 5/16" Scr.*	
23	712-158 7475		Hex Center Locknut 5/16-18 Thd. Blade Ass'y. Comp. (Includes Ref. Nos. 13, 14, 15, 16, 17, 18, 19, 20, 21, 22 & 23)	
24	736-105		Belleville Washer	
25	738-213		Shoulder Bolt .498" Dia. x 1.450 (Axle Bolt)	
26	734-481		Wheel Ass'y. Comp.	
27	711-555		Pivot Pin	
28	11130—463		Adapter Plate	
29	710-513		Hex Hd. Cap Scr. ¼-28 x .62" Lg. Nylock	
30	726-106		Push-on Flange ¼" Dia.	
31	11148—463		Chute Deflector	
32	732-253		Torsion Spring	
33	714-104		Hair Pin Cotter 5/16" Dia.	
34	712-225		Speed Nut—Twin Type	
35	11190—463		Protective Shield Ass'y. Comp.	
36	735-284		"O"-Ring .88" I.D. x 1.12" O.D.	
37	710-106		Hex Hd. Cap Scr. ¼-20 x 1¼" Lg.*	
38	710-289		Hex Hd. Cap Scr. ¼-20 x .50" Lg.*	
39	712-107		Hex Center Locknut ¼-20 Thd.	
40	11681—463		Chute Deflector Ass'y. Comp. (Includes Ref. Nos. 27, 28, 30, 31 & 32)	

*For faster service obtain standard nuts, bolts, and washers locally. If these items cannot be obtained locally, order by part number and size as shown on parts list.

(463—Top Flite Red)

When ordering parts if color or finish is important, use color code shown at left. (e.g. Top Flite Red Finish—11148 (463).)

PARTS INFORMATION

DEFECTIVE OR MISSING PARTS must be reported to the factory immediately. Such claims must include your model number and date of purchase.

POWER EQUIPMENT PARTS AND SERVICE

Parts and service for all MTD manufactured power equipment are available through the authorized service firms listed below. All orders should specify the model number of your unit, parts numbers, description of parts and the quantity of each part required.

A 1 Engine & Mower Co.
327 East 9th Street
Salt Lake City, Utah 84102

American Electric Ignition Co.
124 N. W. 8th Street
Oklahoma City, Oklahoma 73102

Auto Electric & Carburetor Co.
2525 4th Avenue, S.
P. O. Box 1948
Birmingham, Alabama 35233

Automotive Equipment Service Co.
3117 Holmes Street
Kansas City, Missouri 64109

Bailey's Rebuild Inc.
1325 E. Madison Street
Seattle Washington 98102

Bleckie, Inc.
7900 Lorain Avenue
Cleveland, Ohio 44102

Brown Equipment Distributor Inc.
110 Beech Street
Corydon, Indiana 47112

Bullard Supply
2409 Commerce Street
Houston, Texas 77003

Carl A. Anderson Co.
623 S. 16th Street
Omaha, Nebraska 68102

Catto & Putty, Inc.
P. O. Box 2408
510 Soledad Street
San Antonio, Texas 78205

Center Supply Company
6867 New Hampshire Avenue
Takoma Park, Maryland 20012

Dixie Sales Company
P. O. Box 1408
327 Battleground Avenue
Greensboro, North Carolina 27402

East Point Cycle & Key Shop
1617 Whiteway
East Point, Georgia 30044

Gamble Distributors
West End Avenue
Carthage, New York 13619

Garden Equipment Co., Inc.
6600 Cherry Avenue
Long Beach, California 90805

Gardenville Supply, Inc.
Pipersville, Pennsylvania 18947

Henry W. O'Neil & Assoc., Inc.
410 North Goodman Street
Rochester, New York 14609

Henzler, Inc.
2015 Lemay Ferry Road
St. Louis, Missouri 63125

Kenton Supply
8216 North Denver Avenue
Portland, Oregon 97217

Kimber's Inc.
115 W. Geddes St.
Syracuse, New York 13204

The Lawnmower Shop
1340 El Camino Real
San Carlos, California 94070

Marr Brothers
423 E. Jefferson
Dallas, Texas 75203

Mathews Auto Electric Co.
420 East 2nd Street
Tulsa Oklahoma 74120

McClure Lawn & Garden Supply
1114 Lexington Avenue
Mansfield, Ohio 44907

Memphis Cycle & Supply Co.
421 Monroe Avenue
Memphis Tennessee 38103

Morton B. Collins Co.
300 Birnie Avenue
Springfield, Massachusetts 01107

Moz-All of Florida, Inc.
365 Graco Avenue
Coral Gables, Florida 33146

BRIGGS & STRATTON, TECUMSEH AND PEERLESS PARTS AND SERVICE

Briggs & Stratton, Tecumseh and Peerless parts and service should be handled by your nearest authorized engine service firm. Check the yellow pages of your telephone directory under the listing *Engines — Gasoline*, Briggs & Stratton or Tecumseh Lauson — Power Products.

National Central, Div. of
Joe Sterling, Inc.
Drawer "D" 687 Seville Rd.
Wadsworth, Ohio 44281

Parts & Sales Inc.
2101 Industrial Pkwy.
Elkhart, Indiana 46514

Power Equipment Distributor
36463 So. Gratiot Avenue
Mt. Clemens, Michigan 48043

Power Lawn & Garden Equip. Co.
2551-2571 J. F. Kennedy Road
Dubuque, Iowa 52001

Radco Distributors
2403 Market Street
P. O. Box 3216
Jacksonville, Florida 32206

Raub Supply Company
James & Mulberry Sts.
Lancaster, Pennsylvania 17604

Richmond Battery & Ignition
P. O. Box 25369 — 957 Myers St.
Richmond, Virginia 23260

Smith Hardware Company
515 N. George Street
Goldsboro, North Carolina 27530

South Denver Lawn Equip. Co.
527 West Evans
Denver, Colorado 80223

Suhren Engine
8330 Earhart Blvd.
New Orleans, Louisiana 70118

Sutton's Lawn Mower Shop
Route 4, Box 343
North Little Rock, Arkansas 72117

Warner Equipment
7520 Lyndale Avenue, So.
Minneapolis, Minnesota 55423

Woodson Sales & Service
1702 North Sylvania
Ft. Worth, Texas 76111

WARRANTY PARTS AND SERVICE POLICY

The purpose of warranty is to protect the customer from defects in workmanship and materials, defects which are NOT detected at the time of manufacture. It does not provide for the unlimited and unrestricted replacement of parts. Use and maintenance are the responsibility of the customer. The manufacturer cannot assume responsibility for conditions over which it has no control. Simply put, if it's the manufacturer's fault, it's the manufacturer's responsibility; if it's the customer's fault, it's the customer's responsibility.

CLAIMS AGAINST THE MANUFACTURER'S WARRANTY INCLUDES

1. Replacement of Missing Parts on new equipment.
2. Replacement of Defective Parts within the warranty period.
3. Repair of Defects within the warranty period.

All claims MUST be substantiated with the following information:

1. Model Number of unit involved.
2. Date unit was purchased or first put into service.
3. Date of failure.
4. Nature of failure.