

Owner's Operating Service Instruction Manual

10¢

Model Nos.
136-402A
136-406A

- ASSEMBLY
- OPERATION
- REPAIR PARTS

26" RIDING MOWERS

IMPORTANT

It is suggested that this manual be read in its entirety before attempting to assemble or operate. Keep this manual in a safe place for future reference and for ordering replacement parts.

This unit is shipped WITHOUT GASOLINE or OIL. After assembly, see operating section of this manual for proper fuel and amount.

SAFE OPERATION PRACTICES FOR RIDING VEHICLES

1. Know the controls and how to stop quickly—**READ THE OWNER'S MANUAL.**
2. Do not allow children to operate vehicle. Do not allow adults to operate it without proper instruction.
3. Do not carry passengers. **Keep children and pets a safe distance away.**
4. Clear work area of objects which might be picked up and thrown.
5. Disengage all attachment clutches and shift into neutral before attempting to start engine.
6. Disengage power to attachment(s) and stop engine before leaving operator position.
7. Disengage power to attachment(s) and stop engine before making any repairs or adjustments.
8. Disengage power to attachment(s) when transporting or not in use.
9. Take all possible precautions when leaving vehicle unattended such as disengaging power-take-off, lowering attachments, shifting into neutral, setting parking brake, stopping engine and removing key.
10. Do not stop or start suddenly when going uphill or downhill. Mow up and down face of steep slopes; never across the face.
11. Reduce speed on slopes and in sharp turns to prevent tipping or loss of control. Exercise extreme caution when changing direction on slopes.
12. Stay alert for holes in terrain and other hidden hazards.
13. Use care when pulling loads or using heavy equipment.
 - A. Use only approved drawbar hitch points.
 - B. Limit loads to those you can safely control.
 - C. Do not turn sharply. Use care when backing.
 - D. Use counterweight(s) or wheel weights when suggested in owner's manual.
14. Watch out for traffic when crossing or near roadways.
15. When using any attachments never direct discharge of material toward bystanders nor allow anyone near vehicle while in operation.
16. Handle gasoline with care—it is highly flammable.
 - A. Use approved gasoline container.
 - B. Never remove cap or add gasoline to a running or hot engine or fill fuel tank indoors. Wipe up spilled gasoline.
 - C. Open doors if engine is run in garage—exhaust fumes are dangerous. Do not run engine indoors.
17. Keep the vehicle and attachments in good operating condition, and keep safety devices in place. Use guards as instructed in owner's manual.
18. Keep all nuts, bolts, and screws tight to be sure the equipment is in safe working condition.
19. Never store the equipment with gasoline in the tank inside a building where fumes may reach an open flame or spark. Allow engine to cool before storing in any enclosure.
20. To reduce fire hazard keep engine free of grass, leaves or excessive grease.
21. The vehicle and attachments should be stopped and inspected for damage after striking a foreign object, and the damage should be repaired before restarting and operating the equipment.
22. Do not change the engine governor settings or overspeed the engine.
23. When using the vehicle with mower, proceed as follows:
 - (1) Mow only in daylight or in good artificial light.
 - (2) Never make a cutting height adjustment while engine is running if operator must dismount to do so.
 - (3) Shut engine off when removing grass catcher and/or unclogging chute.
 - (4) Check blade mounting bolts for proper tightness at frequent intervals.
24. Check grass catcher bags frequently for wear or deterioration. Replace with new bags for safety protection.
25. Look behind to make sure the area is clear before placing the transmission in reverse and backing up.

INDEX

Safe Operation Practices.....	2	Reversing Transmission.....	16
Index and Steering Wheel Assembly.....	3	Illustrated Parts for Main Body.....	17
Controls.....	4	Parts List for Main Body.....	18
Operating Instructions.....	6	Illustrated Parts for Frame View.....	19
Maintenance and Adjustments.....	7	Parts List for Frame View.....	20
Lubrication.....	11	Illustrated Parts for Deck and Belt System.....	21 & 23
Trouble Shooting Chart.....	13	Parts List for Deck and Belt System.....	22 & 24
Schematic of Electrical System.....	14	Parts Information.....	Back Cover
Differential Assembly.....	15		

GRASS CATCHER Model No. 196-015A is available as optional equipment for the mowers shown in this manual.

WARNING

The mower should not be operated without the entire grass catcher or chute deflector in place.

NOTE

Under normal usage bag material is subject to wear, and should be checked periodically. Be sure any replacement bag complies with the mower manufacturer's recommendations.

For replacement bags, use only factory authorized replacement bag No. 764-0121.

IMPORTANT

After striking a foreign object, stop the engine. Remove wire from spark plug, thoroughly inspect the mower for any damage, and repair the damage before restarting and operating the mower.

The steering wheel with the necessary hardware, are easily assembled to the machine. On the electric start models, the battery must be activated and installed as outlined in this section.

TIRE PRESSURE

FOR SHIPPING PURPOSES, THE TIRES ON YOUR UNIT MAY BE OVER-INFLATED. TIRE PRESSURE SHOULD BE REDUCED BEFORE UNIT IS PUT INTO OPERATION. PRESSURE SHOULD BE APPROXIMATELY 15 P.S.I. EQUAL TIRE PRESSURE SHOULD BE MAINTAINED ON ALL TIRES. MAXIMUM TIRE PRESSURE IS 30 P.S.I.

ASSEMBLY

NOTE

Reference to right-hand or left-hand side of machine is from the driver's seat facing forward.

STEERING WHEEL ASSEMBLY See figures 1, 2 and 3.

NOTE

Due to vibration during shipment, it is possible that the steering shaft on your unit may have dropped to a position where alignment of parts is difficult. This must be kept in mind during the assembly operation.

1. Check the upper and lower hex bearings, be sure they are seated and in position. See figure 1.
2. Place your hand under the front of the unit, push on the steering shaft assembly.
3. Hold up the shaft assembly. Place the steering tube assembly on the shaft and start the hex screw through the hole. See figure 2.
4. Fasten the tubing assembly to the steering shaft assembly with hex screw and hex nut provided.
5. Place the cover over the steering tube assembly.
6. Place the steering wheel on the tubing assembly and fasten with belleville washer and hex nut. See figure 1.
7. Again, it may be necessary to raise the steering shaft assembly in order to put the hex nut on.
8. Place the steering wheel cap on by hand. See figure 3.

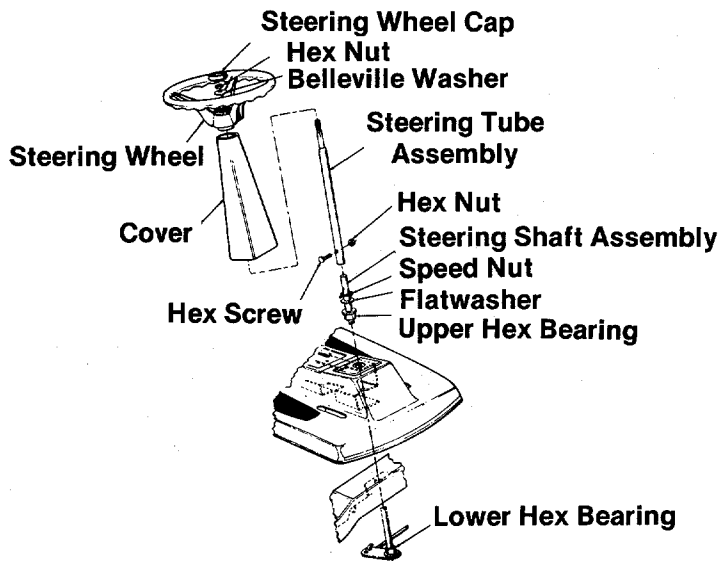


FIGURE 1. STEERING ASSEMBLY

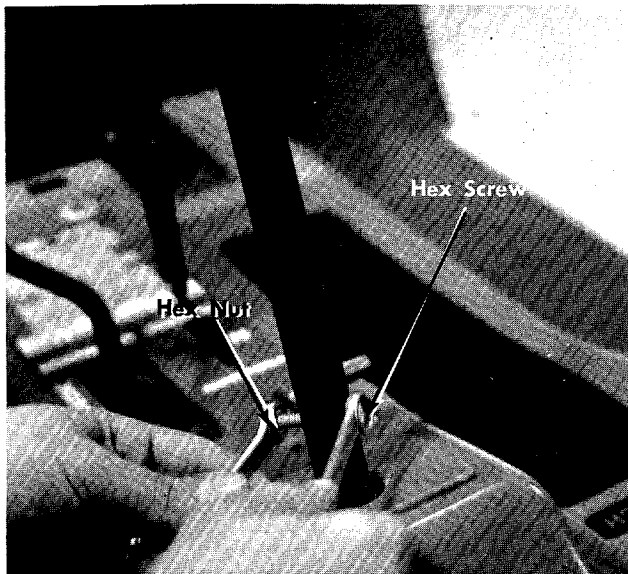


FIGURE 2. STEERING TUBE ASSEMBLY

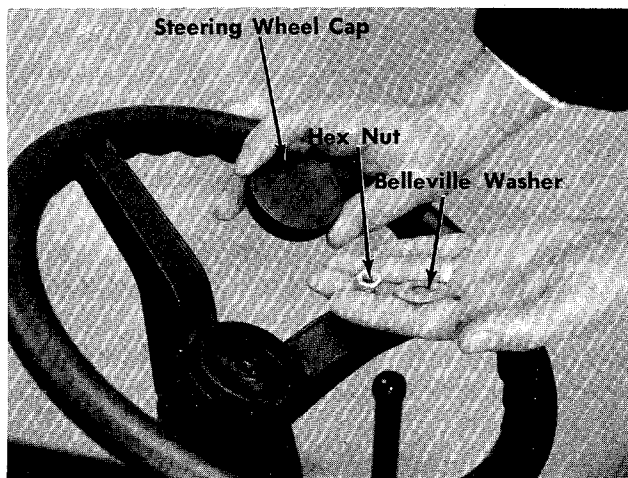


FIGURE 3. STEERING WHEEL ASSEMBLY

CONTROLS See figures 4 and 7.

This manual should be read in its entirety before you operate your Riding Mower. The more you know and understand about the machine and its operation, the better job it will do for you. While reading the manual, compare the illustrations with your mower to familiarize yourself with the locations of various controls, lubrication points, attachments and adjustment features.

Study the operating instructions and safety precautions thoroughly to insure proper functioning of your mower and to prevent injury to yourself and others. Be sure to save this manual for future reference.

THROTTLE CONTROL

The throttle control is used to regulate the engine speed and to activate the choke on the engine. To get maximum efficiency from cutting, the throttle should be in the FAST position when operating the mower. Pushing the throttle all the way forward, past FAST will choke the engine. See figure 4.

IGNITION KEY

Recoil Model. The key must be turned to the ON position before you pull the recoil handle to start the engine. Remove the key when the mower is not in use. Turn the key to the left to the OFF position to stop the engine. See figures 8 and 9.

Electric Model. The key must be turned to the START position to start the engine. After the engine is running let the key return to the ON position. Remove the key when the mower is not in use. Turn the key to the OFF position to stop the engine. See figure 4.

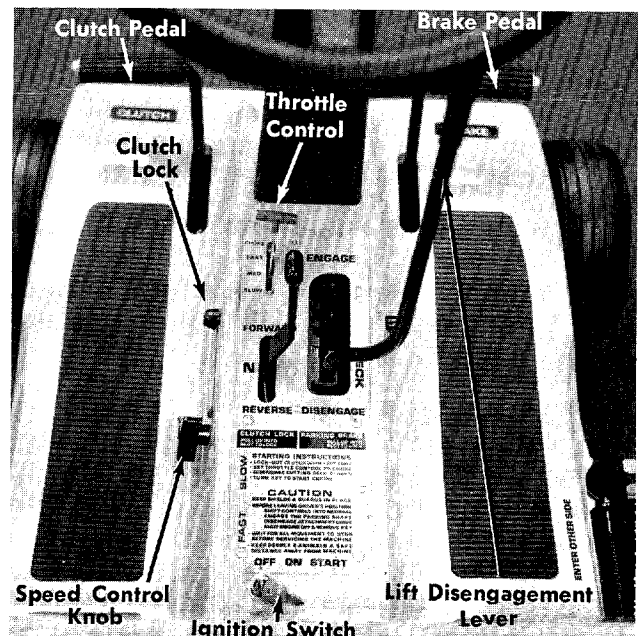


FIGURE 4. CONTROLS

LIFT AND DISENGAGEMENT LEVER

The lift and disengagement lever is used to raise and lower the cutting deck, set the cutting height, and disengage the cutting blades.

Move the lever to the right and move the lever all the way back and lock it to disengage the blades. The lever may be set in any one of the five cutting height positions.

INTERLOCKS (Not shown)

An interlock safety switch is located on the clutch pedal and the lift and disengagement lever.

The clutch pedal must be depressed down and locked.

The lift and disengagement lever must be in the STOP position (all the way back) before the engine can be started. Failure to follow these instructions will prevent starting.

GEAR SHIFT LEVER

The gear shift lever has three positions, FORWARD, NEUTRAL and REVERSE. The clutch pedal must be depressed and the riding mower must not be moving when shifting gears. Do not force the shift lever. Release the clutch pedal slightly to line up the shifting collar in the transmission. Then try to shift gears.

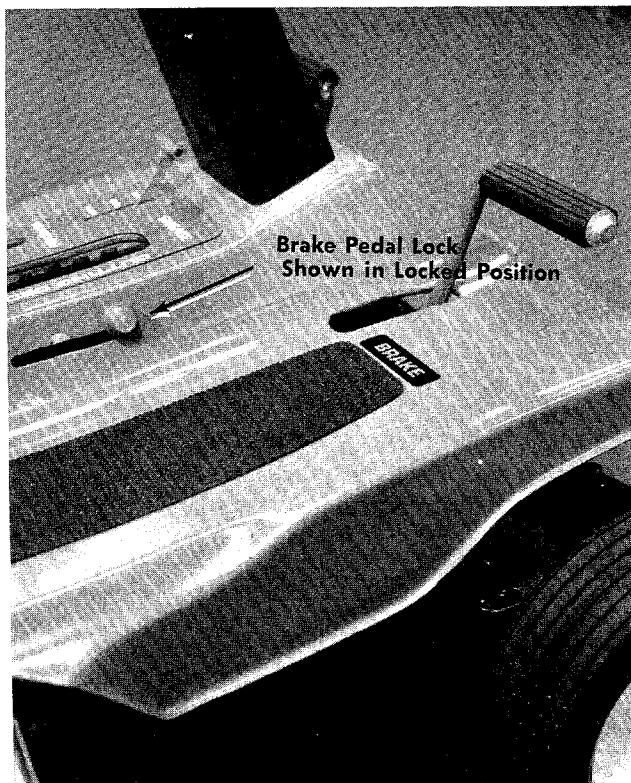


FIGURE 5. BRAKE PEDAL LOCK

BRAKE

To operate the brake, depress the right pedal all the way down. To lock the brake in park position, depress the right pedal all the way down and lift the brake lock. Pedal will stay in the depressed position. To release the parking brake, depress the pedal. See figure 5.

CLUTCH PEDAL

The clutch pedal on the left side when depressed, disengages the engine from the transmission. It can be held in the disengaged position by lifting the clutch lock. To stop the mower, depress the clutch and brake pedals. See figure 6.

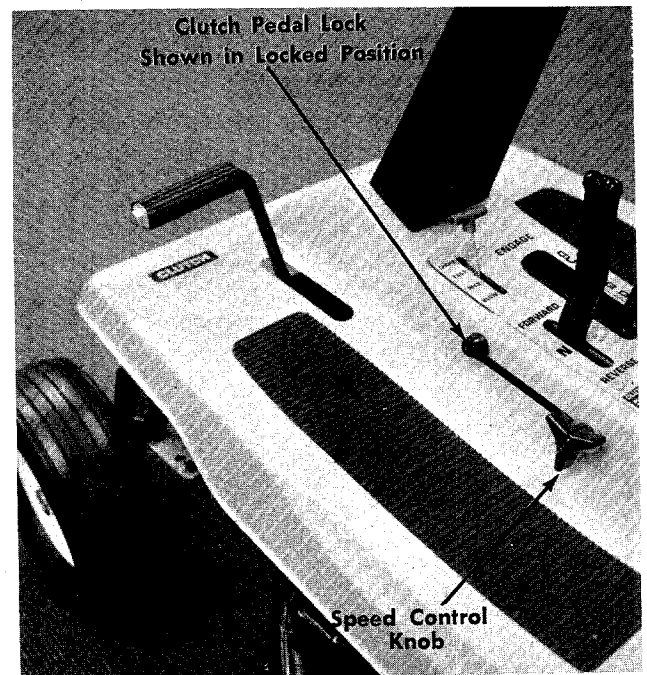


FIGURE 6. CLUTCH PEDAL LOCK

SPEED CONTROL KNOB

The speed control knob allows you to regulate the ground speed of the riding mower. See figure 6.



The further forward the speed control knob is set, the slower the ground speed.

OPERATING INSTRUCTIONS

CAUTION

1. Keep all shields and guards in place.
2. Before leaving operator's position:
 - Shift controls into neutral
 - Set parking brake (Brake Lock)
 - Disengage attachment drive
 - Shut off engine
 - Remove ignition key
3. Wait for all movement to stop before servicing machine.
4. Keep people and pets a safe distance away from machine.

STARTING THE ENGINE

1. Be sure the crankcase is filled with oil as recommended in the engine manual and put regular gasoline in the gasoline tank.
2. Attach the wire to the spark plug.
3. Depress the clutch pedal and lock it down.
4. Move the lift and disengagement lever back to the disengaged position and lock it.
5. Set the throttle control lever in the CHOKE position.
6. Turn the ignition key to the ON position. Twist the recoil starter handle until it is free and pull it with a quick steady motion. After the engine starts, return the recoil starter handle. Twist it until it locks. See figures 8 and 9.



CAUTION

Parking brake **must** be disengaged before unit is put into motion.



NOTE

Unit is equipped with separate brake and clutch pedals. To efficiently stop, it is necessary to disengage the clutch when applying the brakes.



NOTE

If these instructions are not followed the engine will stop running when the clutch or blade are engaged.

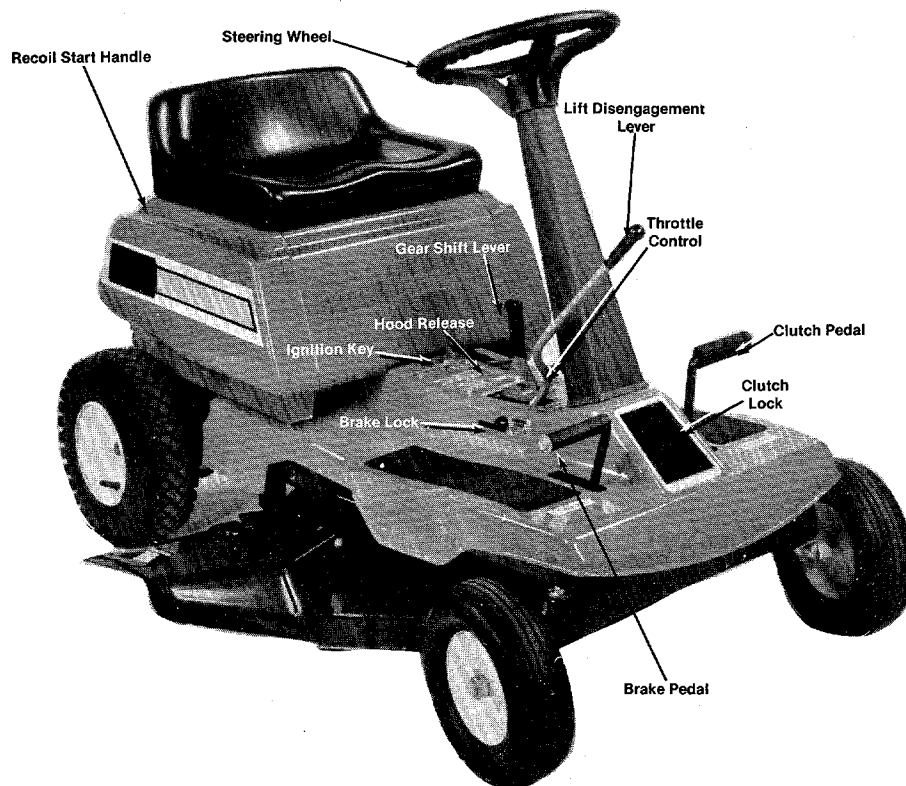


FIGURE 7. CONTROLS



FIGURE 8. RECOIL HANDLE

Slowly return the throttle to the running position as soon as the engine starts.

8. To stop either model, turn the ignition key to the OFF position. Remove the key when the rider is not in use.

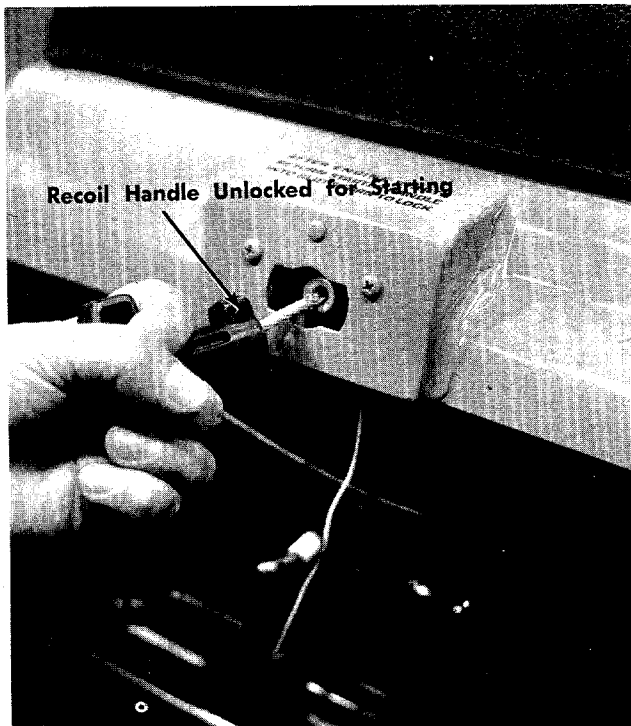


FIGURE 9. RECOIL HANDLE

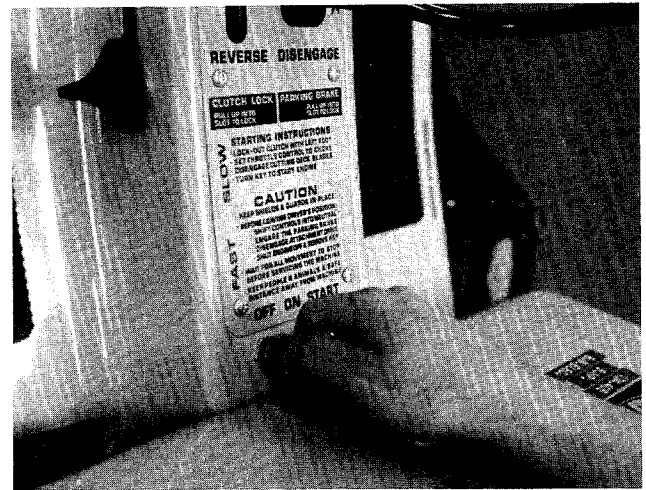


FIGURE 10. STARTER SWITCH

PUTTING THE RIDING MOWER IN MOTION

1. Advance the throttle control from $\frac{3}{4}$ to full throttle to prevent strain on the engine and to operate the cutting blades.
2. Place the gear shift lever in either the FORWARD or REVERSE position.
3. Slowly release the clutch pedal.
4. To stop, depress the clutch and the brake pedals.
5. The blades can be engaged either while moving or while standing still. Move the lift and disengagement lever forward slowly until the blades are running.

STOPPING

Engine—Turn the ignition key to the left to the OFF position.

Rider—Depress the clutch and brake pedals.

Blades—Pull the lift and disengagement lever all the way back and lock it.

MAINTENANCE AND ADJUSTMENTS

THROTTLE CONTROL

To Check Operation:

1. Remove air cleaner.
2. Move throttle control lever to CHOKE position. The carburetor choke should be closed.
3. Move throttle control lever to STOP position. Lever should make good contact with stop switch.

To Adjust: See figure 11.

Place remote control lever on equipment in FAST (high speed) position.

Lever C on carburetor should be just touching choke arm at D. To adjust, loosen casing clamp screw A on blower housing. Move control casing B forward or backward until correct position is obtained. Tighten screw A.

Recheck operation of controls after adjustment. Replace air cleaner.

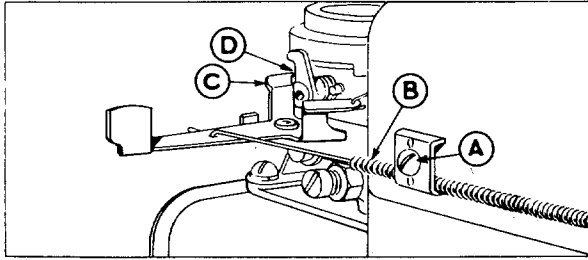


FIGURE 11. THROTTLE CONTROL ADJUSTMENT

CARBURETOR ADJUSTMENTS: See figure 12.

Minor carburetor adjustment may be required to compensate for differences in fuel, temperature, altitude and load.

Initial Adjustment:

Turn needle valve clockwise to close it. Then open 2 turns. This initial adjustment will permit the engine to be started and warmed up before making final adjustment.

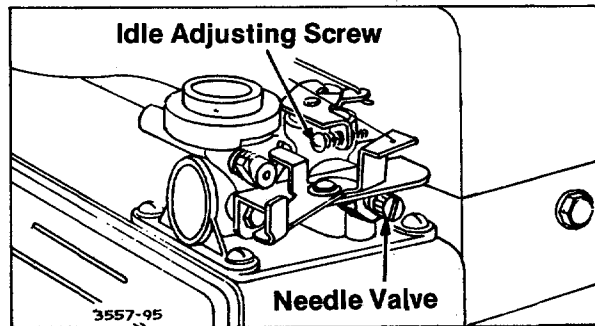


FIGURE 12. CARBURETOR ADJUSTMENT

Final Adjustment:

With engine running at normal operating speed (approximately 3000 RPM without load) turn needle valve clockwise until engine starts to lose speed (lean mixture). Then slowly turn needle valve counterclockwise past the point of smoothest operation, until engine just begins to run unevenly. This mixture will give best performance under load.

To check adjustment move engine control from SLOW to FAST speed. If engine tends to stall or die out, it usually indicates that the mixture is slightly lean and it may be necessary to open the needle valve slightly to provide a richer mixture. This richer mixture may cause a slight unevenness in idling.

CHAIN ADJUSTMENT: See figure 13.

After the first five hours of operation the initial slack should be removed from the chain. The chain should be tight enough so that it deflects approximately 1/2" when it is depressed with the thumb.

To Adjust:

The adjusting bolt is located under the frame, above the cutting deck on the right side of the mower.

Turn the adjusting bolt clockwise with an open end wrench until the chain reaches the proper tension.



NOTE

If the transmission mounting plate will not slide forward to adjust the chain tension, it may be necessary to loosen the four nuts mounting the transmission to the frame.

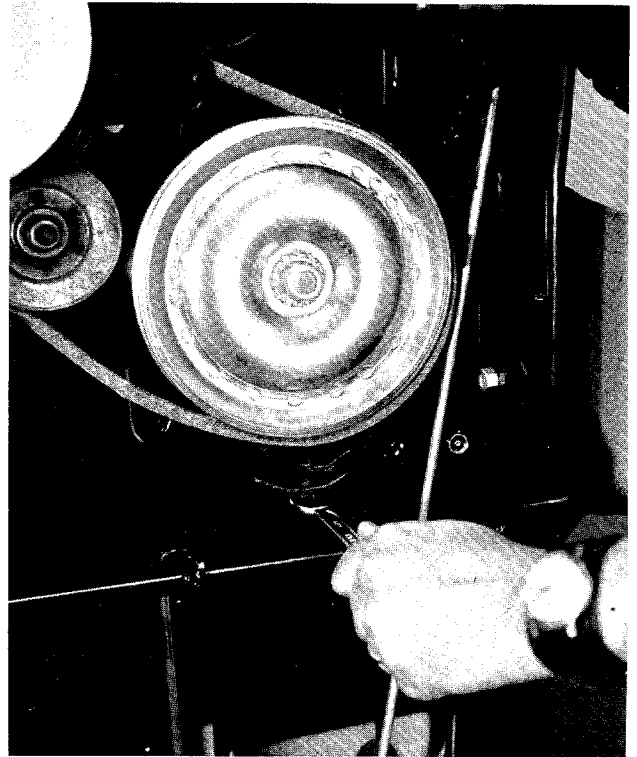


FIGURE 13. CHAIN ADJUSTMENT



NOTE

Deck was removed for photographing.

BRAKE ADJUSTMENTS: See figure 14.

To adjust the brake tighten the locknut one-half turn and then test the brakes.

The brake is located by the right rear wheel inside the frame.

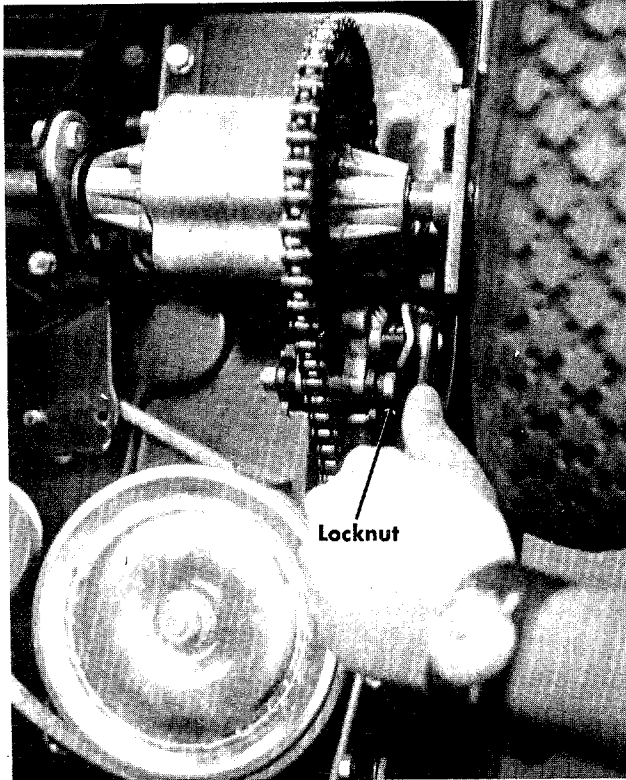


FIGURE 14. BRAKE ADJUSTMENT



NOTE

Deck was removed for photographing.

BLADES

WARNING

Disconnect the spark plug wire and remove the ignition key before removing the blades.

Sharp and balanced blades are essential for efficient mowing and long mower and engine life. When sharpening blades, file equal amounts of metal from each side. The blades should be balanced before they are reinstalled. An unbalanced blade will cause excessive vibration and undue wear on the mower and the engine. When reassembling, all parts must be installed in the proper order and fastened securely.

Remove the 3/8" bolt and lockwasher. Pull the blade and adapter off the mower deck. To remove the adapter from the blade, remove the two 5/16" bolts, lockwashers and nuts. See figure 15.

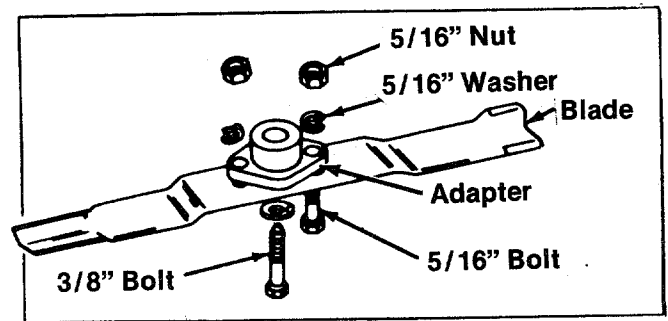


FIGURE 15. BLADE REMOVAL

MOWER DECK

The underside of the mower deck should be cleaned after each period of use as grass clippings, leaves, dirt and other matter will accumulate. This accumulation of grass clippings, etc., is undesirable as it will invite rust and corrosion and may cause an uneven discharge of grass clippings at the next mowing.

The deck may be cleaned by tilting the mower on its front wheels until the frame and the steering wheel supports the entire unit. Scrape clean with a suitable tool or by washing with a stream of water from a garden hose. Be sure to disconnect the spark plug wire and ground it while performing this maintenance.



NOTE

To insure safe operation, ALL nuts and bolts must be checked periodically for correct tightness.

PREPARING FOR BELT REMOVAL

1. To prevent gasoline from leaking from the engine, remove the fuel tank cap, place a piece of thin plastic over the neck of the fuel tank and screw on the cap.
2. Disconnect the spark plug wire and ground it against the engine.

To Remove the Deck Belt

- Step 1. Put the lift and disengagement lever into the ENGAGED position.
- Step 2. Remove two belt keepers at the engine pulley. See figure 16.
- Step 3. Remove two belt keepers at the deck pulley and shoulder bolt. See figures 17 and 18.
- Step 4. DISENGAGE the deck and unhook the belt from the engine pulley.

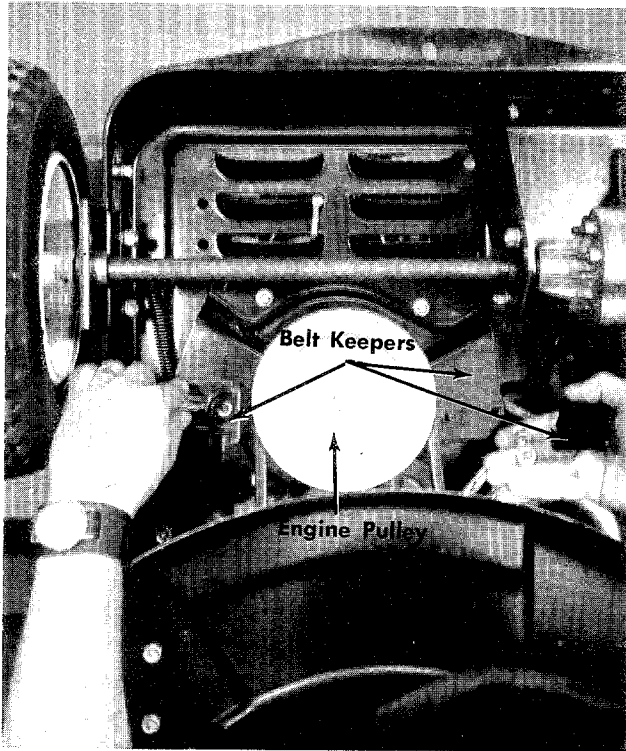


FIGURE 16. REMOVAL OF BELT KEEPERS

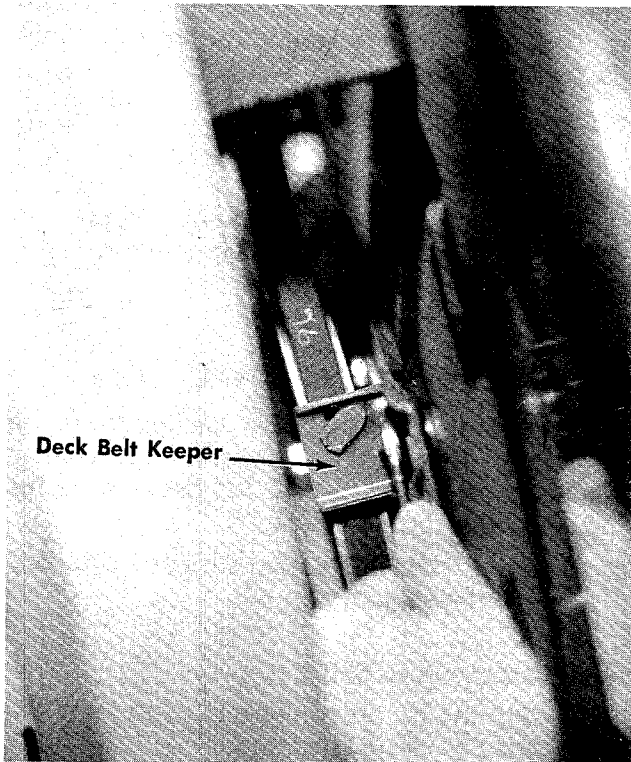


FIGURE 17. REMOVAL OF DECK BELT KEEPERS

Step 5. ENGAGE the deck and remove the belt.

To Remove the Drive Belt:

Step 1. Remove the two belt keepers at the engine pulley. DISENGAGE the deck and remove the belt.

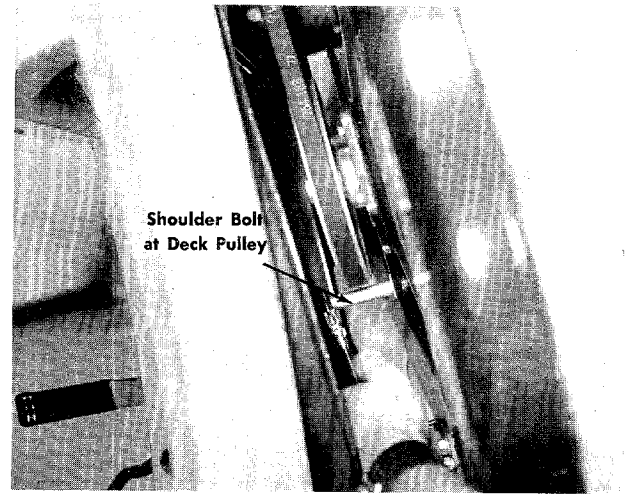


FIGURE 18. SHOULDER BOLT REMOVAL

Step 2. ENGAGE the deck and unhook the deck springs.



CAUTION

Deck will drop when last bolt is removed in step 3.

Step 3. Remove six hex screws, nuts and lockwashers holding the deck. See figure 19.

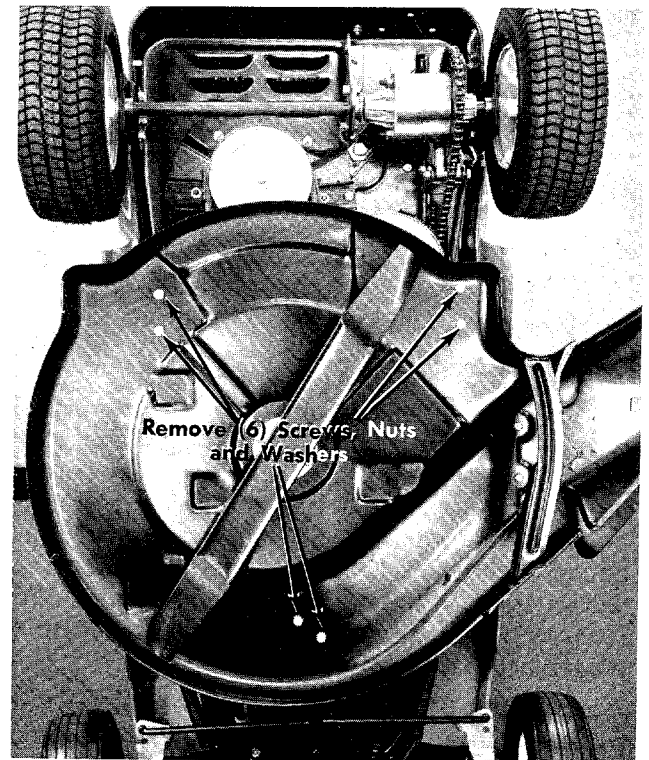


FIGURE 19. DECK REMOVAL

- Step 4. Remove the belt guard at the engine pulley. See figure 20.
- Step 5. Remove the nut and lockwashers at the transmission pulley and variable speed pulley. See figure 20.
- Step 6. Remove the locknut at the variable speed arm and lift off the spring. See figure 20.



When reassembling the transmission pulley, place hub side up.

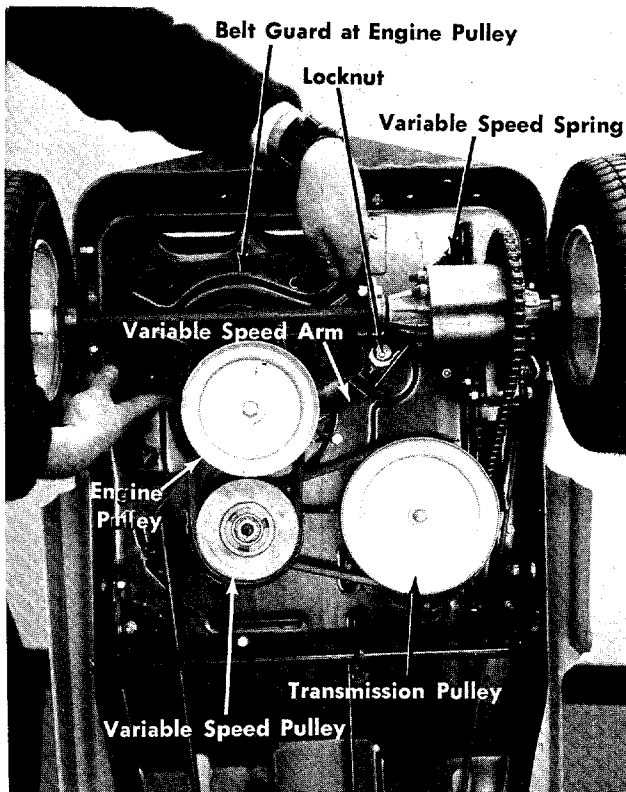


FIGURE 20. ENGINE BELT GUARD REMOVAL

LUBRICATION: See figure 21.

1. **Engine.** Maintain the engine oil according to the engine manual.
2. **Bearings.** The following bearings are oil impregnated and do not require lubrication, however, their normal life can be extended by lubricating them once a season with a light, non-detergent oil.
3. King Pin Bearings (total 4 bearings)
4. Rear Axle Bearings (total 3 bearings)
5. Front Wheel Bearings (total 4 bearings)

6. **Throttle Control and Cable.** Wipe oiled rag along entire length of cable.
7. **Chain.** Wipe oiled rag along entire length of chain.



Under extremely dusty conditions do not oil the chain.

8. **Linkage.** Oil all deck linkage and height adjustment linkage.
9. **Transmission.** Lubricated at the factory, does not require checking. Lubricate with 4 oz. of Lubriplate No. 310 if disassembled.
10. **Differential.** Lubricated at the factory, does not require checking. Lubricate with 2 oz. of grease High Temp. 450°F. if disassembled. If ordered from the factory use Part No. 737-120.
11. **Steering.** Lubricate at least once a season with oil.
12. **Variable Speed Pulley.** See page 24.

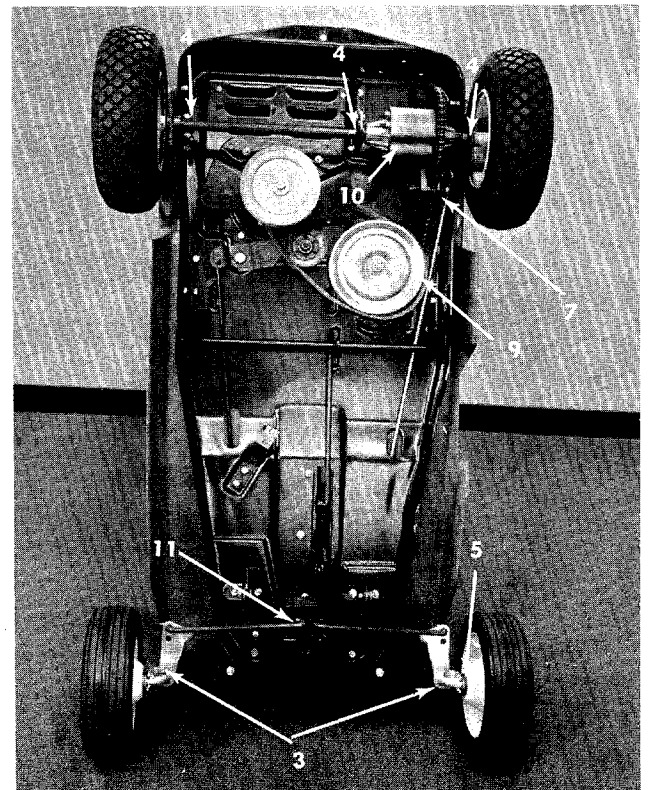


FIGURE 21. LUBRICATION POINTS

OFF-SEASON STORAGE



NOTE

Engines to be stored over 30 days should be completely drained of fuel to prevent gum deposits forming on essential carburetor parts, fuel filters, fuel lines and tank.

1. Remove all fuel from fuel tank. Run the engine until it stops from lack of fuel. The small amount of fuel that remains in the sump of the tank should then be removed by absorbing it with a clean, dry cloth.
 2. While engine is still warm, drain oil from crankcase. Refill with fresh oil.
 3. Remove spark plug, pour 1 ounce of SAE 30 oil into cylinder and crank slowly to distribute oil. To prevent accidental starting, DO NOT replace the spark plug.
 4. Clean dirt and chaff from cylinder, cylinder head fins and blower housing.
 5. Clean all grass from underside of deck.
 6. Clean the air filter.
 7. Place blocks under frame of mower so that the wheels are off the ground.
 8. Cover all bare metal parts, such as the mowing edge of the blades, with grease to prevent rusting.
 9. Cover the mower with a tarpaulin or other protective covering.
-

TROUBLE SHOOTING CHART

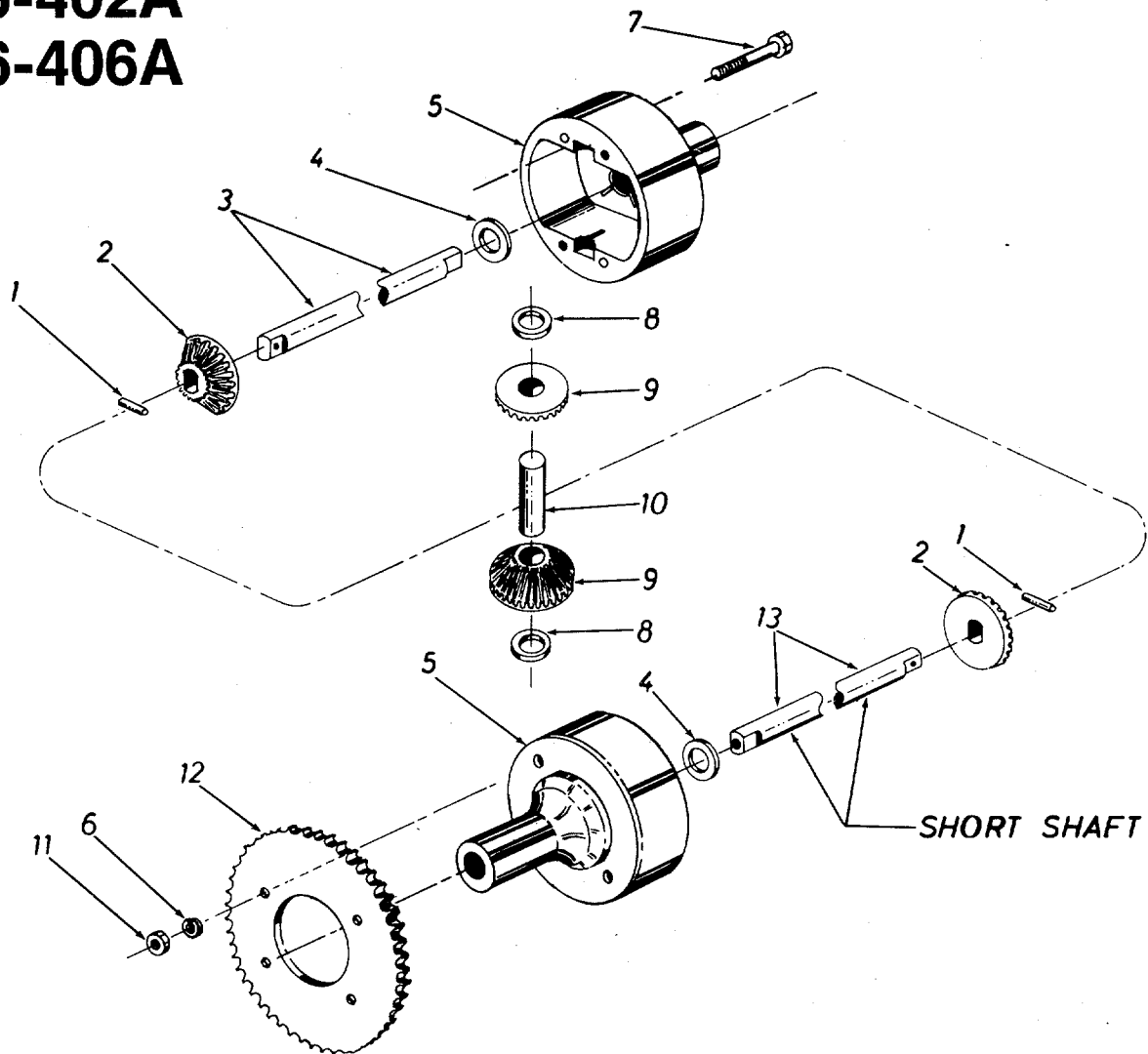


CAUTION:

ALWAYS DISCONNECT SPARK PLUG BEFORE ATTEMPTING ANY REMEDY.

TROUBLE	LOOK FOR	REMEDY
Engine fails to start.	Safety System	<p>If the engine will not start be sure the clutch control is disengaged; blade controls disengaged, the throttle control is set and the key is turned on.</p> <p>A. Disconnect the yellow wire from the engine. This comes from the ignition switch.</p> <p>B. If the engine fails to start the problem is with the engine, not the safety system.</p> <p>C. If the engine starts, the problem is with the safety system. Check the yellow wire for a ground.</p> <p>D. Check the operation of the switch behind the recoil starter handle.</p> <p>E. If the engine stops when the clutch or blade is engaged, the recoil handle is not pushed into the receptacle and twisted a quarter turn.</p>
	Blocked fuel line or empty gas tank.	Clean fuel line; check fuel supply. Also check fuel shut-off valve.
	Defective spark plug.	<p>Spark plug lead wire disconnected.</p> <p>Faulty spark plug—spark should jump gap between control electrode and side electrode. If spark does not jump, replace spark plug.</p> <p>NOTE: Use insulated pliers to hold the spark plug wire.</p>
	Throttle setting.	Throttle control lever not in the starting position.
	Loose connections	Spark plug wire loose.
Hard starting or loss of power.	Dirty air cleaner.	Remove air cleaner and clean as outlined in Engine Manual .
	Carburetor improperly adjusted.	Review paragraph Carburetor Adjustment .
Excessive vibration.	Bent or damaged blade spindle.	Stop engine immediately; tighten all bolts and make all necessary repairs. If vibration continues, have the unit serviced by a competent repairman.
Unit fails to discharge grass.	Discharge chute clogged.	Clean discharge chute and inside of deck.
	Foreign object lodged in deck.	Remove object from deck. See CAUTION following step 1 in paragraph Operation .
Engine overheats.	Obstructions in air passages.	Remove any obstruction from air passages in shroud. Grass and dirt in engine shroud. Clean cooling fins.
	Oil level.	Fill crankcase to proper oil level.

136-402A 136-406A



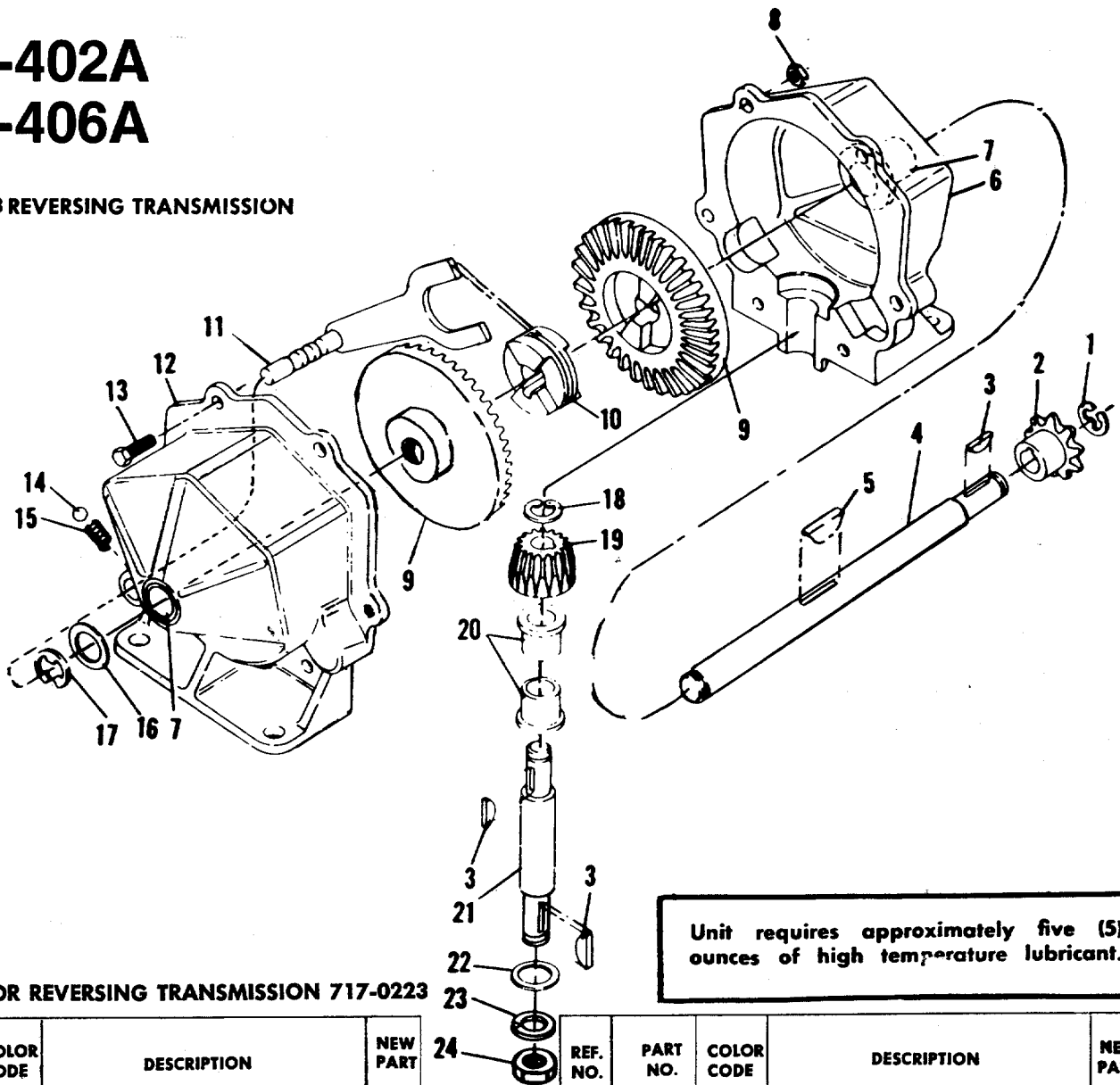
PARTS LIST FOR DIFFERENTIAL ASSEMBLY 717-0328

Ref. No.	Part No.	Qty. Req'd.	Description	New Part
1	715-0247	2	Spring Pin Spir. 3/16" Dia. x 1.00" Lg.	
2	748-0185	2	Gear—Double "O" Hole	N
3	738-0300	1	Shaft—Long 19.31" Lg.	
4	736-0188	2	FI-Wash. .760 I.D. x 1.49 O.D.	
5	717-0341	2	Housing Half	N
6	736-0119	2	L-Wash. 5/16" Scr. *	
7	710-0363	2	Hex Scr. 5/16-24 x 4.00" Lg. *	
8	736-0187	2	FI-Wash. .640 I.D. x 1.24 O.D.	
9	748-0158	2	Gear—Round Hole	
10	711-0276	1	Drive Pin	
11	712-0237	2	Hex Cent. L-Nut 5/16-24 Thd.	
12	09054	1	Sprocket—40 Tooth	
13	738-0301	1	Shaft—Short 7.07" Lg.	N

*For faster service obtain standard nuts, bolts and washers locally. If these items cannot be obtained locally, order by part number and size as shown on parts list.

136-402A 136-406A

717-0223 REVERSING TRANSMISSION



Unit requires approximately five (5) ounces of high temperature lubricant.

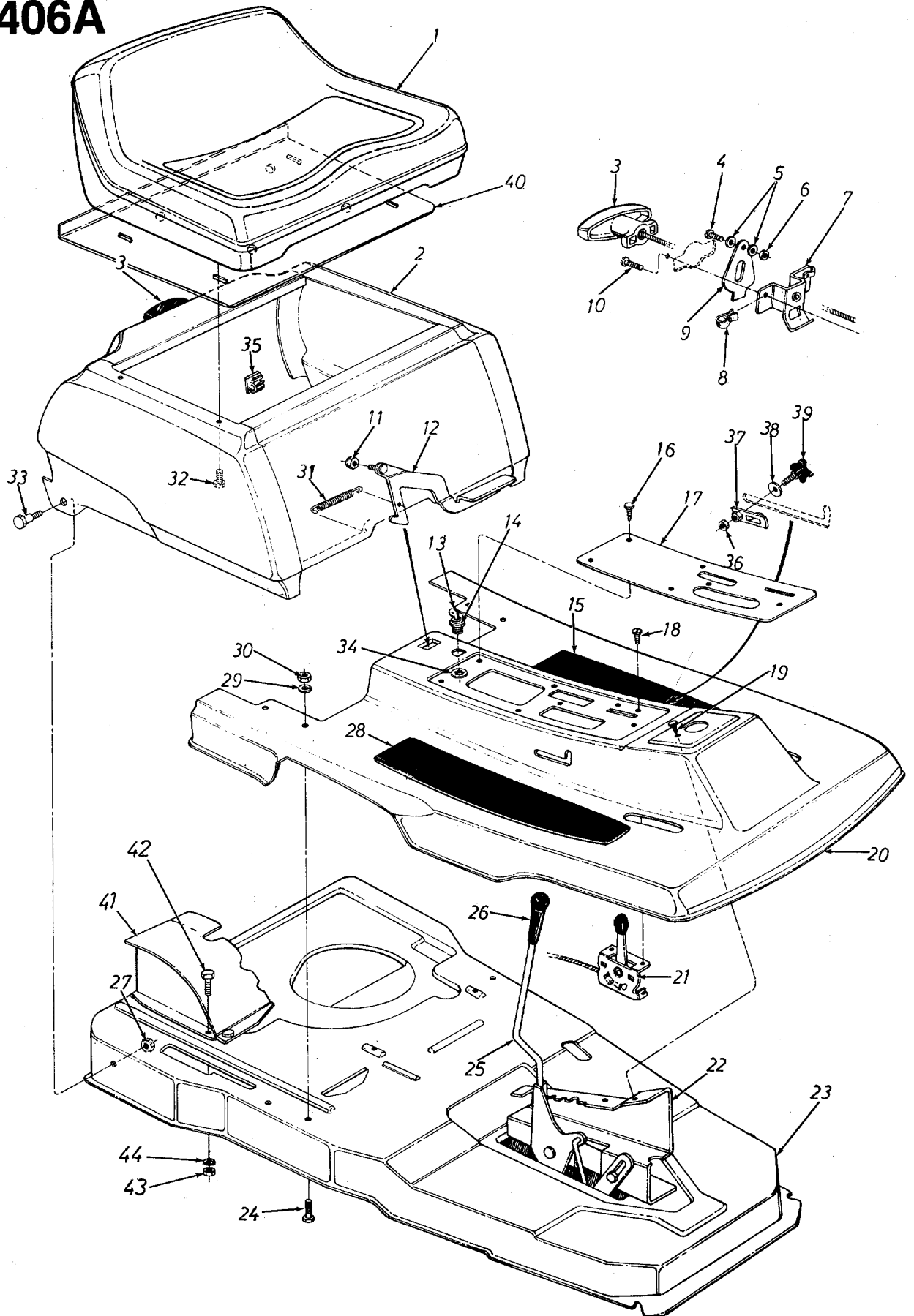
PARTS LIST FOR REVERSING TRANSMISSION 717-0223

REF. NO.	PART NO.	COLOR CODE	DESCRIPTION	NEW PART
1	716-0104		E-Ring for .500" Dia. Shaft	
2	748-0852		Sprocket 8 Tooth	
3	714-0129		#4 Hi-Pro Key 3/32 x 5/8" Dia.	
4	711-0854		Output Shaft	
5	714-0126		#9 Hi-Pro Key 3/16 x 3/4" Dia.	
6	717-0123		Trans. Case—L.H. Compl.	
7	748-0855		Flange Bearing	
8	712-0117		Hex Centerlock 1/4-28*	
9	748-0856		Bevel Gear	
10	748-0857		Clutch Collar	
11	310-08583		Shift Yoke Assembly	
12	717-0124		Trans. Case—R.H.—Compl. (With Detent Hole)	
13	710-0195		Hex Hd. Cap Scr. 1/4-28 x .62" Lg.*	

REF. NO.	PART NO.	COLOR CODE	DESCRIPTION	NEW PART
14	741-0862		Detent Ball	
15	732-0863		Detent Spring	
16	736-0116		Fl.-Wash. .635 I.D. x .93 O.D.	
17	716-0106		E-Ring for .625" Dia. Shaft	
18	716-0865		Snap Ring for .500" Dia. Shaft	
19	748-0866		Pinion Gear	
20	748-0867		Bearing .627 I.D.	
21	738-0159		Pinion Shaft	
22	736-0192		Fl.-Wash. .531 I.D. x .93 O.D.	
23	736-0921		Spring L-Wash. 1/2" Scr.*	
24	712-0922		Hex Jam Nut 1/2-20 Thd.*	
25	737-0120		Grease—High Temp. 450°F (5 oz.)	
26	717-0223		Transmission Complete	

*For faster service, obtain standard nuts, bolts and washers locally. If these items cannot be obtained locally, order by part number and size, as shown on parts list.

136-402A 136-406A



PARTS LIST FOR MAIN BODY MODELS 136-402A AND 406A

REF. NO.	PART NO.	COLOR CODE	DESCRIPTION	NEW PART	REF. NO.	PART NO.	COLOR CODE	DESCRIPTION	NEW PART
1	757-0260		Seat—Comp. (406A)		21	746-0239		Throttle Control—R. H.	
	757-0265		Seat—Comp. (402A)		22	12150		Index and Support Brkt.	
2	12131	—462	Cover Ass'y.		23	12125	—462	Main Frame	
3	11263		Plastic Handle		24	710-0198		Hex Sems Scr. 5/16-18 x .75" Lg.*	
4	710-0425		Truss Mach. Scr. #10-24 x .62" Lg.*		25	12142		Deck Lift Handle Ass'y.	
5	736-0338		Fiber Wash.		26	720-0143		Grip	
6	712-0121		Hex Nut #10-24 Thd.		27	712-0158		Hex Cent. L-Nut 5/16-18 Thd.	
7	11053		Switch Brkt. Ass'y.		28	723-0241		Foot Pad	
8	712-0344		Speed Nut #10Z (402A)		29	736-0119		L-Wash. 5/16" Scr.*	
9	732-0257		Switch Sprg.		30	712-0267		Hex Nut 5/16-18 Thd.*	
10	710-0351		Truss Mach. B-Tapp. Scr. #10 x .50" Lg.* (402A)		31	732-0118		Extension Spring	
	710-0436		Self Threading Scr. (406A)		32	710-0352		Hex B-Tapp Scr. 1/4 x .38" Lg.*	
11	712-0429		Hex Ins. L-Nut 5/16-18 Thd.		33	738-0155		Shld. Scr. .437 Dia. x .162	
12	12144		Latch—Engine Cover		34	736-0225		Int. L-Wash. 5/8 I.D.	
13	725-0128		Ignition Key		35	726-0141		Adjustment Clamp	
14	725-0266		Ignition Switch		36	712-0158		Hex Cent. L-Nut 5/16-18 Thd.	
15	723-0241		Foot Pad		37	12166		Speed Control Bracket	
16	710-0351		Truss Mach. B-Tapp Scr. #10 x .50" Lg.*		38	736-0219		Belleville Wash.	
17	12175	—462	Cover Plate		39	720-0170		Hand Knob	
18	710-0227		Hex Wash. Hd. AB-Tapp Scr. #8 x .38" Lg.		40	12618		Seat Bracket (406A)	
19	710-0351		Truss Mach. B-Tapp Scr. #10 x .50" Lg.*		41	12510		Muffler Shield Ass'y. (406A)	
20	12128	—462	Floor Pan		42	710-0258		Hex Scr. 1/4-20 x .62 (406A)	
					43	712-0287		Hex Nut 1/4-20 Thd. (406A)	
					44	736-0329		L-Wash. 1/4" Scr. (406A)	

WHEEL CHART MODEL 136-402A

FRONT WHEEL		REAR WHEEL	
PART NO.	DESCRIPTION	PART NO.	DESCRIPTION
734-0510	Wheel Ass'y.—Comp.	734-0522	Wheel Ass'y.—Comp.
10152	Rim with Hub Ass'y.	734-0517	Rim with Hub Ass'y.
748-0146	Bearing	734-0301	Tire Only 12.2 x 3.7
—	Hub Part of Rim	748-0151	Bearing
		—	Hub Part of Rim
		734-0255	Air Valve

WHEEL CHART FOR MODEL 136-406A

FRONT WHEEL		REAR WHEEL	
PART NO.	DESCRIPTION	PART NO.	DESCRIPTION
734-0483	Wheel Ass'y.—Comp.	734-0523	Wheel Ass'y.—Comp.
734-0486	Rim with Hub Ass'y.	734-0517	Rim with Hub Ass'y.
748-0184	Bearing	734-0298	Tire Only 13.0 x 5.0
—	Hub Part of Rim	748-0151	Bearing
		—	Hub Part of Rim
		734-0255	Air Valve

*For faster service obtain standard nuts, bolts and washers locally. If these items cannot be obtained locally, order by part number and size as shown on parts list.

(462—Red Flake)

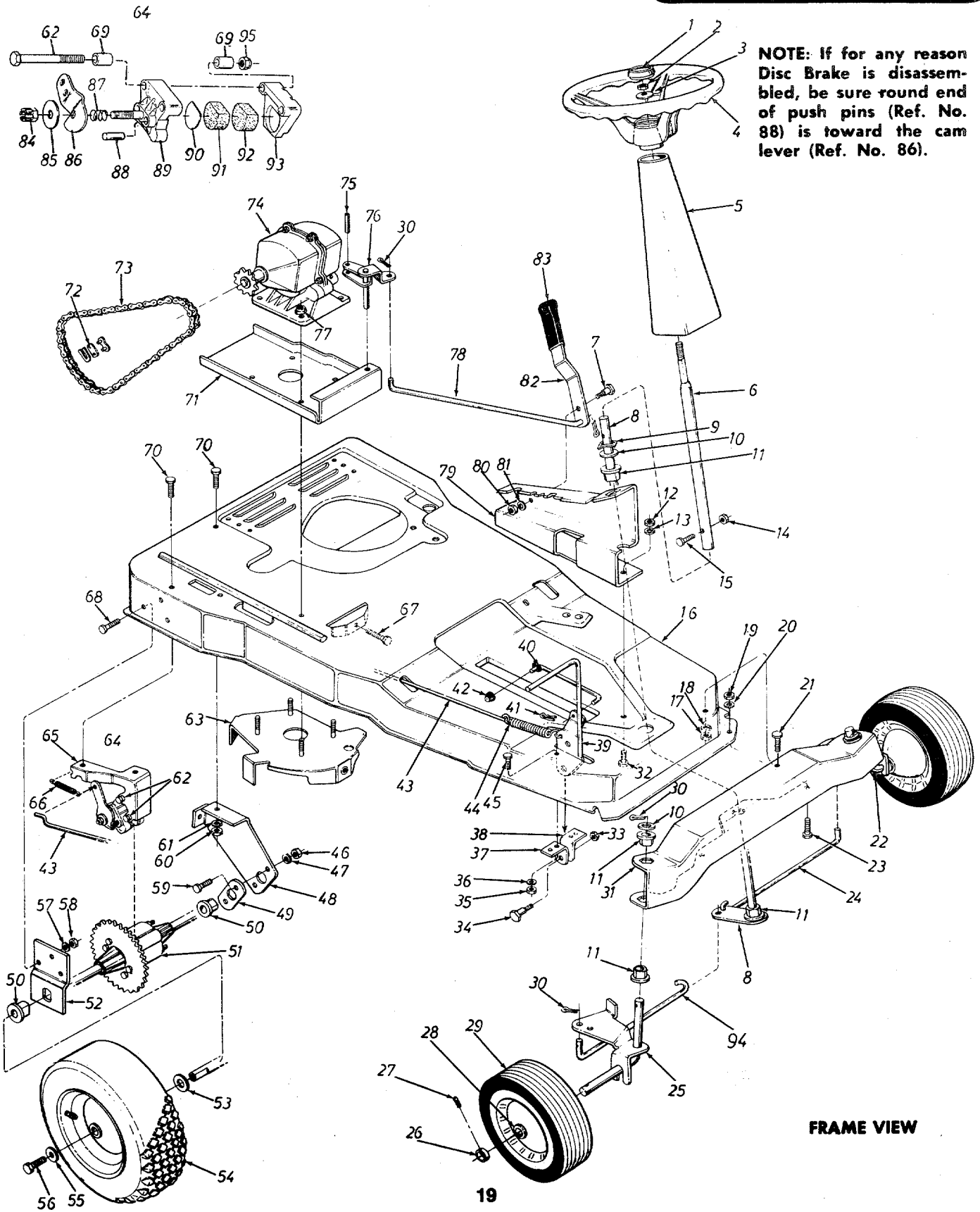
When ordering parts, if color or finish is important use the appropriate color code shown above (e.g. Red Flake Finish—12131 (462).)

NOTE: The engine is not under warranty by the mower manufacturer . . . If repairs or service is needed on the engine, please contact your nearest authorized engine service outlet. Check the "Yellow Pages" of your telephone book under "Engines—Gasoline."



136-402A 136-406A

IF YOU WRITE TO US ABOUT THIS ARTICLE
OR IF YOU ORDER REPLACEMENT PARTS AL-
WAYS MENTION THIS MODEL & SERIAL NO
MODEL



FRAME VIEW

PARTS LIST FOR FRAME VIEW MODELS 136-402A AND 136-406A

REF. NO.	PART NO.	COLOR CODE	DESCRIPTION	NEW PART	PART NO.	COLOR CODE	DESCRIPTION	NEW PART
1	731-0220		Steering Wheel Cap		48	12147	Rear Axle Support Brkt.	
2	712-0158		Hex Cent. L-Nut 5/16-18 Thd.		49	10470	Bearing—Plate	
3	736-0242		Belleville Wash.		50	748-0151	Fing. Brg. w/Flats .753 I.D.	
4	731-0219		Steering Wheel Ass'y.		51	717-0274 ⁰³⁰⁸	Differential Ass'y.—Comp.	
5	731-0262		Cover—Steering Column		52	12148	Axle Brkt.	
6	750-0233		Steering Tube Ass'y.		53	736-0134	Fl-Wash. .812 I.D. x 1.38	
7	738-0140		Shld. Scr. .437 Dia. x .180" Lg.		54	734-0522	O.D. Wheel Ass'y—Comp. Rear	
8	12138		Steering Shaft Ass'y.			734-0523	12.2 x 3.7 (402A)	
9	712-0222		Push Speed Nut .62 Dia.				Wheel Ass'y.—Comp. Rear	
10	736-0156		Fl-Wash. .635 I.D. x 1.120 O.D.		55	736-0105	13.0 x 5.0 (406A)	
11	748-0227		Hex Flange Brg. .630 I.D.		56	710-0568	Belleville Wash. .400 I.D. x	
12	712-0267		Hex Nut 5/16-18 Thd.*		57	736-0119	.88 O.D.	
13	736-0119		L-Wash. 5/16" Scr.*		58	712-0267	Hex Scr. 5/16-18 x .75" Lg.	
14	712-0107		Hex Cent. L-Nut 1/4-20 Thd.		59	710-0198	L-Wash. 5/16" Scr.*	
15	710-0106		Hex Scr. 1/4-20 x 1.25" Lg.*		60	712-0267	Hex Nut 5/16-18 Thd.*	
16	12125		Main Frame		61	736-0119	L-Wash. 5/16" Scr.*	
17	712-0267		Hex Nut 5/16-18 Thd.*		62	710-0395	Hex Scr. 5/16-18 x 2.25" Lg.*	
18	736-0119		L-Wash. 5/16" Scr.*		63	09780	Belt Guard Ass'y.—Trans.	
19	712-0267		Hex Nut 5/16-18 Thd.*		64	761-0130	Disc Brake Ass'y.	
20	736-0119		L-Wash. 5/16" Scr.*		65	12145	Brake Brkt. Ass'y.	
21	710-0198		Hex Sems Scr. 5/16-18 x .75" Lg.*		66	732-0118	Ext. Spring	
22	09709		Axle Ass'y.—Front—L.H.		67	710-0117	Hex Scr. 5/16-24 x 1.00" Lg.	
23	710-0198		Hex Sems Scr. 5/16-18 x .75" Lg.*		68	710-0198	H.T. Hex Sems Scr. 5/16-18 x .75" Lg.*	
24	01747		Tie Rod 3/8" Dia. L.H.		69	761-0133	Spacer for Disc Brake	
25	09706		Axle Ass'y.—Front—R.H.		70	710-0198	Hex Sems Scr. 5/16-18 x .75" Lg.*	
26	711-0169		Collar		71	10247	Transmission Plate	
27	710-0494		Sq. Hd. Set Scr. 5/16-18 x .38 Cup		72	713-0723	#41 Master Link 1/2" Pitch	
28	748-0146		Flange Brg. w/Flats .630 I.D. (402A)		73	713-0190	Type II #41 Chain 1/2" Pitch x 71 Links	
	748-0184		Flange Brg. w/Flats .630 I.D. (406A)		74	717-0223	Single Spd. Trans.—Comp.	
29	734-0510		Wheel Ass'y.—Front 10.25 x 3.25 (402A)		75	715-0103	Spring Pin Roll 1/8" x .75" Lg.	
	734-0483		Wheel Ass'y.—Front 10.5 x 3.50 (406A)		76	12170	Shift Brkt. Ass'y.	
30	714-0507		Cotter Pin 3/32" Dia. x .75" Lg.*		77	712-0429	Hex Ins. L-Nut 5/16-18 Thd.	
31	12151		Front Wheel Brkt.		78	747-0136	Shift Rod	
32	710-0198		Hex Sems Scr. 5/16-18 x .75" Lg.*		79	12150	Index and Support Brkt.	
33	712-0375		Hex Cent. L-Nut 3/8-16 Thd.		80	712-0267	Hex Nut 5/16-18 Thd.*	
34	738-0234		Shld. Scr. .500" Dia. x .295" Lg.		81	736-0119	L-Wash. 5/16" Scr.*	
35	712-0267		Hex Nut 5/16-18 Thd.*		82	12169	Shift Lever	
36	736-0119		L-Wash. 5/16" Scr.*		83	720-0142	Grip—Flat Bar Type	
37	12155		Pedal Pivot Brkt. w/1/2" Hole		84	712-0134	Hex Top L-Nut 5/16-24 Thd.	
38	12156		Pedal Pivot Brkt. w/3/8" Hole		85	HH-03-03032	Wash. .349 I.D. x 1.004 O.D. x .066 Thk.	
39	12136		Brake Pedal Ass'y.		86	HH-18-03493	Cam Lever 22°	
40	12419		Pedal Lockout Rod 5/16" Rod	N	87	HH-06-03031	Spring—Compres. .350" Dia. x 4 Coils	
41	714-0104		Int. Cotter Pin 5/16" Dia.*		88	HH-05-03034	Push Pin .309" Dia. x .857" Lg.	
42	726-0109		Push Cap—.312 I.D.		89	HH-12-03292	Casting—Cam	
43	747-0128		Brake Rod 1/4" Dia. x 25.25" Lg.		90	HH-03-03303	Back-up Wash. 1.115" Dia. x .08 Thk. (D-Shaped)	
44	732-0245		Brake Spring		91	HH-15-02124	Pad—Friction (D-Shaped) 1.110" Dia. x .472 Thk.	
45	710-0198		Hex Sems Scr. 5/16-18 x .75" Lg.*		92	HH-15-03149	Pad Friction (D-Shaped) 1.110" Dia. x .245 Thk.	
46	712-0267		Hex Nut 5/16-18 Thd.*		93	HH-12-03293	Casting—Carrier	
47	736-0119		L-Wash. 5/16" Scr.*		94	747-0146	Tie Rod 3/8" Dia.—R.H.	
					95	712-0158	Hex Cent. L-Nut 5/16-18 Thd.	

(462—Red Flake)

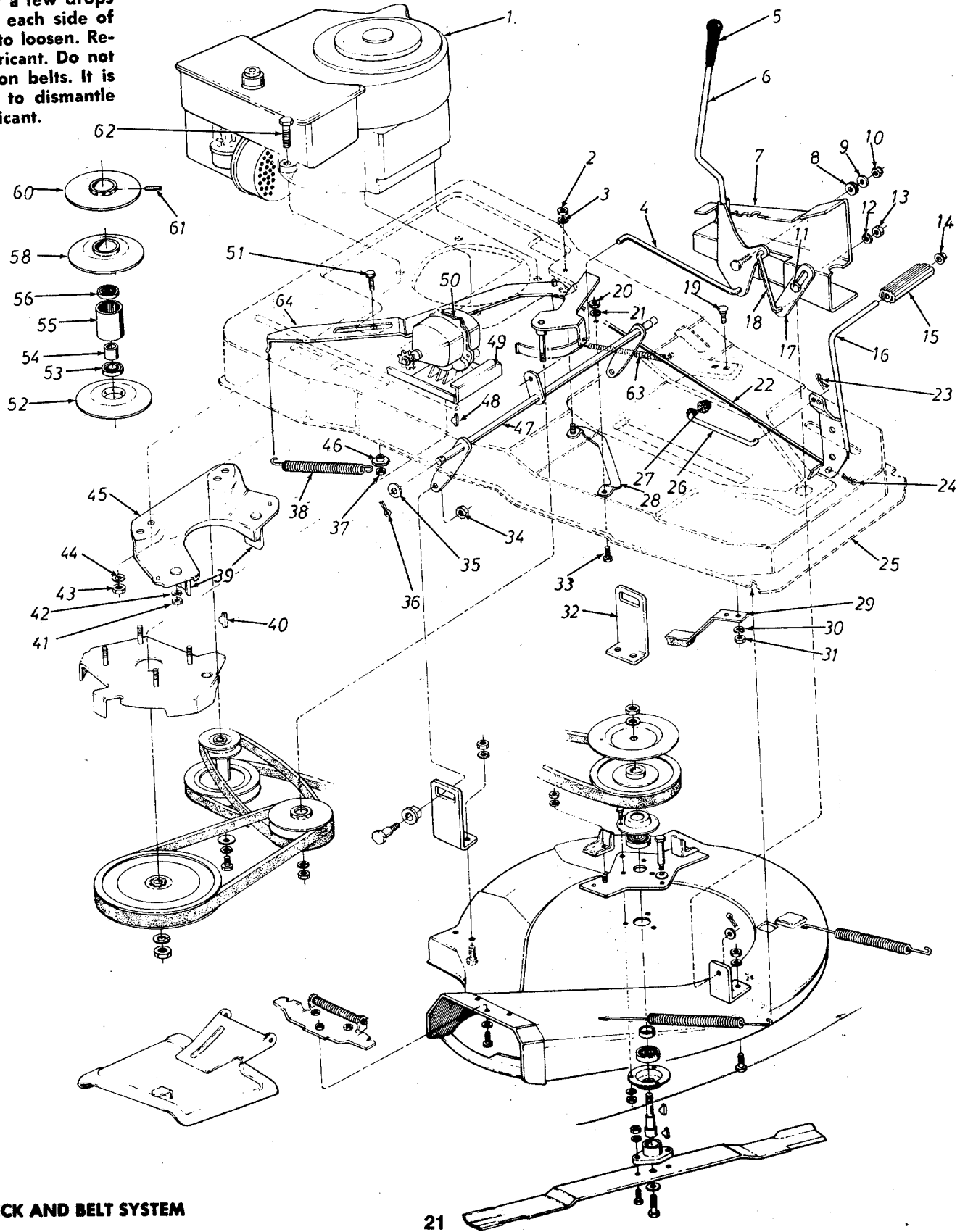
When ordering parts, if color or finish is important use the appropriate color code shown above (e.g. Red Flake Finish—12131 (462).)

*For faster service obtain standard nuts, bolts and washers locally. If these items cannot be obtained locally, order by part number and size as shown on parts list.

136-402A 136-406A

IF YOU WRITE TO US ABOUT THIS ARTICLE
OR IF YOU ORDER REPLACEMENT PARTS AL-
WAYS MENTION THIS MODEL & SERIAL NO
MODEL

NOTE: If mower fails to re-
spond to speed control lev-
er, it is possible that the
variable speed pulley is
seizing. Apply a few drops
of light oil to each side of
the assembly to loosen. Re-
apply dry lubricant. Do not
get lubricant on belts. It is
not necessary to dismantle
to apply lubricant.



DECK AND BELT SYSTEM

PARTS LIST FOR DECK AND BELT SYSTEM MODELS 136-402A AND 136-406A

REF. NO.	PART NO.	COLOR CODE	DESCRIPTION	NEW PART	REF. NO.	PART NO.	COLOR CODE	DESCRIPTION	NEW PART
1	—		Engine		33	710-0198		Hex Sems Scr. 5/16-18 x .75" Lg.*	
2	712-0798		Hex Nut 3/8-16 Thd.*					Hex Cent. L-Nut 5/16-18 Thd.	
3	736-0217		L-Wash. 3/8" Scr. H.D.		34	712-0158		FI-Wash. .635 I.D. x .93 O.D.	
4	747-0125		Lift Handle Rod 3/8" Dia.		35	736-0116		Cot. Pin 3/32 Dia. x .75" Lg.*	
5	720-0143		Grip		36	714-0507		Hex Ins. L-Nut 5/16-18 Thd.	
6	12142		Deck Lift Handle Ass'y.		37	712-0429		Spring—Variable Speed	
7	12150		Index and Support Brkt.		38	732-0192		Belt Keeper Ass'y.	
8	735-0126		Rubber Washer		39	12160		#6 Hi-Pro-Key 5/32 x 5/8" Dia.	
9	736-0101		FI-Wash. .406 I.D. x 1.00 O.D. x .030		40	714-0365		Hex Nut 5/16-18 Thd.*	
10	712-0112		Hex Nut #6-32 Thd.*		41	712-0267		L-Wash. 5/16" Scr.*	
11	738-0183		Shoulder Scr.		42	736-0119		Hex Nut 5/16-18 Thd.*	
12	736-0217		L-Wash. 3/8" Scr. H.D.		43	712-0267		L-Wash. 5/16" Scr.*	
13	712-0798		Hex Nut 3/8-16 Thd.*		44	736-0119		Belt Guard—Cup Ass'y.	
14	726-0221		Push Cap 1/2" I.D.		45	10423		Shoulder Nut	
15	731-0142		Foot Pedal Bar		46	711-0404		Deck Lift Shaft Ass'y.	
16	12133		Clutch Pedal Ass'y.		47	12139		#4 Hi-Pro-Key 3/32 x 5/8" Dia.	
17	12152		Deck Hanger Link		48	714-0129		Transmission Plate	
18	747-0127		Deck Lift Rod 3/8" Dia.		49	10247		Trans. Ass'y.—Comp.	
19	710-0167		Carriage Bolt 1/4-20 x .50" Lg.*		50	717-0223		Hex Sems Scr. 5/16-18 x 1.00" Lg.*	
20	712-0267		Hex Nut 5/16-18 Thd.*		51	710-0322		Sheave Half	
21	736-0119		L-Wash. 5/16" Scr.*		52	748-0177		Ball Brg. .50 I.D. x 1.38 O.D.	
22	747-0133		Clutch Rod		53	741-0139		Spacer .520 I.D. x .692 O.D.	
23	714-0104		Hair Pin Cotter		54	750-0146		Steel Tubing	
24	714-0104		Hair Pin Cotter		55	750-0144		Ball Brg. .50 I.D. x 1.30 O.D.	
25	12125		Main Frame		56	741-0139		Moveable Sheave Ass'y.	
26	12419		Pedal Lockout Rod 5/16"		58	748-0181		Sheave Half	
27	726-0109		Push Cap—.312 I.D.		60	748-0177		Spring Pin Spir. 5/32" Dia. x .62" Lg.	
28	10173		Bracket Guide Ass'y.		61	715-0124		Hex Scr. 5/16-18 x 1.50" Lg.*	
29	761-0148		Blade Brake Ass'y. 1.38 Height		62	710-0442		Extension Spring	
30	736-0329		L-Wash. 1/4" Scr.*		63	732-0233		Vari. Spd. Brkt. Ass'y.	
31	712-0287		Hex Nut 1/4-20 Thd.*		34	09785			
32	12154		Rear Deck Brkt.						

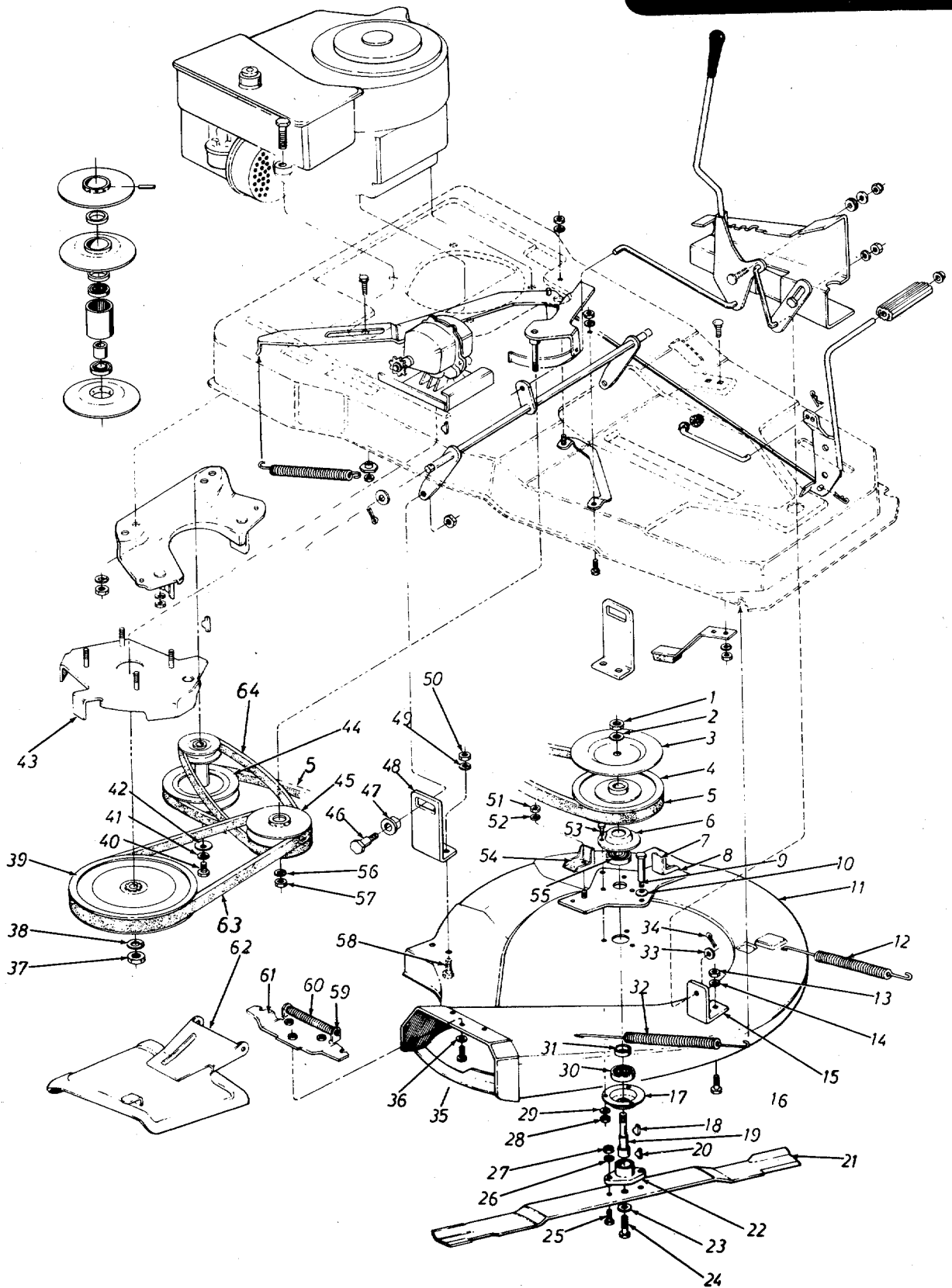
*For faster service obtain standard nuts, bolts and washers locally. If these items cannot be obtained locally, order by part number and size as shown on parts list.

(462—Red Flake)

When ordering parts if color or finish is important, use color code shown at left. (e.g. Red Flake Finish —12131 (462).)

136-402A
136-406A

IF YOU WRITE TO US ABOUT THIS ARTICLE
OR IF YOU ORDER REPLACEMENT PARTS AL-
WAYS MENTION THIS MODEL & SERIAL NO
MODEL



PARTS LIST FOR DECK AND BELT SYSTEM MODELS 136-402A AND 136-406A

REF. NO.	PART NO.	COLOR CODE	DESCRIPTION	NEW PART	REF. NO.	PART NO.	COLOR CODE	DESCRIPTION	NEW PART
1	712-0261		Hex Cent. L-Nut 5/8-11 Thd.		33	736-0185		FI-Wash. .406 I.D. x .734 O.D.	
2	736-0158		FI-Wash. 5/8" Scr.*					x .063	
3	11073		Brake Disc		34	714-0507		Cot. Pin 3/32" Dia. x .75" Lg.	
4	756-0143		Split Pulley .63 I.D.		35	710-0195		Hex Scr. 1/4-28 x .62" Lg.*	
5	754-0188		V-Belt 21/32 x 51" Lg.		36	736-0329		L-Wash. 1/4" Scr.*	
6	08253		Housing—Bearing		37	712-0922		Hex Jam Nut 1/2-20 Thd.*	
7	12172		Belt Keeper Ass'y.		38	736-0921		L-Wash. 1/2" Scr.*	
8	11537		Belt Guard Plate Ass'y.		39	756-0174		Transmission Pulley .500 I.D.	
9	738-0129		Shld. Scr. .498 Dia. x 2.005		40	710-0151		Hex Scr. 3/8-24 x 2.00" Lg.*	
10	736-0105		Belleville Wash. .400 I.D. x .88 O.D.		41	736-0217		L-Wash. 3/8" Scr. H.D.	
			26" Deck Ass'y.		42	711-0572		Step Washer	
11	12157		Spring .75 O.D. x 8.65" Lg.		43	09780		Trans. Belt Guard Ass'y.	
12	732-0153		Hex Nut 5/16-18 Thd.*		44	756-0208		Two-Step Engine Pulley	
13	712-0267		L-Wash. 5/16" Scr.*		45	10438		Vari. Spd. Pulley Ass'y.	
14	736-0119		Front Deck Brkt.			12168		Vari. Spd. Pulley and Brkt.	
15	12153		Hex Sems Scr. 5/16-18 x .75" Lg.*		46	738-0141		Ass'y.—Comp.	
16	710-0198		Housing—Bearing		47	748-0180		Shld. Scr. .437 Dia. x .350	
17	08253		#61 Hi-Pro-Key 3/16 x 5/8" Dia.		48	12154		Pivot Slide	
18	714-0388		Blade Spindle		49	736-0119		Rear Deck Brkt.	
19	711-0405		#6 Hi-Pro-Key 5/32 x 5/8 Dia.		50	712-0267		L-Wash. 5/16" Scr.*	
20	714-0365		26" Blade		51	712-0267		Hex Nut 5/16-18 Thd.*	
21	742-0147		Blade Adapter Kit		52	736-0119		Hex Nut 5/16-18 Thd.*	
22	10769		L-Wash. 3/8" Scr. H.D.		53	710-0322		L-Wash. 5/16" Scr.*	
23	736-0217		Hex Scr. 3/8-24 x 1.50" Lg. H.T.		54	11823		Hex Sems Scr. 5/16-18 x 1.00" Lg.*	
24	710-0459		Hex Scr. 5/16-24 x 1.00" Lg. H.T.		55	741-0919		Belt Keeper Ass'y.	
25	710-0117		L-Wash. 5/16" Scr.*		56	736-0921		Ball Bearing	
26	736-0119		Hex Nut 5/16-24 Thd.*		57	712-0384		L-Wash. 1/2" Scr.*	
27	712-0123		Hex Nut 5/16-18 Thd.*		58	710-0198		Hex Cent. L-Nut 1/2-13 Thd.	
28	712-0267		L-Wash. 5/16" Scr.*					Hex Sems Scr. 5/16-18 x .75" Lg.*	
29	736-0119		Ball Bearing		59	726-0106		Push Cap 1/4" Dia.	
30	741-0919		Spacer		60	732-0261		Torsion Spring	
31	750-0142		Spring .75 O.D. x 8.65" Lg.		61	11399		Adapter Ass'y.	
32	732-0153				62	11634		Chute Cover Ass'y.—Comp.	
					63	754-0136		V-Belt 21/32 x 31" Lg.	
					64	754-0187		V-Belt 21/32 x 24" Lg.	

*For faster service obtain standard nuts, bolts and washers locally. If these items cannot be obtained locally, order by part number and size as shown on parts list.

(462—Red Flake)

When ordering parts if color or finish is important, use color code shown at left. (e.g. Red Flake Finish—12131 (462).)

PARTS INFORMATION

POWER EQUIPMENT PARTS AND SERVICE

Parts and service for all MTD manufactured power equipment are available through the authorized service firms listed below. All orders should specify the model number of your unit, parts numbers, description of parts and the quantity of each part required.

ALABAMA	BIRMINGHAM	
	Auto Electric & Carburetor Co.	2625 4th Ave. S. 35233
ARKANSAS	NORTH LITTLE ROCK	
	Sutton's Lawn Mower Shop	Rt. 4, Box 368 72117
	FORT SMITH	
	Mity Mite Motors, Inc.	2515 Towson Ave. 72901
CALIFORNIA	SAN BERNARDINO	
	Lawn Mower Supply Co.	25608 E. Baseline 92410
	SAN FRANCISCO	
	J.W. Jewett Co.	981 Folsom St. 94107
	SACRAMENTO	
	Luttig & Severson	2030 28th St. 95818
COLORADO	DENVER	
	South Denver Lawn Equip.	527 West Evans 80223
CONNECTICUT	SUFFIELD	
	The Jones & Ramsey Co.	850 Thompsonville Rd. 06078
FLORIDA	JACKSONVILLE	
	Radco Distributors	2403 Market St. 32206
	CORAL GABLES	
	Moz-All of Florida, Inc.	365 Greco Ave. 33146
GEORGIA	EAST POINT	
	East Point Cycle & Key	2834 Church St. 30344
ILLINOIS	LYONS	
	Keen Edge Co.	8615 Ogden Ave. 60534
INDIANA	ELKHART	
	Parts & Sales Inc.	2101 Industrial Pkwy. .. 46514
	CORYDON	
	Brown Equip. Dist., Inc.	110 Beech St. 47112
IOWA	DUBUQUE	
	Power Lawn & Garden Equip. .	2551 J.F. Kennedy 52001
KANSAS	WICHITA	
	Hixon, Inc.	3030 Mascot 67204
LOUISIANA	NEW ORLEANS	
	Suhren Engine Co.	8330 Earhart Blvd. 70118
MARYLAND	TAKOMA PARK	
	Center Supply Co.	6867 New Hampshire Ave. 20012
MASSACHUSETTS	SPRINGFIELD	
	Morton B. Collins Co.	300 Birnie Ave. 01107
MICHIGAN	MOUNT CLEMENS	
	Power Equipment Dist.	36463 South Gratiot... 48043
	LANSING	
	Lorenz Service Co.	2500 S. Pennsylvania.. 48900
MINNESOTA	MINNETONKA	
	Hance Distributing Inc.	11212 Wayzata Blvd. .. 55343
MISSISSIPPI	BILOXI	
	Biloxi Sales & Service, Inc.	506 Caillavet St. 39533
MISSOURI	KANSAS CITY	
	Automotive Equip. Service	3117 Holmes St. 64109
	ST. LOUIS	
	Henzler, Inc.	2015 Lemay Ferry Rd. 63125
NEBRASKA	OMAHA	
	R.P.W., Inc.	7402 "L" St. 68127

BRIGGS & STRATTON, TECUMSEH AND PEERLESS PARTS AND SERVICE

Briggs & Stratton, Tecumseh and Peerless parts and service should be handled by your nearest authorized engine service firm. Check the yellow pages of your telephone directory under the listing *Engines* — *Gasoline*, Briggs & Stratton or Tecumseh Lauson —

NEW YORK	CARTHAGE	
	Gamble Dist., Inc.	West End Ave. 13619
	SYRACUSE	
	Kimber's, Inc.	115 N. Geddes St. 13204
	ROCHESTER	
	Henry W. O'Neil & Associates ..	410 N. Goodman St. ... 14609
NORTH CAROLINA	GREENSBORO	
	Dixie Sales Company	327 Battleground Ave.. 27402
	GOLDSBORO	
	Smith Hardware Co.	515 N. George St. 27530
OHIO	WADSWORTH	
	National Central	687 Seville Rd. 44281
	CLEVELAND	
	Bleckrie, Inc.	7900 Lorain Ave. 44102
	CARROL	
	Stebe's Mid-State Mower Supply	Box 366 43112
	WILLARD	
	Sunshine Wholesale Tire Outlet	Route 224 44890
	MANSFIELD	
	McClure Lawn & Garden Supply...	1114 Lexington Ave. . 44903
OKLAHOMA	MUSKOGEE	
	Victory Motors, Inc.	605 S. Cherokee 74401
	ADA	
	Ada Auto Supply	301 E. 12th St. 74820
OREGON	PORTLAND	
	Kenton Supply Co.	8216 N. Denver Ave. . 97217
PENNSYLVANIA	LANCASTER	
	Raub Supply Co.	James & Mulberry Sts... 17604
	PITTSBURGH	
	Bluemont Co.	11125 Frankstown Rd.. 15235
TENNESSEE	KNOXVILLE	
	Master Repair Service	2423 Broadway, N.E. .. 37917
	MEMPHIS	
	Memphis Cycle & Supply Co.	421 Monroe Ave. 38103
	American Sales & Service, Inc. .	1922 Lynnbrook 38117
TEXAS	DALLAS	
	Marr Brothers, Inc.	423 E. Jefferson 75203
	HOUSTON	
	Bullard Supply Co.	2409 Commerce St. 77003
	SAN ANTONIO	
	Catto & Putty, Inc.	P.O. Box 2408 78206
	FORT WORTH	
	Woodson Sales Corp.	1702 N. Sylvania 76111
UTAH	SALT LAKE CITY	
	A-1 Engine & Mower Co.	437 E. 9th St. 84111
VERMONT	BURLINGTON	
	Vermont Appliance Co.	44 Lakeside Ave. 05401
VIRGINIA	RICHMOND	
	RBI Corp.	963 Myers St. 23260
WASHINGTON	SEATTLE	
	Bailey's Rebuild, Inc.	1325 E. Madison St. ... 98102
WEST VIRGINIA	CHARLESTON	
	Young's, Inc.	233 Virginia St., E. ... 25301
WISCONSIN	APPLETON	
	Automotive Supply Co.	123 S. Linwood Ave. .. 54911

WARRANTY PARTS AND SERVICE POLICY

The purpose of warranty is to protect the customer from defects in workmanship and materials, defects which are NOT detected at the time of manufacture, It does not provide for the unlimited and unrestricted replacement of parts. Use and maintenance are the responsibility of the customer. The manufacturer cannot assume responsibility for conditions over which it has no control. Simply put, if it's the manufacturer's fault, it's the manufacturer's responsibility; if it's the customer's fault, it's the customer's responsibility.

CLAIMS AGAINST THE MANUFACTURER'S WARRANTY INCLUDES

1. Replacement of Missing Parts on new equipment.
2. Replacement of Defective Parts within the warranty period.
3. Repair of Defects within the warranty period.

All claims MUST be substantiated with the following information:

1. Model Number of unit involved.
2. Date unit was purchased or first put into service.
3. Date of failure.
4. Nature of failure.