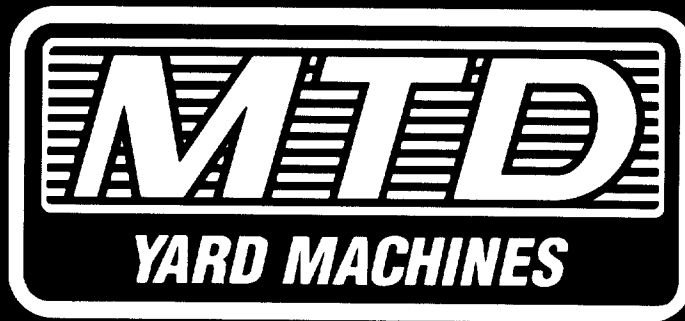


ILLUSTRATED PARTS

AMERICAN  AMERICAN
M A D E O W N E D
OUTDOOR POWER EQUIPMENT

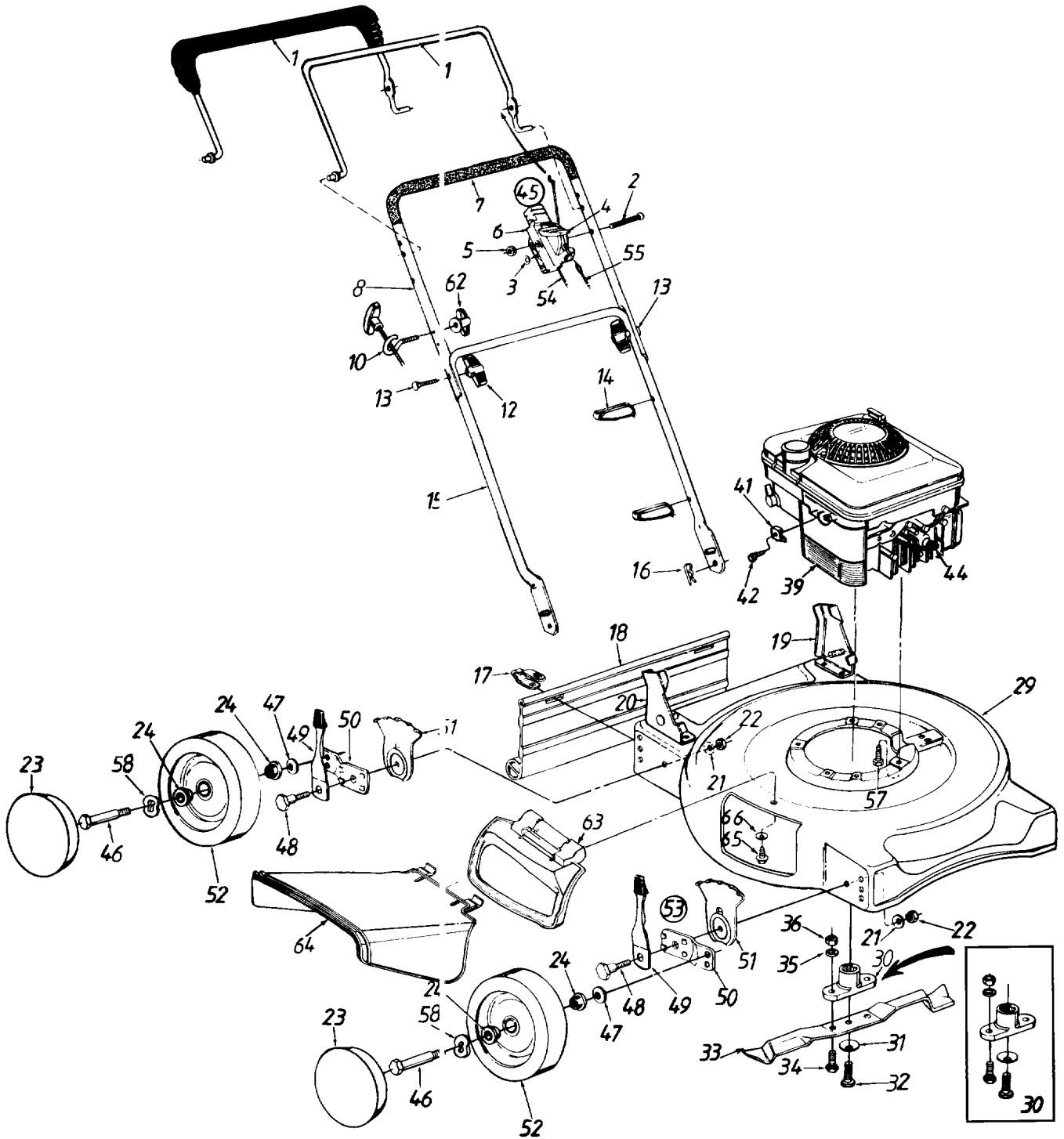


1996

PUSH MOWERS

Model Number	Pages
116-106C000 thru 116-109C000	2, 3
116-325A000 and 116-328C000	4, 5
116-410A000 thru 116-428N000	6, 7
Engine Shrouds	8

Models 106 thru 109





Models 106 thru 109

PARTS LIST FOR MODELS 106 THRU 109 ROTARY MOWERS

REF. NO.	PART NO.	CODE	DESCRIPTION	REF. NO.	PART NO.	CODE	DESCRIPTION
1	647-0004		Control Handle Ass'y. (Deluxe)	41	751B213146		Cable Clamp
	747-0824		Control Handle Ass'y. (Std.)	42	710-1237		Hex Self-Tap Scr. #10-32 x .62"
2	710-0605		Oval C-Sunk Scr.	44	735-0639		Spark Plug Boot
3	736-0501		Spr. Wash. .66" I.D.	45	811-00185		Throttle Box Comp. (Incl. Ref. 2, 3, 4, 5, 6)
4	746-0876		Throttle Lever				Axle Bolt
5	712-0324		Hex L-Nut 1/4-20 Thd.	46	738-0102		Bell-Wash. .400" I.D. x .88"
6	646-0875		Throttle Body	47	736-0105		Shld. Bolt .50" Dia. x .357"
7	720-0226		Grip (Optional)	48	738-0507B		Spring Lever Ass'y. w/Knob
8	749-0538C		Upper Handle	49	14832		Pivot Bar
10	710-1205		Rope Guide	50	15262B		Height Adj. Plate
12	720-0276		Hand Knob	51	15261A		Wheel Ass'y. Comp.
13	710-1174		Curved Hd. Bolt 5/16-18 x 2" Lg.	52	**		Height Adj. Ass'y. Comp.— R.F. & L.R.
14	726-0240		Cable Tie	53	14578		Height Adj. Ass'y. Comp.— L.F. & R.R.
15	749-0928		Lower Handle		14579		Throttle Cable—51"
16	714-0104		Hairpin Cotter	54	746-0842		Control Cable—39" (109A)
17	17098		Hinge Clip	55	746-0550		Control Cable—36" (106C, 108C)
18	731-1447		Rear Flap		746-0553		Hex L-Wash. Hd. Scr. 3/8-16 x 1.0" Lg.
19	12935B		Handle Bracket Ass'y.—L.H.	57	710-0654A		Wave Washer .51" I.D. (Used w/Ball Bearings)
20	12936B		Handle Bracket Ass'y.—R.H.	58	736-0504		Hex Wash. Hd. B-Tap Scr. 5/16-18 x .5" Lg.
21	736-0356		Bell-Wash. .39" I.D. x 1.38"	59	710-0603		Handle Knob 1/4-20 Thd.
22	712-0798		Hex Nut 3/8-16 Thd.*	62	720-0279		Mulching Plug
23	††		Hub Cap	63	682-7000		Chute Deflector
24	**		Bearing (Optional)	64	731-1409		Bell-Wash. 1/4" I.D.
29	682-0016		20" Deck Ass'y.	65	736-0270		Hex Wash. Hd. TT-Tap Scr. 1/4-20 x .5" Lg.
30	753-0484		Blade Adapter Kit	66	710-0599		
31	736-0452		Bell-Wash. .39" I.D.				
32	710-1044		Hex Bolt 3/8-24 x 1.5" Lg.				
33	742-0720		20" Mulching Blade				
34	710-1055		Hex Bolt 3/8-24 x 1" Lg.				
35	736-0169		L-Wash. 3/8" I.D.*				
36	712-0241		Hex Nut 3/8-24 Thd.				
39	—		Engine				

*For faster service obtain standard nuts, bolts and washers locally.
If these items cannot be obtained locally, order by part number
and size as shown on parts list.



**WHEEL CHART

Wheels w/o Bearings 	Wheels with Bearings†  (Brg. Part No. 741-0484) "S" Wave Tread
Bar Tread	
734-1781 (Gray— No Hub Cap)	734-1790 (Yellow)
634-0020 (Gray— Uses Hub Cap)	734-1517B (Beige)
	734-1513B (Gray)

†Require Wave Washer 736-0504

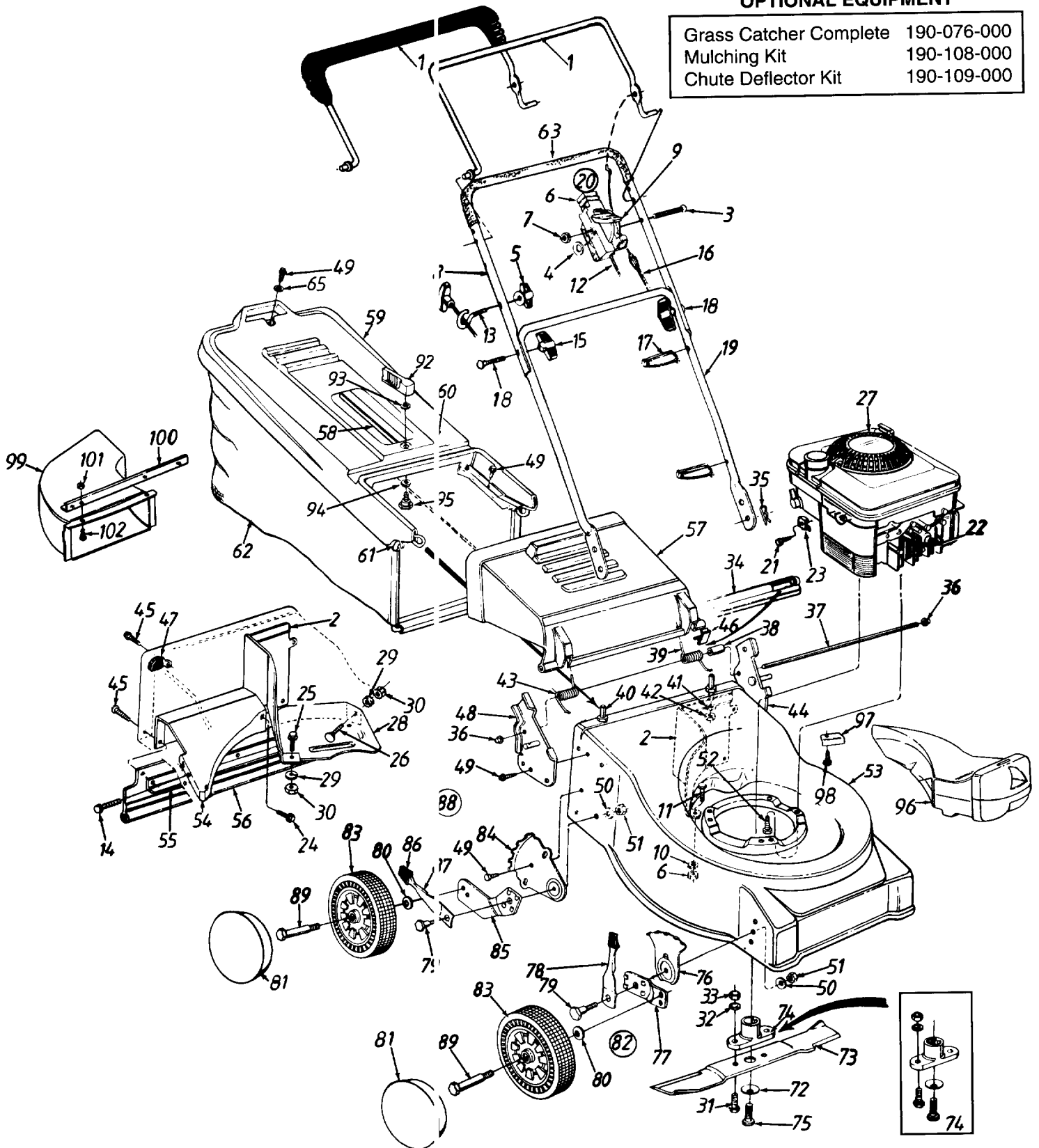
Models 325 and 328

**WHEEL CHART

Bar Tread 	"S" Wave Tread 
734-1781	734-1512A

OPTIONAL EQUIPMENT

Grass Catcher Complete	190-076-000
Mulching Kit	190-108-000
Chute Deflector Kit	190-109-000



Models 325 and 328

PARTS LIST FOR MODELS 325 AND 328 ROTARY MOWERS



REF. NO.	PART NO.	CODE	DESCRIPTION	REF. NO.	PART NO.	CODE	DESCRIPTION
1	747-0824		Control Handle Ass'y. (Std.)	48	12296B		Handle Brkt. Ass'y.—R.H.
	647-0004		Control Handle Ass'y. (Deluxe)	49	710-0896		Hex L-Wash. B-Tap Scr. 1/4 x .62" Lg.
2	17007		Rear Panel Baffle				Bell-Wash. .39" I.D.
3	710-0605		Oval C-Sunk Mach.-Scr.	50	736-0356		Hex Nut 3/8-16 Thd.*
4	736-0501		Spr. Wash. .66" I.D.	51	712-0798		Hex L-Wash. Hd. Scr. 3/8-16 x 1" Lg.
5	720-0279		Handle Knob 1/4-20 Thd.	52	710-0654A		21" Deck Ass'y.
6	646-0875		Throttle Body				Chute Baffle
7	712-0324		Hex L-Nut 1/4-20 Thd.	53	16998A		Retaining Strip 14.25" Lg.
8	749-0538C		Upper Handle	54	17008		Rear Flap 17.30" Lg.
9	746-0876		Throttle Lever	55	14847		Rear Chute Deflector
10	736-0270		Bell-Wash. 1/4" I.D.	56	731-0669		Hardtop Handle
11	710-0252		Hex Bolt 1/4-20 x .85**	57	731-0859A		Hardtop Bag Cover
12	746-0843		Throttle Control Wire—55" (328C)	58	731-0856A		Rear Catcher Frame
	746-0845		Throttle Control Wire—45" (325A)	59	731-0857A		Front Catcher Frame
13	710-1205		Rope Guide	60	749-0736A		Grass Bag
14	710-0653		Hex B-Tap Scr. 1/4 x .38" Lg.	61	764-0411		Foam Gript
15	720-0276		Hand Knob	62	764-0252		Fl-Wash. .281" I.D.
16	746-0554		Control Cable—40.5" (328C)	63	720-0226		Bell-Wash. .39" I.D.
	746-0555		Control Cable—55" (325A)	65	736-0463		21" Blade
17	726-0240		Cable Tie	72	736-0452		21" Mulching Bladet
18	710-1174		Curved Hd. Bolt 5/16-18 x 2" Lg.	73	742-0621		Blade Adapter Kit
19	749-0928		Lower Handle		742-0721		Hex Bolt 3/8-24 x 1.5" Lg.
20	811-00185		Throttle Box Comp. (Incl. Ref. 3, 4, 5, 6, 9)	74	753-0484		Height Adj. Plate
21	710-1237		Hex Self-Tap Scr. #10-32 x .62" Lg. (328C)	75	710-1044		Pivot Bar
	710-0871		Hex Sems Scr. #10-32 x .3" Lg. (325A)	76	15261A		Spring Lever Ass'y. w/Knob
22	735-0639		Spark Plug Boot	77	15262B		Shld. Bolt .50" Dia. x .357"
23	751B213146		Cable Clamp (328C)	78	14832		Bell-Wash. .38" I.D. x .88" O.D.
	7510007755		Cable Clamp (325A)	79	738-0507B		Hub Cap (5-1/2" Dia.)†
24	710-0352		Hex B-Tap Scr. 1/4 x .38" Lg.	80	736-0105		Hub Cap (3-1/2" Dia.)†
25	710-0252		Hex Bolt 1/4-20 x .85" Lg.	81	731-0981A		Height Adj. Ass'y. Comp.—R.H.
26	710-0134		Carriage Bolt 1/4-20 x .62" Lg.		720-0249		Height Adj. Ass'y. Comp.—L.H. (Not Shown)
27	—		Engine	82	14578		Wheel Ass'y. Comp.
28	17013A		Baffle	83	**		Index Plate
29	736-0329		L-Wash. 1/4" I.D.*	84	14764C		Pivot Bar—R.H.
30	712-0287		Hex Nut 1/4-20 Thd.*	85	14765		Pivot Bar—L.H. (Not Shown)
31	710-1055		Hex Bolt 3/8-24 x 1" Lg.		14766		Spring Lever Knob
32	736-0169		L-Wash. 3/8" I.D.	86	720-0190		Spring Lever
33	712-0241		Hex Nut 3/8-24 Thd.	87	732-0417A		Rear Height Adj. Ass'y. Comp.—R.H.
34	731-0858		Seal—Extrusion	88	16106		Rear Height Adj. Ass'y. Comp.—L.H. (Not Shown)
35	714-0104		Int. Cotter Pin 5/16" Dia.		16107		Axle Bolt
36	726-0106		Cap Speed Nut				Grass Catcher Locking Knob
37	747-0698B		Hinge Pin 17.75" Lg.	89	738-0102		Internal L-Wash. 1/4" I.D.
38	750-0566		Spacer .255" I.D.	92	720-0224		Wave Washer 3/8" I.D.
39	732-0577B		Torsion Spring—L.H.	93	736-0498		Shld. Bolt .342" Dia. x .268"
40	711-0805		Shld. Pin 3/8-24 x 1.43" Lg.	94	736-0286		Mulching Plug†
41	736-0169		L-Wash. 3/8" I.D.*	95	738-0137		Stop Bracket †
42	712-0711		Hex Jam Nut 3/8-24 Thd.	96	731-1446		Hex Tap Scr. 3/8-16 x .75" Lg.†
43	732-0578B		Torsion Spring—R.H.	97	782-7010		Chute Deflectort
44	12297B		Handle Brkt. Ass'y.—L.H.	98	710-1006		Chute Mounting Brkt.†
45	710-1017		Torx Mach. AB-Tap Scr. 1/4 x .62" Lg.	99	731-1461		Hex L-Nut 1/4-20 Thd.†
16	731-0970B		Deflector Plug	100	782-7011		Mach. Scr. 1/4-20 x .5" Lg.†
17	731-0931		Corner Plug	101	712-0324		
				102	710-0286		

†Optional Parts

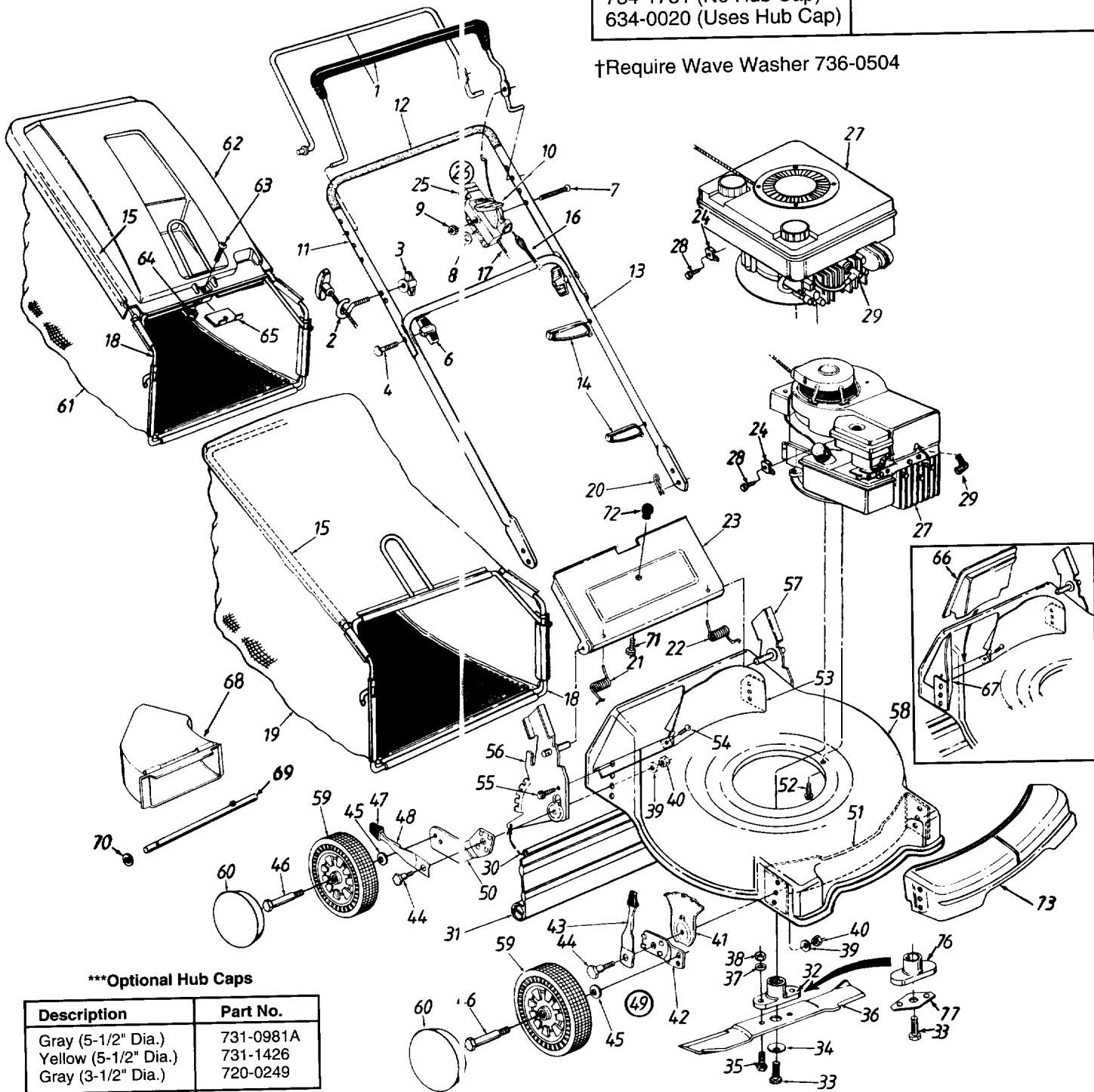
*For faster service obtain standard nuts, bolts and washers locally.
If these items cannot be obtained locally, order by part number
and size as shown on parts list.

Models 410 thru 428

**WHEEL CHART

Bar Tread  Wheel w/o Bearings	"S" Wave Tread  Wheel with Ball Brgs.† (Brg. Part No. 741-0484)
734-1781 (No Hub Cap) 634-0020 (Uses Hub Cap)	734-1790

†Require Wave Washer 736-0504



***Optional Hub Caps

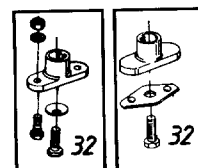
Description	Part No.
Gray (5-1/2" Dia.)	731-0981A
Yellow (5-1/2" Dia.)	731-1426
Gray (3-1/2" Dia.)	720-0249

COMPLETE GRASS CATCHER

Soft Top— Model 190-088-000
Hard Top— Model 190-091-000

ATTACHMENTS AVAILABLE

Mulching Kit— Model 190-082-000
Chute Deflector— Model 190-104-000



Models 410 thru 428

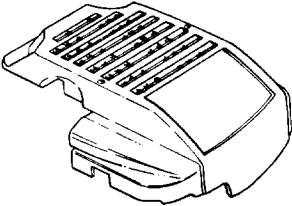
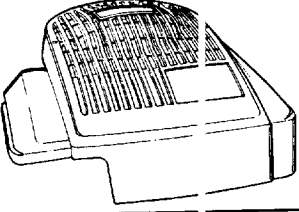
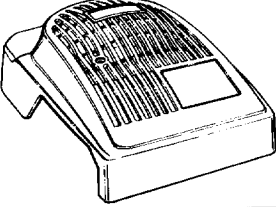
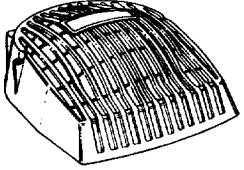
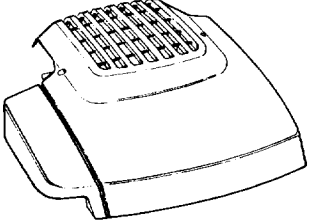
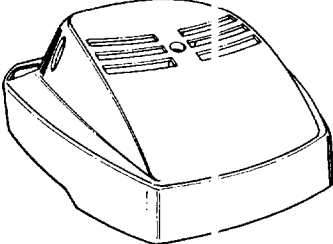
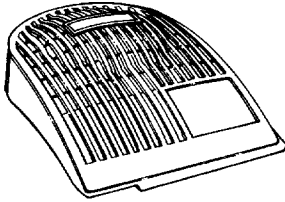
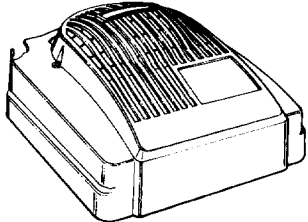
PARTS LIST FOR MODELS 410 THRU 428 ROTARY MOWERS

REF. NO.	PART NO.	CODE	DESCRIPTION	REF. NO.	PART NO.	CODE	DESCRIPTION
1	747-0824 647-0004 747-0615		Control Handle (Std.) Control Handle Ass'y. (Deluxe) Control Handle (116-428N022/722)	33 34 35 36	710-1044 736-0452 710-1055 742-0621 742-0721 742-0741		Hex Bolt 3/8-24 x 1.5" Lg. Bell-Wash. .39" I.D. Hex Bolt 3/8-24 x 1" Lg. 21" Blade 21" Mulching Blade (Optional) 21" Mulching Blade (116-418D401)
2	710-1205		Rope Guide	37	736-0169		L-Wash. 3/8" I.D.*
3	720-0279		Handle Knob 1/4-20 Thd.	38	712-0241		Hex Nut 3/8-24 Thd.
4	710-1174		Curved Hd. Bolt 5/16-18 x 2" Lg.	39	736-0356		Bell-Wash. .39" I.D. x 1.38"
6	720-0276		Hand Knob	40	712-0798		Hex Nut 3/8-16 Thd.*
7	710-0605 710-1270		Oval C-Sunk Mach. Scr. Oval C-Sunk Mach. Scr. (Model 425 Only)	41	15261A		Height Adj. Plate
8	736-0501		Spr. Wash. .66" I.D.	42	15262B		Pivot Bar
9	712-0324		Hex L-Nut 1/4-20 Thd.	43	14832		Spring Lever Ass'y. w/Knob
10	746-0876		Throttle Lever	44	738-0507B		Shld. Bolt .5" Dia. x .357"
11	749-0538C 749-0920A		Upper Handle Upper Handle (116-428N022/722)	45 46 47	736-0105 738-0102 720-0190		Bell-Wash. .38" I.D. x .88" O.D. Axle Bolt Spring Lever Knob
12	720-0226		Foam Grip (Optional)	48	732-0417A		Spring Lever
13	749-0928		Lower Handle	49	14578		Height Adj. Ass'y. Comp.—R.H.
14	726-0240		Cable Tie		14579		Height Adj. Ass'y. Comp.—L.H. (Not Shown)
15	764-0310		Rear Catcher Frame†	50	14765		Pivot Bar
16	746-0550		Control Cable—39" (410, 412, 414, 424)	51	782-5002		Front Baffle
	746-0737		Control Cable—51" (411, 413, 423, 425)	52	710-0654		Hex L-Wash. Hd. Scr. 3/8-16 x 1" Lg.
	746-0553		Control Cable—36" (416, 418, 426, 428)	53	782-5003		Rear Baffle
17	746-0847		Throttle Control Wire—42" (411, 413, 423, 425)	54	710-1017		Torx Mach. AB-Tap Scr. 1/4 x .62" Lg.
	746-0843		Throttle Control Wire—55" (416, 418, 426, 428)	55	710-0892		Hex L-Wash. Hd. AB-Tap Scr. 1/4 x .62" Lg.
18	764-0311		Front Catcher Frame†	56	682-0516		Handle Brkt. Ass'y.—R.H.
19	764-0309		Grass Bag†	57	682-0515		Handle Brkt. Ass'y.—L.H.
	764-0457		Grass Bag w/Logo†	58	782-0310		21" R.D. Deck
20	714-0104		Int. Cotter Pin 5/16" Dia.	59	**		Wheel Ass'y. Comp.
21	732-0678		Door Spring—R.H.	60	***		Hub Cap
22	732-0677		Door Spring—L.H.	61	764-0433		Grass Bag††
23	782-7000		Rear Discharge Door	62	731-1322		Hard Top Cover††
24	751B213146 7510007755		Cable Clamp (B&S) Casing Clamp (Tec.)	63	710-0286		Pan Hd. Mach. Scr. 1/4-20 x .5" Lg.††
25	646-0875		Throttle Body	64	712-0324		Hex Nylon L-Nut 1/4-20 Thd.††
26	811-00185		Throttle Box Comp. (Incl. Ref. 7, 8, 9, 10, 25)	65	782-9011		Mounting Bracket††
27	—		Engine	66	782-5007		Mulching Baffle Plug (Optional)
28	710-1237		Hex Wash. Hd. Scr. #10-32 x .62" Lg.	67	782-5004		Mulching Baffle—R.R. (Optional)
	710-0871		Hex Sems Scr. #10-32 x .3" Lg. (Tec.)	68	731-1405		Deflector (Optional)
29	735-0639		Spark Plug Boot (Optional)	69	711-0996		Rod (Optional)
30	732-0700		Wire Rod	70	726-0201		Push Speed Nut (Optional)
31	731-1236		Rear Flap	71	710-0192		Truss Scr. #10-24 x .38" Lg.
32	753-0484		Blade Adapter Kit	72	720-0275		Knob
				73	731-1506		Deck Shroud (Optional)†
				76	748-0376		Blade Adapter (116-418D401)
				77	736-0524		Blade Bell Support (116-418D401)

†Models 410 thru 418 only.

††Models 423 thru 428 only.

OPTIONAL ENGINE SHROUDS

							
Part No. 751B281439 751B281440 751B281443	Color Dark Red Black Bright Red	Part No. 731-1395 731-1396 731-1397	Color Red Black Gray	Part No. 731-1587 731-1603 731-1610	Color Black Yellow Pewter	Part No. 731-1561 731-1612	Color Black Red
Hardware: 710-1256 (Screw)		Hardware: 710-1256 (Screw)		Hardware: 710-1184 (Screw)		Hardware: 7510042823 (Screw)	
							
Part No. 731-1402A 731-1694 731-1695	Color Yellow Black Silver	Part No. 7510014308	Color Black	Part No. 731-1585A	Color Black	Part No. 731-1586A	Color Black
Hardware: 710-1256 (Screw)		Hardware: 7510042823 (Screw)		Hardware: 710-1274 (Screw)		Hardware: 7510042823 (Screw)	