

Operator's manual
DT18
DT18C

Please read these instructions carefully and make sure
you understand them before using the machine.

English

TABLE OF CONTENTS

Operating Instructions for Lawn Dethatcher DT18, DT18C with supplement for accessories

Introduction	2	Replacing the air filter	25
Congratulations	2	Cleaning the sludge reservoir	26
Use	2	Idle adjustment	26
Insure your machine	2	Ignition system	27
Good service	2	Cutting unit	28
Serial number	2	Two minute rule	32
Symbols and decals	3	Cleaning and washing	32
Decals and machine-bound instructions	3	Lubrication	33
Location of decals	4	Lubrication schedule	33
Translation of instructions	5	General	33
Safety instructions	6	Engine oil	34
General use	6	Oil change reduction gear 1:6	35
Preparations	8	Depth knob with depth lock	36
Running	9	Blades	36
Movement/Transport	10	Depth lever	36
Storage	10	Handle	36
Children	10	Troubleshooting	37
Fuel system	11	Storage	38
Maintenance	12	Winter storage	38
Presentation	13	Service	38
Presentation	13	Technical data	39
Main components and operating instruments	14	Wiring diagram	40
Engine	15	Assembly instructions	41
Cutting unit	19	Assembly – delivery service	41
Blade versatility	20	Assembly directions, catcher bag DT18	42
Setting blade height	20	Assembly directions, seed hopper SD18	43
Running	21	Supplement	45
Starting the engine	21	Instructions for the catcher bag	45
Cutting the engine	22	Instructions for the seeder	46
Before you start	23	Service journal	47
Starting	23	Delivery service	47
Finishing	23	After the first 20 hours	47
Maintenance	24		
Maintenance schedule	24		

INTRODUCTION

Congratulations

Thank you for purchasing a Husqvarna lawn care product. Through your confidence in us, you have chosen an exceptionally high quality product.

This manual is a valuable document. It describes your new Husqvarna machine. Read the manual carefully before attempting to use the machine. Following the instructions (use, service, maintenance, etc.) can considerably increase the lifespan of your machine and even increase its resale value. Please contact your dealer for more information.

If you sell your Husqvarna machine, make sure to give the operator's manual to the new owner.

Use

The dethatcher is used to remove the layer of thatch and surface-treat lawns, i.e. power-raking, de-mossing and collecting thatch in the form of old grass or moss. With an attachment, it can even be used for seeding, both in initial sowing or overseeding.

Insure your machine

Contact your insurance company to check on insurance coverage for your new machine. You should have all-inclusive insurance for liability, fire, damage and theft.

Good service

Husqvarna's products are sold all over the world and only in specialized retail trade with complete service. This ensures that you as a customer get only the best support and service. Before the machine was delivered it underwent inspection and was adjusted by your dealer. When you need spare parts or support in service questions, guarantee issues, etc., please consult the following professional:

This Operator's Manual belongs to machine with serial number:	Engine number:

Serial number

The machine's serial number can be found on the printed plate attached to the rear side panel of the machine. The plate includes the following information:

- The machine's type designation (MODEL).
- The machine's serial number (S/N).

Please state the type designation and serial number when ordering spare parts.

The engine's serial number is punched in the crankcase above the oil drainage screw.

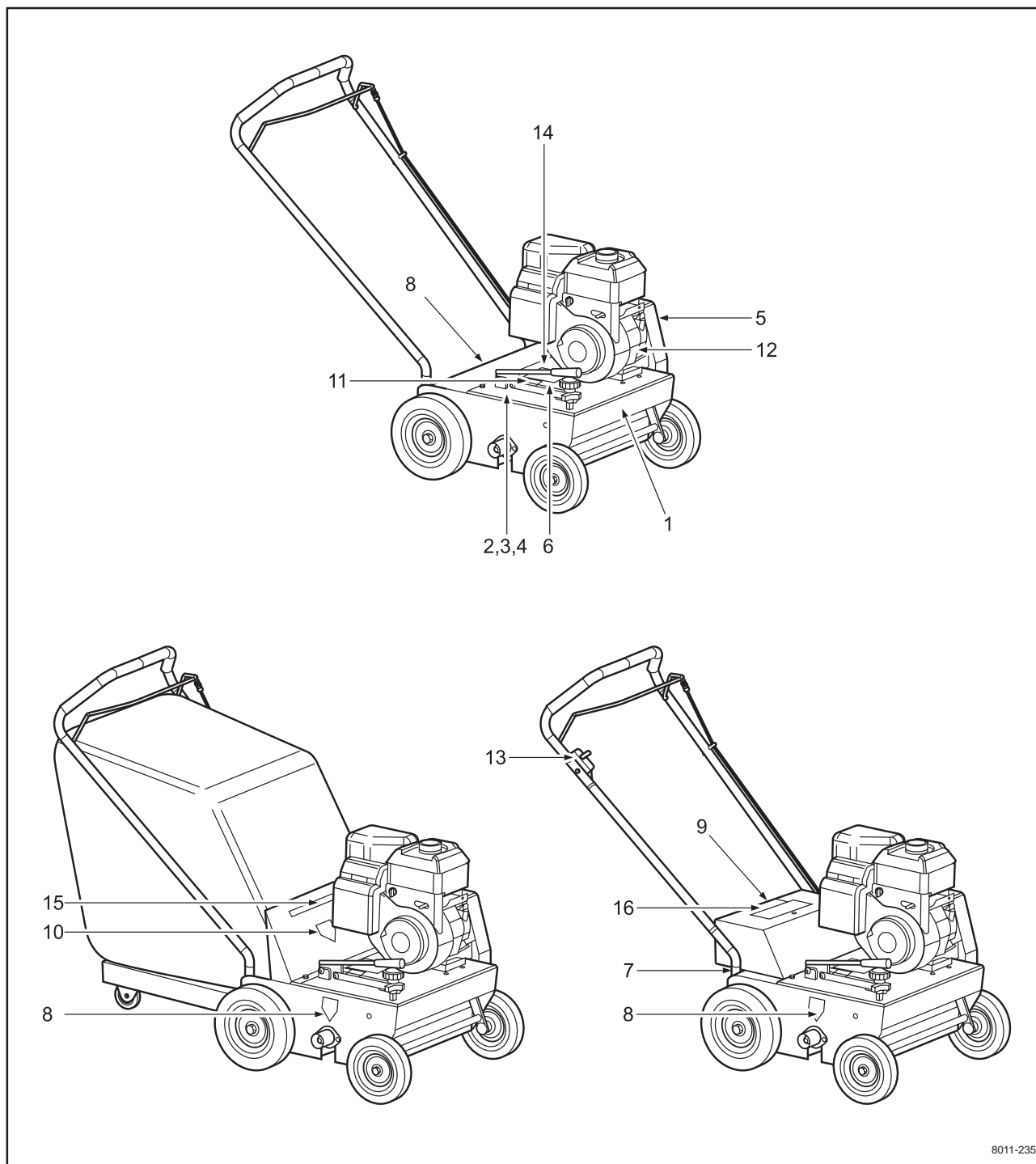
The engine type is specified on the crankcase under the air filter but also appears on the decal on the starter.

Please state these when ordering replacement engine parts.



SYMBOLS AND DECALS

Location of decals



8011-235

SYMBOLS AND DECALS

Translation of instructions

Decal 9

Seed application chart

Values are approximate; quantities of seed depend on the speed at which the machine is run. Faster running speed results in sparser sowing.

Preparing the lawn

- Cut the grass to approximately 1-1.5 cm (1/2").
- Do not water before sowing.
- Remove the layer of old grass cuttings (thatch).
- Aerate the lawn with a ground aerator of the coring type.
- Fertilize the lawn.

Seed application recommendations

- For best results, sow in two directions with a 45° angle between.
- Water generously immediately afterward and continue watering moderately for 10–14 days to keep the soil moist.
- After germination, water sporadically to encourage root growth.

Decal 12

Warning

Engine exhaust, some of its constituents and certain vehicle components contain or emit chemicals considered by the State of California to cause cancer, birth defects or other reproductive harm. The engine emits carbon monoxide, which is a colorless, poisonous gas. Do not use the machine in enclosed spaces.

Decal 14

Important information

Read and make sure you understand the Operator's Manual before use or maintenance.

To obtain a replacement manual, please contact your dealer.

Observe all safety instructions; otherwise you may injure yourself or others around you.

Make sure that the machine is in serviceable condition prior to use.

Make sure that all protective devices are in place when the machine is in use.

Stop the engine and wait until all machine movement comes to a standstill before service, adjustment or cleaning.

Do not run the engine in poorly ventilated spaces.

Make sure nobody is in the vicinity of the machine before starting and during use.

Avoid slopes that are too steep to use the machine safely.

Clear any debris from the lawn prior to use.

SAFETY INSTRUCTIONS

General use

The object of this manual is to help you use your Husqvarna machine more safely and to give you information about how to maintain your machine. Please read the manual carefully before attempting to use the machine.

If after reading the operator's manual you are still unsure about the safety risks associated with use of the machine, you should not use the machine. Please contact your dealer for more information.

These safety instructions only address the basics for safe use. It would be impossible in the safety instructions to describe all possible risk situations that could arise when using the machine. You can, however, prevent accidents by always using common sense.

To obtain extra copies of the operator's manual, please contact your dealer.



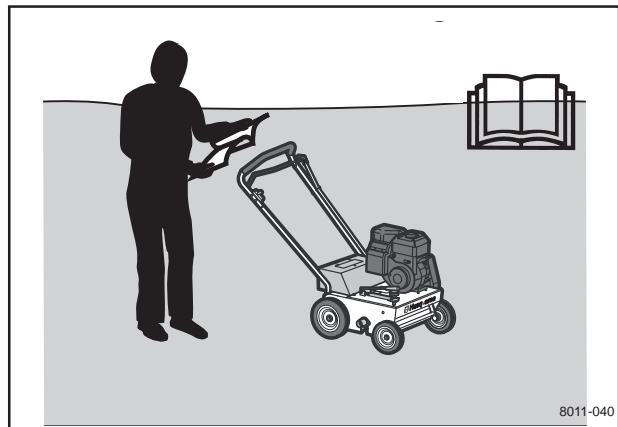
WARNING!

Under no circumstances may the original design of the machine be modified without written approval from the manufacturer. Such modifications not only affect the performance and durability of the machine but may even pose a safety risk for users and those in the vicinity. Unauthorized modifications to the design of the machine may absolve the manufacturer from liability for any resulting personal injury or property damage. Modifying the machine without written approval from the manufacturer may void the guarantee.

IMPORTANT INFORMATION

Do not use the machine until you have read the operator's manual carefully and understand the instructions given. All maintenance work or adjustments not described in this manual must be performed by an authorized Husqvarna service workshop.

- Read this manual carefully and make sure you understand it before using the machine or performing any maintenance. If the user cannot read this manual, it is the responsibility of the machine owner to explain the contents to the user.
- Follow all safety instructions. Failure to do so may result in injury to yourself or others.
- Accident prevention regulations, other general safety regulations, occupational safety rules and traffic regulations must be followed without fail.
- All users shall be trained in use of the machine. The owner is responsible for training users.
- Engage an authorized Husqvarna workshop for all service and repairs not described in this manual.



Read this manual carefully before starting the machine.

SAFETY INSTRUCTIONS

- Husqvarna original spare parts are designed and specified to maintain high quality and correct fit for optimal durability and lifespan. From a safety point of view, you should only use Husqvarna original spare parts.
- Check that all safety decals are in place. See the chapter "Symbols and decals".
- Learn how to use the machine and its controls safely and learn to recognize the safety decals.
- Only use the machine for sowing and dethatching lawns. It is not intended for any other use.
- Check that the machine is in serviceable condition prior to use; see the chapter "Maintenance/Maintenance schedule".
- Only use the machine in daylight or in other well-lit conditions. Keep the machine a safe distance from holes or other irregularities in the ground. Pay attention to other possible risks.
- Only allow the machine to be used by adults who are familiar with its use.
- Never allow children or persons not trained in the use of the machine to use or service it. Local laws may regulate the age of the user.
- People and animals can distract you causing you to lose control of the machine. For this reason, you should always concentrate and focus on the task at hand.
- Never leave the machine unsupervised with the engine running.
- Make sure that other people are nearby when you are using the machine so that you can call for help should an emergency arise.
- The machine is tested and approved only with the equipment originally provided or recommended by the manufacturer.



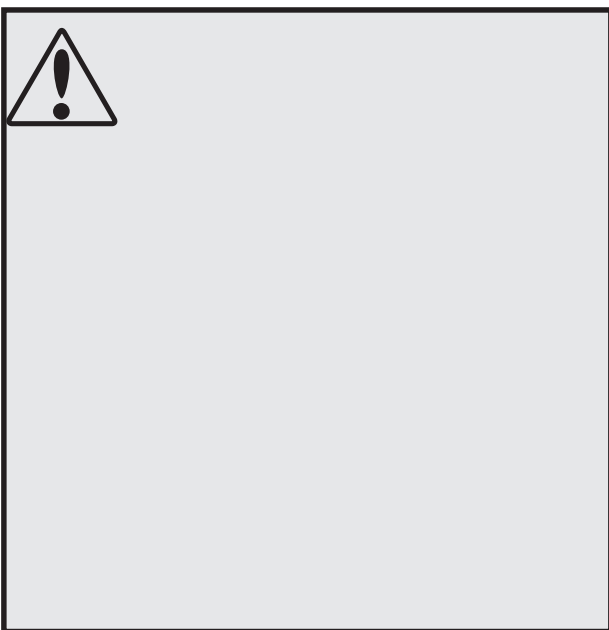
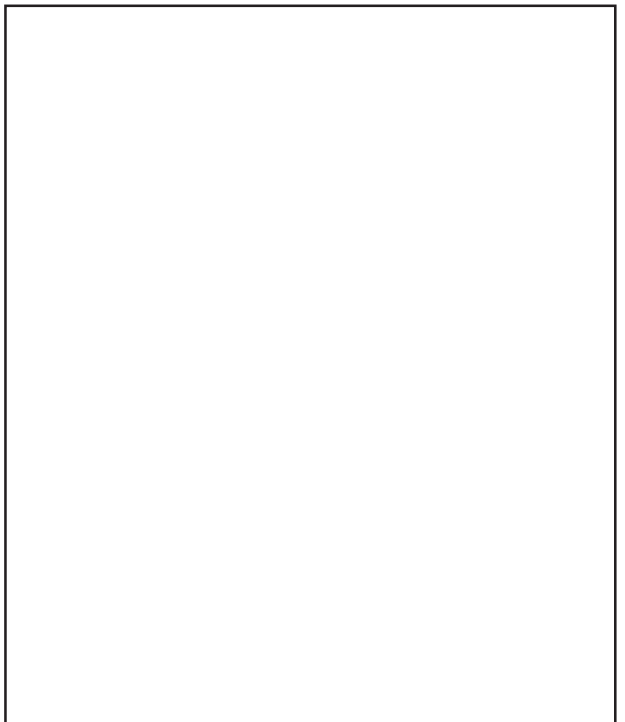
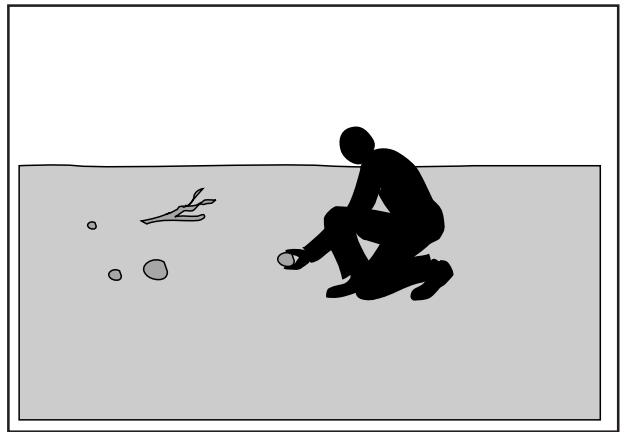
WARNING!

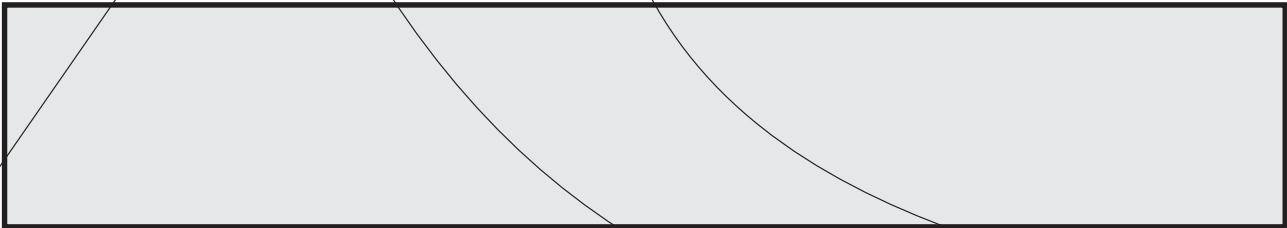
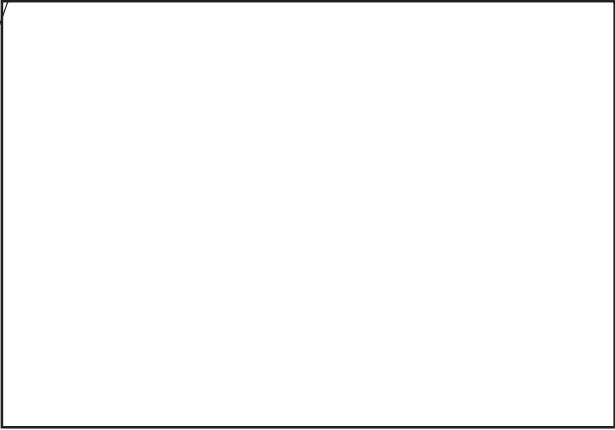
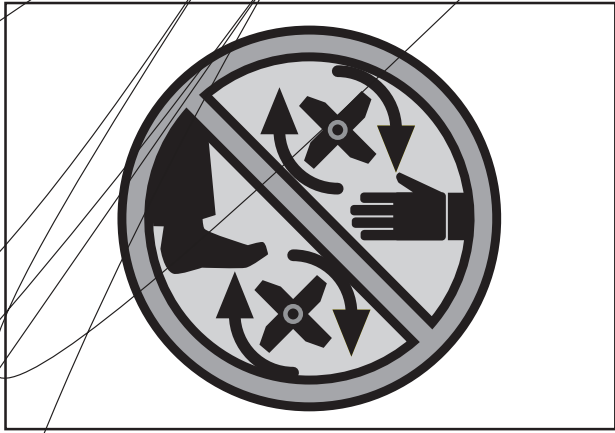
The engine can become very hot. To avoid being burned, you must turn off the engine and wait until all parts have cooled before touching the engine.

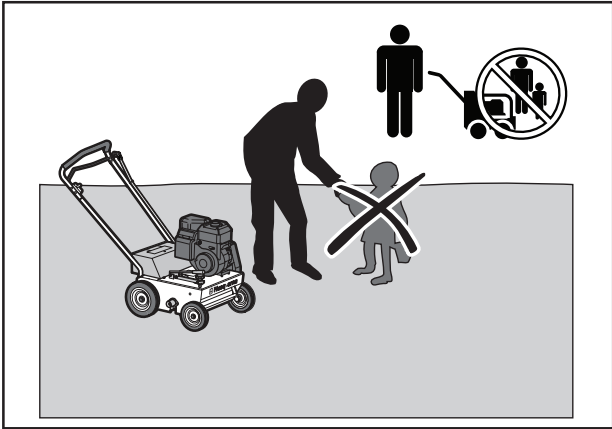
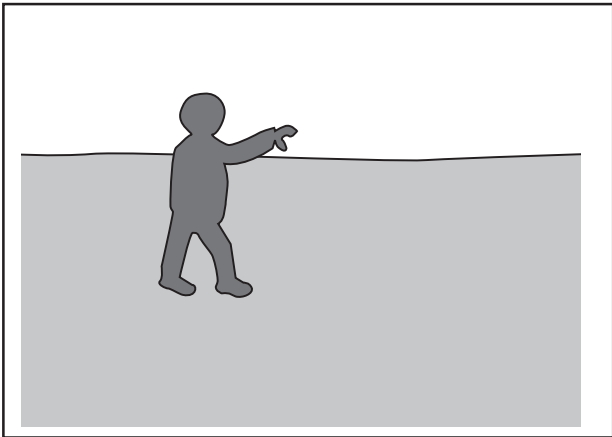
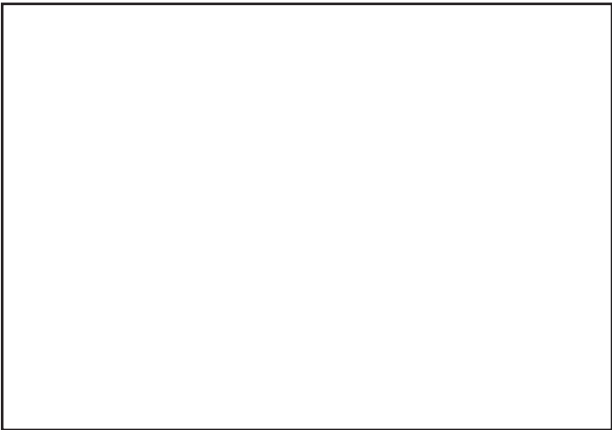


WARNING!

Overexposure to vibration may lead to circulatory or nerve damage, particularly in people who have impaired circulation. Contact your doctor if you experience symptoms that could have been caused by overexposure to vibration. Examples of common symptoms include numbness, pain, muscle weakness, change of skin color or an uncomfortable feeling of tingling. These symptoms appear most frequently in the fingers, hands or wrists.





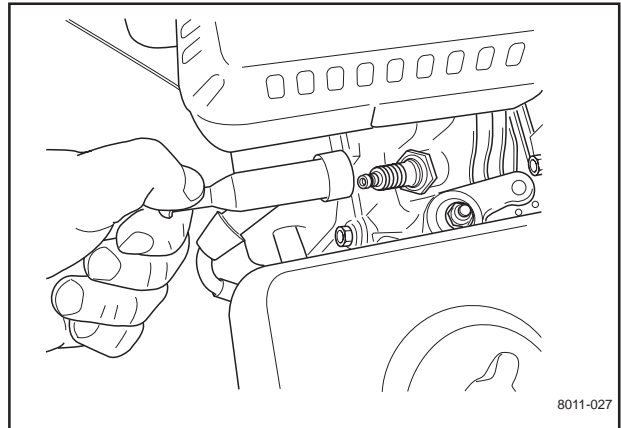




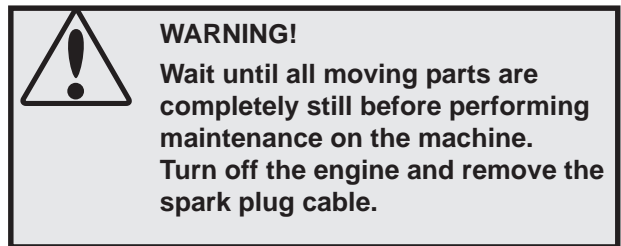
SAFETY INSTRUCTIONS

Maintenance

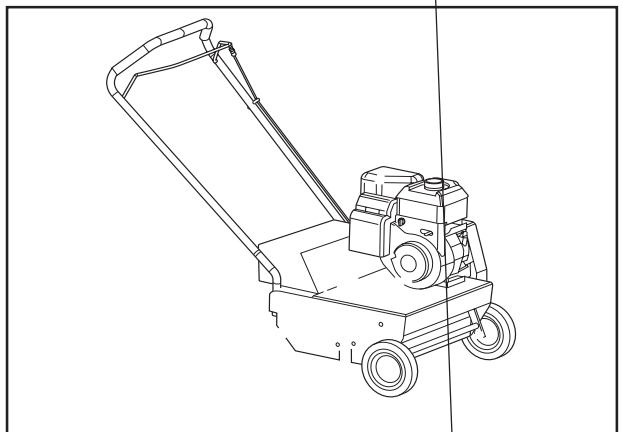
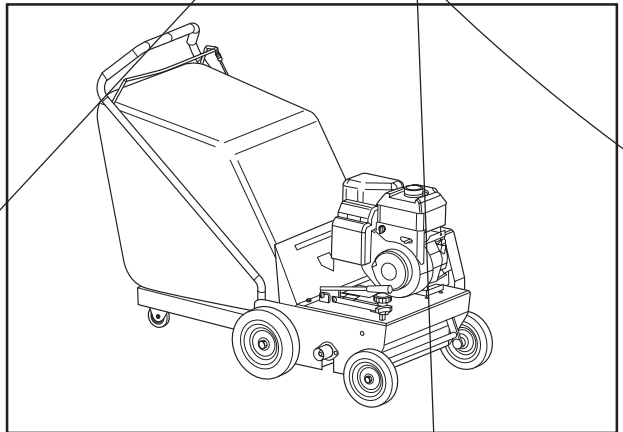
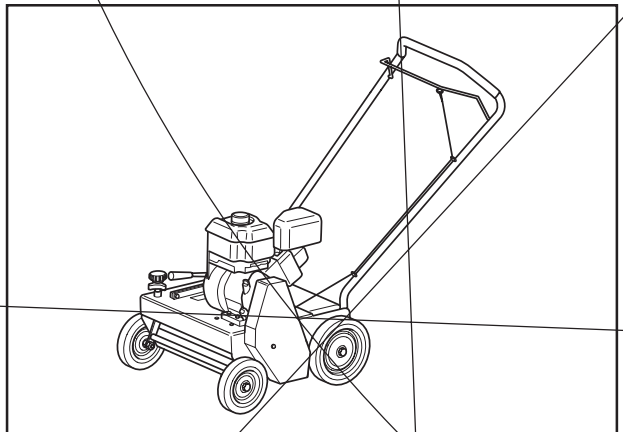
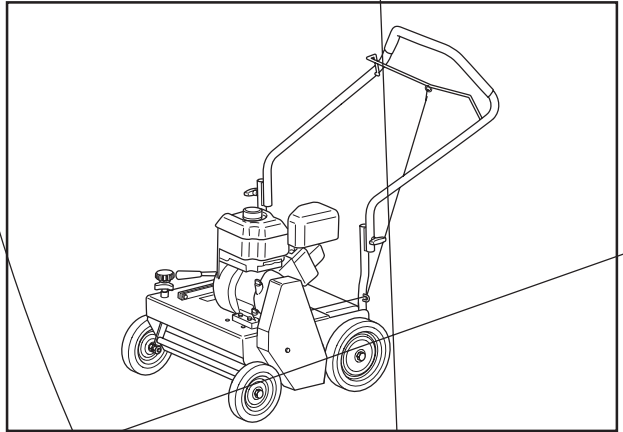
- Never make adjustments with the engine running.
- Disengage the drive units, shut off the engine and wait until all moving parts come to a complete stop before making adjustments, performing maintenance or cleaning the machine.
- Disconnect the spark plug cable before beginning repair work.
- Keep all components in serviceable condition and make sure all nuts, bolts, etc. are tight. Replace worn or damaged decals.
- Be careful when checking work tools. Use gloves when performing maintenance work.
- Never allow persons not trained in the use of the machine to perform service on it.
- Always park the machine on even ground before performing maintenance or making adjustments.
- Do not disassemble the engine. This can invalidate your guarantee. Contact your dealer if you have any questions regarding service or guarantee matters. Follow all maintenance instructions.
- Do not change the setting of governors and avoid running the engine with overly high RPMs. If you run the engine too fast, you risk damaging the machine components.
- Do not modify safety equipment. Check regularly to be sure it works properly. The machine must not be run with defective or disassembled safety equipment.
- The muffler is designed to maintain sound levels at an approved level and keep direct exhaust away from the user. Exhaust gases from the engine are extremely hot and may contain sparks that can cause fires or burn the user.
- Never use a machine with a defective muffler.
- Reduce the risk of fire by removing grass, leaves and other debris that may have fastened in the machine.



Disconnect the spark plug cable before repair work.

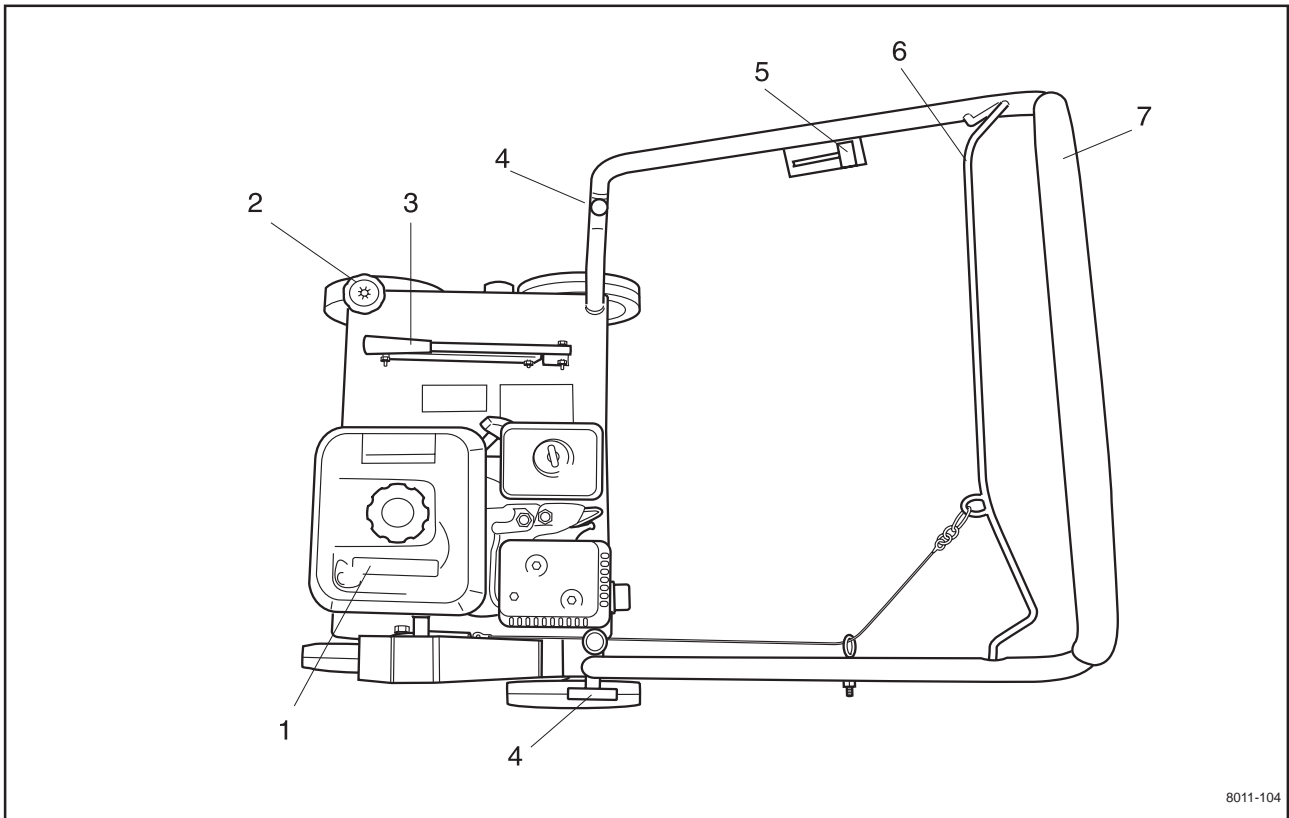


Keep the machine clean.



PRESENTATION

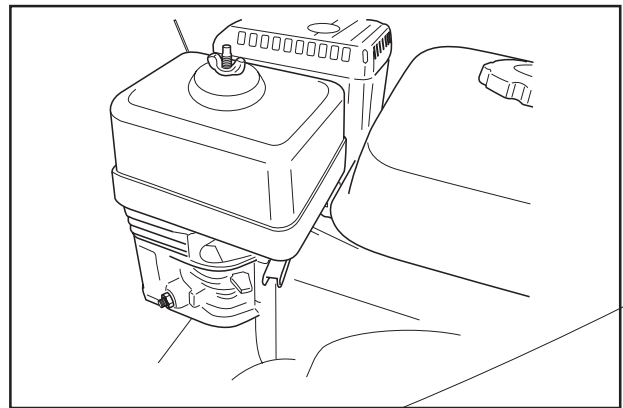
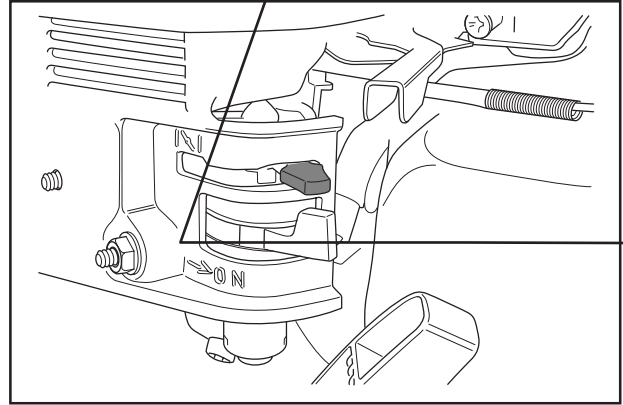
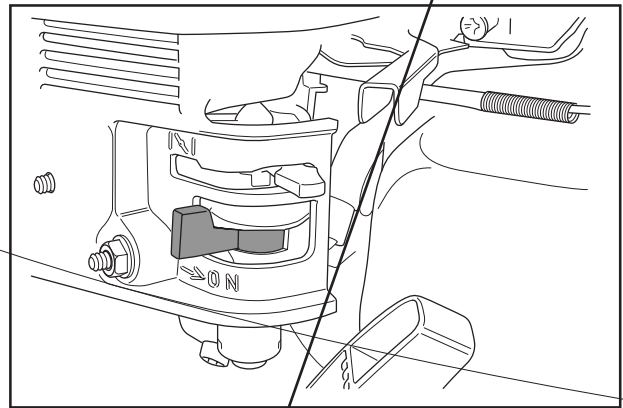
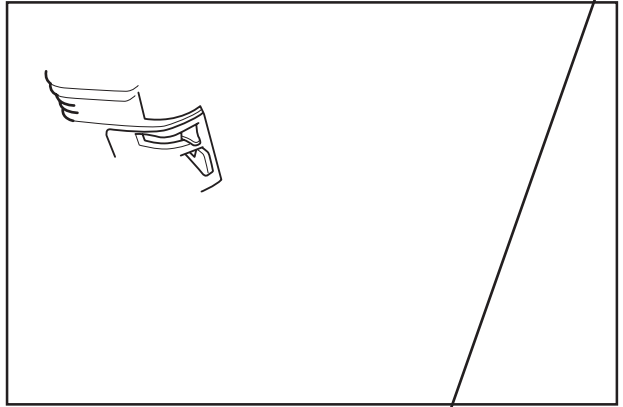
Main components and operating instruments



8011-104

- | | |
|--|--|
| 1. Engine | 5. Control for seed hopper (Option DT18) |
| 2. Depth knob with depth lock | 6. Clutch bar |
| 3. Depth lever | 7. Handle |
| 4. Knob for collapsible handle (DT18C) | |





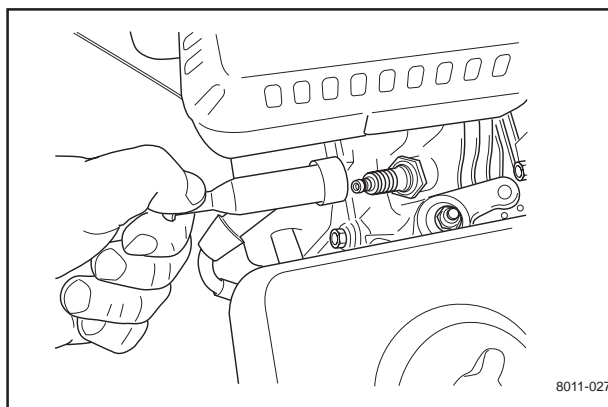
PRESENTATION

Spark plug

The engine spark plug is hidden under the ignition cable shoe. When performing service, it is important that the engine cannot start accidentally. For this reason, always remove the ignition cable shoe from the spark plug. To avoid pulling the cable, the cable shoe is equipped with a special handle; see the illustration.

Type of spark plug, see chapter "Technical data".

Service instructions, see chapter "Maintenance/ Ignition system".



Muffler

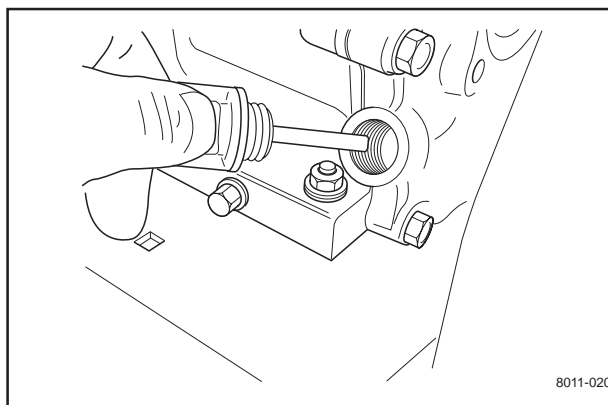
The engine muffler is equipped with a heat protective cowling. Nonetheless, it still becomes hot when the engine is running. Avoid touching the muffler when it is warm. Risk for burns.

Oil dipstick

The dipstick for the crankcase oil reservoir is located on the front of the engine. Refill the engine oil in the hole where the dipstick fits.

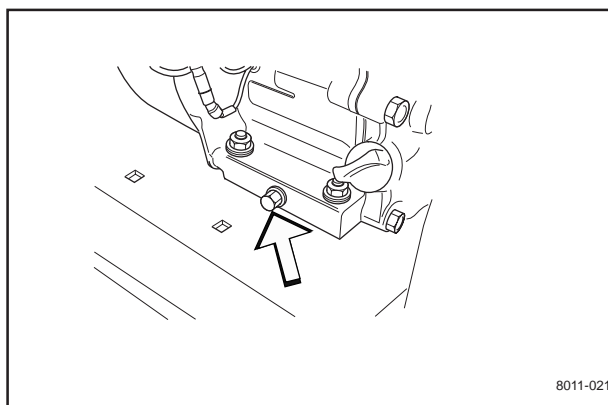
When checking the oil level, the dipstick should **not** be screwed in. The machine should be parked on even ground with the engine stopped. Never run the engine without the dipstick in place. The engine has an electronic oil level guard. It stops and cannot be started if the level becomes too low. Yet you should not rely entirely on the level guard; rather you should check the oil using the dipstick.

For normal use, we recommend SAE 10W-30-weight engine oil service SF-SG; see also the chapter "Lubrication/Engine oil".



Oil drainage

The drainage screw for the crankcase oil reservoir is located on the front of the engine.

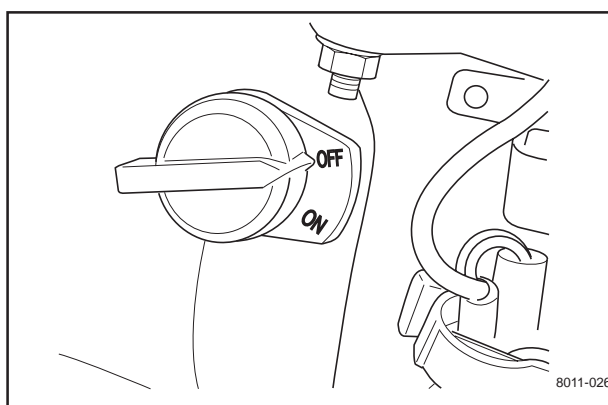


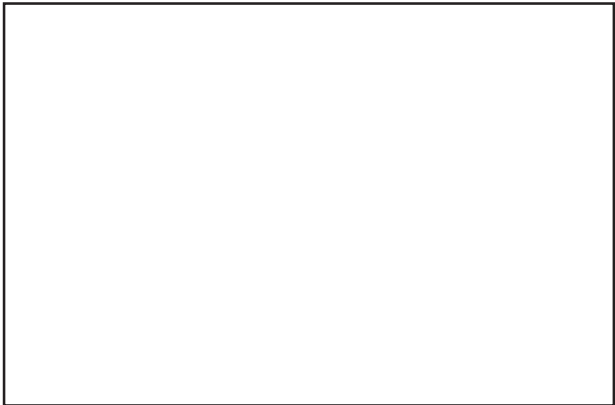
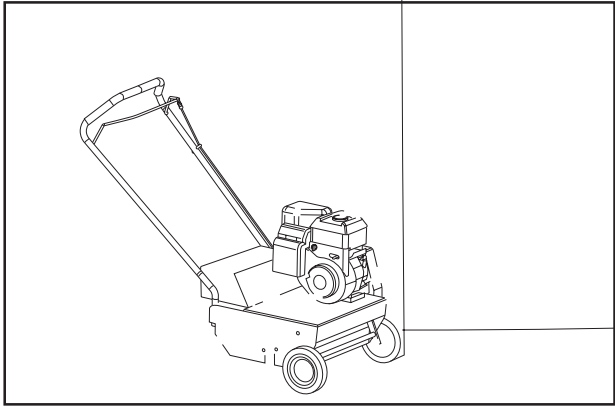
IMPORTANT INFORMATION

Used engine oil is a health hazard and legislation prohibits disposal on the ground or in nature; it should always be disposed of at a workshop or appropriate disposal location. Avoid skin contact; wash with soap and water in case of spills.

Engine switch

The engine switch stops the engine. The illustration shows the switch in the OFF position (short circuited electrical system). To start the engine, the switch must be first set to the ON position.



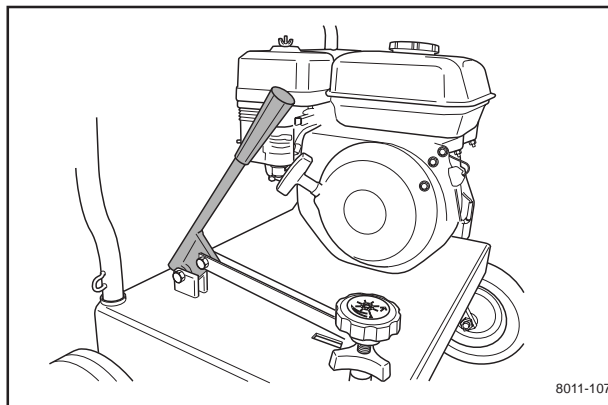


PRESENTATION

Cutting unit

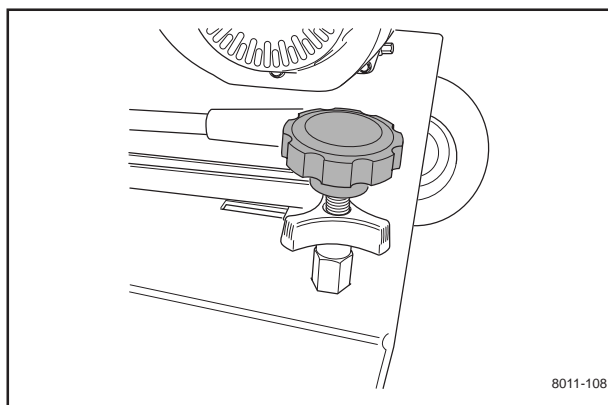
Depth lever

Use the depth lever to raise and lower the blades between working and transport position. When the lever is up, the blades are in working position.



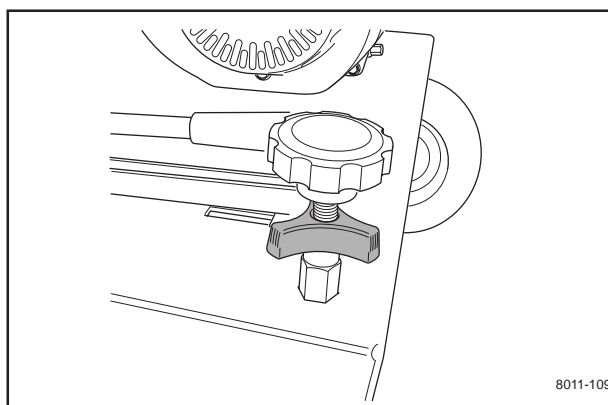
Depth knob

The knob is used to adjust the cutting depth of the blades. Turning the knob counterclockwise increases the working depth.



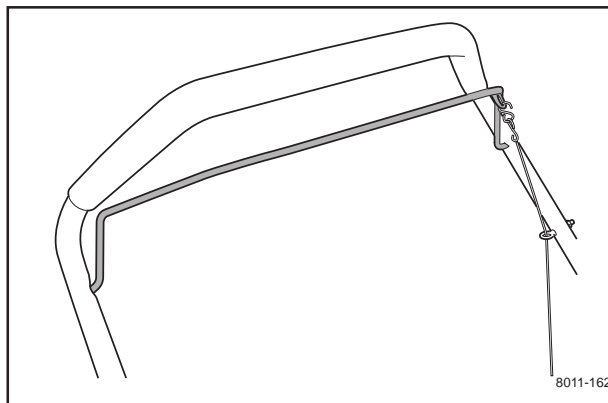
Depth lock

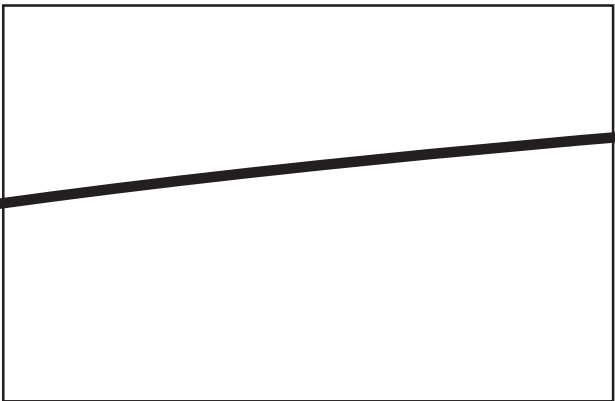
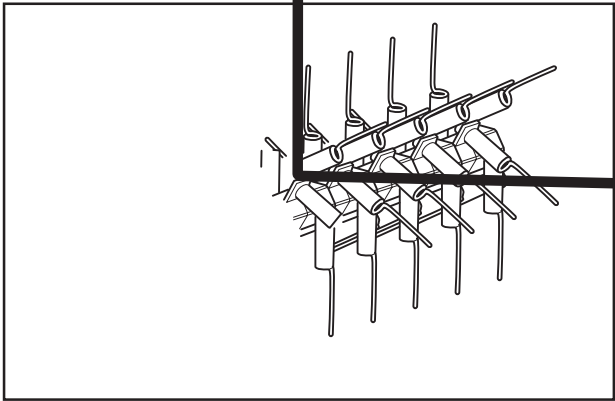
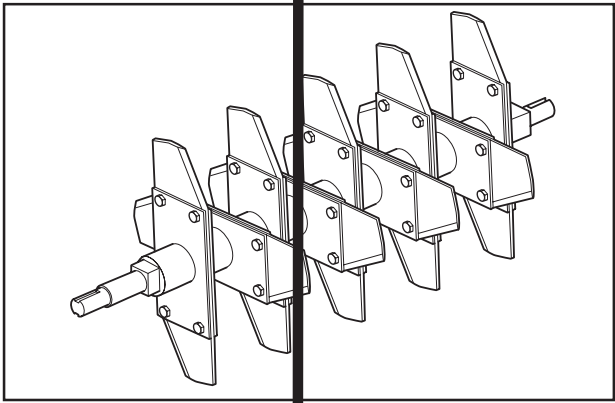
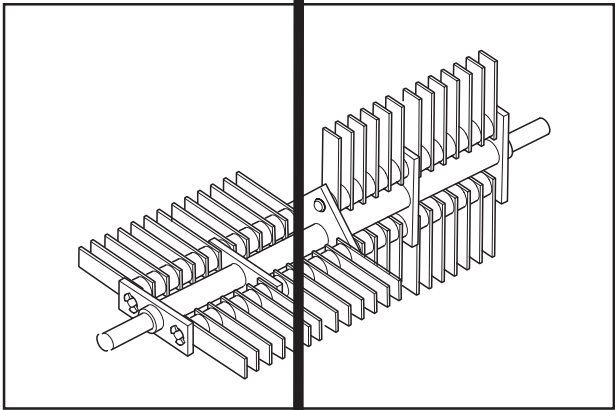
The screw under the depth knob is used to lock the depth knob to prevent it being changed by machine vibrations. Undo the depth lock by turning it counterclockwise before turning the depth knob. Secure the depth knob with the depth lock after adjusting settings.

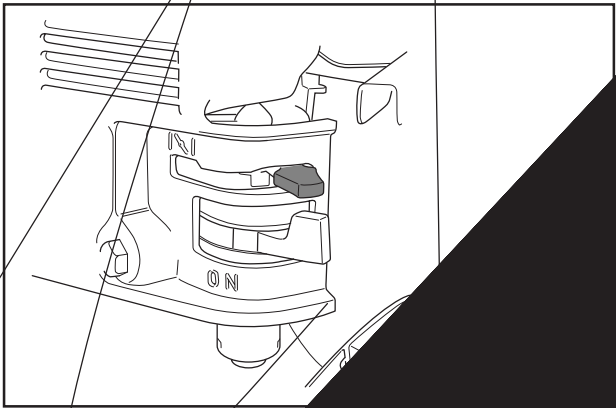
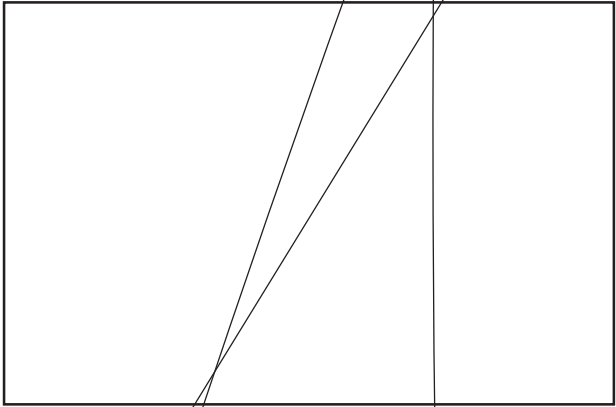


Clutch

The clutch tightens the drive belt and engages the drive for the blades. When the clutch lever is pressed against the handle, the blades begin to rotate. Hold the clutch tightly when working so that the belt does not slide.





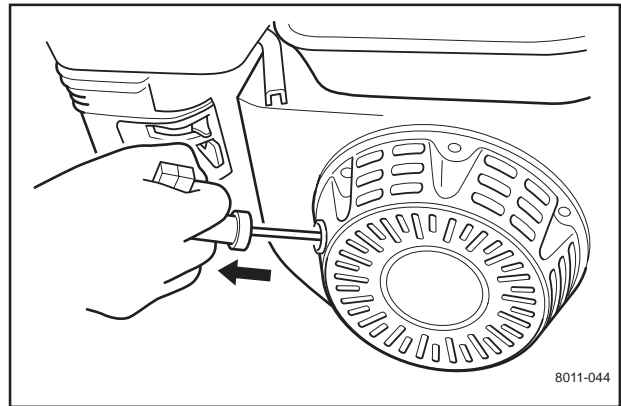


RUNNING

Starter handle

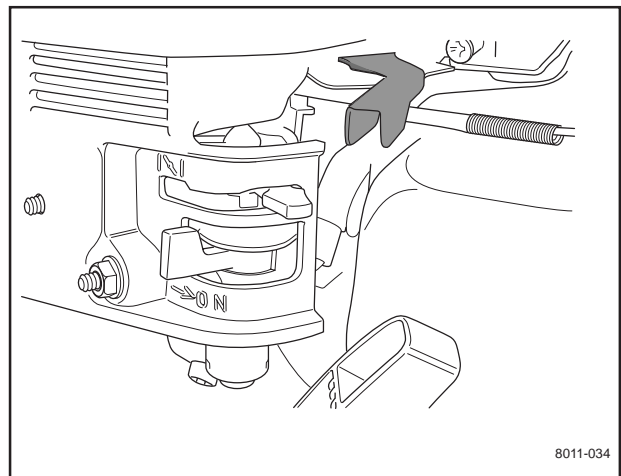
Misuse of the starter handle can damage the starter. Do not twist the starter cord around your hand.

Pull out the handle slowly until the gears mesh. Then give a sharp pull on the starter handle. Do not pull out the starter cord completely and do not let go of the starter handle when extended.



Throttle control

Adjust the engine speed with the throttle. Moving the lever to the left increases throttle and to the right decreases throttle.

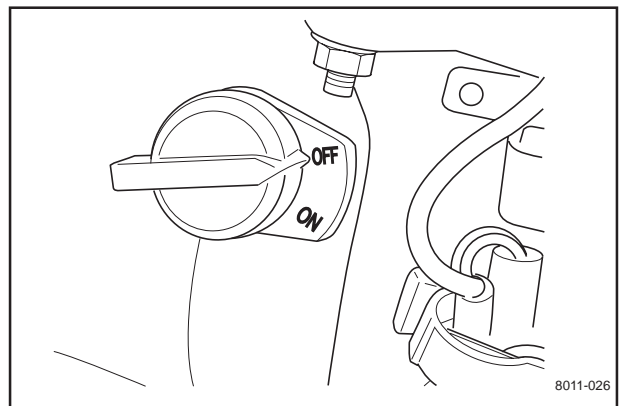


Cutting the engine

If the engine has been running full out, let it run easily for about 30 seconds to 1 minute at low speed.

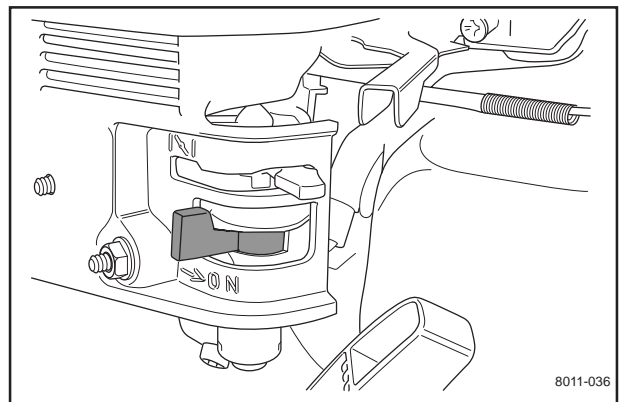
Engine switch

Turn the engine switch counterclockwise to OFF.



Fuel valve

Close the fuel valve. Turn the lever all the way to the left (see illustration).



RUNNING

Before you start

- Mow the lawn to its normal length.
- Allow the lawn to dry. Wet conditions can cause extensive damage to healthy grass.
- Set blade depth so that the blades just touch on a flat surface such as a sidewalk or driveway.
- Lawns with deep thatch exceeding 2 cm may be best dethatched in two treatments (spring and fall) to avoid major shock to an older lawn.

Starting

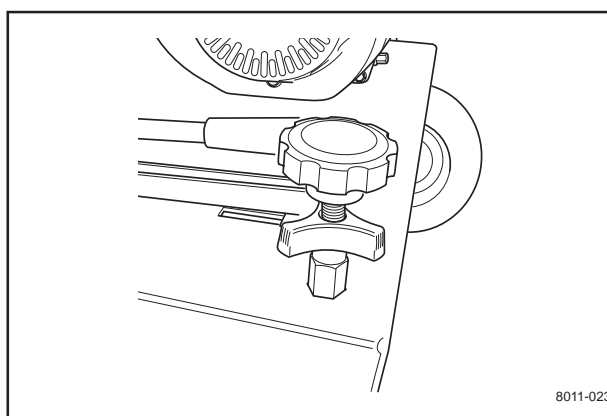
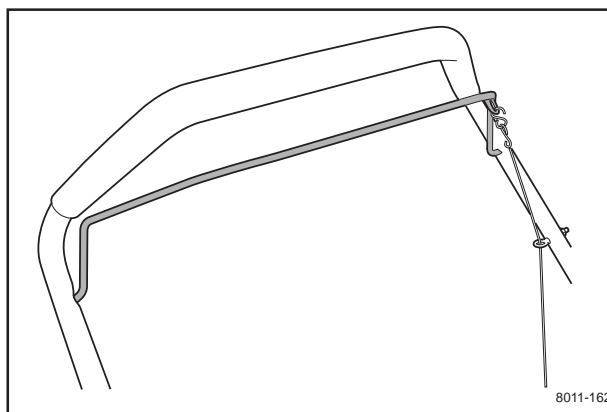
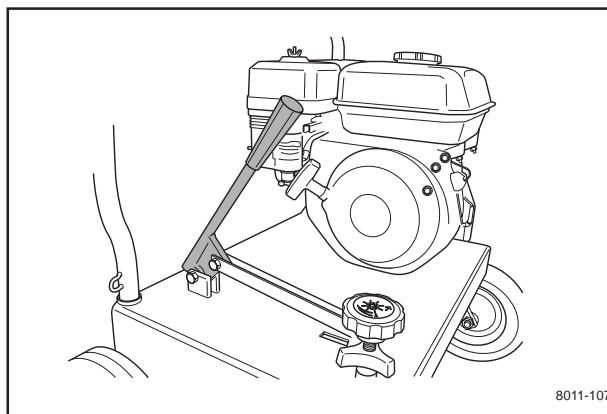
- Set the depth lever in working position.
- To engage the clutch in heavy thatch, bear down on the handle and raise the front wheels slightly. Hold the clutch engaged against the handle and carefully lower the machine into the turf.
- Do a small test area at a slow walking pace.
- If the engine speed drops excessively, the depth setting is too deep. Turn the depth knob clockwise.
- If the machine pulls forward and bucks roughly, the depth setting is too deep. Check for stones or fixed objects in the lawn. Then turn the depth knob clockwise.
- Lock the depth knob with the depth lock after adjusting settings.

Finishing

- Remove all extracted thatch from the grass and compost/dispose of properly.
- Other methods for improving your lawn may include aeration and fertilization.

IMPORTANT INFORMATION

Clear the lawn of any extraneous objects. Clearly mark rocks and other fixed objects. Be especially sure to check for hidden electrical cables or similar in the surface of the lawn.



MAINTENANCE

Maintenance schedule

The following is a list of maintenance procedures that must be performed on the machine. For those points not described in this manual, visit an authorized service workshop.

Maintenance	Page	Daily maint. before starting	Maintenance interval months/hours			
			1/25	3/50	6/100	12/300
Check the engine oil level	34	●				
Replace engine oil ¹⁾	34				●	
Check gearbox oil level	35		●			
Replace gearbox oil ¹⁾	35					●
Check the air filter	25	●				
Clean the air filter ²⁾	25			●		
Replace air filter cartridge ²⁾	25					●
Clean sludge reservoir for fuel system	26				●	
Check and clean the spark plug	27				●	
Replace the spark plug	27					●
Check idle speed	26					●
Check and adjust play in valves ⁴⁾	-					○
Clean fuel tank ⁴⁾	-					○
Check, replace fuel lines as necessary ^{4, 5)}	-					○
Check clutch and clutch cable	-	○				
Check flail blade lock washers	-	○				
Check decals and warning signs	-	○				
Check the seed holes for the seeder	-	○				
Check wear and tension on the belts	28		●			
Check blade wear and condition	29		●			
Check the chassis, bolts and set screws	-				○	
Check the seed control lever for the seeder	-		○			
Check the wire mountings on the seeder	-		○			
Lubrication; see the Lubrication schedule						

¹⁾ First change after 20 hours. ²⁾ In dusty conditions maintenance is required at shorter intervals. ³⁾ With daily use, the machine shall be lubricated twice weekly. ⁴⁾ Performed by authorized service workshop. ⁵⁾ Performed every second year.

- = Described in this manual.
- = Not described in this manual.



WARNING!

No service operations may be performed on the engine or unit unless:

- The engine is stopped.
- The ignition cable has been removed from the spark plug.
- The machine is securely parked where it will not tip or begin rolling.

MAINTENANCE

Replacing the air filter

If the engine seems weak, produces black smoke or runs unevenly, the air filter may be clogged. For this reason, it is important to clean and replace the air filter regularly (see the maintenance schedule for the proper service interval).



WARNING!

Allow the exhaust system to cool before performing service. Risk for burns.

Cleaning/replacement of the air filter is carried out as follows:

1. Undo the wing nut and lift off the air filter cowling.
2. Remove the foam rubber pre-filter and clean using a mild detergent.
Squeeze it dry with a clean cloth.
Soak it with new engine oil. Wind the filter in an absorbent cloth and squeeze out excess oil.
3. Remove the wing nut in the air filter and remove the paper filter. Tap the paper filter against a fixed surface to remove dust. If the paper filter is still dirty or damaged, it must be replaced.

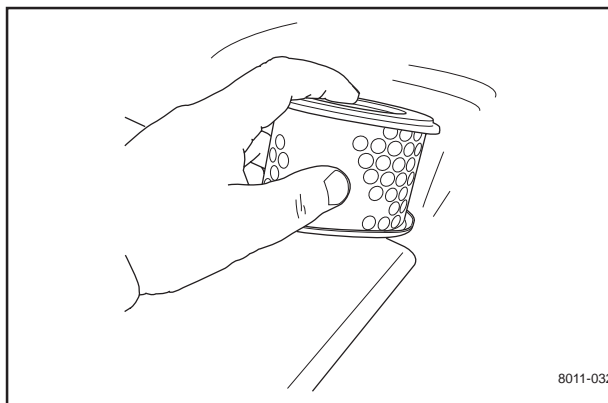
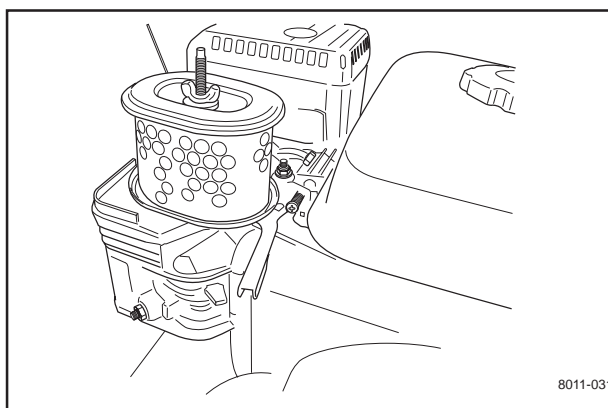
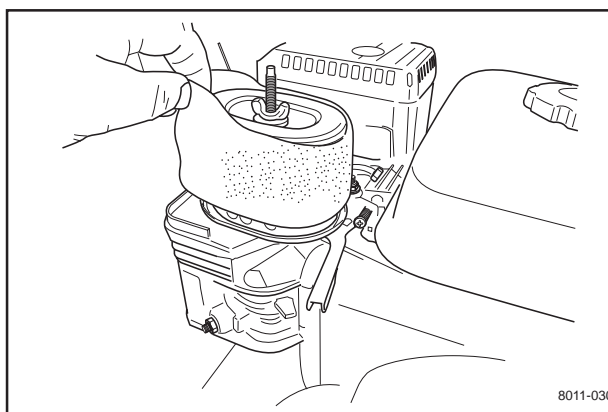
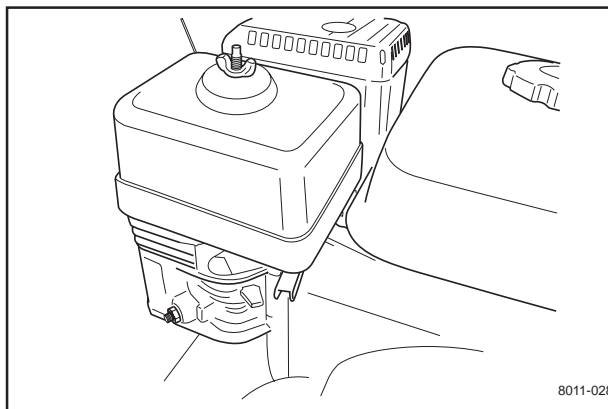
IMPORTANT INFORMATION

Do not use compressed air over 2 bar/30 PSI to clean the air filter.

Do not wash the paper filter.

Do not oil the paper filter.

4. Refit the air filter as follows:
Mount the paper filter in the air filter housing and tighten the wing nut.
5. Replace the pre-filter on the paper filter.
6. Replace the cowling over the air filter housing.



MAINTENANCE

Ignition system

The engine is equipped with an electronic ignition system. Only the spark plug requires maintenance.

For recommended spark plug, see chapter "Technical data".

IMPORTANT INFORMATION

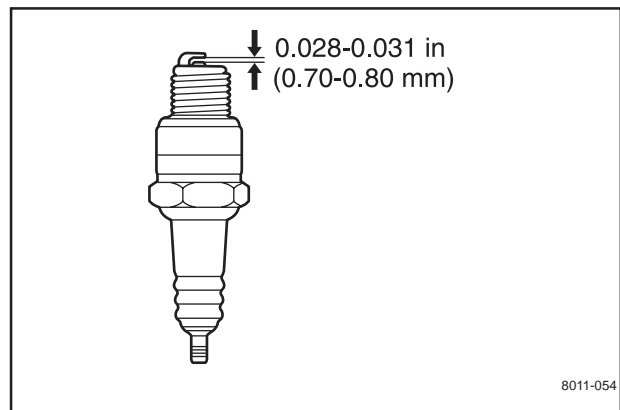
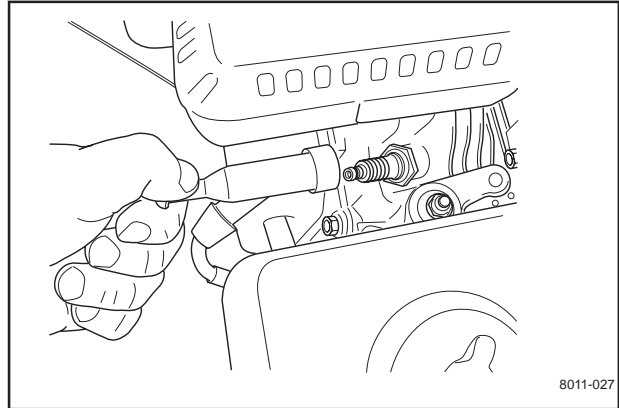
Fitting the wrong spark plug type can damage the engine.

1. Remove the ignition cable shoe and clean around the spark plug.
2. Remove the spark plug with a 13/16" (21 mm) spark plug socket wrench.
3. Check the spark plug. Replace the spark plug if the electrodes are burned or if the insulation is cracked or damaged. Clean the spark plug with a steel brush if it is to be reused.
4. Measure the electrode gap with a gapping tool. The gap should be 0.7–0.8 mm/0.028–0.031". Adjust as necessary by bending the side electrode.
5. Reinsert the spark plug, turning by hand to avoid damaging the threads.

IMPORTANT INFORMATION

Inadequately tightened spark plugs can cause overheating and damage the engine. Tightening the spark plug too much can damage the threads in the cylinder head.

5. After the spark plug is seated, tighten it using a spark plug wrench so that the washer is compressed. A used spark plug should be turned 1/8–1/4 of a turn from the seated position. A new spark plug should be turned 1/2 a turn from the seated position.
6. Replace the ignition cable shoe.

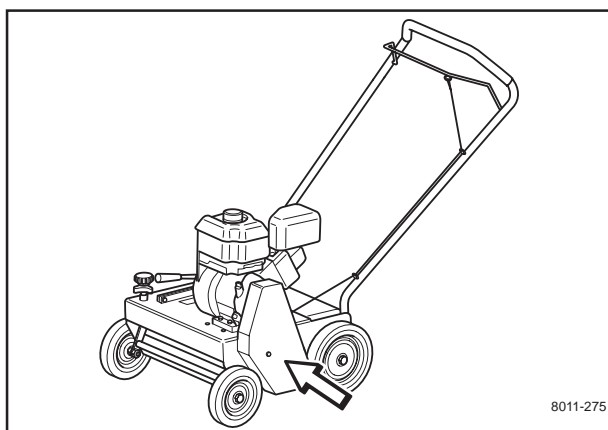
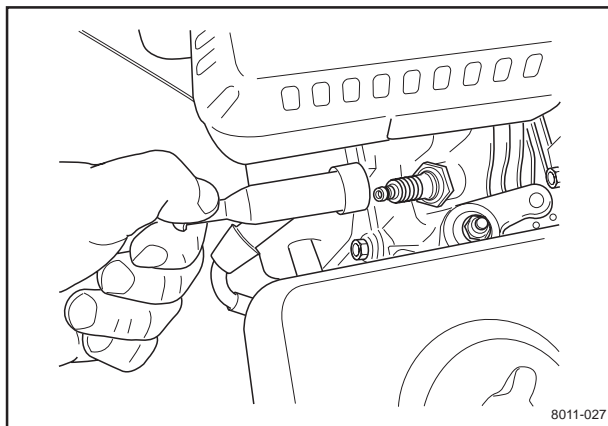


MAINTENANCE

Cutting unit

Checking the drive belt

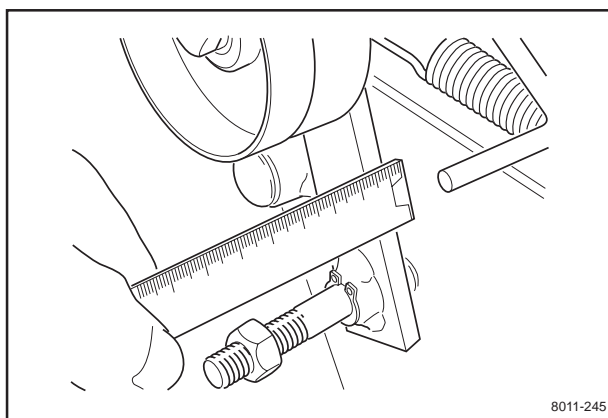
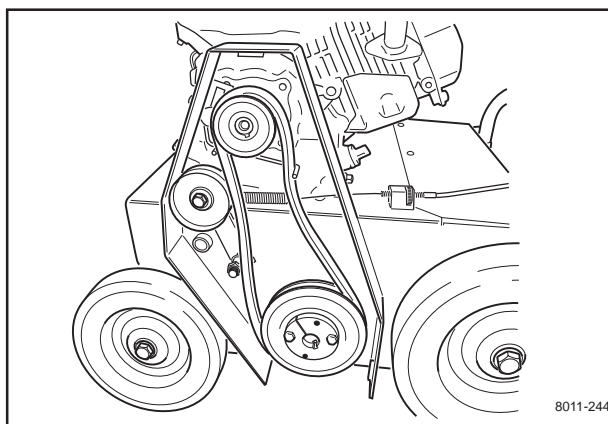
1. Allow the engine to cool.
2. Remove the spark plug cable.
3. Remove the belt guard (see illustration) on the left side of the machine.
4. Check that the belt is running in the proper track; the pulleys should guide the belt in a straight line.
5. Check that the belt and pulleys are not oily. If they are, first try to clean them with spirits. If they are heavily coated, take the machine to an authorized service workshop to fix the oil leakage and replace the belt.
6. Check the belt for cracks, heat damage or worn edges. If these symptoms appear, replace the drive belt; see "Replacing the drive belt".
7. Check that guide and tensioning equipment for the belt is not loose and is properly set; see "Replacing the drive belt".
8. Refit the belt guard.



Replacing the drive belt

Replace the drive belt as follows:

1. Allow the engine to cool.
2. Remove the spark plug cable.
3. Remove the belt guard.
4. Remove the old belt.
5. Check for wear on the pulleys and replace as necessary.
6. Check the pulley setting against the rotor pulley and adjust as necessary. The belt should run in the track.
7. Check the tensioning pulley. The bearings should rotate freely and evenly. The rocking lever on the tensioning pulley should be free with a lateral play of not more than 6.5 mm (0.25") (see illustration). Replace as necessary.
8. Fit a new belt by first pulling it over the lower pulley and then the engine pulley. Check that the tensioning pulley and belt guides end up outside the belt loop.
9. Adjust the belt guides as necessary and refit the belt guard.



MAINTENANCE

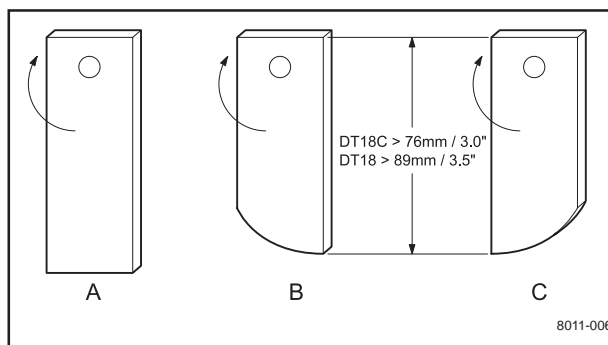
Wear/Rotation/Replacing flail blades

After you have used your dethatcher for some time, the blades will begin to wear on the striking edge. When this happens, their dethatching performance will diminish. A new combing edge may be obtained by rotating the entire rotor shaft assembly laterally (end to end). This procedure can be repeated until the blades reach their wear limit; see illustration.

Rotate the rotor shaft as follows:

IMPORTANT INFORMATION

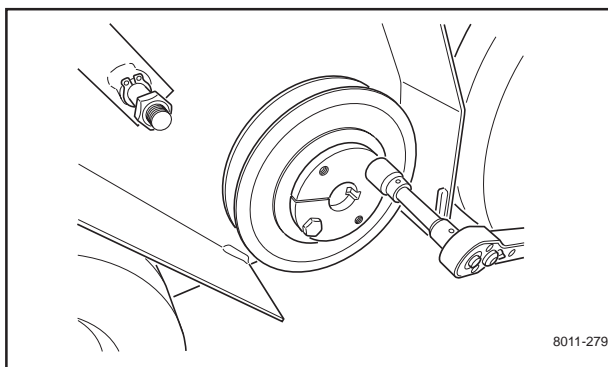
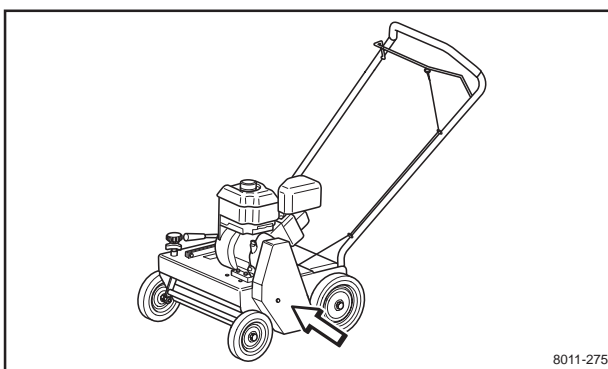
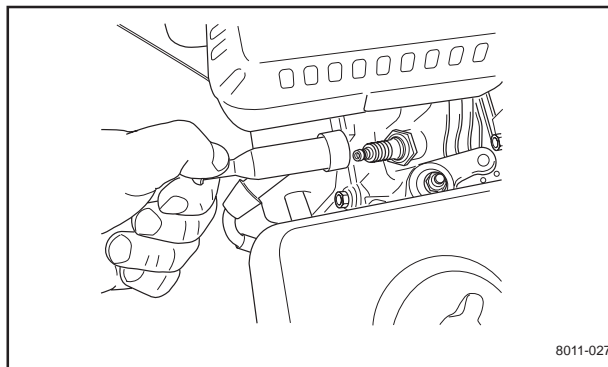
Only the flail blade rotor shaft can be rotated to achieve even wear.



- A. New blade
- B. Worn blade
- C. After rotation

Rotating the rotor shaft

1. Allow the engine to cool.
2. Disconnect the spark plug.
3. Remove the belt guard (see illustration).
4. Remove the belt guard and pulley from the rotor shaft (see illustration).
5. Remove the plastic cap from the opposite end of the shaft and install it where the pulley was located.
6. Remove the 4 bearing bolts and allow the rotor shaft to slide out.
7. Check the shaft, bearing, blade length, blade safety clips and spacers.
8. Rotate the shaft end for end.
9. Refit the bearing bolts.
10. Refit the pulley and check that it is flush against the bearing collar.
11. Refit the drive belt.
12. Check the pulley alignment to the engine shaft pulley. The drive belt should run smoothly in its track. Adjust as necessary. Tighten the pulleys.
13. Refit the belt guard.
14. Reattach the spark plug cable.



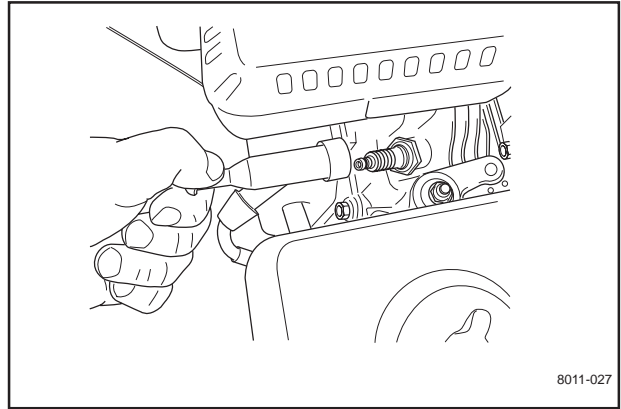
MAINTENANCE

Replacing worn flail blades

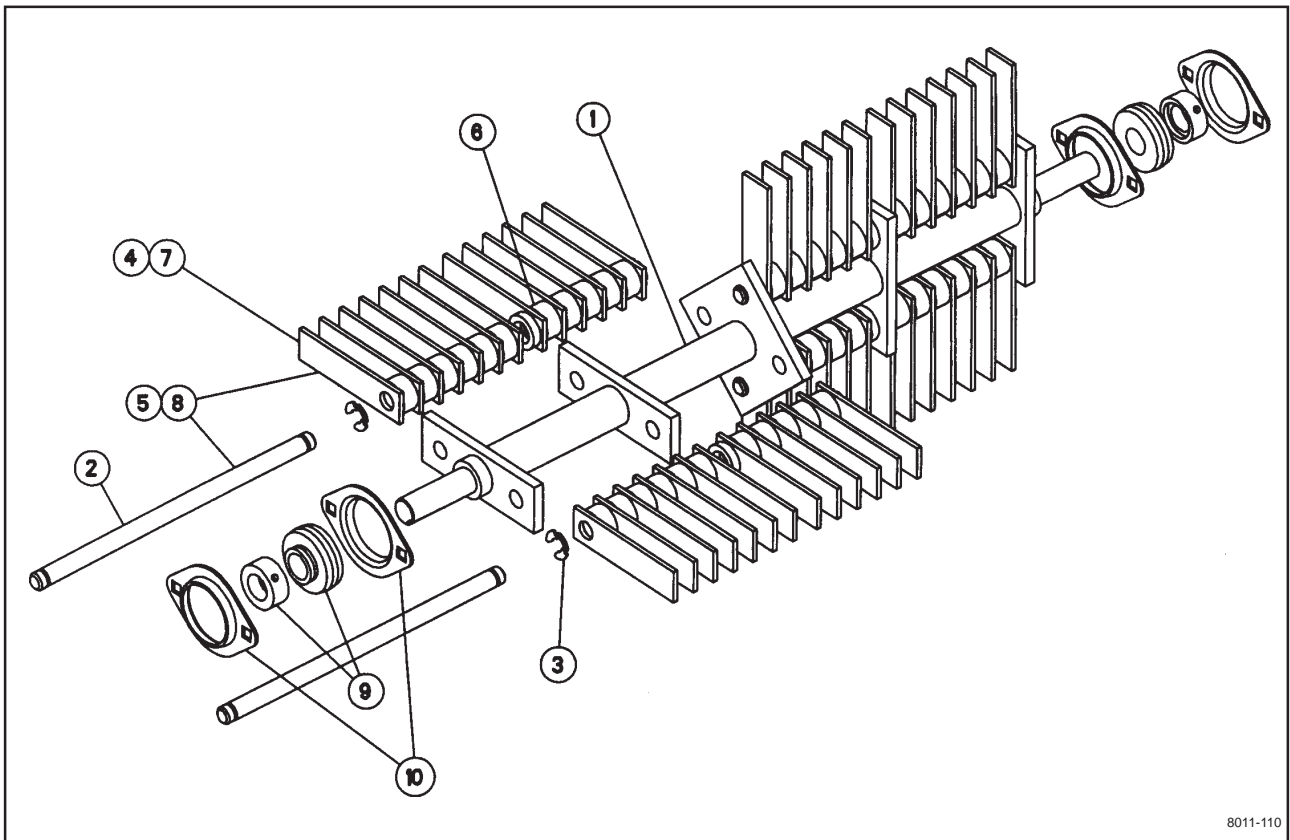
1. Allow the engine to cool.
2. Disconnect the spark plug.
3. Tip the machine forward; see the section "Two minute rule".

IMPORTANT INFORMATION

When tipping the machine forward observe the "Two minute rule".



4. Remove and dispose of the spring clips (3) (locking washer type) that hold the blade shaft (2) in place (see the sketch).
5. Inspect the blade shafts and replace if bent or worn.
6. Drive the blade shafts out towards the center. The blades (4) and the rubber spacers (6) will fall off.
7. Fit the new blades and replace the rubber spacers as necessary. Refer to the illustration of the components for blade/spacer placement.
8. Install new spring clips.
9. Repeat this procedure for the remaining three shafts.
10. Reattach the spark plug cable.



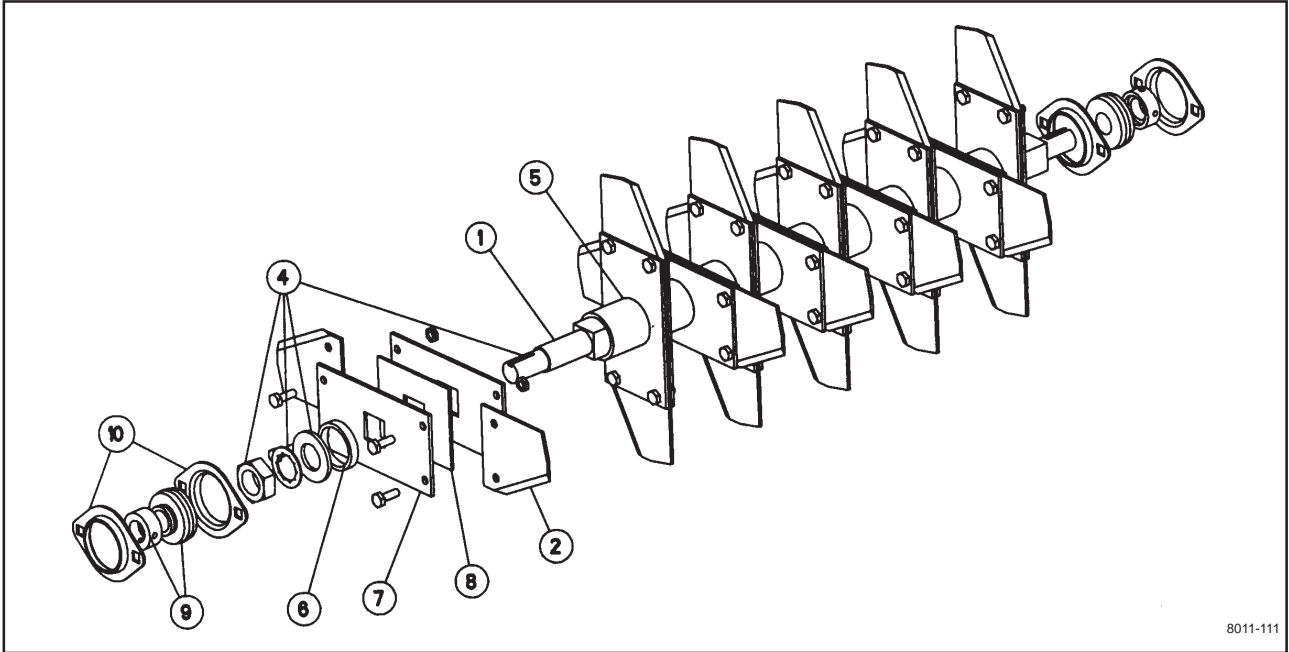
MAINTENANCE

Wear/Replacing delta blades

Over time and due to wear, the blades will diminish in length. Once the blades have worn down by about 19 mm (3/4"), the overall length of the blade at the longest point of the blade will be about 64 mm (2 1/2"), and it will be necessary to replace the blades.

It is possible to replace delta blades without removing the rotor shaft. Remove the delta blade (2) by removing the two screws with nuts holding the blade in place.

Turn the new blade until it is properly aligned; see illustration.

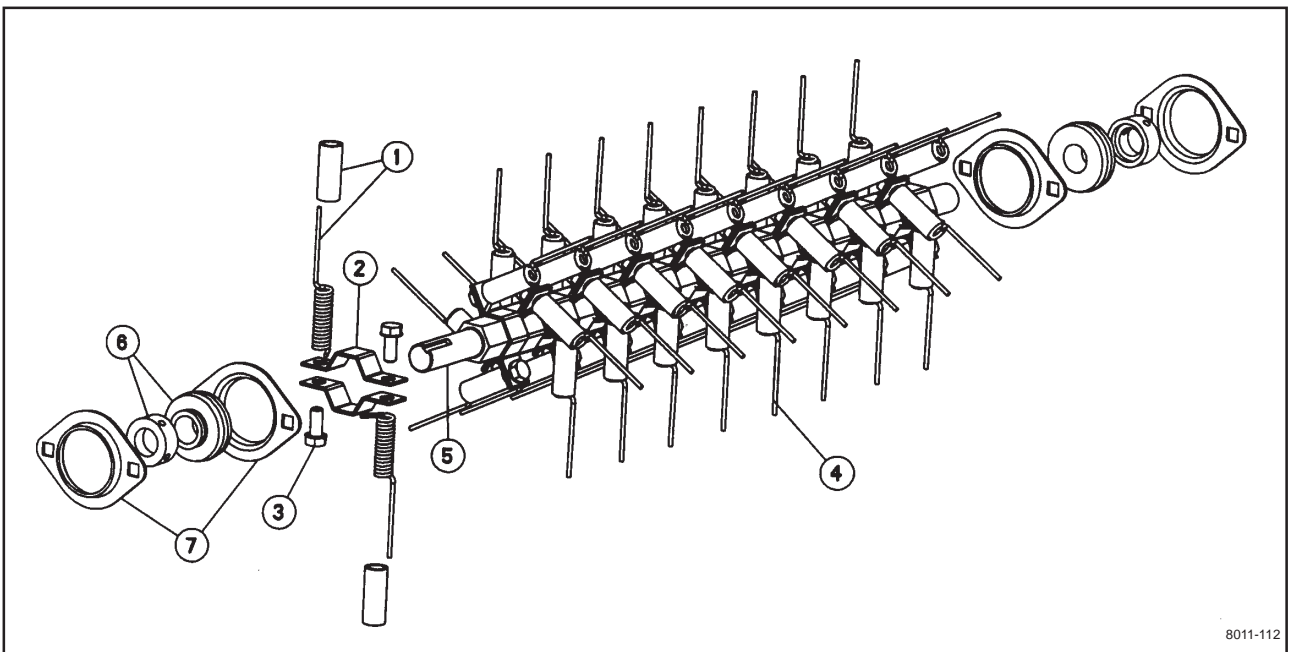


8011-111

Wear/Replacing spring tines

Over time and due to wear, the tines will diminish in length. When the tines can no longer be adjusted to comb 6 mm (1/4") into the soil, the tines must be replaced.

Spring tines can be replaced without removing the rotor shaft by using a 1/2" socket wrench. Remove the screw (3) and replace the spring tine using the wrench (1). Fit the new spring tine before removing the tine on the opposite side.



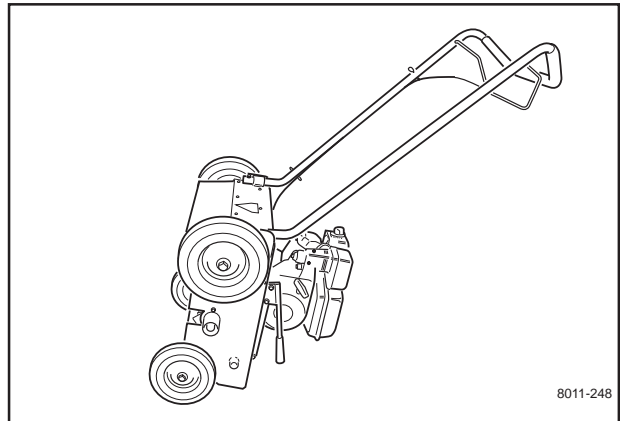
8011-112

MAINTENANCE

Two minute rule

The machine may be tipped forward to facilitate access for cleaning or service, but **no longer than 2 minutes**.

If the machine is held in this position for too long, the engine can be damaged by gasoline draining into the crankcase. Should this happen, perform an extra oil change on the engine. Remove the spark plug and turn the engine over a few revolutions with the starter handle before starting the engine again.



Cleaning and washing

Regular cleaning and washing will increase the machine's lifespan. Make it a habit to clean the machine directly after use, before the dirt sticks.

Check before rinsing that the fuel tank lid is properly in place to avoid getting water in the tank.

Use caution when using high-pressure spray because warning decals, instruction signs and the engine can be damaged. **Do not exceed 70 bar/ 1000 PSI water pressure when cleaning.**

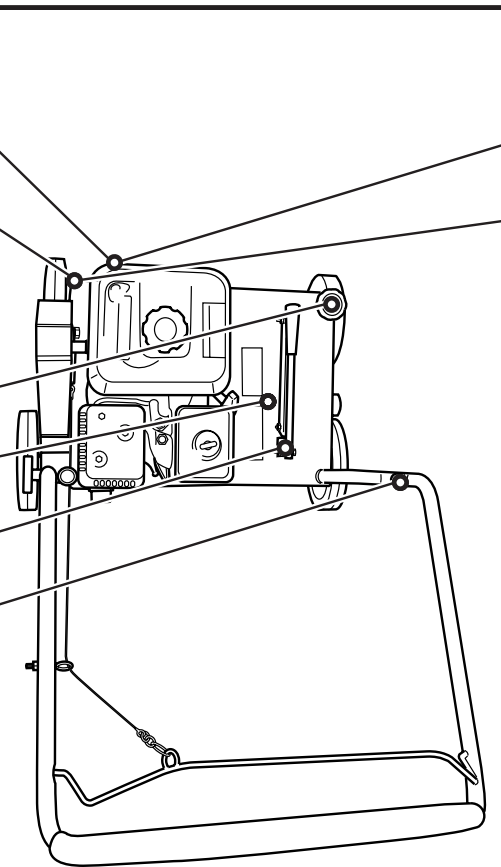
Lubricate the machine after cleaning. This is particularly important if the machine is to be stored.



LUBRICATION

Lubrication schedule

12/12	1/12	1/52	1/365	DT18, DT18C		25h	50h	100h	300h
			👁️	1	1			⚠️	
(⚠️)	👁️			2	2	👁️			⚠️
		🔧		3					
		🔧		4					
		🛢️		5					
		🛢️		6					



8011-281

General

Stop the engine and remove the ignition cable before attempting to lubricate the machine.

Unless otherwise specified, when lubricating with grease use Husqvarna's Universal Grease no. 5310038-01 or Husqvarna's Lubrication Grease UL 21 no. 5310060-74.

Wipe away excessive grease after lubrication.

It is important to avoid getting lubricant on the belt or the drive surfaces on the belt pulleys. Should this happen, attempt to clean them with spirits. If the belt continues to slip after cleaning, it must be replaced.

LUBRICATION

1. Engine oil

The engine should be warm (but not hot) when changing the oil. Warm oil flows out faster and leaves a smaller quantity of old oil inside the engine.

1. Place a suitable vessel underneath the oil drainage screw. Remove the oil dipstick (1) and the oil drainage screw (4).

Tip: Make a channel using a piece of cardboard to lead the oil directly into the vessel and avoid soiling the machine chassis.

2. Allow the engine oil to drain into the vessel; then replace the drainage screw. Tighten it moderately.

IMPORTANT INFORMATION

Used engine oil is a health hazard and legislation prohibits disposal on the ground or in nature; it should always be disposed of at a workshop or appropriate disposal location. Avoid skin contact; wash with soap and water in case of spills.

3. Make sure the machine is parked on even ground. Fill the new oil using the appropriate viscosity according to the diagram, API Service SF-SG, to the upper level mark on the dipstick = threads on the oil dipstick. The engine takes 0.6 liters/0.63 US qt of oil. When checking the oil level, the dipstick should **not** be screwed in.
4. Check that the rubber gasket is in position and screw the dipstick back into place. Do not tighten it askew or too hard or you may damage the threads.
5. Wipe up any spilled oil.

Checking the engine's oil level.

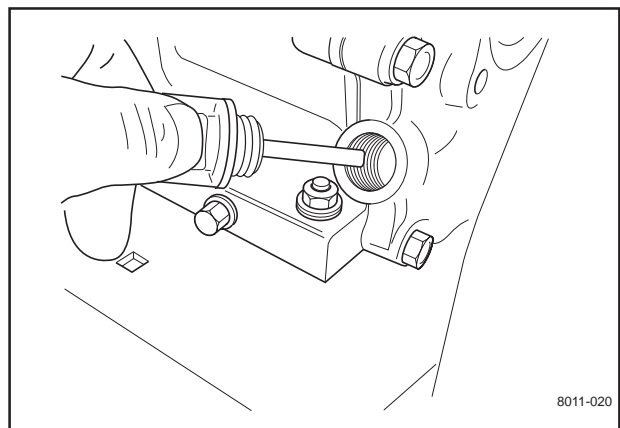
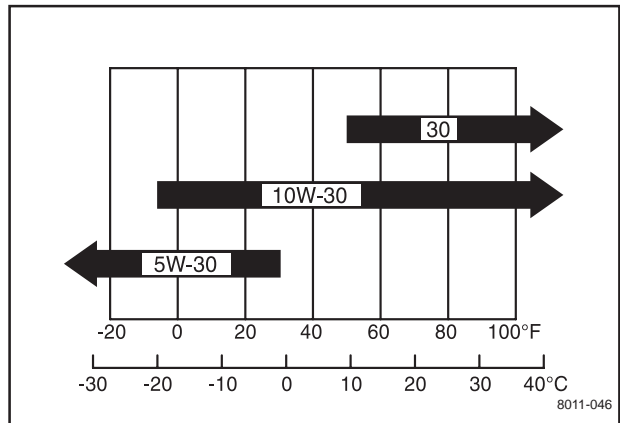
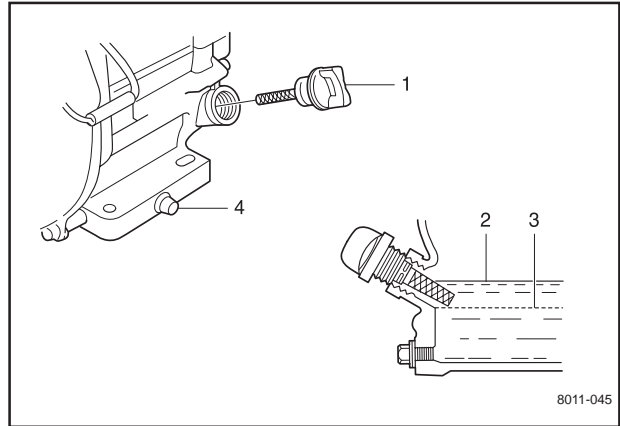
Make sure that the machine is parked on even ground with the engine stopped when checking the oil level.

1. Unscrew the dipstick and wipe it using paper towel or a lint-free rag.
2. Replace the dipstick without screwing it in. Remove and check the level on the dipstick.
3. Fill oil as necessary to the lip of the dipstick hole. Oil type, see above.
4. Check that the rubber gasket is in position and screw the dipstick back into place. Do not tighten it askew or too hard or you may damage the threads.



WARNING!

Engine oil can be very hot if it is drained directly after stopping the machine. Allow the engine to cool somewhat.



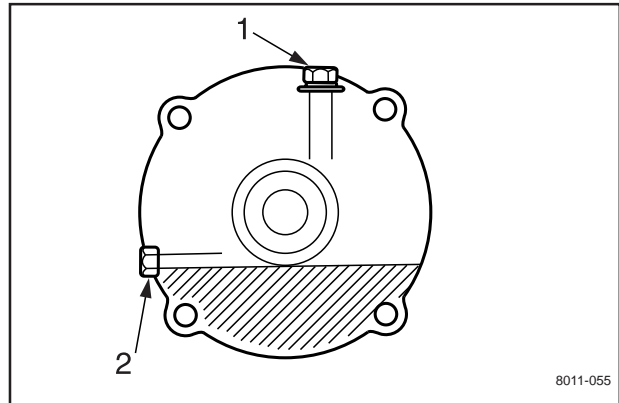
LUBRICATION

2. Oil change reduction gear 1:6

The reduction gear only appears on a special version of model DT18C.

The engine's reduction axle does not have a drainage screw, but the oil can be drained through the level plug hole (2) by tipping the machine forward. Because it is difficult to avoid spilling gasoline and releasing gasoline fumes, the oil should not be changed indoors.

1. Empty the fuel tank or put a vessel in place to collect gasoline spills.
2. Tip the machine forwards, place a vessel under the level plug (2) and remove the filler plug (1) and the level plug (2)
3. Allow the oil to drain into the vessel, right the machine and park it on even ground.
4. Refill using new oil of the same type as that in the engine in the filler hole until it runs over from the level plug. Volume 0.15 liters.
5. Replace the level and filler plugs. Tighten them moderately.
6. Wipe up any spilled oil.



IMPORTANT INFORMATION

Used engine oil is a health hazard and legislation prohibits disposal on the ground or in nature; it should always be disposed of at a workshop or appropriate disposal location. Avoid skin contact; wash with soap and water in case of spills.

Checking the gearbox oil level

Make sure the machine is parked on even ground and that the engine is not running. Carefully remove the level plug (2) and check that oil drains out. If there is no oil leakage, the machine can be carefully tipped forward to estimate the oil level. If necessary, fill the oil in the filler plug hole (1) until it runs over from the level plug.

Replace the level and filler plugs. Tighten moderately.

TROUBLESHOOTING

Symptom	Cause	Action	
The engine will not start			
• User error	Fuel valve closed.	Open the fuel valve.	
	Choke valve open.	Close the choke with cold engine.	
• Fuel system	Engine switch in OFF position.	Turn the engine switch to ON.	
	Fuel tank empty.	Fill with fuel.	
	Machine stored without observing proper procedure from chapter "Storage/Winter storage"	Clean tank, sludge reservoir and empty carburetor. Fill the tank with fresh fuel.	
	Contamination, water or ice in fuel system.	Clean tank, sludge reservoir, fuel lines and carburetor. Fill the tank with fresh fuel.	
• Spark plug	Carburetor problems.	Contact an authorized service workshop.	
	Wrong spark plug type.	Replace the spark plug.	
	Build-up on electrodes. Short circuit.	Check electrode gap and clean or replace spark plug.	
• No spark after checking spark plug	Gasoline or oil on the spark plug.	Clean the spark plug. Air the engine out. Start with full throttle.	
	Faulty engine switch, cable or ignition.	Contact an authorized service workshop.	
• Low compression	Serious interior engine damage or faulty valves.	Contact an authorized service workshop.	
Engine is gutless or runs unevenly			
• Air filter	Clogged air filter.	Clean or replace the air filter.	
• Fuel system	Machine stored without observing proper procedure from chapter "Storage/Winter storage"	Clean tank, sludge reservoir and empty carburetor. Fill the tank with fresh fuel.	
	(Blue exhaust)	Tank filled with 2-cycle mixed oil.	Fill the tank with proper fuel.
(Voluminous blue-white exhaust)	Tank filled with diesel.	Clean tank, sludge reservoir and empty carburetor. Fill the tank with proper fuel.	
	(Black exhaust)	Choke left on.	Open choke valve.
		Clogged air filter.	Clean or replace the air filter.
• Ignition system	Carburetor problems.	Contact an authorized service workshop.	
	Wrong spark plug type.	Replace the spark plug.	
	Build-up on electrodes. Short circuit.	Check electrode gap and clean or replace spark plug.	
• Low compression (possible blue exhaust)	Faulty ignition unit.	Contact an authorized service workshop.	
	Serious interior engine damage or faulty valve.	Contact an authorized service workshop.	

STORAGE

Winter storage

At the end of the season, the machine should be readied for storage (or if it will not be in use for longer than 30 days). Fuel allowed to stand for long periods of time (30 days or more) can leave sticky residues that can plug the carburetor and disrupt engine function.

Fuel stabilizers are an acceptable option as regards sticky residues during storage. If alkylate gasoline (Aspen) is used, stabilizers are unnecessary because this fuel is stable. However, you should avoid switching between regular and alkylate gasoline as sensitive rubber components can harden. Add stabilizer to the fuel in the tank or in the storage container. Always use the mixing ratios specified by the manufacturer of the stabilizer. Run the engine for at least 10 minutes after adding the stabilizer so that it reaches the carburetor. Do not empty the fuel tank and the carburetor if you have added stabilizer.



WARNING!

Never store an engine with fuel in the tank indoors or in poorly ventilated spaces where fuel vapor can come in contact with open flame, sparks or a pilot light such as in a boiler, hot water tank, clothing drier, etc. Handle the fuel with caution. It is very flammable and careless use can cause serious damage to person and property. Drain the fuel into an approved container outdoors and far away from open flame. Never use gasoline for cleaning. Use a degreaser and warm water instead.

Service

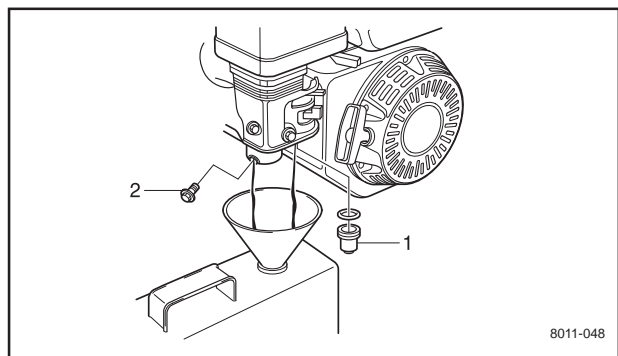
When ordering spare parts, please specify the purchase year, model, type, and serial number.

Always use genuine Husqvarna spare parts.

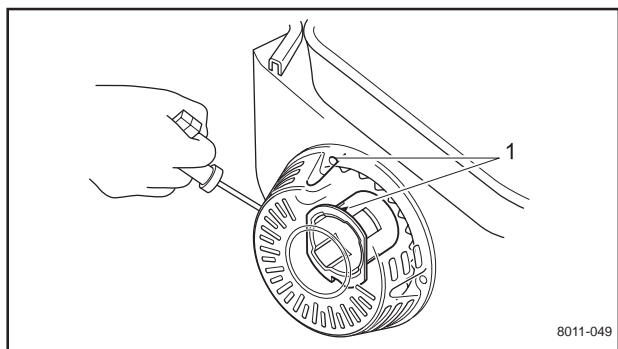
An annual check-up at an authorized service workshop is a good way to ensure that your machine performs its best the following season.

To ready the machine for storage, follow these steps:

1. Clean the machine carefully, particularly the chassis and working equipment. Mend damage to the paint to prevent rust.
2. Inspect the machine for worn or damaged parts and tighten any nuts or bolts that may have become loose.
3. Change the engine oil; dispose of properly.
4. Open the fuel valve. Empty the fuel tank (1) and the carburetor (2).



5. Close the fuel valve.
6. Remove the spark plug and pour about a tablespoon of engine oil in the cylinder. Turn over the engine so that the oil is evenly distributed and then refit the spark plug. Put the engine in the compression phase where the triangle mark on the sleeve of the starter is aligned with the upper hole in the starter. Note: Compression phase occurs every second revolution.

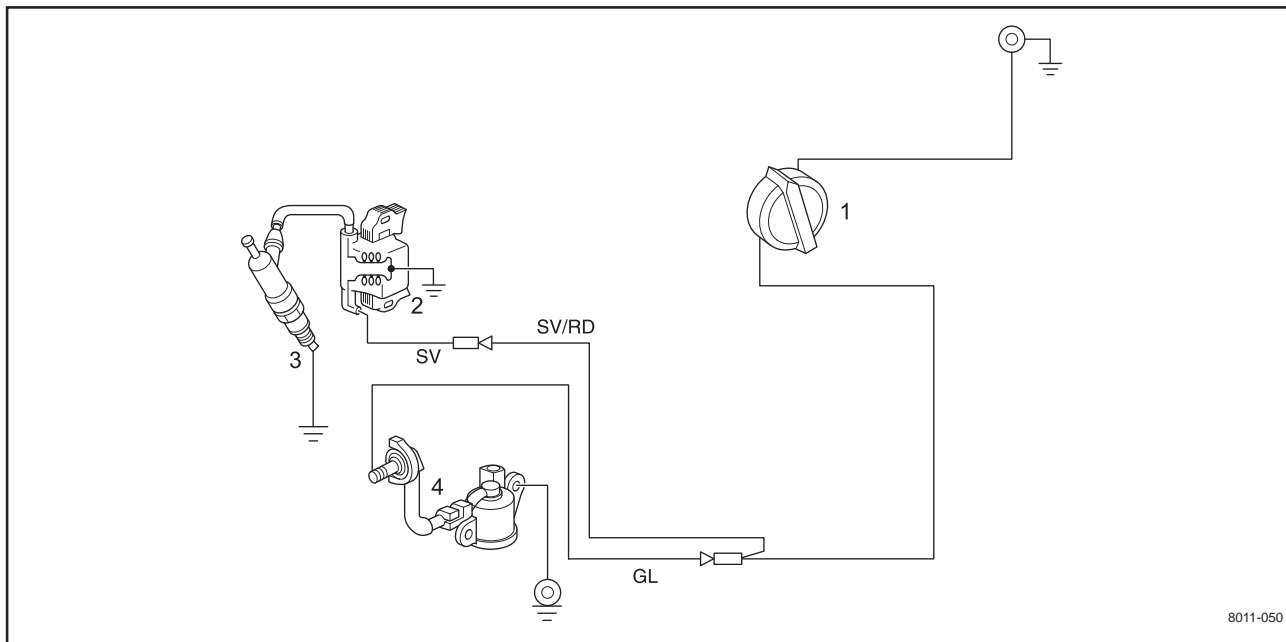
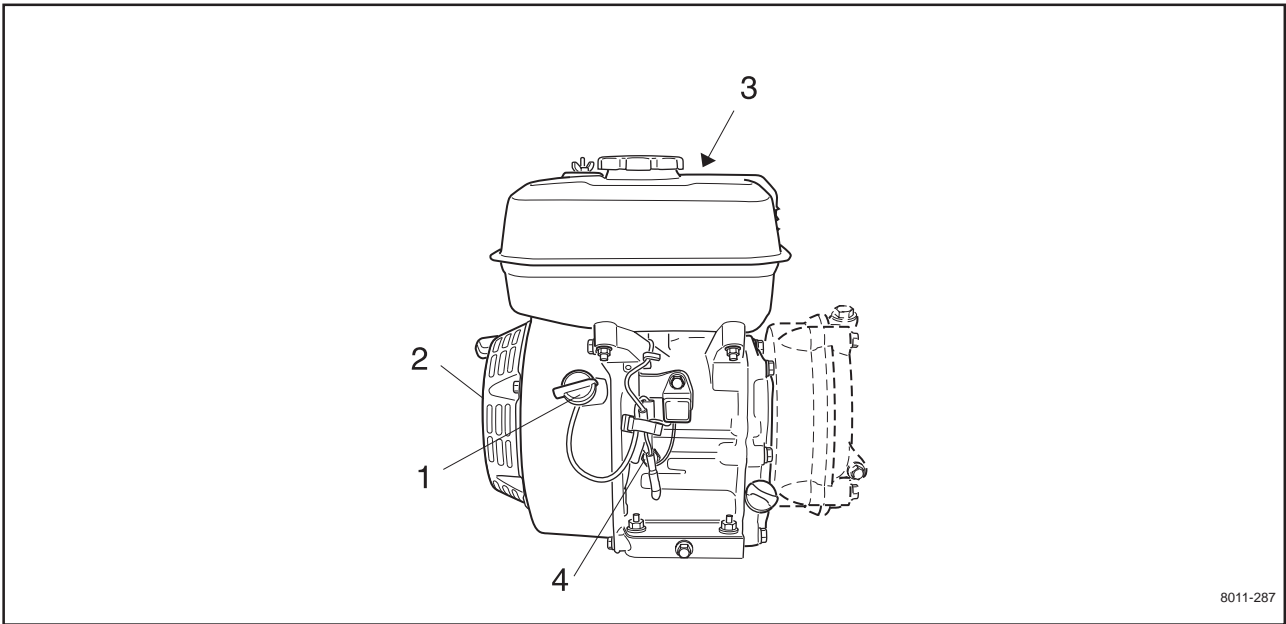


7. Lubricate all grease nipples, joints and shafts as described in the chapter "Lubrication/Lubrication schedule".
8. Store the machine in a clean, dry place and cover it for extra protection.

TECHNICAL DATA

Specifications	DT18C	DT18
Engine	Honda GX120	Honda GX160
Cylinder volume	119 cm ³ (7.3 cu in)	163 cm ³ (9.9 cu in)
Power	4 hp (3 kW) at 3600 RPM	5.5 hp (4 kW) at 3600 RPM
Torque	7.4 Nm at 2500 RPM	10.8 Nm at 2500 RPM
Spark plug	NGK BPR6ES DENSO W20EPR-U	NGK BPR6ES DENSO W20EPR-U
Reduction gear	1:6 (special design)	-
Fuel volume	2.5 liters/0.66 US Gal	3.6 liters/0.95 US Gal
Primary drive	One V-belt (B-34")	One V-belt (B-34")
Dethatching breadth	45.7 cm (18")	45.7 cm (18")
Clutch control	Handle-mounted with automatic safety declutching	Handle-mounted with automatic safety declutching
Clutch mechanism	Belt tightener with spring return and idling pulley	Belt tightener with spring return and idling pulley
Seeding breadth	45.7 cm (18")	45.7 cm (18")
Depth setting	Adjustable depth control with lever mechanism with lock and stop	Adjustable depth control with lever mechanism with lock and stop
Flail blade reel	52 case-hardened steel blades with 1.6 cm (5/8") spacers 0.3 x 2.5 x 8.9 cm (1/8" x 1" x 3 1/2")	52 case-hardened steel blades with 1.6 cm (5/8") spacers 0.3 x 2.5 x 8.9 cm (1/8" x 1" x 3 1/2")
Delta blade reel	20 austempered 12-gauge steel blades with 5 cm (2") spacers	20 austempered 12-gauge steel blades with 5 cm (2") spacers
Flail tine reel	52 tines with protective plastic sleeve	Not applicable
Handle	Collapsible, ergonomic design with upholstery	Fixed, ergonomic design with upholstery
Catcher bag	Not applicable	0.23 m ³ (8 ft ³) synthetic material on frame with wheels
Seed hopper	Not applicable	22.3 l (1.358 inch ³) or approx. 13.6 kg (30 lbs) seed. Self-propelled stirring. Inspection window.
Weight	57.6 kg (127 lbs)	Dethatcher 65.3 kg (144 lbs) with seed hopper 74.8 kg (165 lbs) with catcher bag 71.2 kg (157 lbs)
Width	67.3 cm (26")	71 cm (28")
Length	50 cm (20") without handle 94 cm (37") with handle	68 cm (26 3/4") without handle 127 cm (50") with handle
Height	59 cm (23 1/4") without handle 107 cm (41") with handle	61 cm (24") without handle 102 cm (40") with handle
Distance between axles	31 cm (12 1/4") center to center	45 cm (17 3/4") center to center
Bearings	3/4" closed flanged cartridge	3/4" closed flanged cartridge
Wheels	Front 8" x 1 3/4" Back 8" x 1 3/4"	Front 8" x 1 3/4" Back 10" x 2 3/4" catcher bag Back 10" x 1 3/4" seed hopper

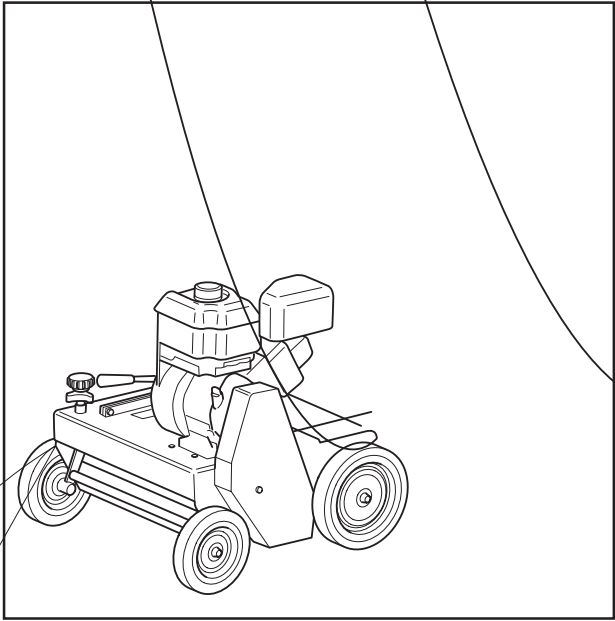
WIRING DIAGRAM



1. Engine switch
2. Transistor ignition unit
3. Spark plug
4. Oil level meter

Legend for color abbreviations in wiring diagram

- RD = Red
SV = Black
GL = Yellow



ASSEMBLY INSTRUCTIONS

Assembly directions, catcher bag DT18

(P/N 540000061)

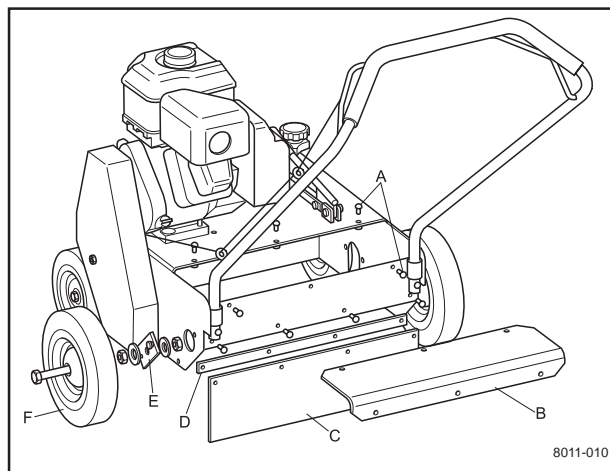
1.

Remove both back wheels (F), the wheel plate (E) with accessories. Remove the guard (B), the neoprene deflector (C) and the deflector strap (D) by removing the ten (6 + 4) slotted screws.



WARNING!

Do not use or start the engine until the catcher bag is in place.



8011-010

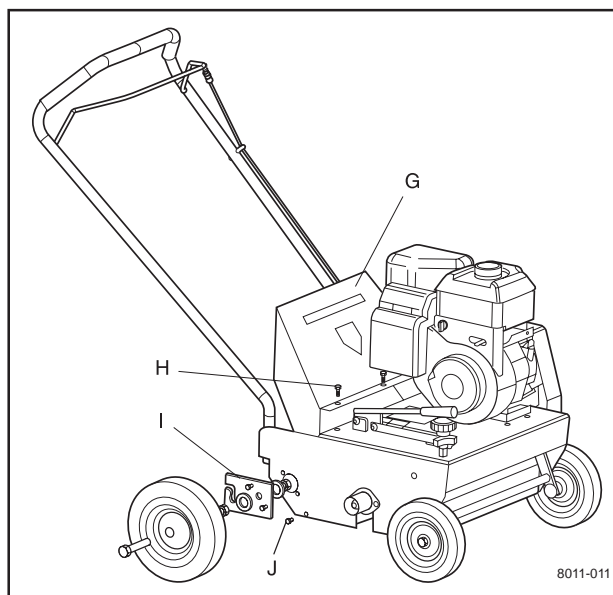
- A. Slotted screws
- B. Guard
- C. Neoprene deflector
- D. Deflector strap
- E. Wheel plate
- F. Back wheels

2.

A) Attach the chute assembly (G) to the machine with three 1/4"-20 round head screws (H) above and two 1/4"-20 hex bolts (J) on the side (see illustration). It is easier if you remove the clutch cable adjustment unit.

B) Refit the wheels with the catcher tray wheel plate (I).

C) Fit the catcher plate to the machine by inserting the hooks from the plate into the catcher bag wheel plate.

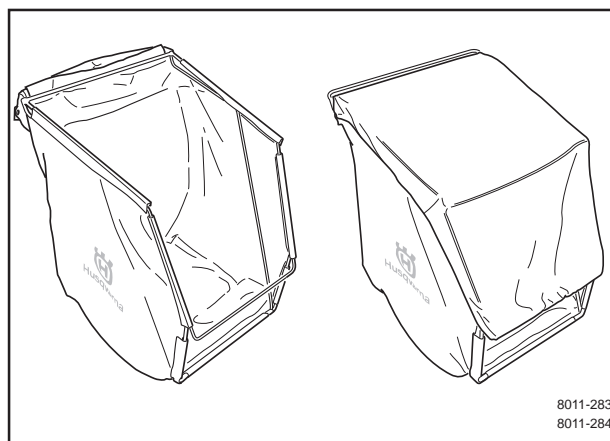


8011-011

- G. Chute assembly
- H. 1/4"-20 round head screws
- I. Wheel plate for catcher bag
- J. 1/4"-20X 5/8" hex bolt

D) Fit the catcher bag to the frame as follows:

- Affix the bag's plastic rails to the frame.
- Thread the upper portion of the bag between the two struts on the upper portion of the frame and affix the bag to the front edge of the frame.
- Press on the snaps, one on each side.



8011-283
8011-284

ASSEMBLY INSTRUCTIONS

Assembly directions, seed hopper SD18

(P/N 540000060)

1.

Remove both back wheels (E), the wheel plate and accessories. Remove the guard (B), the neoprene deflector (C) and the deflector strap (D) by removing the ten (6 + 4) slotted screws (A).

2.

A) Fit the bearing and bearing flanges (Q) from the inside of the machine with setscrews and nuts (see illustration). The bearings should be turned with the flat edge inwards. Do not tighten the nuts until the wheel axle has been assembled.

B) Remove the handle and fit the hopper (H), neoprene deflector (P), deflector strap (O), dial bracket (N) and dial (M) (see illustration). Use four 1/4" x 1" long screws (L) along the deflector strap (O) and three 1/4" x 5/8" long screws on the upper mounting above the deflector strap. Make sure that the control cable (G) is not trapped between the hopper and the rear deck plate when assembling.

C) Replace the handle.

D) When the seed hopper is fit the first time, it is much easier to thread the hole in the agitator (F) before fitting the agitator. Use the accompanying screw (V).

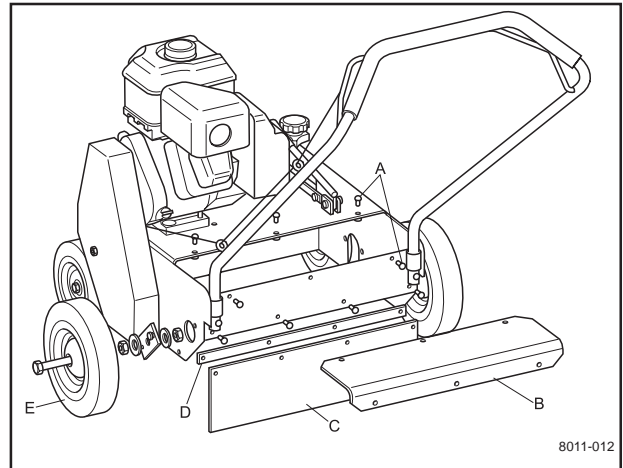
E) Thread the axle (T) through the bearing (Q), the seed hopper (H), the agitator (F) and the second bearing (Q) (see illustration). Tighten the bearing screws that have been left loose since point B.

F) Fit the agitator (F) on the axle (T) by aligning the hole in the agitator with the hole in the axle and attach using a #8-32 screw (V).

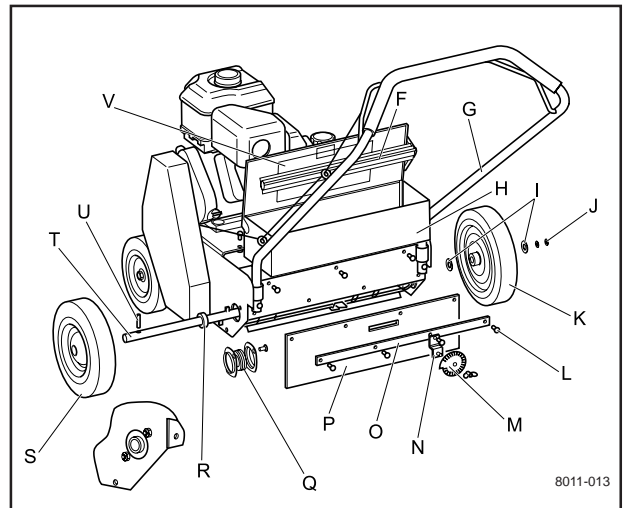
G) Fit the two bearing collars (R) on the axle. Turn them with the smooth side outwards towards the wheels. Lock each of the bearings (Q) on the axle (T) using the provided bearing collar (R) by rotating the bearing until it is locked in place. Tighten the set screw on the bearing collar.

H) Affix the left wheel (S) to the axle (T) with the pin (U) (see illustration).

I) Affix the right wheel (K) to the axle in the following order: washer (I), wheel (K), washer (I) and two lock washers (J).



- A. Slotted screws
- B. Guard
- C. Neoprene deflector
- D. Deflector strap
- E. Back wheels

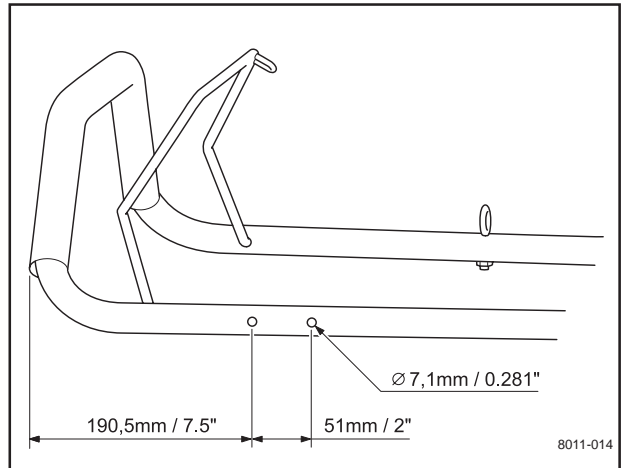


- F. Agitator
- G. Control cable
- H. Seed hopper
- I. Washer
- J. Lock washer
- K. Right wheel
- L. 1/4" x 1" screw
- M. Dial
- N. Dial bracket
- O. Deflector strap
- P. Deflector
- Q. Bearing and collar
- R. Bearing collar
- S. Left wheel
- T. Axle
- U. Pin
- V. #8 - 32 screw

ASSEMBLY INSTRUCTIONS

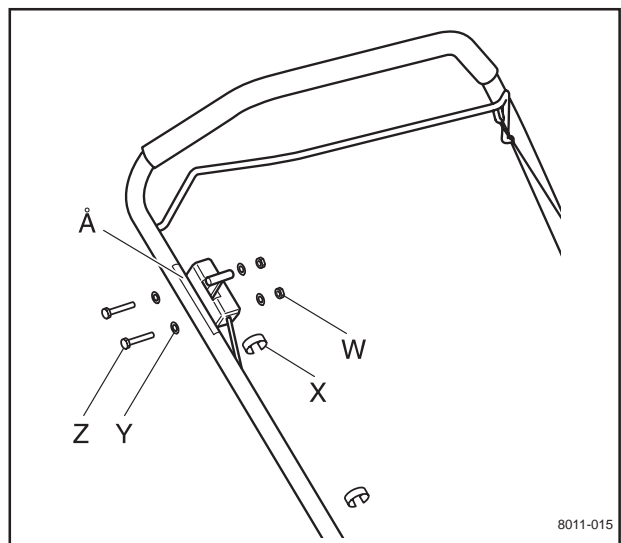
3.

Adapt the handle for assembly of the control lever mounting by drilling two holes in the handle (see illustration).



4.

Fit the seed control lever on the handle with the accompanying 1/4" hex screws (Z), washers (Y) and hex nuts (W). Affix the cable to the handle in three places using the cable brackets (X) (see illustration). Affix the open/close decal (Å) on the handle beside the lever (see illustration).



- W. Hex nuts
- X. Cable bracket
- Y. Washer
- Z. Hex screws
- Å. Decal, open/close

SUPPLEMENT

Instructions for the catcher bag



WARNING!

Machines equipped with a catcher must not be used with defective catcher bags or without the catcher bag.

They pose a risk of thrown stones, eye injury and inhalation of pollution.

Connecting the catcher plate

Fit the hooks from the plate in the tracks at the back of the machine. Press the plate down in the tracks. Lift the end of the plate about 45°. The hooks at the front of the plate glide down into the keyhole.

Catcher bag

Insert the catcher bag into the underside of the handle and place it on the catcher plate.

Most damage to the collector plate results from incorrect assembly on the frame. See "Assembly instructions\Assembly directions, collector bag".

Correct height setting

The thatch collected will be thrown into the catcher by the force arising from the flail blades combing through the grass. The blades may not strike the soil. If the blades come in contact with the soil, they will claw, which results in ineffective dethatching.

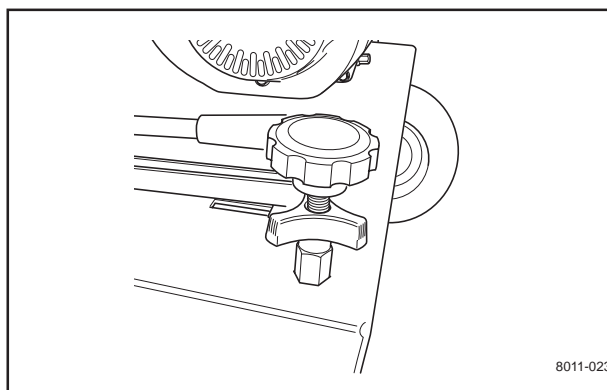
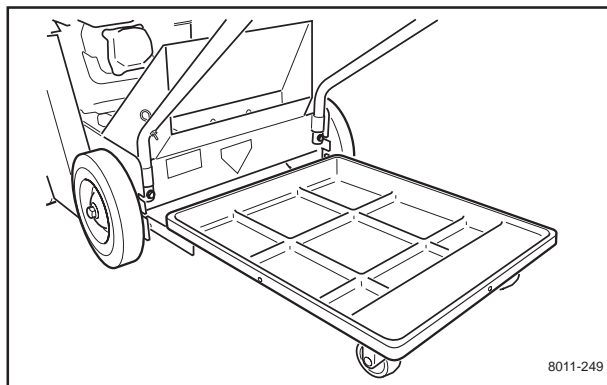
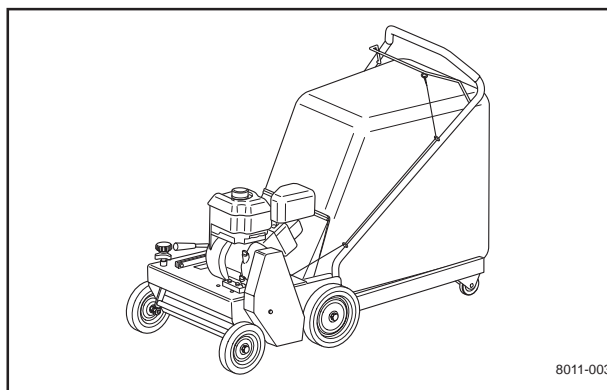
Collection conditions

One achieves best results if the lawn is short and dry. Wet lawns make collection less effective. If the grass is long, one may end up pulling and tearing at the lawn. If the layer of thatch is thick, Husqvarna recommends going over the lawn first in one direction and then again in a perpendicular direction. A thick layer of thatch may have formed over several years, and the lawn may need combing 2-3 times before it is removed completely. Do not attempt to remedy a major problem by combing the lawn just once.

Maintenance

Check prior to use that the catcher is properly assembled and that the bag is not damaged. See "Assembly instructions\Assembly directions, collector bag".

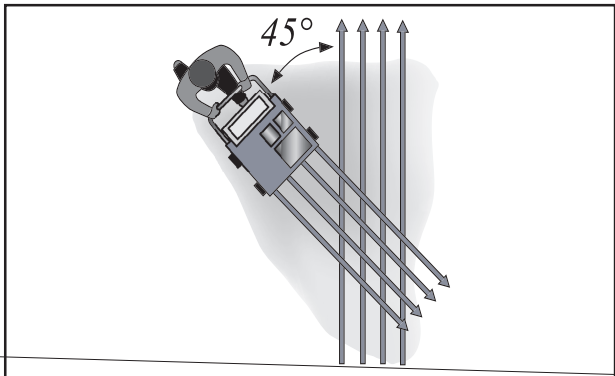
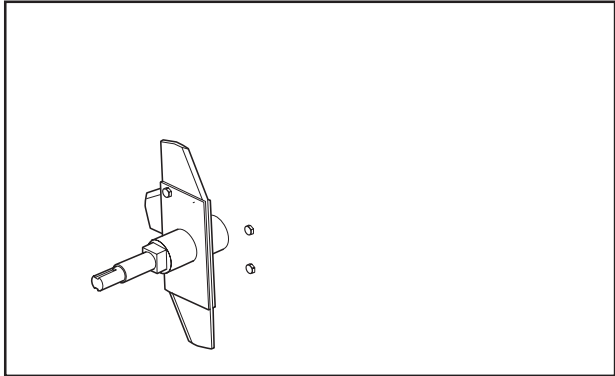
Clean the equipment after use.



WARNING!

Make sure that the catcher bag does not press against the clutch bar.

This can occur, particularly if the catcher bag is mounted incorrectly.





114 00 31-26



2001W35

We hope you find the links below useful. For further gardening information visit
[Gardening Tools Direct](#)



Blower Vacs	Brush cutters	Brushcutters	Chainsaws	Chain saws
Cultivators	Cylinder lawn mowers	Cylinder mowers	Echo chainsaws	Echo Strimmers
Electric chainsaws	Fertiliser spreaders	Garden blowers	Garden rollers	Garden shredders
Garden tractors	Garden vacuums	Hayter lawn mowers	Hedge cutters	Hedgecutters
Hover mowers	Husqvarna chainsaws	Kawasaki brush cutters	Kawasaki strimmers	Lawn mowers
Lawn scarifiers	Lawn tractors	Leaf blowers	Leaf vacuums	Petrol chainsaws
Petrol hedge cutters	Ride on lawn mowers	Ride on mowers	Rotary mowers	Rotavators
Ryobi strimmers	Scarifiers	Strimmers	Westwood lawn tractors	Westwood ride on mowers
		Westwood tractors		