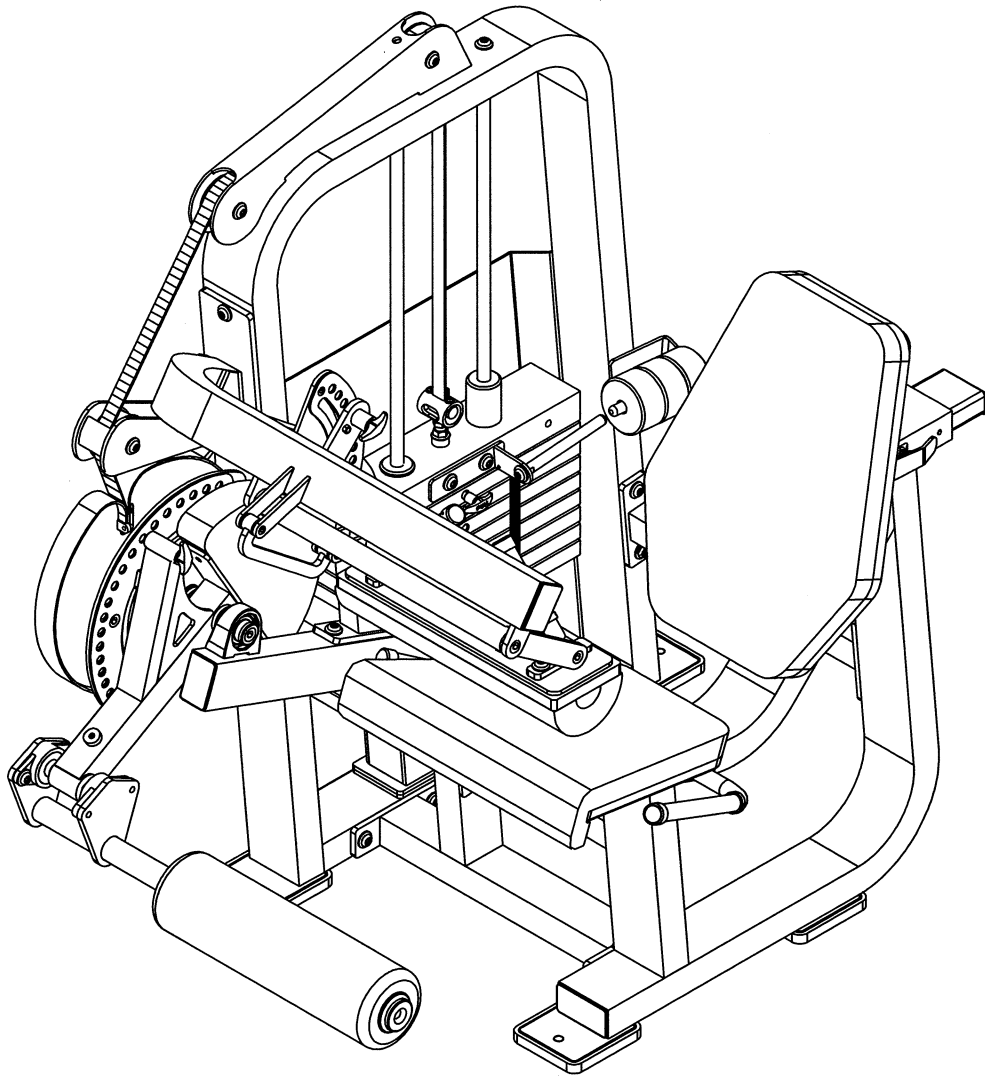


OWNERS MANUAL



CD2400

LEG EXTENSION/ LEG CURL



Note: Both Serial Number and Model Number are Required when Ordering Parts

RECORD SERIAL NUMBER HERE

CATALOG NUMBER

0201-001

Customer Service

(800) 548-5438

(858) 578-7676

Fax

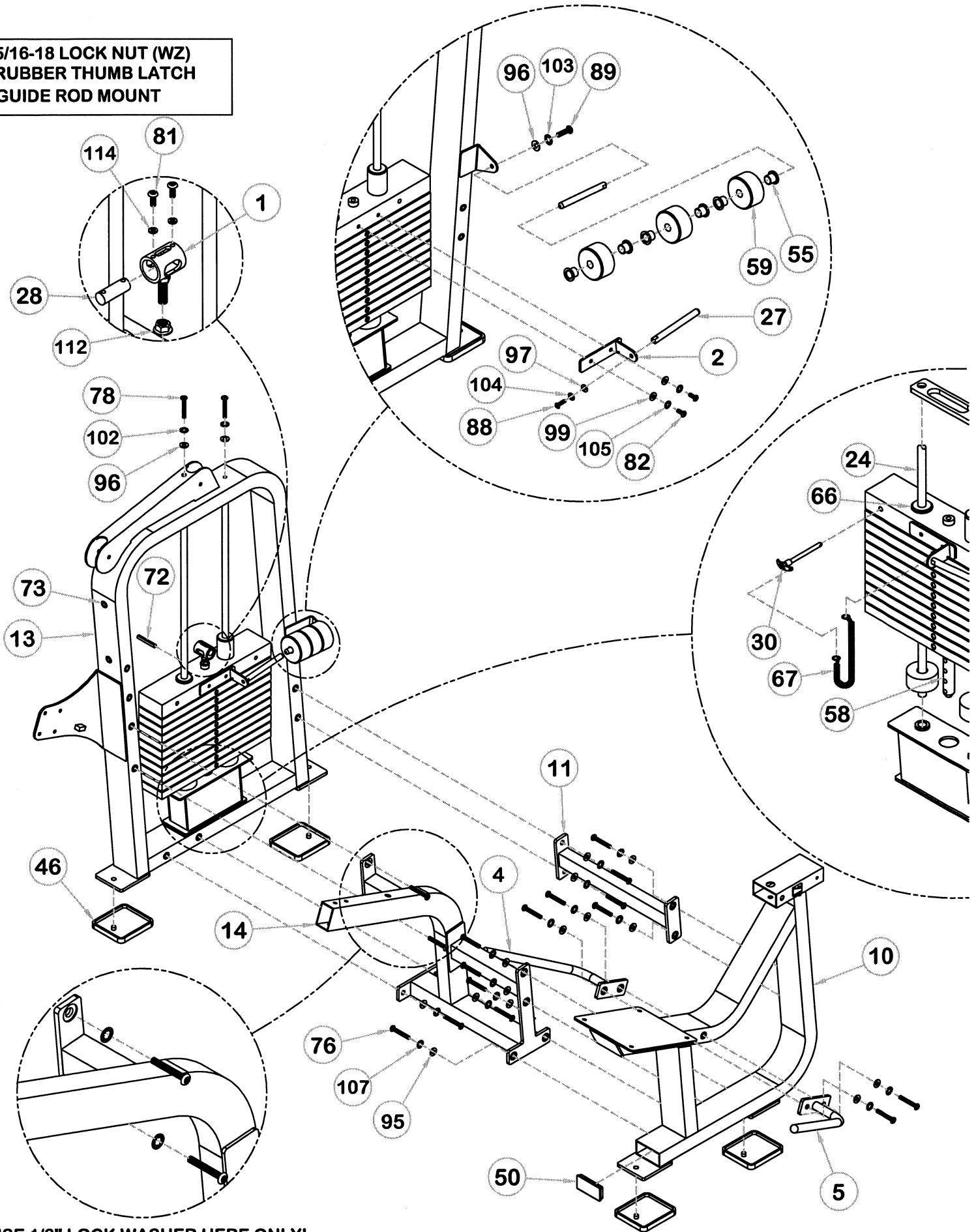
(858) 578-9558

CD2400 LEG EXTENSION/CURL

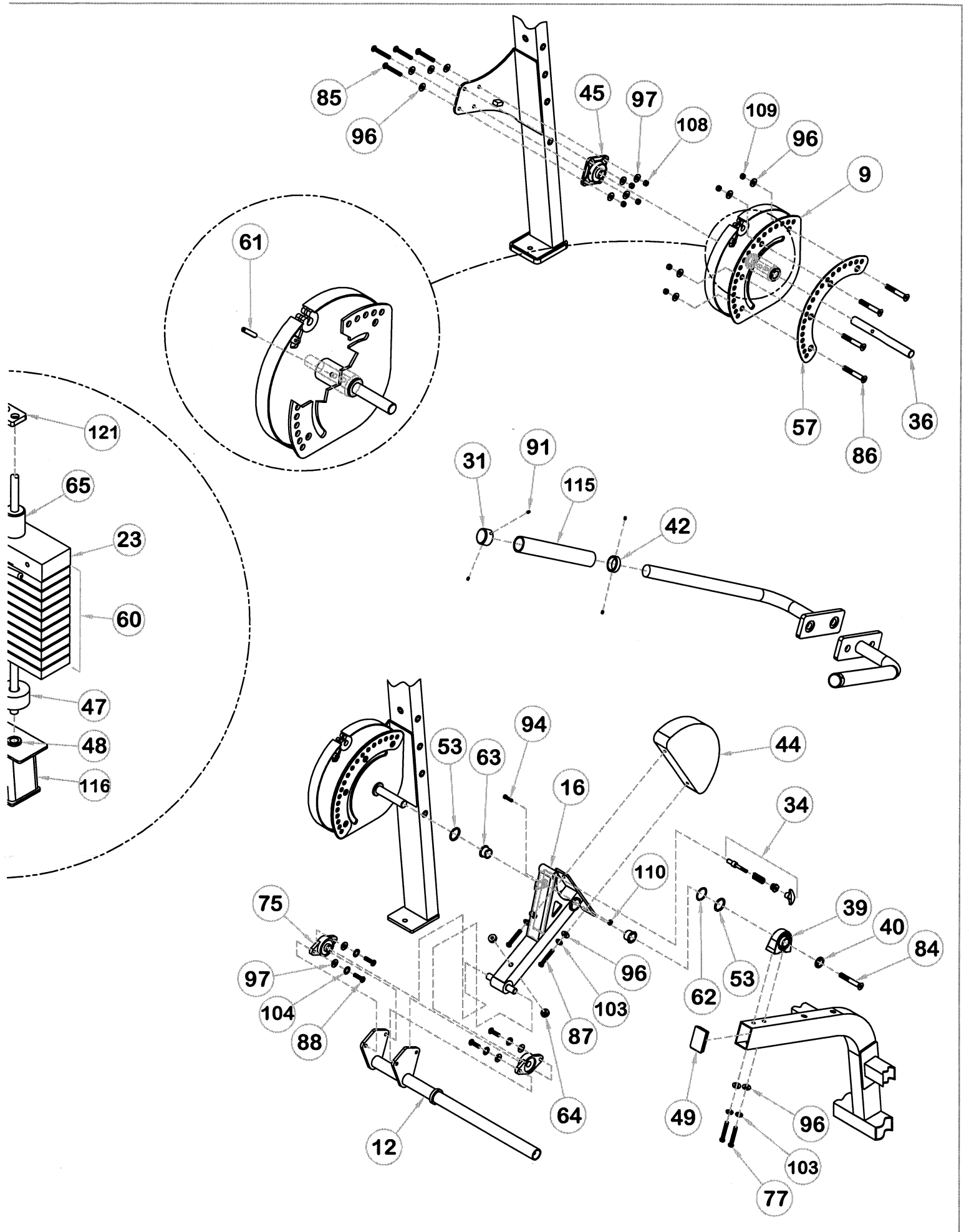
ITEM	QTY	PART NO.	DESCRIPTION
1	1	026-01X0145	BELT ANCHOR, ADJUSTABLE
2	1	026-01X0155	CENTER RH BRK (ADD ON)
3	1	026-01X0158	LATCH ASSEMBLY
4	1	026-01X0181	RIGHT HANDLE ASSEMBLY
5	1	026-01X0182	LEFT HANDLE ASSEMBLY
6	1	026-01X0183	HANDLE ASSEMBLY
7	1	026-01X0184	HOOK ASSEMBLY
8	1	026-01X0310	CHROME ASSEMBLY
9	1	026-01X0512	R.O.M/CAM ASSEMBLY
10	1	026-01X0634	SEATED FRAME ASSEMBLY
11	1	026-01X0636	REAR CROSS ASSEMBLY
12	1	026-01X0638	SHIN BAR ASSEMBLY
13	1	026-01X0639	WEIGHT CAGE
14	1	026-01X0641	MAIN CROSS ASSEMBLY
15	1	026-01X0643	HOLES SELECTOR ASSEMBLY
16	1	026-01X0644	EXTENSION ASSEMBLY
17	1	026-01X0744	UPPER MAIN CROSS ASSEMBLY
18	1	022-01PD0022	SEAT PAD ASSEMBLY
19	1	26-STD-SU1722	BACK PAD ASSEMBLY
20	1	26-STD-SU512171116	KNEE PAD ASSEMBLY
21	1	26-STD-SUB512171116	KNEE BACKING PAD
22	1	26-STD-SUR5517-1	ROLLER PAD
23	1	26-STD-SWTOP10	41 LB. STEEL TOP PLATE
24	2	026-01G0136	Ø3/4" x 46 3/4" GUIDE ROD
25	1	026-1100063	SHIELD
26	1	015-0002002	80" LG. BELT
27	2	026-01M0295	ADD ON ROD
28	1	026-01M0294	BELT RETAINER SHAFT
29	1	026-01M0309	SHAFT PIN
30	1	026-01M0134	SELECTOR PIN
31	4	026-01M323	ALUMINUM END CAP
32	1	026-01M0503	ADJUSTER SPRING
33	1	026-01X0485-12L	SHORT PULLPIN
34	1	026-01X0186	LONG PULLPIN
35	1	026-01M0358	Ø3/4" x 18 11/16" SHAFT
36	1	026-01M0356	Ø1" x 10 19/32" SHAFT
37	1	026-01M0357	Ø3/4" x 20 3/8" SHAFT
38	2	026-01M0361	Ø1/2" x 1 3/32" SHAFT
39	1	014-0010007	PILLOW BLOCK BEARING
40	1	026-01M0240	FLAT HEAD CAP (RED)
41	1	026-01M0238	ALUMINUM CAP (FLAT HEAD)
42	4	026-01M0324	ALUMINUM RING
43	2	026-01P0467	SERRATED CLAMP
44	1	026-01P0559	42 1/2 LB. COUNTER BALANCE
45	1	014-0009004	FLANGE BEARING
46	4	026-01PL195	RUBBER FOOT PAD
47	2	026-01PL201	WEIGHT BUMPER
48	2	026-01PL134	GUIDE ROD BUSHING
49	2	026-01PL192RV	2" x 3" ENDCAP (VH)
50	1	026-01PL187RH	2" x 4" END CAP (HH)
51	2	026-01PL125	EZ GLIDE SLEEVE
52	2	026-01PL206-5	4.370" RUBBER GRIP
53	2	026-01PL178	BLACK PLASTIC RING
54	2	026-01PL144	PLASTIC FENDER WASHER
55	1	026-01PL210	ADD ON WEIGHT BUSHING
56	1	026-01A0190	RANGER ADJUSTER PLATE
57	1	026-01A0198	RANGE ADJUSTER PLATE
58	1	026-01W0111	STEM (16 HOLE)

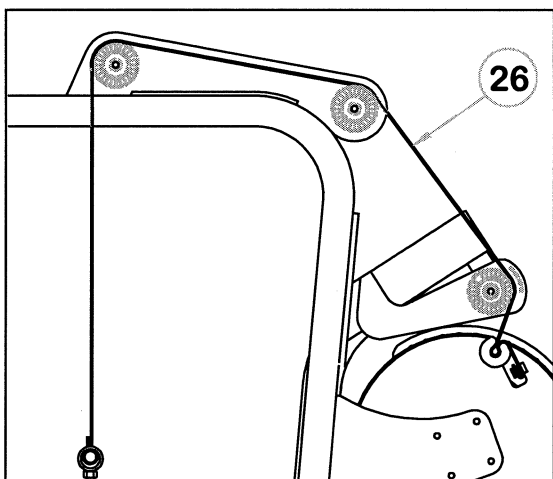
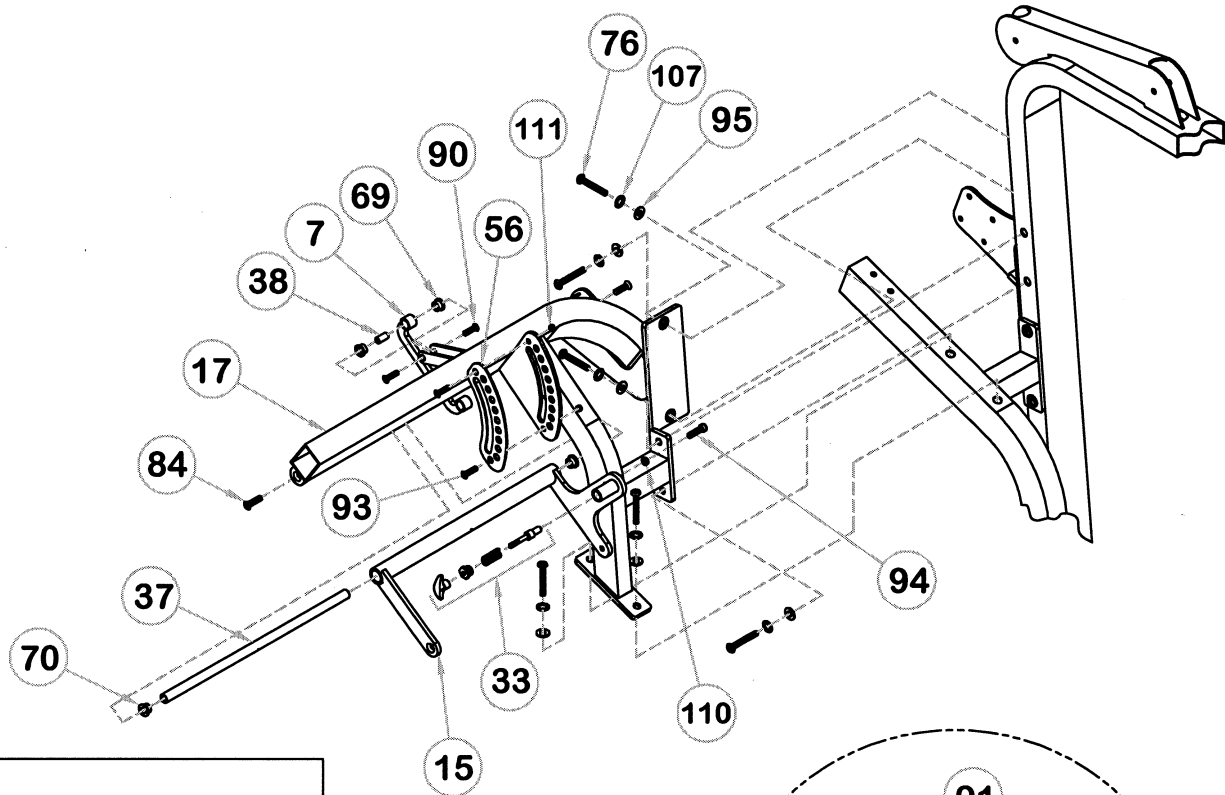
ITEM	QTY	PART NO.	DESCRIPTION			
59	3	26-STD-SWADD7	ADD ON WEIGHTS	119	1	012-0102006
60	10	26-STD-SW104	20 LB. INTERMEDIATE WEIGHT	120	1	012-0102006
61	1	030-0303003	3/8" x 2" OPEN ROLL PIN	121	1	026-01PL268
62	1	014-0024001	1"ID x 8mm THK METAL SHIM WASHER			
63	2	014-0101005	1 3/8" OD x 1"ID FLANGE OILITE			
64	2	019-0001001	BUMPER STOPPER			
65	1	014-0009005	TALL GUIDE BEARING			
66	1	014-0009006	SHORT GUIDE BEARING			
67	1	010-0008001	SELECTOR PIN LANYARD			
68	3	018-0002001	3 1/4" PULLEY			
69	4	014-0101003	3/4"ID OILITE			
70	4	014-0101004	1/2" ID OILITE			
71	1	026-01PL231	1 1/2" x 3 1/2" END CAP			
72	1	030-0303006	TOP WEIGHT ROLL PIN			
73	24	014-0014001	1/2" INSERT			
74	1	014-0015001	C-CLIP			
75	2	014-0008004	FLANGE BEARING			
76	24	011-0101047	1/2-13" x 1 1/2" BUTTON HEAD SCREW			
77	2	011-0101028	3/8-16" x 3 1/2" BUTTON HEAD SCREW			
78	2	011-0101016	3/8-16" x 2 3/4" BUTTON HEAD SCREW			
79	6	011-0101041	3/8-16" x 3/4" BUTTON HEAD SCREW			
80	2	011-0501002	1/4-20" x 1 1/2" SOCKET HEAD SCREW			
81	2	011-0301029	1/4-20" x 1" BUTTON HEAD SCREW			
82	2	011-0201006	5/16-18" x 1" BUTTON HEAD SCREW			
83	11	011-0101062	5/16-18" x 1 1/4" BUTTON HEAD SCREW			
84	6	011-0002033	3/8-16" x 1 1/2" FLAT HEAD SCREW			
85	4	011-0101027	3/8-16" x 1 1/2" BUTTON HEAD SCREW			
86	4	011-0002032	3/8-16" x 3/4" FLAT HEAD SCREW			
87	2	011-0101061	3/8-16" x 1 3/4" BUTTON HEAD SCREW			
88	5	011-0201003	3/8-16" x 1" BUTTON HEAD SCREW			
89	1	011-0101026	3/8-16" x 1" BUTTON HEAD SCREW			
90	4	011-0102003	1/4-20" x 1/2" FLAT HEAD SCREW			
91	16	11-SET-10(32)18	#10-32 SET SCREW			
92	1	011-0311013	3/8-16" x 3/4" SQUARE HEAD SET SCREW			
93	2	011-0102004	1/4-20" x 3/4" FLAT HEAD CAP SCREW			
94	2	011-0101063	3/8-16" x 1" SOCKET HEAD SCREW			
95	22	013-0102003	1/2" SAE FLAT WASHER			
96	18	013-0002004	3/8" SAE FLAT WASHER			
97	8	013-0202004	3/8" SAE FLAT WASHER			
98	2	013-0202002	1/4" SAE FLAT WASHER			
99	2	013-0202003	5/16" SAE FLAT WASHER			
100	13	013-0002001	5/16" SAE FLAT WASHER <i>uss(wz)</i>			
101	2	013-0002003	1/4" SAE FLAT WASHER			
102	2	013-0102020	3/8" SPLIT WASHER			
103	11	013-0102022	3/8" LOCK WASHER			
104	5	013-0206003	3/8" LOCK WASHER			
105	2	013-0206002	5/16" LOCK WASHER			
106	11	013-0102021	5/16" LOCK WASHER			
107	24	013-0302014	1/2" LOCK WASHER			
108	4	012-0304004	3/8-16 LOCK NUT			
109	4	012-0004004	3/8-16 (THICK) LOCK NUT			
110	2	012-0104008	3/8-16 (THIN) LOCK NUT			
111	4	012-0104009	1/4-20 LOCK NUT			
112	1	012-0202001	SERRATED HEX NUT			
113	1	26-STD-SUB1722	BACKING PAD			
114	2	013-0206001	1/4" LOCK WASHER			
115	2	026-01PL206-13	HAND GRIP 10.5" LONG			
116	1	026-01M0449	5/16 THREAD COVER			
117	1	026-01X0726	WEIGHT SPACER ASSEMBLY			
118	1	011-0101069	5/16-18 x 1 1/2 BUTTON HEAD SCREW (WZ)			

**5/16-18 LOCK NUT (WZ)
RUBBER THUMB LATCH
GUIDE ROD MOUNT**

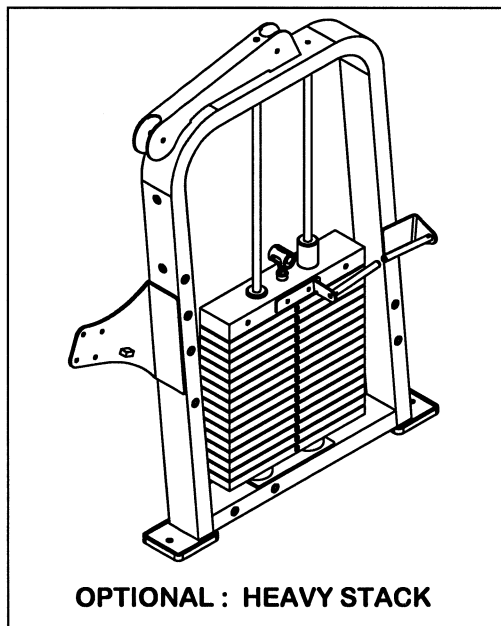
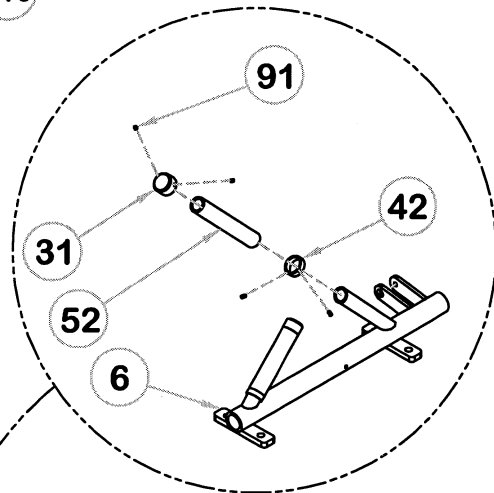


USE 1/2" LOCK WASHER HERE ONLY!

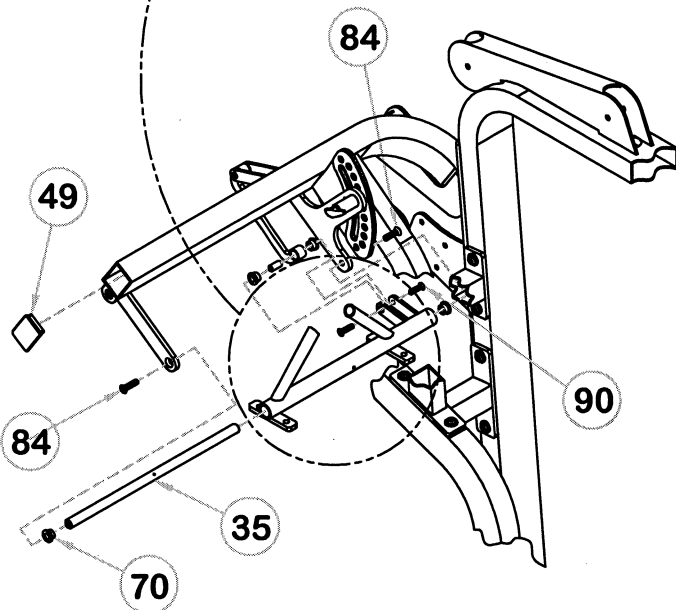


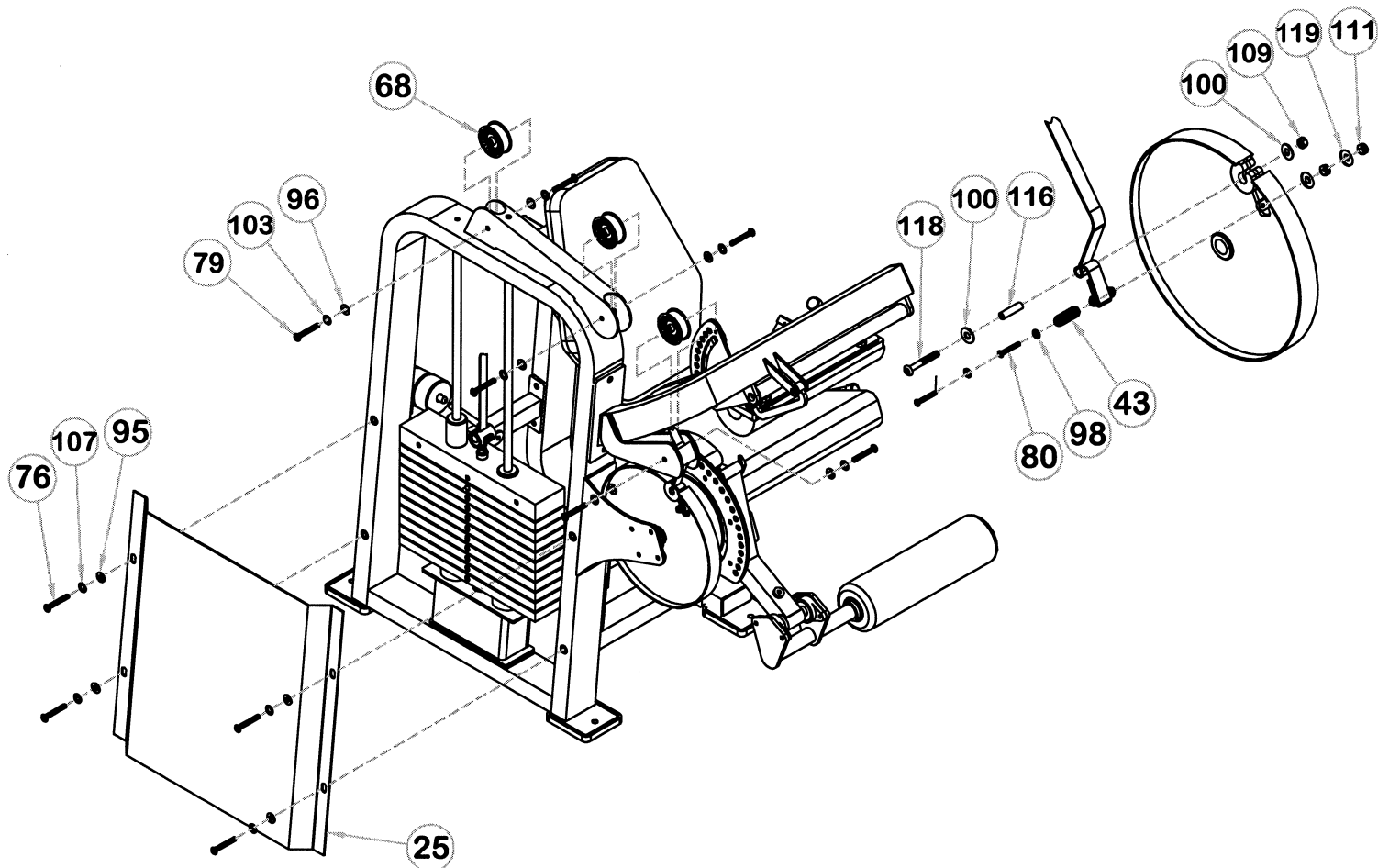
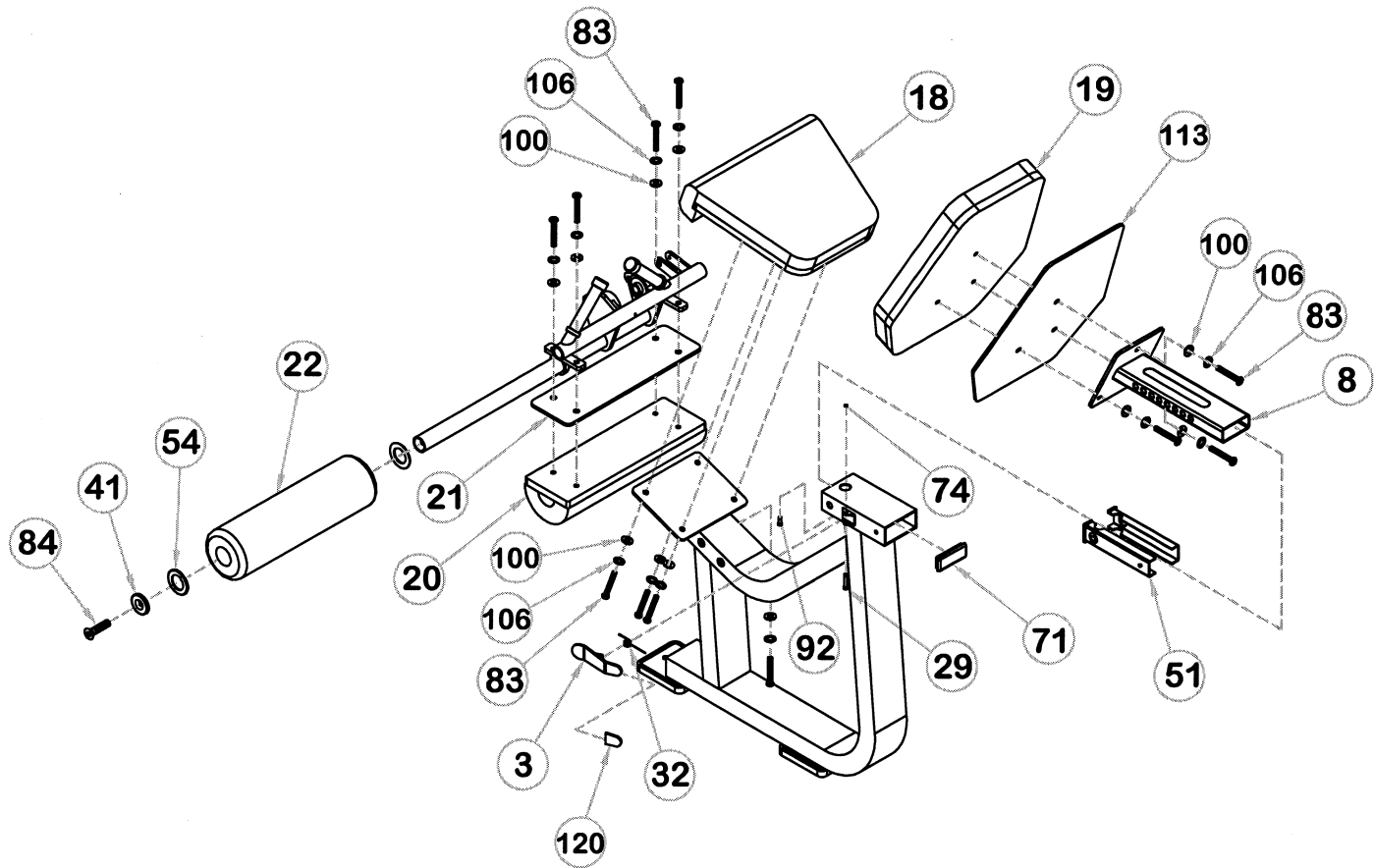


FOR BELT/CABLE ADJUSTMENT AND INSTALLATION SEE STANDARD MANUAL SECTION.

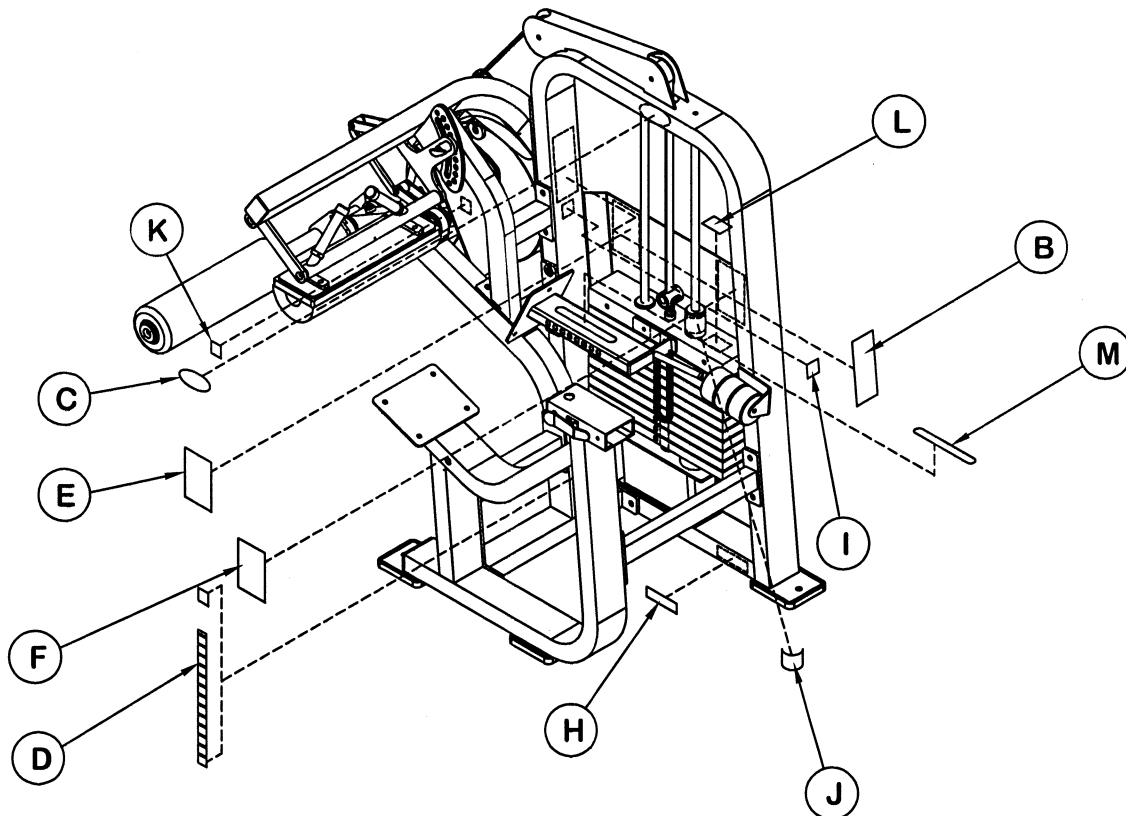
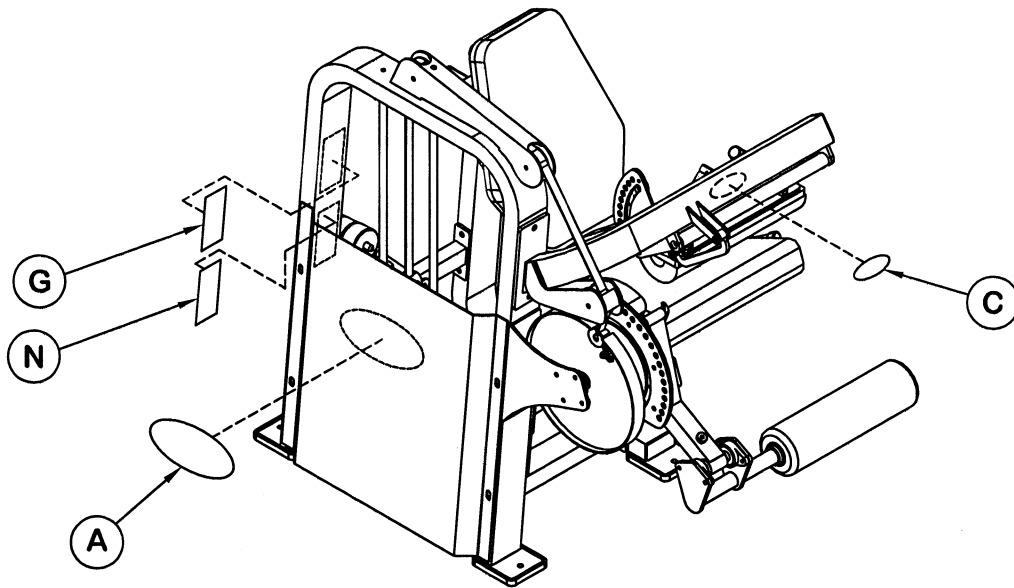


OPTIONAL : HEAVY STACK





DECAL PLACEMENTS



DESCRIPTION	PART NO.	DESCRIPTION	PART NO.
A. SHIELD DECAL.....	021-0004026	H. SERIAL # DECAL.....	021-0012004
B. ROUTINE MAINTENANCE DECAL.....	021-0003131	I. PATENT PENDING DECAL.....	021-0003090
C. FRAME HOIST LOGO.....	021-0004029	J. GUIDE BEARING DECAL.....	021-0003107
D. WEIGHT PLATE DECAL.....	021-0003011	K. CAUTION MOVING PART DECAL.....	021-0003093
E. EXERCISE INSTRUCTION PLACARD.....	021-0013085	L. PINCH POINT DECAL.....	021-0003113
F. EXERCISE INSTRUCTION PLACARD.....	021-0013088	M. CHROME # SELECTOR DECAL.....	021-0004024
G. WARNING DECAL.....	021-0003130		
		N. CD-2400 WEIGHT RATIO CHART.....	021-0003275