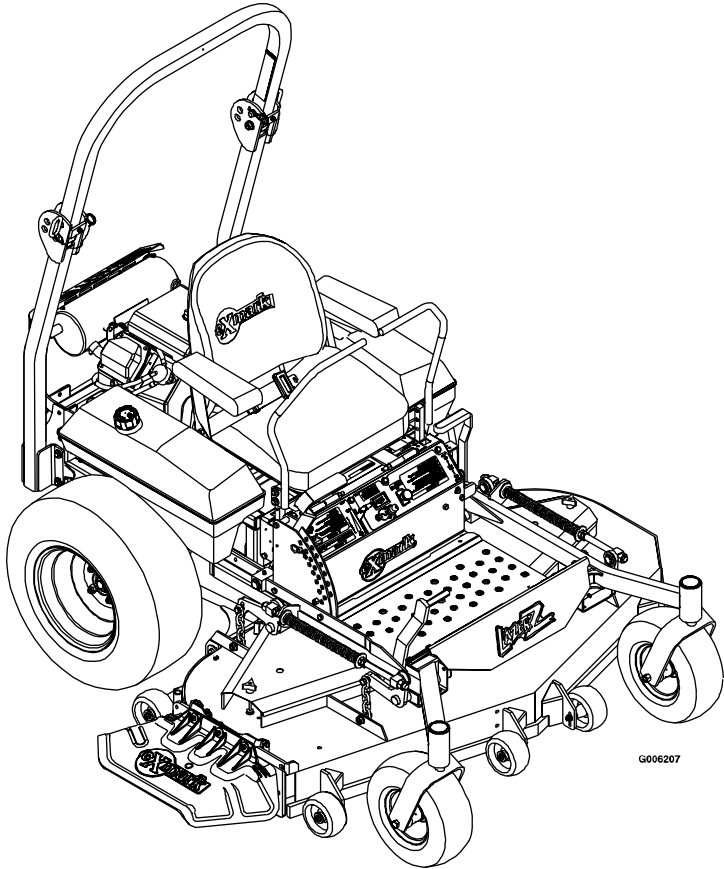


For Serial Nos.  
720,000 & Higher



PARTS MANUAL

LAZER Z<sup>®</sup>

ADVANTAGE SERIES MODELS

Place Model No. And Serial No.  
Label Here (Included in Literature  
Pack) or Fill in Below

Model No. \_\_\_\_\_

Serial No. \_\_\_\_\_

Date Purchased \_\_\_\_\_

Engine Model No. and Spec. No. \_\_\_\_\_

Engine Serial No. (E/No) \_\_\_\_\_

The Serial No. plate is located on the right side of the console.  
For ease of ordering and reference, we suggest that you record  
the information requested.

# EXMARK PARTS PLUS® PROGRAM

EFFECTIVE DATE: September 1, 1995

## Program

If your Exmark dealer does not have the Exmark part in stock, Exmark will get the parts to the dealer the next business day or the part will be FREE\* Guaranteed!!

## *How the Program Works*

1. If dealer does not have part in stock for a "down" unit at the time of request by customer, the dealer contacts his distributor by 1:00 p.m., local time, and requests Exmark Parts Plus® shipment of six (6) line items or less.
2. Distributor ships part(s) to dealer or customer, as requested by dealer, same day, overnight UPS. Distributor bills dealer for part and freight charges where applicable.
3. If distributor does not have the part(s) in stock to satisfy Exmark Parts Plus® order, he contacts Exmark by 3:00 p.m., central time, with an Exmark Parts Plus® order of six (6) line items or less.
4. If order is received by 3:00 p.m. central time, Exmark ships part(s) direct to dealer or customer, as requested by distributor, same day, overnight UPS. Exmark bills the distributor for parts and shipping charges, where applicable.
5. The customer pays for the part and freight if it is shipped under the Exmark Parts Plus® and if it arrives in accordance to the program.
6. Who pays for the part and freight if it fails to arrive overnight in accordance to the program?
  - A. Under any circumstance the customer does not pay.
  - B. If the part does not arrive overnight due to:
    1. The dealer not submitting the Exmark Parts Plus® order to his Exmark distributor by 1:00 p.m., the dealer pays for the part and freight.
    2. The Distributor being unable to ship the part the same day or not submitting the Exmark Parts Plus® order to Exmark by 3:00 p.m., central time, the Distributor pays for the part and freight.
    3. Exmark being unable to ship the part and the Exmark parts order is received by 3:00 p.m., central time, Exmark pays for the part and freight.
    4. If the part does not arrive overnight due to the shipper (UPS), the shipper pays for the freight and Exmark pays for the part.



**The following restrictions apply** -- The Exmark Parts Plus® Program is available only through participating Exmark Dealers and applies only to orders submitted on this program Monday through Thursday. Parts Plus service is available only in the 48 contiguous United States. UPS has initiated a Saturday delivery program to many areas of the continental United States and can be requested for an overnight shipment on Friday to be delivered Saturday. The next day air charge, plus the Saturday delivery fee will be the responsibility of the purchaser. Exmark Mfg. will assume no responsibility for Saturday delivery shipments. To qualify, all Exmark Parts Plus® orders must be received by Exmark by 3:00 p.m., central time. Orders must be six (6) line items or less. Exclusions from the Exmark Parts Plus® Program are: Any wholegood or accessory in its entirety, engines and engine replacement parts, 5-speed Peerless transmissions and 5-speed transaxles, hydraulic or hydrostatic wheel motors, cutter decks and engine decks or any item exceeding United Parcel Service size and weight restrictions.

Due to UPS restrictions, aerosol spray paint is considered a hazardous material and cannot be shipped via UPS next day or Second Day Air.

Exmark Manufacturing stocks a limited supply of parts for transaxles, pumps and wheel motors. These parts can be ordered for Next Day Air shipment but will not be guaranteed per the Parts Plus Program.



**READ OPERATOR'S MANUAL BEFORE  
OPERATING OR SERVICING EXMARK EQUIPMENT.**

## **TABLE OF CONTENTS**

<b><u>Description</u></b>	<b><u>Page</u></b>
Decal Group.....	21-22
Electrical Diagrams .....	25-26
Electrical Groups.....	23-24
Electrical Logic Schematics.....	27-28
Engine Deck Group.....	16-18
Front Frame Group .....	9-10
Fuel Group .....	13
Hydraulics Group .....	19-20
Main Frame Group.....	11-12
Motion Control Group.....	15
Park Brake Group .....	14
Deck Groups .....	3-8

## 52" DECK GROUP

Item	Part No.	Description	Qty.
1	103-3183	Asm, Deck (109-5775-01) W/Decals .....	1
2	3256-24	Washer, 3/8 SAE .....	3
3+	103-2794	Sheave, Blade Drive .....	3
4	1-513208	Washer, Spring Disk .....	1
5	1-303334	Washer, 5/16 Spring Disk.....	1
6	32128-20	Nut, 5/16-18 Whizlock .....	8
7	1-602913-01	Baffle Wldmt, Discharge.....	1
8	322-2	Screw, 5/16-18 x 5/8 .....	5
9	1-603299	Roller, Antiscalp .....	6
10	3290-357	Nut, 3/8-16 Whizlock .....	12
11	109-6658	Nut, Nyloc 3/8-16 Flg .....	6
12	99-2842	Spacer .....	6
13	98-5975	Washer, 3/8 Spring Disk.....	13
14+	103-8280	Housing W/Bearings .....	3
15	109-2738	Chute, Discharge 52" .....	1
16	322-5	Screw, 5/16-18 x 1 .....	5
17	3296-29	Nut, 5/16-18 Nyloc .....	7
18	1-633357-01	Shield, Belt 52" .....	2
19	1-323385	Knob, Belt Shield .....	6
20	1-322110	Belt Guide Wldmt .....	1
21	109-5958	Screw, Hex Flange 1/2-20.....	3
22	323-12	Screw, 3/8-16 x 2 1/2 .....	2
23	1-303537	Stud, Belt Shield .....	2
24	3256-3	Washer 5/16 Std Flat .....	4
25	1-323417	Washer, Rubber .....	2
26	103-3330	Spring, Extension.....	1
27	1-373034	Washer .....	2
28	103-5677	Spacer .....	1
29*	103-5693	Kit, Idler Arm (103-6528-01) W/Bearings .....	1
30	106-7159	O-ring.....	2
31	302-40	Zerk, 1/4-20 90° .....	1
32	3256-4	Washer, 3/8 Std Flat .....	2
33	3296-39	Nut, 3/8-16 Nyloc .....	19
34	103-3504	Bearing, Spherical.....	2
35	109-2796	Pulley, Idler .....	2
36	3234-11	Bolt, 3/8-16 x 1 Whizlock.....	1
37	1-633456	Bushing, Idler.....	2
38	3217-11	Nut, 5/8-11 Hex.....	2
39	32128-37	Nut, 7/16-14 Whizlock .....	16
40	1-603805	Idler Pulley 5.06 O.D V.....	1
41	1-633366	Belt, Blade Drive 52" Deck .....	1

Item	Part No.	Description	Qty.
42	1-633447	Chain .....	4
43	103-1898	Screw, 7/16-14 x 1 5/8 Sp.....	8
44	103-3505	Seal, Double Lip .....	1
45	103-9076	Cutter Housing Complete.....	3
46+	103-3182	Sheave, Jackshaft .....	1
47	103-2535	Spacer, Guard Bottom .....	4
48	323-6	Screw, 3/8-16 x 1 .....	4
49	109-1181	Strut Wldmt, Deck .....	2
50+□	103-9086	Kit, Spindle .....	3
51	1-633029	Spherical Rod End.....	2
52	327-11	Screw, 5/8-11 x 5.....	2
53	3253-8	Lockwasher, 5/8 Reg.Spring .....	2
54	302-19	Zerk, 1/4-28 Straight .....	4
55	1-632199-01	Pin Wldmt, Deck Strut.....	2
56	3219-6	Nut, 5/8-18 Hex.....	3
57	3217-46	Nut, HH 3/4-16 Heavy.....	3
58	103-2982	Key, 1/4 x 3/16 x 3/4 .....	3
59+	1-643393	Jackshaft .....	1
60	103-1081	Asm, Strut Long.....	2
61+	103-1330	Guard, Bearing Top .....	3
62	323-7	Screw, Hex Cap 3/8 x 1 1/4 .....	18
63+	103-9746	Asm, Jackshaft Housing W/Brgs .....	1
64	103-2802	Washer, Spring Disk 3/4 .....	3
65	103-6402	Blade, Notched .....	3
	103-6387	Blade, Low Lift .....	3
◆	103-6392	Blade, Mulching .....	3
	103-6382	Blade, Solid .....	3
	103-6397	Blade, Extreme .....	3
66	103-3248	Asm, Jackshaft 52 .....	1
67▲	103-3257	Asm, Deck Complete .....	1
68	103-2916	Guard, Top .....	1
69	98-5961	Screw, 3/8-16 x 4 Gr 8 .....	1
70	103-3506	Seal, Single Lip.....	1
71	32120-10	Ring, Retaining .....	2
72	103-3037	Bushing, Splined.....	3
73	109-2148	Asm, Discharge Chute .....	1
74	3256-82	Washer .....	3
75	3230-22	Bolt, Carriage 5/16-18 x1 .....	3
76	109-0938-01	Hinge, Grass Discharge.....	1
77	103-9817	Asm, Chain Deck .....	2
78	103-9792	Asm, Chain Deck .....	2
79	103-4051	Kit, Anti-scalp.....	6

Exmark red touch up paint (spray paint - P/N 1-850337 - .6 oz liquid bottle - P/N 103-9140).

◆ Requires installation of Micro-Mulch accessory for proper mulching. Mulch kit P/N MK524Q.

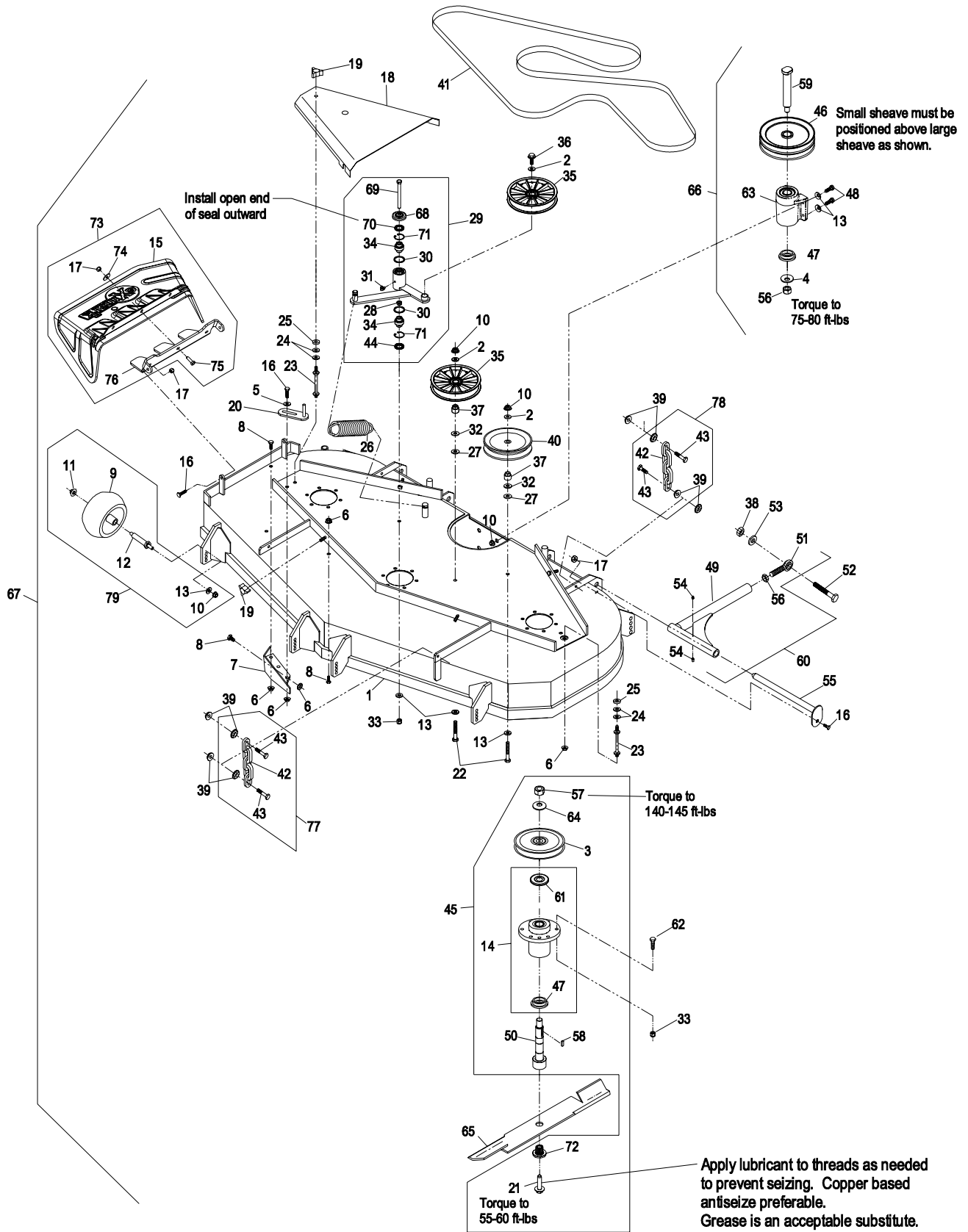
+ Apply Mobil HTS grease (P/N 103-5217 1.5 oz packet) (or a food-grade antisieze) between the jackshaft and bearings, jackshaft and sheaves, spindles and bearings, spindles and sheaves, and under top bearing guard. DO NOT use a copper or nickel based antisieze.

▲ Complete deck assembly excludes items #39, #42, #43, and #60 and includes mule drive belt from page 16.

\* Kit also includes items #13 & #33.

□ Kit includes items #21, #57, #58, #64 & #72.

# 52" DECK GROUP



## 60" DECK GROUP

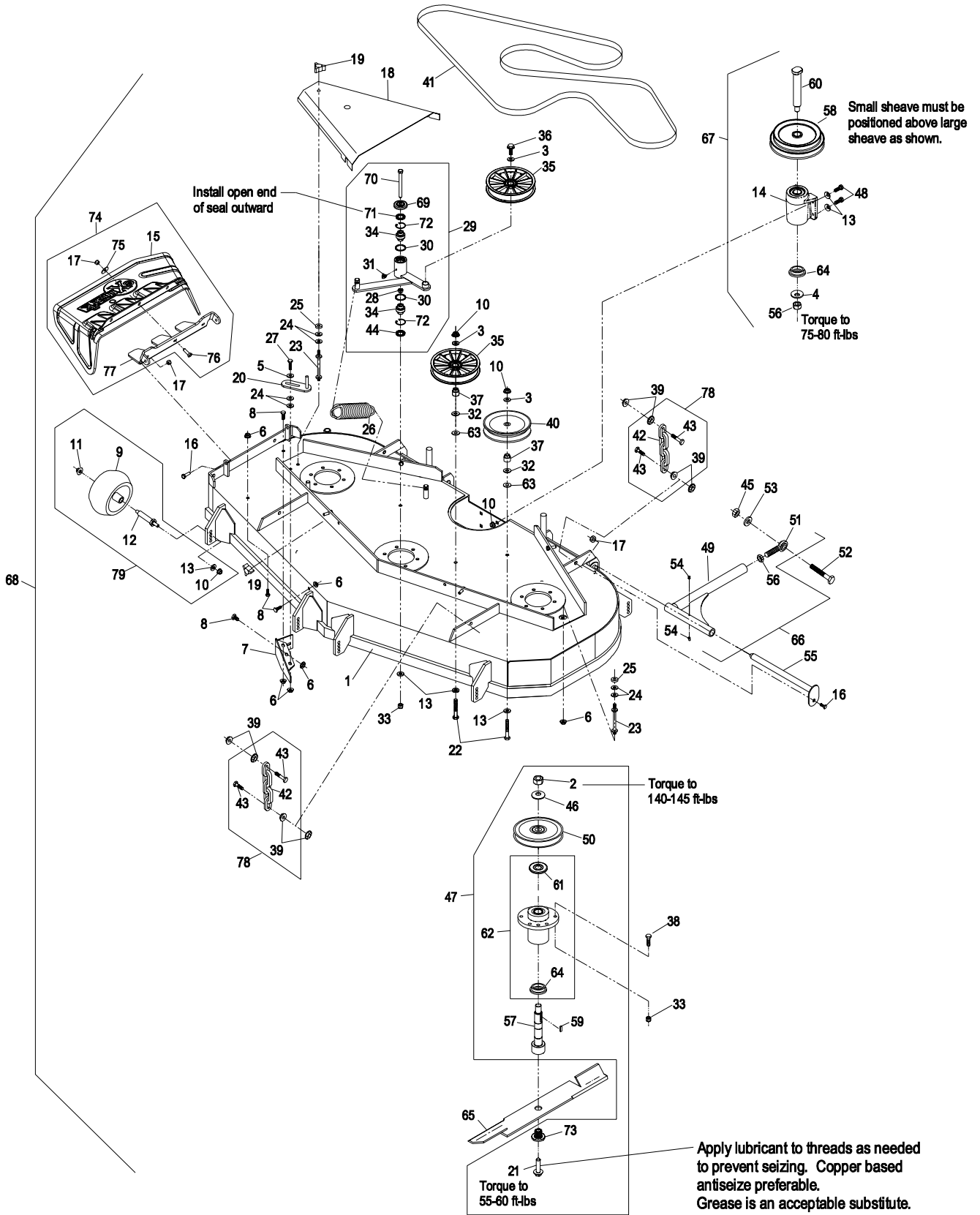
Item	Part No.	Description	Qty.
1	103-3184	Asm, Deck (109-4081-01) W/Decals .....	1
2	3217-46	Nut, Hex 3/4-16 Heavy .....	3
3	3256-24	Washer, 3/8 SAE .....	3
4	1-513208	Washer, Spring Disk .....	1
5	1-303334	Washer, 5/16 Spring Disk .....	1
6	32128-20	Nut, 5/16-18 Whizlock .....	8
7	1-602913-01	Baffle Wldmt, Discharge .....	1
8	322-2	Screw, 5/16-18 x 5/8 .....	5
9	1-603299	Roller, Antiscalp .....	6
10	3290-357	Nut, 3/8-16 Whizlock .....	12
11	109-6658	Nut, Nyloc 3/8-16 Flg .....	6
12	99-2842	Spacer .....	6
13	98-5975	Washer, 3/8 Spring Disk .....	13
14+	103-9746	Asm, Jackshaft Housing W/Brgs .....	1
15	109-2738	Chute, Discharge .....	1
16	322-5	Screw, 5/16-18 x 1 .....	4
17	3296-29	Nut, 5/16-18 Nyloc .....	7
18	1-633084-01	Shield, Belt 60" .....	2
19	1-323385	Knob, Belt Shield .....	6
20	1-322110	Belt Guide Wldmt .....	1
21	109-5958	Screw, Hex Flange 1/2-20 .....	3
22	323-12	Screw, 3/8-16 x 2 1/2 .....	2
23	1-303537	Stud, Belt Shield .....	2
24	3256-3	Washer 5/16 Std Flat .....	6
25	1-323417	Washer, Rubber .....	2
26	103-3330	Spring, Extension .....	1
27	322-6	Screw, 5/16-18 x 1 1/4 .....	1
28	103-5677	Spacer .....	1
29*	103-5693	Kit, Idler Arm (103-6528-01) W/Bearings .....	1
30	106-7159	O-ring .....	2
31	302-40	Zerk, 1/4-20 90° .....	1
32	3256-4	Washer, 3/8 Std Flat .....	2
33	3296-39	Nut, 3/8-16 Nyloc .....	19
34	103-3504	Bearing, Spherical .....	2
35	109-2796	Pulley, Idler .....	2
36	3234-11	Bolt, 3/8-16 x 1 Whizlock .....	1
37	1-633456	Bushing, Idler .....	2
38	323-8	Screw, 3/8-16 x 1 1/2 .....	18
39	32128-37	Nut, 7/16-14 Whizlock .....	16
40	1-603805	Idler Pulley 5.06 O.D. V .....	1
41	1-633127	Belt, Blade Drive Deck .....	1

Item	Part No.	Description	Qty.
42	1-633447	Chain .....	4
43	103-1898	Screw, 7/16-14 x 1 5/8 Sp .....	8
44	103-3505	Seal, Double Lip .....	1
45	3217-11	Nut, 5/8-11 Hex .....	2
46	103-2802	Washer, Spring Disk .....	3
47	103-9076	Cutter Housing Complete .....	3
48	323-6	Screw, 3/8-16 x 1 .....	4
49	109-1181	Strut Wldmt, Deck .....	2
50+	103-2794	Sheave, Blade Drive .....	3
51	1-633029	Spherical Rod End .....	2
52	327-11	Screw, 5/8-11 x 5 .....	2
53	3253-8	Lockwasher, 5/8 Reg. Spring .....	2
54	302-19	Zerk, 1/4-28 Straight .....	4
55	1-632199-01	Pin Wldmt, Deck Strut .....	2
56	3219-6	Nut, 5/8-18 Hex .....	3
57+□	103-9086	Kit, Spindle .....	3
58+	103-3046	Sheave, Jackshaft Double .....	1
59	103-2982	Key, 1/4 x 3/16 x 3/4 .....	3
60+	1-643393	Jackshaft .....	1
61+	103-1330	Guard, Bearing Top .....	3
62+	103-8280	Housing W/Bearings .....	3
63	1-373034	Washer .....	2
64	103-2535	Spacer, Guard Bottom .....	4
65	103-6403	Blade, Notched .....	3
	103-6388	Blade, Low Lift .....	3
◆	103-6393	Blade, Mulching .....	3
	103-6383	Blade, Solid .....	3
	103-6398	Blade, Extreme .....	3
66	103-1081	Asm, Strut Long .....	2
67	103-3249	Jackshaft Assy .....	1
68▲	103-3258	Complete Deck Assy .....	1
69	103-2916	Guard, Top .....	1
70	98-5961	Screw, 3/8-16 x 4 Gr 8 .....	1
71	103-3506	Seal, Single Lip .....	1
72	32120-10	Ring, Retaining .....	2
73	103-3037	Bushing, Splined .....	3
74	109-2148	Asm, Discharge Chute .....	1
75	3256-82	Washer .....	3
76	3230-22	Bolt, Carriage 5/16-18 x1 .....	3
77	109-0938-01	Hinge, Grass Discharge .....	1
78	103-9792	Asm, Chain Deck .....	4
79	103-4051	Kit, Anti-scalp .....	6

Exmark red touch up paint (spray paint - P/N 1-850337 - .6 oz liquid bottle - P/N 103-9140).

- ◆ Requires installation of Micro-Mulch accessory for proper mulching. Mulch kit P/N MK604Q.
- + Apply Mobil HTS grease (P/N 103-5217 1.5 oz packet) (or a food-grade antisieze) between the jackshaft and bearings, jackshaft and sheaves, spindles and bearings, spindles and sheaves, and under top bearing guard. DO NOT use a copper or nickel based antisieze.
- ▲ Complete deck assembly excludes items #39, #42, #43, and #66 and includes mule drive belt from page 16.
- \* Kit also includes items #13 & #33.
- Kit includes items #2, #21, #46, #59 & #73.

# 60" DECK GROUP



## 72" DECK GROUP

Item	Part No.	Description	Qty.
1	1-643052	Belt, Blade Drive 72" .....	1
2	1-323385	Knob, Belt Shield .....	6
3	1-643076-01	Shield, Belt 72" RH (Shown) .....	1
	1-643075-01	Shield, Belt 72" LH .....	1
4	3234-11	Bolt, 3/8-16 x 1 Whizlock .....	1
5	3256-24	Washer, 3/8 SAE .....	3
6	109-2796	Pulley, Idler .....	2
7	103-3330	Spring, Extension .....	1
8	3290-357	Nut, 3/8-16 Whizlock .....	12
9	1-633456	Bushing, Idler .....	2
10	3256-4	Washer, 3/8 Std Flat .....	2
11	109-6658	Nut, Nyloc 3/8-16 Flg .....	6
12	3296-39	Nut, 3/8-16 Nyloc .....	19
13	103-9792	Asm, Chain Deck .....	4
14	1-513208	Washer, Spring, Disk .....	1
15	302-40	Zerk .....	1
16	103-2802	Washer, Spring, Disk 3/4 .....	3
17	3219-6	Nut, 5/8-18 Hex .....	3
18+	103-9746	Asm, Jackshaft Housing W/Brgs .....	1
19+	103-2795	Sheave, Blade Drive .....	3
20	1-303334	Washer, 5/16 Spring, Disk .....	1
21	1-322110	Belt Guide Wldmt .....	1
22*	103-5693	Kit, Idler Arm (103-6528-01) W/Bearings .....	1
23	32128-20	Nut, 5/16-18 Whizlock .....	9
24	323-6	Screw, 3/8-16 x 1 .....	4
25	98-5975	Washer, 3/8 Spring, Disk .....	13
26	32128-37	Nut, 7/16-14 Whizlock .....	16
27	103-1898	Screw, 7/16-14 x 1-5/8 .....	8
28	1-633447	Chain .....	4
29	3217-11	Nut, 5/8-11 Hex .....	2
30	3253-8	Lockwasher, 5/8 Reg.Spring .....	2
31	1-633029	Spherical Rod End .....	2
32	327-11	Screw, 5/8-11 x 5 .....	2
33	109-1182	Strut Wldmt, Deck .....	2
34	1-632199-01	Pin Wldmt, Deck Strut .....	2
35	302-19	Zerk, 1/4-28 Straight .....	4
36	323-8	Screw, 3/8-16 x 1 1/2 .....	18
37	1-323417	Washer, Rubber .....	2
38	3256-3	Washer 5/16 Std Flat .....	4
39	1-303537	Stud, Belt Shield .....	2
40	109-7477	Asm, Deck (109-5855-01) W/Decals .....	1

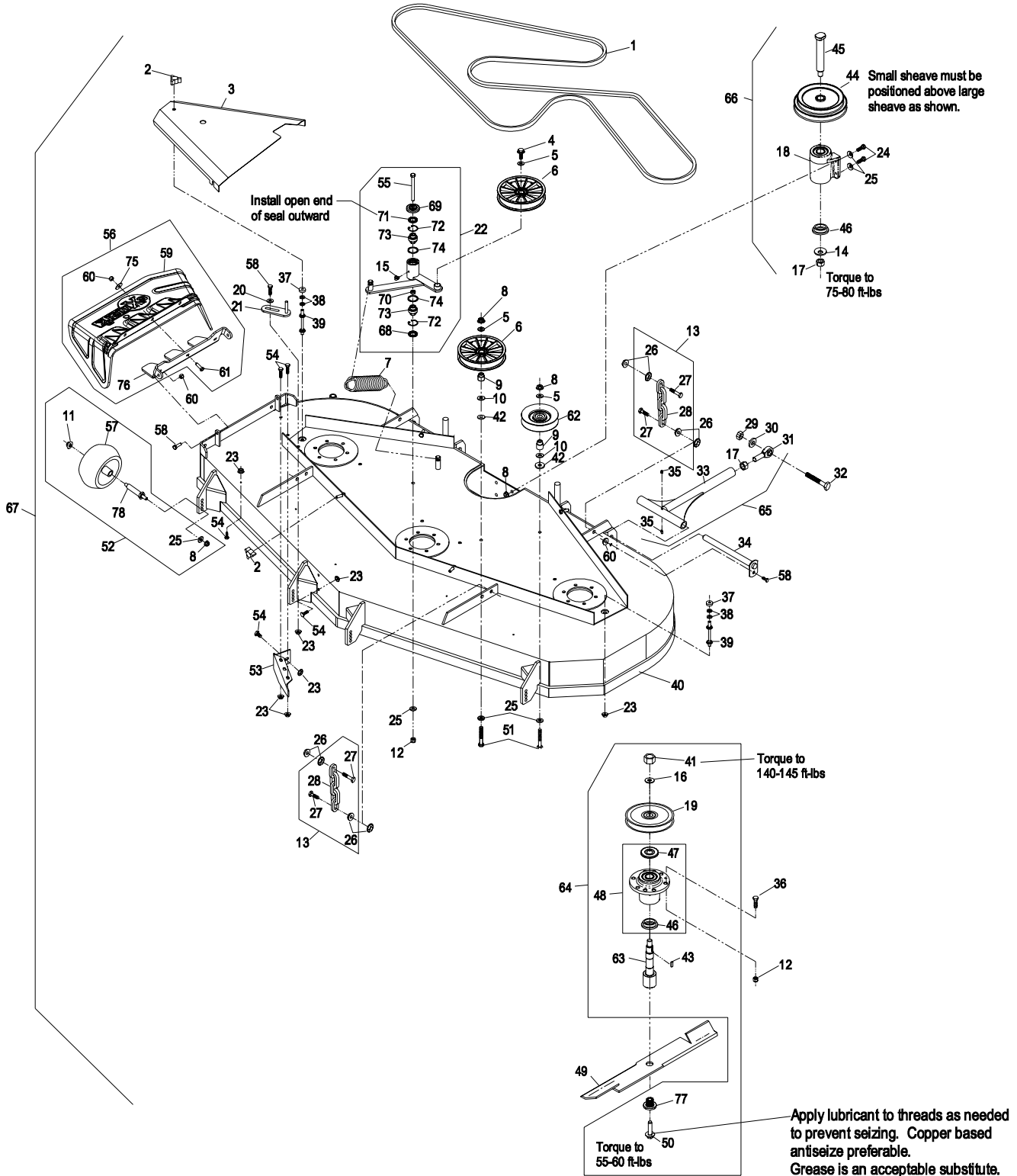
Item	Part No.	Description	Qty.
41	3217-46	Nut, HH 3/4-16 Heavy .....	3
42	1-373034	Washer .....	2
43	103-2982	Key, 1/4x3/16x3/4 .....	3
44+	103-3046	Sheave, Double .....	1
45+	1-643393	Jackshaft .....	1
46	103-2535	Spacer, Guard Bottom .....	4
47+	103-1330	Guard, Bearing Top .....	3
48+	103-8280	Housing W/Bearings .....	3
49	103-6404	Blade, Notched .....	3
◆	103-6394	Blade, Mulching .....	3
	103-6389	Blade, Low Lift .....	3
	103-6384	Blade, Solid .....	3
	103-6399	Blade, Extreme .....	3
50	109-5958	Screw, Hex Flange 1/2-20 .....	3
51	323-12	Screw, HH 3/8-16 x 2 1/2 .....	2
52	103-4051	Kit, Anti-scalp .....	6
53	1-602913-01	Baffle Wldmt, Discharge .....	1
54	322-2	Screw, 5/16-18 x 5/8 .....	5
55	98-5961	Screw, 3/8-16 x 4 Gr8 .....	1
56	109-2148	Asm, Discharge Chute .....	1
57	1-603299	Roller, Anti-Scalp .....	6
58	322-5	Screw, 5/16-18 x 1 .....	5
59	109-2738	Chute, Discharge .....	1
60	3296-29	Nut, 5/16-18 Nyloc .....	7
61	3230-22	Bolt, Carriage 5/16-18 x1 .....	3
62	1-603805	Idler Pulley 5.06 O.D. V .....	1
63+□	103-9086	Kit, Spindle .....	3
64	103-9074	Cutter Housing Complete .....	3
65	103-1083	Asm, Strut 72" Long .....	2
66	103-3249	Jackshaft Asm .....	1
67▲	103-3259	Complete Deck Asm .....	1
68	103-3505	Seal, Double, Lip .....	1
69	103-2916	Guard, Top .....	1
70	103-5677	Spacer .....	1
71	103-3506	Seal, Single Lip .....	1
72	32120-10	Ring, Retaining .....	2
73	103-3504	Bearing, Spherical .....	2
74	106-7159	O-ring .....	2
75	3256-82	Washer .....	3
76	109-0938-01	Hinge, Grass Discharge .....	1
77	103-3037	Bushing, Splined .....	3
78	99-2842	Spacer .....	6

Exmark red touch up spray paint - P/N 1-850337.

- ◆ Requires installation of Micro-Mulch accessory for proper mulching. Mulch kit P/N MK724.
- + Apply Mobil HTS grease (P/N 103-5217 1.5 oz packet) (or a food-grade antisieze) between the jackshaft and bearings, jackshaft and sheaves, spindles and bearings, spindles and sheaves, and under top bearing guard. DO NOT use a copper or nickel based antisieze.
- ▲ Complete deck assembly excludes items #26, #27, #28, and #65 and includes mule drive belt from page 16.
- ✘ Kit includes items #12 and #25.
- Kit includes items #16, #41, #43, #50 & #77.



# 72" DECK GROUP



## FRONT FRAME GROUP

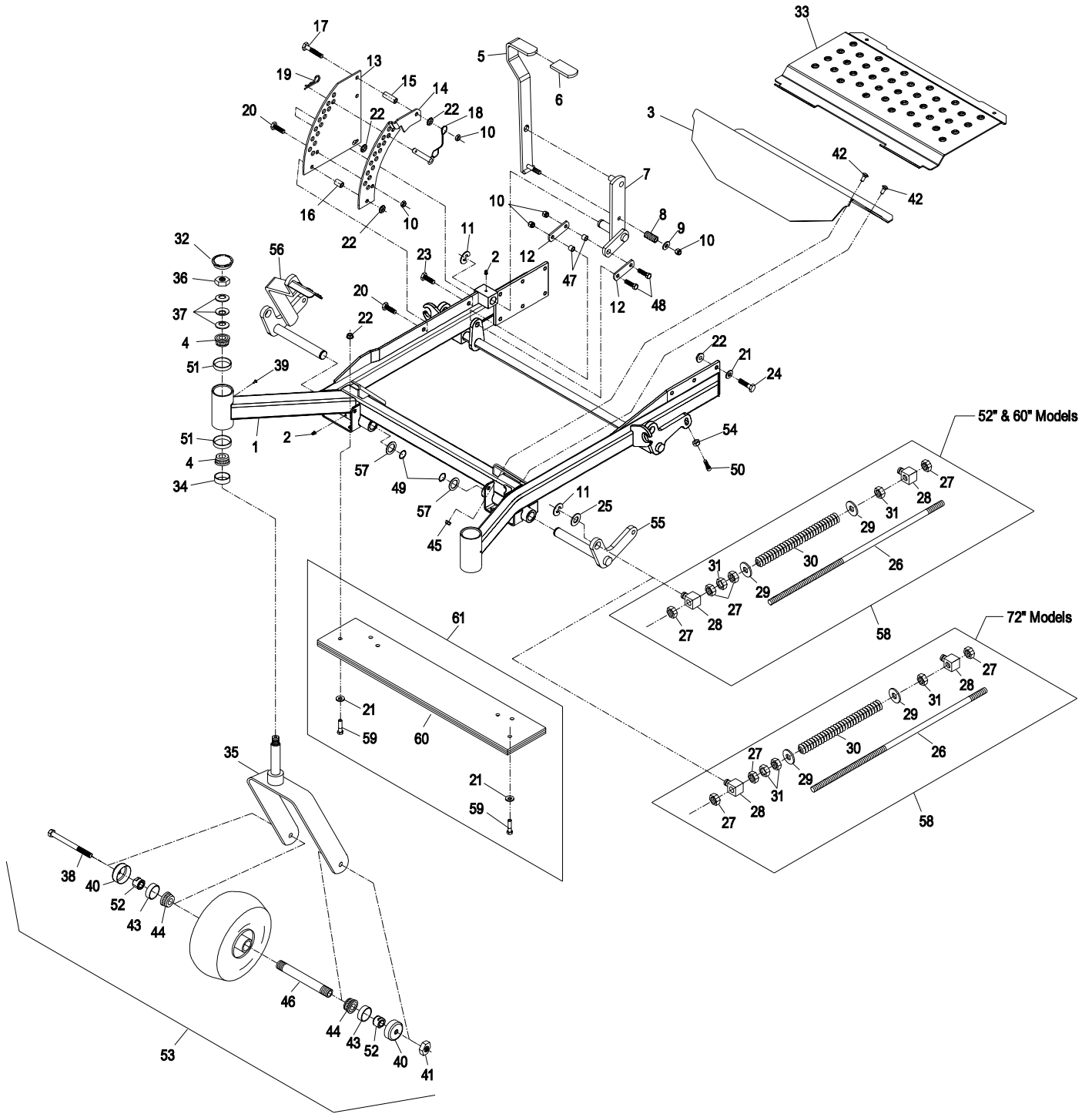
Item	Part No.	Description	Qty.
1▲	103-5473	Asm, Front Frame, 52" .....	1
▲	103-5474	Asm, Front Frame, 60" .....	1
▲	103-5475	Asm, Front Frame, 72" .....	1
2	302-19	Zerk, 1/4-28 Straight .....	5
3	109-1903	Asm, Front Floorpan W/Decals .....	1
4	1-543509	Cone, Bearing Tapered Roller .....	4
5	103-2084	Asm, Lever(103-2083-03)W/Grip .....	1
6	1-633295	Grip, Lift Lever .....	1
7	103-2064-03	Arm Wldmt, Deck Lift .....	1
8	1-633325	Spring, Compression.....	1
9	3256-24	Washer, 3/8 SAE Flat.....	1
10	3296-39	Nut, Nyloc 3/8-16 .....	5
11	32151-103	E-Ring.....	5
12	1-633068	Arm, Deck Lift .....	2
13	1-633889-01	Plate, Deck Lift.....	1
14	109-1900	Plate Wldmt, Deck Lift.....	1
15	1-633082	Bushing, Lift Lever .....	1
16	1-633080	Bushing, Lift Lever .....	1
17	323-13	Screw, 3/8-16 x 2 3/4 .....	1
18	1-633097	Hitch Pin W/Lanyard .....	1
19	1-806005	Hairpin Cotter.....	1
20	323-9	Screw, 3/8-16 x 1 3/4 .....	2
21	98-5975	Washer, 3/8 Disc Spring (60" & 72").....	12
	98-5975	Washer, 3/8 Disc Spring (52") .....	16
22	3290-357	Nut, Whizlock 3/8-16 (60" & 72") .....	15
	3290-357	Nut, Whizlock 3/8-16 (52").....	19
23	323-5	Screw, HH 3/8-16 X 7/8.....	1
24	323-7	Screw, 3/8-16x1 1/4 .....	12
25	3256-29	Washer, 7/8 SAE Flat.....	4
26	1-633096	Rod, Deck Lift .....	2
27	3217-11	Nut, 5/8-11 Regular.....	8
28	1-633441	Swivel, Deck Mount.....	4
29	3256-7	Washer, 5/8 Std Flat .....	4
30	1-633064	Spring, Deck Support.....	2
31	3218-6	Jam Nut, 5/8-11 .....	4
32	103-4882	Cap, Grease .....	2
33	109-1902	Asm, Liftout Floorpan W/Decals .....	1
34	1-543511	Seal, Grease.....	2

Item	Part No.	Description	Qty.
35	1-632511-01	Caster Wldmt (52" & 60") .....	2
	103-1474-01	Caster Wldmt (72") .....	2
36	3296-51	Nut, 3/4-10 Nyloc .....	2
37	1-633508	Washer, Spring Disk .....	6
38	325-36	Screw, 1/2-13 x 7 1/2 (52" & 60") .....	2
	325-39	Screw, 1/2-13 x 9 1/2 (72").....	2
39	1-811010	Plug .....	2
40	103-2768	Guard, Seal .....	4
41	3296-23	Nut, 1/2-13 Nyloc .....	2
42	3230-1	Bolt, Carriage 5/16-18 x 3/4 .....	4
43	103-0063	Seal, Bearing .....	4
44	1-633585	Bearing Cone.....	4
45	32128-20	Nut, Whizlock 5/16-18.....	4
46	103-3155	Axle, Caster .....	2
47	103-1918	Bushing .....	2
48	323-29	Screw, 3/8-16 x 1 3/8.....	2
49	32151-29	Ring, Retaining .....	2
50	3274-18	Screw, Socket HD5/16-18x1 1/4 .....	2
51	1-543508	Bearing Cup, Tapered Roller .....	4
52+	103-3051	Spacer, Nut.....	4
53	103-5189	Asm, Caster Wheel (Pneumatic) (52" & 60") .....	2
	1-633002	Tire, 13 x 5.0-6 4 Ply (Pneumatic) (52" & 60") .....	2
	103-5188	Asm, Caster Wheel (Pneumatic) (72") .....	2
	1-523009	Tire, 13 x 6.50-6 4 Ply (Pneumatic) (72") .....	2
	103-3785	Asm, Caster Wheel (Semi-Pneumatic) (52" & 60") .....	2
	103-3799	Asm, Caster Wheel (Semi-Pneumatic) (72").....	2
54	3218-2	Jam Nut, 5/16-18 .....	2
55	103-1955-01	Weldmt, Front Lift Shaft (LH) .....	1
56	103-2013-01	Weldmt, Front Lift Shaft (RH).....	1
57	1-523157	Washer, Spacer.....	2
58	1-634439	Asm, Deck Lift Spring (52" & 60").....	2
	103-2047	Asm, Deck Lift Spring (72").....	2
59	323-8	Screw, HH 3/8-16 x 1 1/2 (52").....	4
60	103-2099-01	Weight (52").....	1
61●□	103-8303	Kit, Front Weight (52").....	1

Exmark red touch up paint (spray paint - P/N 1-850337 - .6 oz liquid bottle - P/N 103-9140).

- +
  - ▲
  - 
  -
- Use Pro-Lock, Nut Type (P/N 1-840022, .5ml tube) on spacer nut, Item #52.  
 Includes frame weldment plus items #2, #32, #34, #39, #49, #51, #55, #56, and #57.  
 Includes item #22 (4).  
 For units with Serial Numbers 722,173 & Higher.

# FRONT FRAME GROUP



## MAINFRAME GROUP

Item	Part No.	Description	Qty.
1	1-643255	Track, Seat (4" Adjustable).....	1
	103-8386	Spring, Seat Rail .....	1
2●	103-3524	Seat .....	1
3	1-543401	Spacer, Seat Track .....	2
4	322-3	Screw, 5/16-18 x 3/4 .....	6
5	103-3521	Cushion, Seat .....	1
6	103-3520	Cushion, Backrest.....	1
7	103-0292	Cushion, Armrest (RH).....	1
8*	103-0291	Cushion Armrest (LH) .....	1
9	1-633859	Seat Frame .....	1
10	3256-3	Washer, 5/16 Std Flat .....	2
11	109-6672	Asm, Frame (109-6128-03) W/Decals ....	1
12	1-653010	Wheel/Tire Asm (52").....	2
	1-653160	Tire, 23x9.50-12 4 Ply (52").....	2
	1-653158	Wheel (52").....	2
	109-8972	Wheel/Tire Asm (60" & 72").....	2
	1-633993	Tire, 24x12-12 4 Ply (60" & 72") .....	2
	109-3156	Wheel (60" & 72").....	2
13	109-4325	Asm, Console (109-8139-03) W/Decals .	1
14	103-4423	Asm, Seat Frame .....	1
15	242-50	Nut, Wheel 1/2-20 .....	8
16	1-633293	Rod, Seat Hold-Up.....	1
17	322-5	Screw, 5/16-18 x 1 .....	1
18	323-39	Screw, 3/8-16 x 5 .....	2
19	3296-2	Nut, Nyloc #10-24 .....	2
20	3296-29	Nut, Nyloc 5/16-18 .....	3
21	3296-39	Nut, Nyloc 3/8-16 .....	3
22	3290-357	Nut, Whizlock 3/8-16.....	10
23	32128-20	Nut, Whizlock 5/16-18 .....	8
24	323-20	Screw, 3/8-16 x 3-1/4 .....	1
25	3256-24	Washer, 3/8 SAE Flat.....	1

Item	Part No.	Description	Qty.
26	110-0883	Kit, Seat Belt.....	1
27	107-3083	Latch, Seat .....	1
28	322-4	Screw, 5/16-18 x 7/8 .....	2
29	1-513658	Bumper.....	2
30	3256-23	Washer, 5/16 SAE Flat .....	6
31	103-4434	Grip .....	1
32	323-6	Screw, 3/8-16 x 1.....	2
33	1-633964-03	Stop, Park Brake.....	1
34	109-8140	Cable, Throttle .....	1
35	103-8383	Bolt, Seat Cushion .....	11
36	1-513762	Clip, Loom .....	1
37	32128-33	Nut, Whizlock 1/4-20.....	1
38	3212-4	Screw, 7/16-20 x 1.00.....	2
39	3296-7	Nut, Nyloc 7/16-20 .....	2
40◆	103-8436	Kit, ROPS LZ .....	1
41	107-0075	Bushing .....	1
42	107-0076	Spring.....	1
43	107-3058	Catch, Seat Latch .....	1
44	110-5720	Cable, Choke.....	1
45	107-3155	Cotter, Hair Pin Double Loop .....	2
46	32128-23	Nut, Hex Flange Side Lock 1/2-13 .....	2
47	3296-73	Nut, Nyloc 1/4-20 (black) .....	2
48	1-807513	Screw, #10-24 x 1/2.....	2
49■	103-4553	Asm, ROPS Fold Pin .....	2
50	323-6	Screw, Hex Cap 3/8 x 1 .....	8
51	109-2365	Bumper.....	2
52	98-5975	Washer, Spring Disk 3/8 .....	8
53	321-6	Screw, 1/4-20 x 1 .....	1
54	1-303335	Plastic Tie (Large).....	1
55	325-13	Screw, 1/2-13 x 3 1/4.....	2

Exmark black touch up spray paint - gloss black.

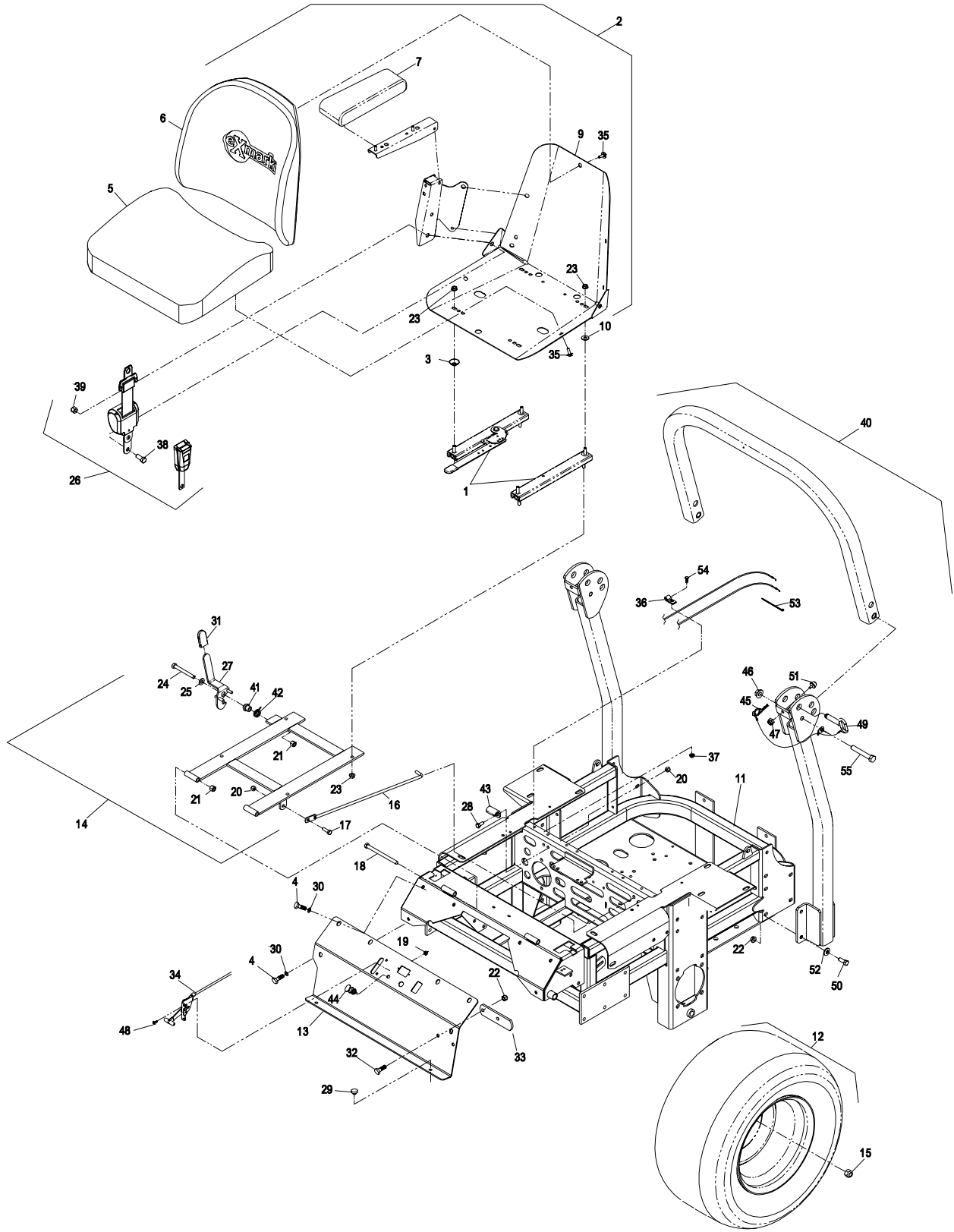
● Includes armrests and seat back decal. Does not include seat belt or tracks.

\* Not illustrated.

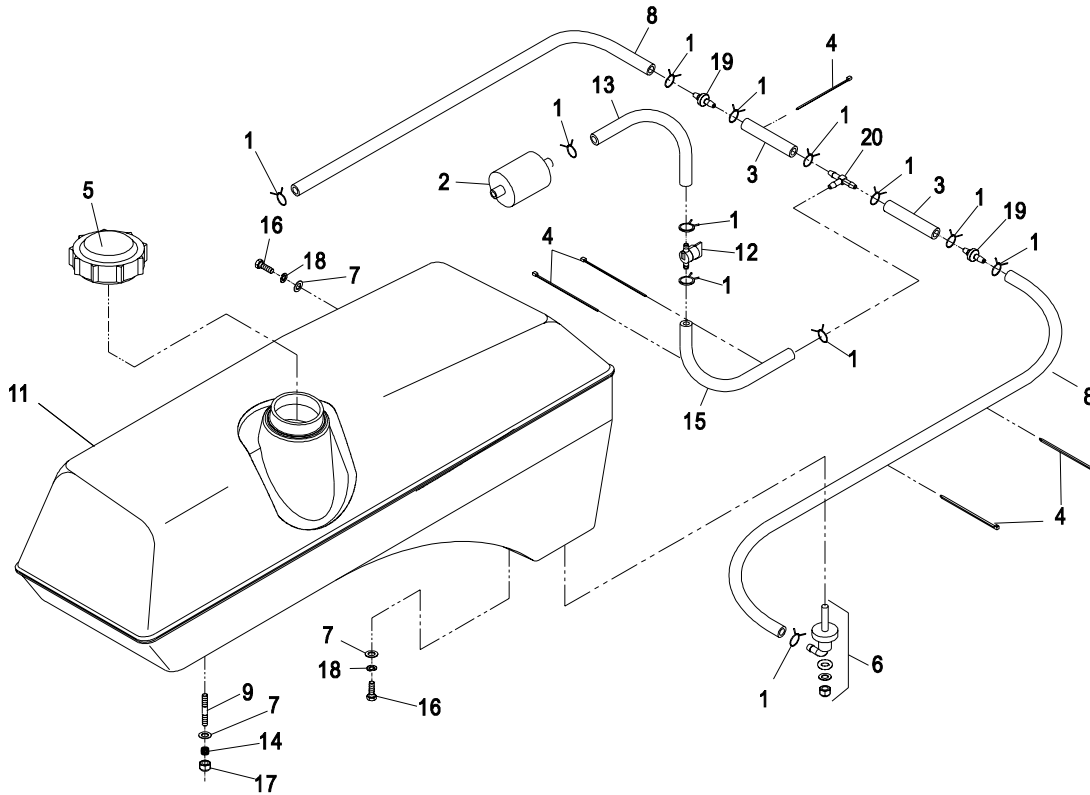
■ Includes ROPS fold pin plus hairpin, item #45.

◆ Rollover protection frame is serviced as a complete assembly only. Includes complete ROPS frame, mounting hardware, fold pivot and locking hardware, seat frame assembly item #14, catch item #43, and seat belt assembly item #26.

# MAINFRAME GROUP



# FUEL GROUP

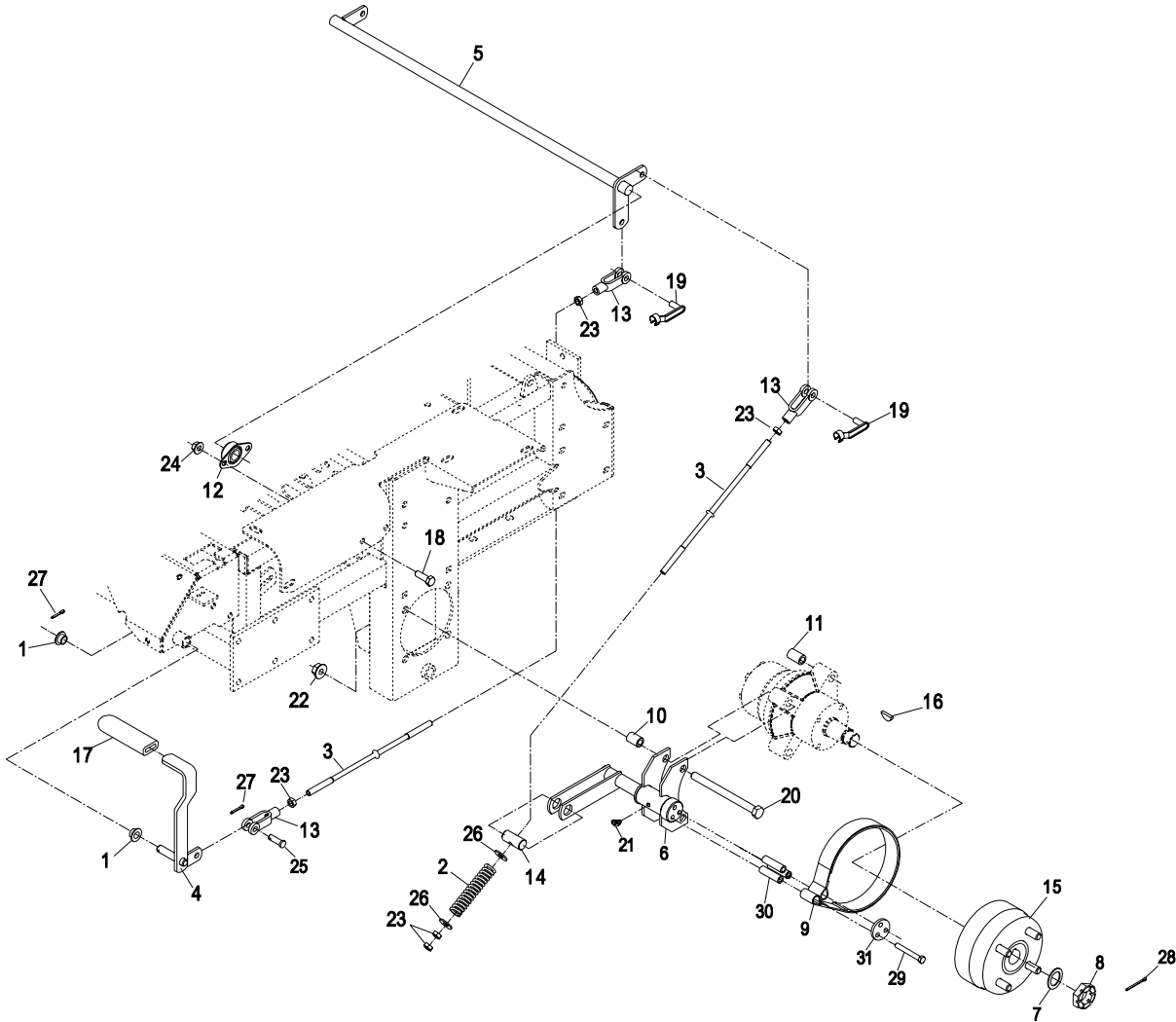


Item	Part No.	Description	Qty.
1	1-303077	Clamp, Fuel Line.....	12
2+	<b>Kohler</b>	Part No. 2405010 Fuel Filter .....	1
	<b>Kawasaki</b>	Part No. 49019-7001 Fuel Filter .....	1
3	103-0304	Hose, Fuel Line 2 1/2".....	2
4	1-303335	Plastic Tie (Large).....	5
5	109-0346	Cap, Fuel Tank .....	2
6●	103-2605	Fitting, Fuel Bikhd W/Screen .....	2
	103-2784	O-Ring .....	2
7	3256-23	Washer, 5/16 SAE.....	10
8	108-4582	Hose, Fuel Line 21".....	2
9◆	1-633023	Stud, Fuel Tank.....	6
10□*	103-2132	Asm, Tank Fuel (LH).....	1

Item	Part No.	Description	Qty.
11*	103-2133	Asm, Tank Fuel (RH).....	1
12	1-603770	Valve, Fuel.....	1
13	109-0660	Hose, Fuel Line 3 1/2" (Kohler).....	1
	109-0293	Hose, Fuel Line 8 1/2" (Kawasaki).....	1
14	1-633349	Spring, Fuel Tank .....	6
15	109-0281	Hose, Fuel Line 26" .....	1
16	322-3	Screw, 5/16-18 x 3/4 .....	4
17	3296-47	Nut, Thin Nyloc 5/16-18 .....	6
18	1-805005	Washer, Lock 5/16.....	4
19	99-5000	Valve, Fuel Check.....	2
20	99-5005	Fitting, Barbed Tee .....	1

- + Refer to Engine Owner's Manual (Fuel Filter **Must** be 15 Micron or smaller).
- Use Pro-lock, Nut type (Part No. 1-840022), .5ml tube on fuel fitting threads.
- ◆ Use Pro-lock, Retaining Type (Part No. 1-840023), .5cc tube on stud threads going into the tank.
- \* Includes tank, cap, fitting & studs.
- Not illustrated.

# PARK BRAKE GROUP



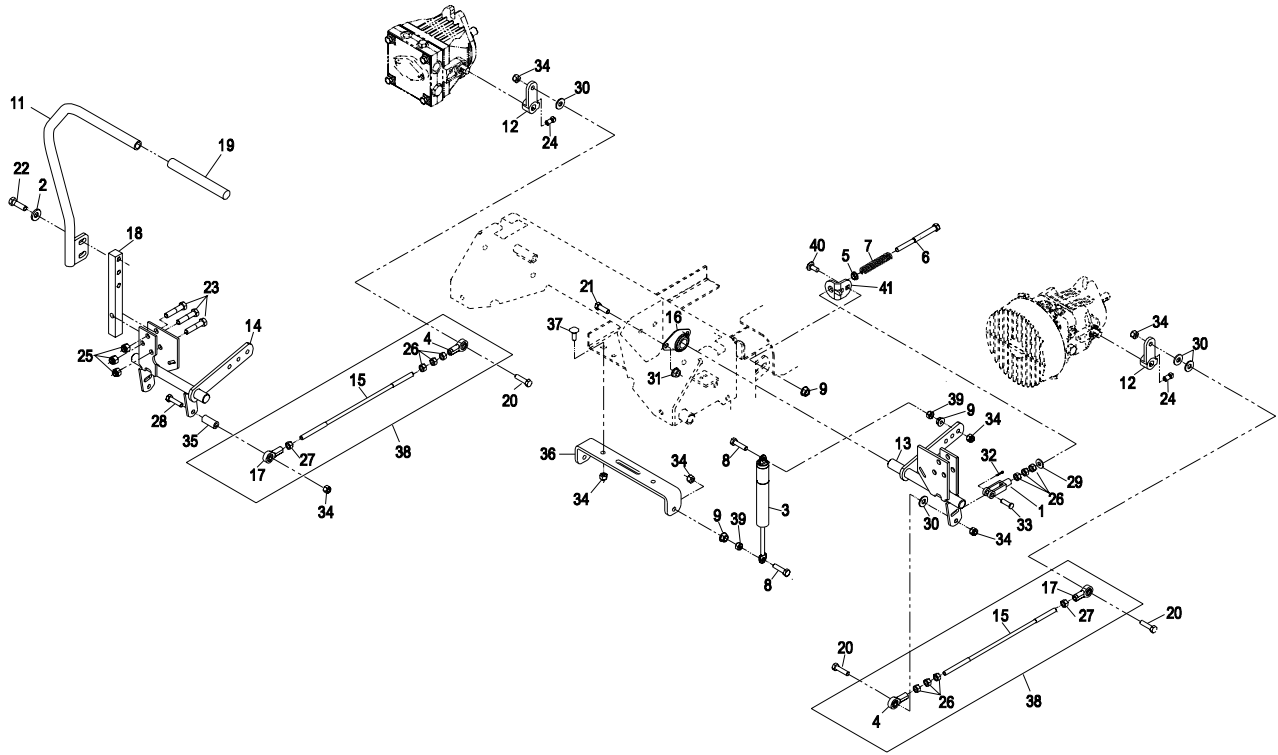
Item	Part No.	Description	Qty.
1	1-513140	Bushing.....	2
2	1-633454	Spring, Brake Rod.....	2
3	1-633477	Rod, Brake.....	3
4	1-634500	Lever (1-632489-03)W/Grip .....	1
5	1-632217-03	Shaft, Brake .....	1
6	103-0352-03	Bracket, Brake (52" & 60").....	2
	103-0354-03	Bracket, Brake (72").....	2
7	1-523157	Washer, Spacer .....	2
8	1-809036	Nut, Slotted 1.00-20 .....	2
9	103-9761	Band, Brake .....	2
10	1-633380	Spacer (Short) (52" & 60").....	4
	109-5011	Spacer (Short) (72") .....	4
11	1-633382	Spacer (Long) (52" & 60") .....	4
	109-5012	Spacer (Long) (72").....	4
12	1-633102	Bearing, Flange.....	2
13	1-633131	Yoke .....	4
14	1-633144	Pin, Trunion .....	2
15	103-0590	Hub & Drum W/Studs, Wheel.....	2
*	1-633926	Studs, Wheel .....	8

Item	Part No.	Description	Qty.
16	3257-42	Key, Woodruff 5/16 x 1 .....	2
17	1-633268	Grip, Brake Lever.....	1
18	323-4	Screw, 3/8-16 x 3/4 .....	4
19	103-2399	Pin, Clevis Spring 3/8.....	3
20	325-17	Screw, 1/2-13 x 4 (52" & 60").....	8
	325-20	Screw, 1/2-13 x 6 (72") .....	8
21	1-603991	Zerk, 1/4-28 Straight .....	2
22	32128-49	Nut, Whizlock 1/2-13 UNC-2B.....	8
23	3219-3	Nut, 3/8-24.....	8
24	3290-357	Nut, Whizlock 3/8-16.....	4
25	1-808285	Pin, Clevis 3/8 x 1 1/4 .....	1
26	3256-4	Washer, 3/8 Std.....	4
27	3272-10	Pin, Cotter 1/8 x 3/4 .....	2
28	1-806800	Pin, Cotter 9/64 x 1 1/2 .....	2
29	322-9	Screw, 5/16-18 x 1 3/4 .....	6
30	103-0384	Spacer .....	6
31	103-0374	Retainer, Brake Band.....	2

Exmark black touch up spray paint - gloss black.

\* Not Illustrated.

# MOTION CONTROL GROUP



Item	Part No.	Description	Qty.
1	1-303105	Yoke .....	2
2	98-5975	Washer, Disc Spring 3/8.....	4
3	109-2339	Damper.....	2
4	1-543017	Ball Joint (RH).....	2
5	109-3769	Bushing, Nylon (Reverse Ind).....	2
6	1-603737	Bolt, (Neutral Return).....	2
7	1-603807	Spring, (Neutral Return).....	2
8	1-403180	Screw, 5/16-18x1 3/8 Sp.....	4
9	32128-20	Nut, Whizlock 5/16-18.....	6
10*	103-3457	Handle (103-3326-03) W/Grip (LH) .....	1
11	103-3458	Handle (103-3327-03) W/Grip (RH).....	1
12	1-632208	Arm, Pump Control.....	2
13	109-3902	Bracket, Motion Control (LH).....	1
14	109-3901	Bracket, Motion Control (RH).....	1
15	103-3064	Link, Tracking Rod.....	2
16	1-633102	Bearing, Flanged.....	4
17	1-633152	Ball Joint (LH) .....	2
18	103-0407	Arm, Control Shaft.....	2
19	103-3456	Grip, Motion Control Handle.....	2
20	322-6	Screw, 5/16-18 x 1 1/4 .....	3
21	323-4	Screw, 3/8-16 x 3/4 .....	8

Item	Part No.	Description	Qty.
22	323-7	Screw, 3/8-16 x 1 1/4 .....	4
23	323-9	Screw, 3/8-16 x 1 3/4 .....	6
24+	1-803022	Set Screw, 5/16 x 5/8.....	2
25	3296-39	Nut, Nyloc 3/8-16.....	6
26	3219-2	Nut, 5/16-24.....	12
27	1-804524	Nut, 5/16-24 (LH).....	2
28	322-12	Screw, HH 5/16-18 x 2 1/2.....	1
29	3256-2	Washer, 1/4 .....	2
30	3256-3	Washer, 5/16 Std.....	4
31	3290-357	Nut, Whizlock 3/8-16.....	8
32	3272-5	Pin, Cotter 3/32 x 1/2.....	2
33	1-808280	Pin, Clevis 5/16 x 1 .....	2
34	3296-29	Nut, Nyloc 5/16-18.....	10
35	103-0384	Spacer.....	1
36	109-6058-03	Bracket, Damper Mount.....	1
37	3230-2	Bolt, Carriage 5/16-18 x 1 .....	2
38	103-4331	Asm, Tracking Rod.....	2
39	3217-6	Nut, Hex 5/16-18.....	4
40	3230-23	Bolt, Carriage 5/16-18 x 3/4, short neck .....	2
41	109-3908	Tab, Adjustment.....	2

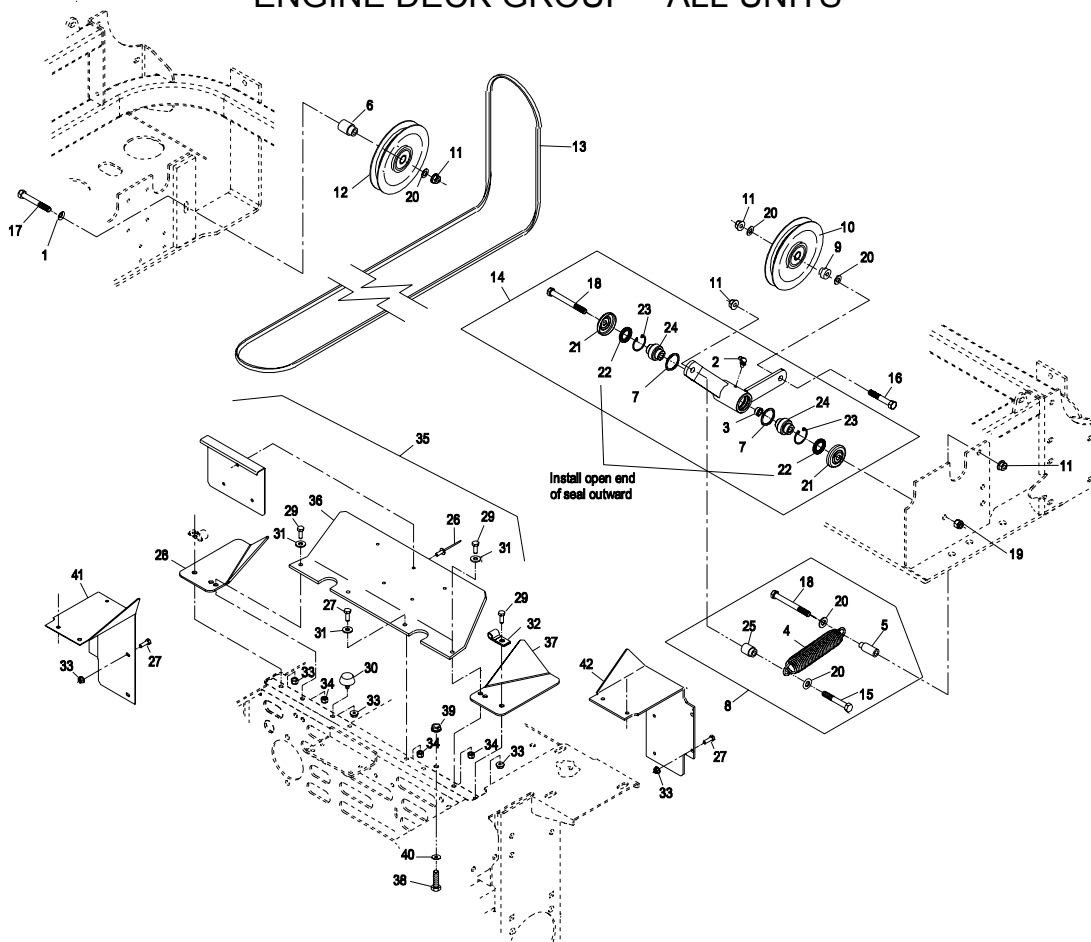
Exmark black touch up spray paint - gloss black.

\* Not Illustrated.

+ Use Pro-lock, Nut type (Part No. 1-840022), .5ml tube on setscrews.



# ENGINE DECK GROUP – ALL UNITS



Item	Part No.	Description	Qty.
1	98-5975	Washer, Spring Disc 3/8.....	1
2	302-40	Zerk, 1/4-20 (90°).....	1
3	103-5677	Spacer.....	1
4	103-8599	Spring.....	1
5	109-3141	Spacer, Spring Mount.....	1
6	103-2627	Bushing, Idler.....	1
7	106-7159	O-ring.....	2
8■	109-3766	Kit, Mule Idler Spring.....	1
9	1-603496	Bushing, Idler.....	1
10	1-603805	Pulley, Idler.....	1
11	3290-357	Nut, Whizlock 3/8-16.....	4
12	1-633166	Pulley, Idler.....	1
13	103-4014	Belt, Mule Drive.....	1
14*	103-5695	Kit, Idler Arm (103-4593-03) W/Brgs.....	1
15	323-10	Screw, 3/8-16 x 2.....	1
16	323-9	Screw, 3/8-16 x 1 3/4.....	1
17	323-13	Screw, 3/8-16 x 2 3/4.....	1
18	1-800805	Screw, 3/8-16 x 3 1/2 Gr8.....	2
19	3296-39	Nut, Nyloc 3/8.....	1
20	3256-24	Washer, 3/8 SAE.....	5
21	103-2916	Guard, Top.....	2
22	103-3506	Seal, Single Lip.....	2
23	32120-10	Ring, Retaining.....	2

Item	Part No.	Description	Qty.
24	103-3504	Bearing, Spherical.....	2
25	1-633456	Bushing, Idler.....	1
26	1-803035	Rivet, 3/16 x 1/4.....	5
27	321-4	Screw, 1/4-20 x 3/4 (Kohler).....	2
	321-4	Screw, 1/4-20 x 3/4 (Kawasaki).....	6
28	103-6619-03	Support, Front Cover RH (Kohler).....	1
29	321-6	Screw 1/4-20 x 1.....	4
30	109-2365	Bumper, Rubber.....	2
31	3256-2	Washer, 1/4 STD.....	4
32	1-633396	Clip, Loom .56.....	1
33	32128-33	Nut, Whizlock 1/4-20 (Kohler).....	4
	32128-33	Nut, Whizlock 1/4-20 (Kawasaki).....	8
34	3296-42	Nut, Nyloc 1/4-20.....	6
35	1-644276	Asm, Shield W/Decals (Kohler).....	1
	103-3341	Asm, Shield W/Decals (Kawasaki).....	1
36	103-1308	Shield, Engine.....	1
37	103-6620-03	Support, Front Cover (LH) (Kohler).....	1
38	323-9	Screw, HH 3/8-16 x 1 3/4.....	4
39	3290-357	Nut, Whizlock 3/8-16.....	4
40	98-5975	Washer, Spring Disc 3/8.....	4
41	1-633794-03	Baffle, Engine Shield RH (Kawasaki).....	1
42	1-633795-03	Baffle, Engine Shield LH (Kawasaki).....	1

Exmark black touch up spray paint - gloss black.

\* Kit also includes item #19.

■ Kit includes items shown and (2) whizlock nuts item #11

## ENGINE DECK GROUP – (cont.)

Item	Part No.	Description	Qty.
1	1-603610	Washer, 7/16 Spring Disc.....	2
2	109-7712-03	Guard, Clutch.....	1
3	109-7665	Kit Clutch (Kohler).....	1
4	1-303334	Washer, 5/16 Spring Disc.....	1
5	322-5	Screw, 5/16-18 x 1 .....	1
6	109-7083-03	Anchor, Clutch .....	1
7	109-7666	Kit Clutch (Kawasaki).....	1
8▲	3212-6	Screw, 7/16-20 x 1 1/2 .....	1
9	322-3	Screw, HH 5/16-18 x 3/4 .....	4
10	103-0152	Keeper, Clutch (Kawasaki).....	1
11	109-7713-03	Guard, Muffler (Kawasaki).....	1
12	1-633179	Spacer .....	1
13	3290-357	Nut, Whizlock 3/8-16 .....	4
14	323-6	Screw, HH 3/8-16 x 1 .....	4
15	32128-20	Nut, Whizlock 5/16-18 (Kohler).....	1
	32128-20	Nut, Whizlock 5/16-18 (Kawasaki).....	5

Item	Part No.	Description	Qty.
16+	109-2987	Asm, Oil Drain Tube W/Plug (Kohler).....	1
17	109-1012	Plug, Oil Drain .....	1
18	321-4	Screw, 1/4-20x 3/4 .....	1
19	32128-33	Nut, Whizlock 1/4-20.....	1
20	103-3535	Kit, Cable Heat Shield (Kohler) .....	1
21	109-4490	Asm, Oil Drain Tube W/Plug (Kawasaki)..	1
22	109-8119-03	Guard, Muffler (Kohler) .....	1
23	1-653291	Gasket (Kohler).....	2
24	1-805005	Washer, Lock 5/16 Hvy.....	4
25	33014-00	Nut, Hex M8 1.25.....	4
26	3253-6	Washer, Lock 7/16.....	2
27	324-2	Screw, 7/16-14x.75 G5 .....	2
28*	103-7480	Kit, Muffler (Kohler).....	1
29▲	3212-10	Screw, HH 7/16-20 x 2 1/2.....	1

Exmark black touch up spray paint - gloss black.

✚ Use a Teflon Pipe Sealant or equivalent on threads.

▲ Use Pro-Lock, Nut Type (P/N 1-840022, .5ml tube) on clutch bolt.

\* Includes items #20 & #23.

### Kawasaki Replacement Parts List

(Refer to Engine Owner's Manual)

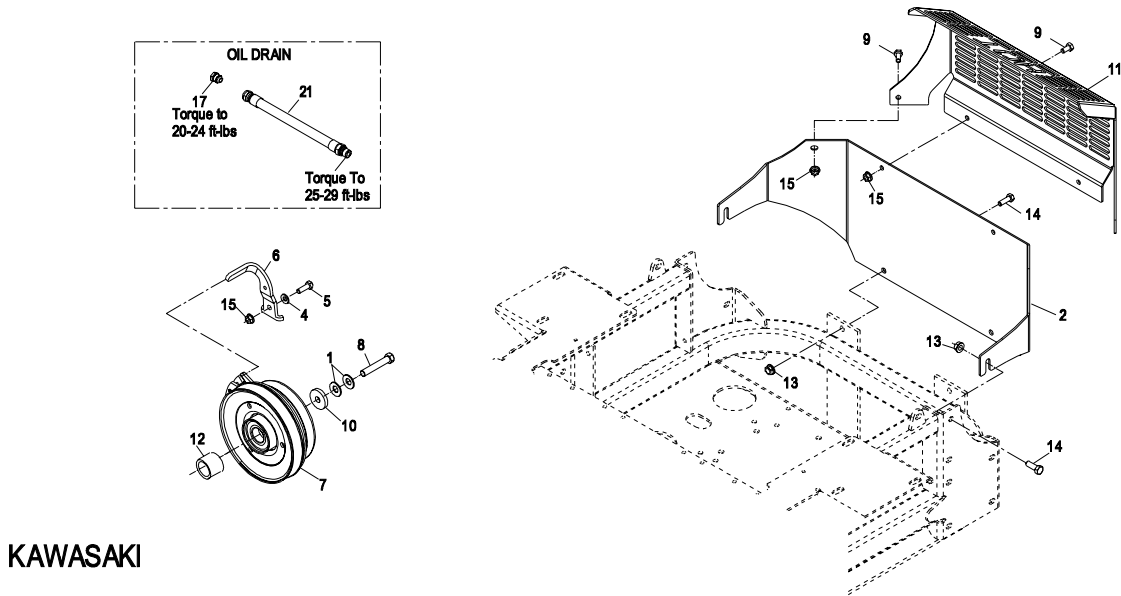
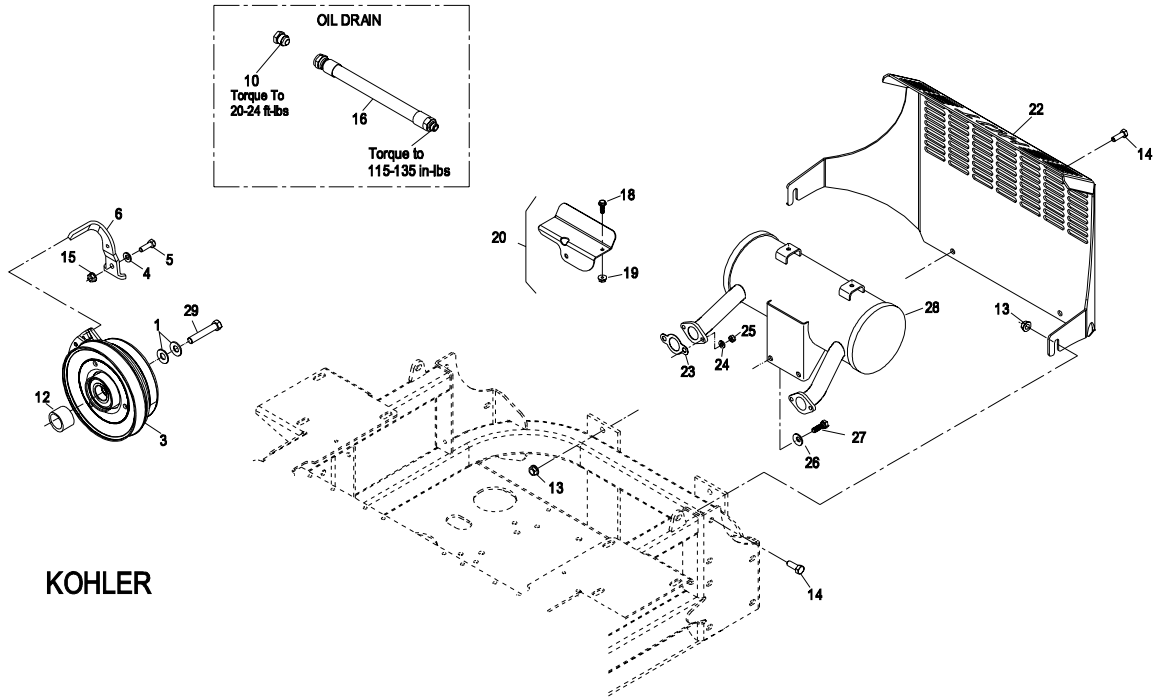
<u>Description</u>	<u>Kawasaki Part</u>
Engine Oil Filter .....	49065-2078
Engine Air Filter .....	11013-7020
Safety Filter.....	11013-7019

### Kohler Replacement Parts List

(Refer to Engine Owner's Manual)

<u>Description</u>	<u>Kohler Part</u>
Engine Oil Filter .....	5205002
Engine Air Filter .....	2508301
Safety Filter.....	2508304

# ENGINE DECK GROUP (cont.)



## HYDRAULIC GROUP

Item	Part No.	Description	Qty.
1	103-1947	Asm, Reservoir W/Decal .....	1
2	103-7615	Asm Cap W/Gasket.....	1
3	103-1949	Gasket, Reservoir Cap.....	1
4	104-7836	Head, Filter .....	1
5	109-4180	Element, Hydraulic Oil Filter.....	1
▲	1-523541	Element, Hydraulic Filter (Winter).....	1
6	103-1988	Clamp, Hose .....	1
7	105-7699	Strip, Vinyl Seal.....	1
8	109-6273	Asm, Hose Hydraulic.....	1
	1-603921	Boss O-Ring .....	1
9	32120-10	Ring, Retaining .....	2
10	109-7689	Hose, Hydraulic.....	1
	1-603921	O-Ring, SAE #6 .....	1
11	103-1806	Asm, Hose Hydraulic.....	1
12	103-1716	Clamp, Hose .....	3
13	103-3506	Seal, Single Lip.....	2
14	103-1807	Fitting, 45°.....	1
	1-603921	Boss O-Ring .....	1
15	103-1801	Adapter, Straight .....	1
	1-603921	Boss O-Ring .....	1
16	103-1799	Elbow,90°.....	2
	1-603921	Boss O-Ring .....	1
17	321-3	Screw, 1/4-20 x 5/8 .....	2
18	1-805004	Lockwasher, 1/4.....	2
19	103-2156	Adapter, Straight .....	2
	1-603921	Boss O-Ring .....	1
	103-1020	O-Ring (37° Flare #6).....	1
20	109-6130	Pump, Hydraulic.....	1
	103-7441	Kit, Input Bearing .....	1
	103-8448	Kit, Thrust Bearing .....	1
	103-7443	Kit, Cylinder Block.....	1
	105-6184	Kit, Overhaul Seal.....	1
	103-7488	Fan .....	1
	103-7489	Guard, Fan.....	1
	103-2672	Kit, Shock Valve (200 Bar, no orifice).....	1
	112-4155	Kit, Shock Valve (200 Bar, .031 orifice) ..	1
21	1-603990	Connector, Straight .....	4
	1-603920	O-Ring (SAE #8).....	1
	1-603992	O-Ring (37° Flare #8).....	1
22	103-5333	Motor, Wheel Drive .....	2
	109-5966	Kit, Seal .....	1

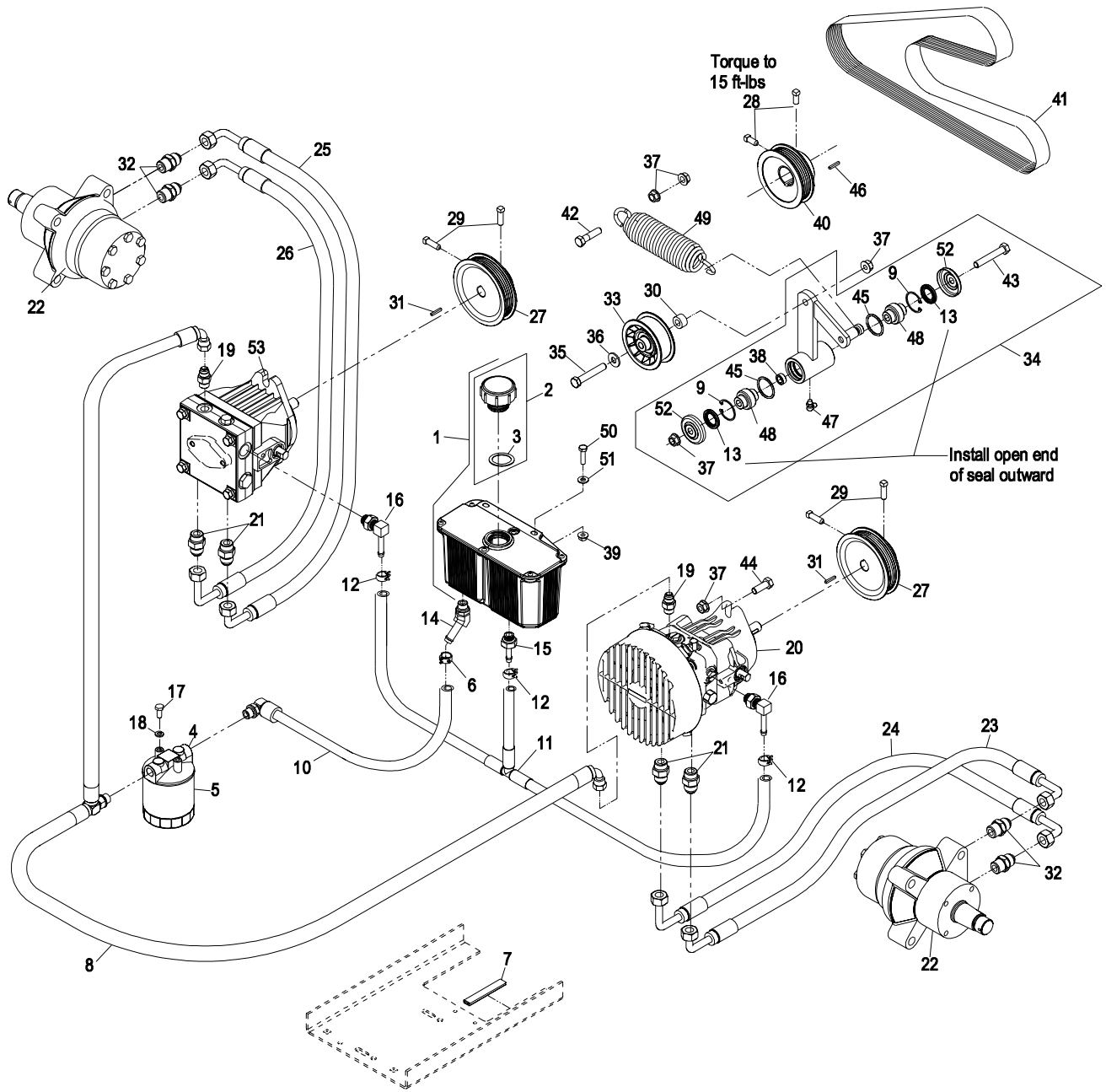
Item	Part No.	Description	Qty.
23	103-3733	Hose, Upper LH.....	1
24	103-3735	Hose, Lower LH.....	1
25	103-3736	Hose, Upper RH .....	1
26	103-3737	Hose, Lower RH .....	1
27	109-6046	Sheave, Pump .....	2
28+	1-803050	Setscrew, Sq Hd 5/16-18 x 3/4.....	2
29+	30-1710	Setscrew, Sq Hd Cup 5/16-18 x 1 .....	4
30	1-603050	Spacer .....	1
31	5-1077	Key, Machine 3/16 SQ x 1 .....	2
32	1-603991	Adapter, Straight .....	4
	1-603919	Boss O-Ring .....	1
	1-603992	O-Ring (37° Flare #8).....	1
33	109-4076	Idler Flat W/Hub.....	1
34	103-5694	Kit, Idler Arm (103-4595-03) W/Bearings.....	1
35	323-11	Screw, HH 3/8-16 x 2 1/4.....	1
36	3256-4	Washer, Flat Std 3/8 .....	1
37	3290-357	Nut, Whizlock 3/8-16.....	8
38	103-5677	Spacer .....	1
39	32128-33	Nut, Whizlock 1/4-20.....	2
40	109-7738	Sheave, Engine .....	1
41	109-6112	Belt, Pump Drive.....	1
42	323-8	Screw, 3/8-16 x 1 1/2 .....	1
43	1-800805	Screw, 3/8-16 x 3 1/2 Gr8 .....	1
44	323-7	Screw, 3/8-16 x 1 1/4 .....	4
45	106-7159	O-ring .....	2
46	13-2840	Key, 1/4 x 1/4 x 1 1/4 .....	1
47	302-40	Zerk, 90° 1/4-28.....	1
48	103-3504	Bearing, Spherical .....	2
49	103-3330	Spring, Extension.....	1
50	321-6	Screw, HH 1/4-20 x 1.....	2
51	3256-22	Washer, SAE 1/4 .....	2
52	103-2916	Guard, Top .....	2
53	103-7262	Pump, Hydraulic .....	1
	103-7441	Kit, Input Bearing .....	1
	94-6922	Kit, Thrust Bearing .....	1
	103-7443	Kit, Cylinder Block.....	1
	105-6184	Kit, Overhaul Seal.....	1
	103-2741	Kit, Shock Valve 10A/10L.....	1

Exmark black touch up spray paint - gloss black.

✚ Use Pro-Lock, Nut Type (P/N 1-840022, 5 ml tube) on setscrews.

▲ Use only for operation below 32°F (0°C).

# HYDRAULIC GROUP



## DECAL GROUP

Item	Part No.	Description	Qty.
1	109-8482	Decal, Console.....	1
2	107-2112	Decal, Warning Slope .....	1
3	103-6319	Decal, Check Service.....	1
4	1-643222	Decal, Belt Routing .....	1
5	1-633706	Decal, Deck Height .....	1
6	1-643339	Decal, Pump Belt Rtg.....	1
7	103-3270	Decal, 3750 RPM.....	1
8	103-3999	Decal, Exmark Logo (Console).....	1
9	1-513742	Decal, No Step.....	2
10	1-303508	Decal, Discharge Warning.....	1
11	1-513748	Decal, Guard.....	1
12	98-5954	Decal, Missing Cover .....	2
13	109-3148	Decal, Bolt Torque .....	1
14	109-0737	Decal, Console.....	1

Item	Part No.	Description	Qty.
15	103-3113	Decal, Lazer Model.....	1
16	109-7949	Decal, Wheel Hub.....	2
17	1-633462	Decal, Important .....	1
18	103-1146	Decal, Ultracut 60 .....	1
19	103-5881	Decal, Rotating Devices.....	1
20	103-9256	Decal, Console Top .....	1
21	1-523552	Decal, Hyd Tank/Hot Surface.....	1
22	107-2102	Decal, Rops Folding.....	1
23	1-633922	Decal, Anti-Scalp .....	1
24	103-2882	Decal, Exmark Logo.....	1
25	1-403005	Decal, Danger.....	2
26	103-1145	Decal, Ultracut 52 .....	1
27	103-1147	Decal, Ultracut 72 .....	1
	103-5472	Decal Kit	

# DECAL GROUP

1

**RELEASE**  
PARK BRAKE  
ENGAGE

**WARNING**

To avoid serious injury or death:

- Read and understand the operator's manual before using this machine.
- Do NOT operate unless trained to safely use this machine.
- Do NOT operate under the influence of alcohol or drugs.
- Do NOT operate without shields, guards, and safety devices in place and working.
- Check the function of the operator presence controls (OPC) safety system daily. Do NOT defeat the OPC system.
- Stop the engine and remove key before adjusting, servicing, or cleaning machine and attachments.
- Hearing protection is recommended.

PTO  
Engage and disengage at 12 In/rev...

IGNITION  
OFF  
ON  
START

**IMPORTANT:** Before starting engine, clean grass from pump drive belt compartment. Check more often in dry conditions.

103-2462

2

**WARNING**

- Operating on wet grass or steep slopes can cause sliding and loss of control.
- Wheels dropping over edges can cause roll-overs, which may result in serious injury, death or drowning.
- To avoid loss of control and possibility of roll-over:
  - Do NOT operate near ditches or near water.
  - Do NOT operate on slopes greater than 15°.
  - Reduce speed and use extreme caution on slopes.
  - Avoid sudden turns or rapid speed changes.
- There is no roll over protection when the roll bar is down.
- Always keep roll bar in the raised and locked position and use seat belt.
- Read and follow roll-over protection instructions and warning.

Greater than 15°

103-2462

3

**CHECK/SERVICE REFERENCE AID**

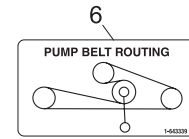
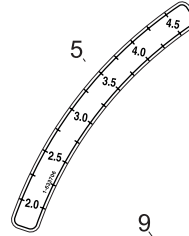
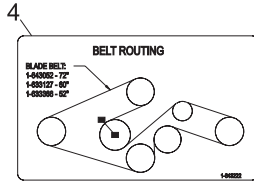
OPERATOR LUBRICATION POINTS AT INTERVALS SHOWN.

- CHECK HYDRAULIC FLUID AT INTERVAL SHOWN. (USE ONLY MOBIL 1 15W-40 SYNTHETIC MOTOR OIL.)
- SEE ENGINE OPERATOR MANUAL FOR SERVICE INTERVALS.
- CHECK TIRE PRESSURE IN PNEUMATIC TIRES. 18 PSI AT INTERVAL SHOWN.

SEE OPERATOR'S MANUAL FOR ADDITIONAL DETAILS.

YEARLY (ENGINE SERVICE DECAL)

48 HOURS  
200 HOURS  
48 HOURS  
200 HOURS  
YEARLY  
YEARLY  
YEARLY  
YEARLY  
YEARLY  
YEARLY  
YEARLY  
YEARLY



7

Engine RPM  
3750 / 50 (no load)



9

**NO STEP**

10

**WARNING**

DO NOT OPERATE WITHOUT DISCHARGE DEFLECTOR, ENTIRE GRASS COLLECTION SYSTEM, OR MULCH KIT IN PLACE. DO NOT REMOVE GRASS CATCHER UNTIL BLADES HAVE STOPPED.

10-2200

11

**CAUTION**

DO NOT OPERATE WITHOUT GUARD IN PLACE.

12

**DANGER**

COVERS REMOVAL DO NOT OPERATE WITH THIS UNIT WHEN COVER IS NOT IN PLACE.

13

Lubricate Blade Belt threads with copper based anti-seize or grease and torque to 55-60 ft-lbs (75-81 N.m).

14

**DANGER**

To avoid serious injury or death:

- Avoid blades unless engine and blades are stopped.

**WARNING**

To avoid serious injury or death:

- Pick up objects that could be thrown by the blades.
- Do NOT mow when people and pets are in the area.
- Do NOT carry passengers.
- Look behind and to the side before changing directions.
- Before leaving operator's position:
  - Disengage PTO.
  - Move drive levers out to neutral lock position.
  - Engage park brake.
  - Stop engine.

THROTTLE  
CUTTING HEIGHT

103-3997



16

Torque Wheel Lug Nuts to 90-95 ft-lbs (122-129 Nm). Check after first 100 hrs then every 100 hrs thereafter.

103-2462

17

**IMPORTANT:**

BEFORE STARTING ENGINE, CLEAN GRASS FROM PUMP DRIVE BELT COMPARTMENT. CHECK MORE OFTEN IN DRY CONDITIONS.



19

**WARNING**

ROTATING MECHANICAL DEVICES CAN CAUSE SERIOUS INJURY!

- Do NOT operate without guards in place.
- Stop engine before opening cover.

103-9256

21

IMPORTANT OIL-USE ONLY  
MOBIL 1 5W-40 SYNTHETIC ENGINE OIL  
FILL TO TOP OF BUBBLE

**CAUTION**

HOT SURFACE

22

**WARNING**

TO AVOID INJURY OR DEATH FROM ROLL-OVER:

- Keep roll bar in the raised and locked position and use seat belt.
- Roll bar is NOT PROTECTIVE when the roll bar is DOWN.
- Lower the roll bar only when absolutely necessary.
- Do not wear seat belt when the roll bar is down.
- Drive slowly and carefully.
- Raise the roll bar as soon as clearance permits.
- Read and follow safe operation instructions and warnings.

10-2118

20

MOTION CONTROL  
UP  
DOWN

**WARNING**

Battery contains sulfuric acid. Avoid contact and always shield eyes, face, skin and clothing from battery. Cigarettes, flames or sparks could cause battery to explode. Do not charge or use booster cables or adjust post connections without proper training. In event of an accident flush with water immediately. Keep out of reach of children.

DRIVE WHEEL RELEASE  
One turn counterclockwise to release. Do not over-tighten.

MOTION CONTROL  
UP  
DOWN

23

**ANTI-SCALP ROLLER ADJUSTMENT**

FOR NORMAL OPERATING CONDITIONS PLACE ROLLERS IN POSITIONS SHOWN FOR 3/4" (19 mm) GROUND CLEARANCE.

CUTTING HEIGHT (Inches/mm)

FOR MAXIMUM FLOTATION ROLLERS MAY BE POSITIONED LOWER, BUT MUST MAINTAIN A MINIMUM OF 3/4" (19 mm) GROUND CLEARANCE. NEVER POSITION THE ROLLERS TO SUPPORT THE MOWER DECK.



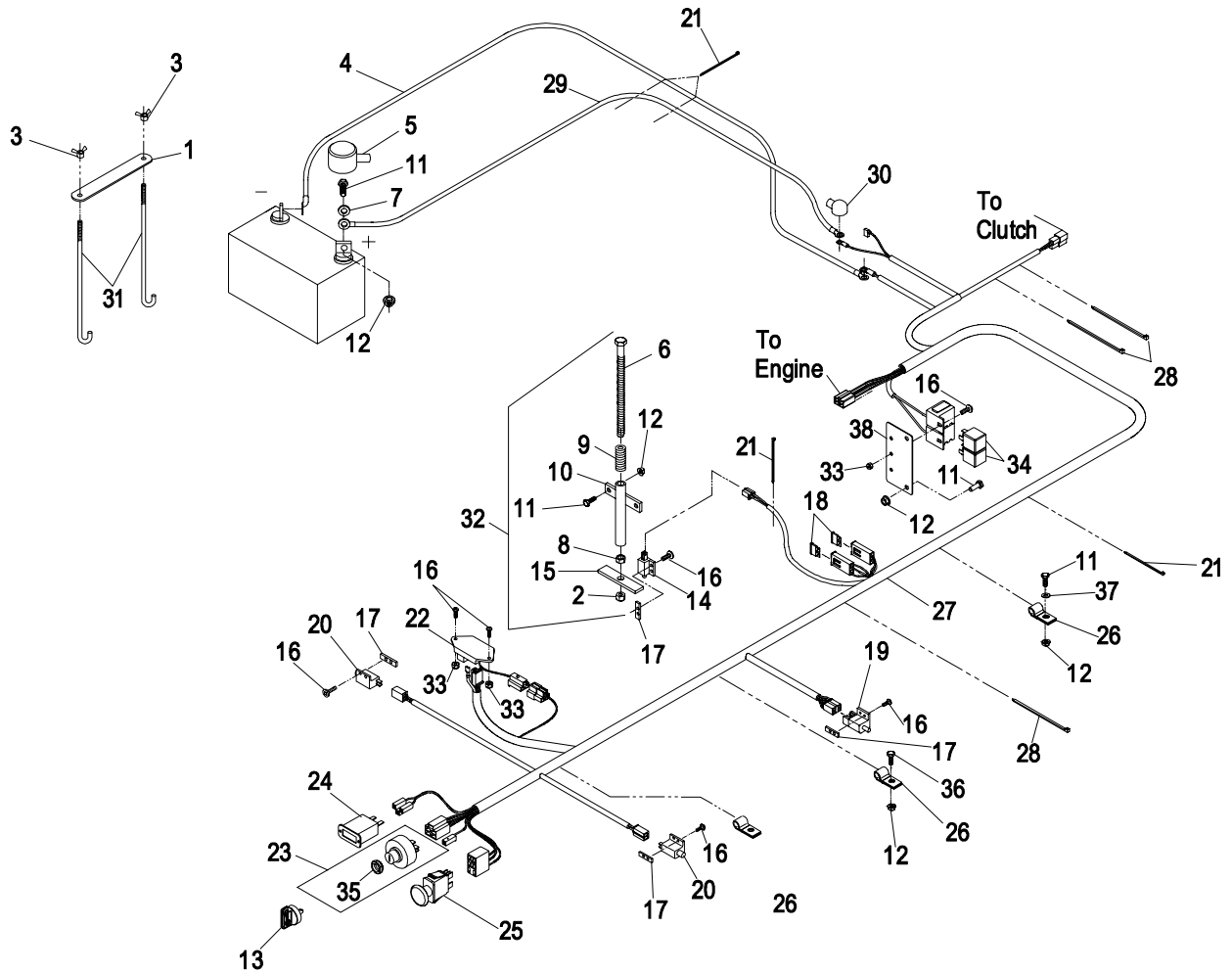
25

**DANGER**

KEEP HANDS and FEET AWAY



# KOHLER ELECTRICAL GROUP



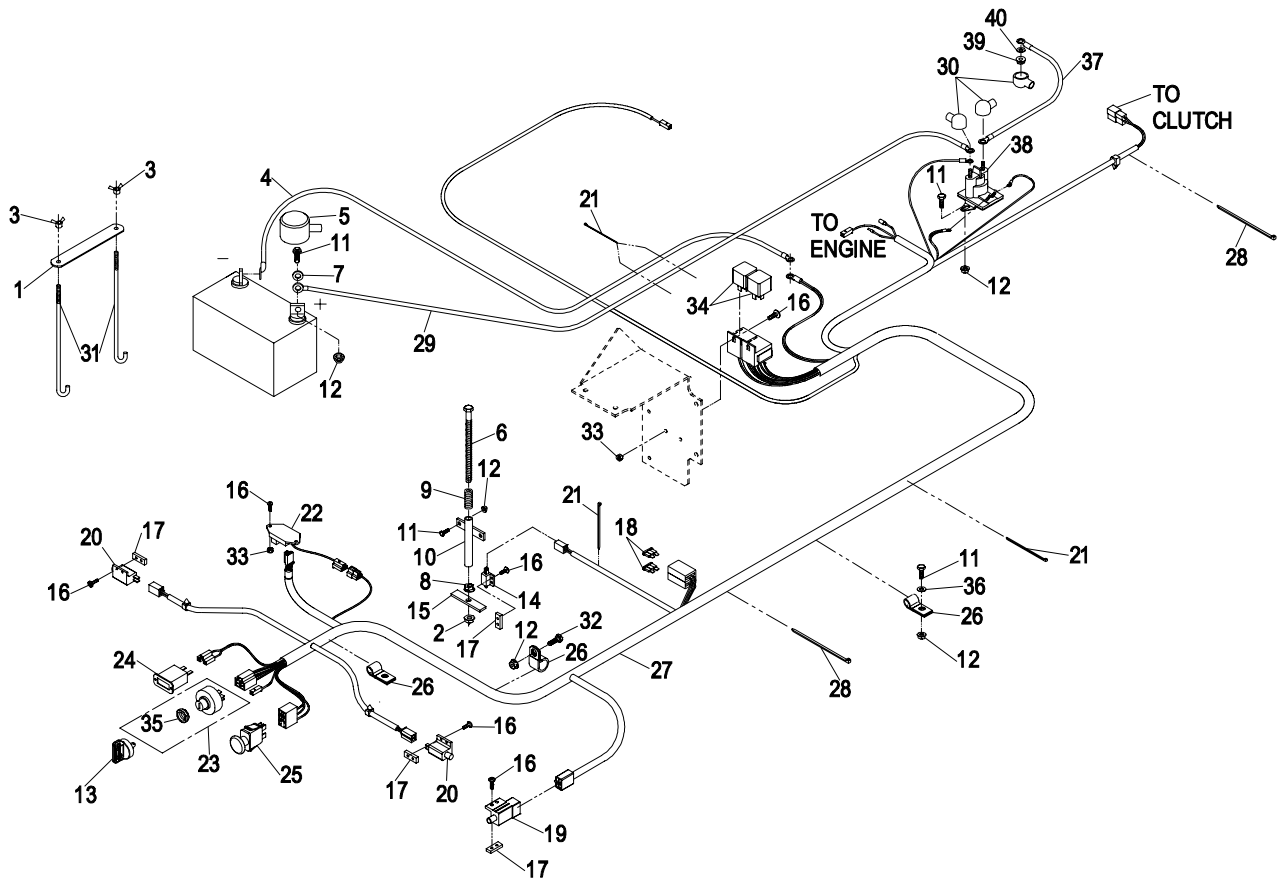
Item	Part No.	Description	Qty.
1	107-9277-03	Hold Down, Battery .....	1
2	3296-29	Nut, 5/16-18 Nyloc .....	1
3	1-543792	Wingnut, Nyloc.....	2
4	1-633307	Cable, Battery (-) 40".....	1
5	109-2407	Insulator, Battery.....	1
6	1-800282	Screw, 5/16-18 x 7 .....	1
7	3256-2	Washer, 1/4 Flat.....	2
8	3217-6	Nut, Hex 5/16-18 .....	1
9	1-523415	Spring, Seat Switch.....	1
10	1-522424-03	Wldmt, Spring Mount.....	1
11	321-4	Screw, 1/4-20 x 3/4 .....	7
12	32128-33	Nut, 1/4-20 Whizlock.....	8
13	103-2106	Key, Exmark Logo.....	1
	1-603511	Key, Ignition .....	1
14	1-513152	Switch, Seat N.C.....	1
15	1-513180	Actuator, Seat Switch.....	1
16	3290-500	Screw, #10-24 x 5/8 .....	12
17	1-633181	Plate, Tapped.....	4
18	1-816001	Fuse-20 Amp .....	2
19	1-633111	Switch, Brake N.O./N.C.....	1

Item	Part No.	Description	Qty.
20	1-513051	Switch, Drive Lever N.O.....	2
21	1-303287	Plastic Tie (Small).....	5
22	103-5218	Module, Seat Delay .....	1
23	109-4736	Asm, Switch W/Nut .....	1
24	1-513374	Meter, Engine Hours .....	1
25	103-5221	Switch, PTO.....	1
26	1-633396	Clip, Loom .69 .....	3
27▲	109-0480	Harness, Wiring .....	1
28	1-303335	Plastic Tie (Large).....	3
29	109-7630	Cable, Battery (+).....	1
30	1-543393	Insulator, Solenoid (+).....	1
31	1-633651	Bolt, Battery Hold Down .....	2
32	103-5652	Asm, Seat Switch Actuator.....	1
33	3296-2	Nut, #10-24 Hex Nyloc.....	4
34	1-643275	Relay, 12V .....	2
35	103-0498	Nut, Ignition .....	1
36	321-2	Screw, 1/4-20 x 1/2.....	1
37	3256-22	Washer, 1/4 SAE .....	1
38	109-7679-03	Mount, Relay .....	1

▲ Use dielectric grease on all wiring harness connectors.



# KAWASAKI ELECTRICAL GROUP

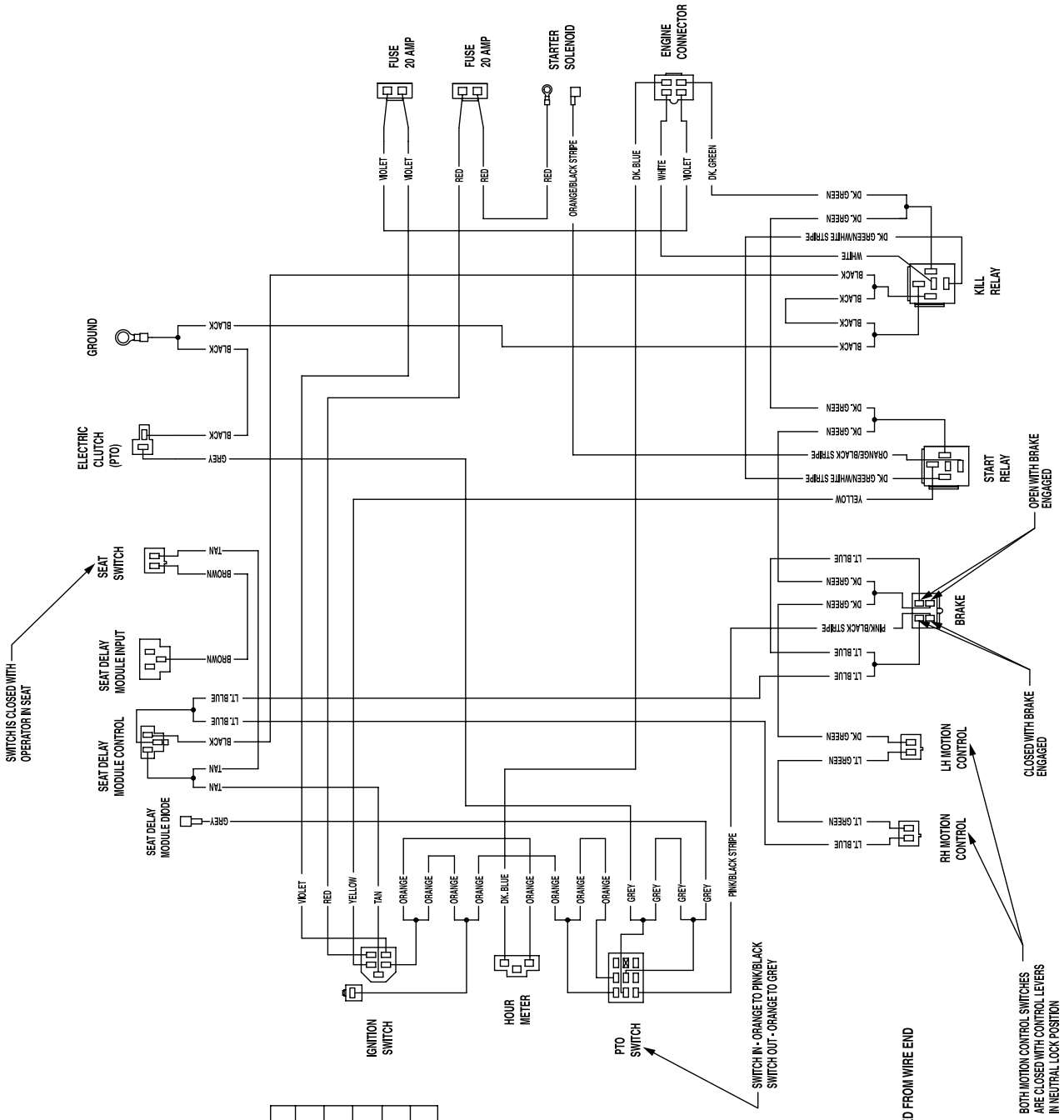


Item	Part No.	Description	Qty.
1	107-9277-03	Hold Down, Battery .....	1
2	3296-29	Nut, 5/16-18 Nyloc .....	1
3	1-543792	Wingnut, Nyloc.....	2
4	1-633307	Cable, Battery (-) 40".....	1
5	109-2407	Insulator, Battery .....	1
6	1-800282	Screw, 5/16-18 x 7 .....	1
7	3256-2	Washer, 1/4 Flat.....	2
8	3217-6	Nut, Hex 5/16-18 .....	1
9	1-523415	Spring, Seat Switch.....	1
10	1-522424-03	Wldmt, Spring Mount.....	1
11	321-4	Screw, 1/4-20 x 3/4 .....	7
12	32128-33	Nut, 1/4-20 Whizlock.....	8
13	103-2106	Key, Exmark Logo.....	1
	1-603511	Key, Ignition .....	1
14	1-513152	Switch, Seat N.C.....	1
15	1-513180	Actuator, Seat Switch.....	1
16	3290-500	Screw, #10-24 x 5/8 .....	12
17	1-633181	Plate, Tapped.....	4
18	1-816001	Fuse-20 Amp .....	2
19	1-633111	Switch, Brake N.O./N.C.....	1
20	1-513051	Switch, Drive Lever N.O.....	2

Item	Part No.	Description	Qty.
21	1-303287	Plastic Tie (Small).....	5
22	103-5218	Module, Seat Delay .....	1
23	109-4736	Asm, Switch W/Nut .....	1
24	1-513374	Meter, Engine Hours .....	1
25	103-5221	Switch, PTO.....	1
26	1-633396	Clip, Loom .69 .....	3
27▲	109-5804	Harness, Wiring .....	1
28	1-303335	Plastic Tie (Large).....	2
29	109-7630	Cable, Battery (+).....	1
30	1-543393	Insulator, Solenoid (+).....	3
31	1-633651	Bolt, Battery Hold Down.....	2
32	321-2	Screw, 1/4-20 x 1/2.....	1
33	3296-2	Nut, #10-24 Hex Nyloc.....	4
34	1-643275	Relay, 12V.....	2
35	103-0498	Nut, Ignition .....	1
36	3256-22	Washer, 1/4 SAE .....	1
37	1-633306	Wire, Starter Solenoid.....	1
38	1-513075	Switch, 12V Solenoid.....	1
39	3217-5	Nut, Hex 1/4-20.....	1
40	1-805004	Washer, Lock 1/4 Heavy.....	1

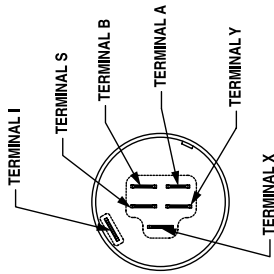
▲ Use dielectric grease on all wiring harness connectors.

# KOHLER ELECTRICAL DIAGRAM



## IGNITION SWITCH

TERMINAL	CONNECTIONS
TERMINAL A	VOLTAGE REGULATOR
TERMINAL B	BATTERY
TERMINAL I	HOUR METER, ENGINE, PTO SWITCH
TERMINAL S	START RELAY
TERMINAL X	SEAT DELAY
TERMINAL Y	HOUR METER, ENGINE, PTO SWITCH

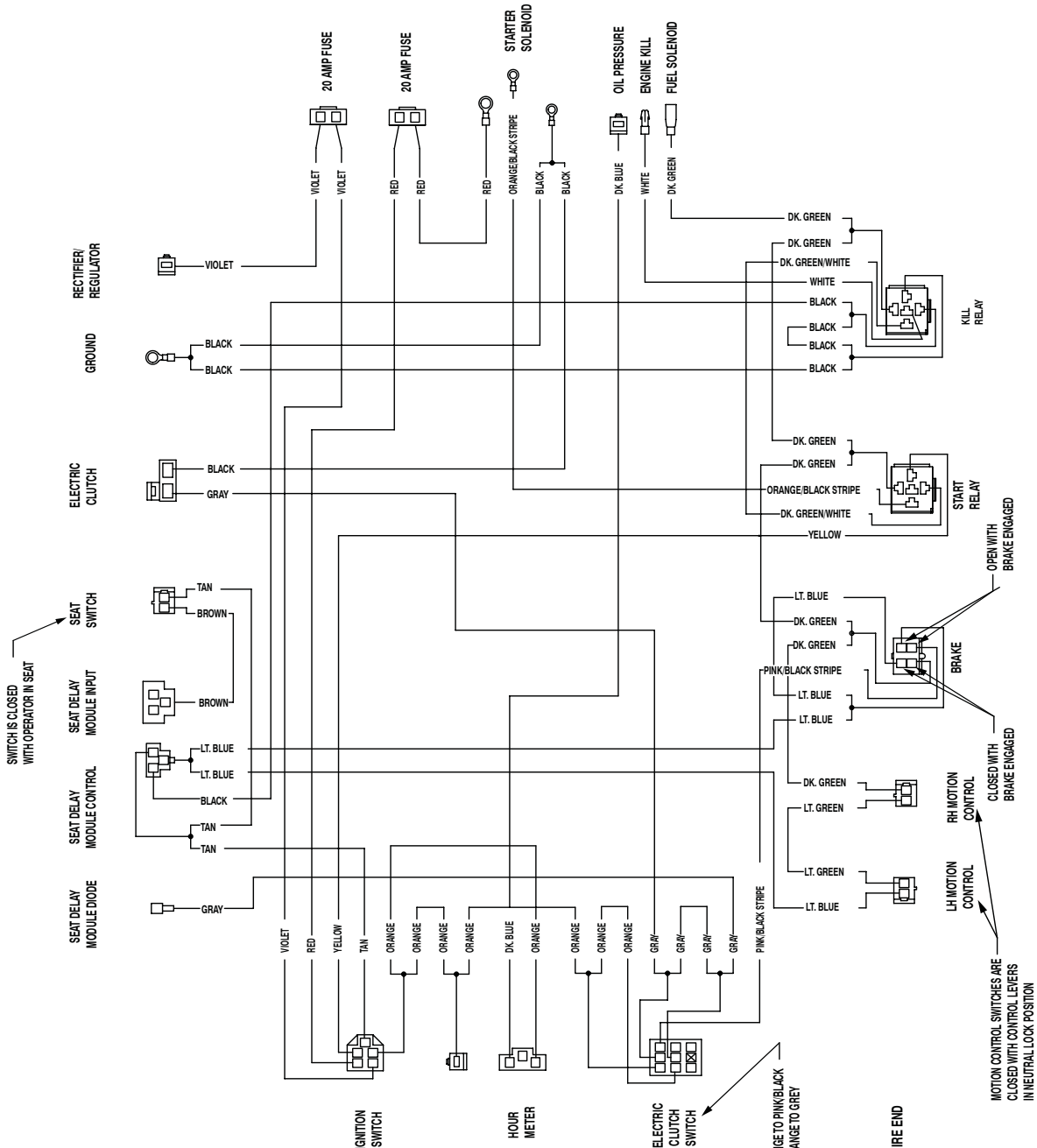


POSITION	CIRCUIT "MAKE"
1. OFF	NONE
2. RUN	B + I + A   X + Y
3. START	B + I + S

NOTE:  
CONNECTORS VIEWED FROM WIRE END

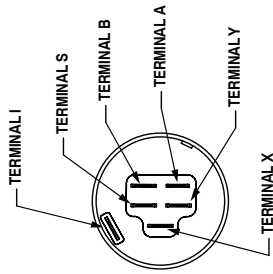
BOTH MOTION CONTROL SWITCHES  
ARE CLOSED WITH CONTROL LEVERS  
IN NEUTRAL LOCK POSITION

# KAWASAKI ELECTRICAL DIAGRAM



## IGNITION SWITCH

TERMINAL	CONNECTIONS
TERMINAL A □	VOLTAGE REGULATOR
TERMINAL B □	BATTERY
TERMINAL I □	HOUR METER, ENGINE, P.T.O SWITCH
TERMINAL S □	START RELAY
TERMINAL X □	SEAT DELAY
TERMINAL Y □	HOUR METER, ENGINE, P.T.O SWITCH



POSITION	CIRCUIT "MAKE"
1. OFF	NONE
2. RUN	B + I + A X + Y
3. START	B + I + S

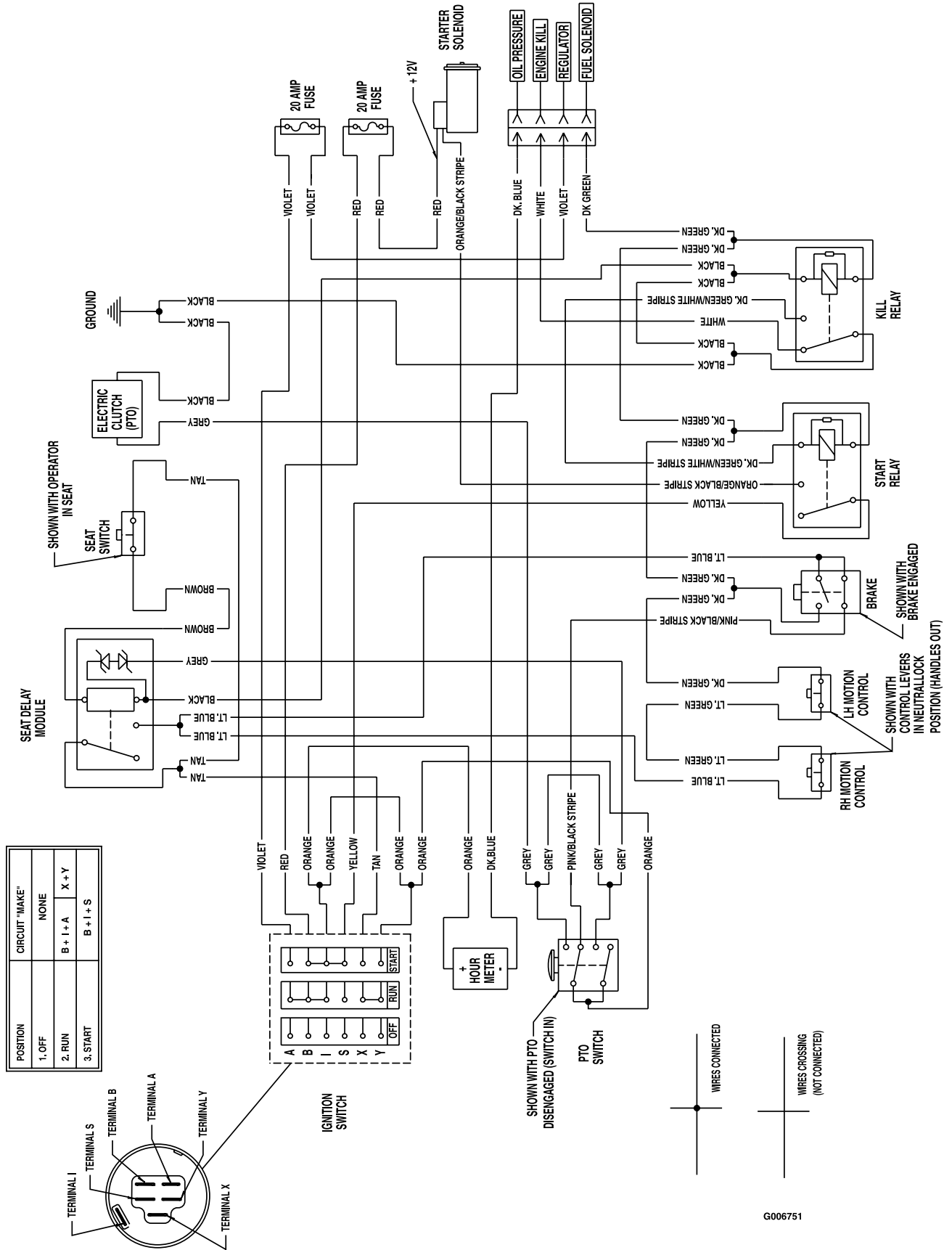
SWITCH IN - ORANGE TO PINK/BLACK  
SWITCH OUT - ORANGE TO GREY

NOTE:  
CONNECTORS VIEWED FROM WIRE END

MOTION CONTROL SWITCHES ARE  
CLOSED WITH CONTROL LEVERS  
IN NEUTRAL LOCK POSITION

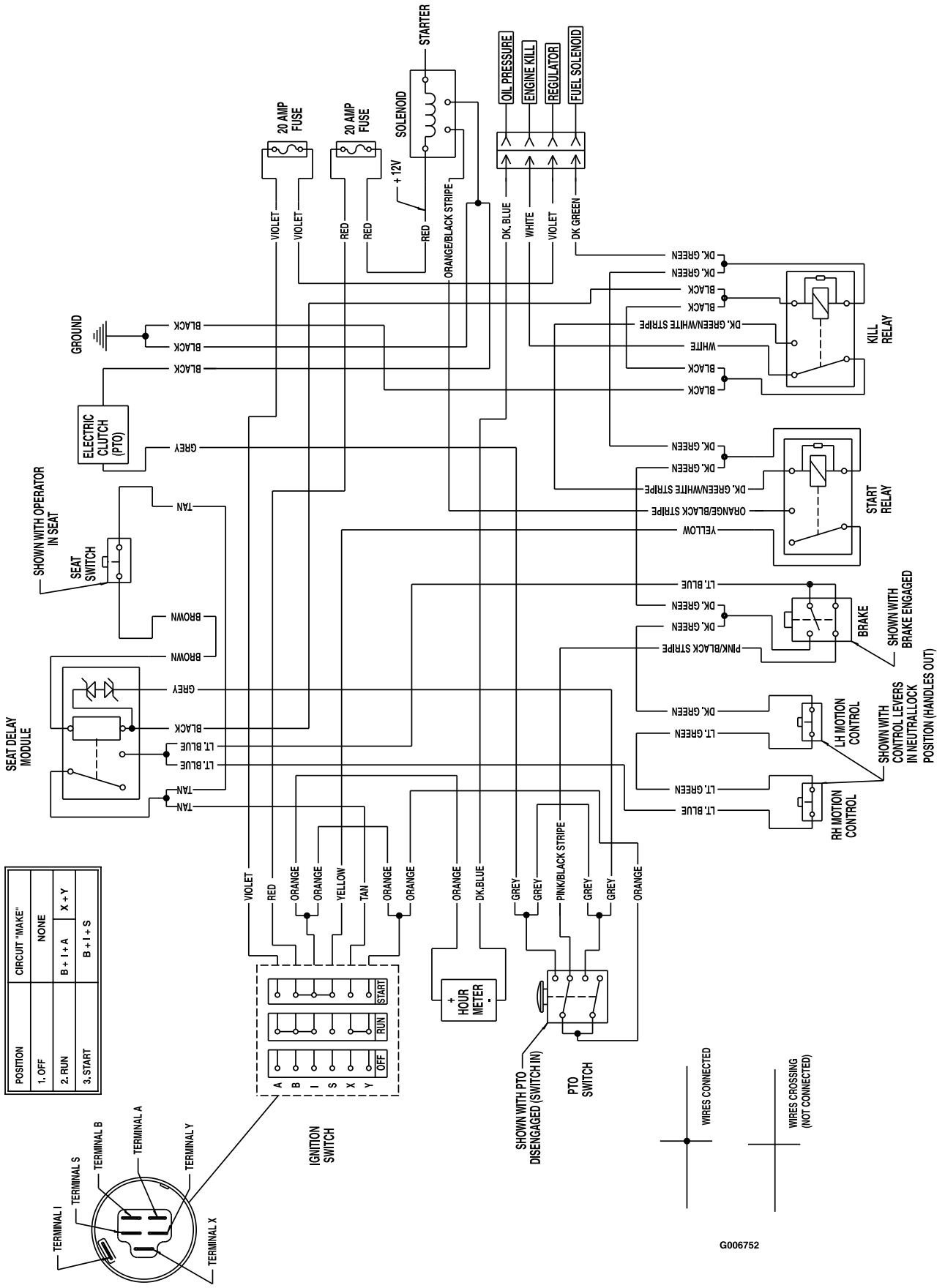
SWITCH IS CLOSED  
WITH OPERATOR IN SEAT

# KOHLER LOGIC SCHEMATIC



G006751

# KAWASAKI LOGIC SCHEMATIC



G006752

## NOTES



# See Exmark's Complete Line of Accessories

## Riding Accessories

Custom Ride Seat Suspension System

Deck Lift Assist Kit

Hitch Kit

Light Kit

Micro-mulch System

Roll Over Protection System (ROPS)

Snow Blade

Sun Shade

Trash Container

Turf Striper

Ultra Vac Collection System

Ultra Vac Quick Disposal System

## Walk Behind Accessories

Grass Catcher

Micro-mulch System

Steerable Sulky

Sulky Hitch Kit

Turf Striper

Standon

Check Us Out On The Web:

[www.exmark.com](http://www.exmark.com)