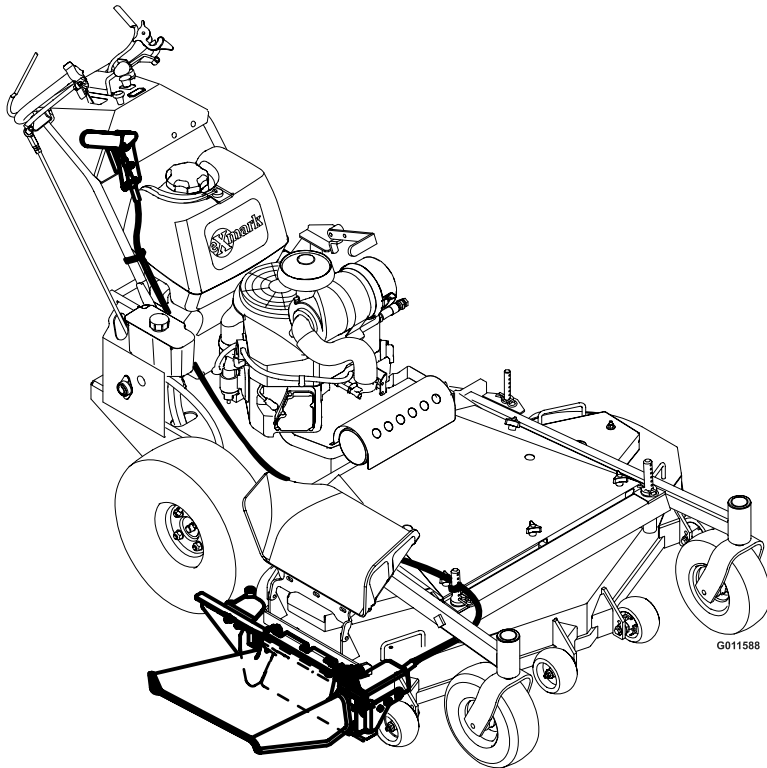


eXmark®



OCDWB01

Parts Manual

Part No. 4500-570 Rev. A

EXMARK PARTS PLUS

PARTS

OVERNIGHT

OR *FREE**

If your Exmark dealer does not have the Exmark part in stock, Exmark will get the parts to the dealer the next business day or the part will be FREE Guaranteed!! (Some restrictions apply. See your participating Exmark Dealer for details.)

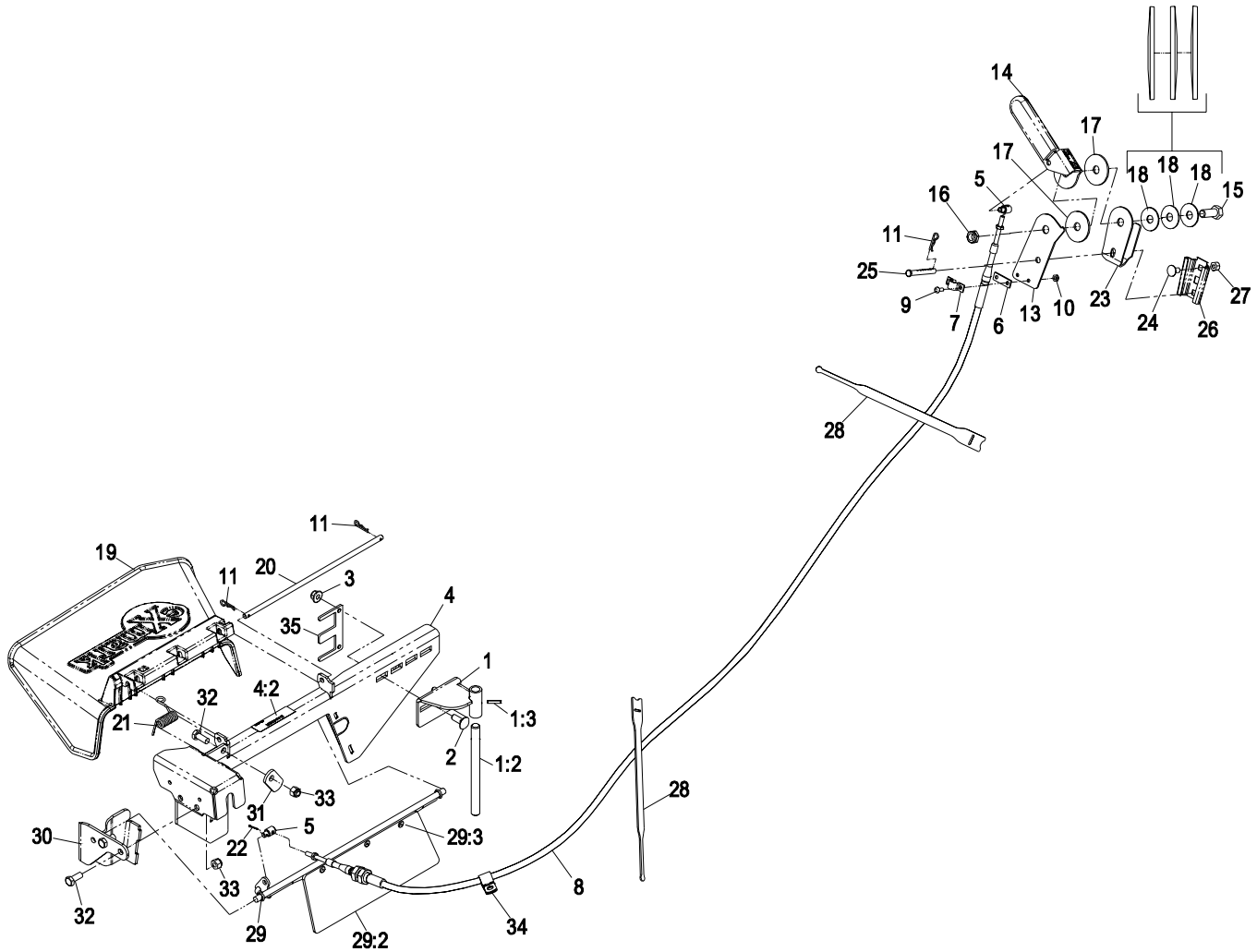


**READ OPERATOR'S MANUAL BEFORE
OPERATING OR SERVICING EXMARK EQUIPMENT**

TABLE OF CONTENTS

<u>Description</u>	<u>Page</u>
Assembly	3
Decals	4

OCDWB01 ASSEMBLY



Item	Part No.	Description	Qty.
1	116-1504	Asm, Mount	1
1:2	1-353050	Pin, Mounting	1
1:3	1-806323	Rollpin	1
2	3231-2	Bolt, Carriage 3/8-16 x 1	2
3	104-8301	Nut, Nyloc 3/8-16 Flg	2
4	116-2358	Gate, Link Frame	1
4:2	98-5954	Decal, Danger	1
5	116-1543	Pivot, Control Cable	2
6	116-1544	Shim, Control Cable	1
7	116-1545	Clamp, Control Cable	1
8	116-2745	Cable, Control	1
9	3250-12	Screw, PPH #10-24 x 1/2	2
10	3296-12	Nut, Nyloc #10-24 Thin	2
11	1-806003	Hairpin, Cotter	3
13	116-2942	Bracket, Control Mount	1
14	116-2361	Control Handle Asm	1
15	325-5	Screw, HH 1/2-13 x 1 1/4	1
16	3296-45	Nut, Nyloc 1/2-13 Thin	1
17	103-5009	Disc, Friction	2
18	103-5018	Washer, Spring Disc	3

Item	Part No.	Description	Qty.
19	109-5151	Deflector, Discharge	1
20	116-2229	Pin, Chute	1
21	116-0962	Spring, Torsion	1
22	3272-1	Pin, Cotter 1/16 x 1/2	1
23	116-2941	Bracket, Handle Mount	1
24	3230-18	Bolt, Carriage 5/16-18 x 5/8	1
25	116-2223	Pin-Clevis	1
26	116-2222	Bracket-Mounting	1
27	3296-29	Nut, Nyloc 5/16-18	1
28	116-2469	Strap-Velcro Cable Tie	2
29	116-1510	Asm, Gate	1
29:2	116-1509	Gate	1
29:3	114439	Rivet, Pop	3
30	116-2792-01	Brkt, Chute Front	1
31	1-353054	Latch-Catcher, Grass	1
32	323-6	Screw, HH 3/8-16 x 1	3
33	3296-39	Nut, Nyloc 3/8-16	3
34	1-603727	Clip, Loom	1
35	116-3226	Shim	1

Exmark red touch up paint (spray paint – P/N 1-850337 - .6 oz liquid bottle – P/N 103-9140).

DECALS



Item	Part No.	Description	Qty.
1	98-5954	Decal, Danger	1

NOTES

SEE EXMARK'S COMPLETE LINE OF ACCESSORIES AND OPTIONS

MID-MOUNT RIDING ACCESSORIES AND OPTIONS

CUSTOM RIDE SEAT SUSPENSION SYSTEM	OPERATOR CONTROLLED DISCHARGE
FULL SUSPENSION SEAT	ROLL OVER PROTECTION SYSTEM (ROPS)
DECK LIFT ASSIST KIT	SUN SHADE
HITCH KIT	TRASH CONTAINER
LIGHT KIT	TURF STRIPER
12V POWER PORT	ULTRA VAC COLLECTION SYSTEM
MICRO-MULCH SYSTEM	ULTRA VAC QUICK DISPOSAL SYSTEM

OUT-FRONT RIDING ACCESSORIES AND OPTIONS

CUSTOM RIDE SEAT SUSPENSION SYSTEM	SNOW BLADE
DUAL-TAIL WHEEL	SNOWBLOWER
FLOOR PAN EXTENDER	SUN SHADE
HITCH KIT	TRASH CONTAINER
LIGHT KIT	ULTRA VAC COLLECTION SYSTEM
MICRO-MULCH SYSTEM	ULTRA VAC QUICK DISPOSAL SYSTEM
ROLL OVER PROTECTION SYSTEM (ROPS)	WEATHER CAB

WALK-BEHIND ACCESSORIES AND OPTIONS

GRASS CATCHER	TURF STRIPER
MICRO-MULCH SYSTEM	STANDON

Date Purchased _____

© 2010 Exmark Mfg. Co., Inc.
Industrial Park Box 808
Beatrice, NE 68310
All Rights Reserved

Part No. 4500-570 Rev. A
(402) 223-6300
Fax (402) 223-5489
Printed In USA.



www.exmark.com