

Parts Manual for

SNAPPER®

SP105 21" ELECTRIC START SELF PROPELLED MOWER 775 SERIES

<i>Model No.</i>	<i>Description</i>
7800956-00	SP105
7800961-00	SP105



Briggs & Stratton Yard Power Products Group

535 Macon Road
McDonough, GA, 30253 U.S.A.
800-935-2967

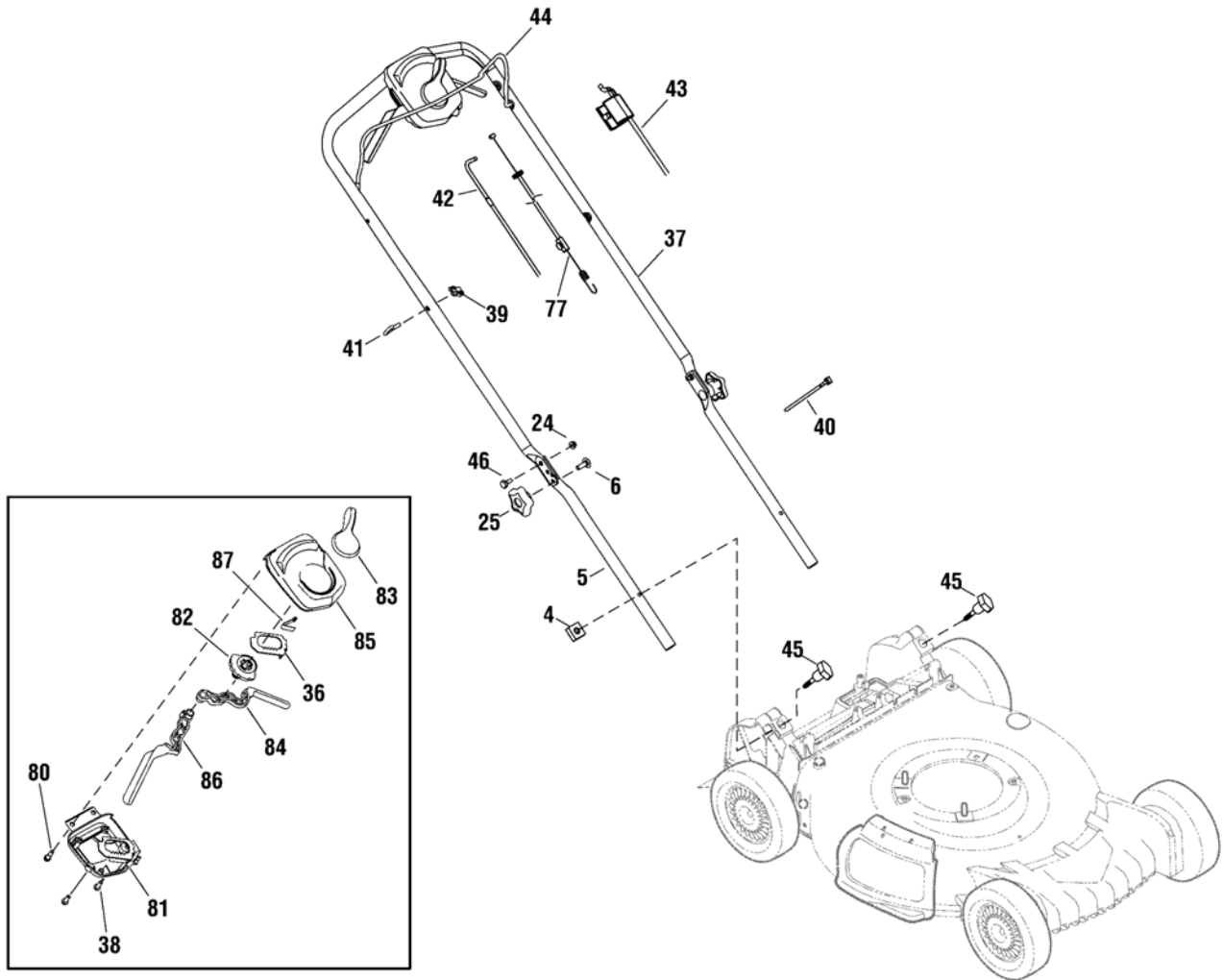
Manual No. 7106251
Revision: A 3/31/2014

Not for
Reproduction

PAGE	GROUP
4	Handle Group
6	Deck Group
8	Drive Group
10	Electric Group

Not for
Reproduction

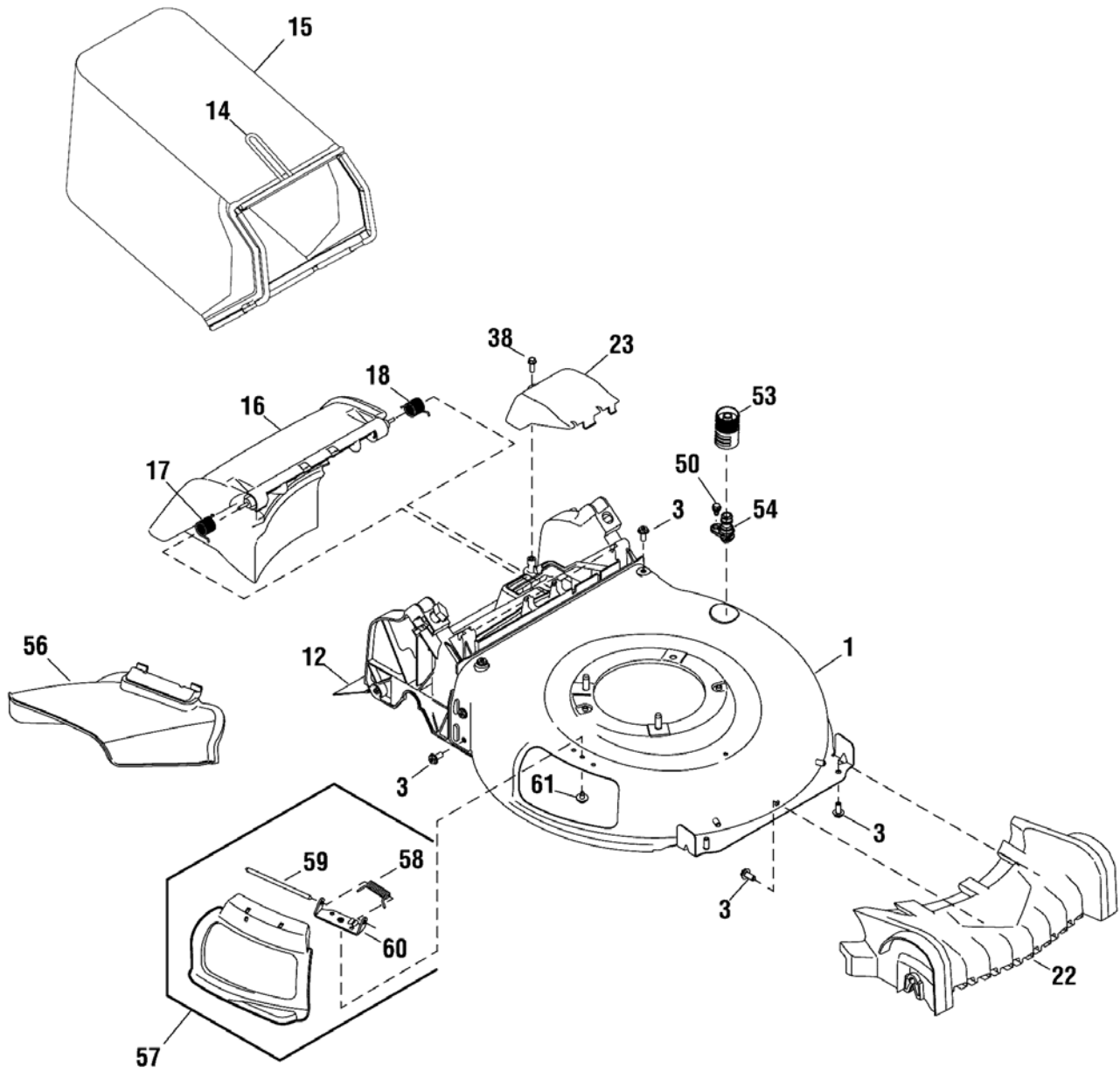
Handle Group



Item	Part No	Qty	Description
4	703486		NUT, Square, 1/4-20
5	703530		HANDLE, Lower
6	703483		BOLT, Carriage, 5/16-18 x 1, GR5
24	703463		NUT, Flange Lock, 1/4-20
25	1101453MA		KNOB, Wing, 5/16-18
36	705881		PLATE, Cable Adjust
37	705882		HANDLE, Upper
38	7091081SM		SCREW, 1/4-15 x 3/4
39	110122MA		KNOB, 1/4-20
40	1701011SM		TIE, Self Lock
41	703485		GUIDE, Rope
42	705883		CABLE, Drive
43	703561		CABLE, Control
44	705884		BAIL, Blade Control
45	705885		NUT, Wing
46	703522		BOLT, Shoulder, 1/4-20
77	705888		CABLE, Speed Adjustment
80	705891		SCREW, Shoulder, 1/4-15 x 1
81	705892		HOUSING, Lower
82	705893		ACTUATOR, Speed Adjust
83	705894		LEVER, Speed Select
84	705895		LEVER, Control, LH
85	705896		HOUSING, Upper
86	705897		LEVER, Control, RH
87	705898		SPRING

Not for
Reproduction

Footnotes:

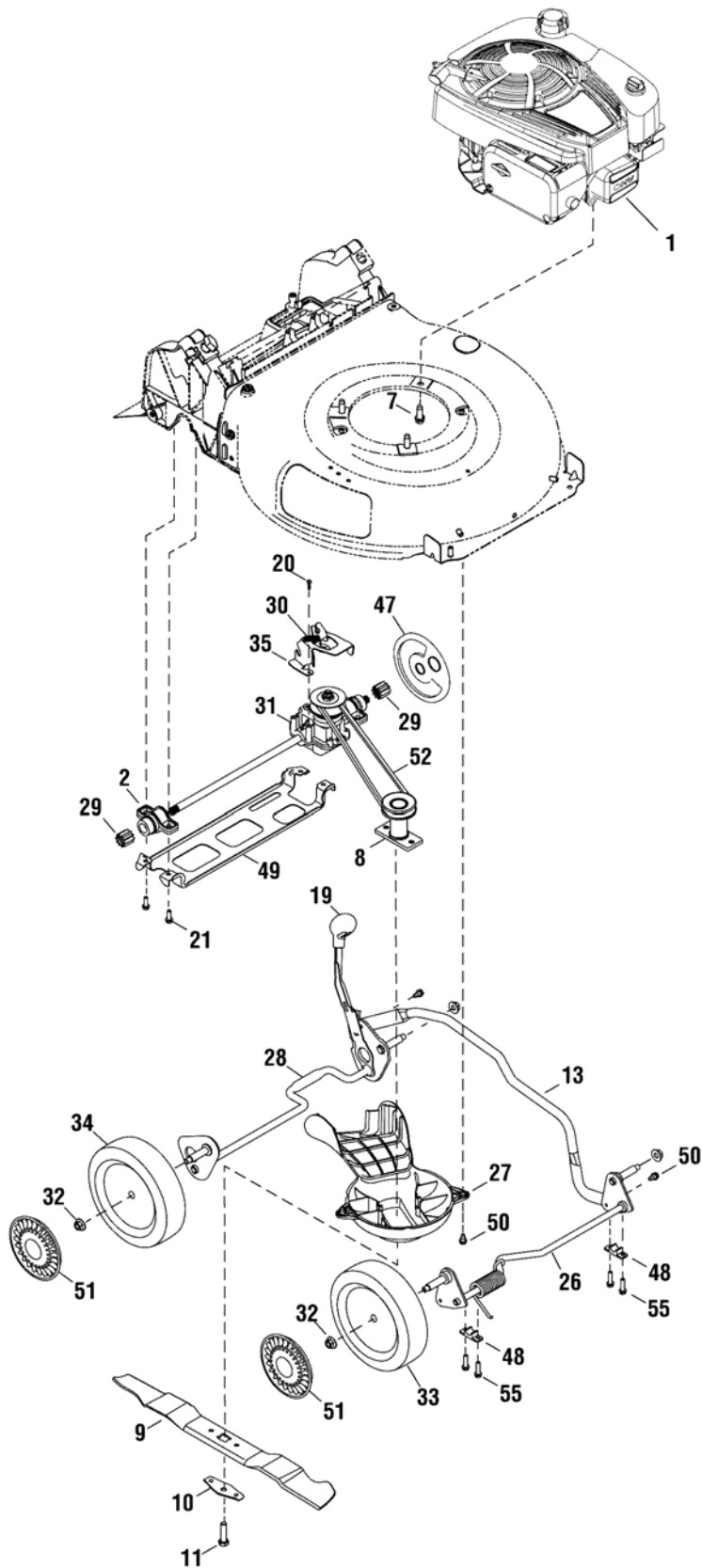


Item	Part No	Qty	Description
1	703544		DECK, 21"
3	703482		SCREW, 5/16-14 x 3/4
12	703499		TRAILING SHIELD
14	703527		FRAME, Grass Bag
15	703385		GRASS BAG
16	703472		DOOR, Rear Discharge
17	705878		SPRING, Torsion, RH
18	705879		SPRING, Torsion, LH
22	703509		COVER, Front
23	703506		COVER, Transmission
38	7091081SM		SCREW, 1/4-15 x 3/4
50	703521		BOLT, Shoulder, 1/4-20
53	703557		ADAPTER, Water Nozzle
54	703502		NOZZLE, Water
56	703377		CHUTE, Side Discharge
57	703566		MULCH PLUG (Includes Ref. Nos. 58, 59 & 60)
58	703517		SPRING, Torsion
59	703529		PIN, Hinge
60	703538		BRACKET, Chute Deflector
61	B4300GS		SCREW, 1/4-20 x 1/2

Not for
Reproduction

Footnotes:

Drive Group

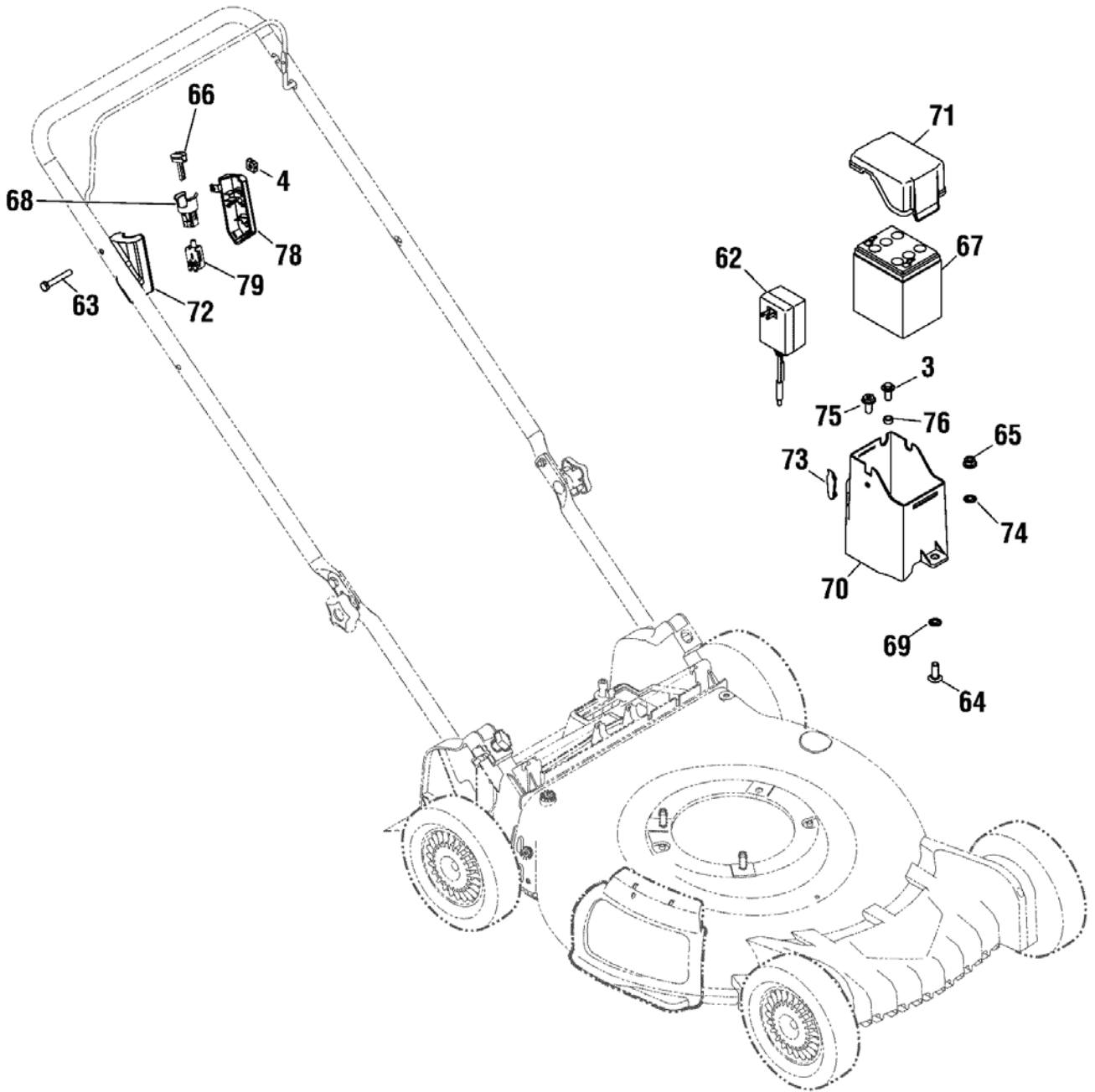


Item	Part No	Qty	Description
1	111P05-0001-F1		* ENGINE, Briggs & Stratton 775 Pro Series OHV
2	703469		BEARING
7	703407		SCREW, 3/8-16 x 1
8	703475		ADAPTER, Blade
9	703371		BLADE, Mulching
10	703520		SUPPORT, Blade
11	01X142MA		SCREW, 3/8-24 x 1-1/2
13	703844		CROSS BRACKET
19	703488		KNOB, Adjustment Lever
20	703479		SCREW, Hex Washer Head, .159 x .43
21	7900023SM		SCREW, 1/4-15 x 1-1/4
26	703549		AXLE ASSEMBLY, Front
27	703471		BAFFLE, Engine
28	703548		AXLE ASSEMBLY, Rear
29	703555		GEAR, 10T
30	703516		SPRING, Extension, 2.405
31	705880		TRANSMISSION
32	5025394SM		NUT, Flange Lock, 3/8-16
33	703380		WHEEL, Front
34	705901		WHEEL, Rear
35	703540		BRACKET, Transmission
47	703505		COVER, Dust
48	703524		BUSHING, Lock, .505 Dia. X .62
49	703542		BRACKET, Rear Support
50	703521		BOLT, Shoulder, 1/4-20
51	703511		HUBCAP, 8" Silver
52	703374		V-BELT, 3L, 31.25"
55	1751399YP		SCREW, 1/4-15 x 1

Not for
Reproduction

Footnotes:

Note* To verify your specific engine model, please reference the ID Tag located on your engine. See your local Briggs & Stratton distributor for parts and service.



Item	Part No	Qty	Description
3	703482		SCREW, 5/16-14 x 3/4
4	703486		NUT, Square, 1/4-20
62	704384		CHARGER, Battery
63	703477		SCREW, 1/4-20 x 1.75
64	703483		BOLT, Carriage, 5/16-18 x 1
65	703409		NUT, Flange Lock, 5/16-18
66	703436		KEY
67	703435		BATTERY
68	705886		SWITCH
69	703495		NUT, Speed
70	703496		HOUSING, Battery
71	703497		HOUSING, Top, Battery
72	705887		HOUSING, Electric Start, RH
73	703518		SEAL, Lid
74	703519		WASHER, Bell, .340 x .872 x .080
75	703523		BOLT, Shoulder, 5/16-14 x .972
76	703532		SPACER, .340 x .460 x .246
78	705889		HOUSING, Electric Start, LH
--	705899		WIRE HARNESS (Not Illustrated)
--	705900		FUSE (Not Illustrated)
79	705890		SWITCH, Plunger

Not for
Reproduction

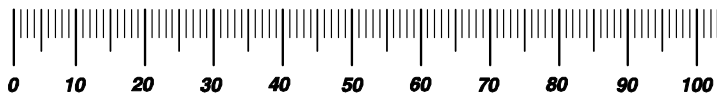
Footnotes:

Hardware Identification & Torque Specifications

Torque Specification Chart FOR STANDARD METRIC MACHINE HARDWARE (Tolerance ± 20%)								
Property Class	5.6 Class 5.6		8.8 Class 8.8		10.9 Class 10.9		12.9 Class 12.9	
	in/lbs ft/lbs	Nm.	in/lbs ft/lbs	Nm.	in/lbs ft/lbs	Nm.	in/lbs ft/lbs	Nm.
M3	5.88	.56	13.44	1.28	19.2	1.80	22.92	2.15
M4	13.44	1.28	30.72	2.90	43.44	4.10	52.56	4.95
M5	26.4	2.50	60.96	5.75	5.97	8.10	7.15	9.7
M6	44.64	4.3	7.3	9.9	10.3	14	12.1	16.5
M7	5.2	7.1	12.1	16.5	16.9	23	19.9	27
M8	7.7	10.5	17.7	24	25	34	29	40
M10	15	21	35	48	50	67	59	81
M12	26	36	61	83	86.2	117	103	140
M14	42	58	101	132	136	185	162	220
M16	64	88	147	200	210	285	250	340
M18	89	121	202	275	287	390	346	470
M20	126	171	290	390	405	550	486	660
M22	169	230	390	530	559	745	656	890
M24	217	295	497	375	708	960	840	1140
M27	320	435	733	995	1032	1400	1239	1680
M30	435	590	995	1350	1401	1900	1681	2280
M33	590	800	1349	1830	1902	2580	2278	3090
M36	759	1030	1740	2360	2441	3310	2935	3980
M39	988	1340	2249	3050	3163	4290	3798	5150

Torque Specification Chart FOR STANDARD MACHINE HARDWARE (Tolerance ± 20%)						
Hardware Grade	No Marks SAE Grade 2		SAE Grade 5		SAE Grade 8	
	in/lbs ft/lbs	Nm.	in/lbs ft/lbs	Nm.	in/lbs ft/lbs	Nm.
8-32	19	2.1	30	3.4	41	4.6
8-36	20	2.3	31	3.5	43	4.9
10-24	27	3.1	43	4.9	60	6.8
10-32	31	3.5	49	5.5	68	7.7
1/4-20	66	7.6	8	10.9	12	16.3
1/4-28	76	8.6	10	13.6	14	19.0
5/16-18	11	15.0	17	23.1	25	34.0
5/16-24	12	16.3	19	25.8	29	34.0
3/8-16	20	27.2	30	40.8	45	61.2
3/8-24	23	31.3	35	47.6	50	68.0
7/16-14	30	40.8	50	68.0	70	95.2
7/16-20	35	47.6	55	74.8	80	108.8
1/2-13	50	68.0	75	102.0	110	149.6
1/2-20	55	74.8	90	122.4	120	163.2
9/16-12	65	88.4	110	149.6	150	204.0
9/16-18	75	102.0	120	163.2	170	231.2
5/8-11	90	122.4	150	204.0	220	299.2
5/8-18	100	136	180	244.8	240	326.4
3/4-10	160	217.6	260	353.6	386	525.0
3/4-16	180	244.8	300	408.0	420	571.2
7/8-9	140	190.4	400	544.0	600	816.0
7/8-14	155	210.8	440	598.4	660	897.6
1-8	220	299.2	580	788.8	900	1,244.0
1-12	240	326.4	640	870.4	1,000	1,360.0

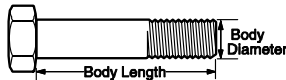
The guides and ruler furnished below are designed to help you select the appropriate hardware.



Nut, M8

Thread Diameter (mm)
Inside Diameter (in) Threads per inch

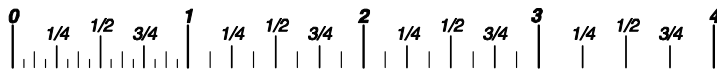
Nut, 1/2-16



Screw, M8- 1.25 x 25

Thread Diameter (mm) Distance between threads (mm) Body Length (mm)
Body Diameter Threads per inch Body Length (in)

Screw, 1/2- 16 x 2



Standard Hardware Sizing

When a washer or nut is identified as 1/2" (M8), this is the *Nominal size*, meaning the *inside diameter* is 1/2 inch (8mm metric thread diameter); if a second number is present it represents the *threads per inch* (distance between threads).

When bolt or capscrew is identified as 1/2 - 16 x 2" (M8 - 1.25 x 50), this means the *Nominal size*, or body diameter is 1/2 inch (8mm metric thread diameter), the second number, 16, represents the *threads per inch*, (1.25 thread diameter). The final number is the body length of the bolt or screw, 2 inches (50mm).

NOTES

- These torque values are to be used for all hardware excluding: locknuts, self-tapping screws, thread forming screws, sheet metal screws and socket head setscrews.
- Recommended seating torque values for locknuts:
 - for prevailing torque locknuts - use 65% of grade 5 torques.
 - for flange whizlock nuts and screws - use 135% of grade 5 torques.
- Unless otherwise noted on assembly drawings, all torque values must meet this specification.

Common Hardware Types

Hex Head Capscrew



Washer



Lockwasher

Carriage Bolt



Hex Nut

Wrench & Fastener Size Guide

1/4" Bolt or Nut Wrench—7/16"	5/16" Bolt or Nut Wrench—1/2"	3/8" Bolt or Nut Wrench—9/16"	7/16" Bolt or Nut Wrench (Bolt)—5/8" Wrench (Nut)—11/16"	1/2" Bolt or Nut Wrench—3/4"
M6 Bolt or Nut Wrench—10mm	M8 Bolt or Nut Wrench—13mm	M10 Bolt or Nut Wrench—17mm	M12 Bolt or Nut Wrench—19mm	M14 Bolt or Nut Wrench—22mm

Parts Manual for

SNAPPER®

SP105 21" ELECTRIC START SELF PROPELLED MOWER 775 SERIES

Not for
Reproduction

IT IS THE POLICY OF BRIGGS & STRATTON CORP TO IMPROVE ITS PRODUCTS WHENEVER IT IS POSSIBLE AND PRACTICAL TO DO SO. WE RESERVE THE RIGHT TO MAKE CHANGES OR ADD IMPROVEMENTS AT ANY TIME WITHOUT INCURRING ANY OBLIGATION TO MAKE SUCH CHANGES ON PRODUCTS

Briggs & Stratton Yard Power Products Group

535 Macon Road
McDonough, GA, 30253 U.S.A.
800-935-2967

www.snapper.com

Copyright © 2014 Briggs & Stratton Corporation
Milwaukee, WI USA. All Rights Reserved

**Manual No. 7106251
Revision: A 3/31/2014**