

Parts Manual for

SNAPPER®

21" STEEL DECK WALK BEHIND MOWERS SERIES 20



Model No.	Description
7800428	2167520B
7800596	217020B
7800437	N2167520B
7800600	N217020B
7800438	NP2167520B
7800601	NP217020B
7800692	NP2187520
7800439	NP2187520BV
7800429	P2167520B
7800597	P217020B
7800554	P2187520
7800430	P2187520BV
7800432	P2187520BVE
7800555	P2187520E
7800602	RP217020
7800424	RP217020BDV
7800552	RP2187520
7800425	RP2187520BV
7800492	RP2187520BV2N1
7800427	RP2187520BVE
7800553	RP2187520E

Briggs & Stratton Yard Power Products Group

535 Macon Road
McDonough, GA, 30253 U.S.A.
800-935-2967

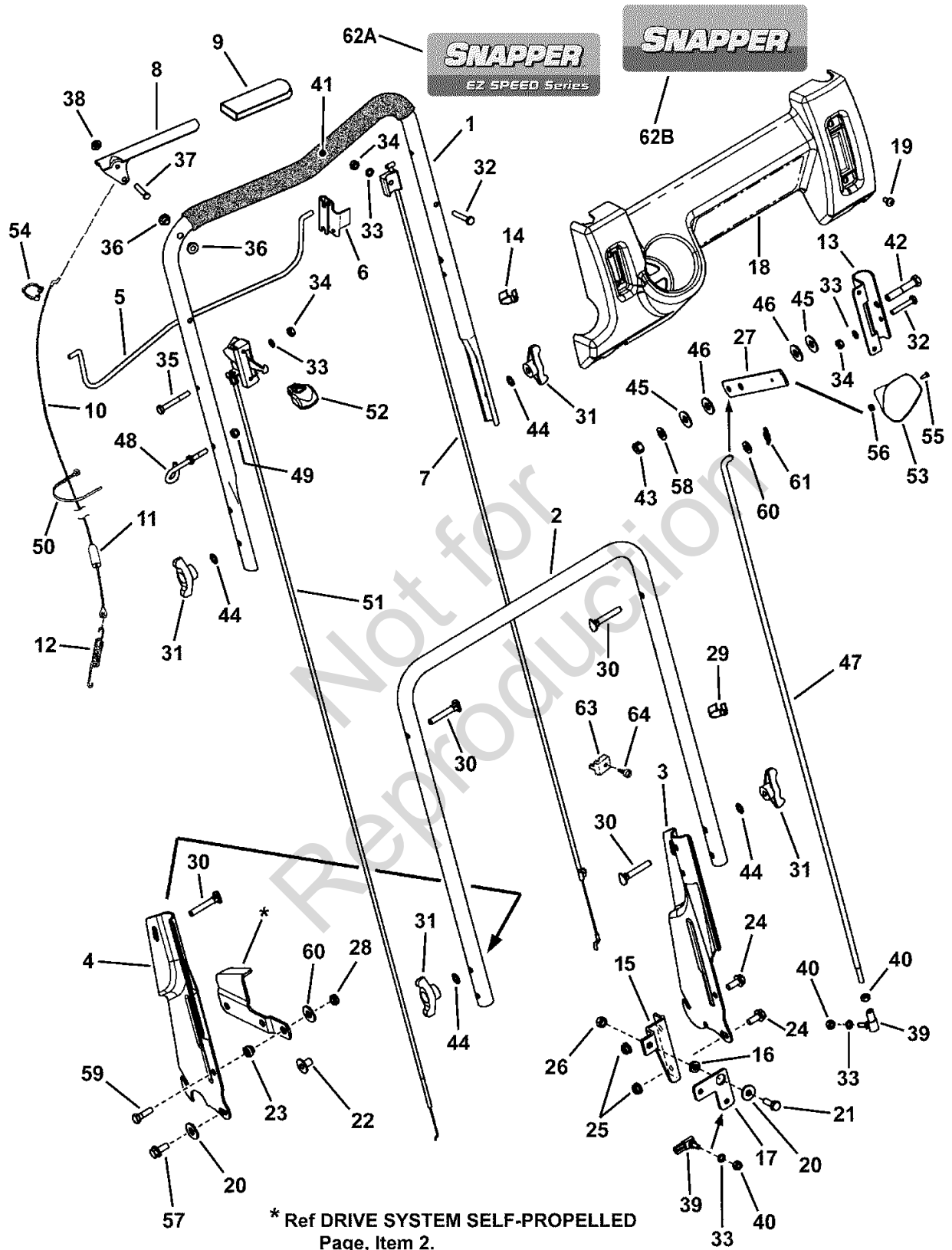
Manual No. 7006477
Revision: E 1/20/2010

Not for
Reproduction

PAGE	GROUP
4	Handles and Controls
8	Engine, Cutting Deck & Blade
10	Wheels Front and Rear
12	Wheel Brackets & Latches (Push)
14	Wheel Brackets & Latches (Self-Propelled)
16	Drive System Self-Propelled
20	Transmission (Differential)
22	Decals
24	Side Chute, Adapter
26	Grass Bag Components
28	Accessory Recycling Kits
30	Accessory Snapperizer
32	Electric Start Components

Not for
Reproduction

Handles and Controls

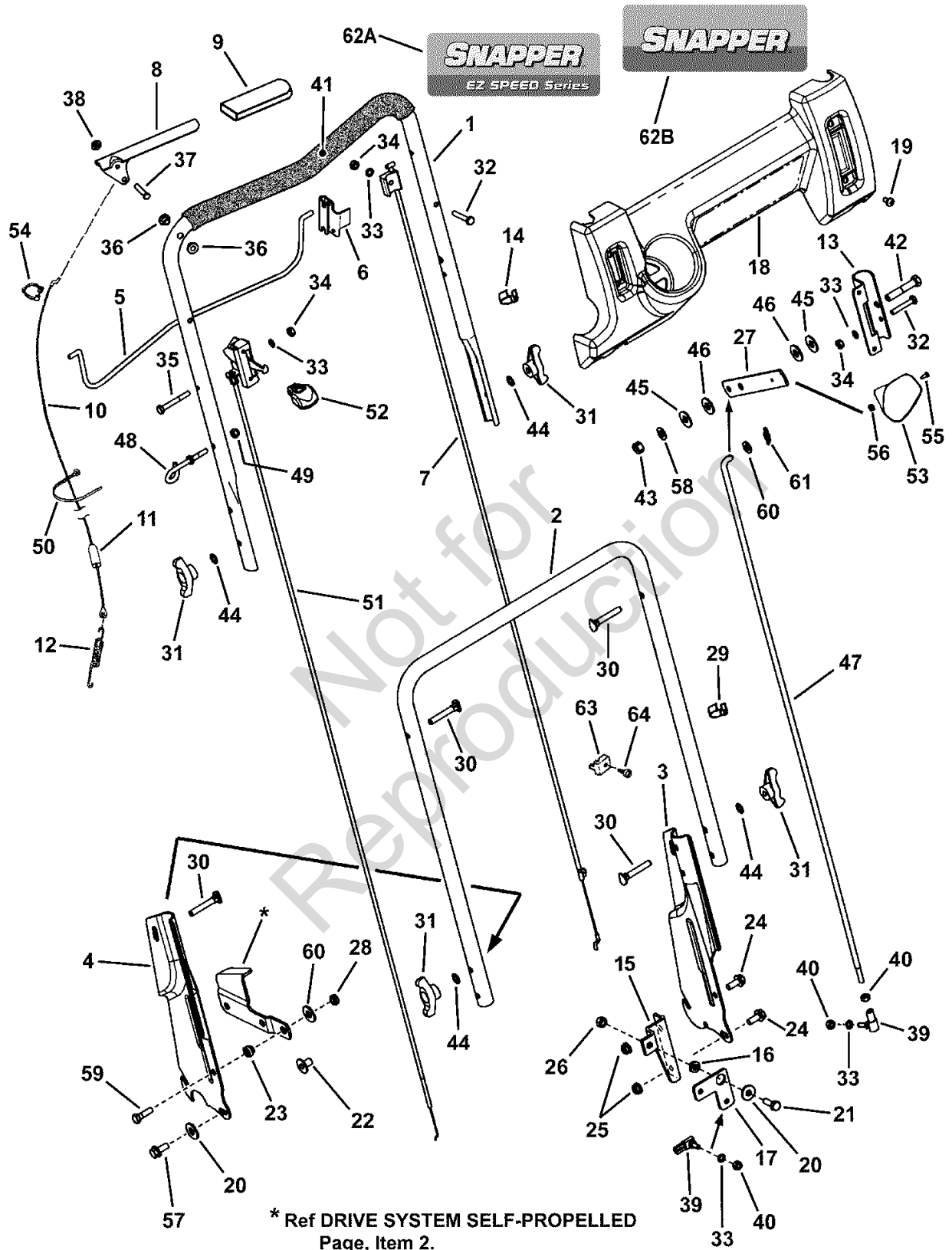


Handles and Controls

Item	Part No	Qty	Description
1	7074411	1	HANDLE, Upper
2	7074156	1	HANDLE, Middle
3	7033985	1	HANDLE, Lower LH (Adjustable)
4	7033986	1	HANDLE, Lower RH (Adjustable) used on 7800430 & 7800492
5	7074418	1	BAIL, OPC Control
6	7034872	1	CLIP, Zone Control
7	7034608	1	* CABLE, Zone Control (52-63/64" Long) used on 7800425, 7800428, 7800437, 7800596, 7800597 & 7800602
7	7102593	1	* CABLE, Zone Control (52-21/32" Long) used on 7800424, 7800552, 7800553, 7800554 & 7800555
7	7078078	1	* CABLE, Zone Control (50-31/64" Long) used on 7800427 & 7800432
8	7074473	1	HANDLE, Clutch
9	7028407	1	GRIP, International Symbol
10	7034604	1	CABLE, Clutch Control (41-1/4" Long)
11	7012121	1	COVER, Vinyl
12	7012122	1	SPRING, Clutch - 21S
13	7074003	1	BRACKET, Shift
14	7024641	2	TIE, Wire, 1.29 long, black
15	7073822	1	BRACKET, Bell Crank
16	7013849	1	SPACER, .33 x .63 x .156
17	7073913	1	BELL CRANK
18	7074140	1	CONTROL PANEL (w/o Electrical Switch Hole) Used on Manual Start Models
18	7074469	1	CONTROL PANEL (w/Electrical Switch Hole) Used on electric start models
18	7073826	1	CONTROL PANEL (w/o wheel drive slot) used on 7800428, 7800437 & 7800596
19	7900067	4	SCREW, 1/4-20 x 1/2" Pan Head Self-Tap (Torx)
20	7091130	2	WASHER, .33 x .88 x .09 Flat
21	7091904	1	SCREW, 5/16-18 x 7/8" Hex Head Cap, GR 5
22	7090538	1	TEENUT, 5/16-18
23	7012114	1	BUSHING, Differential, .328 x .625 x .41
24	7090595	2	BOLT, 5/16-18 x 3/4" Hex Flange Lock GR 5
25	7091601	2	NUT, 5/16-18 Hex Flange Lock, GR 5
26	7091575	1	NUT, 5/16-18 Hex Center Lock
27	7074113	1	LEVER, Shift
28	7091606	1	NUT, 5/16-24 Hex Center Lock GR 5
29	7023813	1	CLIP, Wiring Harness
30	7091189	4	SCREW, 5/16-18 x 1-7/8" Curved Head GR 2
31	7035744	4	KNOB, 5/16-18 Wing (Black)
31	720727	4	KNOB, 5/16-18 Wing (Black) Briggs part
32	7079577	2	SCREW, 1/4-20 x 1-1/2" Hex Head Cap GR 5
33	7090053	5	WASHER, 1/4" Internal Tooth Lock
34	7091576	3	NUT, 1/4-20 Hex
35	7090505	1	SCREW, 1/4-20 x 2" Hex Head Cap, GR 5
36	7014343	2	BUSHING, .27 x .35 x .4 Flange
37	7023792	1	PIN, 1/4 x 1-1/2"
38	7091020	1	PUSH-NUT, 1/4"

Footnotes:

NOTE: * Part number and revision is stamped on cable.

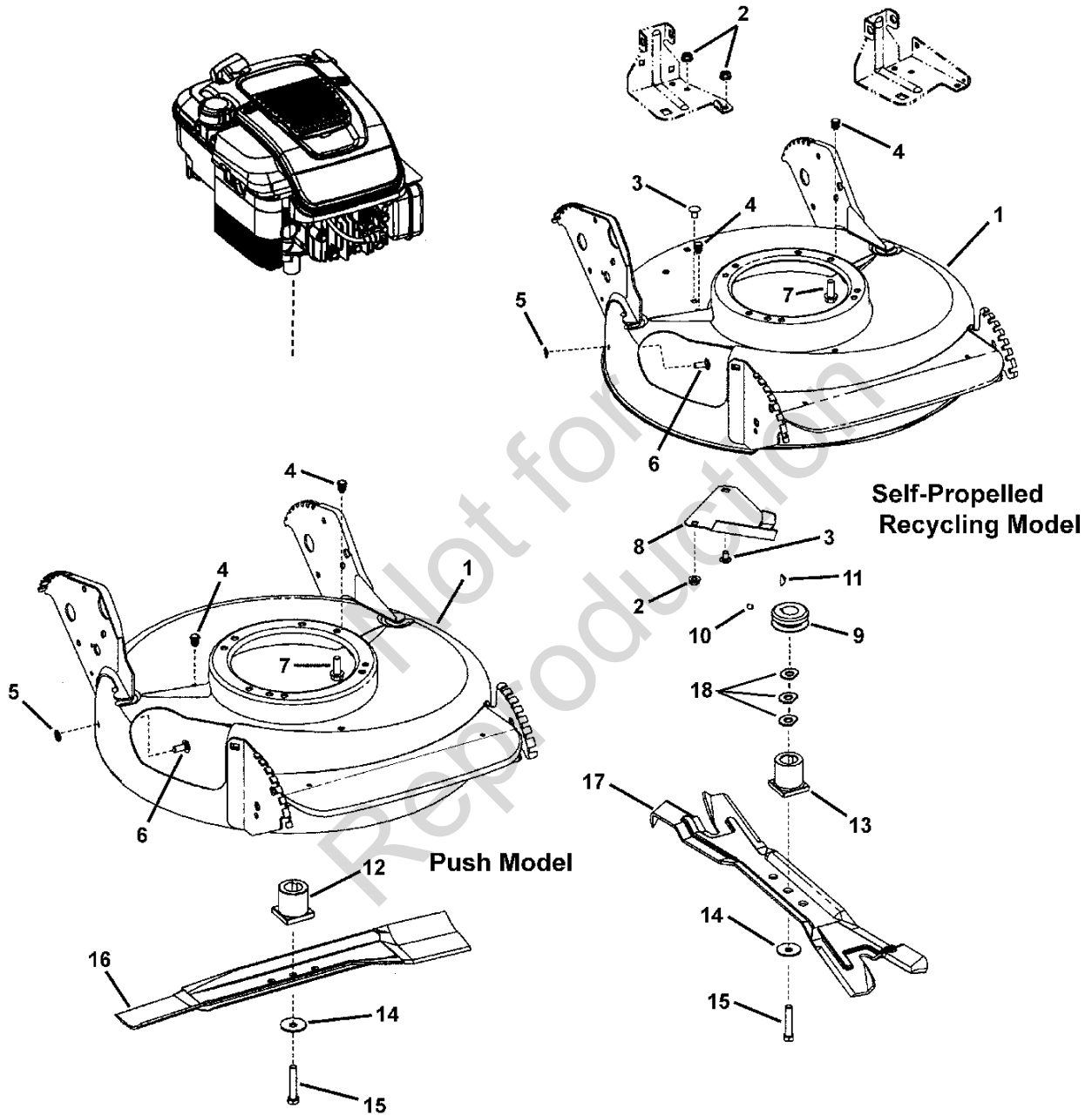


Handles and Controls

Item	Part No	Qty	Description
40	7090095	4	NUT, 1/4-28 Hex
41	7023810	1	FOAM GRIP, 18.75" long
42	7091305	1	SCREW, 3/8-16 x 2" Hex Head Cap, GR 5
43	7091585	1	NUT, 3/8-16 Hex Center Lock
44	7090391	4	WASHER, 5/16" Internal Tooth Lock
45	7031961	8	WASHER, 7/16" Flat
46	7028465	2	WASHER, Nylon
47	7074133	1	ROD, Speed Control (1/4-28 thread)
48	7028488	1	GUIDE, Rope (1/4-20 thread)
49	7076978	1	NUT, 1/4-20 Hex GR 5 or B
50	7012080	1	CABLE-TIE, 7"
51	7074460	1	THROTTLE CONTROL, (48.5") used on 7800425, 7800427, 7800428, 7800429, 7800430, 7800432, 7800437, 7800438, 7800439, 7800492, 7800596, 7800597 & 7800602
51	7100975	1	THROTTLE CONTROL, RP, D.O.V. Engine (50.0") used on 7800424
51	7102594	1	THROTTLE CONTROL (62.0") used on 7800552, 7800553, 7800554 & 7800555
52	7075308	1	THROTTLE KNOB (Red)
53	7075182	1	KNOB, Shift (Red)
54	7026219	1	CLAMP, 7/8" Double Cable
55	7091167	1	SCREW, #8-32 x 1/2" Cross Recess Filister Head Machine
56	7091018	1	NUT, #8-32 Hex
57	7091524	1	SCREW, 5/16-18 x 1-1/4" Hex Washer Head Self-Tap
58	7028568	1	WASHER, Belleville
59	7090238	1	SCREW, 5/16-24 x 1" Hex Head Cap GR 5
60	7090188	2	WASHER, 11/32" Flat
61	7034162	1	COTTER PIN, 5/16 Self Lock
62A	7102940	1	DECAL, Easy Speed, Control Panel
62B	7102974	1	DECAL, Snapper Control Panel used on Push models
63	7023153	1	CLAMP, Casing
64	7023154	1	SCREW, #10-32 x 5/8" Self-Tap

Footnotes:

NOTE: * Part number and revision is stamped on cable.

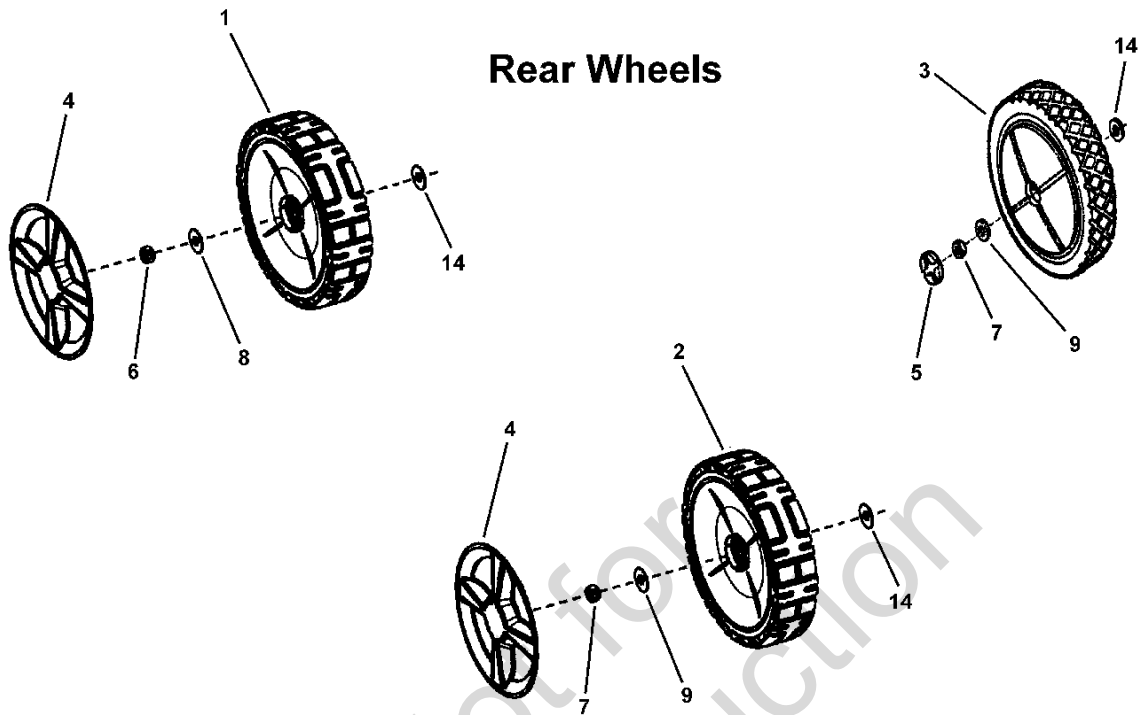


Engine, Cutting Deck & Blade

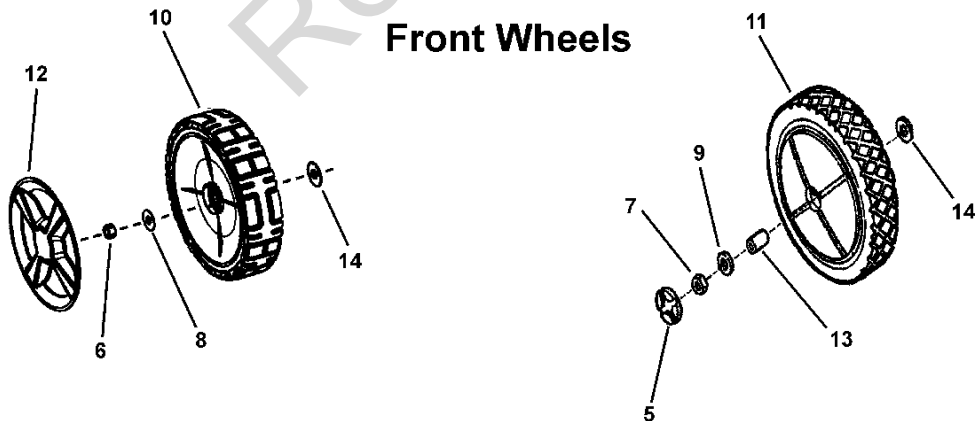
Item	Part No	Qty	Description
--	100602-0155-B8	1	* ENGINE, B&S DOV 700 Series used on RP217020BDV
--	121Q72-0110-F1	1	* ENGINE, B&S 875 Professional Series, California Compliant used on NP2187520
--	126L02-4113-F1	1	* ENGINE, B&S 675 Series used on N2167520B & NP2167520B
--	126T02-0267-B1	1	* ENGINE, B&S 675 Series used on 2167520B & P2167520B
--	128L02-0114-F1	1	* ENGINE, B&S 700 Series, California Compliant used on N217020B & NP217020B
--	12S502-0112-B1	1	* ENGINE, B&S 875 Series, Intek used on RP2187520BV, P2187520BV & RP2187520BV2N1
--	12S507-0115-B1	1	* ENGINE, B&S 875 Series, Intek used on P2187520BVE & RP2187520BVE
--	12S602-0110-F1	1	* ENGINE, B&S 875 Series, Snapper, XIC, F1 used on NP2187520BV
--	12S902-0126-B1	1	* ENGINE, B&S 875 Series, W14 used on RP2187520 & P2187520
--	12S907-0127-B1	1	* ENGINE, B&S 875 Series, W14, ES used on RP2187520E & P2187520E
1	7500081	1	WELDMENT, Deck, 21" Non-Adjust Air (red, w/o decals) used on "R" (recycling) models
1	7400029	1	WELDMENT, Deck, 21" Push, HV, Core Model (red, w/o decals) used on 2167520B & N2167520B (push) models
1	7500549	1	WELDMENT, Deck, Part Sales, Hi-Vac, ES (red, w/decals) used on self-propelled (non-recycling) models
2	7091601	3	NUT, 5/16-18 Hex Flange Lock, GR 5 or 7091070
3	7090731	3	BOLT, 5/16-18 x 1/2", Short Neck Carriage, GR 5
4	7046780	2	PLUG, Hole, Polyethylene
5	7011791	1	RETAINER, 5/16" Bolt
6	7091508	1	BOLT, 5/16-18 x 3/4" Short Neck Carriage GR 5 or 7090001
7	7090324	3	SCREW, 3/8-16 x 1" Self-Tapping engine mount bolts
8	7074568	1	COVER, Belt
9	7015780	1	PULLEY, Engine (25mm I. D. x 2-1/8" O.D.)
10	7090201	1	SET SCREW, 5/16-18 x 5/16" Hex Socket or 7092086 (SET SCREW, 5/16-18 x 1/2" Hex Recess)
11	7091214	1	KEY, Woodruff #HP-506 Hi-Pro
12	7015626	1	HUB, Blade Drive, 25 mm I.D.
13	7101414	1	HUB, Blade, 21" WBM, RD, 2 Position
14	7012063	2	WASHER, Cone 3/8"
15	7090167	1	SCREW, 3/8-24 x 2" Hex Head Cap, GR 5
16	7026691	1	BLADE, 21" Standard Lift
17	7026407	1	BLADE, 21" Ninja (Quad Edge) Used on Recycling Models
18	7044770	3	SPACER, Blade Hub Used on RP2187520BVE & RP2187520E

Footnotes:

NOTE: * Purchase engine parts from engine manufacturer dealer.



NOTE: Always replace wheel nut (item 6 or 7) when removing or replacing wheel.



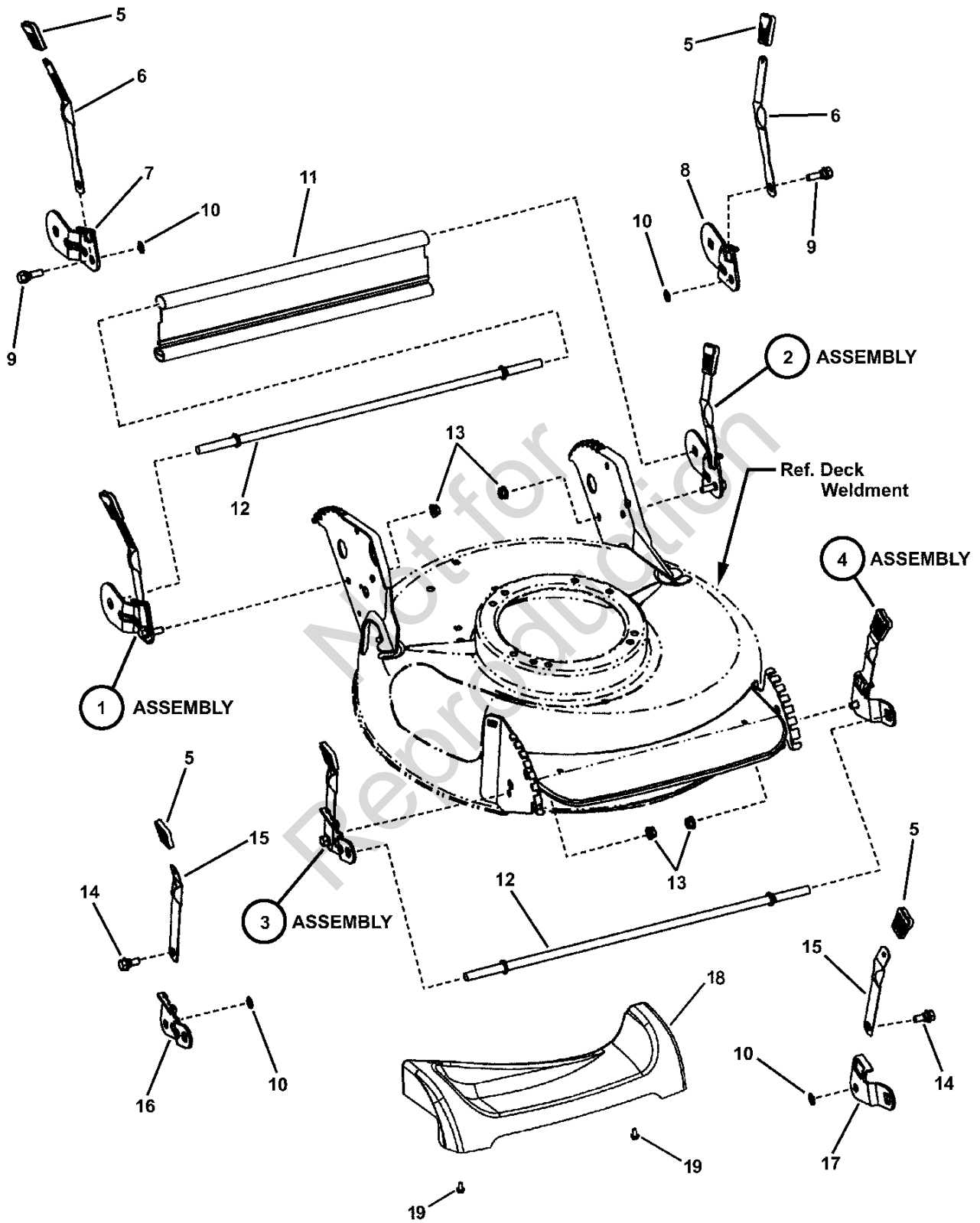
Wheels Front and Rear

Item	Part No	Qty	Description
1	7501092	2	ASSY, Wheel, 10 x 2" Idle, BB, Snapper Tread (push) incl. two 1-1/8" O.D. Flanged Ball Bearings (p/n 7101380)
2	7501078	2	ASSY, Wheel, 10 x 2" Drive w/metal insert Snapper Tread used on all self-propelled models except RP2187520BVE
3	7029011	2	WHEEL, 10 x 1.75" Plastic (self-propelled) used on RP2187520BVE (7800427)
4	7102625	2	HUBCAP, 10" Wheel, Spoked- Snapper Cool Gray
5	7017829	4	PLUG, Wheel
6	7091585	2	NUT, 3/8-16 Hex Center Lock
7	7090377	4	NUT, 7/16-20 Hex Center Lock Jam
8	722604	2	WASHER, .387 x 1" O.O. Flat
9	7031961	2	WASHER, 7/16" Flat
10	7500540	2	ASSY, Wheel, 8 x 2" Idle, Snapper Tread, Charcoal Gray incl. two 1-1/8" O.D. Flanged Ball Bearings (p/n 7101380)
11	7029010	2	WHEEL, 8 x 1.75" Plastic used on RP2187520BVE (7800427) only
12	7101350	2	HUBCAP, 8" Wheel, Spoked- Snapper Cool Gray used on 7500540 wheel
13	7012309	2	BUSHING, Axle
14	7100585	4	WASHER, Shim, .875 x .531 x .060 (qty. 2 on self-propelled)

Not for
Reproduction

Footnotes:

Wheel Brackets & Latches (Push)



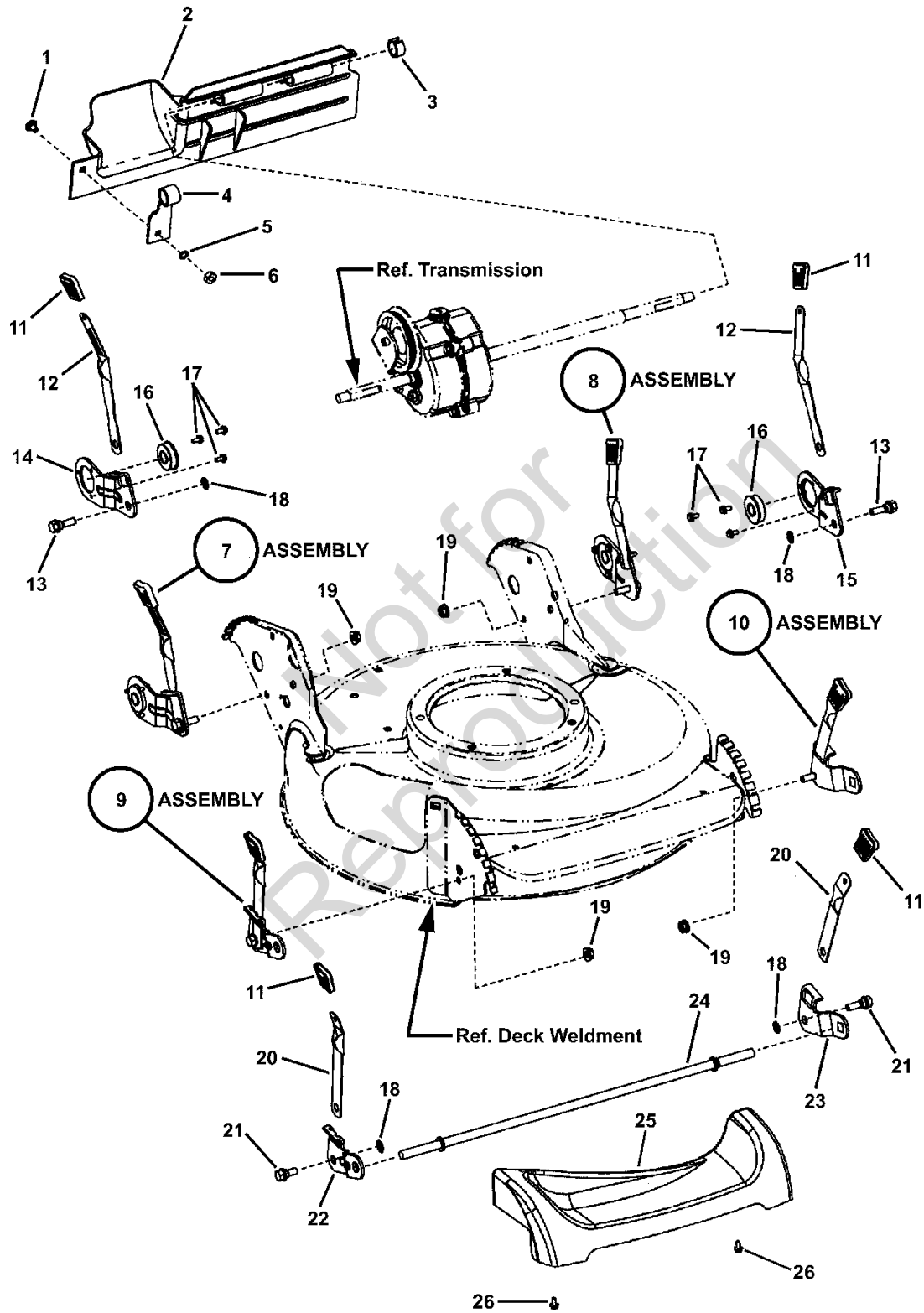
Wheel Brackets & Latches (Push)

Item	Part No	Qty	Description
1	7054228	1	ASSY, Wheel Arm, Right Rear (Push)
2	7501119	1	ASSY, Wheel Arm, Left Rear Long (Push)
3	7051886	1	ASSEMBLY, Right Wheel Arm
4	7500038	1	ASSEMBLY, Left Wheel Arm (.512" Square Hole)
5	7100633	4	GRIP, Height Latch
6	7035717	2	LATCH, Height Adjusting (long)
7	7033776	1	ARM, Wheel, Right Rear
8	7102587	1	ARM, Wheel, Left Rear
9	7011078	2	BOLT, 5/16-18 x 1" Hex Washer Face Shoulder
10	7011791	4	RETAINER, 5/16" Bolt
11	7103210	1	GUARD, Rear (21 Push)
12	7100752	2	AXLE, Front, Easy Line (3/8-16 Threads)
13	7091601	4	NUT, 5/16-18 Hex Flange Lock, GR 5 or 7090585 or 7091070
14	7015761	2	BOLT, 5/16-18 x 3/4" Hex Washer Face Shoulder
15	7012325	2	LATCH, Height
16	7031017	1	WHEEL ARM, R.H. Front (Round Hole)
17	7011393	1	WHEEL ARM, L.H. Front (.512" Square Hole)
18	7100196	1	COVER, Front 21" walk
19	7900018	2	SCREW, Round Washer Head Torx, Hi-Lo

Not for
Reproduction

Footnotes:

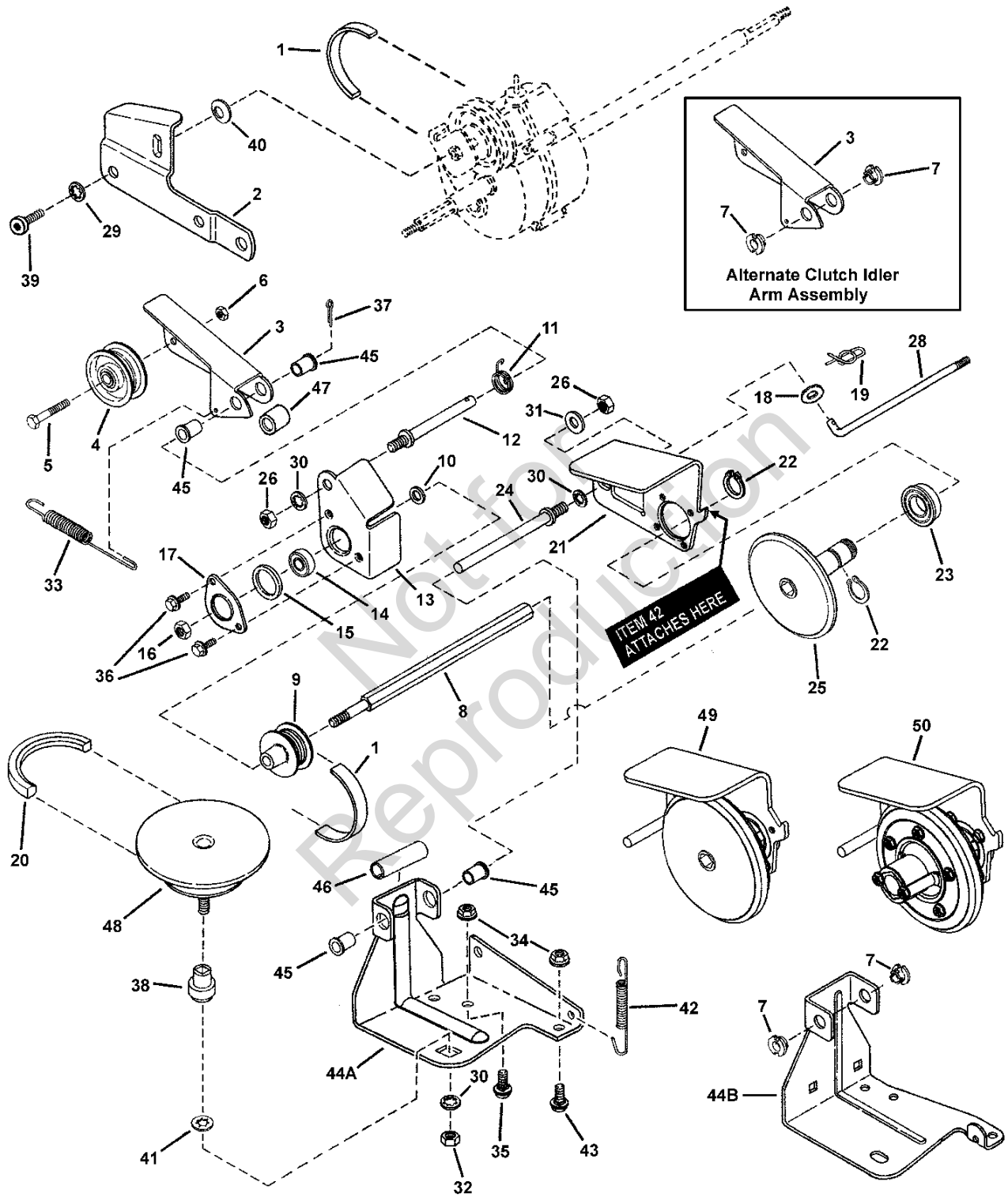
Wheel Brackets & Latches (Self-Propelled)



Wheel Brackets & Latches (Self-Propelled)

Item	Part No	Qty	Description
1	7091604	1	BOLT, 1/4-20 x 1/2" Short Neck Carriage GR 5 or 7090005
2	7029008	1	FOOT GUARD, Rear
3	7023791	1	RING, Split (Black)
4	7012616	1	SUPPORT, Foot Guard
5	7090053	1	WASHER, 1/4" Internal Tooth Lock or 7091023
6	7091576	1	NUT, 1/4-20 Hex, GR 5 or 7090063
7	7054246	1	ASSY, Wheel Arm, Right Rear (S.P.) or 7054230
8	7054247	1	ASSY, Wheel Arm Left Rear Long SP21S or 7054231
9	7051886	1	ASSEMBLY, Front Right Wheel Arm
10	7500038	1	ASSEMBLY, Front Left Wheel Arm (.512" Square Hole)
10	7051885	1	ASSEMBLY, Front Left Wheel Arm (.453" Square Hole) (used on 7800427 only)
11	7100633	4	GRIP, Height Latch
12	7035717	2	LATCH, Height Adjusting (long)
13	7011078	2	BOLT, 5/16-18 x 1" Hex Washer Face Shoulder
14	7032722	1	ARM, Wheel, Right Rear
15	7032723	1	ARM, Wheel, Left Rear
16	7012312	2	BEARING, 9/16" I.D.
17	7091012	6	SCREW, #10-32 x 3/8" Hex Washer Self-Tap
18	7011791	4	RETAINER, 5/16" Bolt
19	7091601	4	NUT, 5/16-18 Hex Flange Lock, GR 5
20	7012325	2	LATCH, Height
21	7015761	2	BOLT, 5/16-18 x 3/4" Hex Washer Face Shoulder
22	7031017	1	WHEEL ARM, R.H. Front (Round Hole)
23	7011393	1	WHEEL ARM, L.H. Front (.512" Square Hole)
23	7031016	1	WHEEL ARM, L.H. Front (.453" Square Hole) (used on 7800427 only)
24	7100752	1	AXLE, Front, Easy Line (3/8-16 Threads)
24	7021119	1	AXLE, Front, (7/16-20 Threads) (used on 7800427 only)
25	7100196	1	COVER, Front 21" walk
26	7900018	2	SCREW, Round Washer Head Torx, Hi-Lo

Footnotes:

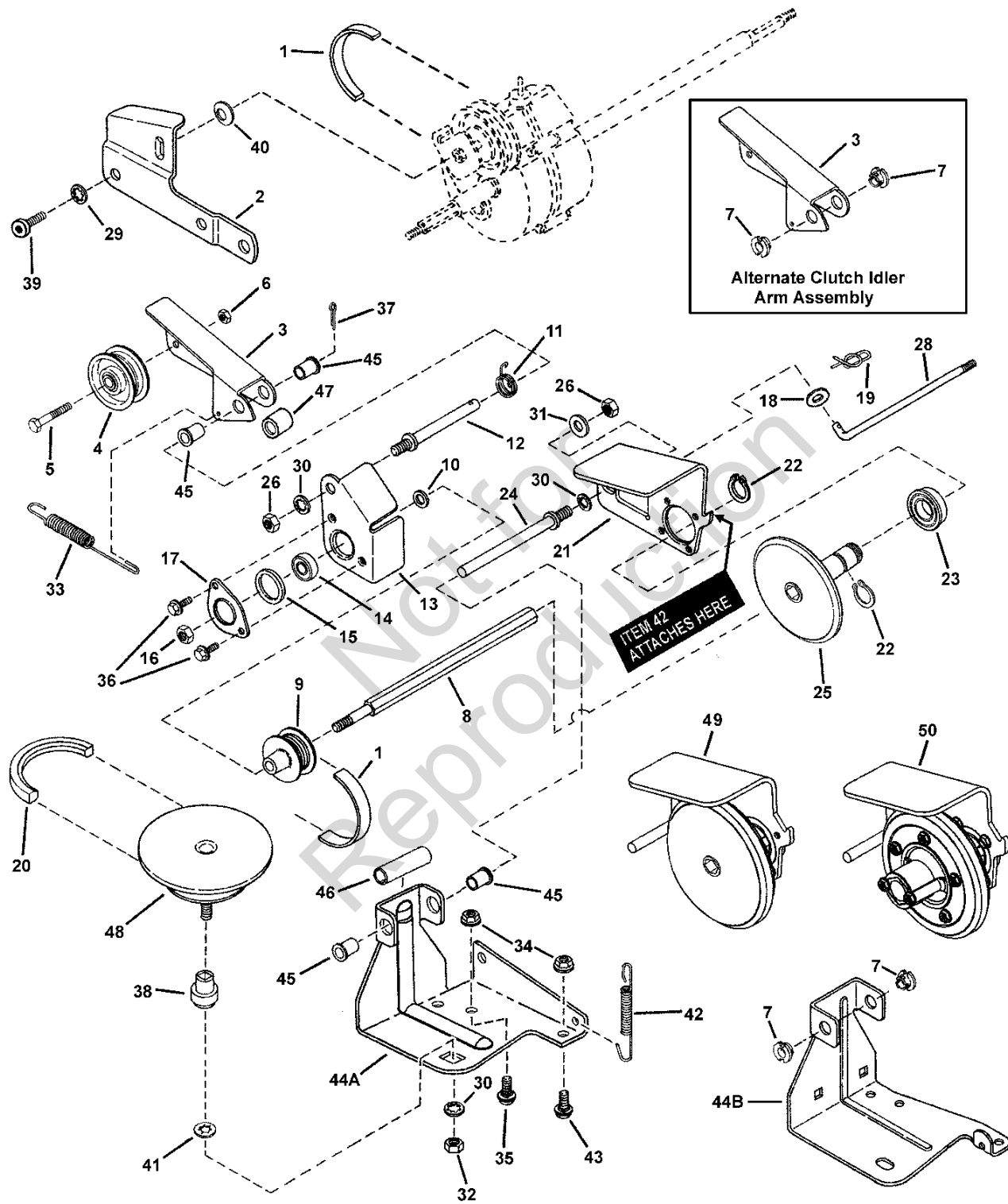


Drive System Self-Propelled

Item	Part No	Qty	Description
1	7012354	1	BELT, Poly-V
2	7034179	1	LINK, Differential (Comm.)
--	7051921		ASSEMBLY, Clutch Idler (Includes items 3 thru 7)
3	7032832	1	ARM, Clutch Idler
4	7012124	1	PULLEY, Idler, V21
5	7091025	1	SCREW, 1/4-28 x 1-3/8" Hex Head Cap, GR 5
6	7090303	1	NUT, 1/4-28 Hex Top Lock
7	7012117	4	BUSHING, 3/8" I.D. Nylon
8	7072284	1	SHAFT, Hex Drive
9	7024521	1	PULLEY, Poly-V (2" O.D.) for non-Commercial models
10	7090188	1	WASHER, 11/32" Flat
11	7012126	1	SPRING, Idler- Torsion
12	7012111	1	STUD, Idler (3/8-24 thread)
13	7031873	1	HOLDER, Bearing (Inner Half)
14	7028014	1	BALL BEARING, Spherical O.D., .38 I.D.
15	7011025	1	O-RING, V21
16	7090289	1	NUT, 3/8-24 Hex Center Lock, GR 5
17	7031809	1	HOLDER, Bearing (Outer Half)
18	7091294	1	WASHER, .28 x .63 x .06 Flat
19	7090673	1	COTTER PIN, .06 x .50 YZ or 7091629
20	7046784	1	BELT, Engine Drive (Stretch)
21	7501961		ASSYEMBLY, Thrust Plate & Bearing (includes item #'s 21 & 23)
21	7300977A	1	THRUST PLATE, Short was 7034281
22	7010746	2	RETAINING RING, .625 External
23	7026693	1	BALL BEARING, 3/4" Bore
24	7012125	1	GUIDE, Thrust Plate (3/8-24 thread)
25	7041855	1	DISC, Driven (Cantilever) ref: 7074139, Driven Disc Ass'y
26	7091630	2	NUT, 3/8-24 Hex
27	7090095	2	NUT, 1/4-28 Hex (not shown) see Handles & Controls page (item 40)
28	7074145	1	LINK, Transfer (1/4-28 thread)
29	7090391	1	WASHER, 5/16" Internal Tooth Lock
30	7090390	3	WASHER, 3/8" Internal Tooth Lock
31	7090122	1	WASHER, 3/8" Flat
32	7091302	1	NUT, 3/8-16 Hex
33	7012122	1	SPRING, Clutch - 21S
34	7090585	2	NUT, 5/16-18 Hex Flange Lock, GR 5 or 7091601
35	7090731	1	BOLT, 5/16-18 x 1/2", Short Neck Carriage, GR 5
36	7091122	2	SCREW, 1/4-20 x 1/2" Hex Flange Self-Tap or 7090539
37	7091597	1	COTTER PIN, 3/32 x 1/2" or 7090555
38	7017696	1	BUSHING, Powdered Metal
39	7091542	1	SCREW, 5/16-18 x 1/2" Pan Head Self-Tap (Torx)
40	7011724	1	WASHER, 44 x .78 x .025 Curved
41	7013847	1	RETAINER, 3/8" Bolt
42	7029025	1	SPRING, Wheel Drive

Footnotes:

NOTE: * Includes Steel Drive Disc Assy (7073528), Bushing (7013893), 3/8-16 Hex Nut (7091302) & item 38.



Drive System Self-Propelled

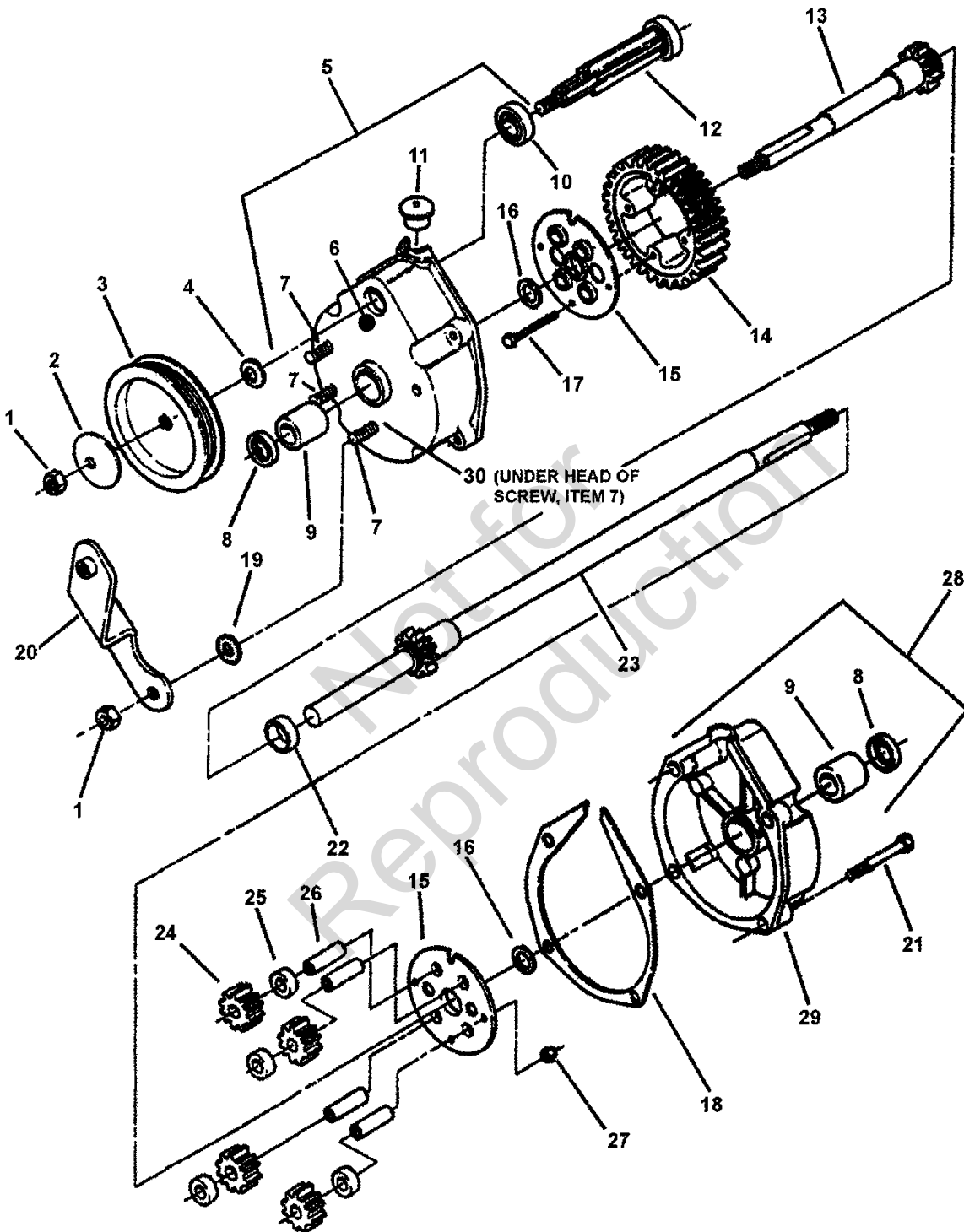
Item	Part No	Qty	Description
43	7090799	1	BOLT, 5/16-18 x 5/8" Short Neck Carriage GR 5 or 7091026
--	7059462	1	ASSEMBLY, Deck Bracket (Incl. items 7 & 44B) Used on the self-propelled models covered by this manual
44A	7031919	1	BRACKET, Deck - Replaced (Use # 44B and # 7 or #'s 45 & 46)
--	7052987		ASSEMBLY, Deck Bracket (Incl. items 44B, 45 & 46)
44B	7033774	1	BRACKET, Deck
45	7012306	2, 4	BUSHING, Flange, .381 x .625 x .62
46	7021758	1	SPACER, .500 x .65 x 1.75
47	7100447	1	SPACER, Idler Arm
48	7073528	1	DRIVE DISC, Steel
48	7061275		* KIT, Drive Disc Assembly
49	7074139		ASSEMBLY, Driven Disc (includes items 21-26, 30&31)
50	7501000		ASSEMBLY, Driven Disc - Commercial (Can be used instead of items 21-26, 30&31) was 7073390 or 7053225

Not for
Reproduction

Footnotes:

NOTE: * Includes Steel Drive Disc Assy (7073528), Bushing (7013893), 3/8-16 Hex Nut (7091302) & item 38.

Transmission (Differential)

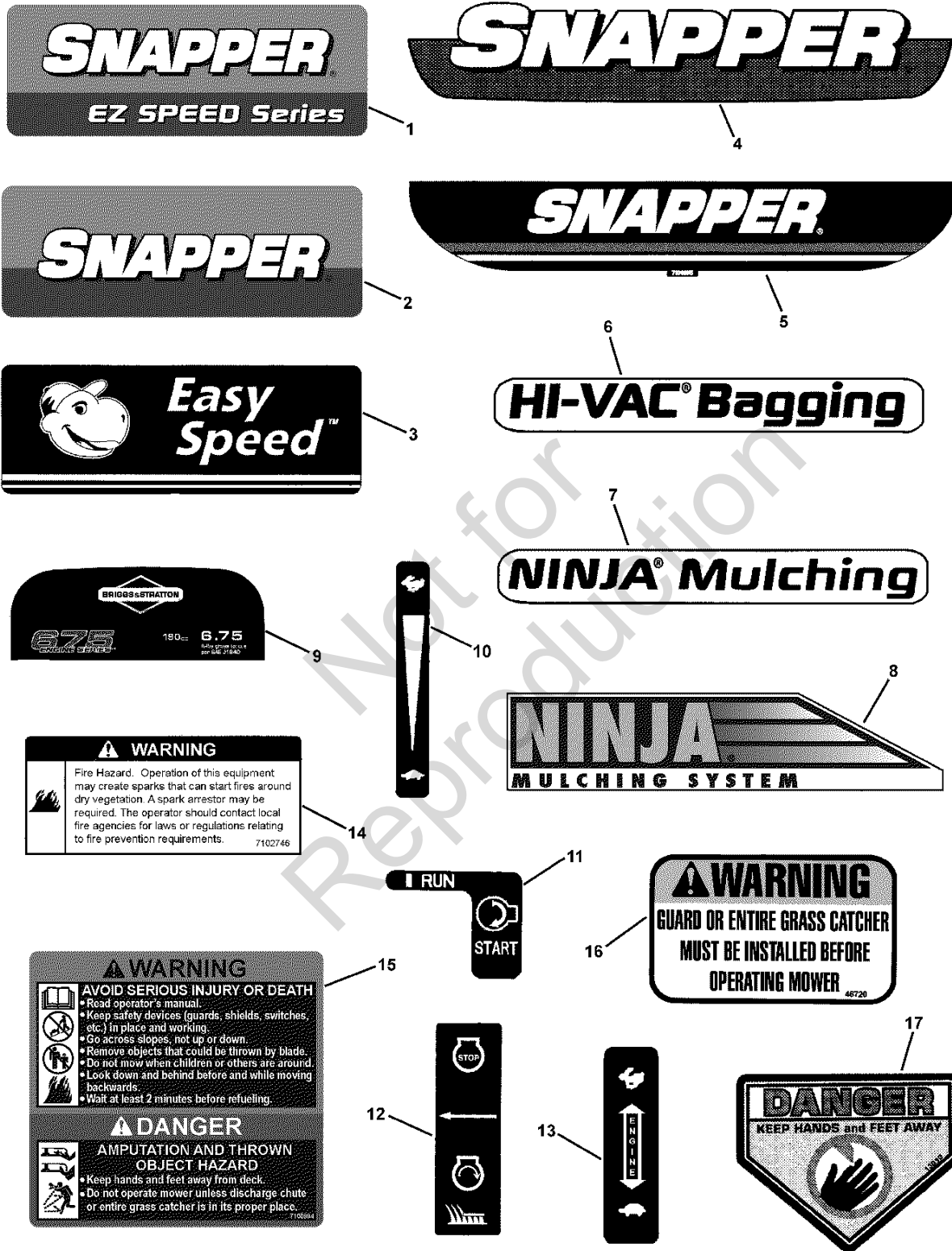


Transmission (Differential)

Item	Part No	Qty	Description
--	7053943	1	ASSEMBLY, Transmission (Incl. items 1 thru 30)
1	7092062	4	NUT, 5/16-18 Hex Lock
2	7092063	1	WASHER, Cone
3	7019213	1	PULLEY, Poly-V Belt (3.5" O.D.)
4	7011724	2	WASHER, 44 x .78 x .025 Curved
5	7053942	1	ASSEMBLY, Right Housing (Incl. items 6, 7, 8, 9, 10 & 30)
6	7029034	1	HOUSING, Right Side
7	7014155	3	SCREW, 5/16-24 x 1-1/8" Rib Neck, GR 5
8	7012314	2	SEAL, 5/8" Internal Diameter
9	7029035	2	BEARING, Tapered (Differential Housing)
10	7073963	1	BALL BEARING, 7/16 I.D., 1/1/8" O.D.
11	7016544	1	PLUG, Transmission Housing
12	7050767	1	ASSEMBLY, Input Gear
13	7050830	1	ASSEMBLY, Short Axle
14	7012495	1	GEAR, Differential (46 Tooth)
15	7031970	2	PLATE, 46T Gear
16	7031965	2	WASHER, Thrust, 3/4" I.D.
17	7090557	4	SCREW, #10-32 x 1-1/2" Hex Head Cap GR 5
18	7011774	1	GASKET, Housing
19	7090189	3	WASHER, 5/16" Internal/External Tooth Lock
20	7051903	1	WELDMENT, Differential Bracket
21	7091825	4	SCREW, 1/4-20 x 1" Hex washer Self-Tap
22	7012543	1	SPACER, Axle Gear
23	7050831	1	ASSEMBLY, Long Axle
24	7021115	4	GEAR, Pinion (12 tooth)
25	7012500	4	SPACER, Pinion Gear
26	7011110	4	SHAFT, Pinion
27	7090376	4	NUT, #10-32 Hex Nyloc
28	7053939	1	ASSY, Left Housing (Incl. items 8, 9 & 29)
29	7029033	1	HOUSING, Left
30	7024442	3	GASKET, 5/8" O. D.
--	7061017	4 oz.	* "00" Grease, 32 oz bottle not shown

Footnotes:

NOTE: * Maximum capacity of transmission before causing leakage behind pulley is 4 oz. DO NOT OVERFILL!



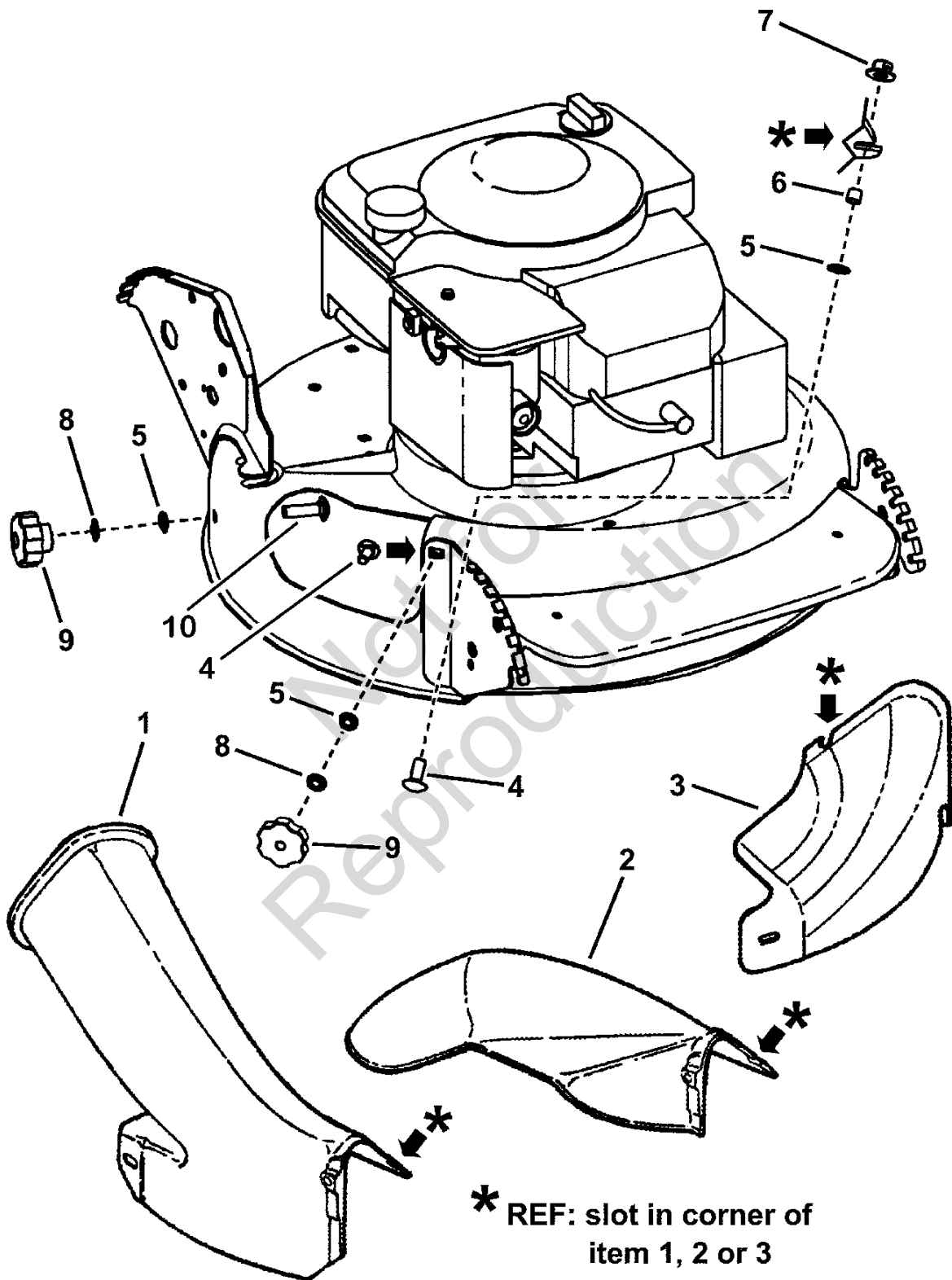
Decals

Item	Part No	Qty	Description
1	7102940	1	DECAL, Easy Speed, Control Panel
2	7102974	1	DECAL, Snapper Control Panel
3	7100183	1	DECAL, Easy Speed, Control Panel
4	7102153	1	DECAL, Briggs Engine, Snapper
5	7100185	1	DECAL, SNAPPER, Steel Decks
6	7102938	1	DECAL, Front Cover, Hi-Vac
7	7102939	1	DECAL, Front Cover, Ninja Mulching System
8	7100410	1	DECAL, NINJA Mulching System
9	7102151	1	DECAL, Briggs Engine, 675 Series
9	7103682	1	DECAL, Briggs Engine, 700 Series
10	7075471	1	DECAL, Speed Shift
11	7075688	1	DECAL, Ignition Switch
12	7029782	1	DECAL, OPC Bail (International Symbol)
13	7075532	1	DECAL, Throttle Control, B&S
14	7102746	1	DECAL, Spart Arrestor
15	7100984	1	DECAL, Warning/Danger Walk-Behind Mowers
16	7046720	1	DECAL, Chute/Deflector
17	7013010	1	DECAL, Danger, Cut Finger

Not for
Reproduction

Footnotes:

Side Chute, Adapter



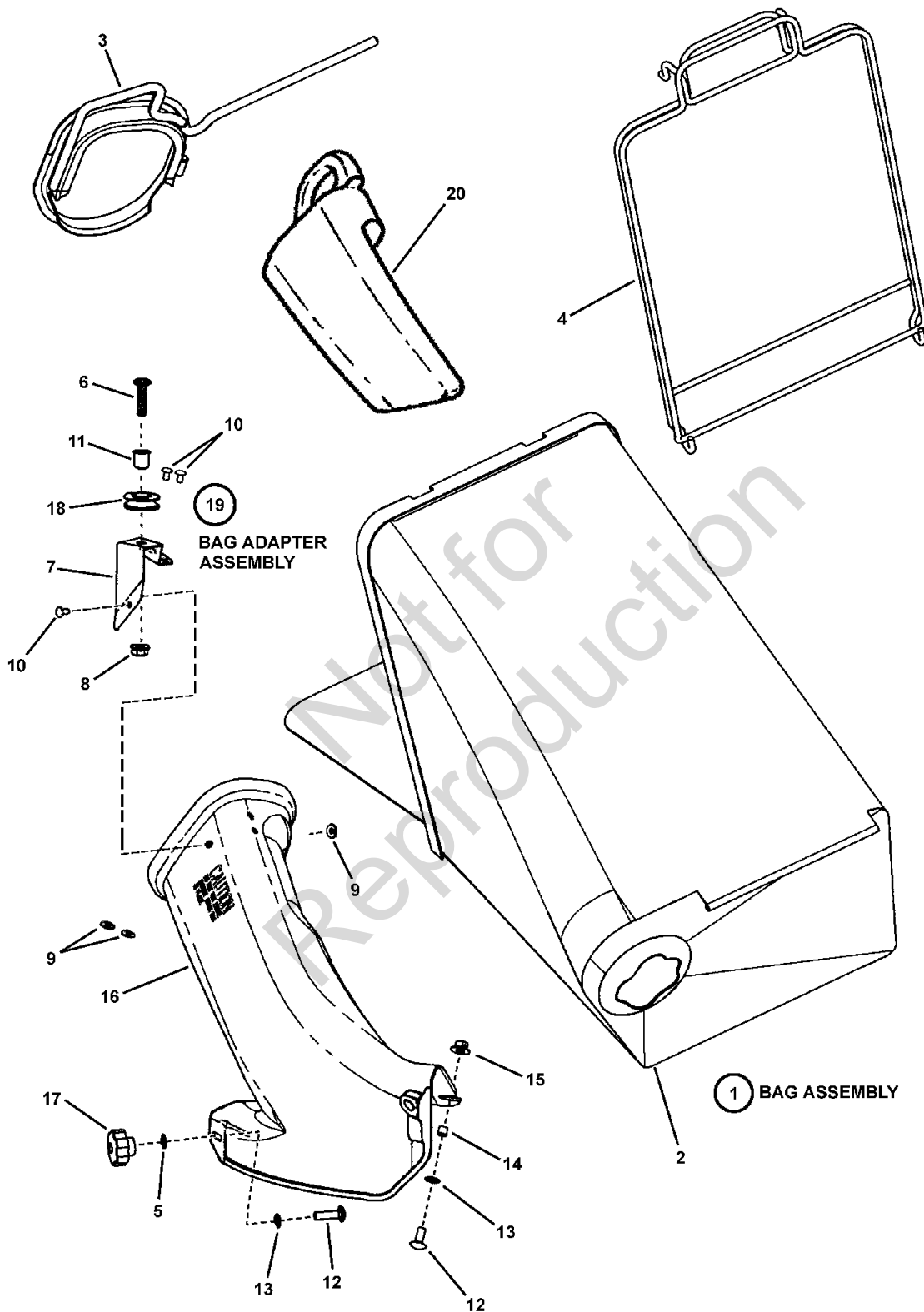
Side Chute, Adapter

Item	Part No	Qty	Description
1	7047081	1	ADAPTER, Grass Bag see Grass Bag Accessory page
2	7042965	1	CHUTE, 21" Side
3	7029149	1	COVER, 21" Deck
4	7091169	2	BOLT, 5/16-18 x 1-1/8" Short Neck Carriage GR 5 ZP
5	7011791	1	RETAINER, 5/16" Bolt
6	7024340	1	SPACER, .316 I.D. x .375 O.D. x .310 thick
7	7090951	1	NUT, 5/16-18 Hex Large Flange Center Lock
8	7090189	2	WASHER, 5/16" Internal/External Tooth Lock
9	7101022	2	KNOB, Fluted, 5/16-18 x 1/2"
10	7091508	1	BOLT, 5/16-18 x 3/4" Short Neck Carriage GR 5 was 7090001

Not for
Reproduction

Footnotes:

Grass Bag Components

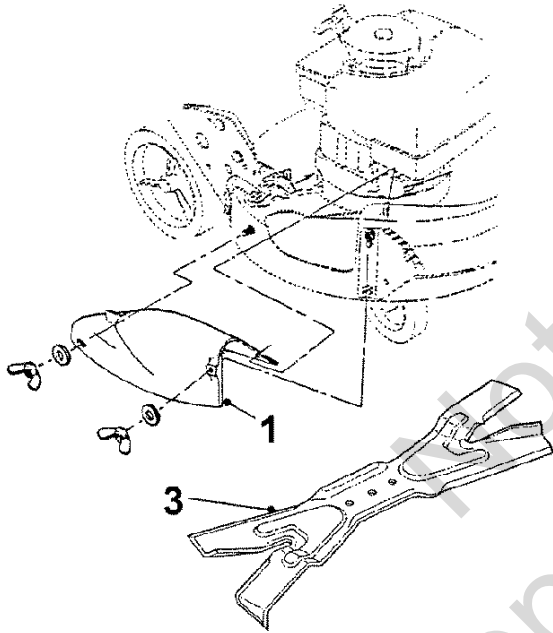


Grass Bag Components

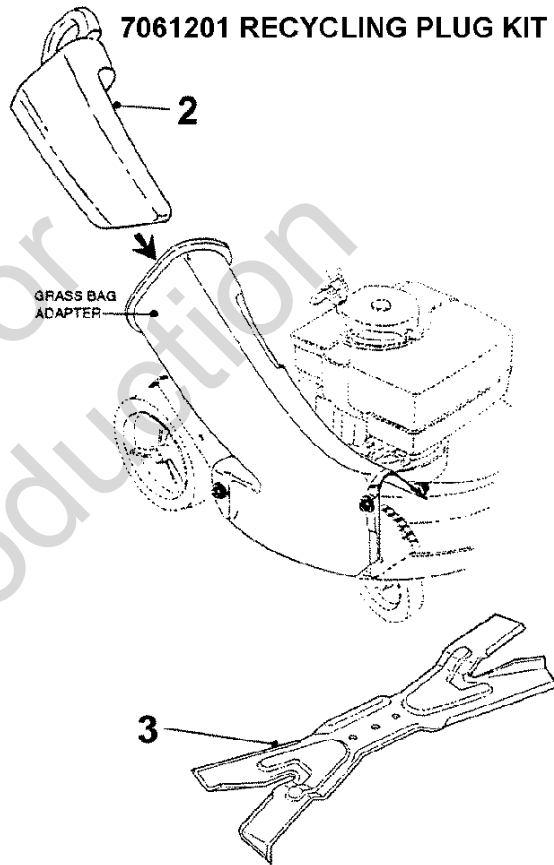
Item	Part No	Qty	Description
1	7500153	1	BAG ASSEMBLY, (Door) includes items 2, 3 & 4
2	7100433	1	GRASS BAG, (Door) No Graphics
3	7042489	1	CONNECTOR, Grass Bag (weldment)
4	7051906	1	ASSEMBLY, Bag Wire (12" Wide)
5	7090189	2	WASHER, 5/16" Internal/External Tooth Lock
6	7091527	1	SCREW, 5/16-18 x 1-1/4" Hex Head Cap was 7091984
7	7047082	1	BRACKET, Rope Guide
8	7091601	2	NUT, 5/16-18 Hex Flange Lock, GR 5 was 7091070
9	7072107	3	WASHER, 15/32" Flat
10	7013860	3	RIVET, 3/16 x .344
11	7012306	1	BUSHING, Flange, .381 x .625 x .62
12	7091508	3	BOLT, 5/16-18 x 3/4" Short Neck Carriage GR 5
13	7011791	3	RETAINER, 5/16" Bolt
14	7024340	1	SPACER, .316 I.D. x .375 O.D. x .310 thick
15	7090951	1	NUT, 5/16-18 Hex Large Flange Center Lock
16	7047081	1	ADAPTER, Grass Bag
17	7101022	2	KNOB, Fluted, 5/16-18 x 1/2"
18	7024228	1	PULLEY, Nylon
19	7058037	1	ASSY, Grass Bag Adapter includes items 6, 7, 8, 9, 10, 11, 16 & 18
20	7016814	1	PLUG, Chute Adapter

Footnotes:

7061200 RECYCLING COVER KIT



7061201 RECYCLING PLUG KIT

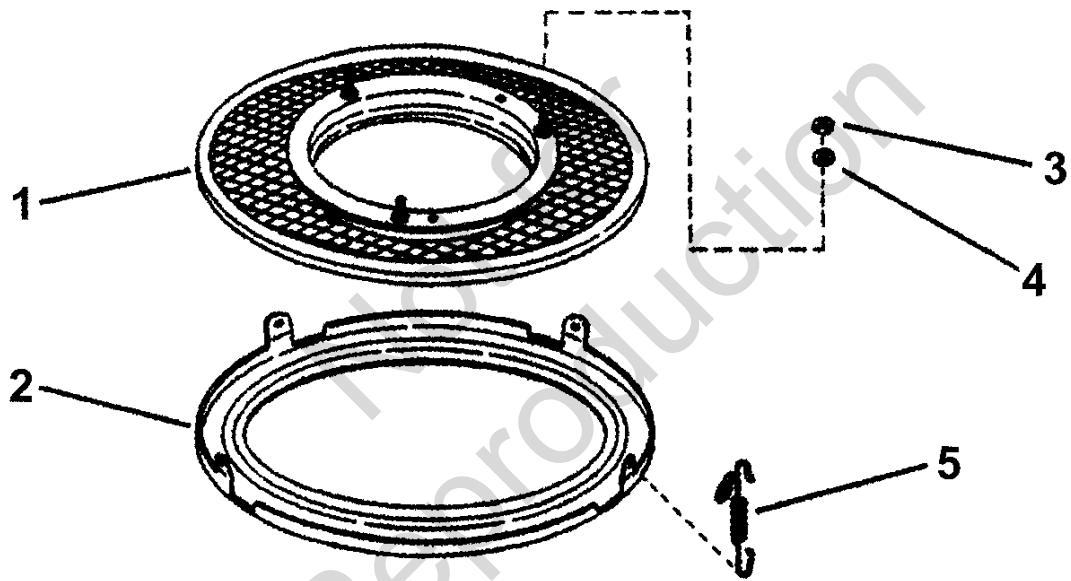


Accessory Recycling Kits

Item	Part No	Qty	Description
--	7061200		KIT, Recycling Cover (Includes items 1 & 3 shown below) for 4HP & above engines
--	7061201		KIT, Recycling Plug (Incl. items 2 & 3 shown below) for 4HP & above engines
1	7029149	1	COVER, 21" Deck
2	7016814	1	PLUG, Chute Adapter
3	7026407	1	BLADE, 21" Quad Edge Ninja

Not for
Reproduction

Footnotes:



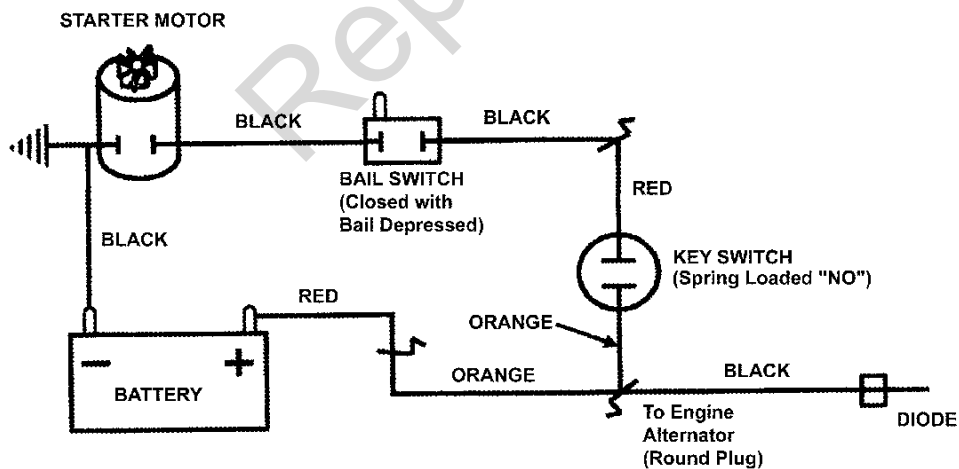
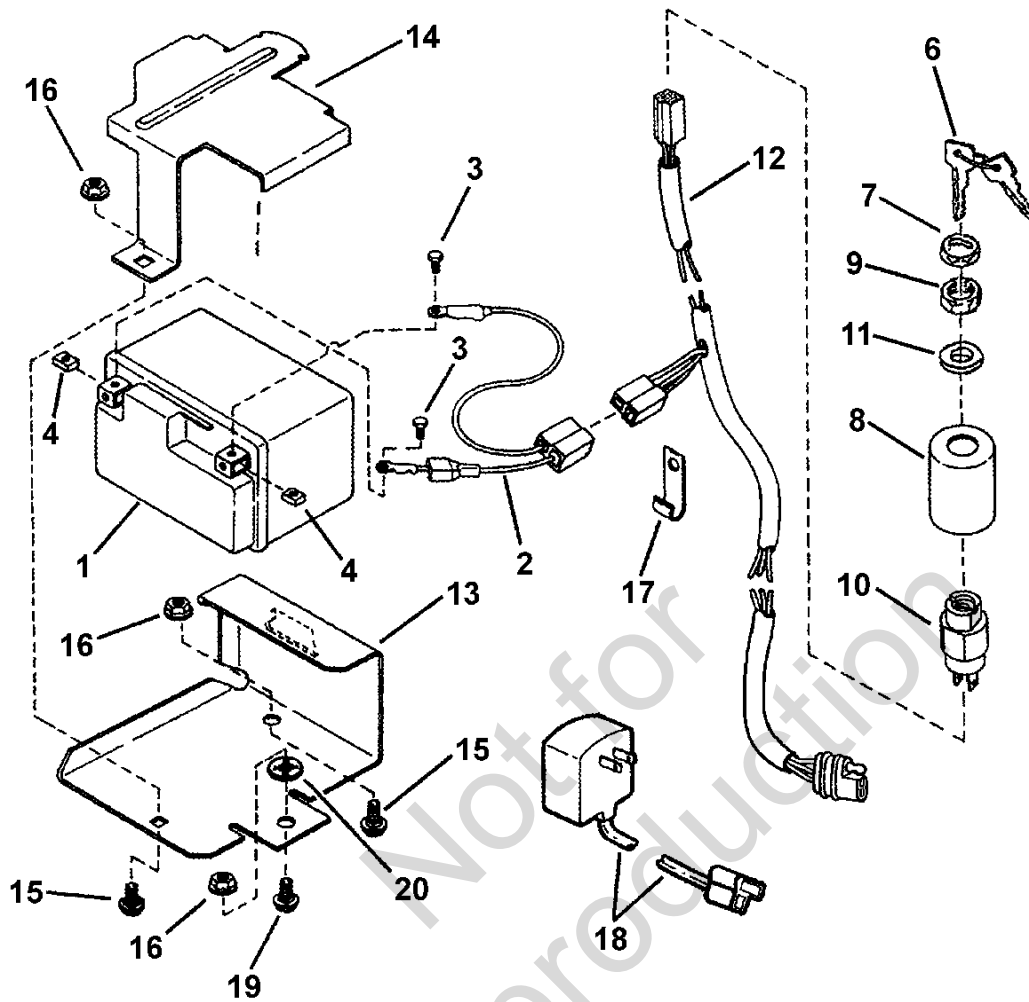
Accessory Snapperizer

Item	Part No	Qty	Description
--	7063041		KIT, Snapperizer (Incl. items 1 thru 5) (for "FR" & "M" type outlip decks)
1	7051243	1	SCREEN, Fastener Assembly
2	7072002	1	RING, Bottom (22.60" Inside Diameter)
3	7091297	3	NUT, 5/16-24 Hex, GR 5
4	7090187	3	WASHER, 5/16" Split Lock
5	7012587	3	SPRING

Not for
Reproduction

Footnotes:

Electric Start Components



BATTERY WIRING SCHEMATIC FOR BRIGGS ENGINE

Electric Start Components

Item	Part No	Qty	Description
1	7067012	1	KIT, BATTERY, 12 Volt, 35 CCA (includes items #1 and 2)
2	7015488	1	HARNESS, Battery
3	7043977	2	SCREW, #10-24 x 1/2" Pan Head Machine
4	7090932	2	NUT, #10-24 Square
6	7011138	1	KEY, (Set of Two)
7	7023506	1	BEZEL, (Seal & Face Nut)
8	7029080	1	COVER, Switch
9	7012685	1	NUT, 5/8-32 Hex Lock
10	7028765	1	SWITCH, Ignition (spring loaded ON/OFF 2 prong)
11	7016132	1	SPACER
12	7078025	1	WIRING HARNESS, B&S WBM
13	7032906	1	BRACKET, Battery
14	7036132	1	COVER, Battery
15	7090731	2	BOLT, 5/16-18 x 1/2" Short Neck Carriage GR 5
16	7090585	3	NUT, 5/16-18 Hex Flange Lock, GR 5
17	7012652	1	CLIP, Wiring
18	206838YP	1	CHARGER, Battery (120 Volt; 60 Hertz)
19	7090799	1	BOLT, 5/16-18 x 5/8" Short Neck Carriage GR 5
20	7011791	1	RETAINER, 5/16" Bolt

Not for
Reproduction

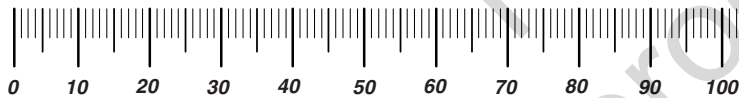
Footnotes:

Not for
Reproduction

Hardware Identification & Torque Specifications

Torque Specification Chart								
FOR STANDARD METRIC MACHINE HARDWARE (Tolerance ± 20%)								
Property Class	5.6		8.8		10.9		12.9	
	Class 5.6		Class 8.8		Class 10.9		Class 12.9	
Size Of Hardware	in/lbs		in/lbs		in/lbs		in/lbs	
	ft/lbs	Nm.	ft/lbs	Nm.	ft/lbs	Nm.	ft/lbs	Nm.
M3	5.88	.56	13.44	1.28	19.2	1.80	22.92	2.15
M4	13.44	1.28	30.72	2.90	43.44	4.10	52.56	4.95
M5	26.4	2.50	60.96	5.75	5.97	8.10	7.15	9.7
M6	44.64	4.3	7.3	9.9	10.3	14	12.1	16.5
M7	5.2	7.1	12.1	16.5	16.9	23	19.9	27
M8	7.7	10.5	17.7	24	25	34	29	40
M10	15	21	35	48	50	67	59	81
M12	26	36	61	83	86.2	117	103	140
M14	42	58	101	132	136	185	162	220
M16	64	88	147	200	210	285	250	340
M18	89	121	202	275	287	390	346	470
M20	126	171	290	390	405	550	486	660
M22	169	230	390	530	559	745	656	890
M24	217	295	497	375	708	960	840	1140
M27	320	435	733	995	1032	1400	1239	1680
M30	435	590	995	1350	1401	1900	1681	2280
M33	590	800	1349	1830	1902	2580	2278	3090
M36	759	1030	1740	2360	2441	3310	2935	3980
M39	988	1340	2249	3050	3163	4290	3798	5150

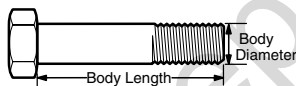
The guides and ruler furnished below are designed to help you select the appropriate hardware.



Nut, M8

Thread Diameter (mm)
Inside Diameter (in)
Threads per inch

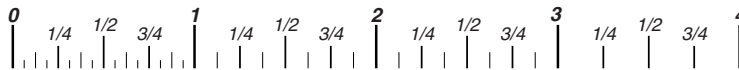
Nut, 1/2-16



Screw, M8- 1.25 x 25

Thread Diameter (mm)
Body Diameter
Distance between threads (mm)
Threads per inch
Body Length (mm)
Body Length (in)

Screw, 1/2- 16 x 2



Standard Hardware Sizing

When a washer or nut is identified as 1/2" (M8), this is the *Nominal size*, meaning the *inside diameter* is 1/2 inch (8mm metric thread diameter); if a second number is present it represents the *threads per inch* (distance between threads).

When bolt or capscrew is identified as 1/2 - 16 x 2" (M8 - 1.25 x 50), this means the *Nominal size*, or body diameter is 1/2 inch (8mm metric thread diameter), the second number, 16, represents the *threads per inch*, (1.25 thread diameter). The final number is the body length of the bolt or screw, 2 inches (50mm).

Torque Specification Chart						
FOR STANDARD MACHINE HARDWARE (Tolerance ± 20%)						
Hardware Grade	No Marks		SAE Grade 5		SAE Grade 8	
	SAE Grade 2		SAE Grade 5		SAE Grade 8	
Size Of Hardware	in/lbs		in/lbs		in/lbs	
	ft/lbs	Nm.	ft/lbs	Nm.	ft/lbs	Nm.
8-32	19	2.1	30	3.4	41	4.6
8-36	20	2.3	31	3.5	43	4.9
10-24	27	3.1	43	4.9	60	6.8
10-32	31	3.5	49	5.5	68	7.7
1/4-20	66	7.6	8	10.9	12	16.3
1/4-28	76	8.6	10	13.6	14	19.0
5/16-18	11	15.0	17	23.1	25	34.0
5/16-24	12	16.3	19	25.8	29	34.0
3/8-16	20	27.2	30	40.8	45	61.2
3/8-24	23	31.3	35	47.6	50	68.0
7/16-14	30	40.8	50	68.0	70	95.2
7/16-20	35	47.6	55	74.8	80	108.8
1/2-13	50	68.0	75	102.0	110	149.6
1/2-20	55	74.8	90	122.4	120	163.2
9/16-12	65	88.4	110	149.6	150	204.0
9/16-18	75	102.0	120	163.2	170	231.2
5/8-11	90	122.4	150	204.0	220	299.2
5/8-18	100	136	180	244.8	240	326.4
3/4-10	160	217.6	260	353.6	386	525.0
3/4-16	180	244.8	300	408.0	420	571.2
7/8-9	140	190.4	400	544.0	600	816.0
7/8-14	155	210.8	440	598.4	660	897.6
1-8	220	299.2	580	788.8	900	1,244.0
1-12	240	326.4	640	870.4	1,000	1,360.0

NOTES

- These torque values are to be used for all hardware excluding: locknuts, self-tapping screws, thread forming screws, sheet metal screws and socket head setscrews.
- Recommended seating torque values for locknuts:
 - for prevailing torque locknuts - use 65% of grade 5 torques.
 - for flange whizlock nuts and screws - use 135% of grade 5 torques.
- Unless otherwise noted on assembly drawings, all torque values must meet this specification.

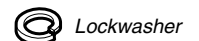
Common Hardware Types

Hex Head Capscrew



Washer

Carriage Bolt



Lockwasher



Hex Nut

Wrench & Fastener Size Guide

1/4" Bolt or Nut Wrench—7/16"	5/16" Bolt or Nut Wrench—1/2"	3/8" Bolt or Nut Wrench—9/16"	7/16" Bolt or Nut Wrench (Bolt)—5/8" Wrench (Nut)—11/16"	1/2" Bolt or Nut Wrench—3/4"
M6 Bolt or Nut Wrench—10mm	M8 Bolt or Nut Wrench—13mm	M10 Bolt or Nut Wrench—17mm	M12 Bolt or Nut Wrench—19mm	M14 Bolt or Nut Wrench—22mm

Parts Manual for

SNAPPER®

21" STEEL DECK WALK BEHIND MOWERS SERIES 20

Not for
Reproduction

IT IS THE POLICY OF BRIGGS & STRATTON CORP. TO IMPROVE ITS PRODUCTS WHENEVER IT IS POSSIBLE AND PRACTICAL TO DO SO. WE RESERVE THE RIGHT TO MAKE CHANGES OR ADD IMPROVEMENTS AT ANY TIME WITHOUT INCURRING ANY OBLIGATION TO MAKE SUCH CHANGES ON PRODUCTS MANUFACTURED

Briggs & Stratton Yard Power Products Group

535 Macon Road
McDonough, GA, 30253 U.S.A.
800-935-2967

www.snapper.com

Copyright © 2010 Briggs & Stratton Corporation
Milwaukee, WI USA. All Rights Reserved

**Manual No. 7006477
Revision: E 1/20/2010**