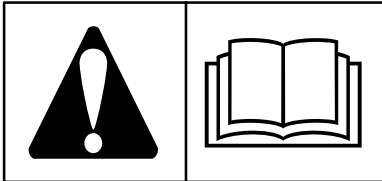
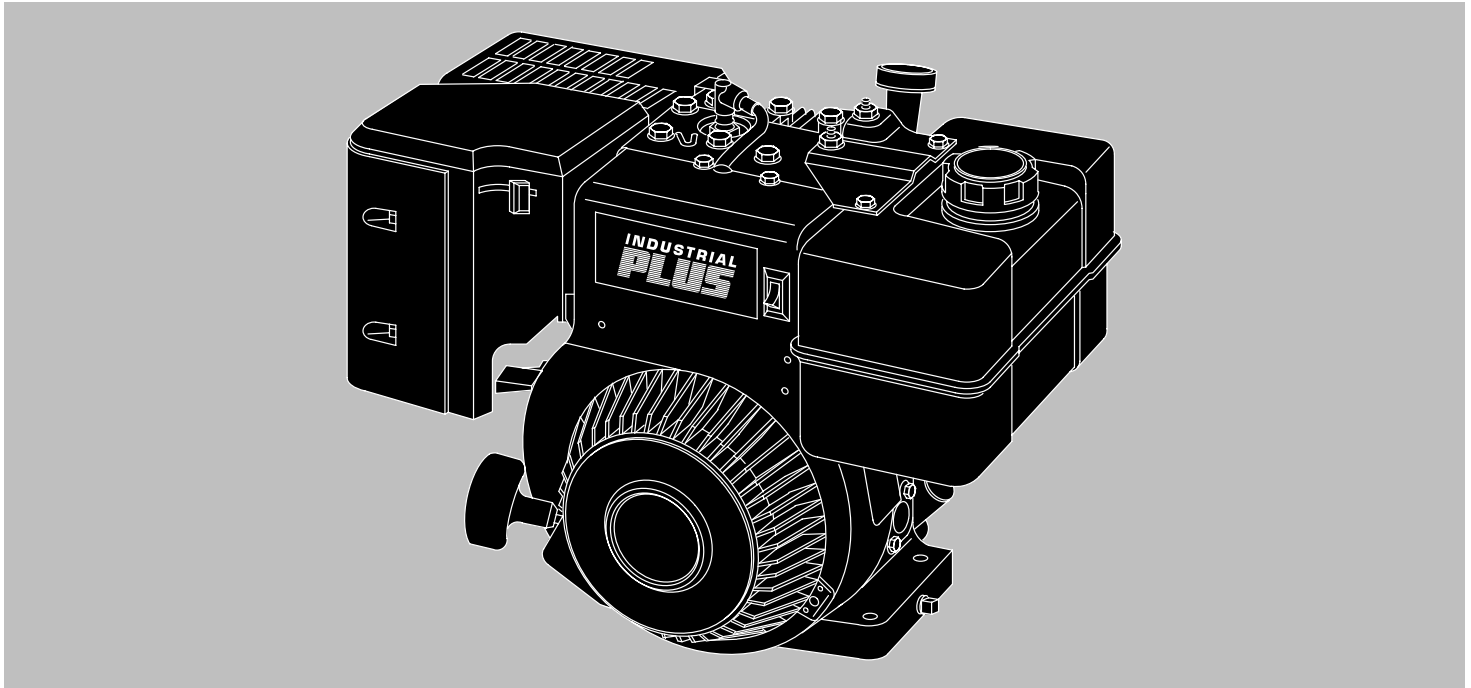


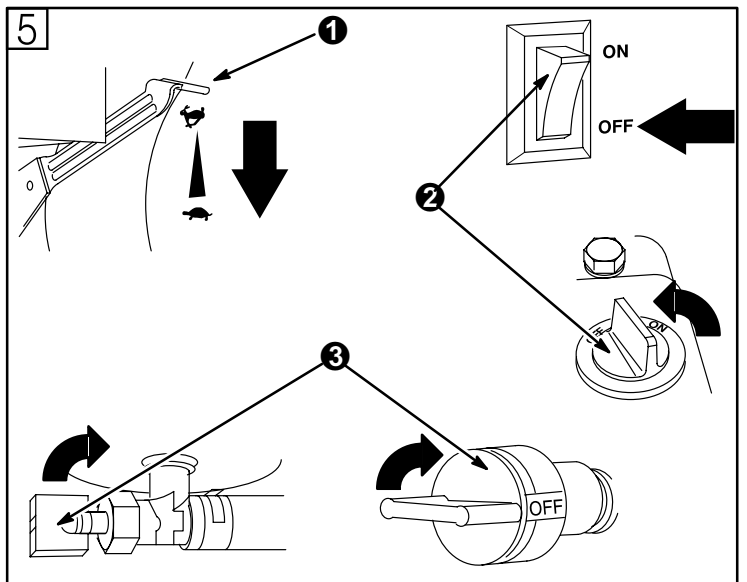
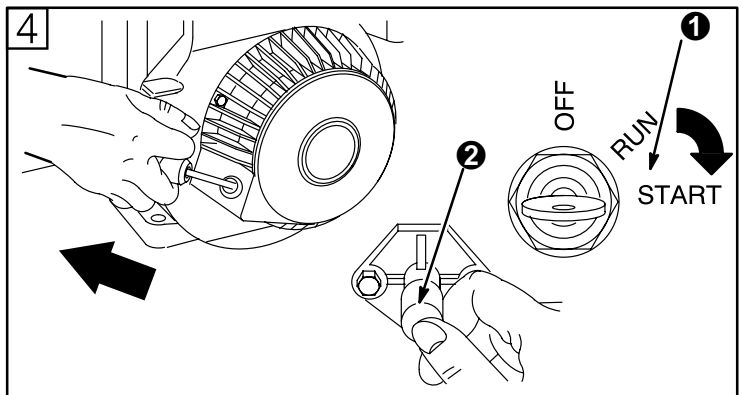
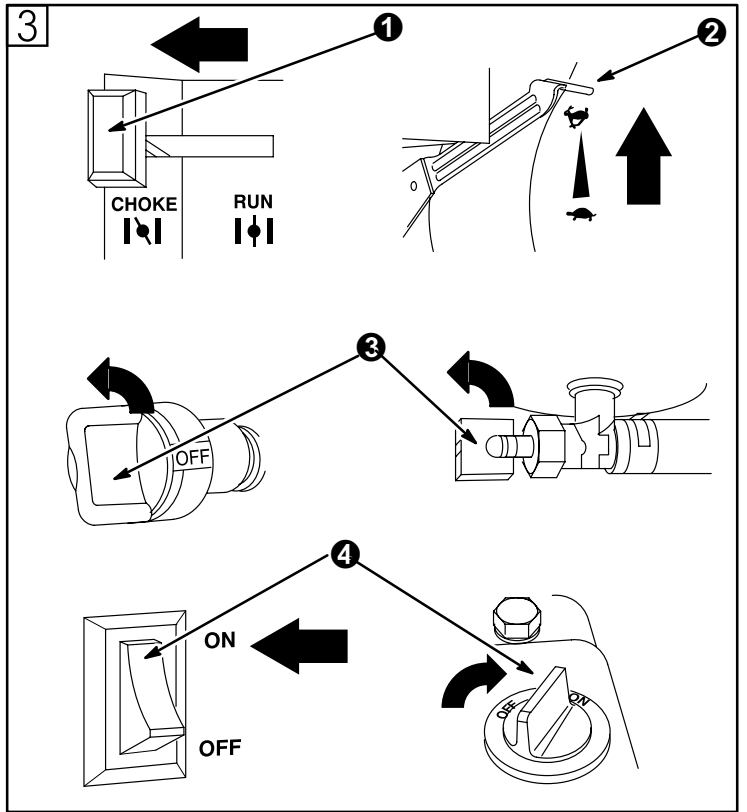
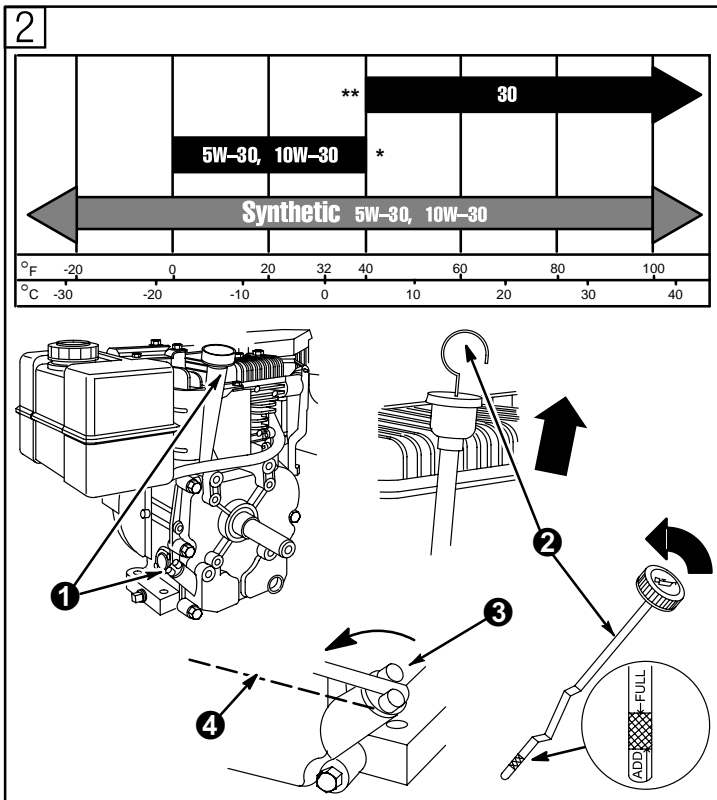
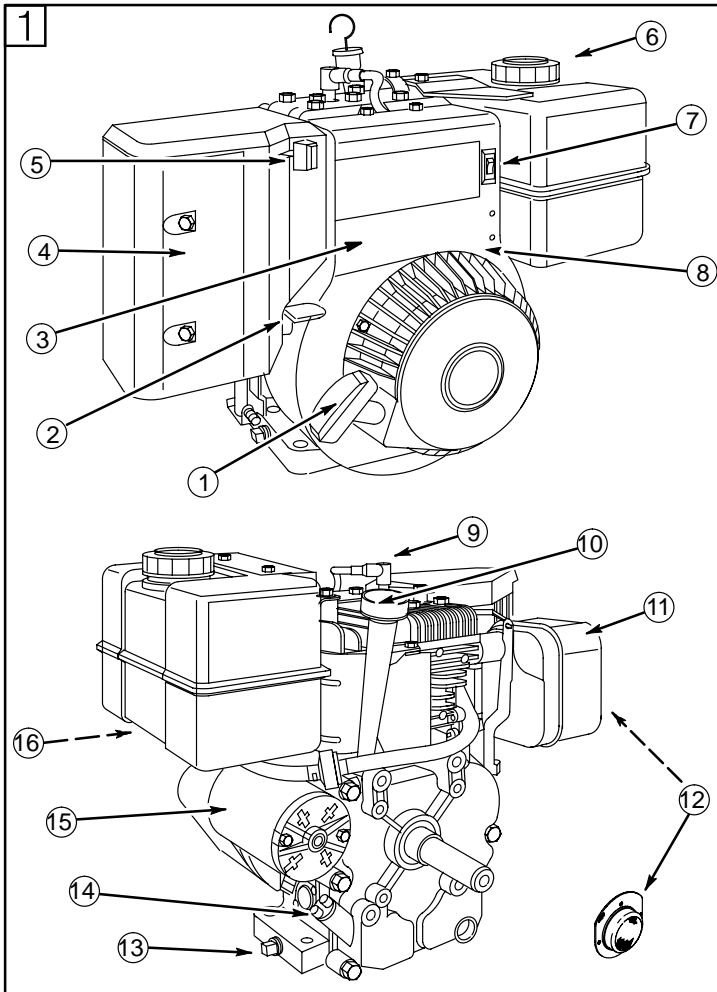


**19E400, 19F400, 19G400, 192400, 196400, 197400,  
250400, 256400, 257400**



- (GB) *Operating & Maintenance Instructions***
- (D) *Betriebsanleitung & Wartungsvorschriften***
- (DK) *Drifts- og vedligeholdelsesvejledning***
- (E) *Instrucciones de Mantenimiento & Operación***
- (F) *Instructions d'utilisation et de maintenance***
- (GR) *Οδηγίες Λειτουργίας & Συντήρησης***
- (I) *Istruzioni per l'uso e la manutenzione***
- (N) *Anvisninger for bruk og vedlikehold***
- (NL) *Gebruiksaanwijzing***
- (P) *Instruções de operação e de manutenção***
- (S) *Instruktionsbok***
- (SF) *Käyttö & Huolto-ohjeet***





Note: (This note applies only to engines used in the U.S.A.) Maintenance, replacement or repair of the emission control devices and systems may be performed by any nonroad engine repair establishment or individual. However, to obtain no charge repairs under the terms and provisions of the Briggs & Stratton warranty statement, any service or emission control part repair or replacement must be performed by a factory authorized dealer.



## How To Use Manual Figures

1 - 9 refer to figures inside covers.

1 - 19 refer to engine components in figure 1.

1 - 9 refer to part/action in figures.

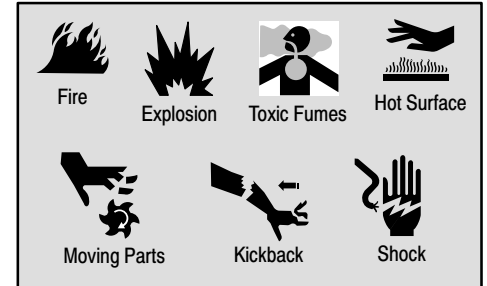
Record your engine Model, Type and Code numbers here for future use.

Record your date of purchase here for future use.

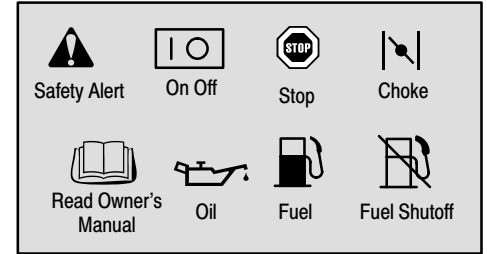
## Engine Components (see fig. 1)

- 1 Rope handle
- 2 Throttle control
- 3 **Engine**      **Model**      **Type**      **Code**  
                  xxxxxx      xxxx xx      xxxxxxxx
- 4 Air cleaner
- 5 Choke control
- 6 Fuel fill
- 7 Stop switch/Oil Gard®, if equipped
- 8 Blower housing
- 9 Spark plug wire
- 10 Oil fill/Dipstick
- 11 Muffler
- 12 Spark arrester, if equipped
- 13 Drain plug
- 14 Oil filler plug
- 15 12V electric starter, if equipped
- 16 Fuel shut-off valve, if equipped.

## Hazard Symbols and Meanings



## International Symbols and Meanings



## Safety Precautions

**BEFORE OPERATING ENGINE**

- Read entire Operating & Maintenance Instructions AND the instructions for the equipment this engine powers.\*
- Failure to follow instructions could result in serious injury or death.

**THE OPERATING & MAINTENANCE INSTRUCTIONS CONTAIN SAFETY INFORMATION TO**

- Make you aware of hazards associated with engines
- Inform you of the risk of injury associated with those hazards, and
- Tell you how to avoid or reduce the risk of injury.

\* Briggs & Stratton does not necessarily know what equipment this engine will power. For that reason, you should carefully read and understand the operating instructions for the equipment on which your engine is placed.

The safety alert symbol is used to identify safety information about hazards that can result in personal injury. A signal word (DANGER, WARNING, or CAUTION) is used with the alert symbol to indicate the likelihood and the potential severity of injury. In addition, a hazard symbol may be used to represent the type of hazard.

**DANGER** indicates a hazard which, if not avoided, will result in death or serious injury.


**WARNING** indicates a hazard which, if not avoided, could result in death or serious injury.


**CAUTION** indicates a hazard which, if not avoided, might result in minor or moderate injury.

**CAUTION**, when used **without** the alert symbol, indicates a situation that **could result in damage to the engine**.

**WARNING**

The engine exhaust from this product contains chemicals known to the State of California to cause cancer, birth defects, or other reproductive harm.

 **WARNING**



Gasoline and its vapors are extremely flammable and explosive.

Fire or explosion can cause severe burns or death.

**WHEN ADDING FUEL**

- Turn engine OFF and let engine cool for at least 2 minutes before removing gas cap.
- Fill fuel tank outdoors or in well-ventilated area.
- Do not overfill fuel tank. Fill tank to approximately 1-1/2 inches below top of neck to allow for fuel expansion.
- Keep gasoline away from sparks, open flames, pilot lights, heat, and other ignition sources.
- Check fuel lines, tank, cap, and fittings frequently for cracks or leaks. Replace if necessary.

**WHEN STARTING ENGINE**

- Make sure spark plug, muffler, fuel cap and air cleaner are in place.
- Do not crank engine with spark plug removed.
- If fuel spills, wait until it evaporates before starting engine.
- If engine floods, set choke to OPEN/RUN position, place throttle in FAST and crank until engine starts.

**WHEN OPERATING EQUIPMENT**


- Do not tip engine or equipment at angle which causes gasoline to spill.
- Do not choke carburetor to stop engine.


**WHEN TRANSPORTING EQUIPMENT**

- Transport with fuel tank EMPTY or with fuel shut-off valve OFF.

**WHEN STORING GASOLINE OR EQUIPMENT WITH FUEL IN TANK**

- Store away from furnaces, stoves, water heaters or other appliances that have pilot light or other ignition source because they can ignite gasoline vapors.


 **WARNING**




Engines give off carbon monoxide, an odorless, colorless, poison gas.

Breathing carbon monoxide can cause nausea, fainting or death.

- Start and run engine outdoors.
- Do not start or run engine in enclosed area, even if doors or windows are open.

 **WARNING**



Unintentional sparking can result in fire or electric shock.


Unintentional start-up can result in entanglement, traumatic amputation, or laceration.


**BEFORE PERFORMING ADJUSTMENTS OR REPAIRS**

- Disconnect spark plug wire and keep it away from spark plug.
- Disconnect battery at negative terminal (only engines with electric start).

**WHEN TESTING FOR SPARK**

- Use approved spark plug tester.
- Do not check for spark with spark plug removed.

 **WARNING**



Running engines produce heat. Engine parts, especially muffler, become extremely hot.

Severe thermal burns can occur on contact.

Combustible debris, such as leaves, grass, brush, etc. can catch fire.

- Allow muffler, engine cylinder and fins to cool before touching.
- Remove accumulated combustibles from muffler area and cylinder area.
- Install and maintain in working order a spark arrester before using equipment on forest-covered, grass-covered, brush-covered unimproved land. The state of California requires this (Section 4442 of the California Public Resources Code). Other states may have similar laws. Federal laws apply on federal land.


 **WARNING**




Rotating parts can contact or entangle hands, feet, hair, clothing, or accessories.

Traumatic amputation or severe laceration can result.

- Operate equipment with guards in place.
- Keep hands and feet away from rotating parts.
- Tie up long hair and remove jewelry.
- Do not wear loose-fitting clothing, dangling drawstrings or items that could become caught.

 **WARNING**





Starting engine creates sparking.

Sparking can ignite nearby flammable gases.

Explosion and fire could result.

- If there is natural or LP gas leakage in area, do not start engine.
- Do not use pressurized starting fluids because vapors are flammable.

 **WARNING**



Rapid retraction of starter cord (kickback) will pull hand and arm toward engine faster than you can let go.

Broken bones, fractures, bruises or sprains could result.


- When starting engine, pull cord slowly until resistance is felt, then pull rapidly.
- Remove all external equipment/engine loads before starting engine.
- Direct coupled equipment components such as, but not limited to, blades, impellers, pulleys, sprockets, etc., must be securely attached.

## Oil Recommendations (see fig. [2])


Engine shipped from Briggs & Stratton without oil. Before starting engine, fill with oil. Do not over-fill.

Use a high quality detergent oil classified "For Service SF, SG, SH, SJ" or higher such as Briggs & Stratton 30W, Part Number 100005 (20 oz.) or 100028 (48 oz.). Use no special additives with recommended oils. Do not mix oil with gasoline.

Choose the SAE viscosity grade of oil from this chart that matches the starting temperature anticipated before the next oil change.



**Note:** Synthetic oil meeting ILSAC GF-2, API certification mark and API service symbol (shown at left) with "SJ/CF ENERGY CONSERVING" or higher, is an acceptable oil at all temperatures. **Use of synthetic oil does not alter required oil change intervals.**



FOR GASOLINE ENGINES

- \* Air cooled engines run hotter than automotive engines. The use of non-synthetic multi-viscosity oils (5W-30, 10W-30, etc.) in temperatures above 40° F (4° C) will result in higher than normal oil consumption. When using a multi-viscosity oil, check oil level more frequently.
- \*\* SAE 30 oil, if used below 40° F (4° C), will result in hard starting and possible engine bore damage due to inadequate lubrication.

**Check oil level.** Model Series oil capacity is about:  
1.3 ltr or 44 oz. for Models 170000 and 190000.  
1.4 ltr or 48 oz. for Model 250000.

Place engine level and clean around oil fill ①.

Remove dipstick ②, wipe with clean cloth, insert and tighten down again. Remove dipstick and check oil level. Oil should be at FULL mark. If oil is required, add slowly. Do not over-fill.

OR

Remove oil filler plug ③. Oil should be full to overflowing ④.

Tighten dipstick or oil filler plug firmly before starting engine.

## Fuel Recommendations

Use clean, fresh, lead-free gasoline with a minimum of 77 octane. Leaded gasoline may be used if it is commercially available and if unleaded is unavailable. Purchase fuel in quantity that can be used within 30 days. See **Storage**.

In U.S.A. leaded gasoline may not be used. Some fuels, called oxygenated or reformulated gasolines, are gasolines blended with alcohols or ethers. Excessive amounts of these blends can damage the fuel system or cause performance problems. If any undesirable operating symptoms occur, use gasoline with a lower percentage of alcohol or ether.

This engine is certified to operate on gasoline. Exhaust Emission Control System: EM (Engine Modifications).

Do not use gasoline which contains Methanol. Do not mix oil with gasoline.

For engine protection, we recommend using Briggs & Stratton Fuel Stabilizer available from an Authorized Briggs & Stratton Service Dealer.

## Check fuel level.



Before refueling, allow engine to cool 2 minutes.

Clean around fuel fill before removing cap to refuel. Fill tank to approximately 1-1/2 inches below top of neck to allow for fuel expansion. Be careful not to overfill.

## Starting (see figs. [3] [4])



ALWAYS KEEP HANDS AND FEET CLEAR OF EQUIPMENT MOVING PARTS.



Do not use a pressurized starting fluid. Vapors are flammable.

Start, store and fuel equipment in level position.

Check oil level.

Open fuel shut-off valve, if equipped.

**CAUTION: OIL GARD®**, if equipped, (see ⑦ fig. [1]) is intended to prevent starting an engine that is low on oil. **OIL GARD®** may not shut down a running engine. Engine damage may occur if oil level is not properly maintained and will void warranty coverage. Always check oil level before starting engine.

If engine is equipped with **OIL GARD®**, and if engine runs low on oil, light on engine warns of low oil level. If light flickers and engine cannot be started, or has stopped and cannot be restarted, add oil. Fill to point of overflowing at oil fill cap or to FULL mark on dipstick. Do not over-fill.

## Before starting (see fig. [3])

1. Move choke control ① to CHOKE position.
2. Move throttle control ② to FAST position, if equipped.
3. Turn fuel shut-off valve ③ ON, if equipped.
4. Move stop control ④ to ON position, if equipped.

Note: If engine is equipped with Oil Gard®, flickering light in rocker stop switch ④ will warn of low oil level or engine will stop and not be able to be restarted. Add oil. Fill to FULL mark on dipstick (do not over-fill) or to overflowing at oil filler plug.

## Rewind starter (see fig. [4])



Grasp rope handle and pull slowly until resistance is felt. Then pull cord rapidly to overcome compression, prevent kickback and start engine. Repeat if necessary with choke in RUN position throttle in FAST. When engine starts, operate in FAST.

## Electric starter (see fig. [4])

On engines equipped with 12 volt starting systems, turn key to START position ① or depress starter button ②. Repeat if necessary with choke in RUN position and throttle control in FAST position. When engine starts, operate in FAST position.

Note: If equipment manufacturer has supplied battery, charge it before trying to start engine, as equipment manufacturer recommends.

Note: Use short starting cycles (15 secs. per min.) to prolong starter life. Extended cranking can damage starter motor.

## Stopping (see fig. [5])

Do not move choke control to CHOKE position to stop engine. Backfire or engine damage may occur. Move throttle control to IDLE or SLOW position ①, if equipped. Then turn key to OFF or move stop control to OFF position ②. Close fuel shut-off valve ③.

Note: Always remove key from switch when equipment is not in use or left unattended.

Note: When engine is transported, close fuel shut-off valve to prevent leakage.

## Adjustments (see fig. [6])



To prevent accidental starting, remove spark plug wire ① and ground

it before adjusting, and disconnect battery at negative terminal, if equipped.

## Throttle control adjustments (see fig. [6])

### Manual friction control

Loosen or tighten wing nut ② on control plate until throttle control ③ moves with some resistance and still remains in desired position when engine is running.

### Remote control

Loosen casing clamp screw ④. Move casing and wire ⑤ in direction of arrow to end of travel. Move throttle control to FAST position. Tighten casing clamp screw.

### Fixed governor control

Top speed adjusting screw ⑥ has been pre-set at the factory as specified by equipment manufacturer. DO NOT ADJUST. If adjustment is required, consult any Briggs & Stratton Authorized Service Dealer.

### Carburetor adjustment



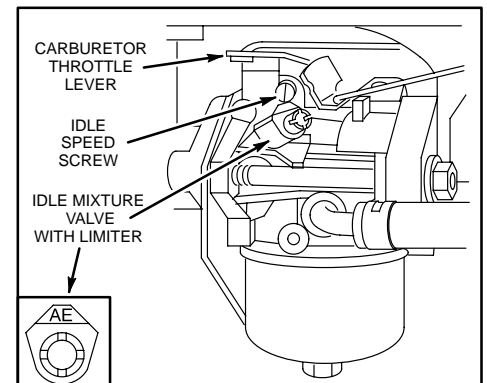
The manufacturer of the equipment on which this engine is installed specifies top speed at which the engine will be operated. DO NOT EXCEED this speed.

See an Authorized Briggs & Stratton Dealer for carburetor adjustment.

Start engine and warm up approximately 5 minutes before adjusting. With engine running, place throttle control in SLOW position. Rotate carburetor throttle lever against the idle speed screw and hold it. Turn idle speed screw to obtain 1750 rpm.

Rotate idle mixture valve full travel clockwise and then counterclockwise. Finally, position idle mixture valve in middle of travel. Check idle speed and re-adjust to 1750 rpm, if necessary.

Move throttle control to FAST position. Engine should accelerate smoothly. If it does not, adjust idle mixture valve counterclockwise 1/8 turn.



## Maintenance (see figs. 7 8 9)

See **Maintenance Schedule**. Follow the hourly or calendar intervals, **whichever occur first**. More frequent service is required when operating in adverse conditions.



To prevent accidental starting, remove spark plug wire 1 and ground it before servicing,

and disconnect battery at negative terminal, if equipped.

### Oil service (see fig. 7)

Check oil level regularly.

Be sure correct oil level is maintained. Check every 5 hours or daily, before starting engine. See oil filling procedure under **Oil Recommendations**.

### Change oil.

Change oil after first 5 hours of operation. Change oil while engine is warm. Refill with new oil of recommended SAE viscosity grade. (see fig. 2)

### Gear reduction, if equipped

Remove oil fill plug 2 and oil level plug 3. Drain oil every 100 hours of operation or every season. To refill, pour SAE 30 oil into oil fill hole until it runs out level check hole. Replace both plugs. Oil fill plug has a vent hole 4 and must be installed on top of gear case cover.

### Air cleaner service (see fig. 8)

Replace pre-cleaner 2 and/or cartridge 3 if very dirty or damaged.

1. Loosen screws. Then remove cover and air cleaner assembly from base.
2. Remove air cleaner assembly from inside of cover and disassemble.

To service pre-cleaner, wash in liquid detergent and water. Squeeze dry in a clean cloth. Saturate in engine oil. Squeeze in clean, absorbent cloth to remove ALL EXCESS oil.

To service cartridge, clean by tapping gently on a flat surface. Do not use petroleum solvents, e.g., kerosene, which will cause cartridge to deteriorate. Do not use pressurized air, which can damage cartridge. Do not oil cartridge.

3. Install retainer 4, pre-cleaner (screen side of pre-cleaner toward cartridge pleats) and cartridge in cover.
4. Insert tabs 5 on cover into slots 6 in base. Tighten cover screws securely.

### Spark plug service (see fig. 8)



DO NOT check for spark with spark plug removed. Use only Briggs & Stratton Spark Tester 6, to check for spark.

DO NOT crank engine with spark plug removed. If engine is flooded, place throttle in FAST and crank until engine starts.

Spark plug gap 7 should be 0.76 mm or 0.030 in.

Clean/replace spark plug every 100 hours or every season, whichever occurs first. Spark tester and spark plug wrench are available from any Authorized Briggs & Stratton Service Dealer.

Note: On Model Series 19E400, 19F400, 19G400 engines use only spark plug, Part No. 496018. On Model Series 192400, 196400, 197400, 250400, 256400, 257400 engines use standard spark plug, Part No. 492167 or resistor spark plug, Part No. 802592, as required.

Note: In some areas, local law requires using a resistor spark plug to suppress ignition signals. If this engine was originally equipped with resistor spark plug, use same type of spark plug for replacement.

### Keep engine clean (see fig. 9)

Periodically remove chaff and debris build-up from engine. Do not spray engine with water to clean because water could contaminate fuel. Clean with a brush or compressed air.



Accumulation of debris around muffler 2 could cause a fire. Inspect and clean before every use.

If muffler is equipped with spark arrester 3, remove spark arrester screen for cleaning and inspection every 50 hours or every season. Replace if damaged.

To assure smooth operation, keep governor linkage, springs and controls 4 free of debris.



Replace in-line fuel filter 5. Drain fuel tank or close fuel shut-off valve before replacing filter.

Clean cooling system. Chaff or debris may clog engine's air cooling system, especially after prolonged operation. Internal cooling fins and surfaces may require cleaning to prevent overheating and engine damage. Remove blower housing and clean as shown 6.

## Maintenance Schedule

Follow the hourly or calendar intervals, whichever occur first. More frequent service is required when operating in adverse conditions noted below.

### First 5 Hours

- Change oil

### Every 5 hours or daily

- Check oil level
- Clean around muffler, springs and linkage

### Every 25 hours or every season

- Change oil if operating under heavy load or high ambient temperature
- Service air cleaner pre-cleaner\*

### Every 50 hours or every season

- Change oil
- Clean and inspect spark arrester, if equipped.

### Every 100 hours or every season

- Service air cleaner cartridge\*
- Replace in-line fuel filter, if equipped.
- Replace/clean spark plug
- Change gear reduction oil, if equipped
- Clean cooling system\*

\* Clean more often under dusty conditions, or when airborne debris or chaff is present.

### Partial List of Genuine Briggs & Stratton Parts

#### Briggs & Stratton (or equivalent)

| Part  | Part No.         |
|---|------------------|
| Oil (20 oz.)  | 100005           |
| Oil (48 oz.)  | 100028           |
| Oil pump kit (uses standard electric drill to remove oil from engine quickly)         | 5056             |
| Fuel stabilizer (1 oz., 30 ml single use pouch)                                       | 992030           |
| Fuel stabilizer (4.2 oz., 125 ml bottle)  | 999005E (5041)   |
| Fuel filter (without fuel pump)   | 298090 (5018)    |
| Fuel filter (with fuel pump)  | 394358 or 493629 |
| Air cleaner cartridge   | 492889           |
| Air cleaner pre-cleaner   | 496077           |
| Resistor spark plug (models 19E400, 19F400, 19G400)                                   | 496018E          |
| Long life platinum spark plug (models 19E400, 19F400, 19G400)                         | 5066             |
| Resistor spark plug (models 192400, 196400, 197400, 250400, 256400, 257400)           | 802592E          |
| Standard spark plug (models 192400, 196400, 197400, 250400, 256400, 257400)           | 492167           |
| Long life platinum spark plug (models 192400, 196400, 197400, 250400, 256400, 257400) | 992041 (5062)    |
| Spark tester  | 19368            |
| Spark plug wrench   | 89838 (5023)     |
| Spark arrester  | 399541 or 392390 |

## Storage

Engines stored over 30 days need to be protected or drained of fuel to prevent gum from forming in fuel system or on essential carburetor parts.

For engine protection, we recommend use of Briggs & Stratton Fuel Stabilizer available from an Authorized Briggs & Stratton Service Dealer. Mix stabilizer with fuel in fuel tank or storage container. Run engine for a short time to circulate stabilizer through carburetor. Engine and fuel can be stored up to 24 months.

Note: If stabilizer is not used or if engine is operating on gasoline containing alcohol, e.g. gasohol, remove all fuel from tank and run engine until it stops from lack of fuel.

1. Change oil. See **Oil service.** (see figs. 2 [7])
2. Remove spark plug and pour about 1 oz. (30 ml) of engine oil into cylinder. Replace spark plug and crank slowly to distribute oil.
3. Clean chaff and debris from cylinder and cylinder head fins, under finger guard and behind muffler.
4. Store in a clean and dry area, but NOT near a stove, furnace or water heater which uses a pilot light or any device that can create a spark.

## Service

See an Authorized Briggs & Stratton Service Dealer. Each one carries a stock of Genuine Briggs & Stratton Parts and is equipped with special service tools. Trained mechanics assure expert repair service on all Briggs & Stratton engines. Only dealers advertising as "Authorized Briggs & Stratton" are required to meet Briggs & Stratton standards.

When you purchase equipment powered by a Briggs & Stratton engine, you are assured of highly skilled, reliable service at more than 30,000 Authorized Service Dealers worldwide, including more than 5,000 Master Service Technicians. Look for these signs wherever Briggs & Stratton service is offered.



You may locate your nearest Authorized Briggs & Stratton Service Dealer in our dealer locator map on our web site [www.briggsandstratton.com](http://www.briggsandstratton.com) or in the "Yellow

Pages™" directory under "Engines, Gasoline" or "Gasoline Engines," or "Lawn Mowers" or similar category.



Note: Walking fingers logo and "Yellow Pages" are registered trademarks in various jurisdictions.

An illustrated shop manual includes "Theories of Operation," common specifications and detailed information covering adjustment, tune-up and repair of Briggs & Stratton L-head, single cylinder, 4 cycle engines. Order P/N 270962 from an Authorized Briggs & Stratton Service Dealer.

Insist on Genuine Briggs & Stratton replacement parts with our logo on the box and/or part. Non-original parts may not perform as well and may void your warranty.

# BRIGGS & STRATTON ENGINE OWNER WARRANTY POLICY

Effective January 1, 2003 replaces all undated Warranties and all Warranties dated before January 1, 2003

## LIMITED WARRANTY

Briggs & Stratton Corporation will repair or replace, free of charge, any part(s) of the engine that is defective in material or workmanship or both. Transportation charges on parts submitted for repair or replacement under this warranty must be borne by purchaser. This warranty is effective for the time periods and subject to the conditions stated below. For warranty service, find the nearest Authorized Service Dealer in our dealer locator map at [www.briggsandstratton.com](http://www.briggsandstratton.com), or by calling 1-800-233-3723, or as listed in the 'Yellow Pages'™.

THERE IS NO OTHER EXPRESS WARRANTY. IMPLIED WARRANTIES, INCLUDING THOSE OF MERCHANTABILITY AND FITNESS FOR A PARTICULAR PURPOSE, ARE LIMITED TO ONE YEAR FROM PURCHASE, OR TO THE EXTENT PERMITTED BY LAW ANY AND ALL IMPLIED WARRANTIES ARE EXCLUDED. LIABILITY FOR INCIDENTAL OR CONSEQUENTIAL DAMAGES ARE EXCLUDED TO THE EXTENT EXCLUSION IS PERMITTED BY LAW. Some states or countries do not allow limitations on how long an implied warranty lasts, and some states or countries do not allow the exclusion or limitation of incidental or consequential damages, so the above limitation and exclusion may not apply to you. This warranty gives you specific legal rights and you may also have other rights which vary from state to state and country to country.

## OUR PRODUCT

|                  |  |  |                 |              |
|------------------|--|--|-----------------|--------------|
| <b>VANGUARD™</b> | <b>ELS™<br/>I/C®<br/>Industrial Plus™<br/>Intek™<br/>(Sleeve Bore)</b> | <b>Force™<br/>Intek™<br/>(Kool Bore)<br/>Power Built™ OHV<br/>QUANTUM®<br/>Quattro™<br/>Q45™<br/>Sprint™</b> | <b>Classic™</b> | <b>Etek™</b> |
|------------------|--|--|-----------------|--------------|

## WARRANTY PERIOD\*

|                |         |         |         |         |        |
|----------------|---------|---------|---------|---------|--------|
| Consumer Use   | 2 years | 2 years | 2 years | 1 year  | 1 year |
| Commercial Use |         | 1 year  | 90 days | 90 days |        |

\* Note the following special warranty periods: 2 years for Classic™ engines in the European Union and Eastern European countries, for all consumer products in the European Union, and for emission control systems on engines certified by EPA and CARB. 5 years for consumer use, 90 days for commercial use of Touch-N-Mow® starter on Quantum® and Intek™ engines. Engines used in competitive racing or on commercial or rental tracks are not warrantied.

The warranty period begins on the date of purchase by the first retail consumer or commercial end user, and continues for the period of time stated in the table above. "Consumer use" means personal residential household use by a retail consumer. "Commercial use" means all other uses, including use for commercial, income producing or rental purposes. Once an engine has experienced commercial use, it shall thereafter be considered as a commercial use engine for purposes of this warranty.

**NO WARRANTY REGISTRATION IS NECESSARY TO OBTAIN WARRANTY ON BRIGGS & STRATTON PRODUCTS. SAVE YOUR PROOF OF PURCHASE RECEIPT. IF YOU DO NOT PROVIDE PROOF OF THE INITIAL PURCHASE DATE AT THE TIME WARRANTY SERVICE IS REQUESTED, THE MANUFACTURING DATE OF THE PRODUCT WILL BE USED TO DETERMINE THE WARRANTY PERIOD.**

## ABOUT YOUR ENGINE WARRANTY

Briggs & Stratton welcomes warranty repair and apologizes to you for being inconvenienced. Any Authorized Service Dealer may perform warranty repairs. Most warranty repairs are handled routinely, but sometimes requests for warranty service may not be appropriate. For example, warranty would not apply if engine damage occurred because of misuse, lack of routine maintenance, shipping, handling, warehousing or improper installation. Similarly, warranty is void if the serial number of the engine has been removed or the engine has been altered or modified.

If a customer differs with the decision of the Service Dealer, an investigation will be made to determine whether the warranty applies. Ask the Service Dealer to submit all supporting facts to his Distributor or the Factory for review. If the Distributor or the Factory decides that the claim is justified, the customer will be fully reimbursed for those items that are defective. To avoid misunderstanding which might occur between the customer and the Dealer, listed below are some of the causes of engine failure that the warranty does not cover.

### Normal wear:

Engines, like all mechanical devices, need periodic parts service and replacement to perform well. Warranty will not cover repair when normal use has exhausted the life of a part or an engine.

### Improper maintenance:

The life of an engine depends upon the conditions under which it operates, and the care it receives. Some applications, such as tillers, pumps and rotary mowers, are very often used in dusty or dirty conditions, which can cause what appears to be premature wear. Such wear, when caused by dirt, dust, spark plug cleaning

grit, or other abrasive material that has entered the engine because of improper maintenance, is not covered by warranty.

**This warranty covers engine related defective material and/or workmanship only, and not replacement or refund of the equipment to which the engine may be mounted. Nor does the warranty extend to repairs required because of:**

1. PROBLEMS CAUSED BY PARTS THAT ARE NOT ORIGINAL BRIGGS & STRATTON PARTS.
2. Equipment controls or installations that prevent starting, cause unsatisfactory engine performance, or shorten engine life. (Contact equipment manufacturer.)
3. Leaking carburetors, clogged fuel pipes, sticking valves, or other damage, caused by using contaminated or stale fuel. (Use clean, fresh, lead-free gasoline and Briggs & Stratton Fuel Stabilizer, Part No. 5041.)
4. Parts which are scored or broken because an engine was operated with insufficient or contaminated lubricating oil, or an incorrect grade of lubricating oil (check oil level daily or after every 8 hours of operation. Refill when necessary and change at recommended intervals.) OIL GARD® may not shut down running engine. Engine damage may occur if oil level is not properly maintained. Read Operating & Maintenance Instructions.
5. Repair or adjustment of associated parts or assemblies such as clutches, transmissions, remote controls, etc., which are not manufactured by Briggs & Stratton.
6. Damage or wear to parts caused by dirt, which entered the engine because of improper air cleaner maintenance, re-assembly, or use of a non-original air cleaner element or cartridge. (At recommended intervals, clean and re-oil

the Oil-Foam® element or the foam pre-cleaner, and replace the cartridge.) Read Operating & Maintenance Instructions.

7. Parts damaged by over-speeding, or overheating caused by grass, debris, or dirt, which plugs or clogs the cooling fins, or flywheel area, or damage caused by operating the engine in a confined area without sufficient ventilation. (Clean fins on the cylinder, cylinder head and flywheel at recommended intervals.) Read Operating & Maintenance Instructions.
8. Engine or equipment parts broken by excessive vibration caused by a loose engine mounting, loose cutter blades, unbalanced blades or loose or unbalanced impellers, improper attachment of equipment to engine crankshaft, over-speeding or other abuse in operation.
9. A bent or broken crankshaft, caused by striking a solid object with the cutter blade of a rotary lawn mower, or excessive v-belt tightness.
10. Routine tune-up or adjustment of the engine.
11. Engine or engine component failure, i.e., combustion chamber, valves, valve seats, valve guides, or burned starter motor windings, caused by the use of alternate fuels such as, liquified petroleum, natural gas, altered gasolines, etc.

**Warranty is available only through service dealers which have been authorized by Briggs & Stratton Corporation. your nearest Authorized Service Dealer is listed in the "Yellow Pages"™ of your telephone directory under "Engines, Gasoline" or "Gasoline Engines," "Lawn Mowers," or similar category.**

|   |           |           |           |           |           |           |           |           |           |              |
|---|-----------|-----------|-----------|-----------|-----------|-----------|-----------|-----------|-----------|--------------|
| Briggs & Stratton Engines Are Made Under One Or More Of The Following Patents: Design D-247,177 (Other Patents Pending) |           |           |           |           |           |           |           |           |           |              |
| 6,325,036   | 6,077,063 | 5,819,513 | 5,606,948 | 5,497,679 | 5,235,943 | 5,138,996 | 4,996,956 | 4,633,556 | 4,430,984 | DES. 308,871 |
| 6,284,123   | 6,064,027 | 5,813,384 | 5,606,851 | 5,320,795 | 5,197,425 | 5,086,890 | 4,977,879 | 4,630,498 |           | DES. 308,872 |
| 6,260,529   | 6,014,808 | 5,765,713 | 5,548,955 | 5,271,363 | 5,197,422 | 5,070,829 | 4,971,219 | 4,522,080 |           | DES. 309,457 |
| 6,230,678   | 5,894,715 | 5,645,025 | 5,546,901 | 5,269,713 | 5,191,864 | 5,058,544 | 4,895,119 | 4,520,288 |           | DES. 356,951 |
| 6,202,616   | 5,852,951 | 5,642,701 | 5,503,125 | 5,265,700 | 5,188,069 | 5,040,644 | 4,819,593 | 4,512,499 |           | DES. 361,771 |
| 6,116,212   | 5,823,153 | 5,619,845 | 5,501,203 | 5,243,878 | 5,186,142 | 5,009,208 | 4,719,682 | 4,453,507 |           | DES. 375,963 |



## Bedienungssymbole und ihre Anwendung,

1 - 9 hierzu benutzen Sie die Abbildung und Erklärung im inneren der Anleitung.

1 - 19 beziehen sich auf Motorkomponenten in Abbildung 1.

1 - 9 beziehen sich auf Teile/Maßnahmen in den Abbildungen.

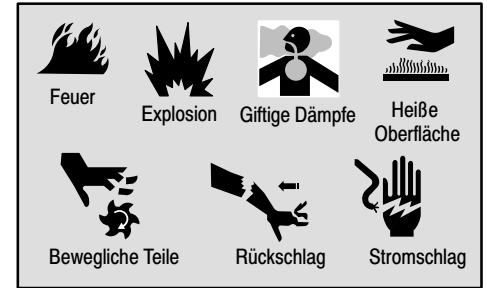
Notieren Sie hier Modell-, Typen- und Codenummer Ihres Motors.

Notieren Sie hier das Kaufdatum Ihres Motors.

## Motorkomponenten (siehe Abb. 1)

- |    |  |                         |                         |
|----|--|-------------------------|-------------------------|
| 1  | Startergriff                             |                         |                         |
| 2  | Gasregler                                |                         |                         |
| 3  | <b>Motor</b>                             | <b>Modell</b><br>xxxxxx | <b>Typ</b><br>xxxx xx   |
|    |  |                         | <b>Code</b><br>xxxxxxxx |
| 4  | Luftfilter                               |                         |                         |
| 5  | Chokeregler                              |                         |                         |
| 6  | Tanköffnung                              |                         |                         |
| 7  | Stoppschalter/Oil Gard®, falls vorhanden |                         |                         |
| 8  | Lüftergehäuse                            |                         |                         |
| 9  | Zündkabel                                |                         |                         |
| 10 | Öleinfüllöffnung/Peilstab                |                         |                         |
| 11 | Schalldämpfer                            |                         |                         |
| 12 | Funkenfänger, falls vorhanden            |                         |                         |
| 13 | Ölablassschraube                         |                         |                         |
| 14 | Öleinfüllschraube                        |                         |                         |
| 15 | 12V-Elektrostarter, falls vorhanden      |                         |                         |
| 16 | Kraftstoffhahn, falls vorhanden          |                         |                         |

## Gefahrensymbole und ihre Bedeutungen



## Internationale Symbole und ihre Bedeutungen



## Sicherheitsvorkehrungen

**VOR INBETRIEBNAHME DES MOTORS**

- Die gesamte Bedienungsanleitung mit Wartungsvorschriften sowie die Anleitung für das von diesem Motor angetriebene Gerät durchlesen.\*
- Wenn diese Anleitung nicht befolgt wird, kann es zu schweren Verletzungen oder Tod kommen.

**IN DER BEDIENUNGSANLEITUNG SIND SICHERHEITSHINWEISE ENTHALTEN, DIE**

- auf Gefahren in Verbindung mit dem Motor aufmerksam machen,
- auf Verletzungsrisiken hinweisen und
- zeigen, wie das Verletzungsrisiko vermieden oder verringert werden kann.

\* Wir bei Briggs & Stratton können nicht immer wissen, an welchen Geräten unsere Motoren angebracht werden. Aus diesem Grund sollten Sie die Bedienungsanleitung des Geräts, das von diesem Motor angetrieben wird, sorgfältig durchlesen.

**!** Das Warnsymbol dient zur Kennzeichnung von Gefahrenquellen, die zu Verletzungen führen können.

Zusammen mit dem Warnsymbol wird ein Signalwort verwendet (GEFAHR, ACHTUNG oder VORSICHT), um die Wahrscheinlichkeit und die Schwere der eventuellen Verletzung anzuzeigen. Außerdem kann ein Gefahrensymbol verwendet werden, um den Gefahrentyp zu kennzeichnen.

**!** **GEFAHR** zeigt ein Risiko an, das zu **Tod oder schweren Verletzungen führt, wenn der Hinweis nicht beachtet wird.**

**!** **VORSICHT** zeigt ein Risiko an, das zu **kleineren Verletzungen führen kann.**

**!** **ACHTUNG** zeigt ein Risiko an, das zu **Tod und schweren Verletzungen führen kann.**

**VORSICHT ohne** das Warnsymbol zeigt eine Situation an, die zu **Motorschaden führen kann.**

**!** **ACHTUNG** **!**

Die Motorabgase dieses Produktes enthalten Chemikalien, die in Kalifornien als Erreger von Krebs, Geburtsschäden und anderen Fortpflanzungsschäden gelten.



**ACHTUNG**



Benzin und Benzindämpfe sind extrem leicht entflammbar und explosiv.

Feuer oder Explosionen können zu schweren Verbrennungen oder Tod führen.

#### BEIM EINFÜLLEN VON KRAFTSTOFF

- Den Motor abstellen und mindestens 2 Minuten lang abkühlen lassen, bevor der Tankdeckel abgenommen wird.
- Den Kraftstofftank im Freien oder in einem gut belüfteten Bereich füllen.
- Den Kraftstofftank nicht ganz füllen, sondern nur bis ca. 4 cm unter den Rand des Einfüllstutzens, damit der Kraftstoff Platz zum Ausdehnen hat.
- Benzin von Funken, offenen Flammen, Dauerflammen, Wärmequellen und anderen Zündquellen fern halten.
- Kraftstoffleitungen, Tank, Deckel und Anschlüsse regelmäßig auf Sprünge und undichte Stellen untersuchen und bei Bedarf austauschen.

#### BEIM START DES MOTORS

- Darauf achten, dass Zündkerze, Schalldämpfer, Kraftstofftankdeckel und Luftfilter an ihrem Platz sind.
- Den Motor nicht starten, wenn die Zündkerze herausgenommen wurde.
- Wenn Kraftstoff verschüttet wurde, warten, bis sich die Dämpfe verflüchtigt haben, bevor der Motor gestartet wird.
- Wenn der Motor überfettet, den Choke auf Position OPEN/RUN (OFFEN/FAHRT) und den Gasregler auf Position FAST (SCHNELL) stellen und den Motor anlassen, bis er anspringt.

#### BEI BETRIEB DES GERÄTS

- Motor oder Gerät nicht in einem Winkel kippen, bei dem Benzin verschüttet werden kann.
- Zum Stoppen des Motors nicht den Choke verwenden.

#### BEIM TRANSPORT DES GERÄTS

- Das Gerät mit LEEREM Kraftstofftank oder mit GESCHLOSSENEM Kraftstoffhahn transportieren.

#### BEIM LAGERN VON BENZIN ODER VON GERÄTEN MIT KRAFTSTOFF IM TANK

- Niemals in der Nähe von Öfen, Herden, Warmwasserbereitern oder ähnlichen Geräten mit Dauerflammen oder anderen Zündquellen abstellen, weil Benzindämpfe entzündet werden könnten.



**ACHTUNG**



Beim Start des Motors werden Funken erzeugt.

Funken können entflammbare Gase in der Nähe entzünden.

Es kann zu Feuer und Explosionen kommen.

- Wenn sich undichte Gasleitungen in der Nähe befinden, darf der Motor nicht gestartet werden.
- Keine unter Druck stehenden Startflüssigkeiten verwenden, weil sich ihre Dämpfe entzünden könnten.



**ACHTUNG**



Motoren erzeugen Kohlenmonoxid, ein geruchloses, farbloses, giftiges Gas.

Wenn Kohlenmonoxid eingeatmet wird, kann es zu Übelkeit, Ohnmacht oder Tod kommen.

- Den Motor im Freien starten und laufen lassen.
- Den Motor nicht in geschlossenen Räumen starten oder laufen lassen, selbst wenn Türen oder Fenster geöffnet sind.



**ACHTUNG**



Funken können Feuer oder Stromschläge verursachen.

Ungewollter Start kann schwere Verletzungen verursachen.

#### VOR EINSTELL- UND REPARATURARBEITEN

- Das Zündkabel abziehen und von der Zündkerze fern halten.
- Die Batterie von der negativen Klemme lösen (nur Motoren mit Elektrostart).

#### BEI DER FUNKENKONTROLLE

- Einen geeigneten Funkenprüfer verwenden.
- Nicht bei herausgenommener Zündkerze überprüfen, ob Funken vorhanden sind.



**ACHTUNG**



Laufende Motoren erzeugen Wärme. Motorteile, insbesondere Schalldämpfer, werden extrem heiß.

Bei Berührung kann es zu schweren Verbrennungen kommen.

Brennbare Fremdkörper wie Laub, Gras usw. können sich entzünden.

- Schalldämpfer, Zylinder und Kühlrippen abkühlen lassen, bevor sie berührt werden.
- Ansammlungen brennbarer Fremdkörper vom Schalldämpfer- und Zylinderbereich entfernen.
- Einen Funkenfänger installieren und instandhalten, bevor das Gerät auf Wald-, Gras- oder Buschland eingesetzt wird.



**ACHTUNG**



Rotierende Teile können Hände, Füße, Haare, Kleidungsstücke oder Schmuck berühren und sich darin verfangen.

Es kann zu Amputationen oder anderen schweren Verletzungen kommen.

- Beim Einsatz des Geräts müssen sich alle Schutzvorrichtungen an ihrem Platz befinden.
- Hände und Füße von rotierenden Teilen fern halten.
- Lange Haare hochbinden und Schmuck abnehmen.
- Keine lose sitzende Kleidung, herunterbaumelnde Schnüre oder ähnliche Teile tragen, die sich verfangen könnten.



**ACHTUNG**



Wenn das Starterseil schnell zurückspringt, werden Hand und Arm schneller zum Motor gezogen, als das Seil losgelassen werden kann.

Es kann zu Knochenbrüchen, Quetschungen und Verstauchungen kommen.

- Beim Start des Motors langsam am Seil ziehen, bis Widerstand gespürt wird. Dann kräftig ziehen.
- Alle externen Geräte- und Motorlasten beseitigen, bevor der Motor gestartet wird.
- Direkt mit dem Motor verbundene Gerätekomponenten wie u. a. Schnittmesser, Impeller, Seilscheiben, Zahnräder usw. müssen sicher befestigt sein.

## Empfehlungen zum Öl (siehe Abb. [2])


Der Motor wird von Briggs & Stratton ohne Öl geliefert. Vor dem Motorstart Öl einfüllen. Nicht überfüllen.

Ein hochwertiges Öl mit der Klassifikation "SF, SG, SH, SJ" oder höher wie z. B. Briggs & Stratton 30W, Teilnr. 100005 (20 oz.) oder 100028 (48 oz.) verwenden. Zusammen mit empfohlenem Öl keine speziellen Zusätze verwenden. Öl nicht mit Benzin mischen.

Aus dieser Übersicht die Ölsorte mit dem SAE-Viskositätsgrad auswählen, die zur voraussichtlichen Starttemperatur vor dem nächsten Ölwechsel passt.



**Hinweis:** Synthetiköl, das die Norm ILSAC GF-2 erfüllt und API- Zertifikatsmarke und API-Servicesymbol ab "SJ/CF ENERGY CONSERVING" aufweist (siehe Abb. links), kann bei allen Temperaturen verwendet werden. Die Verwendung von Synthetiköl ändert nichts an den erforderlichen Ölwechselintervallen.



\* Luftgekühlte Motoren laufen heißer als Kfz-Motoren. Die Verwendung von nicht-synthetischen Mehrbereichsölen (5W-30, 10W-30 usw.) bei Temperaturen über 4° C führt zu überhöhtem Ölverbrauch. Bei Verwendung eines Mehrbereichsöls muss der Ölstand häufiger kontrolliert werden.

\*\* Wenn Öl SAE 30 unter 4° C verwendet wird, kommt es zu schwerem Start und möglichem Schaden an der Motorbohrung durch unzureichende Schmierung.

**Ölstand kontrollieren.** Das Ölfassungsvermögen der einzelnen Modellreihen beträgt ca.:

1,3 l bei den Modellen 170000 und 190000.

1,4 l beim Modell 250000.

Den Motor senkrecht stellen und den Bereich um die Ölfüllöffnung reinigen ①.

Den Peilstab herausnehmen ②, mit einem sauberen Lappen abwischen, wieder einsetzen und festschrauben. Den Peilstab herausnehmen und den Ölstand überprüfen. Das Öl sollte an der FULL-Markierung sein. Falls Öl erforderlich ist, langsam einfüllen. Nicht überfüllen.

ODER

Öleinfüllschraube entfernen ③. Das Öl sollte bis zum Rand reichen ④.

Den Peilstab bzw. die Öleinfüllschraube festdrehen, bevor der Motor gestartet wird.

## Empfehlungen zum Kraftstoff

Sauberes, frisches, bleifreies Benzin mit einer Mindestkottanzahl von 77 verwenden. Falls kein bleifreies Benzin erhältlich ist, kann verbleites Benzin verwendet werden. Kraftstoff in Mengen kaufen, die innerhalb von 30 Tagen verbraucht werden können. Siehe Lagerung.

Kein Methanol-haltiges Benzin verwenden. Benzin nicht mit Öl mischen.

Zum Schutz des Motors empfehlen wir Briggs & Stratton-Kraftstoffstabilisator (Bestell-Nr. 999005D), der beim Briggs & Stratton-Vertragshändler erhältlich ist.

## Kontrolle des Kraftstoffniveaus.



Vor dem Nachtanken den Motor 2 Minuten abkühlen lassen.

Den Bereich um die Kraftstoffzufüllöffnung herum reinigen, bevor der Deckel zum Nachtanken abgenommen wird. Den Tank bis ca. 4 cm unter den Rand des Einfüllstutzens füllen, damit der Kraftstoff Platz zum Ausdehnen hat. Darauf achten, dass der Tank nicht überfüllt wird.

## Start (siehe Abb. [3] [4])



IMMER HÄNDE UND FÜSSE VON BEWEGLICHEN GERÄTETEILEN FERN HALTEN.



Keine unter Druck stehende Startflüssigkeit verwenden, weil sich Dämpfe entzünden könnten.

Das Gerät in waagerechter Position starten, aufbewahren und betanken.

Den Ölstand kontrollieren.

Den Kraftstoffhahn, falls vorhanden, öffnen.

**VORSICHT: OIL GARD (Ölwächter)®** (falls vorhanden)

(siehe [7] Abb. [1]) soll Motorstart bei zu niedrigem Ölstand verhindern. **OIL GARD®** stellt einen laufenden Motor u. U. nicht ab. Wenn der richtige Ölstand nicht beibehalten wird, kann es zu Motorschaden kommen. Außerdem geht die Garantie verloren. Vor dem Start des Motors immer zuerst den Ölstand kontrollieren.

Wenn der Motor mit **OIL GARD®** ausgestattet ist und mit zu wenig Öl läuft, warnt eine Kontrolllampe am Motor vor dem niedrigen Ölstand. Wenn die Lampe flackert und der Motor nicht gestartet werden kann oder ausgegangen ist und nicht wieder anspringt, muss Öl nachgefüllt werden. Bis zum Rand der Öleinfüllöffnung oder zur FULL-Marke am Peilstab füllen. Nicht überfüllen.

## Vor dem Start (siehe Abb. [3])

1. Den Chokeregler ① auf Position CHOKE stellen.
2. Den Gasregler ② auf Position FAST stellen, falls vorhanden.
3. Den Kraftstoffhahn ③, falls vorhanden, auf ON drehen.
4. Den Stoppreger ④ auf Position ON stellen, falls vorhanden.

Hinweis: Falls der Motor mit Oil Gard® ausgestattet ist, warnt eine flackernde Lampe im Wippenstoppschalter ④ vor niedrigem Ölstand, oder der Motor stoppt und kann nicht wieder gestartet werden. Öl nachfüllen. Bis zur FULL-Marke am Peilstab (nicht überfüllen) bzw. bei der Öleinfüllschraube bis zum Überlaufen auffüllen.

## Rücklaufstarter (siehe Abb. [4])



Den Seilgriff fassen und langsam ziehen, bis Widerstand spürbar wird. Dann kräftig am Seil ziehen, um die Kompression zu

überwinden, Rückschlag zu vermeiden und den Motor zu starten. Den Vorgang falls nötig mit dem Choke auf Position RUN und dem Gasregler auf FAST wiederholen. Nach dem Start den Motor in Position FAST laufen lassen.

## Elektrostarter (siehe Abb. [4])

Bei Motoren mit 12 Volt-Startsystem den Schlüssel auf Position START ① drehen oder den Startknopf ② drücken. Den Vorgang bei Bedarf mit dem Choke auf Position RUN und dem Gasregler auf Position FAST wiederholen. Nach dem Start den Motor in Position FAST laufen lassen.

Hinweis: Wenn der Gerätehersteller die Batterie geliefert hat, muss sie entsprechend den Empfehlungen des Geräteherstellers geladen werden, bevor versucht wird, den Motor zu starten.

Hinweis: Den Anlasser nur kurz betätigen (15 Sek. pro Min.), um seine Lebensdauer zu verlängern. Durch zu langes Anlassen kann der Anlasser beschädigt werden.

## Stoppen (siehe Abb. [5])

Zum Stoppen des Motors nicht den Chokeregler auf Position CHOKE stellen. Es kann zu Rückzündungen oder Motorschaden kommen. Den Gasregler auf Position IDLE oder SLOW stellen ①, falls vorhanden. Dann den Schlüssel auf OFF drehen oder den Stoppreger auf OFF stellen ②. Den Kraftstoffhahn ③ schließen.

Hinweis: Immer den Schlüssel vom Schalter abziehen, wenn das Gerät nicht eingesetzt wird oder unbeaufsichtigt bleibt.

Hinweis: Beim Transport des Motors den Kraftstoffhahn schließen, um Kraftstoffüberlauf zu vermeiden.

## Einstellungen (siehe Abb. [6])



Um ungewollten Start zu vermeiden, vor den Einstellarbeiten das Zündkabel ① entfernen und erden und die

Batterie, falls vorhanden, von der negativen Klemme lösen.

## Gasreglereinstellungen (siehe Abb. [6])

### Manueller Reibungswiderstand

Die Flügelmutter ② an der Reglerplatte lösen bzw. anziehen, bis sich der Gasregler ③ mit etwas Widerstand bewegen lässt und bei laufendem Motor noch in der gewünschten Position bleibt.

### Fernbetätigung

Die Bowdenzugklemmschraube ④ lösen. Den Bowdenzug ⑤ in Pfeilrichtung bis zum Anschlag bewegen. Den Gasregler auf Position FAST stellen. Die Bowdenzugklemmschraube anziehen.

### Regler

Die Einstellschraube ⑥ für die Maximaldrehzahl wurde im Werk entsprechend den Angaben des Geräteherstellers eingestellt. Die Schraube NICHT VERSTELLEN. Falls eine Einstellung erforderlich ist, wenden Sie sich bitte an einen Briggs & Stratton-Vertragshändler.

### Vergasereinstellung



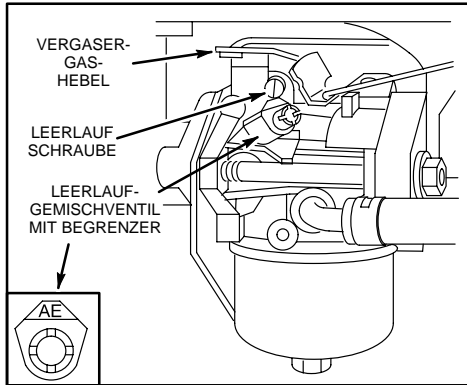
Der Hersteller des Geräts, an dem dieser Motor installiert ist, gibt die Höchstdrehzahl an, bei der der Motor laufen soll. Diese Drehzahl NICHT ÜBERSCHREITEN.

Wenden Sie sich für Vergasereinstellungen bitte an den nächsten Briggs & Stratton-Vertragshändler.

Den Motor anlassen und vor der Einstellung ca. 5 Minuten lang warmlaufen lassen. Bei laufendem Motor den Gasregler auf Position SLOW stellen. Den Vergasergashebel gegen die Leerlaufschraube drehen und dort halten. Die Leerlaufschraube drehen, um 1750 U/min zu erhalten.

Die Leerlaufgemischregulierschraube bis zum Anschlag im Uhrzeigersinn und dann im Gegenuhrzeigersinn drehen und schließlich auf den Mittelpunkt zwischen den Anschlagpunkten stellen. Die Leerlaufdrehzahl kontrollieren und bei Bedarf auf 1750 U/min nachstellen.

Den Gashebel auf Position FAST stellen. Der Motor sollte gleichmäßig beschleunigen. Falls er das nicht tut, die Leerlaufgemischschraube um 1/8 Umdrehung im Gegenuhrzeigersinn drehen.



## Wartung (siehe Abb. 7 8 9)

Siehe **Wartungsplan**. Die stündlichen bzw. jährlichen Intervalle befolgen, je nachdem, welcher Fall zuerst eintritt. Bei Einsatz unter erschwerten Bedingungen ist häufigere Wartung erforderlich.



Um ungewollten Start zu vermeiden, vor den Wartungsarbeiten das Zündkabel ❶ entfernen

und erden und die Batterie, falls vorhanden, von der negativen Klemme lösen.

## Ölwechsel (siehe Abb. 7)

Regelmäßig den Ölstand kontrollieren.

Darauf achten, dass der richtige Ölstand beibehalten wird. Alle 5 Stunden oder täglich vor dem Motorstart überprüfen. Siehe Öleinfüllvorgang unter **„Empfehlungen zum Öl“**.

## Öl wechseln

Das Öl nach den ersten 5 Betriebsstunden wechseln. Das Öl wechseln, solange der Motor warm ist. Neues Öl des empfohlenen SAE-Viskositätsgrads nachfüllen (siehe Abb. 2).

## Untersetzung, falls vorhanden

Öleinfüllschraube ❷ und Ölstandsschraube ❸ entfernen. Das Öl alle 100 Betriebsstunden bzw. jede Saison ablassen. Zum Nachfüllen SAE 30-Öl in die Öleinfüllöffnung gießen, bis es aus der Ölstandskontrollbohrung herausläuft. Beide Schrauben wieder anbringen. Die Öleinfüllschraube hat eine Entlüftungsbohrung ❹ und muss oben an der Getriebeabdeckung angebracht werden.

## Wartung des Luftfilters (siehe Abb. 8)

Vorfilter ❷, und/oder Patrone ❸ austauschen, wenn sie sehr schmutzig oder beschädigt sind.

1. Die Schrauben lösen. Dann Abdeckung und Luftfilter von der Grundplatte abnehmen.
2. Den Luftfilter innen aus der Abdeckung nehmen und zerlegen.

Den Vorfilter mit Wasser und flüssigem Reinigungsmittel waschen, in einem sauberen Lappen ausdrücken,

in Motoröl tauchen und in einem sauberen, absorbierenden Lappen ausdrücken, um ALLES ÜBERSCHÜSSIGE ÖL zu entfernen.

Die Patrone zur Reinigung vorsichtig auf eine ebene Fläche klopfen. Keine Lösungsmittel auf Erdölbasis wie Petroleum verwenden, die Verschleiß an der Patrone verursachen. Keine Druckluft verwenden, weil dadurch die Patrone beschädigt werden kann. Die Patrone nicht ölen.

3. Halterung ❹, Vorfilter (Siebseite des Vorfilters zu den Patronenfalten) und Patrone in der Abdeckung anbringen.

4. Die Zungen ❺ an der Abdeckung in die Schlitzlöcher ❻ in der Grundplatte stecken. Die Abdeckungsschrauben fest anziehen.

## Wartung der Zündkerze (siehe Abb. 8)



NICHT bei entfernter Zündkerze kontrollieren, ob ein Zündfunke vorhanden ist. Dazu nur Briggs & Stratton-Funkenprüfer ❸

verwenden. Den Motor NICHT starten, wenn die Zündkerze herausgenommen wurde. Wenn der Motor überfettet ist, den Gashebel auf Position FAST (schnell) stellen und den Motor starten, bis er anspringt.

Der Elektrodenabstand ❶ sollte 0,76 mm betragen.

Die Zündkerze alle 100 Stunden oder jede Saison reinigen/austauschen, je nachdem, welcher Fall zuerst eintritt. Funkenprüfer und Zündkerzenschlüssel sind beim Briggs & Stratton-Vertragshändler erhältlich.

Hinweis: An Motoren der Modellreihen 19E400, 19F400, 19G400 wird nur Zündkerze Nr. 496018 verwendet. An Motoren der Modellreihen 192400, 196400, 197400, 250400, 256400, 257400 wird je nach Bedarf Standardzündkerze Nr. 492167 oder Widerstands-Zündkerze Nr. 802592 verwendet.

Hinweis: In einigen Ländern sind Widerstands-Zündkerzen zur Unterdrückung von Zündsignalen vorgeschrieben. Wenn dieser Motor ursprünglich mit einer Widerstands-Zündkerze ausgestattet war, muss zum Austausch derselbe Zündkerzentyp verwendet werden.

## Den Motor sauber halten (siehe Abb. 9)

Regelmäßig Mähgutablagerungen und Fremdkörper vom Motor entfernen. Den Motor zur Reinigung nicht mit Wasser bespritzen, weil Wasser den Kraftstoff verunreinigen kann. Mit einer Bürste oder Druckluft reinigen.



Ansammlungen von Fremdkörpern am Schalldämpfer ❷ können Feuer verursachen. Diesen Bereich vor jedem Einsatz untersuchen und reinigen.

Wenn der Schalldämpfer mit einem Funkenfängersieb ❸ ausgestattet ist, das Sieb alle 50 Stunden bzw. jede Saison zur Reinigung und Inspektion abnehmen. Um gleichmäßigen Betrieb sicherzustellen, Reglergestänge, Federn und Regler ❹ von Fremdkörpern frei halten.



Den In-line-Kraftstofffilter ❺ austauschen. Den Kraftstofftank leeren lassen oder den Kraftstoffhahn schließen, bevor der Filter ausgetauscht wird.

Das Kühlsystem reinigen. Mähgutablagerungen oder Fremdkörper können das Kühlsystem des Motors

verstopfen, insbesondere nach längerem Betrieb. Zur Vermeidung von Überhitzung und Motorschaden müssen die internen Kühlrippen und Oberflächen u. U. gereinigt werden. Das Lüftergehäuse ausbauen und wie gezeigt reinigen ❹.

## Wartungsplan

Die stündlichen bzw. jährlichen Intervalle befolgen, je nachdem, welcher Fall zuerst eintritt. Bei Einsatz unter erschwerten Bedingungen ist häufigere Wartung erforderlich.

### Nach den ersten 5 Stunden

- Öl wechseln

### Alle 5 Stunden oder täglich

- Ölstand kontrollieren
- Den Bereich um Schalldämpfer, Federn und Gestänge reinigen

### Alle 25 Stunden oder jede Saison

- Bei Einsatz mit schwerer Last oder bei hohen Umgebungstemperaturen Öl wechseln
- Luftfilter-Vorfilter warten\*

### Alle 50 Stunden oder jede Saison

- Öl wechseln
- Funkenfänger reinigen und untersuchen, falls vorhanden.

### Alle 100 Stunden oder jede Saison

- Luftfilter-Patrone reinigen\*
- In-line-Kraftstofffilter austauschen, falls vorhanden.
- Zündkerze austauschen
- Getriebeöl wechseln, falls zutreffend
- Kühlsystem reinigen\*

\* Bei hohem Staubaufkommen oder Fremdkörpern in der Luft häufiger reinigen.

### Liste mit Briggs & Stratton-Originalteilen (nicht vollständig)

#### Briggs & Stratton (oder gleichwertig)

| Teil  | Teilenr.            |
|---|---------------------|
| Öl (20 oz.)   | 100005 E            |
| Öl (48 oz.)   | 100006 E            |
| Ölpumpensatz (elektrischer Bohrer wird verwendet, um das Öl schnell aus dem Motor abzulassen) | 5056                |
| Kraftstoffstabilisator (30 ml-Einwegbeutel)   | 992030              |
| Kraftstoffstabilisator (125 ml-Flasche)   | 999005D (5041)      |
| Kraftstofffilter (ohne Kraftstoffpumpe)   | 298090S             |
| Kraftstofffilter (mit Kraftstoffpumpe)  | 394358S oder 691035 |
| Luftfilterpatrone   | 492889              |
| Luftfilter-Vorfilter  | 691643              |
| Widerstands-Zündkerze (Modelle 19E400, 19F400, 19G400)  | 496018E             |
| Long-life-Platinzündkerze (Modelle 19E400, 19F400, 19G400)                                    | 5066                |
| Widerstands-Zündkerze (Modelle 192400, 196400, 197400, 250400, 256400, 257400)                | 992041              |
| Standard-Zündkerze (Modelle 192400, 196400, 197400, 250400, 256400, 257400)                   | 992040              |
| Long-life-Platinzündkerze (Modelle 192400, 196400, 197400, 250400, 256400, 257400)            | 992041 (5062)       |
| Funkenprüfer  | 019368              |
| Zündkerzenschlüssel   | 089838S             |
| Funkenfänger  | 399541 oder 392390  |

## Lagerung

Motoren, die länger als 30 Tage gelagert werden, müssen geschützt oder es muss der Kraftstoff abgelassen werden, damit sich im Kraftstoffsystem oder an wichtigen Vergaserteilen keine Ölrückstände bilden.

Zum Schutz des Motors empfehlen wir Briggs & Stratton-Kraftstoffstabilisator, der beim Briggs & Stratton-Vertragshändler erhältlich ist. Den Stabilisator im Kraftstofftank oder Lagerungsbehälter mit dem Kraftstoff mischen. Den Motor kurz laufen lassen, damit der Stabilisator durch den Vergaser fließen kann. Motor und Kraftstoff können bis zu 24 Monate gelagert werden.

Hinweis: Wenn kein Stabilisator verwendet wird, den Kraftstoff vollständig aus dem Tank entfernen und den Motor laufen lassen, bis er aus Kraftstoffmangel ausgeht.

1. Öl wechseln. Siehe **Ölwechsel. (Siehe Abb. [2] [7])**

2. Die Zündkerze entfernen und ca. 30 ml Motoröl in den Zylinder gießen. Die Zündkerze wieder anbringen und den Motor langsam durchdrehen, um das Öl zu verteilen.

3. Mähgutablagerungen und Fremdkörper von Zylinder und Zylinderrippen, unter der Motorabdeckhaube und hinter dem Schalldämpfer beseitigen.

4. Den Motor an einem sauberen und trockenen Platz aufbewahren, aber NICHT neben einer Heizung oder einem Warmwasserbereiter mit Dauerflamme oder anderen funkenzeugenden Vorrichtungen.

## Service

Wenden Sie sich an einen Briggs & Stratton-Vertragshändler. Der Händler hat einen Vorrat von Briggs & Stratton-Originalteilen auf Lager und verfügt über spezielle Reparaturwerkzeuge. Ausgebildete Mechaniker sorgen für zuverlässige Reparaturen an allen Briggs & Stratton-Motoren. Nur Briggs & Stratton-Vertragshändler erfüllen die Briggs & Stratton-Normen.

Beim Kauf eines Geräts, das von einem Briggs & Stratton-Motor angetrieben wird, können Sie sich auf sachkundigen, zuverlässigen Service bei weltweit mehr als 30.000 Vertragshändlern einschließlich 5.000 Master Service-Technikern verlassen. Achten Sie überall dort, wo Briggs & Stratton-Service angeboten wird, auf diese Zeichen.



Sie finden den nächsten Briggs & Stratton-Vertragshändler auf unserer Händlerkarte unter unserer Internet-Adresse [www.briggsandstratton.com](http://www.briggsandstratton.com) oder in den "Gelben Seiten™" unter "Motoren", "Benzinmotoren", "Rasenmäher" oder einer ähnlichen Kategorie.



Hinweis: Das Zeichen mit den gehenden Fingern und die "Gelben Seiten™" sind in einigen Ländern eingetragene Warenzeichen.

Ein illustriertes Werkstatthandbuch mit "Funktionstheorien", allgemeinen Angaben und ausführlichen Informationen zu Einstellung und Reparatur von Briggs & Stratton- Einzylinder-Viertaktmotoren kann als Nr. 271266 beim Briggs & Stratton-Vertragshändler bestellt werden.

Bestehen Sie auf originalen Briggs & Stratton- Ersatzteilen mit unserem Zeichen auf der Verpackung und/oder dem Teil. Andere Teile bringen u. U. nicht die gleiche Leistung und können die Garantie aufheben.

# BRIGGS & STRATTON-GARANTIESCHEIN FÜR MOTORBESITZER

Gültig ab 1. 1. 2003, ersetzt alle nicht datierten Garantien und alle Garantien mit Datum vor dem 1. 1. 2003

## EINGESCHRÄNKTE GEWÄHRLEISTUNG

Briggs & Stratton Corporation repariert oder ersetzt kostenlos jedes Teil oder Teile des Motors, die Material- oder Verarbeitungsschäden oder beides aufweisen. Die Kosten für den Transport von Teilen, die unter dieser Garantie für Reparatur oder Austausch eingeschickt werden, sind vom Käufer zu tragen. Diese Garantie ist für die nachstehend angegebenen Zeiträume gültig und den hier aufgeführten Bedingungen unterworfen. Für Garantieleistungen finden Sie den nächsten Vertragshändler auf unserer Händlerkarte unter [www.briggsandstratton.com](http://www.briggsandstratton.com) oder unter der Telefonnummer 1-800-233-3723 (USA) oder in den "Gelben Seiten"™.

ES GIBT KEINE ANDERE AUSDRÜCKLICHE GARANTIELEISTUNG. INBEGRIFFENE GARANTIELEISTUNGEN, EINSCHLIESSLICH SOLCHER FÜR MARKTGÄNGIGE QUALITÄT UND EIGNUNG FÜR EINEN BESTIMMTEN ZWECK, SIND AUF EIN JAHR AB KAUFDATUM BESCHRÄNKT, ODER ALLE INBEGRIFFENEN GARANTIELEISTUNGEN SIND, SOWEIT VON DER GESETZGEBUNG ERLAUBT, AUSGESCHLOSSEN. HAFTUNG FÜR NEBEN- UND FOLGESCHÄDEN IST UNTER ALLEN GARANTIELEISTUNGEN AUSGESCHLOSSEN, SOWEIT EIN DERARTIGER AUSSCHLUSS VOM GESETZ ERLAUBT IST. In manchen Ländern sind Einschränkungen hinsichtlich der Dauer einer konkludenten Garantieleistung nicht zulässig, und in manchen Ländern sind Ausschluss oder Einschränkung von Neben- oder Folgeschäden nicht zulässig, weswegen die oben aufgeführten Einschränkungen und Ausschlüsse u. U. in Ihrem Fall nicht zutreffen. Diese Garantieleistung verleiht Ihnen bestimmte Rechte, neben denen Sie noch andere Rechte haben können, die von Land zu Land abweichen.

## UNSER PRODUKT

|                  |  |   |                 |              |
|------------------|--|---|-----------------|--------------|
| <b>VANGUARD™</b> | <b>ELS™<br/>I/C®<br/>Industrial Plus™<br/>Intek™<br/>(Sleeve Bore)</b> | <b>Fource™<br/>Intek™ (Kool Bore)<br/>Power Built™ OHV<br/>QUANTUM®<br/>Quattro™<br/>Q45™<br/>Sprint™</b> | <b>Classic™</b> | <b>Etek™</b> |
|------------------|--|---|-----------------|--------------|

## GARANTIEFRIST\*

|                      |         |         |         |         |        |
|----------------------|---------|---------|---------|---------|--------|
| Verbraucheranwendung | 2 Jahre | 2 Jahre | 2 Jahre | 1 Jahr  | 1 Jahr |
| Gewerblicher Einsatz |         | 1 Jahr  | 90 Tage | 90 Tage |        |

\* Die folgenden besonderen Garantiefristen sind zu beachten: **2 Jahre** für Classic™-Motoren in der Europäischen Union und in Osteuropa, für alle Verbraucherprodukte in der Europäischen Union und für Abgassysteme an Motoren mit EPA- und CARB-Zertifikat. **5 Jahre** bei gewerblichem Einsatz für Touch-N-Mow®-Starter an Quantum®- und Intek™-Motoren. **Motoren, die für Rennen oder auf gewerblichen oder Mietbahnen eingesetzt werden, sind von der Garantie ausgeschlossen.**

Die Garantiefrist beginnt mit dem Datum des Kaufs durch den ersten Einzelverbraucher oder gewerblichen Endverbraucher und hat die in der Tabelle oben angegebene Dauer. "Verbraucheranwendung" bedeutet die private Anwendung im Haushalt eines Verbrauchers. "Gewerblicher Einsatz" bedeutet alle anderen Anwendungen, einschließlich Anwendungen für gewerbliche, gewinnbringende oder Vermietungszwecke. Sobald ein Motor einmal gewerblich eingesetzt worden ist, wird er für die Zwecke dieser Gewährleistung auch weiterhin als Motor für den gewerblichen Einsatz angesehen.

**ZUM ERHALT VON GARANTIELEISTUNGEN AN BRIGGS & STRATTON-PRODUKTEN IST KEINE REGISTRIERUNG ERFORDERLICH. BEWAHREN SIE DIE KAUFQUITTUNG AUF. WENN SIE BEI GARANTIEFORDERUNGEN KEINEN NACHWEIS DES KAUFDATUMS VORLEGEN KÖNNEN, WIRD DIE GARANTIEFRIST ANHAND DES HERSTELLUNGSDATUMS DES PRODUKTS ERMITTELT.**

## ZUR MOTORGARANTIE

Briggs & Stratton führt gerne Reparaturarbeiten auf Garantie aus und entschuldigt sich für die Ihnen entstandenen Unannehmlichkeiten. Jeder Vertragshändler kann Reparaturarbeiten auf Garantie ausführen. In den meisten Fällen handelt es sich um Routinearbeiten, jedoch können Anfragen nach Garantieleistungen manchmal nicht gerechtfertigt sein. Die Garantie kann zum Beispiel nicht in Anspruch genommen werden, wenn es durch Missbrauch, fehlende Wartung, Fehler bei Versand, Handhabung, Lagerung oder Installation zu Motorschäden kommt. Die Garantie geht außerdem verloren, wenn die Seriennummer des Motors entfernt oder der Motor umgebaut oder modifiziert wurde. Wenn ein Kunde mit der Entscheidung des Vertragshändlers nicht einverstanden ist, wird eine Untersuchung durchgeführt, um zu bestimmen, ob die Garantie in Anspruch genommen werden kann. Bitte Sie den Händler, seinem Großhändler bzw. dem Werk alle zweckdienlichen Angaben zu übermitteln. Wenn der Großhändler bzw. das Werk entscheidet, dass der Anspruch gerechtfertigt ist, werden dem Kunden die defekten Teile vollständig erstattet. Zur Vermeidung von eventuellen Missverständnissen zwischen Kunden und Händlern sind nachstehend einige der Ursachen für Motordefekte aufgeführt, die von der Garantie nicht abgedeckt werden.

### Normaler Verschleiß:

An Motoren müssen — wie an allen mechanischen Geräten — regelmäßige Wartungsarbeiten durchgeführt und Teile ausgetauscht werden. Die Garantie deckt keine Reparaturen ab, die dadurch erforderlich werden, dass sich die Lebensdauer eines Teils oder eines Motors durch normalen Verschleiß erschöpft hat.

### Unzureichende Wartung:

Die Lebensdauer eines Motors ist abhängig von den Bedingungen, unter denen er eingesetzt wird, sowie von der Pflege, die er erhält. Einige Geräte wie Ackerfräsen, Pumpen und Kreiselmäher werden sehr oft in Staub oder Schmutz eingesetzt, wodurch es zu Erschütterungen kommen kann, die wie vorzeitiger Verschleiß aussehen. Derartiger Verschleiß, der

durch das Eindringen von Schmutz, Staub, Zündkerzen-Reinigungsmittel oder anderen scheuernden Stoffen in den Motor aufgrund von unzureichender Wartung verursacht wurde, wird nicht durch die Garantie abgedeckt.

**Diese Garantie deckt nur Material- und/oder Verarbeitungsschäden am Motor ab, und nicht den Austausch oder die Rückerstattung für das Gerät, an dem der Motor installiert ist. Außerdem gilt die Garantie nicht für Reparaturen, die durch folgendes notwendig geworden sind:**

1. PROBLEME DURCH TEILE, DIE KEINE BRIGGS & STRATTON-ORIGINALTEILE SIND.
2. Geräteeigler oder -vorrichtungen, die Start verhindern, unzureichende Motorleistung verursachen oder die Motorlebensdauer verkürzen. (Wenden Sie sich an den Gerätehersteller.)
3. Undichte Vergaser, verstopfte Kraftstoffrohre, blockierende Ventile oder andere Schäden durch die Verwendung von verunreinigtem oder altem Kraftstoff. (Sauberes, frisches, bleifreies Benzin und Briggs & Stratton-Kraftstoffstabilisator Teilnr. 5041 verwenden.)
4. Teile, die zerkerbt oder gebrochen sind, weil der Motor mit zu wenig oder verschmutztem Schmieröl oder einer falschen Schmierölsorte gelaufen ist (Olstand täglich bzw. alle 8 Betriebsstunden kontrollieren. Bei Bedarf Öl nachfüllen und die empfohlenen Ölwechselintervalle einhalten.) Das OIL GARD®-System stellt einen laufenden Motor u. U. nicht ab. Bei falschem Ölstand kann es zu Motorschaden kommen. Siehe Bedienungsanleitung & Wartungsvorschriften.
5. Reparatur oder Einstellungen montierter Teile wie Kupplungen, Getriebe, Fernbedienungen usw., die nicht von Briggs & Stratton hergestellt werden.

6. Schäden oder Verschleiß an Teilen durch Schmutz, der durch unzureichende Luftfilterwartung, falschen Wiederzusammenbau oder die Verwendung von nicht-originalen Luftfilterelementen oder Patronen in den Motor eingedrungen ist. (In den empfohlenen Intervallen das Oil-Foam®-Element bzw. den Schaum-Vorfilter und die Patrone austauschen.) Siehe Betriebsanleitung.
7. Teile, die durch Überdrehen oder Überhitzung aufgrund von Gras, Fremdkörpern oder Schmutz, die die Kühlrippen oder den Schwungradbereich verstopfen, beschädigt werden oder Schäden durch Einsatz des Motors in engen Räumen ohne ausreichende Belüftung. (Zylinderrippen, Zylinderkopf und Schwungrad in den empfohlenen Intervallen reinigen.) Siehe Betriebsanleitung.
8. Motor- oder Geräteteile, die durch starke Vibrationen durch lose Motormontage, lose Schnittmesser, unausgewuchtete Messer oder lose oder unausgewuchtete Impeller, falsche Montage des Geräts an der Motorkurbelwelle, Überdrehen oder anderen Missbrauch bei Betrieb gebrochen sind.
9. Eine verbogene oder gebrochene Kurbelwelle durch Auftreffen eines Kreiselmäher-Schnittmessers auf einen harten Gegenstand oder zu starke Spannung des Keilriemens.
10. Routineeinstellungen des Motors.
11. Schäden an Motor oder Motorkomponenten, d. h. an Verbrennungskammer, Ventilen, Ventilsitzen, Ventilführungen, oder durchgebrannte Starterwicklungen durch Verwendung von alternativen Kraftstoffen wie Flüssiggas, Erdgas, modifiziertes Benzin usw.

**Garantieleistungen sind nur durch Briggs & Stratton-Vertragshändler erhältlich. Sie finden den nächsten Vertragshändler in den "Gelben Seiten"™ unter "Motoren", "Benzinmotoren", "Rasenmäher" oder einer ähnlichen Rubrik.**

|  |           |           |           |           |           |           |           |           |           |              |
|--|-----------|-----------|-----------|-----------|-----------|-----------|-----------|-----------|-----------|--------------|
| Briggs & Stratton-Motoren werden unter einem oder mehreren der folgenden Patente hergestellt: Konstruktion D-247.177 (andere Patente angemeldet) |           |           |           |           |           |           |           |           |           |              |
| 6,325,036  | 6,077,063 | 5,819,513 | 5,606,948 | 5,497,679 | 5,235,943 | 5,138,996 | 4,996,956 | 4,633,556 | 4,430,984 | DES. 308,871 |
| 6,284,123  | 6,064,027 | 5,813,384 | 5,606,851 | 5,320,795 | 5,197,425 | 5,086,890 | 4,977,879 | 4,630,498 |           | DES. 308,872 |
| 6,260,529  | 6,014,808 | 5,765,713 | 5,548,955 | 5,271,363 | 5,197,422 | 5,070,829 | 4,971,219 | 4,522,080 |           | DES. 309,457 |
| 6,230,678  | 5,894,715 | 5,645,025 | 5,546,901 | 5,269,713 | 5,191,864 | 5,058,544 | 4,895,119 | 4,520,288 |           | DES. 356,951 |
| 6,202,616  | 5,852,951 | 5,642,701 | 5,503,125 | 5,265,700 | 5,188,069 | 5,040,644 | 4,819,593 | 4,512,499 |           | DES. 361,771 |
| 6,116,212  | 5,823,153 | 5,619,845 | 5,501,203 | 5,243,878 | 5,186,142 | 5,009,208 | 4,719,682 | 4,453,507 |           | DES. 375,963 |

## Håndbogens symboler

**1** - **9** henviser til figurerne på indersiden af omslaget.

**1** - **19** henviser til motorkomponenter på figuren **1**.

**1** - **9** henviser til reservedel/handling på figurerne.

Skriv din motors model-, type- og kodenumre her til senere brug.

Skriv købsdatoen her til senere brug.

## Motorkomponenter (se fig. 1)

- |   |  |                        |                         |
|---|--|------------------------|-------------------------|
| ① | Snorhåndtag                                      |                        |                         |
| ② | Gasregulator                                     |                        |                         |
| ③ | <b>Motor</b>                                     | <b>Model</b><br>xxxxxx | <b>Type</b><br>xxxx xx  |
|   |  |                        | <b>Kode</b><br>xxxxxxxx |
| ④ | Luftfilter                                       |                        |                         |
| ⑤ | Chokergreb                                       |                        |                         |
| ⑥ | Brændstofpåfyldning                              |                        |                         |
| ⑦ | Stopkontakt/Oil Gard®, hvis monteret             |                        |                         |
| ⑧ | Blæserhus  |                        |                         |
| ⑨ | Tændrørskabel                                    |                        |                         |
| ⑩ | Oliepåfyldning/oliepind                          |                        |                         |
| ⑪ | Lyddæmper  |                        |                         |
| ⑫ | Gnistfanger, hvis en sådan er monteret           |                        |                         |
| ⑬ | Aftapningsprop                                   |                        |                         |
| ⑭ | Oliepåfyldningsprop                              |                        |                         |
| ⑮ | 12V elstarter, hvis et sådant system er monteret |                        |                         |
| ⑯ | Brændstofhanen, hvis en sådan er monteret        |                        |                         |

## Advarselssymboler og -forklaringer



## Internationale symboler og forklaringer



## Sikkerhedsforskrifter

**FØR MOTOREN STARTES**

- Læs hele drifts- og vedligeholdelsesvejledningen OG betjeningsvejledningen til det redskab, som denne motor er monteret på.
- Undladelse af at følge vejledningen kan medføre alvorlig personskade eller død.

**DRIFTS- OG VEDLIGEHOLDELSERVEJLEDNINGEN INDEHOLDER SIKKERHEDSOPLYSNINGER, DER**

- Gør dig opmærksom på de farer, der er forbundet med motorer
- Oplyser dig om den risiko for skade, der knytter sig til disse farer, og
- Forklarer dig, hvordan du undgår skader eller nedsætter risikoen for skader.

\* Briggs & Stratton er ikke i alle tilfælde bekendt med det redskab, som denne motor anvendes til. Som følge heraf er det vigtigt, at du læser og forstår betjeningsvejledningen til det redskab, som motoren er monteret på.

Advarselssymbolet FARE anvendes til at fremhæve sikkerhedsoplysninger om farer, der kan medføre alvorlig personskade.

Ordene FARE, ADVARSEL og FORSIGTIG anvendes sammen med advarselssymbolet til at angive, hvor stor risikoen for skader er og omfanget eller alvoren af sådanne personskader. Desuden anvendes et faresymbol til at angive den relevante type fare.

**FARE** angiver en farlig situation, som vil medføre død eller alvorlig personskade, hvis den ikke undgås.

**FORSIGTIG** angiver en farlig situation, som kan medføre alvorlig eller moderat personskade, hvis den ikke undgås.

**ADVARSEL** angiver en farlig situation, som kan medføre død eller alvorlig personskade, hvis den ikke undgås.

**FORSIGTIG**, hvor dette anvendes **uden** advarselssymbolet, angiver det en situation, hvor **der kan ske skade på motoren**.

**ADVARSEL**

I henhold til amerikansk lovgivning (Californien) gøres der opmærksom på, at udstødningsskaderne fra denne maskine indeholder kræftfremkaldende stoffer. Disse stoffer kan ligeledes medføre foster-skader og har en negativ effekt på forplantrings-evnen.



**ADVARSEL**



Benzin og benzindampe er yderst brandfarlige og eksplosive.

Brand eller eksplosion kan medføre alvorlige forbrændinger eller døden.

#### PÅFYLDNING AF BRÆNDSTOF

- Sluk for motoren, og lad motoren køle af i mindst 2 minutter, før tankdækslet fjernes.
- Påfyld kun brændstof udendørs eller på et sted med god udluftning.
- Undgå at fylde for meget brændstof på tanken. Fyld tanken op til ca. 4 cm under kanten på påfyldningsstudsens, således at der er plads til, at brændstoffet kan udvide sig.
- Benzin skal opbevares i sikker afstand fra gnister, åben ild, vågeblus, varme og andre mulige antændelseskilder.
- Foretag hyppige eftersyn af brændstofslanger, tanken og tankdækslet samt fittings for revner og utætheder. Udskift om nødvendigt.

#### NÅR MOTOREN STARTES

- Sørg for, at tændrøret, lyddæmperen, tankdækslet og luftfilteret er på plads.
- Tørn ikke motoren, når tændrøret er afmonteret.
- Hvis du spilder brændstof, så vent med at starte motoren, indtil brændstoffet er fordampet.
- Hvis motoren er druknet, sættes chokeren i stillingen "OPEN/RUN" og gasregulatoren i stillingen "FAST", hvorefter motoren tøms, indtil den starter.

#### BETJENING AF REDSKABET

- Undgå at vippe motoren eller redskabet, således at benzinen løber ud.
- Brug ikke chokeren til at standse motoren.

#### TRANSPORT AF REDSKABET

- Redskabet skal transporteres med TOM brændstofftank eller med brændstoffhanen LUKKET.

#### OPBEVARING AF BENZIN OG REDSKABER MED BRÆNDSTOF I TANKEN

- Sørg for, at benzin og redskaber med brændstof i tanken opbevares i sikker afstand fra fyr, ovne, vandvarmere og andre apparater, hvori der anvendes vågeblus, samt andre antændelseskilder, da disse kan antænde benzindampe.



**ADVARSEL**



Start af motoren frembringer gnister.

Gnister kan antænde brændbare gasarter, der befinder sig i nærheden af motoren.

Dette kan medføre eksplosion og brand.

- Motoren må ikke startes, hvis der er naturgas eller flaskegas i nærheden.
- Der må ikke anvendes startvæske på dåse til at starte motoren, da dampene er brændbare.



**ADVARSEL**



Motorer udsender kulitte, der er en lugtfri og farveløs, giftig gasart.

Indånding af kulitte kan medføre kvalme, besvimelse eller døden.

- Motoren må kun startes og anvendes udendørs.
- Motoren må aldrig startes og anvendes i lukkede rum. Dette gælder også, selv om døre og vinduer er åbne.



**ADVARSEL**



Gnister, som frembringes ved et uheld, kan medføre brand eller stød.

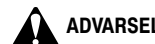
Start af motoren ved et uheld kan medføre, at personer kommer i klemme i redskabets mekanismer, legemsdele bliver skåret af eller personer får snitsår.

#### FØR JUSTERING ELLER REPARATION AF MOTOREN

- Tag tændrørskablet af tændrøret, og hold det i sikker afstand fra tændrøret.
- Tag minuskablet af batteriet, hvis motoren er udstyret med et elektrisk startsystem.

#### KONTROL AF GNIST

- Anvend en godkendt gnisttester.
- Kontrollér aldrig gnisten, når tændrøret er afmonteret.



**ADVARSEL**

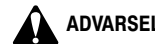


Kørende motorer udvikler varme. Motorens dele, især lyddæmperen, bliver meget varme.

Kontakt med varme dele kan forårsage alvorlige forbrændinger.

Der kan gå ild i brændbart affald som f.eks. blade, græs og grene.

- Lyddæmper, cylinder og køleribber skal køle af, før du rører ved dem.
- Fjern brændbart materiale, der samler sig i området omkring lyddæmperen og cylinderen.
- Hvis redskabet anvendes på steder med skov, græs eller krat, skal der monteres en gnistfanger. Den skal altid holdes i korrekt stand. Overhold altid lokale regler for brug af motorer - især i perioder med tørke, hvor der er større risiko for brand.



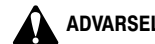
**ADVARSEL**



Hænder, fødder, hår og tøj kan sætte sig fast i redskabets roterende dele.

Dette kan medføre, at legemsdele skæres af, eller at brugeren får alvorlige snitsår.

- Redskabet må kun anvendes med alle sikkerhedsafskærmninger på plads.
- Hold hænder og fødder i sikker afstand fra roterende dele på redskabet.
- Langt hår bør bindes op, og smykker og lignende genstande bør tages af.
- Undgå at bære løstsiddende tøj, tøj med snore eller andre genstande, der kan sætte sig fast i redskabet.



**ADVARSEL**



Hurtig tilbagetrækning af startsnoren (tilbageslag) vil trække hånd og arm tilbage mod motoren, hurtigere end du kan nå at slippe snoren.

Dette kan medføre, at du brækker armen, får knoglebrud, blå mærker eller forstrækninger.

- Når du starter motoren, skal du trække langsomt i startsnoren, indtil du mærker modstand, og derefter trække hårdt i snoren.
- Sørg for, at alle anordninger på redskabet er udkoblet, dvs. at motoren ikke belastes, før du starter motoren.
- Direkte tilkoblede dele på redskabet som f.eks. skæreknive, skovhjul, remskiver, kædehjul, osv. skal være forsvarligt monteret.





## Anbefalinger vedr. olie (se fig. 2)

Motoren leveres fra Briggs & Stratton uden olie. Før motoren startes, skal der påfyldes olie. Undgå at fylde for meget olie på.

Anvend en selvrensende kvalitetolie, der er klassificeret som "For Service SF, SG, SH, SJ" eller bedre som f.eks. Briggs & Stratton 30W, delnummer 100005 (20 oz.) eller 100028 (48 oz.). Der må ikke anvendes særlige additiver sammen med de anbefalede olietyper. Bland ikke olien i benzinen.

Vælg den korrekte SAE-olietype ud fra det viste skema på grundlag af den forventede starttemperatur frem til næste olieskift.



**Bemærk:** Syntetisk olie, som er forsynet med certificeringsmærket ILSAC GF-2, API og API-servicesymbolet (vist til venstre) med "SJ/CF ENERGY CONSERVING" eller bedre kvaliteter, kan anvendes ved alle temperaturer. Brug af syntetisk olie ændrer ikke de påkrævede intervaller mellem olieskift.

\* Luftafkølede motorer bliver varmere end bilmotorer. Brug af ikke-syntetisk multiviskositetsolie, f.eks. (5W-30, 10W-30 osv.) ved temperaturer over 40° F (4° C) vil medføre et olieforbrug, der er højere end normalt. Ved brug af multiviskositetsolie bør oliestanden kontrolleres hyppigere.

\*\* Hvis der anvendes SAE 30-olie ved temperaturer under 4° C, kan det medføre startvanskeligheder og beskadigelse af cylinderen som følge af utilstrækkelig smøring.

**Undersøg oliestanden** Oliekapacitet efter modelserie er ca.:

1,3 liter til model 170000 og 190000.

1,4 liter til model 250000.

Anbring motoren på en plan flade, og rengør området omkring oliepåfyldningen ①.

Fjern oliepipinden ②, og tør den af med en ren klud. Sæt den i igen, og spænd den til. Tag oliepipinden ud, og kontrollér oliestanden. Olien bør nå FULL-mærket. Hvis der skal påfyldes olie, skal dette ske langsomt. Undgå at fylde for meget olie på.

ELLER

Fjern oliepåfyldningsproppen ③. Oliens bør være fyldt helt op til kanten ④.

Spænd oliepipinden eller oliepåfyldningsproppen godt fast, før motoren startes.

## Anbefalinger vedr. brændstof

Anvend ren, frisk, blyfri benzin med et oktantal på mindst 77. Blyholdig benzin kan anvendes, hvor dette kan købes og blyfri benzin ikke fås. Køb kun brændstof til 30 dages forbrug. Se afsnittet **Opbevaring**.

Anvend ikke benzin, der indeholder Metanol. Bland ikke olie og benzin.

Til beskyttelse af motoren anbefaler vi, at der anvendes Briggs & Stratton-brændstofstabilisator, der fås hos autoriserede Briggs & Stratton-forhandlere.

### Kontrollér brændstofstanden



Før der fyldes brændstof på, skal motoren køle af i 2 minutter.

Rengør området omkring påfyldningsstudsens, før tankdækslet fjernes for at fylde brændstof på tanken. Fyld tanken op til ca. 4 cm under kanten på påfyldningsstudsens, således at der er plads til, at brændstoffet kan udvide sig. Undgå omhyggeligt at fylde for meget brændstof på.

## Start (se fig. 3 4)



ANBRING ALDRIG HÆNDER OG FØDDER I NÆRHEDEN AF BEVÆGELIGE DELE PÅ REDSKABET.



Anvend ikke startvæske på spraydåse. Dampene fra startvæske er brandfarlige.

Redskabet skal altid startes, opbevares og påfyldes brændstof i vandret stilling.

Kontrollér oliestanden.

Drej brændstofhanen, hvis en sådan er monteret.

**ADVARSEL: OIL GARD®**, hvis dette udstyr er monteret, (se 7 fig. 1) er beregnet til at forhindre start af motoren, hvis der er for lidt olie på motoren. **OIL GARD®** vil ikke i alle tilfælde standse motoren. Motoren kan beskadiges, hvis oliestanden ikke holdes på korrekt niveau. Dette vil medføre bortfald af garantien. Kontrollér altid oliestanden, før motoren startes.

Hvis motoren er udstyret med **OIL GARD®**, og oliestanden i motoren falder, advares en lampe på motoren om, at oliestanden er lav. Hvis lampen blinker, og motoren ikke kan startes eller stopper og ikke kan genstartes, skal der fyldes ny olie på motoren. Der skal fyldes olie på helt op til kanten på modeller med oliepåfyldningsprop eller op til FULL-mærket på oliepipinden. Undgå at fylde for meget olie på.

### Før start (se fig. 3)

1. Sæt chokergrebet ① i stillingen CHOKE.
2. Sæt gasregulatoren ② i stillingen FAST, hvis en sådan er monteret.
3. Drej brændstofhanen ③ om i stillingen ON, hvis en sådan er monteret.
4. Sæt stopgrebet ④ i stillingen ON, hvis et sådant er monteret.

Bemærk: Hvis motoren er udstyret med Oil Gard®, vil en blinkende lampe i vippestopkontakten ① advare om lav oliestand eller motoren vil standse og ikke kunne genstartes. Påfyld olie. Fyld olie på op til FULL-mærket på oliepipinden (undgå at fylde for meget olie på) eller indtil olien flyder over ved oliepåfyldningsproppen.

### Tilbagebløvsstarter (se fig. 4)



Tag fat i startsnorens håndtag, og træk langsomt, indtil du mærker modstand. Træk derefter kraftigt i startsnoren for at overvinde kompressionen, forhindre tilbageslag og starte motoren. Gentag

om nødvendigt med chokergrebet i stillingen RUN og gasregulatoren i stillingen FAST. Når motoren er startet, betjenes den med gasregulatoren i stillingen FAST.

### Elstarter (se fig. 4)

På motorer med 12 volt startsystemer, drejes nøglen om i stillingen START ①, eller der trykkes på startknappen ②. Gentag om nødvendigt med chokeren i stillingen RUN og gasregulatoren i stillingen FAST. Når motoren starter, betjenes den med grebet i stillingen FAST.

Bemærk: Hvis redskabsproducenten medleverer et batteri, skal dette oplades i henhold til redskabsproducentens anbefalinger, før der gøres forsøg på at starte motoren.

Bemærk: Anvend korte startsekvenser (15 sekunder pr. min.) for at forlænge starterens levetid. Længerevarende tøvning kan ødelægge startmotoren.

## Standse motoren (se fig. 5)

Sæt ikke chokergrebet i stillingen CHOKE for at standse motoren. Dette kan få motoren til at eftertænde, eller beskadige motoren. Sæt gasregulatoren i stillingen IDLE eller SLOW ①, hvis monteret. Drej derefter nøglen om i stillingen OFF og sæt stopgrebet i stillingen OFF ②. Luk brændstofhanen ③.

Bemærk: Fjern altid nøglen fra kontakten, når redskabet ikke anvendes eller efterlades uden opsyn.

Bemærk: Når motoren transporteres, skal brændstofhanen lukkes for at forhindre udsvivning.

### Justeringer (se fig. 6)



For at forhindre utilsigtet start skal tændrørskabet ① tages af tændrøret og stel-forbindes, før der foretages justering. Hvis motoren er

udstyret med et batteri, skal minuskablet fjernes fra batteriet.

### Justering af gasregulator (se fig. 6)

#### Manuel friktionsstyring

Løsn eller tilspænd vingemøtrikken ② på styrepladen, indtil gasregulatoren ③ bevæger sig med nogen modstand og stadig forbliver i den ønskede stilling, når motoren kører.

#### Fjernstyring

Kabinettets klemskrue løsnes ④. Kabinet og kabel ⑤ flyttes så langt som muligt i den med pilen viste retning. Sæt gasregulatoren i stillingen FAST. Tilspænd kabinettets klemskrue.

#### Fast regulatorstyring

Stilleskruen for maksimalt omdrejningstal ⑥ er fabriksindstillet som specificeret af redskabsproducenten. FORETAG IKKE JUSTERING. Hvis justering er påkrævet, kontaktes nærmeste autoriserede Briggs & Stratton-forhandler.

#### Karburatorjustering



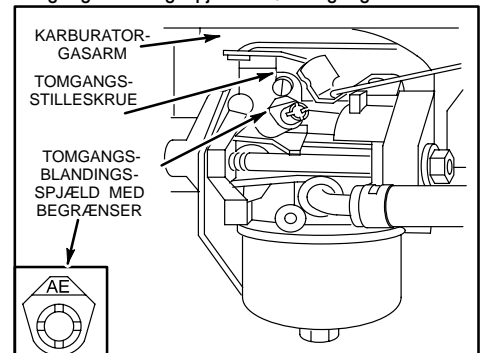
Producenten af det redskab, hvorpå denne motor er monteret, angiver det maksimale omdrejningstal, hvormed motoren skal køre. OVERSKRID IKKE dette omdrejningstal.

Kontakt din autoriserede Briggs & Stratton-forhandler vedr. karburatorjustering.

Start motoren og lad den varme op i ca. 5 minutter, før der foretages justering. Mens motoren kører, sættes gasregulatoren i stillingen SLOW. Drej karburatorens gasarm mod tomgangsstillingskruen og hold den der. Indstil tomgangsstillingskruen til 1750 omdrej./m.

Drej tomgangsblendingsspjældet en omgang med uret og derefter mod uret. Til sidst sættes tomgangsblendingsspjældet i midterstillingen. Indstil tomgangsstillingskruen til 1750 omdrej./min.

Sæt gasregulatoren i stillingen FAST. Motoren skal gå jævnt op i omdrejninger. Hvis den ikke gør det, drejes tomgangsblendingsspjældet 1/8 omgang mod uret.



## Vedligeholdelse (se fig. 7 8 9)

Se **Vedligeholdelsesoversigt**. Følg time- eller sæsonintervallerne, **alt efter hvad der indtræffer først**. Hyppigere eftersyn er nødvendige, hvis motoren anvendes under krævende forhold.



For at forhindre utilsigtet start, fjernes tændrørskablet ① og forbindes til jord, før der foretages eftersyn. Tag minuskablet

af batteriet, hvis motoren er udstyret med et elektrisk startsystem.

### Olieeftersyn (se fig. 7)

Kontrollér oliestanden regelmæssigt.

Sørg for, at oliestanden altid er korrekt. Kontrollér hver 5 driftstime eller dagligt, før motoren startes. Se fremgangsmåden for oliepåfyldning under **Anbefalinger vedr. olie**.

### Olieskift

Skift olie efter de første 5 timers drift. Skift olie, mens motoren er varm. Påfyld frisk olie af den anbefalede SAE-type (se fig. 2).

### Gearreduktion, hvis monteret

Fjern oliepåfyldningsproppen ② og oliestandsproppen ③. Tap olien af for hver 100 driftstimer eller en gang om året. Ved påfyldning af ny olie hældes SAE 30 olie ned i oliepåfyldningshullet, indtil den løber ud af kontrolhullet for oliestanden. Sæt begge propper i igen. Oliepåfyldningsproppen er forsynet med et åndehul ④ og skal monteres oven på gearkassedækslet.

### Eftersyn af luftfilter (se fig. 8)

Udskift forfilteret ②, og/eller patronen ③, hvis den er meget snavset eller beskadiget.

1. Løsn skrue. Fjern derefter dækslet og luftfilterenheden fra bundpladen.
2. Tag luftfilterenheden ud af dækslets inderside, og skil den ad.

Forfilteret efterses ved at vaske det i flydende rengøringsmiddel og vand. Pres det tørt i en ren klud. Gennemvæd det i motorolie. Pres det i en tør, sugende klud for at fjerne AL OVERSKYDENDE olie.

Patronen efterses ved at banke den forsigtigt mod en plan flade. Anvend ikke oliebaseerede opløsningsmidler som f.eks. petroleum, da dette vil få patronen til at nedbrydes. Anvend ikke trykluft, da dette kan ødelægge patronen. Oliér ikke patronen.

3. Montér holderen ④, forfilteret (forfilterets skærm-side vendende mod patronens plisseringer) og patronen i dækslet.
4. Sæt tapperne ⑤ på dækslet i rillerne ⑥ i bundpladen. Spænd dækselskruerne godt fast.

### Tændrørseftersyn (se fig. 8)



KONTROLLÉR IKKE gnisten med tændrøret afmonteret. Brug kun Briggs & Stratton-gnistestest ⑥ til at kontrollere gnisten. Tørn ALDRIG

motoren, når tændrøret er afmonteret. Hvis motoren er druknet, sættes gasregulatoren i stillingen FAST og motoren tørnes, indtil den starter.

Elektrodeafstanden ⑦ bør være 0,76 mm.

Rens/udskift tændrøret for hver 100 driftstimer eller en gang om året, alt efter hvad der indtræffer først. Du kan få en tændrørstester og tændrørnsøgle hos din autoriserede Briggs & Stratton-forhandler.

Bemærk: På motorer i modelserierne 19E400, 19F400 og 19G400 anvendes kun tændrør del nr. 496018. På motorer i modelserierne 192400, 196400, 197400, 250400, 256400 og 257400 anvendes kun tændrør del nr. 492167 eller støj-dæmpet tændrør del nr. 802592, alt efter gældende krav.

Bemærk: I nogle lande kræver den lokale lovgivning, at der anvendes støj-dæmpet tændrør til at dæmpe tændings-signaler. Hvis motoren oprindeligt var udstyret med et støj-dæmpet tændrør, skal samme type tændrør anvendes ved udskiftning.

### Hold motoren ren (se fig. 9)

Fjern jævnligt aflejringer af græs og avner fra motoren. Sprøjt ikke vand på motoren for at rengøre denne, da vand kan forurene brændstoffet. Rengør med en børste eller trykluft.



Avner/snavs omkring lyddæmperen ② kan medføre brand. Efterse og rengør, før du starter motoren.

Hvis lyddæmperen er udstyret med gnistfangerskærm ③, afmonteres gnistfangerskærmen for hver 50. driftstime eller hver sæson med henblik på eftersyn og rensning. Udskift skærmen, hvis den er beskadiget.

For at medvirke til problemfri drift skal regulatorforbindelser, fjedre og betjeningsgreb ④ holdes fri for snavs.



Udskift det indbyggede brændstoffilter ⑤. Tap brændstoffet af tanken, eller luk for brændstoffanoden, før brændstoffilteret udskiftes.

Rens kølesystemet. Avner og snavs kan tilstoppe motorens luftkølesystem, især efter længere tids brug. Det kan være nødvendigt at rengøre de indvendige køleribber og overflader for at forhindre overophedning og beskadigelse af motoren. Fjern blæserhuset, og rens det som vist ⑥.

## Vedligeholdelsesoversigt

Følg de angivne time- eller sæsonintervaller, alt efter hvad der indtræffer først. Bemærk, at hyppigere eftersyn kan være påkrævet under nedennævnte ugunstige driftsforhold.

### Første 5 driftstimer

- Skift olie

### For hver 5 driftstimer eller hver dag

- Kontrollér oliestanden
- Rengør omkring lyddæmper, fjedre og forbindelseskabler

### For hver 25 driftstimer eller en gang om året

- Skift olie, hvis motoren arbejder under stor belastning eller høje lufttemperaturer
- Efterse luftfilter/forfilter\*

### For hver 50 driftstimer eller en gang om året

- Skift olie
- Rens og efterse gnistfangeren, hvis en sådan er monteret

### For hver 100 driftstimer eller en gang om året

- Efterse luftfilterets patron\*
- Udskift det indbyggede brændstoffilter, hvis et sådant er monteret
- Udskift/rens tændrøret
- Skift olie i gearreduktionen, hvis en sådan er monteret
- Rengør kølesystemet\*

\* Rengør oftere under støvede forhold eller på steder med meget snavs eller avner i luften.

### Liste over originale Briggs & Stratton-dele (i uddrag)

#### Briggs & Stratton (eller tilsvarende)

| Del  | Del nr.             |
|--|---------------------|
| Olie (20 oz.)  | 100005              |
| Olie (48 oz.)  | 100028              |
| Oliepumpesæt (anvendes sammen med almindelig elboremaskine)                | 5056                |
| til hurtig aftapning af olie fra motoren)                                  |                     |
| Brændstoffstabilisator (30 ml pose til engangsbrug)                        | 992030              |
| Brændstoffstabilisator (125 ml flaske)                                     | 999005E (5041)      |
| Brændstoffilter (uden brændstoffpumpe)                                     | 298090 (5018)       |
| Brændstoffilter (med brændstoffpumpe)                                      | 394358 eller 493629 |
| Luftfilterpatron   | 492889              |
| Luftfilter, forfilter  | 496077              |
| Støj-dæmpet tændrør (model 19E400, 19F400 og 19G400)                       | 496018E             |
| Tændrør med platin (ekstra lang levetid)                                   | 5066                |
| (model 19E400, 19F400 og 19G400)   |                     |
| Støj-dæmpet tændrør (model 192400, 196400, 197400, 250400, 256400, 257400) | 802592E             |
| Standard tændrør (model 192400, 196400, 197400, 250400, 256400, 257400)    | 492167              |
| Tændrør med platin (ekstra lang levetid)                                   | 992041 (5062)       |
| (model 192400, 196400, 197400, 250400, 256400 og 257400)                   |                     |
| Gnistestest  | 19368               |
| Tændrørnsøgle  | 89838 (5023)        |
| Gnistfanger  | 399541 eller 392390 |

## Opbevaring

Motorer, der skal opbevares i mere end 30 dage, skal beskyttes eller tømmes for brændstof for at forhindre opbygning af gummi aflejringer i brændstofsyste­met og i vitale karburatordele.

Til beskyttelse af motoren anbefaler vi, at der anvendes Briggs & Stratton-brændstofstabilisator, der fås hos autoriserede Briggs & Stratton-forhandlere. Bland brændstofstabilisatoren i benzinen i brændstoftanken eller i en separat dunk. Lad motoren køre et øjeblik, således at brændstofstabilisatoren cirkulerer gennem karburatoren. Motor og brændstof kan opbevares i op til 24 måneder.

Bemærk: Hvis der ikke benyttes brændstofstabilisator, eller hvis motoren kører på benzin blandet med alkohol, f.eks. Gasohol, tappes al brændstof af tanken, hvorefter motoren køres tom for benzin.

1. Skift olie. Se **Olieeftersyn (se fig. [2] [7])**.
2. Afmonter tændrøret og hæld ca. 30 ml motorolie ned i cylinderen. Sæt tændrøret i igen, og tørn motoren langsomt for at fordele olien.
3. Fjern avner og snavs fra cylinderen, topstykkets ribber, under fingerskærmen og bagved lyd­dæmperen.
4. Opbevar motoren på et rent, tørt sted, men IKKE i nærheden af fyr, ovn eller vandvarmer, som benytter vågeblus eller et andet aggregat, der kan frembringe gnister.

## Eftersyn

Kontakt din autoriserede Briggs & Stratton-forhandler. Han kan tilbyde dig et udvalg af originale Briggs & Stratton-reservedele og er udstyret med specielt værktøj til eftersyn. Veluddannede mekanikere sørger for professionel service og reparation af alle Briggs & Stratton-motorer. Kun forhandlere, hvis skilte bærer påskriften "Autoriseret Briggs & Stratton", skal overholde Briggs & Stratton-standarderne.

Når du køber redskaber, der er udstyret med en Briggs & Stratton-motor, er du garanteret professionel, pålidelig service fra mere end 30.000 autoriserede forhandlere over hele verden, herunder mere end 5.000, der er berettiget til at benytte betegnelsen "Master Service Technicians". Se efter disse skilte, hvor Briggs & Stratton-service tilbydes.



Du kan finde den nærmeste autoriserede Briggs & Stratton-forhandler ved at besøge vores hjemmeside på adressen [www.briggsandstratton.com](http://www.briggsandstratton.com) eller i telefonbogen under "Motorer, benzin-" eller "Benzinmotore", "Plæneklippere" eller tilsvarende rubrikker.



Bemærk: "Walking fingers"-logoet og "Yellow Pages™" er registrerede varemærker i forskellige rets­områder. Den illustrerede værkstedshåndbog omfatter "Driftsteorier", generelle specifikationer samt detaljerede oplysninger om justering, optuning og reparation af 1-cylindrede 4-takts Briggs & Stratton-motorer med L-topstykker. Bestil reservedel nr. 273172 hos din autoriserede Briggs & Stratton-forhandler.

Forlang originale Briggs & Stratton-reservedele med vort logo stemplet på æsken og/eller reservedelen. Uoriginale reservedele kan give dårligere ydelse, og brug af sådanne dele kan medføre, at garantien på din motor bortfalder.

# GARANTIBEVIS FOR EJERE AF BRIGGS & STRATTON-MOTORREDSKABER

Gældende fra 1. januar 2003, erstatter alle udaterede garantier og alle garantier dateret før 1. januar 2003

## BEGRÆNSET GARANTI

Briggs & Stratton Corporation reparerer eller erstatter vederlagsfrit enhver del eller dele på en motor, som er defekte som følge af materiale- eller fremstillingsfejl. Transportudgifter vedrørende dele, som indsendes til reparation eller udskiftning i henhold til denne garanti, afholdes af køber. Denne garanti gælder i de perioder og på de nedenfor anførte betingelser. For at få udført garantiservice skal du kontakte den nærmeste autoriserede serviceforhandler, som du finder i vores forhandleroversigt på [www.briggsandstratton.com](http://www.briggsandstratton.com) eller ved at ringe 1-800-233-3723 (eller som anført i telefonbogen™).

DER FINDES INGEN ANDEN UDTRYKkelig GARANTI. STILTIENDE GARANTIER, HERUNDER GARANTI FOR SALGBARHED OG EGNETHED TIL ET BESTEMT FORMÅL, ER BEGRÆNSET TIL ET ÅR FRA KØBSTIDSPUNKTET, ELLER I DET OMFANG DETTE TILLADES I HENHOLD TIL GÆLDENDE LOVGIVNING. DENNE GARANTI OMFATTER INDIREKTE TAB ELLER FØLGETAB, I DET OMFANG AT EN SÅDAN UNDTAGELSE ER TILLADT I HENHOLD TIL GÆLDENDE LOVGIVNING. Nogle lande tillader ikke begrænsninger på varigheden af en stiltiende garanti, og nogle lande tillader ikke undtagelse eller begrænsning af indirekte tab eller følgetab, og som følge heraf er det ikke sikkert, at ovenstående begrænsning og undtagelse gælder for dig. Denne garanti giver dig specifikke juridiske rettigheder, og du kan endvidere have andre rettigheder, som kan variere fra land til land.

## VORES PRODUKT

|                  |   |  |                 |              |
|------------------|---|--|-----------------|--------------|
| <b>VANGUARD™</b> | <b>ELS™</b><br><b>I/C®</b><br><b>Industrial Plus™</b><br><b>Intek™</b><br>(Sleeve Bore) | <b>Force™</b><br><b>Intek™</b> (Kool Bore)<br><b>Power Built™ OHV</b><br><b>QUANTUM®</b><br><b>Quattro™</b><br><b>Q45™</b><br><b>Sprint™</b> | <b>Classic™</b> | <b>Etek™</b> |
|------------------|---|--|-----------------|--------------|

## GARANTIPERIODE\*

|                     |      |      |         |         |      |
|---------------------|------|------|---------|---------|------|
| Almindelig brug     | 2 år | 2 år | 2 år    | 1 år    | 1 år |
| Erhvervsmæssig brug |      | 1 år | 90 dage | 90 dage |      |

\* **Bemærk følgende særlige garantiperioder: 2 for Classic™-motorer i EU- og østeuropæiske lande, for alle forbrugerprodukter i EU og for emissionsreguleringssystemer på motorer, der er godkendt af EPA og CARB. 5 år for almindelig brug, 90 for erhvervsmæssig brug af Touch-N-Mow®-starter på Quantum®- og Intek™-motorer. Motorer, der anvendes i væddeløbskørsel eller på kommercielle eller lejede baner, er ikke omfattet af garantien.**

Garantiperioden løber fra den dato, hvor den første privatkunde eller erhvervskunde købte produktet, og løber i den tidsperiode, der er anført i ovenstående tabel. "Almindelig brug" betyder brug i privat husholdning af en almindelig privatbruger. "Erhvervsmæssig brug" henviser til al øvrig brug, herunder brug til erhvervs-, indtægts- eller lejeformål. Når en motor har været anvendt erhvervsmæssigt, skal den herefter anses for at være en motor til erhvervsbrug i henhold til denne garanti.

**FREMVISNING AF GARANTIBEVIS ER IKKE PÅKRÆVET FOR AT GØRE GARANTIE PÅ BRIGGS & STRATTON-PRODUKTER GÆLDENDE. GEM DIN KØBSKVITTERING. HVIS DU IKKE KAN FREMVISSE DOKUMENTATION FOR DEN OPRINDELIGE KØBSDATO PÅ DET TIDSPUNKT, HVOR GARANTIKRAVET GØRES GÆLDENDE, VIL PRODUKTETS FREMSTILLINGSDATO BLIVE BRUGT SOM GRUNDLAG FOR GARANTIPERIODEN.**

## MOTORGARANTI

Briggs & Stratton udfører gerne garantiarbejde og udskylder for den ulejlighed, du har haft i forbindelse hermed. En autoriseret serviceforhandler kan udføre de nødvendige garantireparationer. De fleste garantireparationer udføres rutinemæssigt, men nogle gange kan ønskes om garantiarbejde ikke imødekommes. Garantien gælder f.eks. ikke, hvis motorskaden opstod som følge af forkert brug, mangel på regelmæssig vedligeholdelse, ukorrekt transporthåndtering, opbevaring eller montering. Garantien bortfalder ligeledes, hvis motorens serienummer er fjernet, eller hvis motoren er ændret eller modificeret. Hvis en kunde er uenig i serviceforhandlerens afgørelse, vil der blive iværksat en undersøgelse for at afgøre, om garantien gælder i den pågældende sag. Bed serviceforhandleren om at sende alt støttemateriale til sin distributor eller fabrik til gennemgang. Hvis distributøren eller fabrikken afgør, at garantikravet er berettiget, godtgøres kunden for alle defekte dele. For at undgå, at der opstår misforståelser mellem kunden og forhandleren, er der nedenfor anført nogle årsager til motordefekter, som ikke er omfattet af garantien.

### Normal slitage:

Ligesom alt andet mekanisk udstyr skal motordele efterses regelmæssigt og udskiftes for at yde det optimale. Garantien omfatter ikke reparationsarbejde, hvis en del eller motoren eller slidt op som følge af normal brug.

### Utilstrækkelig vedligeholdelse:

En motors levetid afhænger af de forhold, den anvendes under, og dens vedligeholdelse. Udstyr som f.eks. fræsere, pumper og rotorplæneklippere anvendes ofte under meget stovede eller snavede forhold, hvilket kan forårsage, hvad der tilsyneladende er for tidligt slitage. Slitage, som skyldes snavs, støv, slibemiddel til tændrør eller andre slibende materialer, der er kommet i motoren på grund af forkert vedligeholdelse, er ikke omfattet af garantien.

**Denne garanti omfatter kun motordefekt som følge af materiale- og/eller fremstillingsfejl og ikke udskiftning eller erstatning af det redskab, hvorpå motoren er monteret. Endvidere omfatter garantien ikke reparationer som følge af:**

1. PROBLEMER, SOM SKYLDES BRUG AF DELE, DER IKKE ER ORIGINALE BRIGGS & STRATTON-DELE.
2. Redskabets betjeningsgreb eller installationer, som forhindrer start, forårsager utilfredsstillende motorydelse eller afkorter motorens levetid. (Yderligere oplysninger fås ved at kontakte redskabsproducenten).
3. Lækkende karburatorer, tilstoppede brændstofslinger, fastsiddende ventiler eller anden skade, som skyldes brug af forurenede eller gammelt brændstof. (Anvend ren, ny blyfri-benzin og Briggs & Stratton-brændstofstabilisator, delnr. 5041).
4. Dele, som er ridsede eller knækket, fordi en maskine er betjent med utilstrækkelig eller forurenede smørelie eller en forkert kvalitet. (Kontroller oliestanden dagligt eller for hver otte timers drift. Genopfyld efter behov, og foretag olieskift på baggrund af de anbefalede intervaller). OIL GARD® vil ikke i alle tilfælde standse motoren. Motoren kan beskadiges, hvis oliestanden ikke kontrolleres regelmæssigt. Læs drifts- og vedligeholdelsesvejledningen.
5. Reparation eller justering af tilhørende dele eller konstruktioner som f.eks. koblinger, gearkasser, fjernbetjeninger osv., som ikke er Briggs & Stratton-produkter.
6. Beskadigelse af eller slitage på dele, som skyldes snavs i motoren på grund af manglende vedligeholdelse af luftfilter, ukorrekt genmontering eller brug af et uoriginalt luftfilter eller en uoriginal filterindsats. (Rens og gensmør Oil-Foam®-elementet eller

skumfilteret og udskift filterindsatsen på baggrund af de anbefalede intervaller). Læs drifts- og vedligeholdelsesvejledningen.

7. Dele, som beskadiges på grund af for høje omdrejningstal eller overophedning forårsaget af græs, aflejringer eller snavs, som tilstopper kølerribberne eller området omkring svinghjulet ved brug af motoren i et lukket rum uden tilstrækkelig ventilation. (Rengør regelmæssigt ribberne på cylinderen, topstykket og svinghjulet i henhold til de anbefalede intervaller.) Læs drifts- og vedligeholdelsesvejledningen.
8. Motor- eller redskabsdele, der knækker på grund af for voldsomme vibrationer eller følge af løs motormontering, løse skæreknive, ubalancerede knive eller løse eller ubalancerede impellere, forkert montering af redskabet på motorens krumtapaksel, kørsel med for høje omdrejningstal eller anden forkert brug.
9. En bøjet eller brækket krumtapaksel som følge af påkørsel af en fast genstand med plæneklipperens skæreknive eller en for stram kilerem.
10. Rutinemæssig optuning eller justering af motoren.
11. Motor- eller komponentsvigt (forbrændingskammer, ventiler, ventil sæder, ventilstyr) eller brændte startmotorviklinger som følge af brug af alternative brændstoffer som f.eks. flydende petroleum, naturgas, alternative benzinblandinger osv.

**Garantiarbejde må kun udføres af serviceforhandlere, som er autoriseret af Briggs & Stratton Corporation. Du kan også finde den nærmeste autoriserede Briggs & Stratton-forhandler i telefonbogen under "Motorer, benzin-", "Benzinmotorer", "Plæneklippere" eller tilsvarende rubrikker.**

|   |           |           |           |           |           |           |           |           |           |              |
|---|-----------|-----------|-----------|-----------|-----------|-----------|-----------|-----------|-----------|--------------|
| Briggs & Stratton-motorer fremstilles i henhold til et eller flere af følgende patenter: Design D-247,177 (yderligere patentansøgninger indgivet) |           |           |           |           |           |           |           |           |           |              |
| 6,325,036   | 6,077,063 | 5,819,513 | 5,606,948 | 5,497,679 | 5,235,943 | 5,138,996 | 4,996,956 | 4,633,556 | 4,430,984 | DES. 308,871 |
| 6,284,123   | 6,064,027 | 5,813,384 | 5,606,851 | 5,320,795 | 5,197,425 | 5,086,890 | 4,977,879 | 4,630,498 |           | DES. 308,872 |
| 6,260,529   | 6,014,808 | 5,765,713 | 5,548,955 | 5,271,363 | 5,197,422 | 5,070,829 | 4,971,219 | 4,522,080 |           | DES. 309,457 |
| 6,230,678   | 5,894,715 | 5,645,025 | 5,546,901 | 5,269,713 | 5,191,864 | 5,058,544 | 4,895,119 | 4,520,288 |           | DES. 356,951 |
| 6,202,616   | 5,852,951 | 5,642,701 | 5,503,125 | 5,265,700 | 5,188,069 | 5,040,644 | 4,819,593 | 4,512,499 |           | DES. 361,771 |
| 6,116,212   | 5,823,153 | 5,619,845 | 5,501,203 | 5,243,878 | 5,186,142 | 5,009,208 | 4,719,682 | 4,453,507 |           | DES. 375,963 |

## Cómo Usar las Figuras del Manual

- 1 - 9 refiérase a las figuras en el interior de los cuadros.
- 1 - 19 refiérase a los componentes del motor en la figura 1.
- 1 - 9 refiérase a la acción parcial en las figuras.

Registre los números del Modelo, Tipo y Código de su motor aquí para un futuro uso.

Registre aquí su fecha de compra para un futuro uso.

## Componentes del Motor

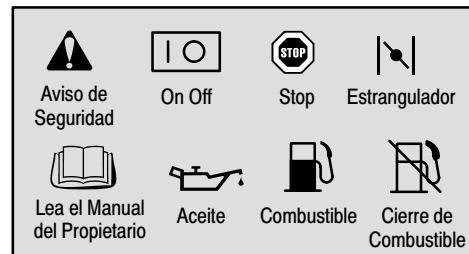
(vea la fig. 1)

- | Motor | Modelo | Tipo    | Código   |
|-------|--------|---------|----------|
| 1     | xxxxxx | xxxx xx | xxxxxxxx |
- 1 Manija de la Cuerda
  - 2 Control del Acelerador
  - 3 Motor
  - 4 Filtro de Aire
  - 5 Control del Estrangulador
  - 6 Llenado de Combustible
  - 7 Suiche de Parada/ Oil Gard®, (Protector de Aceite), si está equipado
  - 8 Tapa Ventilador
  - 9 Cable de la Bujía
  - 10 Llenado de Aceite/Varilla Indicadora de Nivel
  - 11 Mofle
  - 12 Atrapachispas, si está equipado
  - 13 Tapón de Drenaje
  - 14 Tapón de Llenado de Aceite
  - 15 Arranque Eléctrico de 12V, si está equipado
  - 16 Válvula de Cierre de Combustible, si está equipado

## Símbolos de Peligro y Significados



## Símbolos Internacionales y Significados



## Precauciones de Seguridad



### ANTES DE OPERAR EL MOTOR

- Lea completamente las Instrucciones de Mantenimiento & Operación Y las instrucciones para el equipo acoplado a este motor.\*
- Dejar de seguir las instrucciones podría ocasionar heridas graves o la muerte.

### LAS INSTRUCCIONES DE MANTENIMIENTO & OPERACION CONTIENEN INFORMACION DE SEGURIDAD PARA

- Hacer que usted tome conciencia de los peligros asociados con los motores
- Informarlo a usted del riesgo de las heridas asociado con aquellos peligros, y
- Contarle como evitar o reducir el riesgo de una herida.

\* Briggs & Stratton no sabe necesariamente que equipo que va a acoplar este motor. Por esta razón, usted debe leer cuidadosamente y comprender las instrucciones de operación para el equipo en el cual es colocado su motor.

El símbolo de aviso de seguridad es usado para identificar información de seguridad concerniente a los peligros que pueden producir heridas personales.

Una palabra señalizada (PELIGRO, ADVERTENCIA o PRECAUCION) es usada con el símbolo de aviso para indicar la probabilidad de una herida y su gravedad potencial. Además, un símbolo de peligro puede ser utilizado para representar el tipo de peligro.

**PELIGRO** indica un peligro que si no es evitado, ocasionará la muerte o heridas graves.

**ADVERTENCIA** indica un peligro que si no es evitado, ocasionaría la muerte o heridas graves.

**PRECAUCION** indica un peligro que si no es evitado, podría ocasionar heridas menores o moderadas.

**PRECAUCION**, cuando es usado sin el símbolo de aviso, indica una situación que podría ocasionar daños en el motor.



### ADVERTENCIA



El gas de escape que emite el motor por este producto contiene químicos conocidos para el Estado de California que causan cáncer, defectos de nacimiento u otros daños en la reproducción.

 **ADVERTENCIA**



La gasolina y sus vapores son extremadamente inflamables y explosivos.

El fuego o una explosión pueden causar graves quemaduras o la muerte.

**CUANDO AÑADA COMBUSTIBLE**

- APAGUE el motor y deje que se enfríe al menos 2 minutos antes de remover la tapa de gasolina.
- Llene el tanque de combustible en exteriores o en un área bien ventilada.
- No llene demasiado el tanque de combustible. Llene el tanque hasta aproximadamente 1-1/2 pulgadas por debajo de la parte superior del cuello para permitir la expansión del combustible.
- Mantenga la gasolina a distancia de chispas, llamas abiertas, luces piloto, calor y otras fuentes de encendido.
- Compruebe con frecuencia si existen grietas o fugas en los conductos de combustible, el tanque, la tapa y en los accesorios. Cámbielos si es necesario.

**CUANDO DE ARRANQUE AL MOTOR**

- Asegúrese que la bujía, el mofo, la tapa de combustible y el filtro de aire estén en su lugar.
- No de arranque al motor si removió la bujía.
- Si se derramó combustible, espere hasta que se haya evaporado antes de dar arranque al motor.
- Si el motor se inunda, ajuste el estrangulador a la posición OPEN/RUN, coloque el acelerador en la posición FAST y de arranque hasta que prenda el motor.

**CUANDO OPERE EL EQUIPO**

- No incline el motor ni el equipo a un ángulo el cual pueda ocasionar derrames de gasolina.
- No ahogue el carburador para detener el motor.

**CUANDO TRANSPORTE EL EQUIPO**

- Transpórtelo con el tanque de combustible VACÍO o con la válvula de cierre de combustible en la posición OFF.

**CUANDO ALMACENE GASOLINA O EL EQUIPO CON COMBUSTIBLE EN EL TANQUE**

- Almacene a distancia de hornos, estufas, calentadores de agua u otros aparatos que utilicen luz piloto u otras fuentes de encendido ya que estos pueden encender los vapores de gasolina.

 **ADVERTENCIA**



Dar arranque al motor crea chispeo.

El chispeo puede encender los gases inflamables cercanos.

Podría presentarse fuego o una explosión.

- Si hay una fuga de gas natural o LP en el área, no de arranque al motor.
- No use líquidos de arranque presurizado ya que los vapores son inflamables.

 **ADVERTENCIA**



Los motores emiten monóxido de carbono, un gas venenoso que carece de olor y de color.

Respirar monóxido de carbono puede ocasionar náuseas, desmayos o la muerte.

- De arranque al motor y opérela en exteriores.
- No de arranque al motor ni lo opere en un área encerrada, aun cuando las puertas o las ventanas se encuentren abiertas.

 **ADVERTENCIA**



Un chispeo involuntario puede producir fuego o una descarga eléctrica.

Una puesta en marcha involuntaria puede ocasionar un enredo, una amputación traumática o una laceración.

**ANTES DE HACER AJUSTES O REPARACIONES**

- Desconecte el cable de la bujía y manténgalo a distancia de bujía.
- Desconecte la batería en la terminal negativa (únicamente motores con arranque eléctrico).

**CUANDO COMPRUEBE CHISPA**

- Utilice un probador de bujías aprobado.
- No compruebe chispa si removió la bujía.

 **ADVERTENCIA**



El funcionamiento de los motores produce calor. Las partes de los motores, especialmente el mofo, se calientan demasiado.

Pueden ocurrir graves quemaduras a causa de su contacto.

Desechos combustibles, tal como hojas, grama maleza, etc. pueden alcanzar a encenderse.

- Deje que el mofo, el cilindro y las aletas del motor se enfríen antes de tocarlos.
- Remueva los combustibles acumulados en el área del mofo y en el área del cilindro.
- Instale y mantenga en orden de funcionamiento un atrapachispas antes de utilizar el equipo en una zona con vegetación tupida o en terrenos agrestes con grama. El Estado de California lo exige (Sección 4442 del Código de Recursos Públicos de California). Otros estados pueden tener leyes similares. Las leyes federales se aplican en tierras federales.

 **ADVERTENCIA**



Las partes rotantes pueden tener contacto o enredar las manos, los pies, el cabello, la ropa o los accesorios.

Puede producirse una traumática amputación o una grave laceración.

- Opere el equipo con los protectores en su lugar.
- Mantenga las manos y los pies a distancia de las partes rotantes.
- Cójase el cabello y quítese las joyas.
- No use ropa floja, tiras que cuelguen o artículos que puedan ser agarrados.

 **ADVERTENCIA**



La retracción rápida de la cuerda del arranque (contragolpe) halará la mano y el brazo hacia el motor más rápido de lo que usted la pueda dejar ir.

Podrían ocasionarse roturas de huesos, fracturas, moretones o torceduras.

- Cuando de arranque al motor, hale lentamente la cuerda hasta que se sienta resistencia, después hale la cuerda rápidamente.
- Remueva todas las cargas externas del equipo/motor antes de dar arranque al motor.
- Los componentes de acople directo del equipo tal como, pero no limitados a, cuchillas, impulsores, poleas, dientes de piñones, etc. se deben asegurar firmemente.


## Recomendaciones para el

### Aceite (vea la fig. [2])

El motor es despachado de Briggs & Stratton sin aceite. Antes de dar arranque al motor, aprovisionelo de aceite. No lo llene demasiado.

Use un aceite detergente de alta calidad clasificado "Para Servicio SF, SG, SH, SJ" o superior tal como el aceite con grado de viscosidad 30W de Briggs & Stratton, Número de Parte 100005 (20 onzas) o 100028 (48 onzas). No use aditivos especiales con aceites recomendados. No mezcle el aceite con la gasolina.

Escoja el grado de viscosidad SAE del aceite según este cuadro que iguala la temperatura de arranque anticipada antes del próximo cambio de aceite.



**Nota:** El aceite sintético que cumple con ILSAC GF-2, marca de certificación API y símbolo de servicio API (mostrado a la izquierda) con "CONSERVACION DE ENERGIA SJ/CF" o mayor, es un aceite aceptable a todas las temperaturas. El uso de aceites sintéticos no altera los intervalos de cambio de aceite requeridos.

\* La temperatura de funcionamiento de los motores enfriados por aire es superior a la de los motores automoviles. El uso de aceites multigrados no sintéticos (5W-30, 10W-30, etc.) a temperaturas superiores a 40° F (4° C) producirá más alto consumo de aceite del normal. Cuando utilice aceites multigrados, compruebe el nivel de aceite con mayor frecuencia.

\*\* El uso de aceite de viscosidad SAE 30, si es usado por debajo de 40° F (4° C), producirá dificultad de arranque y un posible daño en el bloque del motor debido a una lubricación inadecuada.

**Compruebe el nivel de aceite.** La capacidad de aceite según el Modelo Serie es aproximadamente:

1.3 litros o 44 onzas para los Modelos 170000 y 190000.

1.4 litros o 48 onzas para los Modelos 250000.

Coloque el motor a nivel y limpie el área alrededor del llenado de aceite [1].

Remueva la varilla indicadora de nivel [2], límpiela con un trapo limpio, insértela y apriétela nuevamente. Remueva la varilla indicadora de nivel y compruebe el nivel de aceite. El aceite debe alcanzar la marca FULL. Si se requiere aceite, añádale lentamente. No lo llene demasiado.

Remueva el tapón de llenado de aceite [3]. El aceite debe quedar full, hasta que se rebese [4].

Apriete la varilla indicadora de nivel o el tapón de llenado de aceite firmemente antes de dar arranque al motor.

## Recomendaciones para el Combustible

Use gasolina limpia, fresca, sin plomo con un mínimo de 77 octanos. Puede usarse gasolina con plomo si ésta es comercialmente disponible y si no se dispone de gasolina sin plomo. Compre una provisión de combustible que pueda usarse en un periodo de 30 días. Consulte el aparte: **Bodegaje**.

No use gasolina que contenga Metanol. No mezcle aceite con gasolina.

Para proteger el motor se recomienda el uso del Estabilizador de Combustible Briggs & Stratton

disponible a través de cualquier Centro de Servicio Autorizado Briggs & Stratton.

### Compruebe el nivel de combustible



Antes de aprovisionarlo de combustible, deje que el motor se enfríe 2 minutos.

Limpie el área alrededor del llenado de combustible antes de remover la tapa para aprovisionar de combustible. Llene el tanque hasta aproximadamente 1-1/2 pulgadas por debajo de la parte superior del cuello para permitir la expansión del combustible. Tenga cuidado de no llenar demasiado el tanque.

### Arranque (vea las figuras [3] [4])



MANTENGA SIEMPRE LAS MANOS Y LOS PIES A DISTANCIA DE LAS PARTES MOVILES DEL EQUIPO.

No use líquido de arranque presurizado. Los vapores son inflamables.

De arranque, almacene y aprovisione de combustible en una posición a nivel.

Compruebe el nivel de aceite.

Abra la válvula de cierre de combustible, si está equipado.

**PRECAUCION:** El dispositivo protector de aceite "OIL GARD®", si está equipado (vea la [7] fig. [1]) tiene como propósito evitar que se de arranque a un motor que tenga bajo nivel de aceite. El OIL GARD® no puede apagar un motor funcionando. Podrían ocurrir daños en el motor si no se mantiene el correcto nivel de aceite lo que invalidará la cobertura de la garantía. Compruebe siempre el nivel de aceite antes de darle arranque al motor.

Si el motor viene equipado con dispositivo protector de aceite OIL GARD®, y si el motor está operando con bajo aceite, una luz en el motor le advierte del bajo nivel de aceite. Si la luz titila y no se puede arrancar el motor, o si el motor se ha detenido y no se puede volver a arrancar, añada aceite. Llene hasta el punto del rebese en la tapa de llenado de aceite o hasta la marca FULL en la varilla indicadora de nivel de aceite. No lo llene demasiado.

### Antes de arrancar (vea la fig. [3])

1. Mueva el control del estrangulador [1] hacia la posición CHOKE.
2. Mueva el control del acelerador [2] hacia la posición FAST, si está equipado.
3. Gire la válvula de cierre de combustible [3] hacia la posición ON, si está equipado.
4. Mueva el control de parada [4] hacia la posición ON, si está equipado.

Nota: Si el motor vino equipado con Oil Gard®, (Protector de Aceite), una luz que titila en el suche de parada [5] le advertirá del bajo nivel de aceite o el motor se detendrá y no podrá ser arrancado nuevamente. Añada aceite. Llene hasta la marca FULL en la varilla indicadora de nivel (no lo llene demasiado) ni lo rebese en el tapón de llenado de aceite.

### Arranque Retráctil (vea la fig. [4])



Agarre la manija de la cuerda y hale lentamente hasta que se sienta resistencia. Después hale la cuerda rápidamente para vencer la compresión, prevenir un contragolpe y arrancar el motor. Repita si es necesario con el estrangulador en la posición RUN y el acelerador en la posición FAST. Cuando el motor arranque, opérelolo en la posición FAST.

### Arranque Eléctrico (vea la fig. [4])

Para los motores equipados con sistemas de arranque de 12 voltios, gire la llave hacia la posición START [1] o presione el botón de arranque [2]. Repita si es necesario con el estrangulador en la posición RUN y con el control del acelerador en la posición FAST. Cuando el motor arranque, opérelolo en la posición FAST.

Nota: Si el fabricante del equipo suministró la batería, cárguela antes de intentar darle arranque al motor, como lo recomienda el fabricante del equipo.

Nota: Use ciclos de arranque cortos (15 segundos por minuto) para alargar la vida del arranque. Una acción de arranque prolongada puede dañar el motor de arranque.

### Parada (vea la fig. [5])

No mueva el control del estrangulador hacia la posición CHOKE para detener el motor. Podría ocurrir una explosión o un daño en el motor. Mueva el control del acelerador hacia la posición IDLE o SLOW [1], si está equipado. Gire después la llave hacia la posición OFF o mueva el control de parada hacia la posición OFF [2]. Cierre la válvula de cierre de combustible [3].

Nota: Remueva siempre la llave del suiche cuando el equipo no esté en uso o cuando lo deje sin atención. Nota: Cuando transporte el motor, cierre la válvula de cierre de combustible para prevenir fugas de combustible.

### Ajustes (vea la fig. [6])



Para prevenir un arranque accidental, remueva el cable de la bujía [1] y conéctelo a tierra antes de hacer ajustes, y desconecte la batería, en la terminal negativa, si está equipado.

### Ajustes del control del acelerador (vea la fig. [6])

#### Control de fricción manual

Afloje o apriete la tuerca mariposa [2] en el plato de control hasta que el control del acelerador [3] se mueva con cierta resistencia y permanezca todavía en la posición deseada cuando esté funcionando el motor.

#### Control Remoto

Afloje el tornillo de sujeción cubierta [4]. Mueva la cubierta y el cable [5] en la dirección de la flecha hasta el final del recorrido. Mueva el control del acelerador hacia la posición FAST. Apriete el tornillo de sujeción cubierta.

#### Control Fijo del Regulador

El tornillo de ajuste de máxima velocidad [6] ha sido pre-ajustado de fábrica como lo recomienda el fabricante del equipo. NO LO AJUSTE. Si se requiere ajuste, consulte cualquier centro de servicio autorizado Briggs & Stratton.

#### Ajuste del Carburador



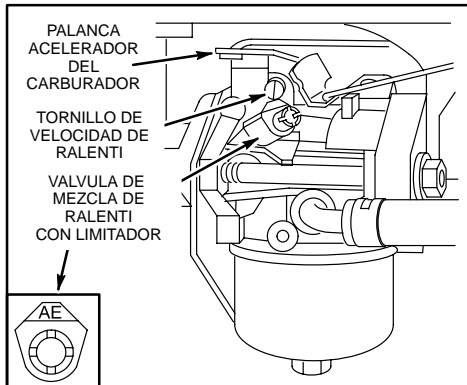
El fabricante del equipo en el cual es instalado el motor especifica la velocidad máxima en la cual será operado el motor. NO EXCEDA esta velocidad.

Consulte un Centro de Servicio Autorizado Briggs & Stratton para el ajuste del carburador.

Prenda el motor y caliéntelo aproximadamente durante 5 minutos antes de hacer ajustes. Con el motor funcionando, coloque el control del acelerador en la posición SLOW. Gire la palanca del acelerador del carburador contra el tornillo de velocidad de ralentí y sosténgala. Gire el tornillo de velocidad de ralentí hasta obtener 1750 rpm. Gire la válvula de mezcla de ralentí todo el recorrido en sentido de las agujas del reloj y después en sentido contrario al de las agujas del reloj. Finalmente, coloque la

válvula de mezcla de ralentí en la mitad del recorrido. Compruebe la velocidad de ralentí y ajuste nuevamente a 1750 rpm, si es necesario.

Mueva el control del acelerador hacia la posición FAST. El motor debe acelerar suavemente. Si no, ajuste la válvula de mezcla de ralentí en sentido contrario al de las agujas del reloj 1/8 de vuelta.



## Mantenimiento

(vea las figuras 7 8 9)

Consulte el **Programa de Mantenimiento**. Siga los intervalos por horas de trabajo o por calendario, lo que ocurra primero. Se requiere servicio más frecuente cuando se opera en condiciones adversas.



Para prevenir un arranque accidental, remueva el cable de la bujía 7 y conéctelo a tierra antes de darle servicio y desconecte la batería, en la terminal negativa, si está equipado.

### Servicio para el Aceite (vea la fig. 7)

Compruebe el nivel de aceite con regularidad. Asegúrese de mantener el correcto nivel de aceite. Compruébelo cada 5 horas o diariamente, antes de darle arranque al motor. Consulte el procedimiento de llenado de aceite en el aparte: **“Recomendaciones para el Aceite”**.

#### Cambie aceite

Cambie aceite después de las primeras 5 horas de operación. Cambie aceite mientras que el motor está caliente. Rellene con aceite nuevo del grado de viscosidad SAE recomendado (vea la fig. 2).

#### Reductor, si está equipado

Remueva el tapón de llenado de aceite 2 y el tapón de nivel de aceite 3. Drene aceite cada 100 horas de operación o cada estación. Para acabar de llenar, vierta aceite SAE 30 en el orificio de llenado de aceite hasta que salga por el orificio de comprobación de nivel. Coloque ambos tapones. El tapón de llenado de aceite tiene un orificio de ventilación 4 y debe ser instalado en la parte superior de la tapa de la caja del reductor.

### Servicio para el filtro de aire (vea la fig. 8)

Cambie el pre-filtro 2, y/o el cartucho 3 si está muy sucio o dañado.

1. Afloje los tornillos. Remueva después la tapa y el conjunto del filtro de aire de la base.
2. Remueva el conjunto del filtro de aire desde el interior de la tapa y desármelo.

Para darle servicio al pre-filtro, lávelo en detergente líquido y agua. Escúrralo hasta secarlo en un trapo limpio. Satúrelo en aceite para motor. Escúrralo con un trapo absorbente y limpio para remover TODO EL EXCESO de aceite.

Para darle servicio al cartucho, límpielo golpeándolo ligeramente sobre una superficie plana. No use solventes a base de petróleo, tal como, kerosene, el cual ocasionará que se deteriore el cartucho. No use aire presurizado, ya que este puede dañar el cartucho. No aceite el cartucho.

3. Instale el retenedor 4, el pre-filtro (con el lado de la rejilla del pre-filtro hacia los pliegues del cartucho) y el cartucho en la tapa.
4. Inserte las lengüetas 5 en las muescas de la tapa 5 en la base. Apriete firmemente los tornillos de la tapa.

### Servicio para la bujía (vea la fig. 8)



NO compruebe chispa si removió la bujía. Use únicamente el Probador de Chispa Briggs & Stratton 6, para comprobar chispa. NO haga girar el motor si se removió la bujía. Si el motor está inundado, coloque el acelerador en la posición FAST y de arranque hasta que prenda el motor.

El entrehierro de la bujía 7 debe ser de .76 o 0.030 pulgadas.

Limpie/cambie la bujía cada 100 horas o cada estación, lo que ocurra primero. Se dispone de probadores de chispa y de llaves de bujía a través de cualquier Centro de Servicio Autorizado Briggs & Stratton.

Nota: En los motores Modelos Serie 19E400, 19F400, 19G400 use únicamente la bujía, número de parte 496018. En los motores Modelos Serie 192400, 196400, 197400, 250400, 256400, 257400 use la bujía estándar, número de parte 492167 o la bujía con resistencia, número de parte 802592, según sea necesario.

Nota: En algunas áreas las leyes locales requieren el uso de una bujía con resistencia para suprimir las señales de encendido. Si este motor vino originalmente equipado con una bujía con resistencia, utilice el mismo tipo de bujía cuando la vaya a cambiar.

### Mantenga limpio el motor (vea la fig. 9)

Remueva periódicamente los residuos y desechos acumulados en el motor. No use atomizador con agua para limpiar el motor ya que el agua podría contaminar el combustible. Límpielo con un cepillo o con aire comprimido.



Una acumulación de desechos alrededor del mofle 2 podría ocasionar una explosión. Inspecciónelo y límpielo antes de cada uso.

Si el mofle viene equipado con malla atrapachispas 3, remueva la malla atrapachispas para su limpieza e inspección cada 50 horas o cada estación. Cámbiela si está dañada.

Para asegurar una operación suave, mantenga las varillas del regulador, los resortes y los controles 4 libres de desechos.



Cambie el filtro en-línea de combustible 5. Drene el tanque de combustible o cierre la válvula de cierre de combustible antes de cambiar el filtro de combustible.

Limpie el sistema de enfriamiento. Los residuos o desechos pueden obstruir el sistema de enfriamiento de aire del motor, especialmente después de una operación prolongada. Las aletas de enfriamiento internas y las superficies pueden requerir limpieza para prevenir recalentamiento y daños en el motor. Remueva la tapa del ventilador y límpiela como se indica 6.

## Programa de mantenimiento

Siga los intervalos por horas de trabajo o por calendario, lo que ocurra primero. Se puede requerir un servicio más frecuente cuando se opera bajo condiciones adversas como las anotadas a continuación.

### Las Primeras 5 Horas

- Cambie aceite

### Cada 5 horas o diariamente

- Compruebe el nivel de aceite
- Limpie el área alrededor del mofle, los resortes y las varillas

### Cada 25 horas o cada estación

- Cambie aceite si se opera con carga pesada o en temperaturas ambiente altas
- Servicio para el pre-filtro del filtro de aire\*

### Cada 50 Horas o cada estación

- Cambie aceite
- Limpie e inspeccione el atrapachispas, si está equipado

### Cada 100 horas o cada estación

- De servicio al cartucho del filtro de aire\*
- Cambie el filtro en-línea de combustible, si está equipado
- Cambie/limpie la bujía
- Cambie el aceite del reductor, si está equipado
- Limpie el sistema de enfriamiento\*

\* Limpie con mayor frecuencia bajo condiciones de mucho polvo, o cuando se presenten muchos desechos o residuos en el aire.

## Lista Parcial de Partes Originales Briggs & Stratton

### Briggs & Stratton (o su equivalente)

| Parte   | Parte No.       |
|---|-----------------|
| Aceite (20 onzas)   | 100005          |
| Aceite (48 onzas)   | 100028          |
| Kit Bomba de Aceite<br>(usa taladro eléctrico estándar para remover rápidamente el aceite del motor)                  | 5056            |
| Estabilizador de Combustible<br>(Cojin Individual de 1 onza, 30 ml)   | 992030          |
| Estabilizador de Combustible<br>(Envase de 4.2 onzas, 125 ml)   | 999005E (5041)  |
| Filtro de Combustible<br>(sin bomba de combustible)   | 298090 (5018)   |
| Filtro de Combustible<br>(con bomba de combustible)   | 394358 o 493629 |
| Cartucho de Filtro de Aire  | 492889          |
| Pre-Filtro del Filtro de Aire   | 496077          |
| Bujía con Resistencia<br>(modelos 19E400, 19F400, 19G400)   | 496018E         |
| Bujía de Platino de Larga Vida<br>(modelos 19E400, 19F400, 19G400)  | 5066            |
| Bujía con Resistencia (modelos 192400, . . . 802592E<br>196400, 197400, 250400, 256400, 257400)                       | 802592E         |
| Bujía Estándar (modelos 192400, . . . . . 492167<br>196400, 197400, 250400, 256400, 257400)                           | 492167          |
| Bujía de Platino de Larga Vida . . . . . 992041 (5062)<br>(modelos 192400, 196400, 197400, 250400, 256400,<br>257400) | 992041 (5062)   |
| Probador de Chispa  | 19368           |
| Llave de Bujía  | 89838           |
| Atrapachispas   | 399541 o 392390 |



## Bodegaje

Los motores que van a ser almacenados durante más de 30 días necesitan ser protegidos o drenarles el combustible para evitar la formación de depósitos de goma en el sistema de combustible o en las partes esenciales del carburador.

Para proteger el motor, se recomienda el uso del Estabilizador de Combustible Briggs & Stratton disponible a través de cualquier centro de servicio autorizado Briggs & Stratton. Mezcle el estabilizador con el combustible en el tanque o en el recipiente de almacenamiento. Opere el motor durante un período de tiempo corto para permitir que el estabilizador circule por el carburador. El motor y el combustible pueden ser almacenados hasta por 24 meses.

Nota: Si no se usa el estabilizador o si el motor está operando con gasolina que contenga alcohol, tal como gasohol, remueva todo el combustible del tanque y opere el motor hasta éste que se detenga por la falta de combustible.

1. Cambie aceite. Consulte el aparte **“Servicio para el Aceite”** (vea las figuras [2] [7]).
2. Remueva la bujía y vierta aproximadamente 1 onza (30 ml) de aceite para motor en el interior del cilindro. Coloque de nuevo la bujía y haga girar el motor lentamente para distribuir el aceite.
3. Limpie los cortes de grama y desechos del cilindro, aletas de la culata, por debajo del protector de dedos y por detrás del mofle.
4. Guárdelo en un área limpia y seca, pero NO cerca a estufas, hornos o calentadores de agua los cuales utilizan luz piloto ni cerca de cualquier dispositivo que pueda crear chispa.


## Servicio

Busque un centro de servicio autorizado Briggs & Stratton. Cada centro cuenta con un stock de repuestos originales Briggs & Stratton y está equipado con herramientas de servicio especiales. Los mecánicos entrenados le aseguran un experto servicio de reparación en todos los motores Briggs & Stratton. Todo concesionario que se anuncie como “Autorizado por Briggs & Stratton” debe satisfacer los estándares establecidos por Briggs & Stratton.

Cuando usted compra un equipo acoplado por un motor Briggs & Stratton, usted está seguro del servicio confiable y altamente calificado en más de 30,000 Centros de Servicio Autorizados a nivel mundial, incluyendo más de 5,000 Técnicos de Servicio Especializado. Busque estos símbolos dondequiera que se ofrezca servicio Briggs & Stratton.



Usted puede localizar su centro de servicio autorizado Briggs & Stratton más cercano en nuestro mapa de localización de distribuidores o en nuestra página web

 [www.briggsandstratton.com](http://www.briggsandstratton.com) o en el directorio de “Páginas Amarillas™” bajo “Motores, Gasolina” o “Motores a Gasolina”, o “Máquinas Cortacésped” o en una categoría similar.

Nota: El logo de los dedos caminando y “Páginas Amarillas™” son marcas registradas en varias jurisdicciones.

El manual de taller ilustrado incluye “Teorías de Operación”, especificaciones comunes e información detallada que cubre ajuste, afinación y reparación de los motores monocilíndricos de culata en “L”, de 4 tiempos Briggs & Stratton. Pídalo como la Parte Número 270962 a través de un Centro de Servicio Autorizado Briggs & Stratton.

Insista en repuestos originales Briggs & Stratton con nuestro logo impreso en el empaque y/o en el repuesto. Las imitaciones pueden no funcionar bien y podrían invalidar su garantía.

# POLIZA DE GARANTIA DEL PROPIETARIO DEL MOTOR BRIGGS & STRATTON

Vigente a partir de Enero 1, 2003 reemplaza todas las Garantías previas sin fecha y todas las Garantías fechadas antes de Enero 1, 2003

## GARANTIA LIMITADA

Briggs & Stratton Corporation reparará o reemplazará, sin costo alguno, cualquier parte(s) del motor consideradas como defectuosas en material, mano de obra o ambos. Los gastos de transporte de las partes sometidas a reparación o cambio bajo esta Garantía deben ser abonados por el comprador. Esta garantía tiene vigencia durante el período de tiempo señalado en la misma, quedando sujeta a las condiciones establecidas en esta póliza. Para recibir servicio de garantía, contacte su Centro de Servicio Autorizado más cercano en nuestro mapa de localización de centros de servicio en [www.briggsandstratton.com](http://www.briggsandstratton.com), o marque el 1-800-233-3723, o según aparezca listado en las "Páginas Amarillas™".

NO EXISTE NINGUNA OTRA GARANTIA EXPRESA. LAS GARANTIAS IMPLICITAS, INCLUSO AQUELLAS DE MERCANTIBILIDAD O ADAPTABILIDAD PARA UN FIN DETERMINADO QUEDAN LIMITADAS A UN AÑO A PARTIR DE LA FECHA DE COMPRA O A LA EXTENSION PERMITIDA POR LA LEY, QUEDANDO EXCLUIDAS TODAS LAS GARANTIAS IMPLICITAS. LA RESPONSABILIDAD POR DAÑOS FORTUITOS O CONSECUENTES BAJO CUALQUIER Y TODAS LAS GARANTIAS QUEDA EXCLUIDA EN LA MEDIDA QUE DICHA EXCLUSION SEA PERMITIDA POR LA LEY. Algunos países o estados no contemplan limitaciones en cuanto a la duración de una garantía implícita, y otros países o estados no permiten la exclusión o limitación de daños consecuentes o incidentales, en cuyo caso la limitación y la exclusión anteriores pueden no ser aplicables para usted. Esta garantía le da derechos legales específicos, pudiendo tener a su vez otros derechos que varían de un país a otro y de un estado a otro.

## NUESTRO PRODUCTO

|                  |  |  |                 |              |
|------------------|--|--|-----------------|--------------|
| <b>VANGUARD™</b> | <b>ELS™</b><br>I/C®<br><b>Industrial Plus™</b><br>Intek™<br>(Camisa de Cilindro) | <b>Fource™</b><br>Intek™<br>(Cilindro de Aluminio)<br><b>Power Built™ OHV</b><br><b>QUANTUM®</b><br><b>Quattro™</b><br><b>Q45™</b><br><b>Sprint™</b> | <b>Classic™</b> | <b>Etek™</b> |
|------------------|--|--|-----------------|--------------|

## PERIODO DE GARANTIA\*

|               |        |        |         |         |       |
|---------------|--------|--------|---------|---------|-------|
| Uso Privado   | 2 años | 2 años | 2 años  | 1 año   | 1 año |
| Uso Comercial | 2 años | 1 año  | 90 días | 90 días | 1 año |

\* **Observe los siguientes períodos especiales de garantía:** 2 años para los motores Classic™ en los países de la Unión Europea y de Europa Oriental, para todos los productos del consumidor en la Unión Europea, y para los sistemas del control de emisiones certificados por EPA y CARB. 5 años para uso privado, 90 días para uso comercial del sistema de arranque Touch-N-Mow® en los motores Quantum® e Intek™. **Los motores usados en carreras competitivas o en trayectorias comerciales o de renta no están cubiertos por la garantía.**

El período de garantía comienza a partir de la fecha en la cual lo compró el consumidor detallista original o usuario final comercial, y continúa por el período de tiempo establecido en la tabla anterior. "Uso privado" significa uso doméstico personal por el consumidor detallista original. "Uso Comercial" significa todos los otros usos, incluyendo fines comerciales o que produzcan ingresos o renta. Una vez que el motor haya experimentado uso comercial, será considerado en adelante como motor de uso comercial para fines de esta garantía.

**NO ES NECESARIA NINGUNA TARJETA DE REGISTRO (GARANTIA) PARA OBTENER LA GARANTIA EN PRODUCTOS BRIGGS & STRATTON. GUARDE SU RECIBO CON LA PRUEBA DE LA FECHA DE COMPRA. SI USTED NO SUMINISTRA UNA PRUEBA DE LA FECHA DE COMPRA INICIAL EN EL MOMENTO DE REQUERIR SERVICIO DE GARANTIA, SE USARA LA FECHA DE FABRICACION DEL PRODUCTO PARA DETERMINAR EL PERIODO DE GARANTIA.**

## ACERCA DE LA GARANTIA DE SU MOTOR

Briggs & Stratton recibe con agrado la reparación bajo garantía y se disculpa por los inconvenientes presentados. Cualquier Centro de Servicio Autorizado puede hacer reparaciones bajo garantía. La mayor parte de las reparaciones bajo garantía se atienden de manera rutinaria, pero algunas veces las peticiones para el servicio de garantía pueden no ser apropiadas. Por ejemplo, la garantía no podría aplicarse si el daño del motor ocurrió debido a abuso, falta del mantenimiento habitual, transporte, manejo, bodegaje o instalación inapropiados. De igual manera se invalidará la garantía si el número serial del motor ha sido removido o si el motor ha sido alterado o modificado.

Si un cliente no está de acuerdo con la decisión del Centro de Servicio, se realizará una investigación para determinar la aplicabilidad de la garantía. Pida a su Centro de Servicio que envíe toda la información pertinente a su Distribuidor o a la Fábrica para proceder a su revisión. Si el Distribuidor o la Fábrica deciden que su reclamación es justificada, al cliente le será reembolsado totalmente el importe de aquellas partes que son defectuosas. Para evitar cualquier malentendido que pudiera presentarse entre el cliente y el Centro de Servicio, listamos a continuación algunas de las causas de fallas del motor que no cubre la garantía.

### Desgaste Normal:

Los motores, como todos los dispositivos mecánicos, necesitan el cambio y el servicio periódico de las partes para desempeñarse bien. La garantía no cubrirá la reparación cuando el uso normal haya agotado la vida de una parte o de un motor.

### Mantenimiento Incorrecto:

La vida útil de un motor depende de las condiciones bajo las cuales opere el motor y del cuidado que éste reciba. Algunas aplicaciones, tales como cultivadoras, bombas y máquinas cortacésped rotantes, se utilizan con mucha frecuencia en condiciones de mucho polvo o en condiciones muy sucias, las cuales pueden hacer que parezca un desgaste prematuro del motor. Tal desgaste, cuando es ocasionado por suciedad, polvo o por el

hecho de limpiar la bujía con chorro de arena, o porque otro material abrasivo haya entrado al motor debido a un mantenimiento no apropiado, no será cubierto por la garantía.

**Esta garantía cubre únicamente, material defectuoso y/o mano de obra relacionados con el motor, y no el cambio o reembolso del equipo en el cual haya sido montado el motor. Ni extenderá la garantía a reparaciones requeridas debido a:**

1. PROBLEMAS OCASIONADOS POR EL USO DE PARTES QUE NO SEAN PARTES ORIGINALES BRIGGS & STRATTON.
2. Controles del equipo o instalaciones que impidan el arranque, ocasionando un rendimiento poco satisfactorio del motor, o que acorten la vida del motor. (Contacte el fabricante del equipo.)
3. Carburadores con fugas, conductos de combustible obstruidos, válvulas atascadas u otros daños causados por el uso de combustible contaminado o pasado. (Use gasolina limpia, fresca y sin plomo y el Estabilizador para Combustible de Briggs & Stratton Parte No. 5041.)
4. Partes que se hayan rayado o reventado por operar el motor con aceite lubricante insuficiente o contaminado, o por el uso del grado de viscosidad de aceite incorrecto (compruebe el nivel de aceite diariamente o después de cada 8 horas de operación. Rellene si es necesario y cámbielo según los intervalos recomendados.) El dispositivo protector del aceite "OIL GARD®" no se puede apagar durante la operación del motor. Se podrían presentar daños en el motor si el nivel de aceite no se mantiene correctamente. Lea las Instrucciones de Mantenimiento & Operación.
5. Reparación o ajuste de partes asociadas o conjuntos tales como embragues, transmisiones, controles remoto, etc., los cuales no son fabricados por Briggs & Stratton.
6. Daño o desgaste de partes causado por la entrada de suciedades al motor debido al mantenimiento incorrecto del filtro de aire, montaje incorrecto, o por el uso de un elemento o cartucho para el

filtro de aire que no sea original. (Limpie y vuelva a aplicar aceite al elemento de Espuma-Aceitada® o el pre-filtro de espuma y cambie el cartucho.) Lea las Instrucciones de Mantenimiento & Operación.

7. Partes dañadas por velocidad excesiva o recalentamiento causado por residuos de grama, desechos o suciedades los cuales tapan u obstruyen las aletas de enfriamiento, o el área de la volante, o daños causados por operar el motor en un área confinada sin la suficiente ventilación. (Limpie las aletas en el cilindro, la culata y la volante según los intervalos recomendados.) Lea las Instrucciones de Mantenimiento & Operación.
8. Partes del motor o del equipo quebradas por vibración excesiva causada por un montaje flojo del motor, cuchillas de corte flojas, cuchillas o impulsores flojos o no balanceados, fijación incorrecta del equipo al cigüeñal del motor, velocidad excesiva u otro abuso en la operación.
9. Un cigüeñal deformado o quebrado causado por golpear con un objeto sólido la cuchilla de corte de una máquina cortacésped rotante, o por tensión excesiva de las correas en-v.
10. Afinación o ajuste de rutina del motor.
11. Desgaste del motor o de los componentes del motor, es decir, cámara de combustión, válvulas, asientos de válvulas, guías de válvulas o bobinados del motor de arranque quemados, causado por el uso de combustibles alternos tales como, petróleo líquido, gas natural, gasolinas alteradas, etc.

**Usted dispone de la garantía únicamente a través de centros de servicio que hayan sido autorizados por Briggs & Stratton Corporation. Su Centro de Servicio Autorizado más cercano aparece listado en las "Páginas Amarillas™" de su directorio telefónico bajo "Motores, Gasolina" o "Motores a Gasolina", "Máquinas Cortacésped," o en una categoría similar.**

| Los Motores Briggs & Stratton Son Fabricados Bajo Una O Más De Las Sigüientes Patentes: Diseño D-247,177 (Otras Patentes Pendientes) |           |           |           |           |           |           |           |           |           |              |
|--|-----------|-----------|-----------|-----------|-----------|-----------|-----------|-----------|-----------|--------------|
| 6,325,036  | 6,077,063 | 5,819,513 | 5,606,948 | 5,497,679 | 5,235,943 | 5,138,996 | 4,996,956 | 4,633,556 | 4,430,984 | DES. 308,871 |
| 6,284,123  | 6,064,027 | 5,813,384 | 5,606,851 | 5,320,795 | 5,197,425 | 5,086,890 | 4,977,879 | 4,630,498 |           | DES. 308,872 |
| 6,260,529  | 6,014,808 | 5,765,713 | 5,548,955 | 5,271,363 | 5,197,422 | 5,070,829 | 4,971,219 | 4,522,080 |           | DES. 309,457 |
| 6,230,678  | 5,894,715 | 5,645,025 | 5,546,901 | 5,269,713 | 5,191,864 | 5,058,544 | 4,895,119 | 4,520,288 |           | DES. 356,951 |
| 6,202,616  | 5,852,951 | 5,642,701 | 5,503,125 | 5,265,700 | 5,188,069 | 5,040,644 | 4,819,593 | 4,512,499 |           | DES. 361,771 |
| 6,116,212  | 5,823,153 | 5,619,845 | 5,501,203 | 5,243,878 | 5,186,142 | 5,009,208 | 4,719,682 | 4,453,507 |           | DES. 375,963 |

## Comment utiliser les illustrations du manuel

- 1 - 9 Fait référence aux figures des pages intérieures de couverture.
- ① - ⑱ Fait référence aux pièces du moteur de la figure 1.
- ❶ - ❸ Fait référence aux pièces / actions des figures.

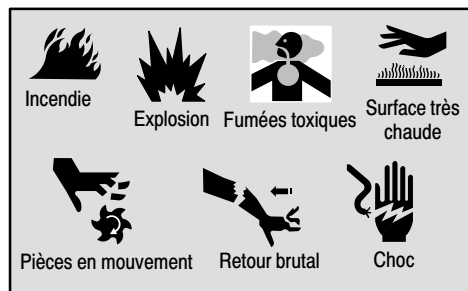
Inscrire ici le Modèle, le Type et le Code de votre moteur pour référence ultérieure.

Inscrire la date d'achat pour référence ultérieure.

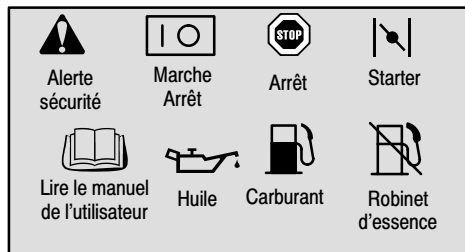
## Pièces du moteur (voir Fig. 1)

- ① Poignée de lanceur
- ② Commande d'accélération
- ③ **Modèle Type Code du moteur**  
xxxxxx xxxx xx xxxxxxxx
- ④ Filtre à air
- ⑤ Commande de starter
- ⑥ Remplissage de carburant
- ⑦ Contacteur d'arrêt / Oil Gard®, si prévu
- ⑧ Carter de lanceur
- ⑨ Fil de bougie
- ⑩ Remplissage / jauge d'huile
- ⑪ Silencieux
- ⑫ Pare-étincelles, si prévu
- ⑬ Bouchon de vidange
- ⑭ Bouchon de remplissage à huile
- ⑮ Démarreur électrique 12 V, si prévu
- ⑯ Robinet d'alimentation du carburant, si prévu.

## Symboles de danger et leur signification



## Symboles internationaux et leur signification



## Consignes de sécurité



### AVANT DE FAIRE DEMARRER LE MOTEUR

- Lire entièrement les instructions d'utilisation et de Maintenance ET les instructions de l'équipement entraîné par ce moteur.\*
- Un manque de respect de ces instructions peut entraîner des blessures graves ou même mortelles.

### LES INSTRUCTIONS D'UTILISATION ET DE MAINTENANCE CONTIENNENT DES INFORMATIONS DE SECURITE POUR

- Que vous preniez bien connaissance des risques liés à l'utilisation de moteurs
- Vous informer sur les blessures pouvant être causées par ces risques, et
- Vous dire comment éviter ou réduire au maximum les risques de blessures.

\* Briggs & Stratton n'est pas nécessairement au courant de l'application pour laquelle ce moteur est utilisé. Dès lors, nous vous recommandons de lire attentivement le mode d'emploi de l'équipement entraîné par ce moteur.

Le symbole d'alerte sécurité est utilisé pour marquer les informations de sécurité sur les risques pouvant entraîner des blessures sur les personnes.

Un mot indicatif (DANGER, AVERTISSEMENT, ou ATTENTION) est utilisé avec le symbole d'alerte pour signaler la possibilité et la gravité potentielle d'une blessure. De plus, un symbole de danger peut être utilisé pour indiquer le type de risque encouru.

**DANGER** indique un risque qui, s'il n'est pas éliminé, entraînera la mort ou des blessures très graves.

**AVERTISSEMENT** indique un risque qui, s'il n'est pas éliminé, pourrait entraîner la mort ou des blessures très graves.

**ATTENTION** indique un risque qui, s'il n'est pas éliminé, pourrait entraîner des blessures mineures ou légères.

**ATTENTION**, lorsqu'il est utilisé sans le symbole d'alerte, indique une situation qui pourrait causer un dommage au moteur.

## AVERTISSEMENT



L'essence et les vapeurs d'essence sont extrêmement inflammables et explosives.

Un incendie ou une explosion peut entraîner des blessures très graves ou même la mort.

### POUR FAIRE LE PLEIN

- Couper le moteur et le laisser refroidir au moins 2 minutes avant d'ouvrir le bouchon du réservoir.
- Remplir le réservoir de carburant à l'extérieur ou dans un local extrêmement bien ventilé.
- Ne pas trop remplir le réservoir. Laisser environ 4 cm d'espace sous le haut du col pour permettre la dilatation du carburant.
- Tenir l'essence à l'écart des étincelles, des flammes directes, des veilleuses, de la chaleur et des autres sources d'étincelles.
- Contrôler que les Durits, le réservoir, le bouchon et les raccords de carburant ne présentent ni fissures ni fuites. Remplacer si nécessaire.

### POUR DEMARRER LE MOTEUR

- S'assurer que la bougie, le silencieux, le bouchon du réservoir et le filtre à air sont bien en place.
- Ne pas lancer le moteur quand la bougie est retirée.
- Si du carburant a été renversé, attendre son évaporation complète avant de démarrer le moteur.
- Si le moteur est noyé, placer le starter sur OPEN / RUN, amener l'accélérateur sur FAST et lancer le moteur jusqu'à ce qu'il démarre.

### LORS DE L'UTILISATION DE L'EQUIPEMENT

- Ne pas faire basculer le moteur ou l'équipement au-delà d'un angle qui provoquerait le renversement de l'essence.
- Ne pas obstruer le carburateur pour arrêter le moteur.

### POUR TRANSPORTER L'EQUIPEMENT

- Transporter avec le réservoir de carburant VIDE ou avec le robinet de coupure du carburant en position FERMEE.

### POUR STOCKER DE L'ESSENCE OU L'EQUIPEMENT AVEC UN RESERVOIR PLEIN

- Les ranger loin des chaudières, cuisinières, chauffe-eau, ou tout autre appareil comportant une veilleuse ou une source susceptible de produire une étincelle, car ils pourraient enflammer les vapeurs d'essence.

 **AVERTISSEMENT**



Le démarrage du moteur produit des étincelles.  
Les étincelles peuvent enflammer les gaz inflammables à proximité.

Ceci pourrait provoquer une explosion ou un incendie.

- S'il y a une fuite de gaz naturel ou de GPL à proximité, ne pas démarrer le moteur.
- Ne pas utiliser de liquides de démarrage sous pression car leurs vapeurs sont inflammables.

 **AVERTISSEMENT**



Les moteurs produisent du monoxyde de carbone, qui est un gaz toxique inodore et invisible.

L'inhalation de monoxyde de carbone peut provoquer des nausées, un évanouissement et entraîner la mort.

- Démarrer le moteur et le faire fonctionner à l'extérieur.
- Ne pas démarrer ou faire fonctionner le moteur dans un local fermé, même si les portes et les fenêtres sont ouvertes.

 **AVERTISSEMENT**



Une étincelle accidentelle peut provoquer un incendie ou un choc électrique.

Un démarrage accidentel peut causer un étranglement, l'amputation ou la lacération d'un membre.

**AVANT D'EFFECTUER DES REGLAGES OU DES REPARATIONS**

- Débrancher le fil de la bougie et le tenir à l'écart de celle-ci.
- Débrancher le câble Négatif de la batterie (seulement pour les moteurs à démarrage électrique).

**CONTRÔLE DE L'ÉTINCELLE**

- Utiliser un testeur de bougie homologué.
- Ne pas contrôler l'étincelle en retirant la bougie.

 **AVERTISSEMENT**



Un moteur en marche produit de la chaleur. Les pièces du moteur, et plus particulièrement le silencieux, deviennent extrêmement chaudes.

Les toucher peut provoquer des brûlures sévères.

Les débris combustibles comme les feuilles, l'herbe, les broussailles peuvent s'enflammer.

- Laisser le silencieux, le cylindre du moteur et les ailettes refroidir avant de les toucher.
- Retirer les débris combustibles accumulés autour du silencieux et du cylindre.
- Monter un pare-étincelles en parfait état de marche avant d'utiliser l'équipement sur un terrain en friche recouvert de bois mort, d'herbe ou de broussailles. Ceci est obligatoire dans l'Etat de Californie (Chapitre 4442 du California Public Resources Code). D'autres états peuvent avoir des lois similaires. Les lois fédérales s'appliquent sur le territoire fédéral.

 **AVERTISSEMENT**



Les pièces en rotation peuvent toucher ou saisir les mains, les pieds, les cheveux, les vêtements ou les accessoires.

Le résultat peut en être une amputation ou une lacération grave.

- Faire fonctionner l'équipement avec les écrans de protection en place.
- Tenir les mains et les pieds éloignés des pièces en rotation.
- Attacher les cheveux longs et retirer les bijoux.
- Ne pas porter de vêtements amples, de ceintures larges pendantes ou tout vêtement pouvant être saisi.

 **AVERTISSEMENT**



La rétraction rapide de la corde de lanceur (retour brutal) tirera votre main et votre bras vers le moteur beaucoup plus vite que vous ne pourriez les laisser partir.

Ceci pourrait entraîner des fêlures, des fractures, des ecchymoses ou des foulures.

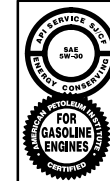
- Lors du démarrage du moteur, tirer lentement sur la corde jusqu'à sentir une résistance, puis tirer rapidement.
- Retirer tout équipement extérieur ou charge avant de démarrer le moteur.
- Les composants directement couplés à l'équipement, tels que les lames, turbines, poulies, engrenages, etc. sans que cette liste soit limitative, devront être fermement arrimés.

**Huiles recommandées** (voir Fig. [2])

Le moteur est expédié par Briggs & Stratton sans huile. Avant de lancer le moteur, faire le plein d'huile. Eviter de trop remplir.

Utiliser une huile détergente de haute qualité, classée "SF, SG, SH, SJ", ou supérieure, telle que l'huile "homologuée" Briggs & Stratton 30W, Réf.:100005E ou 100006E. Ne pas employer d'additifs spéciaux avec les huiles recommandées. Ne pas mélanger d'huile à l'essence.

Choisir dans le tableau une huile de viscosité appropriée correspondant à la température prévue avant la prochaine vidange.



**Note:** L'huile de synthèse répondant aux spécifications des normes ILSAC GF-2, comportant la marque de certification API et le symbole d'entretien API (montré à gauche) avec "SJ/CF ENERGY CONSERVING" ou supérieure, est une huile acceptable à toutes les températures. **L'utilisation d'une huile de synthèse ne modifie en rien les périodes de changement d'huile nécessaires.**

- \* Les moteurs refroidis par air chauffent plus que les moteurs automobiles. L'utilisation d'une huile non de synthèse multi-viscosité (5W-30, 10W-30, etc.) à des températures supérieures à 4°C entraînera une consommation d'huile supérieure à la normale. Si vous utilisez une huile multi-viscosité, vérifiez le niveau d'huile plus souvent.
- \*\* L'emploi d'huile SAE 30 au-dessous de 4°C rend le démarrage difficile et risque d'endommager le bloc-moteur suite à la mauvaise lubrification.

**Vérifier le niveau d'huile.** La capacité d'huile est d'environ: 1,3 l pour les Modèles 190000. 1,4 l pour les Mod 250000. Placer le moteur de niveau et nettoyer autour du remplissage d'huile ❶.

Retirer la jauge à huile ❷ et l'essuyer avec un linge propre, l'introduire et la serrer de nouveau. Retirer la jauge à huile et contrôler le niveau d'huile. Le niveau d'huile doit atteindre la marque FULL. S'il faut compléter, verser lentement. Eviter de trop remplir OU Retirer le bouchon de remplissage à huile ❸. Remplir d'huile jusqu'au débordement ❹.

Serrer fermement la jauge ou le bouchon de remplissage à huile avant de lancer le moteur.

**Carburants recommandés**

Utiliser de l'essence récente, propre, sans plomb ayant un indice d'octane de 77 au moins. L'essence au plomb convient également si l'essence sans plomb n'est pas disponible. Acheter l'essence par quantités pouvant être utilisées dans les 30 jours. Voir **stockage**.

Ne pas employer d'essence contenant du méthanol. Ne pas mélanger d'huile à l'essence.

Pour la protection du moteur, nous recommandons d'employer le stabilisateur de carburant Briggs & Stratton disponible auprès d'une Station Service Agréée Briggs & Stratton.

**Contrôle du niveau d'essence**



Avant de faire le plein de carburant, laisser refroidir le moteur pendant 2 minutes.

Nettoyer le pourtour de l'orifice du réservoir avant d'ouvrir le bouchon pour remettre du carburant. Laisser environ 4 cm d'espace sous le haut du col pour permettre la dilatation du carburant. Veiller à ne pas trop remplir.

## Démarrage (voir les Fig. [3] [4])



TOUJOURS ELOIGNER LES MAINS OU LES PIEDS DES PIÈCES ROTATIVES ET EN MOUVEMENT.

Ne pas employer de liquide de démarrage sous pression. Les vapeurs de celui-ci sont inflammables.

Lancer, remiser et faire le plein de l'équipement en position horizontale.

Vérifier le niveau d'huile.

Ouvrir le robinet d'alimentation, si prévu.

**ATTENTION: Le dispositif OIL GARD®** (si prévu), (voir fig. [1]) a pour but d'empêcher le démarrage d'un moteur qui manque d'huile. Le dispositif OIL GARD® ne peut pas couper un moteur en marche. Le moteur peut être endommagé si le niveau d'huile n'est pas maintenu correctement et dans ce cas toute couverture par la garantie sera annulée. Il faut toujours vérifier le niveau d'huile avant de démarrer le moteur.

Si le moteur est équipé d'un dispositif OIL GARD®, et que le niveau d'huile descend trop bas, un témoin lumineux sur le moteur prévient du bas niveau d'huile. Si le témoin clignote et que le moteur ne peut pas être démarré ou s'il s'est arrêté et ne peut pas être redémarré, ajouter de l'huile. Remplir jusqu'au point de débordement sur le bouchon du réservoir ou jusqu'au repère FULL sur la jauge. Ne pas dépasser ces limites.

**Avant de démarrer (voir Fig. [3])**

1. Amener la commande de starter ① à la position CHOKE.
2. Amener la commande d'accélération ② sur la position FAST, si prévue.
3. Ouvrir le robinet d'alimentation ③, si prévu.
4. Amener la commande d'arrêt ④ à la position ON, si prévu.

Note: Si le moteur est équipé du dispositif Oil Gard®, le clignotement de la lampe témoin du contact d'arrêt ④ prévient du niveau d'huile bas ou le moteur s'arrête et ne peut être redémarré. Ajouter de l'huile. Remplir jusqu'à la marque FULL de la jauge à huile (ne pas trop remplir) ou jusqu'au débordement au bouchon de remplissage à huile.

**Lanceur à rappel automatique (voir Fig. [4])**



Saisir la poignée de lanceur et tirer lentement jusqu'à percevoir une résistance. Tirer alors vivement sur la corde pour vaincre la compression éviter

les retours et démarrer le moteur. Si nécessaire, répéter avec le starter sur la position RUN et la commande sur FAST. Quand le moteur démarre, le faire marcher en position FAST.

**Démarrateur électrique (voir Fig. [4])**

Sur les moteurs équipés d'un démarreur 12 volts, tourner la clé en position START ① ou enfoncer le bouton du démarreur ②. Répéter si nécessaire avec le starter à la position RUN et la commande d'accélération en position FAST. Quand le moteur est démarré, l'utiliser en position FAST.

Note: Si le fabricant de l'équipement a fourni la batterie, la charger avant d'essayer de lancer le moteur, en suivant les recommandations du fabricant de l'équipement.

Note: Pour prolonger la vie du démarreur, procéder par cycles de démarrage courts (15 s par min.). Les démarrages prolongés peuvent endommager le démarreur.

## Arrêt (voir Fig. [5])

Ne pas amener la commande de starter en position CHOKE pour arrêter le moteur. Cela peut provoquer de l'auto-allumage ou des dégâts au moteur. Amener la commande d'accélération à la position IDLE ou SLOW, ①, si prévue. Tourner alors la clé sur OFF ou amener la commande d'arrêt à la position OFF ②. Fermer le robinet d'alimentation d'essence ③.

Note: Toujours retirer la clé du contacteur quand l'équipement est inutilisé ou abandonné.

Note: Pour le transport du moteur, fermer le robinet d'alimentation d'essence pour prévenir les fuites.

## Réglages (voir Fig. [6])



Pour prévenir un démarrage accidentel, retirer le fil de bougie ① et le mettre à la masse

avant de procéder aux réglages, et débrancher la cosse négative de la batterie, si prévue.

### Réglages de la commande d'accélération

(voir Fig. [6])

#### Commande manuelle à friction

Desserrer ou serrer l'écrou papillon ② sur la plaque de commande ③ pour que la commande d'accélération puisse être déplacée avec une certaine résistance et reste à la position voulue quand le moteur tourne.

#### Commande à distance

Desserrer la vis de fixation de la gaine ④. Déplacer la gaine et le câble ⑤ dans le sens de la flèche, en bout de course. Déplacer la commande d'accélération à la position FAST. Serrer la vis de fixation de la gaine.

#### Commande de régulateur fixe

La vis de réglage du régime maximum ⑥ a été pré-réglée en usine selon les indications du fabricant de l'équipement. NE PAS LA REGLER. Si un réglage s'impose, consulter une Station Service Agréée Briggs & Stratton.

### Réglage du carburateur



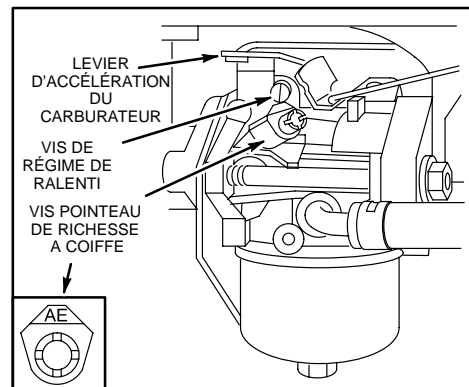
Le fabricant de l'équipement sur lequel est monté ce moteur a spécifié le régime maximum à vide d'utilisation du moteur. NE PAS DEPASSER ce régime maximum.

S'adresser à une Station Service Agréée Briggs & Stratton si un réglage du carburateur s'impose.

Lancer le moteur et le faire chauffer pendant 5 minutes environ avant réglage. Moteur tournant, amener la commande d'accélération à la position SLOW. Faire tourner le levier d'accélération du carburateur contre la vis de régime de ralenti et le maintenir. Tourner la vis de régime de ralenti pour obtenir 1750 tr / mn.

Tourner la vis de richesse de ralenti à fond dans le sens horaire et puis anti-horaire. Amener ensuite la vis de richesse de ralenti à mi-course. Vérifier le régime de ralenti, le régler à 1750 tr / mn, si nécessaire.

Amener la commande d'accélération à la position FAST. Le moteur doit accélérer franchement. Si ce n'est pas le cas, tourner la vis de richesse de ralenti de 1/8 tour en sens anti-horaire.



## Entretien (voir les Fig. [7] [8] [9])

Voir le **Programme d'entretien**. Respecter les intervalles horaires ou calendaires, selon le cas. Un entretien plus fréquent est nécessaire lors d'une utilisation dans des conditions difficiles.



Pour prévenir un démarrage accidentel, retirer le fil de bougie ① et le

mettre à la masse avant de démarrer l'entretien et débrancher la cosse négative de la batterie (si elle est prévue).

### Graissage (voir Fig. [7])

Contrôler régulièrement le niveau d'huile.

Veiller à compléter le niveau d'huile. Contrôler toutes les 5 heures ou chaque jour, avant de démarrer le moteur. Voir la procédure de remplissage au chapitre **Huiles recommandées**.

### Changement de l'huile

Changer l'huile après les 5 premières heures de fonctionnement. Faire la vidange lorsque le moteur est chaud. Faire le plein avec de l'huile neuve de viscosité appropriée

(voir Fig. [2]).

### Réducteur, si prévu

Retirer le bouchon de remplissage ② et le bouchon de niveau d'huile ③. Vidanger l'huile toutes les 100 heures ou chaque saison, selon le cas. Pour remplir, verser de l'huile SAE 30 par le trou de remplissage d'huile jusqu'à ce qu'elle s'écoule par le trou de contrôle du niveau d'huile. Remonter les deux bouchons. Le bouchon de remplissage d'huile comporte un évent ④, il doit être monté en haut du carter du boîtier réducteur.

### Entretien du filtre à air (voir Fig. [8])

Remplacer le pré-filtre ②, et / ou la cartouche ③ si elle est très sale ou endommagée.

1. Desserrer les vis. Puis déposer le couvercle et l'ensemble du filtre à air de l'embase.
2. Sortir l'ensemble du filtre à air du couvercle et le démonter.

Pour entretenir le pré-filtre, le laver au détergent liquide et à l'eau. Le presser dans un linge propre pour le sécher. Le saturer d'huile moteur. Le presser dans un linge propre absorbant pour éliminer TOUT EXCES d'huile.

Pour entretenir la cartouche, la frapper doucement sur une surface plane. Ne pas employer de solvants à base de pétrole, comme le pétrole, ni de l'air comprimé pour nettoyer la cartouche car ils risquent de l'endommager. Ne pas huiler la cartouche.

3. Remonter le support ④, le pré-filtre (côté treillis du pré-filtre vers les lèvres de la cartouche) et la cartouche dans le couvercle.
4. Introduire les taquets ⑤ du couvercle dans les fentes ⑥ de l'embase. Serrer fermement les vis du couvercle.

## Entretien de la bougie (voir Fig. 8)



NE PAS contrôler l'étincelle avec la bougie retirée. Utiliser seulement le testeur Briggs & Stratton ②, pour contrôler l'étincelle.

NE PAS lancer le moteur quand la bougie est retirée. Si le moteur est noyé, amener l'accélérateur sur FAST et lancer le moteur jusqu'à ce qu'il démarre.

L'écartement des électrodes de bougie ⑦ doit être de 0,76 mm.

Nettoyer / remplacer la bougie toutes les 100 heures ou chaque saison, selon le cas. Un testeur et une clé à bougie sont disponibles dans les Stations Service Agréées Briggs & Stratton.

Note: Sur les Modèles 19A400, 19B400, 19C400, 19E400, 19F400, 19G400, utiliser exclusivement des bougies Réf.: 496018E. Sur les Modèles 176400, 192400, 196400, 197400, 226400, 250400, 256400, 257400, utiliser des bougies normales Réf.: 992040 ou des bougies à résistance, Réf.: 992041, selon le cas.

Note: Dans certains pays, la législation impose l'emploi de bougies à résistance pour supprimer les parasites de l'allumage. Si ce moteur était équipé d'une bougie avec résistance, utiliser le même type de bougie lors de son remplacement.

## Veiller à la propreté du moteur (voir Fig. 9)

Éliminer périodiquement l'accumulation d'herbe et de paille du moteur. Ne pas asperger le moteur d'eau pour le nettoyer pour éviter de contaminer le carburant. Le nettoyer avec une brosse ou à l'air comprimé.



L'accumulation de débris autour du silencieux ② peut provoquer un incendie. Vérifier et nettoyer avant chaque utilisation.

Si le silencieux est équipé d'un pare-étincelles ③, déposer ce dernier pour nettoyage et inspection toutes les 50 heures ou chaque saison. Le remplacer s'il est endommagé.

Pour assurer un fonctionnement régulier, débarrasser ④ des saletés la tringlerie, les ressorts et les commandes.



Remplacer le filtre à carburant sur Durit ⑤. Vidanger le réservoir de carburant ou fermer le robinet d'alimentation avant de remplacer le filtre à carburant.

Nettoyer le système de refroidissement. L'herbe, la paille ou la saleté peuvent obstruer le système de refroidissement du moteur, surtout après une utilisation prolongée. Les ailettes et les surfaces de refroidissement internes peuvent réclamer un nettoyage pour prévenir une surchauffe ou des dégâts au moteur. Déposer le carter de lanceur et le nettoyer comme indiqué ⑥.

## Programme d'entretien

Respecter les intervalles horaires ou calendaires, selon le cas. Un entretien plus fréquent est nécessaire lors d'une utilisation dans des conditions difficiles indiquées ci-dessous.

### Après les 5 premières heures

- Changer l'huile

### Toutes les 5 heures ou tous les jours

- Contrôler le niveau d'huile
- Nettoyer autour du silencieux, des ressorts et des tringles

### Toutes les 25 heures ou chaque saison

- Changer l'huile lors d'une utilisation à température ambiante et à charge élevées
- Entretien du pré-filtre du filtre à air\*

### Toutes les 50 heures ou chaque saison

- Changer l'huile
- Nettoyer et vérifier le pare-étincelles, si prévu

### Toutes les 100 heures ou chaque saison

- Faire l'entretien de la cartouche du filtre à air\*
- Remplacer le filtre à carburant sur Durit, si prévu.
- Remplacer / nettoyer la bougie
- Changer l'huile du réducteur, si prévu.
- Nettoyer le système de refroidissement\*
- \* Nettoyer plus souvent dans des conditions poussiéreuses, ou en présence de débris aériens ou d'herbes sèches.

### Extrait de la liste des pièces d'origine Briggs & Stratton

| Pièces Briggs & Stratton  | Réf.              |
|---|-------------------|
| Huile (0,6 L.)  | 100005E           |
| Huile (1,4 L.)  | 100006E           |
| Kit de pompe à huile (utilise une perceuse électrique standard)                         | 005056B           |
| Pour retirer rapidement l'huile du moteur)  |                   |
| Stabilisateur de carburant (Berlingot 30 ml)  | 992030            |
| Stabilisateur de carburant (Flacon 125 ml)  | 999005F           |
| Filtre à carburant (sans pompe)   | 298090S (005018B) |
| Filtre à carburant (avec pompe)   | 394358S ou 691035 |
| Pré-filtre du filtre à air  | 691643            |
| Filtre à carburant (avec pompe)   | 394358 ou 493629  |
| Cartouche de filtre à air   | 492889            |
| Pré-filtre du filtre à air  | 691643            |
| Bougie à résistance (Modèles 19E400, 19F400, 19G400)                                    | 496018E           |
| Bougie en platine longue durée (Modèles 19E400, 19F400, 19G400)                         | 005066B           |
| Bougie à résistance (Modèles 192400, 196400, 197400, 250400, 256400, 257400)            | 992041            |
| Bougie standard (Modèles 192400, 196400, 197400, 250400, 256400, 257400)                | 992040            |
| Bougie en platine longue durée (Modèles 192400, 196400, 197400, 250400, 256400, 257400) | 992041 (005062B)  |
| Contrôleur d'étincelle  | 19368             |
| Clé à bougie  | 89838S (005023B)  |
| Pare-étincelles   | 399541 ou 392390  |

## Stockage

Les moteurs stockés pendant plus de 30 jours doivent recevoir une protection ou leur essence doit être vidangée pour prévenir les dépôts de gomme dans le système d'alimentation ou sur des pièces vitales du carburateur.

Pour la protection du moteur, nous recommandons l'emploi du stabilisateur de carburant Briggs & Stratton disponible dans toute Station Service Agréée Briggs &

Stratton. Ajouter le stabilisateur au réservoir de carburant ou dans un réservoir de stockage. Faire tourner quelques instants le moteur pour faire circuler le stabilisateur dans le carburateur. Le moteur et le carburant peuvent alors être remisés pendant 24 mois au maximum.

Note: Si vous n'employez pas le stabilisateur ou si vous utilisez de l'essence à l'alcool, vidanger toute l'essence du réservoir et faire tourner le moteur jusqu'à ce qu'il s'arrête, faute de carburant.

1. Changer l'huile. Voir **Graissage**.

(Voir Fig. 2 [7]).

2. Retirer la bougie et verser environ 30 ml d'huile moteur dans le cylindre. Remonter la bougie et faire tourner lentement le moteur pour répartir l'huile.
3. Éliminer la paille et les débris du cylindre et des ailettes de la culasse, sous le protège-doigts et derrière le silencieux.
4. Stocker l'équipement dans un endroit propre et sec, mais PAS à proximité d'un poêle, d'une chaudière ou d'un chauffe-eau qui utilise une veilleuse ou tout dispositif pouvant produire des étincelles.

## Service Après-Vente

S'adresser à une station service agréée Briggs & Stratton. Elles disposent toutes d'un stock de pièces de rechange d'origine Briggs & Stratton et sont équipées de l'outillage spécial. Les mécaniciens expérimentés assurent un entretien et une réparation de qualité pour tous les moteurs Briggs & Stratton. Seules les "Stations Service Agréées Briggs & Stratton" sont tenues de respecter les normes Briggs & Stratton.

Lorsque vous achetez un équipement entraîné par un moteur Briggs & Stratton, vous êtes assurés de trouver un service fiable et hautement qualifié dans plus de 30 000 Stations Service Agréées partout dans le monde, avec plus de 5 000 Maîtres Techniciens de Service. Recherchez les panneaux où l'on vous propose le service Après-Vente Briggs & Stratton.



Pour trouver la Station Service Agréée Briggs & Stratton la plus proche, voir notre carte des revendeurs sur notre site Internet [www.briggsandstratton.com](http://www.briggsandstratton.com)

ou regarder dans les "Pages jaunes™" sous la rubrique "Moteurs à essence", "Tondeuses à gazon" ou apparentée.

Note: Le logo des "doigts qui marchent" et les "Pages jaunes™" sont des marques déposées dans plusieurs pays.

Le manuel d'atelier présenté ici comprend les "Théories de fonctionnement", les spécifications communes et des informations détaillées sur le réglage, la mise au point et la réparation des moteurs Briggs & Stratton à soupapes latérales, monocylindres, à quatre temps. Le commander sous la Réf. 271890 auprès des Stations Services Agréées Briggs & Stratton.

Exiger des pièces de rechange d'origine Briggs & Stratton portant notre logo sur la pièce ou l'emballage. Les pièces de substitution ne fonctionnent pas toujours aussi bien et risquent d'annuler votre garantie.

**La Corporation Briggs & Stratton (B&S), le California Air Resources Board (CARB) et le Bureau de protection environnementale des États-Unis (US EPA)**

**Garantie sur le système d'échappement (Garantie contre les défauts, droits et obligations du propriétaire)**

LA GARANTIE SUR LE SYSTÈME D'ÉCHAPPEMENT EST APPLICABLE SUR LES MOTEURS CERTIFIÉS ACHETÉS EN CALIFORNIE EN 1995 ET LES ANNÉES SUIVANTES ET QUI SONT UTI-

LISÉS EN CALIFORNIE, AINSI QU'ÀUX MODÈLES CERTIFIÉS DE 1997 ET LES ANNÉES SUIVANTES QUI ONT ÉTÉ ACHETÉS ET UTILISÉS AILLEURS AUX ÉTATS-UNIS ET AU CANADA.

**Déclaration de garantie sur le système d'échappement pour la Californie, les États-Unis et le Canada**

Le California Air Resources Board (CARB), le Bureau américain de protection environnementale (U.S. EPA) et B&S sont heureux d'expliquer la garantie sur le système d'échappement des petits moteurs hors-route de votre modèle 2000 et des années ultérieures (SORE). En Californie, les nouveaux petits moteurs hors route doivent être conçus, construits et équipés pour rencontrer les standards rigoureux d'antipollution. Ailleurs aux États-Unis, les nouveaux moteurs hors route à bougie d'allumage certifiés pour les modèles de 1997 et plus, doivent rencontrer des normes similaires mises de l'avant par le U.S. EPA. Briggs & Stratton garantit le système de contrôle d'échap-

pement de votre moteur pour la période de temps mentionnée ci-contre, sauf s'il a fait l'objet d'abus, de négligence ou d'un entretien inapproprié.

Votre système de contrôle d'échappement comprend des pièces telles que le carburateur, le filtre à air, le système d'ignition, le silencieux et le convertisseur catalytique. Il peut aussi comprendre les connecteurs et autres pièces reliées à l'émission.

Lorsqu'il y a condition à garantie, B&S réparera gratuitement votre petit moteur hors-route incluant le diagnostic, les pièces et la main d'œuvre.

**Couverture de garantie Briggs & Stratton contre toute défectuosité du système de contrôle d'échappement**

Les petits moteurs hors route sont garantis contre la défectuosité des pièces du système de contrôle d'échappement pour une période de 2 ans, sujette aux conditions stipulées ci-contre. Si n'importe-

te quelle pièce de votre moteur couverte par cette garantie est défectueuse, elle sera réparée ou remplacée par B&S.

**Responsabilités du propriétaire**

En tant que propriétaire d'un petit moteur hors route, vous êtes responsable de veiller à l'exécution de l'entretien requis tel que stipulé dans votre manuel d'opération et d'entretien. B&S vous recommande de conserver tous les reçus couvrant les travaux d'entretien de votre petit moteur hors route, mais B&S ne peut refuser la garantie en raison d'absence de reçus ou pour défaut d'avoir suivi tout l'échéancier du programme d'entretien.

Vous avez la responsabilité d'apporter votre petit moteur hors route à un détaillant autorisé B&S aussitôt que survient un problème. Les réparations sous garantie doivent être complétées dans un délai raisonnable ne devant pas excéder 30 jours.

Si vous avez des questions relativement à votre garantie, vos droits et responsabilités, veuillez communiquer avec un représentant de service B&S au numéro 1-414-259-5262.

En tant que propriétaire d'un petit moteur hors route, vous devez être informé que B&S peut refuser d'honorer cette garantie si la défectuosité de votre moteur ou d'une partie de votre moteur est due à un emploi abusif, une négligence, un entretien incorrect ou une modification non approuvée.

La garantie du système d'échappement est une garantie contre les défauts. Les défauts sont jugés en fonction d'une utilisation normale du moteur. La garantie n'est pas reliée à un test d'échappement effectué à l'intérieur.

**Dispositions de la garantie du système d'échappement Briggs & Stratton**

Ce qui suit concerne les dispositions spécifiques relativement à votre garantie sur le système de contrôle d'échappement. C'est une addition à la garantie B&S pour les moteurs non réglementés contenue dans le manuel d'entretien et d'utilisation.

**1. Pièces sous garantie**

La couverture de cette garantie ne s'applique que sur les pièces listées ci-contre (les parties du système de contrôle d'échappement) dans la mesure où ces pièces étaient présentes sur le moteur au moment de l'achat.

- a. Système de dosage du carburant
  - Système d'enrichissement de démarrage à froid
  - Carburateur et parties internes
  - Pompe à essence
- b. Système d'induction d'air
  - Filtre à air
  - Tubulure d'admission
- c. Système d'ignition
  - Bougies d'allumage
  - Système d'allumage électromagnétique
- d. Système catalyseur
  - Convertisseur catalytique
  - Collecteur d'échappement
  - Système d'injection d'air ou à pulsion
- e. Autres pièces utilisées dans les systèmes ci-haut mentionnés
  - Soupapes et interrupteurs de dépression, de température, de position.
  - Connecteurs et assemblages.

**2. Durée de la couverture**

B&S garantit le propriétaire initial et tous les acheteurs subséquents que les pièces sous garantie sont exemptes de vice de matière ou de fabrication qui pourraient causer des défauts des pièces sous garantie pour une période de deux ans à partir de la date à laquelle le moteur a été livré à l'acheteur.

**3. Aucuns Frais**

La réparation ou le remplacement de toute pièce sous garantie sera effectuée sans aucuns frais pour le propriétaire, incluant les frais de main d'œuvre pour le diagnostic afin de déterminer si la pièce sous garantie est défectueuse, conditionnel à ce que le diagnostic soit effectué chez un détaillant autorisé B&S. Pour la garantie relative au système d'échappement, communiquez avec le détaillant autorisé B&S le plus proche tel que listé dans les pages jaunes de votre localité sous la rubrique moteur à essence, tondeuse ou autre catégorie similaire.

**4. Réclamations et exclusions de la couverture.**

Les réclamations de garantie doivent être complétées en accord avec les dispositions de la politique de garantie B&S. La garantie ne couvre pas les défauts de pièces qui ne sont pas des pièces d'origine B&S ou dans le cas d'abus, négligence ou d'un entretien inapproprié. La garantie B&S ne couvre pas les défauts de pièces sous garantie qui ont fait l'objet d'ajouts, ont été modifiées ou de pièces qui ne sont pas des pièces B&S d'origine.

**5. Entretien**

Toute pièce sous garantie qui n'est pas remplacée au moment requis selon le manuel d'entretien ou qui est planifiée seulement pour une inspection régulière sous la mention « réparer ou remplacer si nécessaire » est garantie contre toute défectuosité pour la période de garantie. Toute pièce sous garantie qui est planifiée pour un remplacement tel que requis dans l'entretien est garantie contre toute défectuosité seulement pour la période de temps qui va jusqu'au premier remplacement prévu pour cette pièce. Toute pièce de remplacement équivalente en performance et durabilité peut être utilisée pour l'entretien ou la réparation. Le propriétaire est responsable de l'exécution de tout entretien requis tel que défini dans le manuel d'instruction B&S sur l'entretien et la réparation.

**6. Couverture indirecte**

La couverture ci-contre s'étend à toute défectuosité des composantes du moteur causée par la défectuosité de n'importe quelle pièce couverte par la garantie et dont la garantie est encore en vigueur.

**Consultez les informations sur la période de durabilité d'émission et l'INDICE d'air sur l'étiquette d'émission de votre moteur**

Les moteurs qui sont certifiés conformes aux normes standards d'émission du California Air Resources Board (CARB) Tier 2, doivent afficher l'information concernant la période de durabilité du système d'émission et l'INDICE d'air. Cette information est indiquée sur les étiquettes apposées sur les moteurs par Briggs & Stratton. L'étiquette du moteur indiquera les renseignements concernant la certification.

La **période de durabilité d'émission** indique le nombre d'heures d'utilisation normale pour lequel le moteur est certifié conforme aux normes d'émission sous réserve d'un entretien approprié tel qu'indiqué dans le manuel d'opération et d'entretien. Les catégories suivantes sont utilisées :

**Modéré** le moteur est certifié conforme pour 125 heures d'utilisation normale.

**Intermédiaire** le moteur est certifié conforme pour 250 heures d'utilisation normale.

**Prolongé** le moteur est certifié conforme pour 500 heures d'utilisation normale.

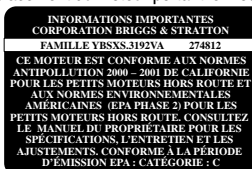
Par exemple, une tondeuse de modèle standard est utilisée environ 20 à 25 heures par année. Par conséquent, la **période de durabilité d'émission** d'un moteur dans la catégorie intermédiaire pour ce type de tondeuse équivaut à 10 à 12 ans.

L'**indice d'air** est un nombre qui décrit le niveau relatif d'émission pour une catégorie spécifique de moteur. Plus l'**indice d'air** est bas, plus le moteur est écologique. Cette information est indiquée sous une forme graphique sur l'étiquette d'émission.

**À compter du 1<sup>er</sup> juillet 2000, surveillez la période de conformité d'émission sur les étiquettes**

Après le 1<sup>er</sup> juillet 2000, certains moteurs B&S seront certifiés conformes aux normes environnementales d'émission standard du United States Environmental Protection Agency (US EPA) Phase 2. Pour les moteurs certifiés pour la Phase 2, la période de conformité d'émission mentionnée sur les étiquettes indique le nombre d'heures d'utilisation pour lequel le moteur rencontre les normes fédérales. Pour les moteurs de force moindre que 225 cc, la catégorie C = 125 heures, B = 250 heures et A = 500 heures. Pour les moteurs de 225 cc et plus, la catégorie C = 250 heures, B = 500 heures et A = 1000 heures. Le remplacement du moteur portant le modèle de série 190000 est 319 cc. Le remplacement du moteur portant le modèle de série 250000 est 399 cc.

Ceci est une représentation des étiquettes d'émission que vous retrouverez sur les moteurs certifiés :



# APPLICATION DE LA GARANTIE SUR LES MOTEURS BRIGGS & STRATTON

Date d'effet au 1er janvier 2003, annule et remplace toutes les garanties précédentes et les garanties antérieures au 1er janvier 2003

## GARANTIE LIMITÉE

Briggs & Stratton remplacera ou réparera gratuitement toute pièce ou pièces du moteur présentant un défaut de matière ou de construction ou les deux. Tous les frais de transport de pièces destinées à être remplacées ou réparées au titre de la présente garantie restent à charge de l'acheteur. Cette garantie est applicable pendant la période et aux conditions prévues dans le présent document. Pour toute intervention sous garantie, chercher le Réparateur Agréé Briggs & Stratton le plus proche dans la liste des Réparateurs sur notre site Internet [www.briggsandstratton.com](http://www.briggsandstratton.com) ou en appelant le 1-800-233-3723 ou figurant dans les Pages Jaunes™.

IL N'EXISTE AUCUNE AUTRE GARANTIE EXPRESSE. LES GARANTIES IMPLICITES, Y COMPRIS CELLES DE LA VALEUR MARCHANDE ET D'ADAPTATION A UN OBJETIF PARTICULIER, SONT LIMITEES A UN AN A PARTIR DE LA DATE D'ACHAT OU A LA PERIODE LEGALE ADMISE. TOUTE AUTRE GARANTIE IMPLICITE EST EXCLUE. NOTRE RESPONSABILITE POUR LES DEGATS PROVOQUES PAR L'EQUIPEMENT OU LES DOMMAGES - INTERETS ACCESSOIRES EST EXCLUE DANS LA LIMITE DES EXCLUSIONS AUTORISEES PAR LA LOI. Certains pays ou états n'autorisent pas la limitation de la durée de la garantie implicite et certains pays ou états n'autorisent pas l'exclusion ou la limitation des dégâts provoqués ou consécutifs à un accident, ce qui fait que les limitation et exclusion ci-dessus peuvent ne pas s'appliquer à vous. Cette garantie vous donne des droits légaux et vous pouvez bénéficier d'autres droits qui peuvent varier d'un pays à l'autre ou d'un état à l'autre.

## NOTRE PRODUIT

|                  |   |   |                 |              |
|------------------|---|---|-----------------|--------------|
| <b>VANGUARD™</b> | <b>ELS™</b><br><b>I/C®</b><br><b>Industrial Plus™</b><br><b>Intek™</b><br>(Sleeve Bore) | <b>Fource™</b><br><b>Intek™</b> (Kool Bore)<br><b>Power Built™ OHV</b><br><b>QUANTUM®</b><br><b>Quattro™</b><br><b>Q45™</b><br><b>Sprint™</b> | <b>Classic™</b> | <b>Etek™</b> |
|------------------|---|---|-----------------|--------------|

## PÉRIODE DE GARANTIE\*

|                  |       |       |          |          |      |
|------------------|-------|-------|----------|----------|------|
| Usage privé      | 2 ans | 2 ans | 2 ans    | 1 an     | 1 an |
| Usage commercial |       | 1 an  | 90 jours | 90 jours |      |

\* **Veillez noter les périodes de garantie spéciales suivantes :** 2 ans pour les moteurs Classic™ dans les pays de l'Union Européenne et les pays de l'Est, pour tous les produits à usage privé dans l'Union Européenne et pour les systèmes de contrôle des émissions sur les moteurs certifiés par EPA et CARB. 5 ans pour usage privé, 90 jours pour usage commercial du lanceur Touch-N-Mow® sur les moteurs Quantum® et Intek™. **Les moteurs utilisés en compétition ou avec un but d'exploitation commerciale ou de location ne sont pas garantis.**

La période de garantie débute à la date d'achat par l'acheteur particulier initial ou l'utilisateur professionnel final et continue pendant la période indiquée dans le tableau ci-dessus. « Usage privé » signifie utilisation pour l'entretien de sa résidence personnelle par un acheteur particulier. « Usage commercial » couvre toutes les autres utilisations, y compris dans un but commercial, de rentabilité ou de location. Dès qu'un moteur a servi à un usage commercial, il sera considéré comme moteur à usage commercial dans le cadre de la présente garantie.

**UNE CARTE D'ENREGISTREMENT DE LA GARANTIE N'EST PAS EXIGEE POUR BENEFICIER DE LA GARANTIE SUR LES PRODUITS BRIGGS & STRATTON. VOUS DEVEZ CONSERVER VOTRE FACTURE D'ACHAT. SI VOUS NE FOURNISSEZ PAS LA PREUVE DE L'ACHAT INITIAL AU MOMENT DE L'INTERVENTION SOUS GARANTIE, LA DATE DE FABRICATION DU PRODUIT SERA UTILISEE POUR DETERMINER LA PERIODE DE GARANTIE.**

## A PROPOS DE LA GARANTIE DE MOTEUR

Briggs & Stratton se fera un plaisir d'effectuer une réparation en garantie tout en déplorant les inconvénients qu'elle peut vous occasionner. Tout Réparateur Agréé peut effectuer des réparations en garantie. La plupart des réparations en garantie sont effectuées sans discussion mais il peut arriver que la demande de réparation en garantie soit injustifiée. Par exemple, la garantie ne s'applique pas quand la défaillance du moteur est due à un abus, un manque d'entretien courant, l'expédition, la manutention, l'entreposage ou une mauvaise installation. Il en va de même si le numéro de série du moteur a été éliminé ou que le moteur a été modifié ou trafiqué.

Si le client n'est pas d'accord avec la décision d'un Réparateur Agréé, une enquête sera effectuée afin de déterminer si la garantie peut être appliquée. Demander au Réparateur Agréé de soumettre tous les faits au Grossiste ou à l'usine pour examen. Si le Grossiste ou l'usine décide que la demande est justifiée, les articles reconnus défectueux seront intégralement remboursés au client. Afin d'éviter tout malentendu entre les propriétaires de moteurs et les Réparateurs Agréés Briggs & Stratton, nous indiquons ci-après quelques-unes des causes de défaillance des moteurs pour lesquelles le remplacement ou la réparation ne sont pas couverts par la garantie.

### Usure normale:

Les moteurs, comme tous les autres appareils mécaniques, ont besoin d'un entretien régulier des pièces et leur remplacement pour fonctionner correctement. La garantie ne couvre pas la réparation lorsque c'est l'usure normale qui a amené les pièces ou le moteur en fin de vie.

### Entretien inadéquat:

La longévité d'un moteur dépend des conditions dans lesquelles il est utilisé et de l'entretien qu'il reçoit. Certaines applications, comme les motoculteurs, les pompes et les tondeuses, sont souvent utilisées dans un environnement poussiéreux ou sale, ce qui peut être la cause d'une usure pouvant paraître prématurée. Une telle usure, lorsqu'elle est

consécutives à l'entrée de poussière, sable ou autre produit abrasif, à cause d'un mauvais entretien, n'est pas couverte par la garantie.

**Cette garantie couvre uniquement les pièces défectueuses et/ou la main d'oeuvre et pas le remplacement ou le remboursement de l'équipement sur lequel est monté le moteur. La garantie ne s'applique pas non plus aux réparations dues à:**

1. DES PROBLÈMES PROVOQUÉS PAR L'EMPLOI DE PIÈCES NON D'ORIGINE BRIGGS & STRATTON.
2. Les commandes de l'équipement ou les dispositifs qui empêchent le démarrage, perturbent le fonctionnement du moteur ou abrègent sa durée de vie. (Contacter le fabricant de l'équipement.)
3. Les fuites de carburateur, l'obstruction des Durits d'alimentation, le blocage des soupapes ou autres dommages provoqués par une essence contaminée ou trop vieille. (Utiliser de l'essence sans plomb récente et propre et du stabilisateur pour carburant Briggs & Stratton, Réf. : 999005 E.)
4. Les pièces qui seraient rayées ou cassées du fait du fonctionnement du moteur avec un manque d'huile ou d'une huile polluée, ou encore d'un indice de viscosité de l'huile inadéquat (vérifier le niveau d'huile quotidiennement ou après 8 heures d'utilisation. Refaire le niveau quand c'est nécessaire et vidanger aux périodes recommandées.) Le dispositif OIL GARD® peut ne pas couper un moteur en marche. Le moteur peut être endommagé si le niveau d'huile n'est pas maintenu régulièrement. Lire les Instructions d'utilisation et d'entretien.
5. La réparation ou le réglage de pièces ou d'un groupe de pièces associées tels que les embrayages, transmissions, commandes à distance, etc., qui ne sont pas fabriqués par Briggs & Stratton.
6. Les dommages ou l'usure de pièces provoqués par la pénétration de poussière due au manque d'entretien ou au mauvais montage du filtre à air ou à l'emploi d'un élément ou d'une cartouche de filtre

à air non d'origine. (Aux intervalles recommandés, nettoyer et huiler à nouveau le filtre élément mousse (Oil Foam®) ou le pré-filtre en mousse et remplacer la cartouche.) Lire les instructions d'utilisation et d'entretien.

7. Les pièces endommagées suite à un sur-régime ou une surchauffe provoqués par l'obstruction des ailettes de refroidissement et de la zone du volant par des débris d'herbe ou de la poussière ou par l'utilisation du moteur dans un local fermé insuffisamment ventilé. (Nettoyer aux intervalles recommandés les ailettes du cylindre, de la culasse et du volant.) Lire les instructions d'utilisation et d'entretien.
  8. Le bris de pièces du moteur ou de l'équipement dû à des vibrations excessives résultant d'un serrage insuffisant des boulons de fixation du moteur, d'une lame ou d'une turbine desserrée ou mal équilibrée, d'une mauvaise adaptation de l'équipement sur le vilebrequin du moteur, d'un sur-régime ou d'une mauvaise utilisation.
  9. Vilebrequin faussé ou cassé suite au choc de la lame d'une tondeuse rotative sur un corps dur, ou d'une courroie trapézoïdale trop tendue.
  10. Réglage ou mise au point normale du moteur.
  11. La défaillance du moteur ou des pièces du moteur, telles que la chambre de combustion, les soupapes, sièges de soupape, guides de soupape ou bobinage du démarreur grillés, suite à l'emploi de carburants de substitution tels que du pétrole liquéfié, du gaz naturel ou des essences modifiées, etc.
- La garantie peut être appliquée uniquement par les Stations Service Agréées Briggs & Stratton. Le Réparateur Agréé le plus proche figure dans les Pages Jaunes™ de votre annuaire téléphonique, sous la rubrique « moteurs à essence », « tondeuses à gazon » ou sous une rubrique apparentée.**

|  |           |           |           |           |           |           |           |           |           |              |
|--|-----------|-----------|-----------|-----------|-----------|-----------|-----------|-----------|-----------|--------------|
| Les moteurs Briggs & Stratton sont protégés par un ou plusieurs des brevets suivants: Conception D-247.177 (Demandes d'autres brevets introduites) |           |           |           |           |           |           |           |           |           |              |
| 6,325,036  | 6,077,063 | 5,819,513 | 5,606,948 | 5,497,679 | 5,235,943 | 5,138,996 | 4,996,956 | 4,633,556 | 4,430,984 | DES. 308,871 |
| 6,284,123  | 6,064,027 | 5,813,384 | 5,606,851 | 5,320,795 | 5,197,425 | 5,086,890 | 4,977,879 | 4,630,498 |           | DES. 308,872 |
| 6,260,529  | 6,014,808 | 5,765,713 | 5,548,955 | 5,271,363 | 5,197,422 | 5,070,829 | 4,971,219 | 4,522,080 |           | DES. 309,457 |
| 6,230,678  | 5,894,715 | 5,645,025 | 5,546,901 | 5,269,713 | 5,191,864 | 5,058,544 | 4,895,119 | 4,520,288 |           | DES. 356,951 |
| 6,202,616  | 5,852,951 | 5,642,701 | 5,503,125 | 5,265,700 | 5,188,069 | 5,040,644 | 4,819,593 | 4,512,499 |           | DES. 361,771 |
| 6,116,212  | 5,823,153 | 5,619,845 | 5,501,203 | 5,243,878 | 5,186,142 | 5,009,208 | 4,719,682 | 4,453,507 |           | DES. 375,963 |



## Πώς να χρησιμοποιήσετε τις εικόνες του εγχειριδίου

- 1 - 9 αναφέρονται σε εικόνες μέσα σε περιγράμματα.
- 1 - 19 αναφέρονται σε εξαρτήματα του κινητήρα της εικόνας 1.
- 1 - 9 αναφέρονται σε εξαρτήματα και λειτουργίες.

Γράψτε εδώ το Μοδέλο, Τύπο, και Κωδικό του κινητήρα σας για μελλοντική χρήση.

Γράψτε εδώ την ημερομηνία αγοράς για μελλοντική χρήση.

## Εξαρτήματα κινητήρα

(βλέπε εικ. 1)

- |    |  |                |                |
|----|--|----------------|----------------|
| 1  | Χειρολαβή σχοινού  |                |                |
| 2  | Μοχλός γκαζιού   |                |                |
| 3  | <b>Κινητήρας</b>   | <b>Μοντέλο</b> | <b>Τύπος</b>   |
|    |  | xxxxxx         | xxxx xx        |
|    |  |                | <b>Κωδικός</b> |
|    |  |                | xxxxxxxx       |
| 4  | Φίλτρο αέρα  |                |                |
| 5  | Μοχλός Αέρα  |                |                |
| 6  | Πώμα πλήρωσης καυσίμου   |                |                |
| 7  | Διακόπτης σταματήματος/Προστατευτικό Σύστημα Λαδιού, εάν υπάρχει |                |                |
| 8  | Περιβλήμα Πτερωτής   |                |                |
| 9  | Καλώδιο του μπουζί   |                |                |
| 10 | Πώμα πλήρωσης λαδιού/Δείκτης λαδιού                              |                |                |
| 11 | Εξάτμιση   |                |                |
| 12 | Απορροφητήρας σπινθήρων, αν υπάρχει                              |                |                |
| 13 | Πώμα αδειάσματος   |                |                |
| 14 | Πώμα πλήρωσης λαδιού   |                |                |
| 15 | Ηλεκτρικός εκκινητής 12V, αν υπάρχει                             |                |                |
| 16 | Βαλβίδα παροχής καυσίμου, αν υπάρχει                             |                |                |

## Σύμβολα Κινδύνου και η Σημασία τους



## Διεθνή Σύμβολα και η Σημασία τους



## Προφυλάξεις ασφάλειας

**ΠΡΙΝ ΑΠΟ ΤΗ ΛΕΙΤΟΥΡΓΙΑ ΤΟΥ ΚΙΝΗΤΗΡΑ**

- Διαβάστε όλες τις Οδηγίες Λειτουργίας & Συντήρησης ΚΑΙ τις αντίστοιχες οδηγίες του μηχανήματος στο οποίο χρησιμοποιείται ο παρών κινητήρας.\*
- Η μη τήρηση των οδηγιών μπορεί να επιφέρει σοβαρό τραυματισμό ή θάνατο.

**ΟΙ ΟΔΗΓΙΕΣ ΛΕΙΤΟΥΡΓΙΑΣ & ΣΥΝΤΗΡΗΣΗΣ ΠΕΡΙΕΧΟΥΝ ΠΛΗΡΟΦΟΡΙΕΣ ΑΣΦΑΛΕΙΑΣ ΟΙ ΟΠΟΙΕΣ**

- Σας επισημαίνουν τους κινδύνους σε σχέση με τους κινητήρες
- Σας ενημερώνουν για τις πιθανότητες τραυματισμού σε σχέση με τους συγκεκριμένους κινδύνους, και
- Σας υποδεικνύουν πώς να αποφεύγετε τους τραυματισμούς ή να μειώνετε τις πιθανότητες τραυματισμού.

\* Η Briggs & Stratton δεν γνωρίζει απαραίτητα σε ποιο είδος εξοπλισμού πρόκειται να χρησιμοποιηθεί ο παρών κινητήρας. Γι' αυτό το λόγο, θα πρέπει να διαβάσετε προσεκτικά και να κατανοήσετε τις οδηγίες λειτουργίας του μηχανήματος πάνω στο οποίο έχει τοποθετηθεί ο κινητήρας.

**!** Το σύμβολο συναγερμού ασφάλειας χρησιμοποιείται για την αναγνώριση πληροφοριών ασφάλειας σε σχέση με κινδύνους οι οποίοι μπορούν να επιφέρουν προσωπικό τραυματισμό. Το σύμβολο συναγερμού συνοδεύεται από μια ενδεικτική λέξη (ΚΙΝΔΥΝΟΣ, ΠΡΟΕΙΔΟΠΟΙΗΣΗ, ή ΠΡΟΣΟΧΗ), δηλωτική της πιθανότητας τραυματισμού και της ενδεχόμενης σοβαρότητας αυτού. Επιπλέον, μπορεί να χρησιμοποιείται ένα σύμβολο κινδύνου, ενδεικτικό του τύπου κινδύνου.

- !** Η ένδειξη **ΚΙΝΔΥΝΟΣ** δηλώνει κίνδυνο ο οποίος, εάν δεν αποφευχθεί, θα προκαλέσει θάνατο ή σοβαρό τραυματισμό.
- !** Η ένδειξη **ΠΡΟΕΙΔΟΠΟΙΗΣΗ** δηλώνει κίνδυνο ο οποίος, εάν δεν αποφευχθεί, θα μπορούσε να προκαλέσει θάνατο ή σοβαρό τραυματισμό.

- !** Η ένδειξη **ΠΡΟΣΟΧΗ** δηλώνει κίνδυνο ο οποίος, εάν δεν αποφευχθεί, ίσως να προκαλέσει τραυματισμό μικρού ή μεσαίου βαθμού.
- Η ένδειξη **ΠΡΟΣΟΧΗ**, όταν χρησιμοποιείται χωρίς το σύμβολο συναγερμού, δηλώνει μια κατάσταση η οποία θα μπορούσε να προκαλέσει βλάβη του κινητήρα.

**!** **ΠΡΟΕΙΔΟΠΟΙΗΣΗ** **!**

Τα αέρια που εκπέμπει ο παρών κινητήρας περιέχουν χημικές ουσίες οι οποίες, σύμφωνα με έρευνες που πραγματοποιήθηκαν στην Πολιτεία της Καλιφόρνια, προκαλούν καρκίνο, γενετικές ατέλειες, ή άλλες γενετικές βλάβες.

 ΠΡΟΕΙΔΟΠΟΙΗΣΗ



Η βενζίνη και οι αναθυμιάσεις της αποτελούν εξαιρετικά εύφλεκτες και εκρηκτικές ουσίες.

Ενδεχόμενη φωτιά ή έκρηξη μπορούν να προκαλέσουν σοβαρά εγκαύματα ή θάνατο.

**ΚΑΤΑ ΤΗΝ ΑΝΑΠΛΗΡΩΣΗ ΚΑΥΣΙΜΟΥ**

- Σβήστε τον κινητήρα (θέση OFF) και αφήστε τον να κρυώσει για τουλάχιστον 2 λεπτά προτού να αφαιρέσετε το πώμα του δοχείου καυσίμου.
- Γεμίστε το δοχείο καυσίμου σε εξωτερικό ή καλά αεριζόμενο χώρο.
- Μην υπερπληρώνετε το δοχείο καυσίμου. Αφήστε ένα κενό περίπου 1-1/2 ίντσας κάτω από το στόμιο ώστε να είναι δυνατή η διάχυση του καυσίμου.
- Φροντίστε ώστε η βενζίνη να μην έρχεται σε επαφή με σπινθήρες, γυμνές φλόγες, ενδεικτικές φλόγες, θερμότητα, και άλλες πηγές ανάφλεξης.
- Ελέγχετε συχνά τις σωληνώσεις καυσίμου, το δοχείο καυσίμου, το πώμα και τα εξαρτήματα για ρωγμές και διαρροές. Κάντε αντικαταστάσεις εάν είναι απαραίτητα.

**ΚΑΤΑ ΤΗΝ ΕΚΚΙΝΗΣΗ ΤΟΥ ΚΙΝΗΤΗΡΑ**

- Βεβαιωθείτε ότι το μπουζί, η εξάτμιση, το πώμα του δοχείου καυσίμου και το φίλτρο αέρα βρίσκονται στη θέση τους.
- Μην προσπαθείτε να εκκινήσετε τον κινητήρα με βγαλμένο το μπουζί.
- Εάν χυθεί καύσιμο, περμάνετε έως ότου εξατμιστεί προτού να προβείτε σε εκκίνηση του κινητήρα.
- Εάν ο κινητήρας μπουκώσει, θέστε το τσοκ του αέρα στη θέση OPEN/RUN, θέστε το μοχλό του γκαζιού στη θέση FAST και τραβήξτε το σχοινί εκκίνησης επανειλημμένα έως ότου ο κινητήρας τεθεί σε λειτουργία.

**ΚΑΤΑ ΤΟ ΧΕΙΡΙΣΜΟ ΤΟΥ ΕΞΟΠΛΙΣΜΟΥ**

- Μην δίνετε στον κινητήρα ή τον εξοπλισμό κλίση με γωνία που προκαλεί έκχυση βενζίνης.
- Μην κλείνετε τον αέρα στο καρμπυρατέρ για να σταματήσετε τον κινητήρα.

**ΚΑΤΑ ΤΗ ΜΕΤΑΦΟΡΑ ΤΟΥ ΕΞΟΠΛΙΣΜΟΥ**

- Μεταφέρετε τον εξοπλισμό με το δοχείο καυσίμου ΑΔΕΙΟ ή με τη βαλβίδα διακοπής παροχής καυσίμου κλειστή (θέση OFF).

**ΓΙΑ ΤΗΝ ΑΠΟΘΗΚΕΥΣΗ ΒΕΝΖΙΝΗΣ Ή ΕΞΟΠΛΙΣΜΟΥ ΜΕ ΓΕΜΑΤΟ ΔΟΧΕΙΟ ΚΑΥΣΙΜΟΥ**

- Αποθηκεύετε μακριά από φούρνους, θερμάστρες, θερμοσίφωνες ή άλλες συσκευές που χρησιμοποιούν ενδεικτική φλόγα ή άλλες ενδεχόμενες πηγές ανάφλεξης των αναθυμιάσεων της βενζίνης.

 ΠΡΟΕΙΔΟΠΟΙΗΣΗ



Η εκκίνηση του κινητήρα προκαλεί σπινθηρισμούς.

Οι σπινθηρισμοί μπορούν να προκαλέσουν ανάφλεξη παρακείμενων εύφλεκτων αερίων.

Θα μπορούσαν να προκληθούν έκρηξη και φωτιά.

- Εάν στην περιοχή υπάρχει διαρροή φυσικού αερίου ή υγραερίου, μην εκκινήτε τον κινητήρα.
- Μην χρησιμοποιείτε ρευστά εκκίνησης υπό πίεση. Οι αναθυμιάσεις είναι εύφλεκτες.

 ΠΡΟΕΙΔΟΠΟΙΗΣΗ



Οι κινητήρες εκπέμπουν μονοξειδίο του άνθρακα, ένα άσπρο, άχρωμο, δηλητηριώδες αέριο.

Η εισπνοή του μονοξειδίου του άνθρακα μπορεί να προκαλέσει ναυτία, λιποθυμία ή θάνατο.

- Προβείτε σε εκκίνηση και λειτουργία του κινητήρα σε εξωτερικό χώρο.
- Μην προβαίνετε σε εκκίνηση και λειτουργία του κινητήρα σε κλειστό χώρο, ακόμη και αν οι πόρτες και τα παράθυρα είναι ανοικτά.

 ΠΡΟΕΙΔΟΠΟΙΗΣΗ



Τυχόν ακούσιοι σπινθηρισμοί μπορούν να προκαλέσουν φωτιά ή ηλεκτροπληξία.

Τυχόν ακούσια εκκίνηση μπορεί να προκαλέσει εμπλοκή μέλους στον κινητήρα, ακρωτηριασμό, ή κατατεμαχισμό.

**ΠΡΙΝ ΑΠΟ ΤΗΝ ΕΚΤΕΛΕΣΗ ΡΥΘΙΣΜΩΝ Ή ΕΠΙΣΚΕΥΩΝ**

- Αποσυνδέστε το καλώδιο του μπουζί και απομακρύνετε το από το μπουζί.
- Αποσυνδέστε την μπαταρία από τον αρνητικό ακροδέκτη (μόνο για μηχανές με ηλεκτρική εκκίνηση).

**ΚΑΤΑ ΤΟΝ ΕΛΕΓΧΟ ΓΙΑ ΣΠΙΝΘΗΡΑ**

- Χρησιμοποιείτε εγκεκριμένη διάταξη δοκιμής μπουζί.
- Μην κάνετε έλεγχο για σπινθήρα με βγαλμένο το μπουζί.

 ΠΡΟΕΙΔΟΠΟΙΗΣΗ



Η λειτουργία των κινητήρων παράγει θερμότητα. Τα εξαρτήματα του κινητήρα, και ιδιαίτερα η εξάτμιση, λαμβάνουν εξαιρετικά υψηλές θερμοκρασίες.

Τυχόν επαφή μπορεί να προκαλέσει σοβαρά εγκαύματα.

Υπολείμματα καύσιμων υλών, όπως φύλλα, γρασίδι, φύλλα θάμνων, κλπ. μπορούν να πιάσουν φωτιά.

- Μην αγγίζετε την εξάτμιση, τον κυλινδρό του κινητήρα και τα πτερύγια όσο είναι ακόμη θερμά.
- Απομακρύνετε τα συσσωρευμένα καύσιμα υλικά από την περιοχή της εξάτμισης και του κυλινδρού.
- Εγκαταστήστε και διατηρείτε σε λειτουργική κατάσταση μια σήτα απορρόφησης σπινθήρων πριν τη χρήση του εξοπλισμού σε δασώδη, χλωώδη, θαμνώδη άγρια περιοχή, όπως απαιτείται από τη νομοθεσία της πολιτείας της Καλιφόρνια (Τμήμα 4442 του Κώδικα περί Φυσικών Πόρων της Καλιφόρνια). Παρόμοιοι νόμοι ενδέχεται να ισχύουν και σε άλλες πολιτείες. Στην περίπτωση ομοσπονδιακού εδάφους ισχύει η ομοσπονδιακή νομοθεσία.

 ΠΡΟΕΙΔΟΠΟΙΗΣΗ



Τα περιστρεφόμενα εξαρτήματα μπορούν να αγγίξουν ή να μαγκώσουν χέρια, πόδια, μαλλιά, ρούχα ή αξεσουάρ.

Ενδέχεται να προκληθεί ακρωτηριασμός ή σοβαρός μορφής κατατεμαχισμός.

- Όταν χειρίζεστε τον εξοπλισμό φροντίστε ώστε οι προσφλεγματικές να βρίσκονται εγκαταστημένοι στη θέση τους.
- Κρατάτε τα χέρια και τα πόδια σας μακριά από τα περιστρεφόμενα εξαρτήματα.
- Μαζέψτε τα μαλλιά σας, εάν είναι μακριά, και αφαιρέστε τυχόν κοσμήματα.
- Μην φοράτε ρούχα που εφαρμόζουν χαλαρά επάνω σας, κορδόνια που κρέμονται ή είδη που θα μπορούσαν να πιαστούν στα περιστρεφόμενα εξαρτήματα του κινητήρα.

 ΠΡΟΕΙΔΟΠΟΙΗΣΗ



Η ταχεία ανάκλιση του σχοινιού εκκίνησης (κλώσθημα) θα τραβήξει το χέρι και τον βραχίονά σας προς τον κινητήρα πριν προλάβετε να αφήσετε το σχοινί.

Ενδέχεται να υποστείτε κατάγματα, συντριπτικά κατάγματα, μώλωπες ή διαστρέμματα.

- Κατά την εκκίνηση του κινητήρα, τραβήξτε το σχοινί αργά μέχρι να συναντήσετε αντίσταση, και στη συνέχεια τραβήξτε απότομα.
- Πριν να εκκινήσετε τον κινητήρα, αφαιρέστε όλα τα εξωτερικά φορτία του εξοπλισμού/κινητήρα.
- Εξαρτήματα άμεσης ζεύξης όπως, μεταξύ άλλων, λεπίδες, πτερωτές, τροχαλίες, αλιστροχοί, κλπ., πρέπει να ασφαλιζονται.

## Συστάσεις για το λάδι

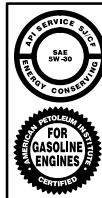
(βλέπε εικ. [2])

**Ο κινητήρας αποστéλλεται από τη Briggs & Stratton χωρίς λάδι. Πριν να τον εκκινήσετε, γεμίστε τον με λάδι. Μην τον υπερπληρώνετε.**

Χρησιμοποιείτε λάδι υψηλής ποιότητας, κατάταξης "Για συντήρηση SF, SG, SH, SJ" ή υψηλότερης, όπως το λάδι 30W, Αριθμός Εξαρτήματος 100005 (20 oz.) ή 100028 (48 oz.) της Briggs & Stratton. Τα λάδια αυτά δε χρειάζονται ειδικά βελτιωτικά.

Μην αναμειγνύετε λάδι με βενζίνη.

Επιλέγεται το βαθμό πικνότητας του λαδιού κατά SAE από αυτόν τον πίνακα ο οποίος τη συσχετίζει με την προβλεπόμενη θερμοκρασία εκκίνησης πριν την επόμενη αλλαγή λαδιού.



**Σημείωση:** Το συνθετικό λάδι που φέρει την ένδειξη ILSAC GF-2, πιστοποιήσης κατά API και το σύμβολο API (φαίνεται αριστερά), με κατάταξη "SJ/CF ENERGY CONSERVING" ή υψηλότερη, είναι αποδεκτό για όλες τις θερμοκρασίες. **Η χρήση συνθετικού λαδιού δεν μεταβάλλει την απαιτούμενη συχνότητα αλλαγής του λαδιού.**

\* Οι αερόψυκτοι κινητήρες θερμαίνονται περισσότερο από ότι οι αυτοκίνητοι κινητήρες. Η χρήση μη συνθετικών λαδιών πολλαπλού ιξώδους (5W-30, 10W-30, κλπ.) σε θερμοκρασίες άνω των 40° F (4° C) θα έχει ως αποτέλεσμα την αυξημένη κατανάλωση λαδιού. Όταν χρησιμοποιείτε λάδι πολλαπλού ιξώδους, ελέγχετε συχνότερα τη στάθμη του λαδιού.

\*\* Αν χρησιμοποιήσετε λάδι SAE 30 σε θερμοκρασίες κάτω των 4° C, θα είναι δύσκολο να ξεκινήσει ο κινητήρας, ενώ ενδέχεται να προκληθούν βλάβες στον κύλινδρο λόγω ελλιπούς λίπανσης.

**Ελέγξτε την στάθμη λαδιού.** Η χωρητικότητα λαδιού της Σειράς Μοντέλων είναι περίπου:

1,3 ltr ή 44 oz. για τα Μοντέλα 170000 και 190000.

1,4 ltr ή 48 oz. για το Μοντέλο 250000.

Τοποθετήστε τον κινητήρα σε οριζόντια θέση και καθαρίστε το σημείο γύρω από το στόμιο πλήρωσης ❶.

Αφαιρέστε το δείκτη του λαδιού ❷, καθαρίστε τον με καθαρό πανί, επανατοποθετήστε τον και σφίξτε τον ξανά. Αφαιρέστε το δείκτη του λαδιού και ελέγξτε τη στάθμη λαδιού. Το λάδι πρέπει να φθάνει ως την ένδειξη FULL (γεμάτο). Αν απαιτείται λάδι, προσθέστε το αργά. Αποφεύγετε την υπερπλήρωση.

Η

Αφαιρέστε το πώμα πλήρωσης λαδιού ❸. Η στάθμη λαδιού πρέπει να φθάνει μέχρι το σημείο υπερχειλίσσης ❹.

Σφίξτε το δείκτη λαδιού ή το πώμα πλήρωσης λαδιού καλά πριν εκκινήσετε τον κινητήρα.

## Συστάσεις για το καύσιμο

Χρησιμοποιήστε καθαρή, φρέσκια, αμόλυβδη βενζίνη με αριθμό οκτανίων τουλάχιστον 77. Μπορεί να χρησιμοποιηθεί και κοινή βενζίνη, αν υπάρχει και δε διατίθεται αμόλυβδη. Η ποσότητα της βενζίνης που αγοράζεται να είναι τέτοια ώστε να μπορεί να καταναλωθεί σε διάστημα 30 ημερών. Βλέπε **Αποθήκευση**.

Μην χρησιμοποιείτε βενζίνη που περιέχει μεθανόλη. Μην αναμειγνύετε βενζίνη με λάδι.

Για προστασία του κινητήρα συνηγορούμε τη χρήση Σταθεροποιητικού Βενζίνης της Briggs & Stratton το οποίο διατίθεται από εξουσιοδοτημένο αντιπρόσωπο της Briggs & Stratton.

## Ελέγξτε τη στάθμη καυσίμου



Πριν να ξαναγεμίσετε βενζίνη, αφήστε τον κινητήρα να κρυώσει για 2 λεπτά.

Προτού να αφαιρέσετε το πώμα του δοχείου καυσίμου, καθαρίστε την περιοχή γύρω από το πώμα πλήρωσης καυσίμου. Γεμίστε το δοχείο καυσίμου αφήνοντας ένα κενό περίπου 1/2 ίντσας κάτω από το στόμιο ώστε να είναι δυνατή η διάχυση του καυσίμου. Μην υπερπληρώνετε το δοχείο καυσίμου.

## Εκκίνηση (βλέπε εικ. [3] [4])



ΚΡΑΤΑΤΕ ΠΑΝΤΟΤΕ ΤΑ ΧΕΡΙΑ ΚΑΙ ΤΑ ΠΟΔΙΑ ΣΑΣ ΜΑΚΡΙΑ ΑΠΟ ΚΙΝΟΥΜΕΝΑ ΕΞΑΡΤΗΜΑΤΑ ΤΟΥ ΜΗΧΑΝΗΜΑΤΟΣ.

Μην χρησιμοποιείτε ρευστό εκκίνησης υπό πίεση. Οι αναθυμιάσεις είναι εύφλεκτες.

Η εκκίνηση, αποθήκευση και τροφοδοσία με καύσιμο του μηχανήματος πρέπει να γίνεται σε οριζόντια θέση. Ελέγξτε τη στάθμη λαδιού.

Ανοίξτε την βαλβίδα παροχής καυσίμου, εφόσον υπάρχει.

**ΠΡΟΣΟΧΗ:** Το προστατευτικό στοιχείο **OIL GARD®**, εάν υπάρχει, (βλέπε ⑦ εικ. [1]) εγκαθίσταται με σκοπό την αποτροπή της εκκίνησης του κινητήρα ο οποίος δεν έχει αρκετό λάδι. Το στοιχείο **OIL GARD®** ενδέχεται να μην σβήσει τον κινητήρα. Εάν η στάθμη του λαδιού δεν διατηρείται στα απαραίτητα επίπεδα ενδέχεται να προκληθεί βλάβη και να χάσετε την εγγύηση. Ελέγχετε πάντα τη στάθμη του λαδιού προτού να εκκινήσετε τον κινητήρα.

Αν ο κινητήρας διαθέτει προστατευτικό στοιχείο **OIL GARD®**, σε περίπτωση που μειωθεί η αισθητά στάθμη του λαδιού, η προειδοποιητική λυχνία του κινητήρα υποδεικνύει τη χαμηλή στάθμη λαδιού. Αν η λυχνία τρεμοπαίζει και ο κινητήρας δεν τίθεται σε λειτουργία, ή έχει σταματήσει και δεν επαναλειτουργεί, προσθέστε λάδι. Γεμίστε με λάδι έως το σημείο υπερχειλίσσης στο πώμα πλήρωσης ή έως το σημείο FULL του δείκτη λαδιού. Αποφύγετε την υπερπλήρωση.

## Πριν την εκκίνηση (βλέπε εικ. [3])

1. Μετακινήστε το μοχλό του αέρα ❶ στη θέση CHOKE.
2. Μετακινήστε το μοχλό του γκαζιού ❷ στη θέση FAST, εάν υπάρχει.
3. Γυρίστε τη βαλβίδα παροχής καυσίμου ❸ στη θέση ON, αν υπάρχει.
4. Μετακινήστε το μοχλό σταματήματος ❹ στην θέση ON, αν υπάρχει.

Σημείωση: Αν ο κινητήρας διαθέτει Προστατευτικό Σύστημα Λαδιού, τότε η φωτεινή ένδειξη στο διακόπτη σταματήματος δύο θέσεων ❹ θα αρχίσει να τρεμοπαίζει, προειδοποιώντας σας ότι έχει πέσει η στάθμη του λαδιού ή ότι ο κινητήρας θα σταματήσει και δε θα μπορεί να ξαναλειτουργήσει. Προσθέστε λάδι. Γεμίστε μέχρι την ένδειξη FULL του δείκτη του λαδιού (αποφεύγοντας την υπερπλήρωση) ή μέχρι να σημειωθεί υπερχειλίσση από το πώμα πλήρωσης του λαδιού.

## Εκκινήτης με αυτόματη επαναφορά σχοινιού

(βλέπε εικ. [4])



Πιάστε τη χειρολαβή του σχοινιού εκκίνησης και τραβήξτε το ελαφρά μέχρι να νιώσετε κάποια αντίσταση. Ακολουθώντας, τραβήξτε δυνατά το σχοινί έτσι ώστε, ξεπερνώντας τη συμπίεση και αποφεύγοντας το κλώτσημα,

να πάρει μπρος ο κινητήρας. Επαναλάβετε αν χρειαστεί με το τσοκ στη θέση RUN και τον μοχλό του γκαζιού στη θέση FAST. Μόλις ο κινητήρας εκκινήσει, συνεχίστε τη λειτουργία στη θέση FAST.

## Ηλεκτρικός εκκινήτης (βλέπε εικ. [4])

Σε κινητήρες εξοπλισμένους με συστήματα εκκίνησης των 12 volts, γυρίστε το κλειδί στη θέση START ❶ ή πατήστε το μπουτόν εκκίνησης ❷. Επαναλάβετε, αν χρειαστεί, με το μοχλό του αέρα στη θέση RUN και το μοχλό του γκαζιού στη θέση FAST. Όταν εκκινήσει ο κινητήρας, αφήστε τον να λειτουργεί στη θέση FAST.

Σημείωση: Αν ο κατασκευαστής του μηχανήματος παρέχει και τη μπαταρία, φορτίστε την σύμφωνα με τις συστάσεις του κατασκευαστή πριν προσπαθήσετε να εκκινήσετε τον κινητήρα.

Σημείωση: Χρησιμοποιείτε την εκκίνηση περιοδικά και για μικρό χρονικό διάστημα (15 δευτερόλεπτα ανά λεπτό) για να

επιμηκύνετε τη διάρκεια ζωής του εκκινήτη. Η παρατεταμένη εκκίνηση μπορεί να προκαλέσει βλάβη στον κινητήρα του εκκινήτη.

## Παύση (βλέπε εικ. [5])

Μη μετακινείτε το μοχλό του αέρα στη θέση CHOKE για να σταματήσετε τον κινητήρα. Ενδέχεται να προκληθεί ανεπισημοτήρ σπινθήρα ή βλάβη στον κινητήρα. Μετακινήστε το μοχλό του γκαζιού, αν υπάρχει, στη θέση IDLE ή SLOW ❶. Μετά γυρίστε το κλειδί στη θέση OFF ή μετακινήστε το μοχλό σταματήματος στη θέση OFF ❷. Κλείστε τη βαλβίδα παροχής καυσίμου ❸.

Σημείωση: Πρέπει πάντοτε να βγάξετε το κλειδί από τον διακόπτη όταν το μηχανήμα δεν είναι σε λειτουργία ή όταν το αφήνετε αψύλακτο.

Σημείωση: Κατά τη μεταφορά του κινητήρα πρέπει να είναι κλειστή η βαλβίδα παροχής καυσίμου για να αποφεύγονται οι διαρροές.

## Ρυθμίσεις (βλέπε εικ. [6])



Για να παρεμποδίσετε την κατά λάθος εκκίνηση, αφαιρέστε το καλώδιο του μπουζί ❶ και γεμίστε

το πριν να αρχίσετε τις ρυθμίσεις και αποσυνδέστε την μπαταρία στον αρνητικό πόλο, εάν υπάρχει.

## Ρυθμίσεις του μοχλού του γκαζιού (βλέπε εικ. [6])

### Ρύθμιση με το χέρι

Λασκάρτε ή σφίξτε το παξιμάδι με τα περύγια ❷ στη βάση του μοχλού ❸ μέχρις ότου ο μοχλός του γκαζιού να κινείται με κάποια δυσκολία αλλά να εξακολουθεί να παραμένει στη θέση που επιθυμείτε ενόσω ο κινητήρας είναι σε λειτουργία.

### Ρύθμιση λειτουργία ντίζας

Λασκάρτε τη βίδα στερέωσης του περιβλήματος ❹. Μετακινήστε το περίβλημα και το σύρμα ❺ προς την κατεύθυνση του βέλους μέχρι το τέλος της διαδρομής. Μετακινήστε το μοχλό του γκαζιού στη θέση FAST. Σφίξτε τη βίδα στερέωσης του περιβλήματος.

### Μόνιμη ρύθμιση ταχύτητας

Η βίδα ρύθμισης της μέγιστης ταχύτητας ❻ είναι προρυθμισμένη στο εργοστάσιο σύμφωνα με τις συστάσεις του κατασκευαστή του μηχανήματος. ΜΗΝ ΚΑΝΕΤΕ ΚΑΜΙΑ ΡΥΘΜΙΣΗ. Αν απαιτείται ρύθμιση, συμβουλευθείτε Εξουσιοδοτημένο Αντιπρόσωπο Εξυπηρέτησης της Briggs & Stratton.

### Ρύθμιση του καρμπυρατέρ



Ο κατασκευαστής του μηχανήματος πάνω στο οποίο είναι εγκατεστημένος αυτός ο κινητήρας καθορίζει την μέγιστη ταχύτητα στην οποία ο κινητήρας θα λειτουργεί. ΜΗΝ ΥΠΕΡΒΑΙΝΕΤΕ ΑΥΤΗΝ την ταχύτητα.

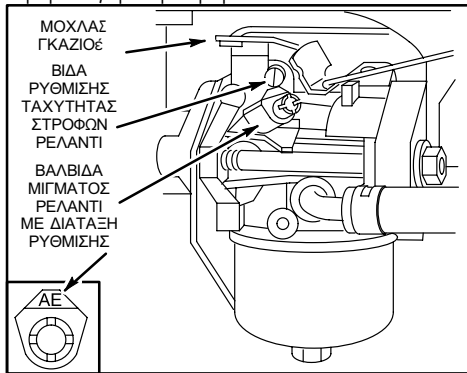
Για τη ρύθμιση του καρμπυρατέρ, απευθυνθείτε σε εξουσιοδοτημένο αντιπρόσωπο της Briggs & Stratton.

Προτού να προβείτε σε ρύθμιση, εκκινήστε τον κινητήρα και αφήστε τον να ζεσταθεί για περίπου 5 λεπτά. Με τον κινητήρα σε λειτουργία, μετακινήστε το μοχλό του γκαζιού στη θέση SLOW. Περιστρέψτε το λεβιέ του μοχλού του καρμπυρατέρ και κρατήστε τον κόντρα στη βίδα ρύθμισης ταχύτητας στρωφών ρελαντί ενόσω ρυθμίζετε την ταχύτητα των στρωφών στις 1750 στρωφές ανά λεπτό.

Περιστρέψτε τη βαλβίδα μίγματος ρελαντί πλήρως δεξιόστροφα και στη συνέχεια αριστερόστροφα. Τέλος, τοποθετήστε τη βαλβίδα μίγματος ρελαντί στα μισά της διαδρομής. Ελέγξτε την ταχύτητα ρελαντί και επαναρυθμίστε στις 1750 στρωφές ανά λεπτό, εάν χρειαστεί.

Μετακινήστε το μοχλό του γκαζιού στη θέση FAST. Ο κινητήρας θα πρέπει να εκκινήσει μαλακά. Σε αντίθεση

περίπτωση, ρυθμίστε τη βαλβίδα μίγματος ρελαντί στρέφοντας αριστερόστροφα κατά 1/8.



## Συντήρηση (βλέπε εικ. [7] [8] [9])

Βλέπε **Πρόγραμμα Συντήρησης**. Ακολουθήστε τα ημερολογιακά διαστήματα ή τις ώρες λειτουργίας, ανάλογα με το ποια συμπληρώνονται πρώτα. Μπορεί να χρειάζεται συχνότερη συντήρηση όταν η λειτουργία γίνεται σε δύσκολες συνθήκες.



Για να μην ξεκινήσει ο κινητήρας κατά λάθος, αφαιρέστε το καλώδιο του μπουζί ❶ και γειώστε το πριν από την συντήρηση, και

αποσυνδέστε την μπαταρία στον αρνητικό πόλο, εάν υπάρχει.

### Λίπανση (βλέπε εικ. [7])

Ελέγχετε τακτικά τη στάθμη του λαδιού.

Βεβαιωθείτε ότι η στάθμη του λαδιού διατηρείται στο σωστό επίπεδο. Να την ελέγχετε κάθε 5 ώρες ή ημερησίως, πριν εκκινήσετε τον κινητήρα. Βλέπε τη διαδικασία πλήρωσης λαδιού στο κεφάλαιο **Συστάσεις για το Λάδι**.

### Αλλάζετε το λάδι

Αλλάξτε το λάδι μετά τις πρώτες 5 ώρες λειτουργίας. Αλλάξτε λάδι ενόσω ο κινητήρας είναι ζεστός. Ξαναγεμίστε με καινούργιο λάδι με το συστώμενο βαθμό πυκνότητας κατά SAE (βλέπε εικ. [2]).

### Μειωτήρας, αν υπάρχει

Αφαιρέστε το πώμα πλήρωσης λαδιού ❷ και το πώμα στάθμης λαδιού ❸. Αδειάζετε το λάδι κάθε 100 ώρες λειτουργίας ή κάθε εποχή. Για να ξαναγεμίσετε, ρίξτε λάδι SAE 30 μέσα στην οπή πλήρωσης λαδιού, έως ότου υπερχειλίσει από την οπή ελέγχου στάθμης. Επανατοποθετήστε και τα δύο πώματα. Το πώμα πλήρωσης λαδιού έχει οπή εξαερισμού ❹ και πρέπει να τοποθετηθεί στο επάνω μέρος του καλύμματος του μειωτήρα.

### Συντήρηση φίλτρου αέρα (βλέπε εικ. [8])

Αντικαταστήστε το προφίλτρο ❷, και/ή το στοιχείο φίλτρο ❸ αν είναι πολύ βρώμικο ή φθαρμένο.

1. Ασκάρετε τις βίδες και, κατόπιν, αφαιρέστε το περιβλήμα και το συγκρότημα φίλτρου από την βάση.
2. Αφαιρέστε το συγκρότημα φίλτρου από το περιβλήμα και αποσυναρμολογήστε το.

Για τη συντήρηση του προφίλτρου, πλύντε το με υγρό απορρυπαντικό και νερό. Στεγνώστε το, πιέζοντάς το με καθαρό πανί. Μουσκεύετε το με λάδι κινητήρα. Σκουπίστε το, πιέζοντάς το με καθαρό πανί για να αφαιρέσετε ΟΛΟ ΤΟ ΠΑΡΑΠΑΝΙΣΙΟ ΛΑΔΙ.

Για να συντηρήσετε το στοιχείο του φίλτρου, καθαρίστε το κτυπώντας το μαλακά πάνω σε επίπεδη επιφάνεια. Μη χρησιμοποιείτε πετρελαϊκά διαλυτικά, π.χ. κηροζίνη, που

μπορεί να φθείρουν το στοιχείο του φίλτρου. Μην χρησιμοποιείτε πεπιεσμένο αέρα, που μπορεί να βλάψει το φίλτρο. Μη λυπαίνετε το στοιχείο του φίλτρου.

3. Τοποθετήστε τη θήκη ❶, το προφίλτρο (με την πλευρά του προφίλτρου με το πλέγμα προς τις πτυχές του στοιχείου) και το ίδιο το στοιχείο μέσα στο περιβλήμα.

4. Τοποθετήστε τις προεξοχές ❷ του περιβλήματος μέσα στις υποδοχές ❸ της βάσης. Σφίξτε καλά τις βίδες του περιβλήματος.

Συντήρηση μπουζί (βλέπε εικ. [8]).



ΜΗΝ ελέγχετε για σπινθήρα ενώ έχετε αφαιρέσει το μπουζί. Για τον έλεγχο του σπινθήρα, χρησιμοποιείτε αποκλειστικά το Δοκιμαστή Σπινθήρων της Briggs & Stratton ❸ ΜΗΝ

προσπαθείτε να εκκινήσετε τον κινητήρα με βγαλμένο το μπουζί. Αν έχει "μπουκώσει" ο κινητήρας, βάλτε το μοχλό του γκαζιού στη θέση FAST και προσπαθήστε να τον εκκινήσετε.

Το διάκενο του μπουζί ❷ πρέπει να είναι 0,76 mm ή 0,030 in. Να καθαρίζετε/να αντικαθιστάτε το μπουζί κάθε 100 ώρες ή κάθε εποχή, ανάλογα με το ποιο χρονικό διάστημα συμπληρώνεται πρώτο. Δοκιμαστή μπουζί και μπουζόκλειδο διαθέτουν όλοι οι εξουσιοδοτημένοι αντιπρόσωποι συντήρησης της Briggs & Stratton.

Σημείωση: Στις Σειρές Μοντέλων 19E400, 19F400, 19G400, οι κινητήρες χρησιμοποιούν μόνο μπουζί, Αρ. Εξαρτήματος 496018. Στις Σειρές Μοντέλων 192400, 196400, 197400, 250400, 257400 οι κινητήρες χρησιμοποιούν, ανάλογα με τις απαιτήσεις, ή κανονικό μπουζί, Αρ. Εξαρτήματος 492167 ή μπουζί με αντίσταση, Αρ. Εξαρτήματος 802592.

Σημείωση: Σε ορισμένες περιπτώσεις, η τοπική νομοθεσία απαιτεί τη χρήση μπουζί με αντίσταση για να καταστέλλονται τα κύματα ανάφλεξης. Αν ο κινητήρας σας είχε αρχικά μπουζί με αντίσταση, πρέπει να χρησιμοποιήσετε τον ίδιο τύπο στις επόμενες αντικαταστάσεις.

### Διατηρείτε τον κινητήρα καθαρό (βλέπε εικ. [9])

Περιοδικά να αφαιρέτε τα χόρτα και τα υπολείμματα που μαζεύονται από τον κινητήρα. Μην ψεκάζετε τον κινητήρα με νερό για να τον καθαρίσετε, επειδή το νερό ενδέχεται να φθάσει στο καύσιμο. Καθαρίστε τον με βούρτσα ή με πεπιεσμένο αέρα.



Τα συσσωρευμένα υπολείμματα γύρω από την εξάτμιση ❷ μπορεί να προκαλέσουν φωτιά. Να ελέγχετε και να καθαρίζετε το σημείο αυτό πριν από κάθε χρήση.

Αν η εξάτμιση διαθέτει σήτα απορρόφησης σπινθήρων ❸, να την αφαιρέτε για καθαρισμό και έλεγχο κάθε 50 ώρες ή κάθε εποχή και να την αντικαθιστάτε εφόσον έχει φθαρεί.

Για ομαλή λειτουργία, να διατηρείτε το μηχανισμό του ρυθμιστή ταχύτητας, ❹ τα ελατήρια και τους μοχλούς καθαρά από υπολείμματα.



Αντικαταστήστε το φίλτρο καυσίμου που βρίσκεται μέσα στο σωλήνα τροφοδοσία ❸. Πριν αντικαταστήσετε το φίλτρο καυσίμου θα πρέπει να αδειάσετε το ρεζερβουάρ ή να κλείσετε τη βαλβίδα παροχής καυσίμου.

Να καθαρίζετε το σύστημα ψύξης. Το σύστημα ψύξης με αέρα που διαθέτει ο κινητήρας μπορεί να έχει φράξει από χόρτα ή υπολείμματα, ειδικά μετά από παρατεταμένη λειτουργία. Τα εσωτερικά πτερύγια ψύξης και οι επιφάνειες ενδέχεται να χρειάζονται καθαρισμό για να μην υπερθερμαίνεται και να μην

παθαίνει βλάβες ο κινητήρας. Αφαιρέστε το κάλυμμα της πτερωτής και καθαρίστε το όπως δείχνει η εικόνα ❸.

## Πρόγραμμα Συντήρησης

Ακολουθήστε τα ημερολογιακά διαστήματα ή τις ώρες λειτουργίας, ανάλογα με το ποια συμπληρώνονται πρώτα. Μπορεί να χρειαστεί συχνότερη συντήρηση όταν η λειτουργία γίνεται υπό τις δύσκολες συνθήκες που σημειώνονται παρακάτω.

### Πρώτες 5 ώρες

- Αλλαγή λαδιού

### Κάθε 5 ώρες ή καθημερινά

- Έλεγχος στάθμης λαδιού
- Καθαρίστε το χώρο γύρω από την εξάτμιση, τα ελατήρια και τους συνδέσμους

### Κάθε 25 ώρες ή κάθε εποχή

- Αλλαγή λαδιού εάν η λειτουργία γίνεται με βαρύ φορτίο ή σε υψηλή θερμοκρασία περιβάλλοντος
- Συντήρηση του προφίλτρου του φίλτρου αέρα\*

### Κάθε 50 ώρες ή κάθε εποχή

- Αλλαγή λαδιού
- Καθαρισμός και έλεγχος της σήτας απορρόφησης σπινθήρων, αν υπάρχει

### Κάθε 100 ώρες ή κάθε εποχή

- Συντήρηση του στοιχείου του φίλτρου αέρα\*
- Αντικαταστήστε το φίλτρο καυσίμου που βρίσκεται μέσα στο σωλήνα τροφοδοσίας
- Αντικατάσταση/καθαρισμός μπουζί
- Αλλάξτε το λάδι του μειωτήρα, αν υπάρχει
- Καθαρισμός συστήματος ψύξης\*

\* Ο καθαρισμός να γίνεται συχνότερα σε συνθήκες σκόνης ή όταν υπάρχουν αερόφερτα υπολείμματα ή χόρτα.

## Μερικός Κατάλογος Γνήσιων Εξαρτημάτων Briggs & Stratton

Briggs & Stratton (ή Ισάξια)

### Εξάρτημα

### Αρ. Εξαρτήματος

|   |  |
|---|--|
| Λάδι (20 oz.)   | 100005   |
| Λάδι (48 oz.)   | 100028   |
| Κιτ αντλίας λαδιού (χρησιμοποιεί κοινό ηλεκτρικό μηχανισμό για την ταχεία αφαίρεση λαδιού από τον κινητήρα) | 5056   |
| Σταθεροποιητικό καυσίμου (θύλακας μιας χρήσης 1 oz., 30 ml)   | 992030   |
| Σταθεροποιητικό καυσίμου (φιάλη 4,2 oz., 125 ml)  | 999005E (5041)   |
| Φίλτρο καυσίμου (χωρίς αντλία καυσίμου)   | 298090 (5018)  |
| Φίλτρο καυσίμου (με αντλία καυσίμου)  | 394358 ή 493629  |
| Στοιχείο φίλτρου αέρα   | 492889   |
| Προφίλτρο φίλτρου αέρα  | 496077   |
| Μπουζί με αντίσταση   | 496018E (μοντέλα 19E400, 19F400, 19G400)                               |
| Μπουζί από πλατίνα μεγάλης διάρκειας  | 5066 (μοντέλα 19E400, 19F400, 19G400)                                  |
| Μπουζί με αντίσταση (μοντέλα 192400, 196400, 197400, 250400, 256400, 257400)                                | 802592E  |
| Κοινό μπουζί (μοντέλα 192400, 196400, 197400, 250400, 256400, 257400)                                       | 492167   |
| Μπουζί από πλατίνα μεγάλης διάρκειας  | 992041 (5062) (μοντέλα 192400, 196400, 197400, 250400, 256400, 257400) |
| Δοκιμαστής σπινθήρων  | 19368  |
| Μπουζόκλειδο  | 89838 (5023)   |
| Απορροφητήρας σπινθήρων   | 399541 ή 392390  |

## Αποθήκευση

Κινητήρες που αποθηκεύονται για χρονικό διάστημα μεγαλύτερο των 30 ημερών πρέπει να αδειάζονται από τυχόν υπολείμματα καυσίμου για να μη στομώνουν το σύστημα τροφοδοσίας καυσίμου και βασικά εξαρτήματα του καρμπυρατέρ.

Για την προστασία του κινητήρα συνιστούμε τη χρήση του Σταθεροποιητικού Καυσίμου της Briggs & Stratton, το οποίο μπορείτε να βρείτε σε όλα τα εξουσιοδοτημένα συνεργεία της Briggs & Stratton. Αναμίξτε το σταθεροποιητικό με τη βενζίνη μέσα στο δοχείο καυσίμου ή στο δοχείο αποθήκευσης. Λειτουργήστε για λίγο τον κινητήρα, έτσι ώστε να ανακυκλώσετε το σταθεροποιητικό μέσα από το καρμπυρατέρ. Ο κινητήρας και το καύσιμο μπορούν να εξακολουθήσουν να φυλάσσονται εκτός χρήσης για διάστημα 24 μηνών.

Σημείωση: Αν δε χρησιμοποιείτε σταθεροποιητικό ή ο κινητήρας λειτουργεί με βενζίνη που περιέχει αλκοόλη, π.χ. καύσιμο μηχανών, αδειάστε όλο το καύσιμο από το δοχείο και λειτουργήστε τον κινητήρα έως ότου σταματήσει από έλλειψη καυσίμου.

1. Αλλάξτε το λάδι. Βλέπε **Αλλαγή Λαδιού**

(βλέπε εικ. [2] [7]).

2. Αφαιρέστε το μπουζί και χύστε περίπου 1 oz. (30 ml) λάδι κινητήρα μέσα στον κύλινδρο. Αντικαταστήστε το μπουζί και τραβήξτε ελαφρά το σχονί εκκίνησης για να διασκορπίσετε το λάδι.
3. Καθαρίστε το γρασίδι και τα υπολείμματα από τον κύλινδρο και τα πτερύγια της κεφαλής του, κάτω από το προστατευτικό δακτύλων και πίσω από την εξάτμιση.
4. Η αποθήκευση να γίνεται σε καθαρό και ξηρό μέρος αλλά ΟΧΙ κοντά σε θερμάστρα, φούρνο ή θερμοσίφωνα που χρησιμοποιεί ενδεικτική φλόγα ή άλλη συσκευή που μπορεί να προκαλέσει σπινθήρα.

## Εξυπηρέτηση

Απευθυνθείτε σε εξουσιοδοτημένο συνεργείο της Briggs & Stratton. Κάθε εξουσιοδοτημένο συνεργείο έχει τα γνήσια ανταλλακτικά της Briggs & Stratton και διαθέτει ειδικά εργαλεία συντήρησης. Οι εκπαιδευμένοι μηχανικοί τους εγγυώνται τις εργασίες συντήρησης και επισκευής όλων των κινητήρων της Briggs & Stratton. Μόνο τα αναφερόμενα ως "Εξουσιοδοτημένα Συνεργεία της Briggs & Stratton" είναι υποχρεωμένα να πληρούν τις προδιαγραφές της.

Κάθε φορά που αγοράζετε έναν εξοπλισμό με κινητήρα Briggs & Stratton, έχετε εξασφαλισμένο αξιόπιστο σέρβις από άριστα εκπαιδευμένο προσωπικό, και περισσότερα από 30.000 Εξουσιοδοτημένα Συνεργεία ανά τον κόσμο, με περισσότερους από 5.000 Ειδικούς Τεχνικούς. Αναζητήστε αυτά τα σήματα όπου υπάρχει σταθμός σέρβις της Briggs & Stratton.



Αν ψάχνετε το πλησιέστερο Εξουσιοδοτημένο Συνεργείο της Briggs & Stratton ανατρέξτε στο χάρτη αντιπροσώπων στην ιστοσελίδα μας [www.briggsandstratton.com](http://www.briggsandstratton.com), ή στο "Χρυσό



Οδηγό™ στις κατηγορίες "Κινητήρες, Βενζίνη", "Βενζινοκινητήρες" ή "Χλοοκοπτικά" ή σε κάποια αντίστοιχη κατηγορία.

Σημείωση: Το λογότυπο με τα δάκτυλα να φυλλομετρούν τις σελίδες και ο "Χρυσός Οδηγός" είναι σήματα κατατεθέντα ποικίλων δικαιοδοσιών.

Το εικονογραφημένο εγχειρίδιο συντήρησης περιέχει "Θεωρίες Λειτουργίας", κοινές προδιαγραφές και λεπτομερείς πληροφορίες που καλύπτουν τη ρύθμιση, τη γενική συντήρηση και την επισκευή στους μονοκύλινδρους 4χρονους κινητήρες με κεφαλή σχήματος L της Briggs & Stratton. Μπορείτε να το παραγγείλετε με κωδικό 270962 σε εξουσιοδοτημένο συνεργείο συντήρησης της Briggs & Stratton.

Να επιμένετε για γνήσια ανταλλακτικά Briggs & Stratton με το λογότυπο πάνω στο κουτί ή/και στο τεμάχιο. Μη γνήσια ανταλλακτικά μπορεί να μην αποδώσουν το ίδιο καλά και μπορεί να χάσετε την εγγύηση.

# Η ΠΟΛΙΤΙΚΗ ΕΓΓΥΗΣΗΣ ΤΗΣ BRIGGS & STRATTON ΓΙΑ ΤΟΥΣ ΚΙΝΗΤΗΡΕΣ

Ισχύει από 1 Ιανουαρίου 2003, αντικαθιστά όλες τις μη χρονολογημένες Εγγυήσεις και όλες τις Εγγυήσεις με ημερομηνία πριν από την 1 Ιανουαρίου 2003.

## ΠΕΡΙΟΡΙΣΜΕΝΗ ΕΓΓΥΗΣΗ

Η Briggs & Stratton Corporation θα επισκευάσει ή θα αντικαταστήσει, χωρίς καμία επιβάρυνσή σας, κάθε εξάρτημα(-τα) του κινητήρα τα οποία έχουν ελαττωματικό υλικό ή ελαττώματα που οφείλονται σε κακή εργασία κατασκευής, ή και στα δύο. Τα έξοδα μεταφοράς των εξαρτημάτων που προσκομίζονται για επισκευή ή αντικατάσταση στα πλαίσια της παρούσας Εγγύησης επιβαρύνουν τον αγοραστή. Η παρούσα εγγύηση ισχύει για τα ακόλουθα χρονικά διαστήματα και υπόκειται στους όρους που αναφέρονται παρακάτω. Για επισκευή βάσει της εγγύησης εντοπίστε το πλησιέστερο εξουσιοδοτημένο συνεργείο συντήρησης που θα βρείτε στο χάρτη αναζήτησης των αντιπροσώπων της ιστοσελίδας μας [www.briggsandstratton.com](http://www.briggsandstratton.com), ή καλώντας μας στο 1-800-233-3723, ή στο "Χρυσό Οδηγό".

ΔΕΝ ΥΠΑΡΧΕΙ ΑΛΛΗ ΡΗΤΗ ΕΓΓΥΗΣΗ. ΟΙ ΥΠΟΔΗΛΟΥΜΕΝΕΣ ΕΓΓΥΗΣΕΙΣ, ΣΥΜΠΕΡΙΛΑΜΒΑΝΟΜΕΝΩΝ ΚΑΙ ΕΚΕΙΝΩΝ ΤΗΣ ΕΜΠΟΡΕΥΣΙΜΟΤΗΤΑΣ ΚΑΙ ΤΗΣ ΚΑΤΑΛΛΗΛΟΤΗΤΑΣ ΓΙΑ ΕΝΑ ΣΥΓΚΕΚΡΙΜΕΝΟ ΣΚΟΠΟ ΠΕΡΙΟΡΙΖΟΝΤΑΙ ΣΤΟ ΧΡΟΝΙΚΟ ΔΙΑΣΤΗΜΑ ΕΝΟΣ ΕΤΟΥΣ ΑΠΟ ΤΗΝ ΗΜΕΡΟΜΗΝΙΑ ΑΓΟΡΑΣ Ή, ΣΤΟ ΒΑΘΜΟ ΠΟΥ ΕΠΙΤΡΕΠΕΙ Ο ΝΟΜΟΣ, ΟΛΕΣ ΟΙ ΥΠΟΔΗΛΟΥΜΕΝΕΣ ΕΓΓΥΗΣΕΙΣ ΕΞΑΙΡΟΥΝΤΑΙ. ΚΑΜΙΑ ΕΓΓΥΗΣΗ ΔΕΝ ΚΑΛΥΠΤΕΙ ΤΙΣ ΣΥΜΠΤΩΜΑΤΙΚΕΣ Ή ΕΠΑΚΟΛΟΥΘΕΣ ΖΗΜΙΕΣ ΣΤΟ ΜΕΤΡΟ ΠΟΥ ΑΥΤΟ ΕΠΙΤΡΕΠΕΤΑΙ ΑΠΟ ΤΟ ΝΟΜΟ. Κάποιες χώρες ή πολιτείες δεν επιτρέπουν περιορισμούς ως προς τη διάρκεια μιας υποδηλούμενης εγγύησης, και κάποιες χώρες ή πολιτείες δεν επιτρέπουν τον αποκλεισμό ή τον περιορισμό των συμπτωματικών ή επακόλουθων ζημιών και, συνεπώς, ο παραπάνω περιορισμός και αποκλεισμός ενδέχεται να μην εφαρμόζονται στην περίπτωση σας. Αυτή η εγγύηση σας παρέχει ειδικά νομικά δικαιώματα και ενδέχεται επίσης να έχετε και άλλα δικαιώματα που διαφέρουν από χώρα σε χώρα και από πολιτεία σε πολιτεία.

## ΠΡΟΪΟΝ ΤΗΣ ΕΤΑΙΡΙΑΣ ΜΑΣ

|           |  |  |          |       |
|-----------|--|--|----------|-------|
| VANGUARD™ | ELS™<br>I/C®<br>Industrial Plus™<br>Intek™ (με<br>Χιτώνιο από<br>Χυτοσίδηρο) | Fource™<br>Intek™ (Kool Bore)<br>Power Built™ OHV<br>QUANTUM®<br>Quattro™<br>Q45™<br>Sprint™ | Classic™ | Etek™ |
|-----------|--|--|----------|-------|

## ΠΕΡΙΟΔΟΣ ΕΓΓΥΗΣΗΣ\*

|                     |        |           |           |           |           |
|---------------------|--------|-----------|-----------|-----------|-----------|
| Χρήση από Ιδιώτη    | 2 έτη  | 2 έτη     | 2 έτη     | 1 έτος    | 1 έτος    |
| Επαγγελματική χρήση | 1 έτος | 90 ημέρες | 90 ημέρες | 90 ημέρες | 90 ημέρες |

\* **Επισημαίνονται οι ακόλουθες ειδικές εγγυήσεις: 2 χρόνια** για τους κινητήρες Classic™ στις χώρες της Ευρωπαϊκής Ένωσης και της Ανατολικής Ευρώπης, για όλα τα προϊόντα ιδιωτικής χρήσης στην Ευρωπαϊκή Ένωση, και για τα συστήματα ελέγχου εκπομπών σε κινητήρες με πιστοποίηση EPA και CARB. **5 χρόνια** για χρήση από ιδιώτη, 90 ημέρες για επαγγελματική χρήση, για τον εκκινητή Touch-N-Mow® σε κινητήρες Quantum® και Intek™. **Οι κινητήρες που χρησιμοποιούνται σε αγώνες, ή σε επαγγελματικής χρήσης ή ενοικιαζόμενα αυτοκίνητα, δεν καλύπτονται από την εγγύηση.**

Η περίοδος ισχύος της εγγύησης αρχίζει από την ημερομηνία αγοράς από τον αρχικό αγοραστή, στην περίπτωση λιανικής πώλησης, ή τον τελικό χρήστη, στην περίπτωση επαγγελματικής χρήσης, και συνεχίζεται για τη χρονική περίοδο που δηλώνεται στον παραπάνω πίνακα. "Χρήση από ιδιώτη" σημαίνει χρήση σε χώρο προσωπικής διαμονής από τον αρχικό αγοραστή λιανικής πώλησης. "Επαγγελματική χρήση" σημαίνει όλες τις άλλες χρήσεις, συμπεριλαμβανομένης και της χρήσης για εμπορικό σκοπό, χρήση επί αμοιβή ή ενοίκιαση. Εφόσον ένας κινητήρας έχει χρησιμοποιηθεί για επαγγελματικούς σκοπούς, στο πλαίσιο της παρούσας εγγύησης, θα θεωρείται ως κινητήρας επαγγελματικής χρήσης.

**ΔΕΝ ΑΠΑΙΤΕΙΤΑΙ ΣΥΜΠΛΗΡΩΣΗ ΚΑΡΤΑΣ ΓΙΑ ΝΑ ΕΧΕΤΕ ΕΓΓΥΗΣΗ ΣΤΑ ΠΡΟΪΟΝΤΑ ΤΗΣ BRIGGS & STRATTON. ΦΥΛΑΞΤΕ ΤΟ ΑΠΟΔΕΙΚΤΙΚΟ ΑΓΟΡΑΣ. ΕΑΝ ΔΕΝ ΠΡΟΣΚΟΜΙΣΕΤΕ ΑΠΟΔΕΙΚΤΙΚΟ ΤΗΣ ΑΡΧΙΚΗΣ ΑΓΟΡΑΣ ΤΗ ΣΤΙΓΜΗ ΤΗΣ ΑΙΤΗΣΗΣ ΓΙΑ ΕΠΙΣΚΕΥΗ ΒΑΣΕΙ ΤΗΣ ΕΓΓΥΗΣΗΣ, Ο ΠΡΟΣΔΙΟΡΙΣΜΟΣ ΤΗΣ ΠΕΡΙΟΔΟΥ ΕΓΓΥΗΣΗΣ ΘΑ ΒΑΣΙΣΤΕΙ ΣΤΗΝ ΗΜΕΡΟΜΗΝΙΑ ΚΑΤΑΣΚΕΥΗΣ ΤΟΥ ΠΡΟΪΟΝΤΟΣ.**

## ΣΧΕΤΙΚΑ ΜΕ ΤΗΝ ΕΓΓΥΗΣΗ ΤΟΥ ΚΙΝΗΤΗΡΑ ΣΑΣ

Η Briggs & Stratton ευχαρίστως επισκευάζει εφόσον υπάρχει εγγύηση και ζητάει συν γνώμη για την ταλαιπωρία σας. Κάθε εξουσιοδοτημένο συνεργείο της Briggs & Stratton μπορεί να αναλαμβάνει επισκευές λόγω εγγύησης. Οι περισσότερες επισκευές με εγγύηση εξυπηρετούνται προγραμματισμένα, αλλά κάποιες φορές τα ατύχημα για την συντήρηση λόγω εγγύησης ενδέχεται να μην είναι τα κατάλληλα. Για παράδειγμα, η εγγύηση δεν θα ισχύει στην περίπτωση που η ζημία του κινητήρα συνέβη λόγω κακής μεταχείρισης, έλλειψης προγραμματισμένης συντήρησης, διακίνησης, χειρισμού, αποθήκευσης ή ακατάλληλης εγκατάστασης. Παρομοίως, η εγγύηση δεν ισχύει στην περίπτωση που ο αριθμός σειρών του κινητήρα έχει αφαιρεθεί ή ο κινητήρας έχει μεταβληθεί ή τροποποιηθεί. Εάν ένας πελάτης αμφισβητεί την απόφαση του αντιπροσώπου συντήρησης, μπορεί να κάνει μία έρευνα για να προσδιορίσει εάν ισχύει η εγγύηση. Ζητήστε από τον αντιπρόσωπο συντήρησης να υποβάλει όλα τα απαραίτητα στοιχεία στο Διανομέα του ή στο Εργοστάσιο για εξέταση. Εάν ο Διανομέας ή το Εργοστάσιο αποφασίσει ότι η απαίτηση είναι δικαιολογημένη, ο πελάτης θα αποζημιωθεί πλήρως για εκείνα τα τεμάχια τα οποία είναι ελαττωματικά. Για να αποφευχθούν οι παρεξηγήσεις που θα μπορούσαν να συμβούν μεταξύ του πελάτη και του Αντιπροσώπου, αναφέρονται παρακάτω κάποιες από τις αιτίες της βλάβης κινητήρα τις οποίες δεν τις καλύπτει η εγγύηση.

### Κανονική φθορά:

Όπως όλες οι μηχανές, οι κινητήρες χρειάζονται περιοδική συντήρηση ή αντικατάσταση εξαρτημάτων προκειμένου να λειτουργούν σωστά. Η εγγύηση δεν καλύπτει την επισκευή σε περιπτώσεις όπου ένα εξάρτημα ή ένας κινητήρας, μετά από κανονική χρήση, έχει φθάσει στο τέλος της ζωής του.

### Μη σωστή συντήρηση:

Η διάρκεια ζωής ενός κινητήρα εξαρτάται από τις συνθήκες με τις οποίες λειτουργεί και από την συντήρηση που του γίνεται. Κάποιες εφαρμογές όπως π.χ. καλλιερητικά, αντλίες και περιστροφικά χορτοκοπτικά χρησιμοποιούνται πολύ συχνά σε συνθήκες με σκόνη ή βρομιά, οι οποίες μπορεί να προκαλέσουν πρόωρη φθορά. Μία τέτοια φθορά, όταν προκαλείται από σκόνη, βρομιά, ύλη επικάλυψης μπουζί ή από άλλο υλικό που προέβη από τον κινητήρα και το οποίο έχει εισέλθει στον κινητήρα λόγω μη σωστής συντήρησης, δεν καλύπτεται από εγγύηση.

Αυτή η εγγύηση καλύπτει ελαττωματικό υλικό ή/και εργασία σε σχέση με τον κινητήρα μόνο και όχι αντικατάσταση ή επιστροφή χρημάτων για το μηχανήμα πάνω στο οποίο ενδέχεται να είναι τοποθετημένος ο κινητήρας. Η εγγύηση επίσης δεν καλύπτει τις επισκευές που χρειάστηκαν λόγω:

1. ΠΡΟΒΛΗΜΑΤΩΝ ΠΟΥ ΠΡΟΕΚΥΨΑΝ ΑΠΟ ΕΞΑΡΤΗΜΑΤΑ ΤΑ ΟΠΟΙΑ ΔΕΝ ΕΙΝΑΙ ΓΝΗΣΙΑ ΑΝΤΑΛΛΑΚΤΙΚΑ ΤΗΣ BRIGGS & STRATTON.
2. Στοιχείων ελέγχου του μηχανήματος ή εγκαταστάσεων που εμποδίζουν την εκκίνηση, προκαλούν μη ικανοποιητική απόδοση του κινητήρα ή περιορίζουν τη διάρκεια ζωής του (απευθυνθείτε στον κατασκευαστή του μηχανήματος).
3. Καρμπυρατέρ με διαρροή, φραγμένους σωληνώσεων καυσίμου, κολλημένους βαλβίδων ή άλλης ζημιάς, που προκλήθηκε από τη χρήση "μολυσμένου" καυσίμου ή καυσίμου που έμεινε για καιρό. (Χρησιμοποιείτε καθαρό, φρέσκια, αμύλβδη βενζίνη και Σταθεροποιητικό Καυσίμου της Briggs & Stratton με κωδ. αρ. 5041)
4. Εξαρτημάτων με ρωγμές ή σπασίματα λόγω λειτουργίας του κινητήρα χωρίς αρκετό λιπαντικό ή με "μολυσμένο" λάδι, ή με λάδι ακατάλληλου βαθμού (ελέγχετε τη στάθμη του λαδιού καθημερινά ή κάθε 8 ώρες λειτουργίας. Προσθέτετε όποτε χρειάζεται και αλλάζετε το λάδι με την προτεινόμενη συχνότητα.) Το προστατευτικό στοιχείο OIL GARD® ενδέχεται να μην βρθεί στον κινητήρα. Αν η στάθμη του λαδιού δεν διατηρείται όπως πρέπει μπορεί να προκληθεί βλάβη του κινητήρα. Διαβάστε τις Οδηγίες Λειτουργίας & Συντήρησης.
5. Επισκευές ή ρύθμιση σχετιζόμενων εξαρτημάτων ή συγκροτημάτων όπως συμπλεκτών, γραναζιών μετάδοσης κίνησης, τηλεχειρισμών κλπ. τα οποία δεν κατασκευάζονται από τη Briggs & Stratton.
6. Ζημιάς ή βλάβης σε εξαρτήματα που προέκυψε από σκόνη που εισήλθε στον κινητήρα λόγω μη σωστής συντήρησης του φίλτρου αέρα, επανασυναρμολόγησης ή χρήσης μη γνήσιου στοιχείου του φίλτρου. (Στα συστήματα τακτά χρονικά διαστήματα, να καθαρίζετε και να επαναλιπαίνετε το στοιχείο

Oil-Foam® ή το αφρώδες προφίλτρο και να αντικαθιστάτε το στοιχείο). Διαβάστε τις Οδηγίες Λειτουργίας & Συντήρησης

7. Εξαρτημάτων που έπαθαν ζημιά από υπερβολική ταχύτητα ή υπερβάρυνση που προκλήθηκε από γρασίδι, σκόνη ή υπολείμματα τα οποία βουλώνουν ή φράζουν τα πτερύγια ψύξης ή την περιοχή της πτερυγής ή ζημιάς που προκλήθηκε από λειτουργία του κινητήρα σε περιορισμένο χώρο χωρίς επαρκή αερισμό. (Καθαρίζετε στα συστήματα τακτά χρονικά διαστήματα τα πτερύγια στον κλινίδιο, στην κεφαλή του κλινιδίου και στην πτερυγή). Διαβάστε τις Οδηγίες Λειτουργίας & Συντήρησης.
8. Εξαρτημάτων του κινητήρα ή του μηχανήματος που έχουν σπάσει λόγω υπερβολικών δονήσεων που προκλήθηκαν από χαλαρή συναρμολόγηση του κινητήρα, από λασκαρισμένες κοπτικές λεπίδες, από μη ζυγοσταθμισμένες λεπίδες ή λασκαρισμένες ή μη ζυγοσταθμισμένες πτερωτές, από μη σωστή προσαρμογή του μηχανήματος στο στροφαλοφόρο άξονα του κινητήρα, από υπερβολική ταχύτητα ή άλλη παραβίαση κατά τη λειτουργία.
9. Στραβωμένου ή σπασμένου στροφαλοφόρου άξονα, λόγω κτυπήματος στερεού αντικειμένου με την κοπτική λεπίδα περιστρεφόμενου χορτοκοπτικού ή λόγω υπερβολικού τεντώματος του τραπεζοειδούς μάντα.
10. Προγραμματισμένης γενικής συντήρησης ή ρύθμισης του κινητήρα.
11. Βλάβης του κινητήρα ή εξαρτήματος του, π.χ. θαλάμου καύσης, βαλβίδων, εδράσεων βαλβίδων, οδηγών βαλβίδων, ή λόγω καμένων πηνίων του κινητήρα που εκκινητή, που προέκυψαν από τη χρήση εναλλακτικών καυσίμων, όπως υδροποιημένο πετρέλαιο, φυσικό αέριο, εναλλακτικές βενζίνες, κλπ

Η εγγύηση παρέχεται μόνο μέσω των αντιπροσώπων συντήρησης οι οποίοι είναι εξουσιοδοτημένοι από τη Briggs & Stratton Corporation. Ο πλησιέστερος σε σας εξουσιοδοτημένος αντιπρόσωπος συντήρησης είναι καταχωρημένος στον "Χρυσό Οδηγό" στην κατηγορία "Κινητήρες, Βενζίνη" ή "Βενζινοκινητήρες", "Χλοκοπτικά" ή σε παρόμοια κατηγορία.

|   |           |           |           |           |           |           |           |           |           |           |              |
|---|-----------|-----------|-----------|-----------|-----------|-----------|-----------|-----------|-----------|-----------|--------------|
| Οι κινητήρες της Briggs & Stratton είναι κατασκευασμένοι με βάση ένα ή περισσότερα από τα ακόλουθα διπλώματα ευρεσιτεχνίας: Σχεδιασμός D-247,177 (Τα Υπόλοιπα Διπλώματα Ευρεσιτεχνίας Εκκρεμούν). | 6,325,036 | 6,077,063 | 5,819,513 | 5,606,948 | 5,497,679 | 5,235,943 | 5,138,996 | 4,996,956 | 4,633,556 | 4,430,984 | DES. 308,871 |
|   | 6,284,123 | 6,064,027 | 5,813,384 | 5,606,851 | 5,320,795 | 5,197,425 | 5,086,890 | 4,977,879 | 4,630,498 |           | DES. 308,872 |
|   | 6,260,529 | 6,014,808 | 5,765,713 | 5,548,955 | 5,271,363 | 5,197,422 | 5,070,829 | 4,971,219 | 4,522,080 |           | DES. 309,457 |
|   | 6,230,678 | 5,894,715 | 5,645,025 | 5,546,901 | 5,269,713 | 5,191,864 | 5,058,544 | 4,895,119 | 4,520,288 |           | DES. 356,951 |
|   | 6,202,616 | 5,852,951 | 5,642,701 | 5,503,125 | 5,265,700 | 5,188,069 | 5,040,644 | 4,819,593 | 4,512,499 |           | DES. 361,771 |
|   | 6,116,212 | 5,823,153 | 5,619,845 | 5,501,203 | 5,243,878 | 5,186,142 | 5,009,208 | 4,719,682 | 4,453,507 |           | DES. 375,963 |

## Come utilizzare le Figure del manuale

1 - 9 fare riferimento alle figure nelle copertine.

1 - 19 fare riferimento ai componenti del motore in figura 1.

1 - 9 fare riferimento alle parti/misure nelle figure.

Annotare i numeri di modello, tipo e codice del motore per futuro riferimento.

Annotare qui la data di acquisto per futuro riferimento.

## Componenti del motore

(vedere fig. 1)

- |   |   |
|---|---|
| ① | Manopola della fune   |
| ② | Comando acceleratore  |
| ③ | <b>Motore</b> <b>Modello</b> <b>Tipo</b> <b>Codice</b><br>xxxxxx      xxxx xx      xxxxxxxx |
| ④ | Filtro dell'aria  |
| ⑤ | Comando dell'aria   |
| ⑥ | Rifornimento del carburante   |
| ⑦ | Interruttore di arresto/Oil Gard®, se previsto  |
| ⑧ | Convogliatore aria  |
| ⑨ | Filo della candela  |
| ⑩ | Rifornimento dell'olio/astina di livello  |
| ⑪ | Silenziatore  |
| ⑫ | Parascintille, se previsto  |
| ⑬ | Tappo di scarico dell'olio  |
| ⑭ | Tappo di rifornimento dell'olio   |
| ⑮ | Motorino elettrico 12V, se previsto   |
| ⑯ | Rubinetto del carburante, se previsto   |

## Simboli di pericolo e relativo significato



## Simboli internazionali e relativo significato



## Precauzioni di sicurezza

**PRIMA DI AVVIARE IL MOTORE**

- Leggere attentamente le Istruzioni per l'uso e la manutenzione E le istruzioni per l'attrezzatura sulla quale è installato questo motore.\*
- Il mancato rispetto delle istruzioni può provocare gravi lesioni personali o morte.

**LE ISTRUZIONI PER L'USO E LA MANUTENZIONE CONTENGONO INFORMAZIONI IMPORTANTI PER LA SICUREZZA AL FINE DI**

- Conoscere i potenziali rischi associati ai motori
- Informare l'utente degli incidenti associati a questi rischi e
- Indicare come evitare o ridurre al minimo il rischio di incidente.

\* La Briggs & Stratton non conosce necessariamente l'applicazione sulla quale verrà installato questo motore. Per questo motivo è molto importante leggere e capire l'intero contenuto del manuale d'istruzioni dell'attrezzatura sulla quale è installato il motore.

Il simbolo avvertenza di sicurezza si utilizza per identificare norme di sicurezza che, in caso di mancato rispetto, possono provocare gravi lesioni personali.

Insieme al simbolo viene utilizzata una parola (PERICOLO, AVVERTENZA o ATTENZIONE) per indicare la probabilità e la potenziale entità degli incidenti. Inoltre può essere utilizzato un simbolo di pericolo per rappresentare il tipo di rischio.

**PERICOLO** indica un pericolo, che in caso di mancato rispetto, **provocerà gravi lesioni personali o morte.**

**AVVERTENZA** indica un pericolo, che in caso di mancato rispetto, **può provocare gravi lesioni personali o morte.**

**ATTENZIONE** indica un pericolo, che in caso di mancato rispetto, **può provocare lesioni personali o incidenti di minore entità.**

**ATTENZIONE**, se utilizzata **senza** il simbolo di avvertimento, indica una situazione in grado di **provocare danni al motore.**

**AVVERTENZA**

Ai sensi delle leggi dello Stato della California, i gas di scarico di questo motore contengono sostanze chimiche in grado di provocare cancro, malformazioni fetali o altri difetti riproduttivi.

 **AVVERTENZA**



La benzina ed i relativi vapori sono altamente infiammabili ed esplosivi.

Un incendio oppure un'esplosione possono provocare gravi ustioni o morte.

**DURANTE IL RIFORNIMENTO DEL CARBURANTE**

- Spegner il motore e lasciarlo raffreddare per almeno 2 minuti prima di togliere il tappo del carburante.
- Effettuare il rifornimento del carburante all'aperto oppure in un locale ben ventilato.
- Non riempire eccessivamente il serbatoio. Rabboccare il serbatoio a circa 3-4 cm dal bordo superiore per consentire al carburante di espandersi.
- Tenere lontano il carburante da scintille, fiamme libere, fiamme pilota, fonti di calore ed altre fonti di accensione.
- Controllare frequentemente che il sistema di alimentazione, il serbatoio, il tappo e i raccordi non presentino crepe né perdite. Se necessario, sostituire le parti danneggiate.

**ALL'AVVIAMENTO DEL MOTORE**

- Accertarsi che candela, silenziatore, tappo del carburante e filtro dell'aria siano montati correttamente.
- Non far girare il motore senza candela.
- In caso di perdite di carburante, lasciarlo evaporare prima di avviare il motore.
- In caso di ingolfamento del motore, portare lo starter in posizione OPEN/RUN, portare l'acceleratore su FAST e far girare il motore finché non si avvia.

**DURANTE L'USO DELL'ATTREZZATURA**

- Non inclinare il motore o l'attrezzatura ad un'angolazione tale da provocare fuoriuscite di carburante.
- Non agire sul comando chiusura aria carburatore per spegnere il motore.

**DURANTE IL TRASPORTO DELL'ATTREZZATURA**

- Trasportare l'attrezzatura con il serbatoio VUOTO oppure con la valvola di chiusura del carburante su OFF.

**IMMAGAZZINAGGIO DEL CARBURANTE O DELL'ATTREZZATURA CON IL SERBATOIO PIENO**

- Conservare lontano da forni, stufe, caldaie o altri dispositivi con fiamme pilota o altre fonti di accensione in grado di infiammare i vapori del carburante.

 **AVVERTENZA**



All'avviamento del motore viene prodotta una scintilla.

La scintilla può incendiare gli eventuali gas infiammabili nelle vicinanze.

Pericolo di incendio o esplosione.

- Non avviare il motore in prossimità di perdite di metano o GPL.
- Non utilizzare fluidi di avviamento pressurizzati poiché i relativi vapori sono infiammabili.

 **AVVERTENZA**



Il motore emette monossido di carbonio, un gas inodore, incolore e velenoso.

L'inalazione di monossido di carbonio può provocare nausea, svenimento o morte.

- Avviare e far funzionare il motore all'aperto.
- Non avviare o far funzionare il motore in locali chiusi, anche se porte e finestre sono aperte.

 **AVVERTENZA**



Una scintilla accidentale può provocare un incendio oppure una scossa elettrica.

L'avviamento accidentale può provocare schiacciamento, amputazione o lacerazione degli arti.

**PRIMA DI EVENTUALI REGOLAZIONI O RIPARAZIONI**

- Staccare il cavo della candela ed allontanarlo dalla candela.
- Staccare il terminale negativo della batteria (solamente sui motori ad avviamento elettrico).

**IN CASO DI VERIFICA DELLA SCINTILLA**

- Utilizzare un tester prova scintilla approvato.
- Non controllare l'accensione se la candela non è installata.

 **AVVERTENZA**



I motori accesi generano calore. Le parti del motore, in particolare il silenziatore, possono diventare estremamente calde.

In caso di contatto sussiste il rischio di gravi ustioni.

I detriti infiammabili, ad esempio foglie, erba, paglia, ecc. possono incendiarsi.

- Lasciare sempre raffreddare il silenziatore, i cilindri e le alette prima di toccarli.
- Rimuovere eventuali detriti infiammabili accumulati nelle vicinanze di cilindri e silenziatore.
- Ai sensi della legge dello Stato della California (Sezione 4442 del California Public Resources Code), installare un parascintille ed accertarsi sempre che sia in buone condizioni prima di utilizzare l'attrezzatura all'interno di foreste, boschi o terreni erbosi. Altri stati possono avere leggi simili. Sui terreni federali si applicano le leggi federali.

 **AVVERTENZA**



Le parti rotanti possono toccare o intrappolare mani, piedi, capelli, indumenti o accessori.

Pericolo di amputazione o gravi lacerazioni.

- Utilizzare sempre l'attrezzatura con i carter protettivi montati correttamente.
- Tenere lontani mani e piedi dalle parti rotanti.
- Raccogliere i capelli lunghi e togliersi eventuali gioielli.
- Non indossare indumenti larghi, stringhe lunghe o altri oggetti che potrebbero rimanere impigliati.

 **AVVERTENZA**



La rapida ritrazione della fune di avviamento (contraccolpo) può proiettare con forza mani e braccia in direzione del motore.

Pericolo di lussazioni, fratture, contusioni o distorsioni.

- Per avviare il motore, tirare lentamente la fune finché non si sente una certa resistenza, quindi tirarla con forza.
- Prima di avviare il motore, disinserire tutte le attrezzature esterne e gli eventuali carichi dal motore.
- Fissare saldamente eventuali componenti ad accoppiamento diretto come lame, giranti, pulegge, rocchetti, ecc.



## Raccomandazioni per l'olio

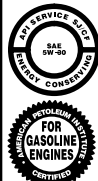
(vedere fig. [2])

Il motore viene fornito dalla Briggs & Stratton senza olio. Prima di avviare il motore, rabboccarlo con olio. Non riempire eccessivamente.

Utilizzare un olio detergente di alta qualità, classificato "Per assistenza SF, SG, SH, SJ" o superiore, ad es. l'olio Briggs & Stratton 30W, P/N 100005 (20 oz.) oppure 100028 (48 oz.). Assieme agli oli consigliati non utilizzare altri additivi speciali.

Non mescolare olio e benzina.

Scegliere il grado di viscosità SAE dell'olio in base alla seguente tabella, che riporta la temperatura di avviamento anticipata prima del successivo cambio dell'olio.



**Nota:** Può essere utilizzato anche un olio sintetico classificato ILSAC GF-2, con marchio API e simbolo "SJ/CF ENERGY CONSERVING" o superiore (vedere a sinistra), a qualsiasi temperatura. **L'uso di olio sintetico non altera gli intervalli di cambio raccomandati.**

\* I motori raffreddati ad aria raggiungono temperature superiori a quelli automobilistici. L'uso di oli multiviscosi non sintetici (5W-30, 10W-30, ecc.) a temperature superiori a 40° F (4° C) può comportare un consumo d'olio superiore rispetto al normale. In caso di utilizzo di olio multiviscoso, controllare più frequentemente il livello dell'olio.

\*\* L'olio SAE 30, se utilizzato a temperature inferiori a 4° C, rende difficoltoso l'avviamento e può comportare danni all'alesaggio del motore per lubrificazione insufficiente.

**Controllare il livello dell'olio.** Le capacità delle varie serie di modelli sono le seguenti:

1,3 litri oppure 44 oz. per i modelli 170000 e 190000.

1,4 litri oppure 48 oz. per il modello 250000.

Mettere il motore in piano e pulire intorno al foro di riempimento dell'olio ❶.

Togliere l'asta di livello ❷, pulirla con un panno pulito, reinserirla e riavvitarla. Togliere l'asta di livello e controllare il livello dell'olio. L'olio deve raggiungere il segno FULL. Se la quantità d'olio è insufficiente, rabboccare lentamente. Non riempire eccessivamente.

OPPURE

Togliere il tappo di rifornimento dell'olio ❸. L'olio deve raggiungere il segno ❹.

Stringere saldamente l'asta di livello o il tappo di rifornimento dell'olio prima di avviare il motore.

## Raccomandazioni per il carburante

Utilizzare benzina pulita, fresca e senza piombo con un numero minimo di 77 ottani. Se non si dispone di benzina senza piombo, è possibile utilizzare benzina normale. Acquistare il carburante in quantità tale che possa essere utilizzato entro 30 giorni. Vedere **Rimessaggio**.

Non utilizzare benzina contenente metanolo. Non mescolare olio e benzina.

Per proteggere il motore si raccomanda di utilizzare lo stabilizzatore per carburante Briggs & Stratton, acquistabile presso tutti i Centri di Assistenza Autorizzati Briggs & Stratton.

## Controllare il livello del carburante



Prima di rabboccare, lasciare raffreddare il motore per 2 minuti.

Pulire l'area intorno al tappo del carburante. Rabboccare il serbatoio fino a circa 3-4 cm dal bordo superiore del serbatoio per consentire al carburante di espandersi. Prestare attenzione a non riempire eccessivamente il serbatoio.

## Avviamento (vedere figg. [3] [4])



TENERE SEMPRE MANI E PIEDI LONTANI DALLE PARTI MOBILI DELL'ATTREZZATURA.



Non utilizzare fluidi di avviamento sotto pressione. I relativi vapori sono infiammabili.

Avviare, rimessare e rabboccare l'attrezzatura in posizione piana.

Controllare il livello dell'olio.

Aprire il rubinetto del carburante, se previsto.

**ATTENZIONE: OIL GARD®**, se previsto

(vedere [7] fig. [1]) protegge il motore in caso di basso livello dell'olio. **OIL GARD®** potrebbe non spegnere un motore acceso. In caso di basso livello dell'olio si possono verificare danni al motore, non coperti dalla garanzia. Controllare sempre il livello dell'olio prima di avviare il motore.

Se il motore è dotato di **OIL GARD®** ed il livello dell'olio è basso, la spia nell'interruttore a bilanciere si accende ad indicazione del basso livello dell'olio. Se la spia lampeggia ed il motore non si avvia, oppure si è spento e non può essere riavviato, occorre rabboccare l'olio fino al segno FULL sull'asta di livello. Non rabboccare eccessivamente.

## Prima dell'avviamento (vedere fig. [3])

1. Portare il comando dell'aria ❶ in posizione CHOKE.
2. Portare il comando acceleratore ❷ in posizione FAST, se previsto.
3. APRIRE il rubinetto del carburante ❸, se previsto.
4. Portare il comando d'arresto ❹ in posizione ON, se previsto.

Nota: Se il motore è dotato di Oil Gard®, un leggero oscillamento dell'interruttore di arresto a bilanciere ❹ indica un basso livello dell'olio oppure provoca l'arresto del motore che non può essere riavviato. Aggiungere olio. Rabboccare mediante il tappo di rifornimento dell'olio fino al segno **FULL** sull'asta di livello (non riempire eccessivamente).

## Avviatore riavvolgente (vedere fig. [4])



Afferrare la manopola della fune e tirarla lentamente fino a sentire una certa resistenza. A questo punto tirare rapidamente la corda per superare la compressione, evitare contraccolpi ed avviare il motore.

Se necessario, ripetere la procedura con il comando dell'aria in posizione RUN ed il comando acceleratore in posizione FAST. Una volta avviato il motore, farlo funzionare nella posizione FAST.

## Avviamento elettrico (vedere fig. [4])

Sui motori dotati di impianto di avviamento a 12 volt, portare la chiavetta in posizione START ❶ o premere il

pulsante di avviamento ❷. Se necessario, ripetere la procedura con il comando dell'aria in posizione RUN ed il comando acceleratore in posizione FAST. Una volta avviato il motore, farlo funzionare nella posizione FAST.

Nota: Se l'attrezzatura è dotata di batteria, caricarla seguendo le istruzioni del costruttore prima di tentare l'avviamento del motore.

Nota: L'utilizzo di cicli di avviamento brevi (15 secondi per min.) prolunga la durata dell'avviatore. Un eccessivo adescamento può provocare danni al motorino di avviamento.

## Arresto (vedere fig. [5])

Non portare il comando dell'aria in posizione CHOKE per spegnere il motore. Sussiste il rischio di ritorni di fiamma o danni al motore. Portare il comando acceleratore ❶ in posizione di MINIMO o SLOW, se previsto. Portare quindi la chiavetta in posizione OFF oppure portare il comando d'arresto in posizione OFF ❷. Chiudere il rubinetto del carburante ❸.

Nota: Togliere sempre la chiavetta quando non si utilizza o si lascia incustodita l'attrezzatura.

Nota: Prima di trasportare il motore, chiudere il rubinetto del carburante per prevenire eventuali perdite di carburante.

## Regolazioni (vedere fig. [6])



Per prevenire l'avviamento accidentale del motore, staccare il cavo della candela ❶

prima di eseguire le regolazioni, metterlo a massa e staccare il terminale negativo della batteria, se previsto.

## Regolazioni del comando acceleratore

(vedere fig. [6])

### Comando frizione manuale

Allentare o serrare il dado ad alette ❷ sulla piastra di comando ❸ finché il comando acceleratore non si muove con una certa resistenza e rimane nella posizione desiderata a motore acceso.

### Comando a distanza

Allentare le vite di fissaggio della guaina ❹. Muovere completamente la guaina ed il cavo ❺ nella direzione della freccia. Portare il comando acceleratore in posizione FAST. Serrare le vite di fissaggio della guaina.

### Comando regolatore fisso

La vite di regolazione del massimo ❻ è stata pre-impostata in fabbrica come indicato dal costruttore dell'attrezzatura e **NON DEVE ESSERE REGOLATA**. Nel caso in cui sia necessaria la regolazione, rivolgersi ad un Centro di Assistenza Autorizzato Briggs & Stratton.

## Regolazione del carburatore



Il produttore dell'attrezzatura sulla quale è installato il presente motore specifica il regime massimo consentito per il motore. **NON SUPERARE** il suddetto regime.

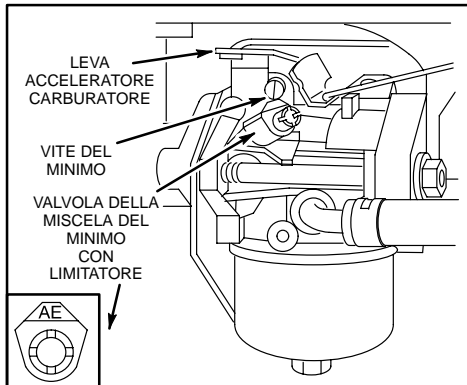
Per la regolazione del carburatore, rivolgersi ad un Centro di Assistenza Autorizzato Briggs & Stratton.

Prima di eseguire la regolazione, avviare il motore e farlo funzionare per circa 5 minuti. A motore acceso, portare il comando acceleratore in posizione SLOW (MINIMO). Ruotare la leva dell'acceleratore del carburatore contro la vite del minimo e tenerla in questa posizione. Girare la vite del minimo in modo da ottenere un regime compreso di 1750 giri/min.

Ruotare le vite del minimo completamente in senso orario, quindi completamente in senso antiorario. A questo punto,

posizionare la valvola della miscela del minimo a metà corsa. Controllare il regime al minimo e, se necessario, regolarlo di nuovo a 1750 giri/min.

Portare il comando acceleratore in posizione FAST. Il motore deve gradualmente accelerare. In caso contrario, girare la valvola della miscela del minimo di 1/8 di giro in senso antiorario.



## Manutenzione (vedere figg. [7] [8] [9])

Vedere **Programma di manutenzione**. Seguire le scadenze orarie o periodiche, rispettando quella che si presenta prima in ordine di tempo. Si fa tuttavia rilevare che in caso di funzionamento in condizioni difficili, la manutenzione va effettuata più di frequente.



Per evitare avviamenti accidentali, staccare il filo dalla candela ① e metterlo a massa prima di eseguire le regolazioni, e staccare il terminale negativo della batteria, se previsto.

### Controllo dell'olio (vedere fig. [7])

Controllare regolarmente il livello dell'olio.

Assicurarsi di mantenere il livello dell'olio a valori corretti. Controllare ogni 5 ore oppure ogni giorno, prima di avviare il motore. Vedere la procedura di rifornimento dell'olio in **Raccomandazioni per l'olio**.

### Cambio dell'olio

Cambiare l'olio dopo le prime 5 ore di funzionamento. Effettuare il cambio dell'olio quando il motore è caldo. Rabboccare con olio nuovo del grado di viscosità SAE consigliato (vedere fig. [2]).

### Riduttore, se previsto

Togliere il tappo di rifornimento ② ed il tappo di livello dell'olio ③. Sostituire l'olio ogni 100 ore di funzionamento o stagione. Per rabboccare, aggiungere olio SAE 30 nel foro di rifornimento finché non fuoriesce dal foro di controllo. Reinstallare entrambi i tappi. Il tappo di rifornimento dell'olio è dotato di un foro di sfioro ④ e deve essere installato sull'estremità superiore del carter del riduttore.

### Manutenzione del filtro dell'aria (vedere fig. [8])

Sostituire il pre-filtro ②, e/o la cartuccia ③ nel caso in cui siano molto sporchi o danneggiati.

1. Allentare le viti. Togliere quindi il gruppo coperchio e filtro dell'aria dalla base.
2. Togliere il gruppo filtro dell'aria dall'interno del coperchio e smontarlo.

Lavare il pre-filtro con detergente ed acqua. Asciugarlo con un panno pulito. Impregnarlo d'olio motore. Strizzarlo in carta assorbente pulita rimuovendo TUTTO L'OLIO IN ECCESSO.

Pulire la cartuccia battendola leggermente su una superficie piana. Non utilizzare solventi a base di petrolio, ad es. kerosene, poiché possono provocare il deterioramento della cartuccia. Non utilizzare aria compressa onde evitare danni alla cartuccia. Non oliare la cartuccia.

3. Rimontare il contenitore con il prefiltro ④, sulla cartuccia (lato della retina del pre-filtro rivolto verso le alette della cartuccia). Inserire il tutto nel coperchio filtro.
4. Inserire le linguette ⑤ del coperchio nelle scanalature ⑥ della base. Serrare saldamente le viti del coperchio.

### Manutenzione della candela (vedere fig. [8])



NON controllare la scintilla senza la candela non è installata. A tal scopo utilizzare il tester prova scintilla Briggs & Stratton ⑥.

NON far girare il motore senza candela. Se il motore è ingolfato, portare il comando acceleratore nella posizione FAST e farlo girare col motorino di avviamento finché non parte.

La distanza elettrodo della candela ⑦ deve essere di 0,76 mm.

Pulire/sostituire la candela ogni 100 ore di funzionamento o stagione, a seconda della scadenza che si presenta per prima. Il tester prova scintilla e la chiave per candele sono disponibili presso qualsiasi Centro di Assistenza Autorizzato Briggs & Stratton.

Nota: Sui motori modelli serie 19E400, 19F400 e 19G400 utilizzare solamente la candela P/N 496018. Sui motori modelli serie 192400, 196400, 197400, 250400, 256400 e 257400 utilizzare la candela standard P/N 492167 o la candela con resistore P/N 802592.

Nota: In alcuni paesi per legge è obbligatorio l'uso di candele con resistore per la soppressione dei segnali di accensione. Se il motore, all'origine, era dotato di una candela con resistore, sostituirla con una candela dello stesso tipo.

### Tenere pulito il motore (vedere fig. [9])

Rimuovere periodicamente paglia e detriti dal motore. Non pulire il motore con getti d'acqua in quanto l'acqua potrebbe inquinare il carburante. Utilizzare una spazzola o aria compressa.



L'accumulo di detriti intorno al silenziatore ② può provocare un incendio. Pulire e controllare il silenziatore prima dell'uso.

Se il silenziatore è dotato di schermo parascintille ③, togliere il parascintille per pulirlo e controllarlo ogni 50 ore di funzionamento o stagione. Sostituirlo nel caso in cui sia danneggiato.

Per ottenere le massime prestazioni, tenere i leverismi del regolatore, le molle ed i comandi ④ puliti dai detriti.



Sostituire il filtro del carburante in linea ⑤. Prima di sostituire il filtro, spurgare il serbatoio o chiudere il rubinetto del carburante.

Pulire il sistema di raffreddamento. Residui di paglia o detriti possono intasare il sistema di raffreddamento del motore, specialmente dopo il funzionamento prolungato. Pulire le alette e le superfici interne del sistema di raffreddamento per prevenire surriscaldamento e danni al motore. Togliere il convogliatore aria e pulirlo come illustrato ⑥.

## Programma di manutenzione

Seguire le scadenze orarie o periodiche, rispettando quella che si presenta prima in ordine di tempo. Si fa tuttavia rilevare che in caso di funzionamento in condizioni difficili, la manutenzione va effettuata più di frequente.

### Prime 5 ore

- Cambiare l'olio

### Ogni 5 ore o ogni giorno

- Controllare il livello dell'olio
- Pulire l'area intorno al silenziatore, le molle e la tiranteria

### Ogni 25 ore o ogni stagione

- Cambiare l'olio se il motore viene sottoposto a carico gravoso o adoperato quando fa molto caldo
- Pulire il pre-filtro dell'aria\*

### Ogni 50 ore o ogni stagione

- Cambiare l'olio
- Controllare e pulire il parascintille (se previsto).

### Ogni 100 ore o ogni stagione

- Eseguire la manutenzione della cartuccia del filtro dell'aria\*
- Sostituire il filtro del carburante in linea, se previsto.
- Sostituire/pulire la candela
- Cambiare l'olio nel riduttore, se previsto
- Pulire il sistema di raffreddamento\*

\* Pulire più frequentemente in caso di utilizzo in zone polverose, in presenza di detriti nell'aria o di paglia.

## Elenco parziale di ricambi originali Briggs & Stratton Briggs & Stratton (o equivalente)

### Particolare

### P/N


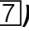
|  |  |
|--|--|
| Olio (0,600 lt) .....  | 100005                                   |
| Olio (1,400 lt) .....  | 100028                                   |
| Kit pompa dell'olio (per trapano elettrico standard . 5056 per la rapida rimozione dell'olio dal motore)           |  |
| Additivo per carburante (cartuccia monouso da 30 ml) .....   | 992030                                   |
| Additivo per carburante (flacone da 125 ml) .....  | 999005E (5041)                           |
| Filtro del carburante (senza pompa di alimentazione) .....   | 298090 (5018)                            |
| Filtro del carburante (con pompa di alimentazione) .....   | 394358 o 493629                          |
| Cartuccia del filtro dell'aria .....   | 492889                                   |
| Pre-filtro del filtro dell'aria .....  | 496077                                   |
| Candela con resistore .....  | 496018E (modelli 19E400, 19F400, 19G400) |
| Candela al platino a lunga durata .....  | 5066 (modelli 19E400, 19F400, 19G400)    |
| Candela con resistore (modelli 192400, . . . 802592E 196400, 197400, 250400, 256400, 257400)                       |  |
| Candela standard (modelli 192400, . . . . . 492167 196400, 197400, 250400, 256400, 257400)                         |  |
| Candela al platino a lunga durata . . . . . 992041 (5062) (modelli 192400, 196400, 197400, 250400, 256400, 257400) |  |
| Tester di scintilla .....  | 19368                                    |
| Chiave per candele .....   | 89838 (5023)                             |
| Parascintille .....  | 399541 o 392390                          |

## Rimessaggio

I motori che non si ritiene di utilizzare per più di 30 giorni devono essere protetti e svuotati del carburante onde prevenire la formazione di depositi gommosi nel sistema di alimentazione o in parti vitali del carburatore.

Per proteggere il motore si raccomanda di utilizzare l'additivo per carburante Briggs & Stratton, acquistabile presso tutti i centri di assistenza autorizzati Briggs & Stratton. Miscelare l'additivo al carburante nel serbatoio o nel recipiente del carburante. Far girare il motore per un po' per far circolare l'additivo nel carburatore. Il motore ed il carburante possono essere conservati fino a 24 mesi.

Nota: Se non si utilizzano additivi oppure il motore utilizza benzina contenente alcol, svuotare il serbatoio del carburante, facendo funzionare il motore finché non finisce il carburante.

1. Cambiare l'olio. Vedere **Cambio dell'olio** (vedere fig.  .
2. Togliere la candela e versare circa 30 ml di olio per motori nel cilindro. Rimettere la candela e ruotare lentamente il motore per distribuire l'olio.
3. Rimuovere paglia e detriti dal cilindro, dalle alette della testata del cilindro, sotto il proteggidita e dietro il silenziatore.
4. Conservare in luogo pulito ed asciutto, LONTANO da ogni possibile fonte di calore come, ad esempio, stufe, camere di combustione o scaldacqua con fiammella pilota o dispositivi che producono scintille.

## Assistenza

Rivolgersi ad un Concessionario autorizzato Briggs & Stratton. Tutti i Concessionari Autorizzati Briggs & Stratton sono dotati di pezzi di ricambio originali e comuni attrezzi necessari per la riparazione dei motori. Meccanici ben addestrati assicurano un qualificato servizio di riparazione per ogni motore Briggs & Stratton. Solamente i centri di assistenza "autorizzati Briggs & Stratton" soddisfano gli standard qualitativi della Briggs & Stratton.

Acquistando un'attrezzatura dotata di motore Briggs & Stratton potete contare su un servizio di assistenza affidabile garantito dagli oltre 30.000 Centri di Assistenza Autorizzati in tutto il mondo, con più di 5.000 tecnici specializzati. Cercate questi simboli che contraddistinguono il servizio di assistenza Briggs & Stratton.



Potete trovare l'indirizzo del Concessionario autorizzato Briggs & Stratton più vicino nella mappa del nostro sito web [www.briggsandstratton.com](http://www.briggsandstratton.com) oppure nelle "Pagine Gialle™" alla voce "Macchine per giardino", "Motori a scoppio" o "Tosaerba".



Nota: Il marchio con le dita in cammino e "Pagine Gialle™" sono marchi registrati in vari paesi.

Il manuale di assistenza illustrato comprende "Teoria del funzionamento", specifiche comuni ed informazioni dettagliate sulla regolazione, la fasatura e la riparazione dei motori Briggs & Stratton valvole laterali, monocilindrici a 4 tempi. Il manuale è disponibile presso qualsiasi Centro di Assistenza Autorizzato Briggs & Stratton, P/N 271889.

Richiedere sempre ricambi originali Briggs & Stratton con il nostro logo sulla scatola e/o sul particolare. L'uso di pezzi non originali può causare un funzionamento imperfetto e invalidare la garanzia.

# POLIZZA DI GARANZIA RELATIVA AI MOTORI BRIGGS & STRATTON

Validità dal 1 gennaio 2003, sostituisce tutte le precedenti Garanzie non datate e tutte le Garanzie con data antecedente al 1 gennaio 2003

## GARANZIA LIMITATA

La Briggs & Stratton Corporation riparerà o sostituirà gratuitamente la parte o le parti del motore che dimostrino la presenza di difetti nel materiale o per lavorazione, o entrambi. Tutte le spese di trasporto delle parti destinate alla riparazione o sostituzione coperte dalla presente garanzia sono a carico dell'acquirente. La presente garanzia risulta valida per il periodo di tempo indicato nella presente polizza ed è soggetta alle condizioni indicate di seguito. Per il servizio in garanzia, rivolgetevi al Centro di Assistenza Briggs & Stratton più vicino, che potete trovare con il nostro Dealer Locator all'indirizzo [www.briggsandstratton.com](http://www.briggsandstratton.com), o chiamando il numero 1-800-233-3723, oppure sulle "Pagine Gialle™".

NON ESISTE ALCUNA ALTRA GARANZIA ESPLICITA SUL PRODOTTO. LE GARANZIE IMPLICITE, COMPRENDENTI QUELLE RIGUARDANTI LA COMMERCIALITÀ E L'IDONEITÀ PER UNO SCOPO SPECIFICO, SONO LIMITATE AD UN ANNO DALL'ACQUISTO OPPURE AL PERIODO CONSENTITO DALLA LEGGE. SONO COMUNQUE ESCLUSI TUTTI GLI ALTRI TIPI DI GARANZIE IMPLICITE. LA RESPONSABILITÀ PER DANNI ACCIDENTALI O CONSEGUENZIALI È ESCLUSA NELLA MISURA PREVISTA PER LEGGE. Alcuni Paesi non prevedono limiti alla durata della garanzia implicita e/o non permettono l'esclusione o la restrizione dei danni accidentali o consequenziali, per cui le restrizioni e le esclusioni sopra citate possono non essere applicabili al vostro caso. La presente garanzia vi concede determinati diritti legali a cui potrete fare riferimento assieme a quelli, eventuali, del Vostro Paese.

## NOSTRO PRODOTTO

|                  |   |  |                 |              |
|------------------|---|--|-----------------|--------------|
| <b>VANGUARD™</b> | <b>ELS™<br/>I/C®<br/>Industrial Plus™<br/>Intek™<br/>(Camicia in ghisa)</b> | <b>Force™<br/>Intek™<br/>(Camicia in alluminio)<br/>Power Built™<br/>Valvole in testa<br/>QUANTUM®<br/>Quattro™<br/>Q45™<br/>Sprint™</b> | <b>Classic™</b> | <b>Etek™</b> |
|------------------|---|--|-----------------|--------------|

## PERIODO DI GARANZIA\*

|                 |        |        |           |           |        |
|-----------------|--------|--------|-----------|-----------|--------|
| Uso privato     | 2 anni | 2 anni | 2 anni    | 1 anno    | 1 anno |
| Uso commerciale |        | 1 anno | 90 giorni | 90 giorni |        |

\* Si applicano i seguenti periodi di garanzia speciali: 2 anni per i motori Classic™ nei Paesi dell'Unione Europea oppure dell'Europa Orientale, per tutti i prodotti per uso privato nell'Unione Europea e per i sistemi di controllo delle emissioni sui motori certificati da EPA e CARB. 5 anni per uso privato, 90 giorni per uso commerciale del motorino di avviamento Touch-N-Mow® sui motori Quantum® e Intek™. I motori utilizzati per corse sportive o su veicoli commerciali o per noleggio non sono coperti dalla garanzia.

Il periodo di garanzia inizia alla data di acquisto del primo consumatore o utente commerciale e si conclude come indicato nella tabella. Per "uso privato" si intende l'utilizzo effettuato da un acquirente al dettaglio presso la propria residenza. Per "uso commerciale" si intendono tutti gli altri tipi di utilizzo, compreso quello commerciale, l'uso per conto terzi e il noleggio. Dopo che un motore è stato utilizzato ad uso commerciale, sarà sempre classificato come motore per uso commerciale ai fini di questa polizza di garanzia.

**NON È NECESSARIO COMPILARE ALCUNA CEDOLA PER OTTENERE LA GARANZIA SUI PRODOTTI BRIGGS & STRATTON. CONSERVARE LA RICEVUTA DI ACQUISTO. SE LA RICEVUTA DI ACQUISTO NON VIENE PRESENTATA ALLA RICHIESTA DI UNA RIPARAZIONE IN GARANZIA, PER DETERMINARE IL PERIODO DI VALIDITÀ DELLA GARANZIA VERRÀ UTILIZZATA LA DATA DI PRODUZIONE DEL PRODOTTO.**

## NOTE SULLA GARANZIA DEL VOSTRO MOTORE

La Briggs & Stratton è lieta di effettuare gli interventi in garanzia e si scusa per gli eventuali inconvenienti. Le riparazioni in garanzia possono essere eseguite presso tutti i Centri di Assistenza Autorizzati. La maggior parte delle richieste di garanzia viene di norma gestito celermente come semplice procedura di routine; tuttavia, alcune richieste di garanzia non appaiono giustificate. Ad esempio, la garanzia non verrà applicata nel caso in cui il danno al motore si sia verificato a causa di un cattivo uso o di trascuratezza oppure dell'esecuzione non corretta delle operazioni di manutenzione, funzionamento, spedizione, imballaggio o installazione. Similmente, la garanzia non verrà applicata nel caso in cui sia stato rimosso il numero di serie del motore o il motore sia stato alterato o modificato.

Se non viene trovato un accordo con il Centro di Assistenza interpellato, verrà svolta una ricerca allo scopo di determinare l'effettiva applicabilità della garanzia. Richiedere al Centro di Assistenza di sottoporre tutti i fatti giustificativi all'attenzione del proprio Distributore o al Produttore per un esame più approfondito. Se il Distributore o il Produttore decidono che la richiesta è giustificata, il costo per i pezzi ritenuti difettosi viene completamente rimborsato. Per evitare fraintendimenti che possano verificarsi tra i proprietari ed i Concessionari, elenchiamo di seguito alcune delle cause di guasto la cui riparazione o sostituzione non è coperta dalla garanzia Briggs & Stratton.

### Normale usura:

Come tutti i dispositivi meccanici, per il corretto funzionamento i motori necessitano della sostituzione periodica di alcuni particolari. La garanzia non copre le riparazioni di particolari o motori che hanno esaurito la propria vita utile.

### Manutenzione non accurata:

La durata di servizio di qualsiasi motore dipende dalla cura prestatagli e dalle condizioni in cui si trova ad operare. Alcune applicazioni, quali motozappe, pompe, falciatrici rotative, vengono molto spesso usate in

condizioni polverose o sporche causando un'usura prematura. Tale usura, nel caso in cui venga causata dalla sporcizia, dalla polvere, da residui di graniglia provenienti dalla pulizia della candela o da altro materiale abrasivo penetrato all'interno del motore a causa di una manutenzione non accurata, non è coperta dalla garanzia.

**La presente garanzia copre esclusivamente i difetti del motore dovuti a difetti di materiale e/o lavorazione e non la sostituzione o il rimborso dell'attrezzatura sulla quale il motore può essere installato. La garanzia non è estesa alle riparazioni dovute a:**

1. PROBLEMI CAUSATI DALL'USO DI PEZZI NON ORIGINALI BRIGGS & STRATTON.
2. Comandi dell'attrezzatura o installazioni che impediscono la messa in moto, provocano un insoddisfatto rendimento motore o ne riducono la durata. (Rivolgersi al produttore dell'attrezzatura).
3. Perdite dal carburatore, tubi del carburante occlusi, valvole bloccate o altri danni causati dall'uso di carburante impuro o vecchio. (Utilizzare benzina senza piombo pulita, fresca e l'additivo per carburante Briggs & Stratton, P/N 5041).
4. Parti intaccate o rotte in seguito al funzionamento del motore con lubrificante insufficiente, impuro o di gradazione inadeguata (controllare il livello dell'olio ogni giorno oppure ogni 8 ore di funzionamento. Rabboccare se necessario e cambiare l'olio agli intervalli consigliati). OIL GARD® potrebbe non spegnere il motore in caso di livello dell'olio errato con conseguenti danni al motore. Leggere le Istruzioni per l'Uso e la Manutenzione.
5. Riparazioni o regolazioni di parti combinate o di gruppi, quali frizioni, trasmissioni, comandi a distanza, ecc., non prodotti dalla Briggs & Stratton.
6. Danni o usura di parti del motore causati da sporcizia penetrata all'interno del motore a causa di manutenzione e rimontaggio non

corretti del filtro dell'aria nonché utilizzo di elemento o cartuccia del filtro dell'aria non originali. (Agli intervalli consigliati, pulire e lubrificare l'elemento in Oil-Foam® oppure il pre-filtro in spugna e sostituire la cartuccia). Consultare il Manuale di Uso e Manutenzione.

7. Parti danneggiate da fuorigiuri o surriscaldamento del motore in seguito ad intasamento delle alette di raffreddamento o dell'area del volano con erba, detriti o sporcizia nonché da uso del motore in aree chiuse con ventilazione insufficiente. (Pulire le alette dei cilindri, le testate ed il volano agli intervalli consigliati). Consultare il Manuale di Uso e Manutenzione.
8. Parti del motore o dell'attrezzatura rotte a causa di vibrazioni eccessive causate da un cattivo fissaggio del motore alla macchina, lame di taglio non bloccate, lame o giranti sbilanciati o allentati, accoppiamento inadeguato della macchina all'albero motore, fuorigiuri o cattivo uso del motore stesso.
9. Albero a gomiti piegato o rotto, probabile conseguenza dell'urto contro un oggetto solido da parte della lama di taglio di una falciatrice rotativa oppure a causa di un'eccessiva tensione della cinghia trapezoidale.
10. Messa a punto periodica o regolazione del motore.
11. Guasti al motore o alle relative componenti, cioè camera di combustione, valvole, sedi delle valvole, guide delle valvole oppure bruciatori degli avvolgimenti del motorino d'avviamento, che si verificano facendo funzionare il motore con combustibili alternativi, quali GPL, metano, benzine alterate, ecc.

**La garanzia è disponibile solo attraverso i Centri di Assistenza Autorizzati Briggs & Stratton Corporation. Potete trovare il Centro di Assistenza Autorizzato più vicino sulle "Pagine Gialle™" alle voci "Motori a scoppio", "Falciatrici" o simili.**

|   |           |           |           |           |           |           |           |           |           |              |
|---|-----------|-----------|-----------|-----------|-----------|-----------|-----------|-----------|-----------|--------------|
| I motori Briggs & Stratton sono prodotti utilizzando uno o più dei seguenti Brevetti: Design D-247.177 (Altri brevetti in fase di omologazione) |           |           |           |           |           |           |           |           |           |              |
| 6,325,036   | 6,077,063 | 5,819,513 | 5,606,948 | 5,497,679 | 5,235,943 | 5,138,996 | 4,996,956 | 4,633,556 | 4,430,984 | DES. 308,871 |
| 6,284,123   | 6,064,027 | 5,813,384 | 5,606,851 | 5,320,795 | 5,197,425 | 5,086,890 | 4,977,879 | 4,630,498 |           | DES. 308,872 |
| 6,260,529   | 6,014,808 | 5,765,713 | 5,548,955 | 5,271,363 | 5,197,422 | 5,070,829 | 4,971,219 | 4,522,080 |           | DES. 309,457 |
| 6,230,678   | 5,894,715 | 5,645,025 | 5,546,901 | 5,269,713 | 5,191,864 | 5,058,544 | 4,895,119 | 4,520,288 |           | DES. 356,951 |
| 6,202,616   | 5,852,951 | 5,642,701 | 5,503,125 | 5,265,700 | 5,188,069 | 5,040,644 | 4,819,593 | 4,512,499 |           | DES. 361,771 |
| 6,116,212   | 5,823,153 | 5,619,845 | 5,501,203 | 5,243,878 | 5,186,142 | 5,009,208 | 4,719,682 | 4,453,507 |           | DES. 375,963 |

## Hvordan figurene i håndboken skal brukes

1 - 9 henviser til figurene i håndboken.

1 - 19 henviser til motorkomponentene i figuren 1.

1 - 9 henviser til deler/aksjon i figurene. Noter motorens modell-, type- og kodenumre her.

Noter kjøpedatoen her.

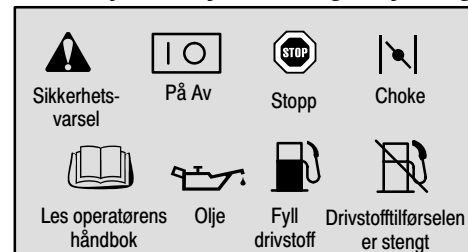
## Motorkomponenter (se fig. 1)

- |   |                                      |               |             |
|---|--------------------------------------|---------------|-------------|
| ① | Snorhåndtak                          |               |             |
| ② | Gasskontroll                         |               |             |
| ③ | <b>Motor</b>                         | <b>Modell</b> | <b>Type</b> |
|   |                                      | xxxxxx        | xxxx xx     |
|   |                                      |               | xxxxxxxx    |
| ④ | Luftfilter                           |               |             |
| ⑤ | Choke                                |               |             |
| ⑥ | Drivstoffpåfylling                   |               |             |
| ⑦ | Stoppbryter/Oil Gard®, hvis monteret |               |             |
| ⑧ | Viftehus                             |               |             |
| ⑨ | Tennpluggkabel                       |               |             |
| ⑩ | Oljepåfylling/peilestav              |               |             |
| ⑪ | Eksospotte                           |               |             |
| ⑫ | Gnistfanger, hvis monteret           |               |             |
| ⑬ | Drensplugg                           |               |             |
| ⑭ | Oljepåfyllingsplugg                  |               |             |
| ⑮ | 12V elektrisk starter, hvis monteret |               |             |
| ⑯ | Bensinkran, hvis monteret.           |               |             |

## Faresymboler og betydning



## Internasjonale symboler og betydning



## Sikkerhetstiltak



### FØR MOTOREN BRUKES

- Les hele anvisningen for bruk og vedlikehold OG anvisningen for maskinen som drives av denne motoren.\*
- Hvis ikke anvisningene følges, kan det resultere i at noen blir alvorlig skadet eller drept.

### ANVISNINGENE FOR BRUK OG VEDLIKEHOLD INNEHOLDER OGSÅ INFORMASJON OM SIKKERHET SOM

- Gjør deg oppmerksom på farer forbundet med motorer
- Informerer deg om risikoen for skade i forbindelse med disse farenemomentene, og
- Forteller deg hvordan du kan unngå eller redusere risikoen for å bli skadet.

\* Briggs & Stratton har nødvendigvis ikke kjennskap til hva slags maskin denne motoren vil drive. Du bør derfor lese nøye gjennom bruksanvisningen for maskinen som motoren er monteret i slik at du forstår den.



Sikkerhetsvarselssymboler brukes til å identifisere informasjon om farlige situasjoner som kan føre til personskader.

Et signalord (FARLIG, ADVARSEL eller FORSIKTIG) er brukt sammen med varselssymboler for å vise hvor alvorlig den potensielle skaden kan være. I tillegg kan det være gitt et faresymbol som viser til hva slags faresituasjon det gjelder.



**FARLIG** viser til en faresituasjon som vil føre til at noen blir drept eller alvorlig skadet hvis den ikke unngås.



**FORSIKTIG** viser til en faresituasjon som kan føre til mindre eller moderate skader hvis den ikke unngås.



**ADVARSEL** viser til en faresituasjon som kan føre til at noen blir drept eller alvorlig skadet hvis den ikke unngås.

**FORSIKTIG**, brukt uten varselssymboler, viser til en situasjon som kan føre til at motoren blir skadet.



### ADVARSEL



Avgasser fra denne motoren inneholder kjemikalier som ifølge staten California er kreftfremkallende og forårsaker fosterskader eller andre skader på forplantningssystemet.



ADVARSEL



Bensin og bensingass er meget brannfarlig og eksplosiv.

En brann eller eksplosjon kan føre til alvorlige brannskader eller dødsfall.

#### PÅFYLING AV DRIVSTOFF

- Slå motoren AV og la den kjøle i minst 2 minutter før lokket tas av bensintanken.
- Bensintanken må fylles utendørs eller på et sted med god ventilasjon.
- Tanken må ikke være for full. Fyll tanken opptil ca. 3,8 cm nedenfor toppen av påfyllingshalsen slik at drivstoffet har plass til å utvide seg.
- Bensin må holdes unna gnister, åpne flammer, sparebluss, varme og liknende som kan antenne den.
- Drivstoffslangene, tanken, lokket og festene må sjekkes ofte for å se om de har sprekker eller lekkasjer. Skift ut der det er nødvendig.

#### START AV MOTOREN

- Pass på at tennpluggen, eksosspotten, bensinlokket og luftfilteret sitter på plass.
- Motoren må ikke dreies rundt hvis tennpluggen er tatt ut.
- Hvis det er blitt sølt drivstoff må du vente til det har fordampet før motoren startes.
- Hvis motoren har druknet skal du sette choken i stillingen "OPEN/RUN" (åpen/kjør), gassen på "FAST" (hurtig) og dreie motoren rundt til den starter.

#### BRUK AV MASKINEN

- Motoren eller maskinen må ikke helles i en så skarp vinkel at bensin kan renne ut.
- Motoren må ikke stoppes ved at forgasseren kveles.

#### TRANSPORT AV MASKINEN

- Må transporteres med TOM bensintank eller STENGT bensinkran.

#### LAGRING/OPPBEVARING AV BENSIN ELLER MASKINER MED BENSIN PÅ TANKEN

- Må ikke lagres/oppbevares i nærheten av fyringsanlegg, ovner, varmtvannsbereidere eller annet utstyr med sparebluss eller lignende varmekilder, fordi de kan antenne bensingass.



ADVARSEL



Det vil dannes gnister når motoren startes.

Gnister kan antenne brennbar gass som befinner seg i nærheten.

Dette kan føre til at det oppstår en eksplosjon eller brann.

- Motoren må ikke startes hvis det er en lekkasje av naturgass eller flytende bensin i nærheten.
- Ikke bruk "startgass" fordi gassen er brannfarlig.



ADVARSEL



Motorer produserer kulloksyd som er en luktfri, fargeløs giftgass.

Innånding av kulloksyd kan føre til kvalme, besvimelse eller dødsfall.

- Motoren må startes og kjøres utendørs.
- Motoren må ikke startes og kjøres på et innelukket område, selv om dører eller vinduer står åpne.



ADVARSEL



En tilfeldig gnist kan forårsake brann eller elektrisk støt.

Tilfeldig start kan resultere i at du blir sittende fast i maskineriet, traumatisk amputasjon av lemmedel eller sårskader.

#### FØR JUSTERINGER ELLER REPARASJONER UTFØRES

- Ta av tennpluggkabelen og hold den borte fra tennpluggen.
- Koble fra den negative batteripolen (gjelder kun motorer med elektrisk start).

#### TESTING AV GNIST

- Bruk en godkjent tennpluggtester.
- Du må ikke undersøke om det er gnist hvis tennpluggen er tatt ut.



ADVARSEL



Motorer som er i gang produserer varme. Motordeler, spesielt eksosspotten, blir meget varm.

Berøring av slike deler kan forårsake alvorlige brannskader.

Brennbar materiale, slik som løv, gress, småkratt etc., kan antennes.

- Vent til eksosspotten, motorsylinderen og ribbene blir kalde før du tar på dem.
- Fjern brennbar materiale som har samlet seg i området rundt eksosspotten og sylinderen.
- Monter en gnistfanger og pass på at den er i god stand før maskinen brukes på skogbunner eller udyrket land med gress eller småkratt. Dette er påkrevd i California (Section 4442 of the California Public Resources Code). Andre steder kan ha liknende lover. Offentlige lover gjelder på offentlig land.



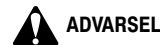
ADVARSEL



Hender, føtter, hår, klesplagg eller smykker kan komme i kontakt med roterende deler eller sette seg fast i dem.

Dette kan føre til traumatisk amputasjon av lemmedel eller store sårskader.

- Dekslene må alltid sitte på plass når maskinen er i bruk.
- Hold hender og føtter borte fra roterende deler.
- Sett opp langt hår og ta av smykker.
- Du må ikke ha på deg løstsittende klær, snører som henger løst eller noe annet som kan sette seg fast i maskinen.



ADVARSEL



Hurtig tilbakespoling av startsnoren (tilbakeslag) vil trekke hånden og armen raskere mot motoren enn du klarer å slippe taket.

Dette kan resultere i beinbrudd, blåmerker eller forstuving.



- Start motoren ved å trekke sakte i snoren helt du kjenner at det er motstand, og trekk så kraftig i den.
- Ta av alt påmontert utstyr/motorbelastning før motoren startes.
- Maskinkomponenter som er montert direkte, slik som, men ikke begrenset til, kniver, vitehjul, remskiver, kjedehjul etc., må sitte godt fast.

## Anbefalt olje (se fig. [2])

Motoren leveres av Briggs & Stratton uten olje. Fyll på olje før motoren startes. Det må ikke fylles for mye.

Bruk en rensende olje av god kvalitet som er klassifisert "For Service SF, SG, SH, SJ" eller høyere, slik som Briggs & Stratton 30W, bestillingsnummer 100005 (20 oz.) eller 100028 (48 oz.). Det må ikke brukes spesielle tilsetningsmidler med de anbefalte oljene. Olje og bensin må ikke blandes.

Velg en olje i denne tabellen med SAE viskositet som passer til den antatte starttemperaturen før neste oljeskift.



**Obs:** Syntetisk olje som tilfredsstiller ILSAC GF-2, API sertifisering og API service-symbolet (vist til venstre) med "SJ/CF ENERGY CONSERVING" (energisparende) eller høyere, er en akseptabel olje i alle temperaturer. **Bruk av syntetisk olje forandrer ikke intervallene som er gitt for oljeskift.**

\* Luftkjølte motorer blir varmere enn bilmotorer. Bruk av ikke-syntetiske multiviskositetstoljer (5W-30, 10W-30, etc.) i temperaturer over 4° C (40° F) vil føre til at oljeforbruket blir høyere enn normalt. Oljenivået må sjekkes oftere ved bruk av multiviskositetstoljer.

\*\* Bruk av SAE 30 oljer i temperaturer under 4° C, vil føre til at motoren blir vanskelig å starte og at sylindere kan skades på grunn av mangelfull smøring.

**Sjekk oljenivået** Modellserien har en oljekapasitet på ca. 1,3 liter for modell 170000 og 190000.

1,4 liter for modell 250000.

Pass på at motoren står rett og rengjør rundt oljepåfyllingshullet ①.

Ta ut peilestaven ②, tørk av den med ei rein fille, sett den tilbake på plass og skru den inn igjen. Ta ut staven og sjekk oljenivået. Oljen skal nå opp til "FULL" merket. Fyll sakte med olje hvis nivået er lavt. Pass på å ikke fylle på for mye.

ELLER

Ta ut oljepåfyllingspluggen ③. Oljen skal nå helt opp til randen ④.

Skru peilestaven eller oljepåfyllingspluggen godt fast før motoren startes.

## Anbefalt drivstoff

Bruk ren, fersk blyfri bensin med minst 77 oktan. Blybensin kan benyttes hvis blyfri bensin ikke er tilgjengelig. Kjøp ikke mer bensin enn til 30 dagers forbruk. Se under **Lagring/oppbevaring**.

Bensin som inneholder metanol må ikke brukes. Det må ikke blandes olje i bensinen.

For å beskytte motoren anbefaler vi bruk av Briggs & Stratton drivstoffstabilisatoren som føres av autoriserte Briggs & Stratton forhandlerverksteder.

### Sjekk drivstoffnivået



La motoren kjøle i 2 minutter før det fylles drivstoff på tanken.

Tørk rundt påfyllingshalsen før du tar av lokket for å fylle drivstoff. Tanken skal fylles opptil ca. 3,8 cm nedenfor toppen av halsen slik at drivstoffet har plass til å utvide seg. Pass på at tanken ikke blir for full.

## Start (se fig. [3] [4])



HOLD ALLTID HENDER OG FØTTER UNNA MASKINDELER SOM BEVEGER SEG.



Ikke bruk "startgass". Gassen er brannfarlig.

Maskinen skal stå rett når den startes og fylles med drivstoff og når den lagres/oppbevares.

Sjekk oljenivået.

Åpne bensinkranen, hvis det er montert en slik.

**FORSIKTIG: OIL GARD®**, hvis montert, (se [7] fig. [1])

skal forhindre at motoren kan startes når oljenivået er lavt. Det kan imidlertid hende at **OIL GARD®** ikke stanser motoren hvis den er i gang. Motoren kan skades hvis ikke oljen blir holdt på et riktig nivå, og garantien vil da være ugyldig. Du må alltid sjekke oljenivået før motoren startes. Når motoren er utstyrt med **OIL GARD®**, og den begynner å gå tom for olje, vil lampen på motoren varsle om at oljenivået er lavt. Hvis lyset i lampen begynner å flimre og motoren ikke lar seg starte, må det fylles olje opp til "FULL" merket på peilestaven eller helt opp til randen på oljepåfyllingslokket. Ikke fyll på for mye olje.

### Før start (se fig. [3])

1. Sett choken ① i stillingen "CHOKE".
2. Hvis det er montert en gasskontroll ② skal den flytte til "FAST" (hurtig).
3. Hvis det er montert en bensinkran ③, skal den dreies til "ON" (på).
4. Hvis det er montert en stoppkontroll ④, skal den flyttes til "ON" (på).

Obs: Hvis motoren er utstyrt med OIL GARD®, og den begynner å gå tom for olje, ④ vil lampen i stoppbryteren flimre som tegn på at oljenivået er lavt., eller motoren vil stanse og ikke la seg starte igjen. Fyll olje opp til "FULL" merket på peilestaven (ikke fyll på for mye) eller helt opp til randen på oljepåfyllingspluggen.

### Tilbakespolingsstarter (se fig. [4])



Grip snorhåndtaket og trekk sakte i det helt til du kjenner at det er motstand. Trekk deretter kraftig i snoren for å overkomme kompresjon, unngå

tilbakeslag og starte motoren. Gjenta om nødvendig med choken på "RUN" (kjør) og gassen på "FAST" (hurtig), og la motoren gå med gassen på "FAST" når den starter.

### Elektrisk starter (se fig. [4])

Hvis motoren har et 12 volt startsystem, vri nøkkelen til "START" ① eller trykk inn startknappen ②. Gjenta om nødvendig med choken på "RUN" (kjør) og gassen på "FAST" (hurtig), og la motoren gå med gassen på "FAST" når den starter.

Obs: Hvis maskinprodusenten har inkludert et batteri, må det lades opp i samsvar med maskinprodusentens instruksjoner før du forsøker å starte motoren.

Obs: Bruk korte startsykluser (15 sek./min) for å forlenge starterens levetid. Langvarig omdreining kan skade startermotoren.

### Stopp (se fig. [5])

Motoren må ikke stoppes ved å flytte choken til "CHOKE". Dette kan forårsake tilbakeslag eller motorskade. Flytt gasskontrollen til "IDLE" (tomgang) eller "SLOW" (sakte) ①, hvis montert. Drei deretter nøkkelen til "OFF" (av) eller flytt stoppkontrollen til "OFF" (av) ②. Steng drivstoffkranen ③.

Obs: Ta alltid nøkkelen ut av bryteren når du forlater maskinen uten tilsyn eller når den ikke er i bruk.

Obs: Steng bensinkranen når motoren skal transporteres, for å unngå bensinlekkasje.

## Justeringer (se fig. [6])



For å unngå at motoren starter ved et uhell må tennpluggkabelen ① tas av og jordes før servicearbeidet begynner, og den negative kabelen må tas av batteriet, hvis montert.

### Justering av gasskontrollen (se fig. [6])

#### Manuell friksjonskontroll

Vingemutteren ② på kontrollplaten ③ løsnes eller strammes helt til gasskontrollen beveger seg med litt motstand, samtidig som den holder seg i den ønsket stillingen når motoren er i gang.

#### Fjernkontrollen

Løsne klemmeskruen i kappen ④. Flytt kappen og ledningen ⑤ så langt som mulig i pilens retning. Flytt gasskontrollen i stillingen "FAST" (hurtig). Trekk til klemmeskruen i kappen.

#### Fast innstilt regulator

Skruen som justerer topphastigheten ⑥ ble innstilt på fabrikk i henhold til kravene fra maskinprodusenten. DENNE SKRUEN MÅ IKKE JUSTERES. Hvis det imidlertid skulle bli nødvendig å justere topphastigheten, kan du ta kontakt med et autorisert Briggs & Stratton forhandlerverksted.

### Justering av forgasseren



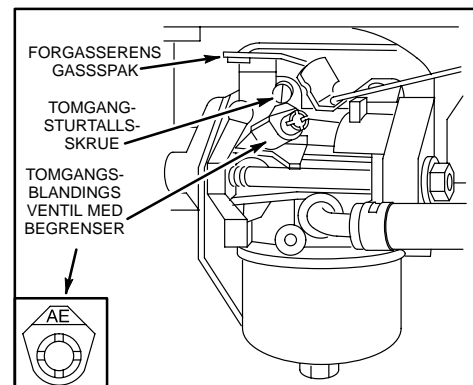
Produsenten av maskinen som denne motoren er montert i, har gitt en topphastighet som motoren skal gå med. IKKE OVERGÅ denne hastigheten.

Ta kontakt med et autorisert Briggs & Stratton forhandlerverksted for å få forgasseren justert.

Start motoren og la den varme seg opp i ca. 5 minutter før den justeres. La motoren gå og sett gasskontrollen på "SLOW" (sakte). Roter forgasserens gasspak mot tomgangsturtalls-skruen og hold den der mens du justerer skruen slik at turtallet blir 1750.

Drei tomgangsblendingsventilen først så langt det går an med urviseren og deretter mot urviseren. Ventilen plasseres til slutt midtveis mellom disse to ytterpunktene. Sjekk tomgangsturtallet og juster slik at det blir 1750, hvis det er nødvendig.

Sett gasskontrollen på "FAST" (hurtig). Motoren skal ha jevn akselerasjon. Hvis ikke, skal du justere tomgangsblendingsventilen 1/8 omdreining mot urviseren.



## Vedlikehold (se fig. 7 8 9)

Se **Vedlikeholdsplanen**. Følg intervallene som er gitt enten i timer eller etter kalenderen, avhengig av hva som inntreffer først. Det er nødvendig å gjøre vedlikeholdsarbeid oftere hvis maskinen brukes under vanskelige forhold.



For å unngå at motoren starter ved et uhell må tennpluggkabelen ❶ tas av og jordes før servicearbeidet begynner, og

den negative kabelen må tas av batteriet, hvis montert.

### Oljeservice (se fig. 7)

Oljenivået må sjekkes regelmessig.

Pass på at oljenivået blir opprettholdt. Det må sjekkes etter 5 timers drift eller hver dag før motoren startes. Se hvordan man fyller olje under **“Anbefalt olje”**.

#### Skift oljen

Skift oljen etter de 5 første driftstimerne. Skift olje mens motoren er varm. Fyll på ny olje med anbefalt SAE viskositet (se fig. 2).

#### Reduksjonsgir, hvis montert

Ta ut oljepåfyllingspluggen ❷ og oljenivåpluggen ❸. Tøm oljen etter 100 timers drift eller hver sesong. Fyll med ny olje ved å helle SAE 30 olje i oljepåfyllingshullet helt til den renner ut av nivåkontrollhullet. Sett begge pluggene tilbake på plass. Oljepåfyllingspluggen har et luftehull ❹ og må settes på toppen av girkasdekslet.

### Service av luftfilteret (se fig. 8)

Skift ut forfilteret ❷ og/eller kassetten ❸ hvis de er veldig skitne eller skadet.

1. Løsne skruene. Ta deretter dekslet med luftfilteret av underdelen.
2. Ta luftfilteret ut av dekslet og ta det fra hverandre. Vask forfilteret i et flytende vaskemiddel oppløst i vann. Klem det tørt i en rein klut. Gjennombløt med motorolje. Klem det deretter i en rein klut for å fjerne ALL OVERFLØDIG olje.

Rens kassetten ved å banke den forsiktig mot et flatt underlag. Ikke bruk løsningsmidler som inneholder petroleum, slik som f.eks. parafin, eller trykkluft til rengjøring av kassetten da dette kan skade den. Kassetten skal ikke oljes.

3. Installer holderen ❹, forfilteret (forfilterets filterside skal vende mot foldene i kassetten) og kassetten i dekslet.
4. Stikk de små tappene på dekslet ❺ inn i slissene ❻ i underdelen. Trekk skruene i dekslet godt til.

### Service av tennpluggen (se fig. 8)



IKKE undersøk om det er gnist hvis tennpluggen er tatt ut. Bruk kun en Briggs & Stratton gnisttester ❸, for å teste om det er gnist.

IKKE dreii motoren rundt hvis tennpluggen er tatt ut. Hvis motoren har druknet, sett gassen på “FAST” (hurtig) og dreii motoren rundt til den starter.

Elektrodeavstanden ❶ skal være 0,76 mm eller 0,030 in. Tennpluggen må skiftes/rensas etter 100 timers drift eller hver sesong, avhengig av hva som inntreffer først. Gnisttesteren og tennpluggnøkkelen føres av alle autoriserte Briggs & Stratton forhandlerverksteder.

Obs: Motorene i modellserie 19E400, 19F400, 19G400 bruker kun tennpluggen med bestillingsnr. 496018. Motorene i modellserie 192400, 196400, 197400, 250400, 256400 og 257400 bruker en standard tennplugg med bestillingsnr. 492167 eller en resistortennplugg med bestillingsnr. 802592 etter behov. Obs: Enkelte steder må man i henhold til lokale forskrifter bruke en tennplugg av resistortypen for radiodemping. Hvis denne motoren opprinnelig hadde en resistortennplugg, må man benytte samme type tennplugg ved utskifting.

### Hold motoren ren (se fig. 9)

Gressrester og rusk må fjernes regelmessig fra motoren. Motoren må ikke spyles med vann da vann kan forurense drivstoffet. Bruk en børste eller trykkluft til rengjøringsarbeidet.



Et tykt lag med rusk rundt eksospotten ❷ kan føre til brann. Undersøk og rengjør hver gang maskinen skal brukes.

Hvis eksospotten er utstyrt med en gnistfangerskjerm ❸, skal den tas av for rengjøring og inspeksjon etter 50 timers drift eller hver sesong. Den må skiftes ut hvis den er skadet.

Sørg for at motoren fungerer som den skal ved å holde regulatorens forbindelsesledd ❹, fjærer og kontrollere rene.



Skift filteret i bensinslangen ❺. Tøm bensintanken eller steng bensinkranen før filteret skiftes ut.

Rengjør kjølesystemet. Gressrester eller rusk kan tette igjen motorens luftkjølesystem, spesielt etter langvarig bruk. Det kan være nødvendig å rense de innvendige kjøleribbene og flatene for å unngå at motoren overopphetes og skades som følge. Ta av viftehuset og rengjør som vist ❻.

## Vedlikeholdsplan

Følg intervallene som er gitt enten i timer eller etter kalenderen, avhengig av hva som inntreffer først. Det er nødvendig å gjøre vedlikeholdsarbeid oftere hvis maskinen blir brukt under vanskelige forhold slik som beskrevet nedenunder.

### De første 5 timene

- Skift olje

### Etter 5 timer eller daglig

- Sjekk oljenivået
- Rengjør rundt eksospotte, forbindelsesledd og fjær

### Etter 25 timer eller hver sesong

- Skift olje hvis motoren arbeider med stor belastning eller hvis det er høy temperatur ute.
- Rengjør luftfilterets forfilter\*

### Etter 50 timer eller hver sesong

- Skift olje
- Rengjør og undersøk gnistfangeren, hvis montert

### Etter 100 timer eller hver sesong

- Rengjør luftfilter- kassetten \*
  - Skift ut filteret i bensinslangen, hvis montert
  - Skift ut/rengjør tennpluggen
  - Skift oljen i reduksjonsgiret, hvis montert
  - Rengjør kjølesystemet\*
- \* Rengjør oftere i støvete omgivelser eller hvis det er mye partikler i luften.

### Forkortet liste over originale Briggs & Stratton deler

#### Briggs & Stratton (eller tilsvarende)

| Del  | Bestillingsnr.      |
|--|---------------------|
| Olje (20 oz.)  | 100005              |
| Olje (48 oz.)  | 100028              |
| Oljepumpesett (bruker et standard elektrisk bor  | 5056                |
| for å pumpe olje raskt ut av motoren)  |                     |
| Drivstoffstabilisator (engangspose med 1 oz., 30 ml)                                   | 992030              |
| Drivstoffstabilisator (flaske med 4.2 oz., 125 ml)                                     | 999005E (5041)      |
| Drivstofffilter (uten drivstoffpumpe)  | 298090 (5018)       |
| Drivstofffilter (med drivstoffpumpe)   | 394358 eller 493629 |
| Kassett for luftfilter   | 492889              |
| Forfilter for luftfilter   | 496077              |
| Resistortennplugg (modellene 19E400, 19F400, 19G400)                                   | 496018E             |
| Long life platina tennplugg (modellene 19E400, 19F400, 19G400)                         | 5066                |
| Resistor tennplugg (modellene 192400, 196400, 197400, 250400, 256400, 257400)          | 802592E             |
| Standard tennplugg (modellene 192400, 196400, 197400, 250400, 256400, 257400)          | 492167              |
| Long life platina tennplugg (modellene 192400, 196400, 197400, 250400, 256400, 257400) | 992041 (5062)       |
| Gnisttester  | 19368               |
| Tennpluggnøkkel  | 89838 (5023)        |
| Gnistfanger  | 399541 eller 392390 |



## Lagring/oppbevaring

Når motoren skal lagres/oppbevares i mer enn 30 dager, må den beskyttes eller tømmes for drivstoff for å forhindre at det dannes gummiavleiringer i drivstoffsystemet eller på viktige forgasserdelene.

For å beskytte motoren anbefaler vi bruk av Briggs & Stratton drivstoffstabilisatoren som føres av alle autoriserte Briggs & Stratton forhandlerverksteder. Stabilisatoren blandes med drivstoffet enten i tanken eller i en kanne. Kjør motoren en kort stund for å sirkulere stabilisatoren i forgasseren. Motoren og drivstoffet kan nå lagres i opp til 24 måneder.

Obs: Hvis stabilisatoren ikke blir brukt eller hvis motoren kjøres med alkoholholdig bensin, slik som f.eks. gasohol, må alt drivstoffet tømmes ut av tanken og motoren må kjøres til den går tom for drivstoff og stopper.

1. Skift olje. Se **oljeservice** (se fig. [2] [7]).
2. Ta ut tennpluggen og fyll ca. 30 ml med motorolje i sylindere. Sett tennpluggen tilbake på plass og dreii motoren sakte rundt for å fordele oljen.
3. Fjern gress og rusk fra sylindere og topplokk-riibene, under fingerskyddet og bak eksos-potten.
4. Maskinen må lagres/oppbevares på et rent og tørt sted men IKKE i nærheten av en ovn, et fyringsanlegg eller en varmtvannsbereder som har et tennbluss, eller noe annet som kan danne gnister.

## Service

Ta kontakt med et autorisert Briggs & Stratton forhandlerverksted. Disse verkstedene fører originale Briggs & Stratton deler og har spesialverktøy til motorene. De har også mekanikere som er spesialopplærte til å reparere alle Briggs & Stratton motorer. Bare forhandlere som avterer som "Autorisert Briggs & Stratton" tilfredsstiller standarden som blir forlangt av Briggs & Stratton.

Når du kjøper en maskin som er drevet av en Briggs & Stratton motor, har du sikret deg profesjonell og pålitelig service hos over 30,000 autoriserte forhandlerverksteder med mer enn 5,000 høyt kvalifiserte sjefsmekanikere. Se etter disse skiltene hos alle som tilbyr Briggs & Stratton service.



Du finner ditt nærmeste autoriserte Briggs & Stratton forhandlerverksted på forhandlerkartet på vår Internettside [www.briggsandstratton.com](http://www.briggsandstratton.com) eller i "telefonkatalogens

Gule Sider™" under "Motorer, bensin" eller "Bensindrevne motorer," eller "Plenklippere" eller liknende.



Obs: "Walking fingers" og "Yellow Pages™" (Gule Sider) er registrerte varemerker i enkelte land.

En illustrert verkstedhåndbok som inneholder "bruksteori", vanlige spesifikasjoner og detaljert informasjon om justering, vedlikehold og reparasjon av Briggs & Stratton L-topp 4-taktsmotorer med en sylinder. Ta kontakt med et autorisert Briggs & Stratton forhandlerverksted og be om å få bestillingsnr. 270962. Forlang å få originale Briggs & Stratton reservedeler med vårt logo på esken og/eller delen. Deler som ikke er originale kan fungere dårlig og kan gjøre motorens garanti ugyldig.

# BRIGGS & STRATTON MOTORGARANTI

Gjelder fra 1. januar 2003, og erstatter alle udaterede garantier og alle garantier med dato før 1. januar 2003.

## BEGRENSET GARANTI

Briggs & Stratton Corporation vil reparere eller erstatte gratis alle motordeler som er funnet defekte i materiale eller utførelse eller begge deler. Alle transportkostnader for deler som skal skiftes ut eller repareres under denne garantien må dekkes av kjøperen. Denne garantien er kun gyldig i den tidsperioden og med de vilkårene som er gitt nedenfor. For å hevde garantien må man ta kontakt med nærmeste autoriserte forhandlerverksted som finnes på kartet over forhandlere på [www.briggsandstratton.com](http://www.briggsandstratton.com), eller ved å ringe 1-800-233-3723, eller ved å slå opp i telefonkatalogens "Gule sider"™.

DET GIS INGEN ANNEN EKSPLISITT GARANTI. IMPLISITT GARANTI. INKLUSIVE KJØPEGARANTIER ELLER AT UTSTYR SKAL PASSE TIL ET BESTEMT FORMÅL. ER BEGRENSET TIL ETT ÅR FRA SALGSDATO ELLER SÅ LENGE SOM PÅBUDT AV GJELDENE NORSKE LOVER. DETTE OPPHEVER ALLE ANDRE GARANTIER. ALLE KRAV OM ERSTATNING FOR FØLGESKADER ELLER AVSAVN ER UGYLDIGE SÅFREMME DE IKKE ER PÅBUDT VED LOV. Noen land tillater ikke at det settes tidsbegrensning på en implisitt garanti, og i enkelte land er det heller ikke lov å utelukke eller begrense ansvaret for følgeskader. Det kan derfor være mulig at reglene som er gitt ovenfor ikke gjelder der du bor. Denne garantien gir deg spesielle rettigheter, og du kan også ha andre rettigheter som vil variere fra land til land i tillegg.

## VÅRT PRODUKT

|                  |   |  |                 |              |
|------------------|---|--|-----------------|--------------|
| <b>VANGUARD™</b> | <b>ELS™</b><br><b>I/C®</b><br><b>Industrial Plus™</b><br><b>Intek™</b><br>(Sleeve Bore) | <b>Fource™</b><br><b>Intek™</b> (Kool Bore)<br><b>Power Built™</b><br><b>m/OHV toppventil</b><br><b>QUANTUM®</b><br><b>Quattro™</b><br><b>Q45™</b><br><b>Sprint™</b> | <b>Classic™</b> | <b>Etek™</b> |
|------------------|---|--|-----------------|--------------|

## GARANTIPERIODE\*

|                   |      |      |          |          |      |
|-------------------|------|------|----------|----------|------|
| Privat bruk       | 2 år | 2 år | 2 år     | 1 år     | 1 år |
| Profesjonelt bruk |      | 1 år | 90 dager | 90 dager |      |

\* **Vær oppmerksom på de følgende spesielle garantiperiodene:** 2 år for Classic™ motorene i landene innenfor den europeiske unionen og Øst-Europa, for alle produkter til privat bruk i den europeiske unionen og for avgasskontrollsystemer på motorer som er sertifisert av EPA og CARB. 5 år for privat bruk, 90 dager for profesjonell bruk av Touch-N-Mow® starteren på Quantum® og Intek™ motorene. **Garantien gjelder ikke for motorer som blir brukt i konkurransesammenheng eller på kommersielle baner eller utleide baner.**

Garantiperioden gjelder fra datoen produktet blir solgt for første gang, enten til privat bruk eller til profesjonelt bruk, og ut perioden som er gitt i tabellen ovenfor. "Privat bruk" betyr bruk i private husholdninger. "Profesjonelt bruk" betyr all annen bruk, inklusive kommersiell bruk, bruk for inntektservelse og utleie. Så snart en motor er blitt anvendt til profesjonelt bruk, vil den deretter bli betraktet som en kommersiell motor med hensyn til garantien.

**DET ER IKKE NØDVENDIG Å VISE ET GARANTIREGISTRERINGSKORT FOR Å OPPNÅ GARANTIRETTIGHETER FOR BRIGGS & STRATTON PRODUKTER. TA VARE PÅ KVITTERINGEN DU FIKK DA DU KJØPTE MOTOREN. HVIS DU IKKE KAN FREMLEGGE BEVIS PÅ FØRSTE SALGSDATO NÅR DU KREVER GARANTIEN, VIL PRODUKTETS PRODUKSJONSDATO BLI BRUKT TIL Å AVGJØRE GARANTIPERIODEN.**

## VEDRØRENDE GARANTI PÅ MOTOREN

Briggs & Stratton tar med glede i mot garantireparasjoner og beklager at du fikk bryderiet med dette. Alle autoriserte forhandlerverksteder kan utføre garantireparasjoner. De fleste garantireparasjonene utføres rutinemessig, men noen ganger kan det hende at et garantikrav ikke er berettiget. Garantien gjelder f.eks. ikke hvis motoren ble skadet som resultat av misbruk, dårlig vedlikehold, transport, håndtering, oppbevaring eller feil montering. Garantien gjelder heller ikke hvis motorens serienummer er blitt fjernet eller hvis motoren på noen måte er blitt endret eller modifisert.

Hvis en kunde er uenig i forhandlerverkstedets avgjørelse, vil garantikravet bli undersøkt nærmere. Be forhandlerverkstedet sende alle detaljer til importøren eller fabrikkens for vurdering. Hvis importøren eller fabrikkens avgjør at kravet er berettiget, vil kunden få full erstatning for de defekte delene. For å unngå evt. misforståelser mellom kunden og verkstedet, har vi beskrevet noen utvalgte feilsituasjoner som ikke dekkes av garantien.

### Normal slitasje:

Motorer, som alle andre mekaniske innretninger, trenger regelmessig service og skifte av deler for at de skal fungere optimalt. Garantien dekker ikke reparasjoner der en del eller en motor er blitt utslitt som resultat av normalt bruk.

### Utilstrekkelig vedlikehold

Levetiden til en motor avhenger av hvordan den brukes og hvordan den blir vedlikeholdt. Enkelte maskiner, som f.eks. jordfræsere, pumper og rotasjonsplenklippere, benyttes ofte der det er mye støv og skitt. Dette kan forårsake hurtig slitasje. Slik slitasje, forårsaket av at skitt, støv, sot/støv fra rensing av tennplugg og andre slpende partikler er kommet inn i motoren p.g.a. utilstrekkelig vedlikehold, dekkes ikke av garantien.

**Denne garantien dekker kun defekter i materialer og/eller utførelse i forbindelse med motoren. Garantien gjelder ikke for erstatning av maskinen som motoren er montert i og gjelder heller ikke reparasjoner som følge av:**

1. PROBLEMER SOM ER FORÅRSAKET AV DELER SOM IKKE ER ORIGINALE BRIGGS & STRATTON DELER
2. Kontrollutstyr eller andre deler som hindrer start, forårsaker at motoren går dårlig eller forkorter motorens levetid. (Ta kontakt med maskinprodusenten.)
3. Lekkasje i forgassere, tette drivstoffslanger, ventiler som har skjært seg eller andre feil forårsaket av forurenset eller gammelt drivstoff. (Bruk ren, fersk blyfri bensin og Briggs & Stratton drivstoffstabilisator, bestillingsnr. 5041.)
4. Deler som har skjært seg eller blitt ødelagt fordi motoren ble kjørt med for lite eller forurenset smøreolje, eller feil type smøreolje (oljenivået må sjekkes hver dag eller hver 8. driftstime. Fyll på ny olje når det er nødvendig og skift den med anbefalte intervaller.) Det kan hende at OIL GARD® ikke stanser motoren. Motoren kan få skader hvis ikke oljen holdes på riktig nivå. Les "Anvisninger for bruk og vedlikehold".
5. Reparasjon eller justering av tilhørende deler eller enheter som f.eks. clutcher, transmisjoner, fjernstyring etc. som ikke er produsert av Briggs & Stratton.
6. Skade eller slitasje på deler som er forårsaket av at det har kommet skitt inn i motoren p.g.a. for dårlig vedlikehold av luftfilteret eller at det er feil satt sammen eller at det er brukt feil type luftfilter eller kassett (O)jeskumfilteret® eller skumforfilteret skal rengjøres

og oljes med anbefalte intervaller og kassetten skal skiftes ut.) Les "Instruksjoner for bruk og vedlikehold".

7. Deler som er skadet som resultat av for høyt turtall, eller overoppheting som skyldes at skitt, gress eller rusk tetter igjen kjøleribbene eller svinghjulet, eller skader forårsaket av at motoren er blitt brukt på steder uten tilstrekkelig ventilasjon. (Rengjør kjøleribbene på sylindernen, sylindertoppen og svinghjulet med anbefalte intervaller). Les "Instruksjoner for bruk og vedlikehold".
8. Deler på maskin eller motor som er brukt p.g.a. vibrasjoner forårsaket av at motoren sitter løst, løstsittende kniver, ubalanserte kniver eller løse eller ubalanserte viftehjul, utstyr som er feil montert på veivakselen, for høyt turtall eller annen uforsiktig bruk.
9. En bøyd eller brukt veivaksel forårsaket av at kniven på en roterende gressklipper har slått mot en hard gjenstand, eller av at v-remmen er for stram.
10. Rutinemessig trimming eller justering av motoren.
11. Svikt av motor eller motordeler, dvs. forbrenningskammer, ventiler, ventilseter, ventilforere, eller brente startermotorviklinger forårsaket av at det er blitt brukt alternativt drivstoff slik som flytende petroleum, naturgass, endret bensin etc.

**Garantien er kun tilgjengelig gjennom forhandlerverksteder som er autorisert av Briggs & Stratton Corporation. Nærmeste autoriserte Briggs & Stratton forhandlerverksted finner du i telefonkatalogens "Gule sider"™ under "Motorer," "Hagebruksmaskiner," "Hageredskaper"™ e.l.**

|   |           |           |           |           |           |           |           |           |           |              |
|---|-----------|-----------|-----------|-----------|-----------|-----------|-----------|-----------|-----------|--------------|
| Briggs & Stratton motorene er produsert under en eller flere av de følgende patentene: Design D-247,177 (Andre patenter er anmeldt) |           |           |           |           |           |           |           |           |           |              |
| 6,325,036   | 6,077,063 | 5,819,513 | 5,606,948 | 5,497,679 | 5,235,943 | 5,138,996 | 4,996,956 | 4,633,556 | 4,430,984 | DES. 308,871 |
| 6,284,123   | 6,064,027 | 5,813,384 | 5,606,851 | 5,320,795 | 5,197,425 | 5,086,890 | 4,977,879 | 4,630,498 |           | DES. 308,872 |
| 6,260,529   | 6,014,808 | 5,765,713 | 5,548,955 | 5,271,363 | 5,197,422 | 5,070,829 | 4,971,219 | 4,522,080 |           | DES. 309,457 |
| 6,230,678   | 5,894,715 | 5,645,025 | 5,546,901 | 5,269,713 | 5,191,864 | 5,058,544 | 4,895,119 | 4,520,288 |           | DES. 356,951 |
| 6,202,616   | 5,852,951 | 5,642,701 | 5,503,125 | 5,265,700 | 5,188,069 | 5,040,644 | 4,819,593 | 4,512,499 |           | DES. 361,771 |
| 6,116,212   | 5,823,153 | 5,619,845 | 5,501,203 | 5,243,878 | 5,186,142 | 5,009,208 | 4,719,682 | 4,453,507 |           | DES. 375,963 |

## Het Gebruik Van De Handleiding Figuren

1 - 9 zie de figuren binnenin de omslagen.

1 - 19 zie de motor onderdelen in figuur 1.

1 - 9 zie onderdeel/actie in de figuren.

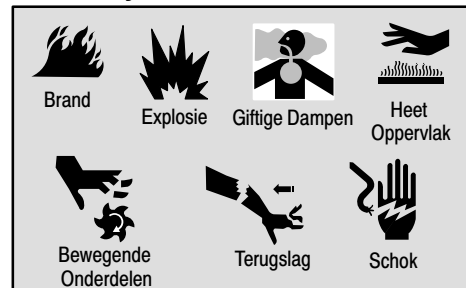
Noteer uw motor Model, Type en Code nummers hier voor eventueel gebruik later.

Noteer hier uw aanschafdatum voor eventueel gebruik later.

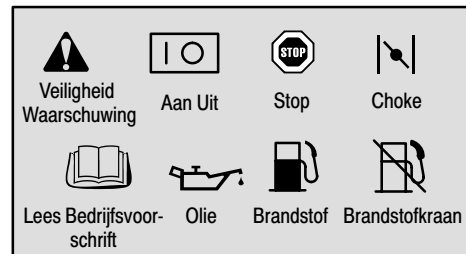
## Motor Onderdelen (zie fig. 1)

- |    |  |
|----|--|
| 1  | Koordgreep   |
| 2  | Toerentalbediening   |
| 3  | <b>Motor</b> <b>Model</b> <b>Type</b> <b>Code</b><br>xxxxxx      xxxx xx      xxxxxxxx |
| 4  | Luchtfilter  |
| 5  | Chokebediening   |
| 6  | Benzinevulopening  |
| 7  | Stopschakelaar/Oil Gard® oliebewaking, indien hiermee uitgerust                        |
| 8  | Koelluchtkep   |
| 9  | Bougiekabel  |
| 10 | Olie vulopening/peilstok   |
| 11 | Uitlaat  |
| 12 | Vonkenvanger, indien hiermee uitgerust   |
| 13 | Aftapplug  |
| 14 | Olievulplug  |
| 15 | 12V elektrische starter, indien hiermee uitgerust                                      |
| 16 | Benzinekraan, indien hiermee uitgerust.  |

## Gevaar Symbolen en Betekenissen



## Internationale Symbolen en Betekenissen



## Veiligheid Voorzorgen



### VOORDAT DE MOTOR GEBRUIKT WORDT

- Lees de volledige Bedrijfs- & Onderhoudsinstructies EN de instructies voor de machine die deze motor aandrijft.\*
- Het niet opvolgen van instructies kan resulteren in ernstig letsel of de dood.

\* Briggs & Stratton weet niet noodzakelijkerwijs welke machine deze motor zal aandrijven. Om deze reden dient U de bedieningsinstructies van de machine waarop uw motor geplaatst is zorgvuldig te lezen en te begrijpen.

### DE BEDRIJFS- & ONDERHOUDSINSTRUCTIES BEVATTEN VEILIGHEIDSINFORMATIE OM

- U bewust te maken van gevaren die met motoren verband houden
- U te informeren over het gevaar van letsel dat verband houdt met deze gevaren, en
- U te vertellen hoe U de kans op letsel kunt voorkomen of verminderen.

Het veiligheidssymbool wordt gebruikt om veiligheidsinformatie over gevaren die in persoonlijk letsel kunnen resulteren te identificeren.

Een signaalwoord (GEVAAR, WAARSCHUWING of OPGEPAST) wordt met het veiligheidssymbool gebruikt om de waarschijnlijkheid en mogelijke ernst van letsel aan te geven. Aanvullend kan een gevarensymbool gebruikt worden om het soort gevaar aan te geven.

**GEVAAR** duidt op een gevaar dat, indien niet vermeden, **zal resulteren in de dood of ernstig letsel.**

**WAARSCHUWING** duidt op een gevaar dat, indien niet voorkomen, **kan resulteren in de dood of ernstig letsel.**

**OPGEPAST** duidt op een gevaar dat, indien niet vermeden, **kan resulteren in licht of matig letsel.**

**OPGEPAST**, indien gebruikt **zonder** het waarschuwingssymbool, geeft een situatie aan die **kan resulteren in schade aan de motor.**



### WAARSCHUWING

De uitlaatgassen van dit product bevatten chemicaliën die in de Staat Californië bekend staan kanker, geboortefwijkingen of andere reproductieve schade te kunnen veroorzaken.



### WAARSCHUWING



Benzine en haar dampen zijn uiterst brandbaar en explosief.

Brand of explosie kunnen ernstige brandwonden of de dood veroorzaken.

#### BIJ HET TOEVOEGEN VAN BRANDSTOF

- Zet de motor UIT en laat deze tenminste 2 minuten afkoelen voordat de tankdop verwijderd wordt.
- Vul de brandstoftank buiten of in een goed geventileerde ruimte.
- De brandstoftank niet overvullen. Vul de tank tot ongeveer 4 cm onder de bovenkant van de vulopening om de brandstof te kunnen laten uitzetten.
- Houd benzine weg van vonken, open vlammen, waakvlammen, hitte en andere ontstekingsbronnen.
- Controleer benzineslangen, tank, dop en nippels regelmatig op barsten of lekkages. Zonodig vervangen.

#### BIJ HET STARTEN VAN DE MOTOR

- Zorg ervoor dat bougie, uitlaat, tankdop en luchtfilter op hun plaats zijn.
- Torn de motor niet met verwijderde bougie.
- Indien brandstof gemorst wordt, wachten tot deze verdampt is voordat de motor gestart wordt.
- Wanneer de motor "verzuipt", de choke in de stand "OPEN/RUN" plaatsen, de toerentalbediening in "FAST" (=volgas) plaatsen en tornen tot de motor start.

#### BIJ HET GEBRUIK VAN DE MACHINE

- De motor of machine niet kantelen tot een hoek waardoor benzine gemorst wordt.
- De carburateur niet choken om de motor te stoppen.

#### BIJ HET TRANSPORTEREN VAN DE MACHINE

- Transporteren met LEGE brandstoftank of met de benzinekraan in de stand "OFF" (=uit).

#### BIJ HET OPSLAAN VAN BENZINE OF DE MACHINE MET BRANDSTOF IN DE TANK

- Opslaan uit de buurt van fornuizen, kachels, geisers of boilers of andere apparaten die een waakvlam bevatten of andere ontstekingsbronnen, omdat deze benzinedampen kunnen doen ontbranden.



### WAARSCHUWING



Het starten van de motor creëert vonken.

Vonken kunnen brandbare gassen ontsteken die zich in de buurt bevinden.

Explosie en brand kunnen het resultaat zijn.

- Indien zich aardgas of LPG lekkage in de buurt bevindt, de motor niet starten.
- Gebruik geen onder druk staande startvloeistoffen omdat de dampen brandbaar zijn.



### WAARSCHUWING



Motoren geven koolmonoxide af, een reukloos, kleurloos, giftig gas.

Het inademen van koolmonoxide kan misselijkheid, flauwvallen of de dood veroorzaken.

- De motor buitenshuis starten en gebruiken.
- De motor niet in een afgesloten ruimte starten of gebruiken, zelfs niet met open deuren of ramen.



### WAARSCHUWING



Per ongeluk vonken kan resulteren in brand of een elektrische schok.

Per ongeluk starten kan resulteren in verwarring, traumatische amputatie, of verscheuring.

#### VOORDAT AFSTELLINGEN OF REPARATIES WORDEN UITGEVOERD

- Ontkoppel de bougiekabel en houd deze weg van de bougie.
- Ontkoppel de accu bij de negatieve aansluiting (alleen motoren met elektrostart).

#### BIJ HET CONTROLEREN OP VONKEN

- Gebruik een goedgekeurde bougiestester.
- Controleer niet op vonken met verwijderde bougie.



### WAARSCHUWING



Draaiende motoren produceren hitte.

Motoronderdelen, vooral de uitlaat, worden uiterst heet.

Ernstige brandwonden kunnen optreden bij contact.

Brandbaar vuil, zoals bladeren, gras, hout, enz., kan in brand geraken.

- Laat uitlaat, motorcilinder en vinnen afkoelen voordat deze aangeraakt worden.
- Verwijder opgehoopte brandbare zaken van de uitlaat en het cilindergebied.
- Installeer een vonkenvanger en houd deze in goede staat voordat de machine wordt gebruikt op bebost, met gras of struiken bedekt ongecultiveerd land. De staat Californië vereist dit (Sectie 4442 van de California Public Resources Code). Andere staten kunnen gelijkwaardige wetten hebben. Federale wetten zijn van toepassing op federaal land.



### WAARSCHUWING



Handen, voeten, haar, kleren, of accessoires kunnen in aanraking komen met- en verstrikt raken in draaiende onderdelen.

Traumatische amputatie of ernstige verscheuring kunnen het resultaat zijn.

- De machine gebruiken met afschermingen op hun plaats.
- Houd handen en voeten weg van draaiende onderdelen.
- Bind lang haar op en verwijder sierraden.
- Draag geen loszittende kleding, hangende koorden of zaken die verstrikt kunnen raken.



### WAARSCHUWING



Snel terugtrekken van het startkoord (terugslag) zal uw hand en arm sneller naar de motor toetrekken dan U kunt loslaten.

Gebroken botten, kneuzingen of verstuikingen kunnen het resultaat zijn.

- Bij het starten van de motor, het koord langzaam uittrekken tot er weerstand gevoeld wordt, dan snel uittrekken.
- Verwijder alle externe machine/motorbelastingen voordat de motor gestart wordt.
- Direct verbonden machinecomponenten zoals, maar niet beperkt tot, messen, ventilatoren, poelies, tandwielen enz., moeten stevig bevestigd zijn.

## Olie Aanbevelingen (zie fig. 2)

De motor wordt door Briggs & Stratton zonder olie verzonden. **Voordat de motor gestart wordt, deze met olie vullen. Niet overvullen.**

Gebruik een hoge kwaliteit detergerende olie die geclassificeerd is "For Service SF, SG, SH, SJ" of hoger zoals Briggs & Stratton SAE 30 olie, onderdeelnummer 100005 (0,6 liter) of 100006 (1,4 liter). Gebruik geen speciale toevoegingen met de aanbevolen oliën. Meng geen olie door de benzine.

Kies de SAE viscositeit olie van deze kaart die past bij de verwachte starttemperatuur voor de volgende keer olie verversen.



**Noot:** Synthetische olie die voldoet aan de ILSAC GF-2, API certificatie markering en API service symbool (links getoond) met "SJ/CF ENERGY CONSERVING" of hoger, is een acceptabele olie bij alle temperaturen. **Het gebruik van synthetische olie verandert de olie verversingsintervallen niet.**



- \* Luchtgekoelde motoren worden heter dan automotoren. Het gebruik van niet-synthetische multi-grade oliën (5W-30, 10W-30, enz.) bij temperaturen boven 4° C zal resulteren in hoger dan normaal oliegebruik. Controleer het oliepeil vaker bij gebruik van multi-grade olie.
- \*\* SAE 30 olie, indien gebruikt onder 4° C, zal resulteren in slecht starten en mogelijke schade aan de cilinderboring door onvoldoende smering.

**Oliepeil controleren.** Model Series oliecapaciteit is ongeveer:

1,3 liter voor Modellen 170000 en 190000.

1,4 liter voor Model 250000.

Plaats de motor waterpas en reinig rond de olie vulopening 1.

Verwijder de peilstok 2, met een schone doek afvegen en opnieuw vastdraaien. Verwijder de peilstok en controleer het oliepeil. De olie moet tot de "FULL" (=vol) markering komen. Niet overvullen.

OF

Verwijder de olievulplug 3. De olie moet tot het punt van overlopen zijn 4.

Draai de peilstok of de olievulplug stevig vast voordat de motor gestart wordt.

## Brandstof Aanbevelingen

Gebruik schone, verse, loodvrije benzine met een minimum octaangetal van 77. Gelode benzine mag gebruikt worden als deze verkrijgbaar is en loodvrij niet. Schaf de benzine aan in hoeveelheden die binnen 30 dagen kunnen worden opgebruikt. Zie **Opslag**.

Gebruik geen benzine die Methanol bevat. Meng geen olie door de benzine.

Voor bescherming van de motor raden wij het gebruik aan van Briggs & Stratton Brandstof Stabilisator, verkrijgbaar bij een Geautoriseerde Briggs & Stratton Service Dealer.

## Benzineniveau Controleren.



Voordat er getankt wordt, de motor 2 minuten laten afkoelen.

Reinigen rond de brandstof vulopening voordat de tankdop verwijderd wordt voor bijtanken. Vul de tank tot ongeveer 4 cm onder de bovenkant van de vulopening om de brandstof te kunnen laten uitzetten. Wees voorzichtig niet te overvullen.

## Starten (zie fig. 3 4)



HOUD ALTIJD HANDEN EN VOETEN WEG VAN BEWEGENDE OF DRAAIENDE DELEN.

Gebruik geen onder druk staande startvloeistof. De dampen zijn brandbaar.

De machine waterpas starten, opslaan en bijtanken. Controleer het oliepeil.

Open de benzinekraan indien hiermee uitgerust.

**OPGEPAST:** oliebewaking-OIL GARD® indien hiermee uitgerust, (zie 7 fig. 1) is bedoeld om te voorkomen dat een motor start met te weinig olie. OIL GARD® kan mogelijk niet een draaiende motor uitschakelen. Motorschade kan optreden wanneer de olie niet op peil gehouden wordt en zal niet door garantie gedekt worden. Controleer altijd het oliepeil voordat de motor gestart wordt.

Indien de motor is uitgerust met OIL GARD®, en indien de motor met te weinig olie draait, dan waarschuwt een lampje op de motor voor een laag oliepeil. Als het lampje knippert en de motor niet gestart kan worden, of gestopt is en niet opnieuw gestart kan worden, voeg dan olie toe. Vullen tot het punt van overlopen bij de olievulplug of de "FULL" (=vol) markering op de peilstok. Niet overvullen

## Voor het starten (zie fig. 3)

1. Beweeg de chokebediening 1 naar de CHOKE positie.
2. Beweeg de toerentalbediening 2 naar de stand "FAST" (=volgas).
3. Draai de benzinekraan 3 open, indien hiermee uitgerust.
4. Beweeg de stopbediening 4 naar de stand "ON" (=aan), indien hiermee uitgerust.

Indien de motor is uitgerust met OIL GARD®, en indien de motor met te weinig olie draait, dan waarschuwt een lampje op de motor voor een laag oliepeil. Als het lampje knippert en de motor niet gestart kan worden, of gestopt is en niet opnieuw gestart kan worden, voeg dan olie toe. Vullen tot het punt van overlopen bij de olievulplug of de "FULL" (=vol) markering op de peilstok. Niet overvullen.

## Repeteerstarter (zie fig. 4)



Grijp de koordgreep en trek langzaam tot er weerstand gevoeld wordt. Trek het koord dan snel uit om door de compressie te komen, terugslag te voorkomen en de motor te starten. Zonodig herhalen met de choke in de stand "RUN" (=aan) en de toerentalbediening in "FAST" (=volgas). Wanneer de motor start, deze gebruiken in de stand "FAST" (=volgas).

## Elektrische starter (zie fig. 4)

Bij motoren die zijn uitgerust met 12 volt startsystemen, de sleutel naar de stand "START" draaien 1 of de startknop 2 indrukken. Zonodig herhalen met de choke in de stand "RUN" (=draaien) en de toerentalbediening in de stand "FAST" (=volgas). Als de motor start, deze gebruiken in de stand "FAST".

Noot: Als de machinefabrikant de accu geleverd heeft, laad deze dan volgens de aanwijzingen van de machinefabrikant op voordat getracht wordt de motor te starten.

Noot: Start steeds kort achter elkaar (15 sec. per minuut) om de levensduur van de startmotor te verlengen. Langdurig tornen kan de startmotor beschadigen.

## Stoppen (zie fig. 5)

De chokebediening niet naar "CHOKE" bewegen om de motor te stoppen. Er kan terugslag of motorschade optreden. Beweeg de toerentalbediening naar de positie "IDLE" (=stationair) of "SLOW" (=langzaam) 1, indien hiermee uitgerust. Draai dan de sleutel naar "OFF" (=uit) of beweeg de stopbediening naar de stand "OFF" (=uit) 2. Sluit de benzinekraan 3.

Noot: Verwijder altijd de sleutel uit het contactslot wanneer de machine niet gebruikt wordt of onbeheerd wordt achtergelaten.

Noot: Wanneer de motor of de machine vervoerd wordt, de benzinekraan sluiten om lekkage te voorkomen.

## Afstellingen (zie fig. 6)



Om per ongeluk starten te voorkomen, de bougiekabel van de bougie losnemen 1 en deze

aan massa leggen voor het afstellen en de accu loskoppelen aan de negatieve aansluiting, indien hiermee uitgerust.

## Toerentalbediening afstellingen (zie fig. 6)

### Handmatige frictie bediening

De vleugelmoer 2 op de bedieningsplaat los- of vastdraaien tot de toerentalbediening 3 met enige weerstand beweegt en nog wel in de ingestelde positie blijft staan wanneer de motor draait.

### Afstandsbediening

Draai de buitenkabel klembout 4 los. Beweeg de buiten- en binnenkabel 5 zo ver mogelijk in de richting van de pijl. Beweeg de toerentalbediening naar de stand "FAST" (=volgas). Draai de buitenkabel klembout vast.

### Vaste reguleurbediening

De afstelschroef voor het maximum toerental 6 is afgesteld op de fabriek volgens de specificaties van de machinefabrikant. NIET VERSTELLEN. Als afstelling nodig is, raadpleeg dan een Geautoriseerde Briggs & Stratton Service Dealer.

### Carburateur afstelling



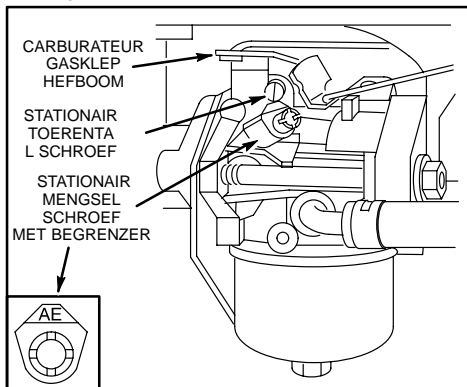
De fabrikant van de machine waarop deze motor is geïnstalleerd specificeert het maximum toerental waarop de motor gebruikt zal worden. OVERTREF dit toerental NIET.

Raadpleeg een Geautoriseerde Briggs & Stratton Dealer voor carburateur afstelling.

Start de motor en warm deze ongeveer 5 minuten op voor het afstellen. Plaats met draaiende motor de toerentalbediening in de stand "SLOW" (=langzaam). Draai de carburateur gasklephefboom tegen de stationair toerentalschroef en houd hem vast. Draai de stationair toerentalschroef om 1750 T/Min. te verkrijgen.

Draai de stationair mengselschroef zover mogelijk rechtsom. Plaats uiteindelijk deze schroef naar het midden van de bewegingsmogelijkheid. Controleer het stationair toerental en stel dit zonedig weer 1750 T/Min. af.

Beweeg de toerentalbediening naar de stand "FAST" (=volgas). De motor moet soepel accelereren. Als dit niet het geval is, stel dan de stationair mengselschroef 1/8 slag linksom.



## Onderhoud (zie fig. 7 8 9)

Zie het **Onderhouds Schema**. Volg de intervallen volgens bedrijfsuren of kalender, wat het eerst voor komt. Er is vaker onderhoud nodig wanneer de motor onder zware omstandigheden wordt gebruikt.

Om per ongeluk starten te voorkomen, de bougiekabel ① verwijderen en aan massa leggen voordat er onderhoud wordt uitgevoerd, en de accu loskoppelen aan de negatieve aansluiting, indien hiermee uitgerust.

### Olie service (zie fig. 7)

Controleer regelmatig het oliepeil. Zorg ervoor dat de olie op peil gehouden wordt. Iedere 5 uur of dagelijks controleren, voordat de motor gestart wordt. Zie de olie vulprocedure onder **Olie Aanbevelingen**.

### Olie verversen

Ververs de olie na de eerste 5 bedrijfsuren. Ververs de olie wanneer de motor warm is. Opnieuw vullen met olie van de aanbevolen SAE viscositeit (zie fig. 2).

### Tandwiel vertraging, indien hiermee uitgerust

Verwijder de olietulplug ② en de olieniveauplug ③. Tap de olie iedere 100 bedrijfsuren of ieder seizoen af. Om opnieuw te vullen, SAE 30 olie in de olietank gieten tot het uit het olieniveau controlegat stroomt. Breng beide pluggen weer aan. De olietank heeft een ventilatiegatje ④ en moet aan de bovenkant van het tandwielkastdekseel geïnstalleerd worden.

### Luchtfilter service (zie fig. 8)

Vervang het voorfilter ②, en/of de papier patroon ③ indien erg vuil of beschadigd.

1. Draai de boutjes los. Verwijder dan het deksel en luchtfilter samenstel van de basis.

2. Verwijder het luchtfilter samenstel uit de binnenkant van het deksel en demonteer het.

Om het voorfilter te onderhouden, het wassen in een vloeibaar wasmiddel en water. Droogknijpen in een schone doek. Doordrenken in motorolie. Uitknijpen in een schone, absorberende doek om ALLE OVERTOLIGE olie te verwijderen.

Om de patroon te reinigen, deze zachtjes tegen een plat oppervlak kloppen. Gebruik geen petroleum oplosmiddelen, zoals kerosine, welke de patroon zullen doen vervormen. Gebruik geen perslucht, dit kan de patroon beschadigen. De patroon niet inoliën.

3. Installeer de houder ④, het voorfilter (gaaszijde van het voorfilter gericht naar de patroon vouwen) en de patroon in het deksel.
4. Steek de nokken ⑤ van het deksel in de sleuven ⑥ in de basis. Draai de dekselboutjes stevig vast.

### Bougie service (zie fig. 8)



Controleer NIET op vonken met de bougie verwijderd. Gebruik uitsluitend een Briggs & Stratton Vonktester ⑥, om op vonken te controleren.

Torn de motor NIET met verwijderde bougie. Wanneer de motor "verzopen" is, plaats de toerenregeling dan in de "FAST" (=volgas) positie en torn tot de motor start.

De bougie elektrodeafstand ⑦ moet 0,75 mm zijn.

Reinig/vervang de bougie iedere 100 uur of ieder seizoen, wat het eerst voor komt. Een vonktester en bougiesleutel zijn verkrijgbaar bij elke Geautoriseerde Briggs & Stratton Service Dealer.

Noot: Voor Model Series 19E400, 19F400, 19G400 motoren, uitsluitend bougie, Onderdeelnummer 496018 gebruiken. Voor Model Series 192400, 196400, 197400, 250400, 256400, 257400 motoren standaard bougie, onderdeelnummer 492167, of weerstandbougie, onderdeelnummer 802592, indien nodig gebruiken.

Noot: In sommige gebieden schrijven plaatselijke wetten het gebruik voor van een weerstandbougie om ontstekingsignalen te onderdrukken. Indien deze motor origineel was uitgerust met een weerstandbougie, gebruik dan voor vervanging hetzelfde type bougie.

### Houd de motor schoon (zie fig. 9)

Verwijder regelmatig opgehoopt gras en kaf van de motor. De motor niet om deze te reinigen met water bespuiten omdat water de benzine kan verontreinigen. Reinigen met een borstel of perslucht.



Ophoping van vuil rond de uitlaat ⑧ kan brand veroorzaken. Voor ieder gebruik inspecteren en reinigen.

Als de uitlaat is voorzien van een vonkvangerscherm ⑨, het vonkvangerscherm iedere 50 uur of ieder seizoen verwijderen voor reiniging en inspectie. Vervangen indien beschadigd.

Om een goede werking te verzekeren, de reguleerverbindingen, -veren en -bedieningen ④ vrij van vuil houden.



Vervang het benzinefilter in de slang ⑤. Tap de benzinetank af of sluit de benzinekraan voordat het benzinefilter vervangen wordt.

Reinig het koelsysteem. Kaf of vuil kan het koelsysteem van de motor verstopen, vooral na langdurig bedrijf. De inwendige koelvinnen en oppervlakken kunnen schoon-

gemaakt moeten worden om oververhitting en motorschade te voorkomen. Verwijder de koelluchtkep en reinig als getoond ⑩.

## Onderhouds Schema

Volg de intervallen volgens bedrijfsuren of kalender, wat het eerst voor komt. Er is vaker onderhoud nodig wanneer de motor onder zware omstandigheden wordt gebruikt, zoals hieronder aangegeven.

### Eerste 5 uur

- Olie verversen

### Iedere 5 uur of dagelijks

- Oliepeil controleren
- Reinigen rond uitlaat, veren en verbindingen

### Iedere 25 uur of ieder seizoen

- Olie verversen bij bedrijf onder zware belasting of hoge omgevingstemperatuur
- Luchtfilter voorfilter onderhouden\*

### Iedere 50 uur of ieder seizoen

- Olie verversen
- Vonkvangere reinigen en inspecteren, indien hiermee uitgerust

### Iedere 100 uur of ieder seizoen

- Luchtfilter patroon onderhouden\*
- Benzinefilter in de slang vervangen, indien hiermee uitgerust
- Bougie vervangen/reinigen
- Olie in tandwielvertraging verversen, indien hiermee uitgerust
- Koelsysteem reinigen\*

\* *Vaker reinigen onder stoffige omstandigheden, of indien er veel zwevend vuil of kaf aanwezig is.*

### Gedeeltelijke Lijst van Originele Briggs & Stratton Onderdelen

#### Briggs & Stratton (of gelijkwaardig)

| Onderdeel  | Onderdeelnr.                              |
|--|---|
| Olie (0,6 liter) . . . . .   | 100005                                    |
| Olie (1,4 liter) . . . . .   | 100006                                    |
| Oliepomp set (gebruikt standaard elektrische boormachine om snel olie uit de motor te verwijderen) . . . . . | 5056                                      |
| Brandstof stabilisator (30 ml éénmalig gebruik verpakking) . . . . .   | 992030                                    |
| Brandstof stabilisator (125 ml. fles) . . . . .  | 999005E                                   |
| Brandstoffilter (zonder brandstofpomp)298090 (5018)  |   |
| Brandstoffilter (met brandstofpomp)394358 of 493629  |   |
| Luchtfilterpatroon . . . . .   | 492889                                    |
| Voorfilter van het luchtfilter . . . . .   | 496077                                    |
| Weerstandbougie . . . . .  | 496018E (modellen 19E400, 19F400, 19G400) |
| "Long life platinum" bougie . . . . .  | 5066 (modellen 19E400, 19F400, 19G400)    |
| Weerstandbougie (modellen 192400, . . . . .  | 802592E                                   |
| 196400, 197400, 250400, 256400, 257400)  |   |
| Standaard bougie (modellen 192400, . . . . .   | 492167                                    |
| 196400, 197400, 250400, 256400, 257400)  |   |
| "Long life platinum" bougie . . . . .  | 992041 (5062)                             |
| (modellen 192400, 196400, 197400, 250400, 256400, 257400)  |   |
| Vonktester . . . . .   | 19368                                     |
| Bougiesleutel . . . . .  | 89838 (5023)                              |
| Vonkvangere . . . . .  | 399541 of 392390                          |

## Opslag

Motoren die langer dan 30 dagen worden opgeslagen moeten beschermd worden of alle benzine moet afgetapt worden om het vormen van gom in het brandstofsysteem of op essentiële carburateur onderdelen te voorkomen.

Ter bescherming van de motor raden wij het gebruik aan van Briggs & Stratton Brandstof Stabilisator, verkrijgbaar bij een Geautoriseerde Briggs & Stratton Service Dealer. Meng de stabilisator door de benzine in de tank of in de jerrycan. Laat de motor kort draaien om de stabilisator door de carburateur te laten circuleren. De motor en brandstof kunnen nu tot 24 maanden worden opgeslagen.

Noot: Als er geen stabilisator gebruikt wordt of indien de motor werkt op benzine die alcohol bevat, zoals gasohol, verwijder dan alle benzine uit de tank en laat de motor draaien tot deze stopt door brandstofgebrek.

1. Olie verversen. Zie **Olie Service** (zie fig. 2 [7]).
2. Verwijder de bougie en giet ongeveer 30 ml motorolie in de cilinder. Breng de bougie weer aan en torn langzaam om de olie te verdelen.
3. Reinig kaf en vuil van de cilinder en de cilinderkopvinnen, onder de vingerbeschermer en achter de uitlaat.
4. Opslaan in een schone en droge omgeving, maar NIET in de buurt van een kachel, fornuis of geiser die een waakvlam gebruiken of een vonk kunnen veroorzaken.

## Service

Raadpleeg een Geautoriseerde Briggs & Stratton Service Dealer. Elke dealer heeft een voorraad Originele Briggs & Stratton Onderdelen en is uitgerust met speciale service gereedschappen. Getrainde monteurs verzekeren vakkundige reparatieservice voor alle Briggs & Stratton motoren. Alleen dealers die adverteren als "Geautoriseerd Briggs & Stratton" hebben zich verplicht om aan de Briggs & Stratton standaards te voldoen.

Wanneer U een machine aanschaf die wordt aangedreven door een Briggs & Stratton motor, dan bent U verzekerd van zeer vakkundige, betrouwbare service bij meer dan 30.000 Geautoriseerde Service Dealers wereldwijd, inclusief meer dan 5.000 Master Service Technicians. Zoek naar deze logo's waar Briggs & Stratton service wordt aangeboden.



U kunt uw dichtstbijzijnde Geautoriseerde Briggs & Stratton Service Dealer vinden op onze "dealer locator" kaart op onze web site [www.briggsandstratton.com](http://www.briggsandstratton.com) of in de "Gouden Gids™" onder "Motoren, Benzine" of onder "Benzinemotoren", of onder "Gazonmaaiers" of dergelijke categorie.



Noot: Het lopende vingers logo en "Gouden Gids™" zijn geregistreerde handelsmerken in verschillende rechtsgebieden.

Een geïllustreerd werkplaatshandboek omvat "Theorie van de Werking", algemene specificaties en gedetailleerde informatie over afstelling, onderhoud en reparatie van Briggs & Stratton éencilinder, zijklep 4-takt motoren. Bestel onderdeelnummer 271891 bij een Geautoriseerde Briggs & Stratton Service Dealer. Eis originele Briggs & Stratton vervangings onderdelen met ons logo op de verpakking en/of het onderdeel. Niet-originele onderdelen kunnen mogelijk niet zo goed presteren en maken uw garantie ongeldig.

# BRIGGS & STRATTON MOTOR EIGENAAR GARANTIE POLITIEK

Geldig vanaf 1 januari 2003, vervangt alle ongedateerde Garanties en alle Garanties gedateerd vóór 1 januari 2003.

## GARANTIEBEPALINGEN

Briggs & Stratton zal zonder berekening elk onderdeel, of onderdelen van de motor vervangen dat defect is in materiaal of bewerking of beide. Transportkosten voor onderdelen die zijn ingezonden voor reparatie of vervanging met betrekking tot deze garantie komen ten laste van de koper. Deze garantie heeft betrekking op de tijdsduur en is onderhevig aan de hieronder afgedrukte voorwaarden. Voor garantieservice dient U de dichtstbijzijnde Geautoriseerde Service Dealer te vinden in onze "dealer locator" kaart op [www.briggsandstratton.com](http://www.briggsandstratton.com) of als genoemd in de "Gouden Gids™" onder "Motoren, Benzine", "Benzinemotoren", "Gazonmaaiers" of een dergelijke categorie.

ER IS GEEN ANDERE EXPLICIETE GARANTIE. INBEGREPEN GARANTIES, INCLUSIEF DIE VAN VERKOOPBAARHEID EN GESCHIKTHEID VOOR EEN BEPAALD DOEL ZIJN BEPERKT TOT EEN JAAR VANAF AANKOOP, OF TOT DIE OMVANG DIE DOOR DE WET IS TOEGESTAAN. ALLE INBEGREPEN GARANTIES ZIJN UITGESLOTEN. AANSPRAKELIJKHEID VOOR INCIDENTELE- OF GEVOLGSCHADES ZIJN UITGESLOTEN VOOR ZOVER DEZE UITSLUITING WETTIG IS TOEGESTAAN. Sommige rechtsgebieden staan geen beperking toe met betrekking tot hoe lang inbegrepen garantie duurt, en sommige rechtsgebieden staan geen beperking toe met betrekking tot gevolgschades, dus de bovenvermelde beperkingen kunnen mogelijk niet op U van toepassing zijn. Deze garantie geeft U bepaalde specifieke rechten en U kunt mogelijk andere rechten hebben die van rechtsgebied tot rechtsgebied variëren.

## ONS PRODUCT

|                  |   |   |                 |              |
|------------------|---|---|-----------------|--------------|
| <b>VANGUARD™</b> | <b>ELS™</b><br><b>I/C®</b><br><b>Industrial Plus™</b><br><b>Intek™</b><br>(Gietijzeren<br>Cilinderboring) | <b>Fource™</b><br><b>Intek™</b> (Aluminium<br>Cilinderboring)<br><b>Power Built™ OHV</b><br>(=kopklep)<br><b>QUANTUM®</b><br><b>Quattro™</b><br><b>Q45™</b><br><b>Sprint™</b> | <b>Classic™</b> | <b>Etek™</b> |
|------------------|---|---|-----------------|--------------|

## GARANTIEPERIODE\*

|                     |        |        |          |          |        |
|---------------------|--------|--------|----------|----------|--------|
| Consumentengebruik  | 2 jaar | 2 jaar | 2 jaar   | 1 jaar   | 1 jaar |
| Commercieel Gebruik |        | 1 jaar | 90 dagen | 90 dagen |        |

\* **Merk de volgende speciale garantieperiodes op: 2 jaar** voor Classic™ motoren in de Europese Gemeenschap en Oosteuropese landen, voor alle consumentenproducten in de Europese Gemeenschap, en voor emissies beheerssystemen op motoren die gecertificeerd zijn door EPA en CARB. **5 jaar** voor consumentengebruik, 90 dagen voor commercieel gebruik van de Touch-N-Mow® starter op Quantum® en Intek™ motoren. **Motoren die gebruikt worden voor competitief racen en op commerciële- of verhuurcircuits worden niet gegarandeerd.**

De garantieperiode begint op de dag van aankoop van de eerste detailhandelconsument of commerciële eindgebruiker en gaat door voor de tijdsperiode in bovenstaande tabel. "Consumentengebruik" betekent persoonlijk huishoudelijk gebruik door een detailhandelconsument. "Commercieel gebruik" betekent elk ander gebruik, inclusief inkomen verschaffend gebruik of verhuurdoeleinden. Als een motor eenmaal commercieel gebruikt is, dan zal deze daarna voor deze garantie als commercieel gebruikt worden beschouwd.

**ER IS GEEN GARANTIEREGISTRATIE NODIG OM GARANTIE TE VERKRIJGEN OP BRIGGS & STRATTON PRODUCTEN. BEWAAR UW AANKOOPNOTA. INDIEN U GEEN BEWIJS VAN DE EERSTE AANKOOPDATUM KUNT OVERLEGGEN OP HET MOMENT DAT OM GARANTIESERVICE VERZOCHT WORDT, DAN ZAL DE FABRIKAGEDATUM VAN HET PRODUCT GEBRUIKT WORDEN OM DE GARANTIEPERIODE TE BEPALEN.**

## OVER UW MOTORGARANTIE

Briggs & Stratton verwelkomt garantiereparatie en verontschuldigt zich voor het ongemak. Elke geautoriseerde Service Dealer kan garantiereparaties uitvoeren. De meeste garantie zal routinematig afgehandeld worden, maar soms zijn verzoeken om garantieservice niet billijk. Garantie is bijvoorbeeld niet van toepassing indien de motorschade is ontstaan door misbruik, gebrek aan normaal onderhoud, transport, behandeling, opslag of verkeerde installatie. Evenzo is garantie niet meer geldig als het serienummer van de motor verwijderd is of wanneer de motor veranderd of gemodificeerd is.

Indien een klant het niet eens is met de beslissing van de Service Dealer, zal een onderzoek worden uitgevoerd om te bepalen of garantie van toepassing is. Vraag de Service Dealer om alle ondersteunende feiten naar de fabriek of diens vertegenwoordigende importeur te sturen voor onderzoek. Als de Importeur of de Fabriek besluit dat de claim gerechtvaardigd is, zal de klant volledig vergoed worden voor die onderdelen die defect zijn. Om misverstanden, zijn kunnen optreden tussen de klant en de Dealer, te voorkomen, zijn hieronder sommige oorzaken van motorstoring afgedrukt die de garantie niet dekt.

### Normale slijtage:

Motoren hebben, net als alle mechanische toestellen, periodiek service aan- en vervanging van onderdelen nodig om goed te presteren. Garantie zal niet de reparatie dekken wanneer normaal gebruik de levensduur van een onderdeel of een motor heeft uitgeput.

### Verkeerd onderhoud:

De levensduur van een motor is afhankelijk van de omstandigheden waaronder hij gebruikt wordt en de mate van zorg voor de motor. Motoren die gebruikt worden op bijvoorbeeld grondrezen, vuilwaterpompen of cirkelmaaiers moeten vaak werken onder zware- en vuile omstandigheden, die kunnen leiden tot wat lijkt op voortijdige slijtage. Zulke slijtage, indien veroorzaakt door vuil, stof, bougie reiniger of ander schurend materiaal dat de motor is binnengedrongen door verkeerd onderhoud, wordt niet door garantie gedekt.

**Deze garantie dekt uitsluitend aan de motor gerelateerde defecte materialen en/of bewerkingen, en niet vervanging of vergoeding van de machine waarop de motor gemonteerd kan zijn. Noch strekt de garantie zich uit tot reparaties die nodig zijn door:**

1. **PROBLEEM VEROORZAAKT DOOR ONDERDELEN DIE GEEN ORIGINELE BRIGGS & STRATTON ONDERDELEN ZIJN.**
2. Bedieningsonderdelen of -installaties van de machine waardoor de motor niet start, die slechte motorprestaties veroorzaken of de levensduur van de motor bekorten. (Neem contact op met de machinefabrikant.)
3. Lekkende carburateurs, verstopte brandstofpijpen, vastklevende kleppen, of andere schade, veroorzaakt door vervuilde- of verouderde brandstof. (Gebruik schone, verse, lood-vrije benzine en Briggs & Stratton Benzintoevoeging, Onderdeelnnummer 999005.)
4. Onderdelen die zijn ingelopen of gebroken doordat een motor was gebruikt met onvoldoende- of vervuilde smeerolie, of een verkeerde gradatie smeerolie (controleer het oliepeil dagelijks of na iedere 8 bedrijfsuren. Zonodig bijvullen en verversen na de aanbevolen intervallen.) OIL GARD® kan mogelijk een draaiende motor niet uitschakelen. Motorschade kan optreden wanneer de olie niet correct op peil gehouden wordt. Lees de Gebruiksaanwijzing.
5. Reparatie of afstelling van bijbehorende onderdelen en samenstellen zoals koppelingen, aandrijvingen, afstandbedieningen enz. die geen Briggs & Stratton fabrikaat zijn.
6. Schade of slijtage die veroorzaakt is door het binnendringen van vuil doordat het luchtfilter verkeerd is onderhouden of weergemonteerd, of wanneer een niet-origineel luchtfilterelement of -patroon wordt gebruikt. (Volgens de aanbevolen intervallen, het

schuimplastic "Oil-Foam®" element of het schuim voor-filter reinigen en in-oliën en de patroon vervangen.) Lees de Gebruiksaanwijzing.

7. Onderdelen die beschadigd zijn door over-toeren draaien of oververhitting veroorzaakt door gras, vuil of verontreinigingen, die de koelvinnen afichten of het vliegwiegelgedeelte verstopten, of veroorzaakt door het gebruik van de motor in een afgesloten ruimte zonder voldoende ventilatie. (Reinig de vinnen op de cilinder, cilinderkop en vlieg wiel volgens de aanbevolen intervallen.) Lees de Gebruiksaanwijzing.
8. Kapotte motor- of machine onderdelen als gevolg van uitzonderlijke trillingen, veroorzaakt door een losse motorbevestiging, een los maaiers, uit balans zijnde maaiers of losse- of ongebalanceerde aandrijvingen, een verkeerde aansluiting van de machine op de kruk van de motor, het over-toeren draaien of onjuiste behandeling tijdens gebruik.
9. Een kromme- of gebroken kruk als gevolg van het raken van een hard voorwerp door het maaiers van een motormaaier, of als gevolg van een overmatig gespannen V--snaar.
10. Normaal onder-houd of afstelling van de motor.
11. Defect raken van de motor of een motoronderdeel, zoals verbrandingskamer, kleppen, klepzittingen, klepleiders, of verbrande startmotorwikkelingen, veroorzaakt door het gebruik van alternatieve brandstoffen, zoals LPG, aardgas, veranderde benzines, etc.

**Garantie is alleen verkrijgbaar via servicedealers, die daarvoor door Briggs & Stratton Corporation of door de door haar aangewezen importeur zijn geautoriseerd. Uw dichtstbijzijnde geautoriseerde service dealer is te vinden in een door de Briggs & Stratton importeur verstrekte lijst of in de "Gouden Gids™", onder "Motoren, Benzine", "Benzinemotoren", "Gazonmaaiers," of een dergelijke categorie.**

| Briggs & Stratton Motoren Zijn Gemaakt Onder Eén Of Meer Van De Volgende Patenten: Design D-247.177 (Andere Patenten Aangevraagd) |           |           |           |           |           |           |           |           |           |              |
|---|-----------|-----------|-----------|-----------|-----------|-----------|-----------|-----------|-----------|--------------|
| 6,325,036   | 6,077,063 | 5,819,513 | 5,606,948 | 5,497,679 | 5,235,943 | 5,138,996 | 4,996,956 | 4,633,556 | 4,430,984 | DES. 308,871 |
| 6,284,123   | 6,064,027 | 5,813,384 | 5,606,851 | 5,320,795 | 5,197,425 | 5,086,890 | 4,977,879 | 4,630,498 |           | DES. 308,872 |
| 6,260,529   | 6,014,808 | 5,765,713 | 5,548,955 | 5,271,363 | 5,197,422 | 5,070,829 | 4,971,219 | 4,522,080 |           | DES. 309,457 |
| 6,230,678   | 5,894,715 | 5,645,025 | 5,546,901 | 5,269,713 | 5,191,864 | 5,058,544 | 4,895,119 | 4,520,288 |           | DES. 356,951 |
| 6,202,616   | 5,852,951 | 5,642,701 | 5,503,125 | 5,265,700 | 5,188,069 | 5,040,644 | 4,819,593 | 4,512,499 |           | DES. 361,771 |
| 6,116,212   | 5,823,153 | 5,619,845 | 5,501,203 | 5,243,878 | 5,186,142 | 5,009,208 | 4,719,682 | 4,453,507 |           | DES. 375,963 |



## Como consultar as figuras do manual

1 - 9 referem-se a figuras na parte interior da capa e contracapa.

1 - 19 referem-se a componentes do motor na Figura 1.

1 - 9 referem-se a uma peça/ação descrita nas figuras.

Registre aqui o modelo, tipo e números de código do motor, para referência futura.

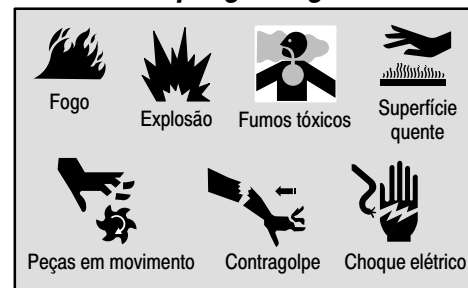
Registre aqui a data de compra, para referência futura.

## Componentes do motor

(ver Fig. 1)

- | ③ Motor | Modelo<br>xxxxxx  | Tipo<br>xxxx xx | Código<br>xxxxxxxx |
|---------|---|-----------------|--------------------|
| ①       | Maneta de partida   |                 |                    |
| ②       | Controle do acelerador  |                 |                    |
| ④       | Purificador de ar   |                 |                    |
| ⑤       | Controle do afogador  |                 |                    |
| ⑥       | Bocal de enchimento de combustível  |                 |                    |
| ⑦       | Interruptor de parada/Indicador de segurança Oil Gard®, quando assim equipado |                 |                    |
| ⑧       | Alojamento do ventilador  |                 |                    |
| ⑨       | Cabo de vela de ignição   |                 |                    |
| ⑩       | Bocal de enchimento/Vareta de nível de óleo                                   |                 |                    |
| ⑪       | Silencioso  |                 |                    |
| ⑫       | Retentor de faíscas, quando assim equipado                                    |                 |                    |
| ⑬       | Bujão de drenagem   |                 |                    |
| ⑭       | Bocal de enchimento de óleo   |                 |                    |
| ⑮       | Partida elétrica de 12V, quando assim equipado                                |                 |                    |
| ⑯       | Válvula de fechamento de combustível, quando assim equipado.                  |                 |                    |

## Símbolos de perigo e significados



## Símbolos internacionais e seus significados



## Medidas de segurança

### ANTES DE UTILIZAR O MOTOR

- Leia todas as instruções de operação e de manutenção e as instruções relativas ao equipamento que este motor alimenta.\*
- O não cumprimento das instruções poderá resultar em ferimentos graves ou morte.

### AS INSTRUÇÕES DE OPERAÇÃO E DE MANUTENÇÃO CONTÊM INFORMAÇÕES DE SEGURANÇA PARA

- Alertá-lo sobre perigos associados a motores
- Informá-lo sobre o risco de ferimentos associados a estes perigos, e
- Indicar-lhe a forma de evitar ou de reduzir o risco de ferimentos.

\* A Briggs & Stratton não sabe necessariamente qual o equipamento que este motor irá alimentar. Por essa razão, você deve ler cuidadosamente e compreender bem as instruções de operação do equipamento no qual o motor está instalado.

O símbolo de aviso de segurança é usado para identificar informações de segurança relativas a perigos que poderão resultar em ferimentos pessoais.

É utilizada uma palavra (PERIGO, AVISO ou CUIDADO) com o símbolo de aviso para indicar a probabilidade e potencial gravidade do ferimento. Além disso, poderá ser utilizado um símbolo de perigo para assinalar o tipo de perigo.

**PERIGO** indica um perigo que, se não for evitado, resultará em morte ou ferimentos graves.

**AVISO** indica um perigo que, se não for evitado, poderá resultar em morte ou ferimentos graves.

**CUIDADO** indica um perigo que, se não for evitado, poderá resultar em ferimentos ligeiros ou moderados.

**CUIDADO**, quando utilizado **sem** o símbolo de aviso, indica uma situação que **poderá resultar em danos no motor**.



**AVISO**



A exaustão do motor deste produto contém produtos químicos conhecidos no Estado da Califórnia como causadores de câncer, defeitos congênitos ou outros problemas associados à reprodução humana.



**AVISO**



A gasolina e seus vapores são extremamente inflamáveis e explosivos.

O fogo ou uma explosão poderão provocar graves queimaduras ou morte.

#### QUANDO ACRESCENTAR COMBUSTÍVEL

- Desligue o motor (OFF) e deixe-o esfriar pelo menos 2 minutos antes de retirar o tampão do tanque de combustível.
- Abasteça o tanque em área aberta ou bem ventilada.
- Não encha demais o tanque. Abasteça até cerca de 25-12 mm (1-1/2 polegadas) abaixo do topo do bocal para permitir a expansão do combustível.
- Mantenha a gasolina afastada de faíscas, chamas desprotegidas, luzes piloto, calor e outras fontes de ignição.
- Verifique frequentemente as tubulações de combustível, o tanque, o tampão e as conexões quanto a rachaduras ou vazamentos. Substitua, se necessário.

#### QUANDO DER PARTIDA NO MOTOR

- Certifique-se de que a vela de ignição, o silencioso, o tampão do tanque de combustível e o purificador de ar se encontram cada um no seu lugar.
- Não acione o motor com a vela de ignição retirada.
- Se derramou combustível, espere até que evapore antes de acionar o motor.
- Se o motor estiver afogado, coloque o afogador na posição OPEN/RUN (aberto/em funcionamento), coloque o acelerador na posição "FAST" (rápido) e acione até que o motor arranque.

#### QUANDO OPERAR O EQUIPAMENTO

- Não incline o motor ou o equipamento para um ângulo que poderá provocar o derramamento de gasolina.
- Não afogue o carburador para parar o motor.

#### QUANDO TRANSPORTAR O EQUIPAMENTO

- Transporte com o tanque de combustível VAZIO ou com a válvula de fechamento de combustível desligada (OFF).

#### QUANDO ARMAZENAR GASOLINA OU EQUIPAMENTO COM COMBUSTÍVEL NO TANQUE

- Guarde longe de fomalhas, fogões, aquecedores de água ou outros aparelhos que tenham uma luz piloto ou outra fonte de ignição, uma vez que poderão incendiar os vapores do combustível.



**AVISO**



Acionar o motor produz faiscamento.

As faíscas poderão incendiar os gases inflamáveis que se encontram na área.

Poderá verificar-se explosão e fogo.

- Se tiver conhecimento de algum vazamento de gás natural ou de petróleo líquido na área, não dê a partida do motor.
- Não utilize fluidos de acionamento pressurizados, porque os vapores são inflamáveis.



**AVISO**



Os motores libertam monóxido de carbono, um gás tóxico inodoro e incolor.

Respirar monóxido de carbono poderá provocar náuseas, desmaios ou morte.

- Dê a partida e faça funcionar o motor no exterior.
- Não acione nem faça funcionar o motor em áreas fechadas, mesmo que as janelas ou as portas estejam abertas.



**AVISO**



O faiscamento não intencional poderá resultar em fogo ou choque elétrico.

O acionamento não intencional poderá resultar em emaranhamento, amputação traumática ou laceração.

#### ANTES DE REALIZAR AJUSTES OU REPAROS

- Desligue o cabo da vela de ignição e mantenha-o afastado da vela.
- Desligue a bateria, no terminal negativo (apenas motores com partida elétrica).

#### QUANDO FIZER TESTE DE FAÍSCAS

- Use um verificador de velas de ignição aprovado.
- Não faça a verificação de faíscas com a vela de ignição retirada.



**AVISO**



O funcionamento dos motores produz calor. As peças do motor, especialmente o silencioso, ficam extremamente quentes.

Poderão ocorrer graves queimaduras térmicas com o contato.

Os resíduos combustíveis, tais como folhas, grama, galhos, etc. poderão incendiar-se.

- Deixe o silencioso, o cilindro do motor e as aletas esfriarem antes de tocar neles.
- Retire os resíduos combustíveis acumulados na área do silencioso e cilindro.
- Instale e mantenha em condição de funcionamento um retentor de faíscas, antes de utilizar o equipamento em solo não cultivado, coberto de mata. O estado da Califórnia exige isso (Seção 4442 da lei de recursos públicos da Califórnia). Os outros estados poderão ter leis similares. As leis federais aplicam-se a territórios federais.



**AVISO**



As peças rotativas poderão entrar em contato ou prender mãos, pés, cabelo, vestuário ou acessórios.

Isto poderá resultar em amputação traumática ou grave laceração.

- Opere o equipamento com as proteções no devido lugar.
- Mantenha mãos e pés afastados das peças rotativas.
- Se tiver cabelo longo ou usar jóias, prenda o cabelo e retire as jóias.
- Não use roupa solta, cordões pendentes ou itens que poderão ficar presos.



**AVISO**



A rápida retração da corda da partida (contragolpe) puxará a mão e o braço em direção ao motor mais rapidamente do que você a poderia soltar.

Isto poderá resultar em ossos quebrados, fraturas, contusões ou entorses.

- Quando acionar o motor, puxe a corda lentamente até sentir resistência, a seguir puxe rapidamente.
- Retire todas as cargas sobre o motor/equipamento externo antes de dar a partida.
- Os componentes do equipamento diretamente conectados - como lâminas, impulsores, polias, dentes de roda, etc., porém não apenas estes - devem estar seguramente fixados.

## Recomendações de Óleo (ver Fig. [2])

O motor é expedito da Briggs & Stratton **sem** óleo. **Antes de ligar o motor, encha com óleo. Não deixe transbordar.**

Use um óleo detergente de alta qualidade classificado "Para utilização SF, SG, SH, SJ" ou mais avançado, como, por exemplo, o 30W, referência 100005 (568 cm<sup>3</sup>) ou 100028 (1363 cm<sup>3</sup>) da Briggs & Stratton. Não use aditivos especiais com óleos recomendados. Não misture óleo com gasolina.

Escolha o grau de viscosidade SAE do óleo através deste gráfico, consoante a temperatura de partida prevista antes da próxima troca de óleo.



**Nota:** O óleo sintético de acordo com a marca de certificação API, ILSAC GF-2 e o símbolo de serviço API (mostrado à esquerda) com "SJ/CF ENERGY CONSERVING" ou superior, é um óleo aceitável em todas as temperaturas. **A utilização de óleo sintético não altera os intervalos de mudança de óleo necessários.**

- \* Os motores esfriados a ar aquecem mais do que os motores automotivos. O uso de óleos multi-viscosidade não sintéticos (5W-30, 10W-30, etc.) em temperaturas acima dos 4° C (40° F) resultará num maior consumo de óleo do que o normal. Quando usar um óleo multi-viscosidade, verifique mais frequentemente o nível do óleo.
- \*\* O óleo SAE 30, quando utilizado a temperaturas inferiores a 4° C, provocará uma partida difícil do motor e possíveis danos no cilindro devido a lubrificação inadequada.

**Verifique o nível de óleo.** A capacidade de óleo da Série de Modelos é de cerca de:

1,3 l para os Modelos 170000 e 190000.

1,4 l para o Modelo 250000.

Coloque o motor em plano horizontal e limpe em redor do bocal de abastecimento de óleo ①.

Retire a vareta de nível do óleo ②, limpe com um pano limpo, volte a colocá-la e a apertá-la. Retire a vareta de nível e verifique o nível do óleo. O óleo deve chegar à marca FULL (cheio). Caso seja necessário, adicione óleo lentamente. Não deixe transbordar.

OU

Retire o bocal de enchimento de óleo ③. O óleo deve ficar quase a transbordar ④.

Aperte bem a vareta de nível ou o bujão de enchimento de óleo antes de dar a partida.

## Recomendações de combustível

Use gasolina limpa, fresca e **sem chumbo** com um mínimo de 77 de octanas. Pode ser usada gasolina com chumbo caso não esteja comercializada gasolina sem chumbo. Compre combustível na quantidade que preveja ser necessária para 30 dias. Ver **Armazenagem**.

Não use gasolina que contenha metanol. Não misture óleo com gasolina.

Para proteção do motor, recomendamos a utilização do Estabilizador de Combustível Briggs & Stratton, que pode ser obtido em qualquer Centro de Serviço Autorizado Briggs & Stratton.

## Verifique o nível de combustível



Antes de reabastecer, deixe o motor arrefecer durante 2 minutos.

Limpe em volta do bocal de enchimento de combustível antes de remover o tampão para reabastecer. Abasteça até cerca de 25-12 mm (1-1/2 polegadas) abaixo do topo do bocal para permitir a expansão do combustível. Tenha cuidado para não deixar transbordar.

## Partida (ver Figs. [3] [4])



MANTENHA SEMPRE AS MÃOS E OS PÉS LONGE DAS PEÇAS EM MOVIMENTO DO EQUIPAMENTO.



Não utilize um fluido de acionamento pressurizado. Os vapores são inflamáveis.

Dê a partida, armazene e abasteça de combustível o equipamento numa posição plana.

Verifique o nível do óleo.

Abra a válvula de fechamento de combustível, quando assim equipado.

**CUIDADO:** O indicador de segurança OIL GARD®,

quando assim equipado, (ver ⑦ fig. [1]) serve para evitar a partida de um motor com pouco óleo. O indicador de segurança OIL GARD® poderá não desativar um motor em funcionamento. Poderão ocorrer danos se o nível de óleo não for corretamente mantido e a cobertura da garantia perderá a sua validade. Verifique sempre o nível do óleo antes de dar a partida no motor. Se o motor estiver equipado com um indicador de segurança OIL GARD® e começar a ficar sem óleo, uma luz no motor dará um aviso de que o nível de óleo está baixo. Se a luz ficar intermitente e não for possível acionar o motor, ou este tenha parado e você não consiga ligá-lo de novo, adicione óleo. Encha até ao ponto de transbordamento no tampão do bocal de enchimento ou até à marca FULL (cheio) na vareta de nível. Não deixe transbordar.

## Antes da partida (ver Fig. [3])

1. Desloque o controle do afogador ① para a posição CHOKE (afogar).
2. Mova o controle do acelerador ② para a posição FAST (rápido), quando assim equipado.
3. Ligue a válvula de fechamento de combustível ③, quando assim equipado.
4. Mova o controle de parada ④ para a posição ON (ligado), quando assim equipado.

Nota: Se o motor estiver equipado com um indicador de segurança Oil Gard®, uma luz intermitente no interruptor ④ de parada oscilante é um aviso de que o nível de óleo está baixo ou que o motor irá parar e não voltará a pegar. Adicione óleo. Encha até à marca FULL (cheio) na vareta de nível (não encha demais) ou até transbordar no bujão de abastecimento de óleo.

## Partida retrátil (ver Fig. [4])



Segure na maneta de partida e puxe lentamente até sentir resistência. Depois puxe a corda rapidamente para vencer a compressão, evitar o contragolpe e dar a partida do motor. Repita se necessário com o afogador na posição RUN (em funcionamento) e o acelerador na posição FAST (rápido). Quando o motor der a partida, opere-o na posição FAST.

## Partida elétrica (ver Fig. [4])

Em motores equipados com sistemas de partida de 12 volt, rode a chave para a posição START (partida) ① ou pressione o botão de partida ②. Repita, se necessário, com o afogador na posição RUN (em funcionamento) e com o controle do acelerador na posição FAST (rápido). Quando o motor der a partida, opere-o na posição FAST.

Nota: Se o fabricante do equipamento tiver fornecido a bateria, carregue-a antes de tentar dar a partida do motor, conforme recomendado pelo fabricante.

Nota: Use ciclos de partida curtos (15 segundos/ minuto) a fim de permitir uma maior vida útil do motor de partida. O acionamento prolongado poderá danificar o motor de partida.

## A fim de parar o motor (ver Fig. [5])

Não mova o controle do afogador para a posição CHOKE (afogar) quando desejar parar o motor. Poderá ocorrer contra-exploração ou danos no motor. Desloque o controle do acelerador para a posição IDLE (sem carga) ou SLOW (lento) ①, quando assim equipado. Depois rode a chave para a posição OFF (desligado) ou desloque o controle de parada para a posição STOP (parar) ②. Feche a válvula de fechamento do combustível ③.

Nota: Retire sempre a chave do interruptor quando o equipamento for deixado sozinho ou não estiver a ser utilizado

Nota: Ao transportar o motor, feche a válvula de fechamento de combustível, a fim de evitar vazamentos.

## Ajustagens (ver Fig. [6])



A fim de evitar partida accidental, retire o cabo da vela de ignição ①,

ligue-o à terra antes de ajustar e desligue a bateria, no terminal negativo, quando assim equipado.

## Ajustes do controle do acelerador (ver Fig. [6])

### Controle manual

Desaperte ou aperte a porca borboleta ② na placa de controle até o controle do acelerador ③ se mover com alguma resistência e permanecer na posição desejada com o motor em funcionamento.

### Controle remoto

Desaperte o parafuso do fixador do revestimento ④. Desloque o revestimento e o cabo ⑤ na direção da seta até à posição máxima. Desloque o controle do acelerador para a posição FAST (rápido). Aperte o parafuso do fixador do revestimento.

### Controle do governador fixo

O parafuso de ajuste de velocidade máxima ⑥ foi previamente regulado na fábrica conforme especificado pelo fabricante do equipamento. NÃO O AJUSTE. Se for necessária qualquer ajuste, consulte um Centro de Serviço Autorizado da Briggs & Stratton.

## Ajuste do carburador



O fabricante do equipamento em que este motor é instalado fornece indicações quanto à velocidade máxima a que o motor pode ser operado. NÃO EXCEDA essa velocidade.

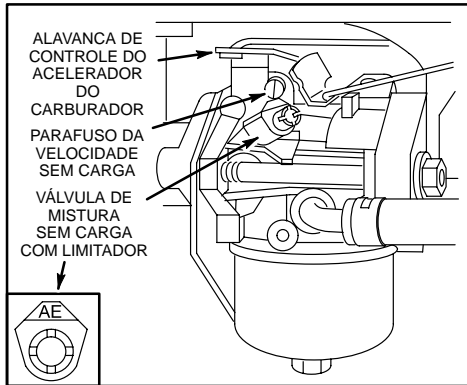
Consulte um Centro de Serviço Autorizado da Briggs & Stratton para ajuste do carburador.

Dê a partida do motor e deixe-o aquecer durante cerca de 5 minutos antes de ajustar. Com o motor em funcionamento, coloque o controle do acelerador na

posição SLOW (lento). Gire a alavanca de controle do acelerador do carburador e segure-a contra o parafuso da velocidade sem carga. Depois rode este parafuso até 1750 rpm.

Gire a válvula de mistura sem carga totalmente no sentido dos ponteiros do relógio e depois no sentido contrário. Finalmente, posicione a válvula de mistura sem carga no meio. Verifique a velocidade sem carga e reajuste para 1750 rpm, caso seja necessário.

Movimente o controle do acelerador para a posição "FAST" (rápido). O motor deverá acelerar suavemente. Se tal não acontecer, reajuste a válvula de mistura sem carga 1/8 de volta no sentido contrário ao dos ponteiros do relógio.



## Manutenção (ver Figs. 7, 8, 9)

Consulte o Programa de Manutenção. Siga os intervalos indicados em horas ou estações, conforme o que ocorrer primeiro. De salientar que se tornam necessárias manutenções mais frequentes quando o motor opera em condições adversas.



A fim de evitar uma partida acidental, retire o cabo da vela de ignição 1 e ligue-o à terra antes de efetuar a manutenção. e desligue a bateria, no terminal negativo, quando assim equipado.

### Verificação do óleo (ver Fig. 7)

Verifique o nível de óleo regularmente. Certifique-se que o nível de óleo seja mantido. Verifique após cada 5 horas ou diariamente, antes de ligar o motor. Consulte o procedimento de enchimento de óleo em **Recomendações de Óleo**.

### Troque o óleo

Troque o óleo após as primeiras 5 horas de operação. Troque o óleo enquanto o motor estiver quente. Reabasteça com óleo novo com o grau de viscosidade SAE recomendado (ver Fig. 2).

### Engrenagem de redução, quando assim equipado

Retire o bujão de enchimento de óleo 2 e o bujão de nível de óleo 3. Drene o óleo após cada 100 horas de operação ou em cada estação. Para reabastecer, deite óleo SAE 30 para dentro do furo de enchimento de óleo até ficar ao nível do furo de verificação de nível. Volte a colocar ambos os bujões. O bujão de enchimento de óleo tem um furo de respiro 4 e deve ser instalado por cima da tampa da caixa de engrenagens.

### Manutenção do purificador de ar (ver Fig. 8)

Substitua o pré-purificador 2, e/ou cartucho 3 se este estiver muito sujo ou danificado.

1. Desaperte os parafusos. Depois retire a tampa e o conjunto do purificador de ar da respectiva base.
2. Retire o conjunto do purificador de ar de dentro da tampa e desmonte-o.

Para efetuar a manutenção do pré-purificador, lave com detergente líquido e água. Esprema num pano limpo até ficar seco. Sature de óleo de motor. Esprema num pano limpo e absorvente a fim de remover TODO O EXCESSO de óleo.

Para efetuar a manutenção do cartucho, limpe-o batendo suavemente contra uma superfície lisa. Não use solventes de petróleo, por exemplo, querosene, que poderão fazer com que o cartucho se deteriore. Não use ar pressurizado, que pode danificar o cartucho. Não lubrifique o cartucho.

3. Instale na tampa o retentor 4, o pré-purificador (com o lado da tela do pré-purificador virado para as dobras do cartucho) e o cartucho.
4. Introduza as linguetas 5 da tampa nos encaixes 6 da base. Aperte bem os parafusos da tampa.

### Manutenção da vela de ignição (ver Fig. 8)



NÃO verifique se existem faíscas com a vela de ignição retirada. Utilize apenas o Analisador de Faíscas Briggs & Stratton 6, para verificar se existem faíscas. NÃO acione o motor com a vela de ignição retirada. Se o motor estiver atogado, coloque o acelerador na posição "FAST" (rápido) e acione até que o motor arranque.

A folga da vela de ignição 7 deve ser de 0,76 mm ou 0,030 polegadas.

Limpe/substitua a vela de ignição após cada 100 horas de operação ou em cada estação, conforme o que ocorrer primeiro. Poderá obter um analisador de faíscas e uma chave de velas de ignição em qualquer Centro de Serviço Autorizado Briggs & Stratton.

Nota: Nos Modelos da Série 19E400, 19F400, 19G400, os motores utilizam apenas a vela de ignição com a Referência 496018. Nos Modelos da Série 192400, 196400, 197400, 250400, 256400, 257400, os motores utilizam uma vela de ignição de origem, Ref. 492167 ou vela de ignição com resistência interna (resistor), Ref. 802592, conforme o que for mais indicado.

Nota: Em algumas áreas, a legislação local exige a utilização de uma vela de ignição com resistência interna (resistor) para suprimir os sinais de ignição. Se este motor tiver sido originalmente equipado com uma vela desse tipo, use o mesmo tipo de vela de ignição na substituição.

### Mantenha o motor limpo (ver Fig. 9)

Limpe periodicamente a grama e o acúmulo de aparas de palha do motor. Não limpe o motor com jato de água, porque a água poderá contaminar o combustível. Limpe com uma escova ou ar comprimido.



A acumulação de resíduos em redor do silencioso 2 poderá provocar um fogo. Inspeção e limpe antes de cada utilização.

Se o silencioso estiver equipado com um retentor de faíscas 3, retire-o para limpeza e inspeção após cada 50 horas de operação ou em cada estação. Substitua caso se encontre danificado.

A fim de garantir uma operação suave, mantenha a ligação do governador, as molas e os controles 4 livres de resíduos.



Substitua o filtro de combustível em linha 5. Drene o tanque de combustível ou feche a válvula de fechamento de combustível ante o filtro de combustível.

Limpe o sistema de arrefecimento. Grama ou palha podem entupir o sistema de arrefecimento do motor,

especialmente após trabalhos prolongados. As superfícies e aletas internas de arrefecimento poderão necessitar de ser limpas a fim de evitar superaquecimento e avarias no motor. Retire o alojamento do ventilador e limpe conforme mostrado 6.

## Programa de manutenção

Siga os intervalos indicados em horas ou estações, conforme o que ocorrer primeiro. Salientamos que se tornam necessárias manutenções mais frequentes quando o motor opera nas condições adversas indicadas abaixo.

### Primeiras 5 horas

- Trocar o óleo

### Após cada 5 horas ou diariamente

- Verificar o nível do óleo
- Limpe em redor do silencioso, molas e ligações

### Após cada 25 horas ou em cada estação

- Trocar o óleo, quando a operar sob carga pesada ou a elevada temperatura ambiente
- Efetuar a manutenção do pré-purificador de ar\*

### Após cada 50 horas ou em cada estação

- Trocar o óleo
- Limpar e inspecionar retentor de faíscas, quando assim equipado

### Após cada 100 horas ou em cada estação

- Efetuar manutenção do purificador do cartucho do purificador de ar\*
- Substituir o filtro de combustível em linha, quando assim equipado
- Substituir/limpar vela de ignição
- Troque o óleo da engrenagem de redução, quando assim equipado.
- Limpar o sistema de arrefecimento\*

\* Limpar com maior frequência quando submetido a poeiras e quando há resíduos ou aparas no ar.

### Lista parcial de peças genuínas Briggs & Stratton (ou equivalente)

| Peça  | Referência       |
|---|------------------|
| Óleo (568 cm <sup>3</sup> )   | 100005           |
| Óleo (1363 cm <sup>3</sup> )  | 100028           |
| Kit de bomba de óleo (utiliza broca elétrica normal para retirar o óleo do motor rapidamente)               | 5056             |
| Estabilizador de combustível (28,4 cm <sup>3</sup> , bolsa de uma só utilização de 30 ml)                   | 992030           |
| Estabilizador de combustível (119,3 cm <sup>3</sup> , frasco de 125 ml)                                     | 999005E (5041)   |
| Filtro de combustível (sem bomba de combustível)  | 298090 (5018)    |
| Filtro de combustível (com bomba de combustível)  | 394358 ou 493629 |
| Cartucho do purificador de ar   | 492889           |
| Pré-purificador de ar   | 496077           |
| Vela de ignição com resistência interna (resistor) (modelos 19E400, 19F400, 19G400)                         | 496018E          |
| Vela de ignição de platina de longa duração (modelos 19E400, 19F400, 19G400)                                | 5066             |
| Vela de ignição com resistência interna (resistor) (modelos 192400, 196400, 197400, 250400, 256400, 257400) | 802592E          |
| Vela de ignição normal (modelos 192400, 196400, 197400, 250400, 256400, 257400)                             | 492167           |
| Vela de ignição de platina de longa duração (modelos 192400, 196400, 197400, 250400, 256400, 257400)        | 992041 (5062)    |
| Analisador de faíscas   | 19368            |
| Chave de velas de ignição   | 89838 (5023)     |
| Retentor de faíscas   | 399541 ou 392390 |

## Armazenagem

Os motores armazenados durante mais de 30 dias devem ser protegidos ou ser retirado todo o combustível a fim de evitar a formação de depósitos gomosos no sistema de combustível ou em componentes essenciais do carburador.

Para proteção do motor, recomendamos a utilização do Estabilizador de Combustível Briggs & Stratton, que pode ser obtido em qualquer Centro de Serviço Autorizado Briggs & Stratton. Misture o estabilizador com o combustível no tanque de combustível ou no recipiente de armazenagem. Mantenha o motor a trabalhar durante um curto espaço de tempo a fim de permitir a circulação do estabilizador através do carburador. O motor e o combustível podem ser armazenados por períodos que poderão ir até 24 meses.

Nota: Se não for usado estabilizador ou se o motor estiver a funcionar com gasolina que contenha álcool, retire todo o combustível do tanque e deixe o motor trabalhar até parar por falta de combustível.

1. Troque o óleo. Ver **Verificação de óleo** (ver Figs. [2] [7]).
2. Retire a vela de ignição e verta cerca de 30 ml de óleo de motor no cilindro. Recoloque a vela de ignição e gire lentamente o motor para distribuir o óleo.
3. Limpe as aparas de palha e resíduos do cilindro, das aletas do cabeçote, debaixo do protetor de dedos e por detrás do silencioso.
4. Guarde o equipamento num local limpo e seco, mas NÃO perto de um fogão, fornalha ou aquecedor de água que utilize um acendedor piloto ou qualquer dispositivo que possa provocar uma faísca.


## Manutenção

Contate um Centro de Serviço Autorizado Briggs & Stratton. Todos têm um estoque de Peças Genuínas Briggs & Stratton e estão equipados com ferramentas especiais. Mecânicos treinados asseguram a qualidade do conserto em todos os motores Briggs & Stratton. Só aos representantes que anunciem ser "Autorizados pela Briggs & Stratton" poderá ser exigido o cumprimento das normas da Briggs & Stratton.

Ao adquirir equipamento acionado por um motor Briggs & Stratton, você se beneficia com a garantia de um serviço confiável, altamente qualificado em mais de 30 000 Centros de Serviço Autorizados em todo o mundo, incluindo mais do que 5 000 técnicos de serviço experientes. Procure estes sinais sempre que lhe oferecem serviços Briggs & Stratton.



Poderá localizar o seu Centro de Serviço Autorizado Briggs & Stratton mais próximo no nosso mapa de localização de centros de serviço do nosso website

 [www.briggsandstratton.com](http://www.briggsandstratton.com) ou nas "Páginas Amarelas™" sob as categorias "Motores, Gasolina", "Motores a Gasolina", "Cortadores de Grama" ou uma categoria similar.

Nota: O logotipo e a designação das "Páginas Amarelas™" são marcas registadas em várias jurisdições.

O manual técnico aqui ilustrado inclui "Teorias de Operação", especificações comuns e informações pormenorizadas que cobrem ajuste, regulação e reparo dos motores monocilíndricos com cabeçote em L, de 4 tempos da Briggs & Stratton. Poderá encomendá-lo em qualquer Centro de Serviço Autorizado da Briggs & Stratton com a referência P/N 270962.

Insista em comprar peças genuínas de reposição Briggs & Stratton com o nosso logotipo inscrito na caixa e/ou na peça. As peças que não sejam originais poderão não funcionar tão bem e poderão também invalidar a sua garantia.

# CERTIFICADO DE GARANTIA DO PROPRIETÁRIO BRIGGS & STRATTON

Válido a partir de 1 de Janeiro de 2003, substitui todas as garantias não datadas ou com datas anteriores a 1 de Janeiro de 2003.

## GARANTIA LIMITADA

A Briggs & Stratton Corporation reparará ou substituirá, gratuitamente, qualquer componente (ou componentes) do motor que estejam defeituosos em material ou em mão-de-obra ou em ambos. Todos os custos de transporte dos componentes submetidos para reparo ou substituição, a cobertura desta Garantia, ficarão a cargo do comprador. Esta garantia está em vigor durante os períodos de tempo e sujeita às condições estabelecidas abaixo. Para assistência há cobertura da garantia, localize o Centro de Serviço Autorizado Briggs & Stratton mais próximo, no mapa de localização de centros de serviço a través do site da Web [www.briggsandstratton.com](http://www.briggsandstratton.com) ou ligando para 1-800-233-3723, ou conforme está listado nas "Páginas Amarelas™".

NÃO HÁ OUTRA GARANTIA EXPRESSA. AS GARANTIAS IMPLÍCITAS, INCLUINDO AQUELAS DE COMERCIALIZAÇÃO E ADEQUAÇÃO PARA UM DETERMINADO FIM, SÃO LIMITADAS AO PERÍODO DE UM ANO A PARTIR DA DATA DA COMPRA, OU PELO TEMPO PERMITIDO POR LEI. TODA E QUALQUER GARANTIA IMPLÍCITA ESTÁ EXCLUÍDA. A RESPONSABILIDADE POR DANOS CONSEQUENCIAIS OU INCIDENTAIS SOB TODA E QUALQUER GARANTIA ESTÁ EXCLUÍDA NA EXTENSÃO PERMITIDA POR LEI. Alguns países ou estados não permitem limitações no tempo de duração de garantias implícitas, e outros países ou estados não permitem exclusão ou limitação de danos consequenciais ou acidentais, portanto a limitação e exclusão acima podem não se aplicar. Esta garantia dá direitos legais específicos e o consumidor pode também ter outros direitos que variam de país para país ou de estado para estado.

## NOSSOS PRODUTOS

|                  |   |   |                 |              |
|------------------|---|---|-----------------|--------------|
| <b>VANGUARD™</b> | <b>ELS™</b><br><b>I/C®</b><br><b>Industrial Plus™</b><br><b>Intek™</b><br>(Sleeve Bore) | <b>Fource™</b><br><b>Intek™</b> (Kool Bore)<br><b>Power Built™ OHV</b><br><b>QUANTUM®</b><br><b>Quattro™</b><br><b>Q45™</b><br><b>Sprint™</b> | <b>Classic™</b> | <b>Etek™</b> |
|------------------|---|---|-----------------|--------------|

## PERÍODO DE GARANTIA\*

|                    |        |        |         |         |       |
|--------------------|--------|--------|---------|---------|-------|
| Uso por Consumidor | 2 anos | 2 anos | 2 anos  | 1 ano   | 1 ano |
| Uso Comercial      |        | 1 ano  | 90 dias | 90 dias |       |

\* **Observe os seguintes períodos especiais de garantia:** 2 anos para motores Classic™ nos países da União Européia e do Leste Europeu, para todos os produtos para consumidores na União Européia, e para sistemas de controle de emissão em motores certificados pela EPA e CARB. 5 anos para uso por consumidores, 90 dias para uso comercial do motor de arranque Touch-N-Mow® em motores Quantum® e Intek™. **Os motores usados em competições automobilísticas ou pistas comerciais ou de aluguel não têm garantia.**

O período de garantia inicia-se na data de compra pelo primeiro consumidor ou usuário final comercial e é mantido pelo período de tempo mencionado na tabela acima. "Uso por consumidor" significa um uso pessoal residencial por um consumidor de varejo. "Uso comercial" significa todos os outros usos, incluindo uso para propósitos comerciais de produção de renda ou de aluguel. Uma vez tendo sido usado comercialmente, o motor será posteriormente considerado de uso comercial para os propósitos desta garantia.

**NÃO É NECESSÁRIO REGISTRO DE GARANTIA PARA OBTENÇÃO DE GARANTIA DE PRODUTOS BRIGGS & STRATTON. GUARDE O RECIBO DE COMPRA. SE NÃO FORNECER PROVA DA DATA DE COMPRA INICIAL QUANDO FOR REQUISITADO SERVIÇO AO ABRIGO DA GARANTIA, SERÁ USADA A DATA DE FABRICAÇÃO DO PRODUTO PARA DETERMINAR O PERÍODO DA GARANTIA. NÃO É NECESSÁRIO ADQUIRIR QUALQUER CARTÃO DE REGISTRO DE GARANTIA.**

## SOBRE A GARANTIA DE SEU MOTOR

A Briggs & Stratton aceita com agrado a oportunidade de efetuar reparos de cobertura da garantia e pede-lhe desculpa pelos inconvenientes que tal lhe possa ter causado. Qualquer Centro de Serviço Autorizado pode efetuar reparos de cobertura da garantia. A maior parte deles são tratados rotineiramente, mas por vezes os pedidos de reparo poderão não parecer justificados. Por exemplo, a garantia não abrange avarias no motor decorrentes de utilização incorreta, falta de manutenção de rotina, embarque, manuseamento, armazenagem ou instalação incorretos. De igual forma, a garantia fica invalidada caso tenha sido retirado o número de série do motor ou caso o motor tenha sido alterado ou modificado. Caso um cliente não concorde com a decisão do Centro de Serviço, será realizada uma investigação para determinar a aplicabilidade da garantia. Peça ao Centro de Serviço que apresente todos os fatos comprobatórios ao seu Distribuidor ou à Fábrica, para revisão. Se o Distribuidor ou a Fábrica decidir que a reclamação é justificada, o cliente será totalmente reembolsado relativamente aos itens aceites como defeituosos. Para evitar equívocos que possam eventualmente ocorrer entre o cliente e o Centro de Serviço, descrevemos abaixo algumas das causas de falha dos motores que não estão cobertas pela garantia.

### Desgaste normal:

Para trabalharem bem, os motores, como todos os outros dispositivos mecânicos, precisam periodicamente de manutenção e reposição de peças. A garantia não cobrirá reparos se a utilização de uma peça ou de um motor que tiver ultrapassado sua vida útil.

### Manutenção inadequada:

A vida útil de um motor depende das condições em que é utilizado e dos cuidados que recebe. Algumas aplicações, tais como picadores de forragem, bombas e cortadores de grama, são muitas vezes utilizadas em condições em que estão sujeitas a poeiras e sujeira, que podem causar um aparente desgaste prematuro. Tal desgaste não está coberto pela garantia, quando causado pela penetração no motor de impurezas,

pó, resíduos de limpeza das velas ou qualquer outro material abrasivo, decorrente de uma manutenção incorreta.

**Esta garantia cobre somente material e/ou mão-de-obra defeituosos relacionados com o motor e não a substituição ou reembolso do equipamento em que o motor possa estar montado. Além disso, a garantia também não cobre reparos devidos a:**

1. **PROBLEMAS CAUSADOS POR PEÇAS QUE NÃO SEJAM PEÇAS ORIGINAIS BRIGGS & STRATTON.**
2. Controles de equipamentos ou instalações que impeçam a partida, provocando um desempenho insatisfatório do motor ou a redução da vida útil do motor. (Contate o fabricante do equipamento.)
3. Carburadores com vazamentos, tubos de combustível entupidos, válvulas coladas ou outras avarias causadas pela utilização de combustível contaminado ou envelhecido. (Utilize gasolina limpa, nova, sem chumbo e o Estabilizador de Combustível da Briggs & Stratton, Referência No. 5041.)
4. Peças riscadas ou quebradas resultantes da utilização do motor com óleo contaminado ou insuficiente ou de um óleo de grau incorreto (verifique o nível do óleo diariamente ou após cada 8 horas de funcionamento. Reabasteça sempre que necessário e troque nos intervalos recomendados.) O indicador de segurança OIL GARD® poderá não se desligar durante o funcionamento do motor. O motor poderá ficar danificado se o nível do óleo não for corretamente mantido. Leia as instruções de operação e de manutenção.
5. O reparo ou ajuste de componentes associados ou de conjuntos, tais como embreagens, transmissões, controles à distância, etc., que não sejam de fabricação da Briggs & Stratton.
6. Avaria ou desgaste de componentes devido à penetração de impurezas no motor, decorrente de manutenção ou remontagem inadequada do purificador de ar, ou da utilização de um elemento

ou cartucho de purificador de ar que não seja original. (A intervalos recomendados, limpe e lubrifique o elemento Oil-Foam® ou o pré-purificador de espuma e substitua o cartucho.) Leia as instruções de operação e de manutenção.

7. Componentes danificados devido a sobrevelocidade ou a superaquecimento causado por grama, areias ou sujeira que tapem ou entupam as aletas de arrefecimento ou a área do volante, ou devido à utilização do motor numa área confinada sem ventilação suficiente. (Limpe as aletas do cilindro, o cabeçote e o volante a intervalos recomendados.) Leia as instruções de operação e de manutenção.
8. Componentes do motor ou do equipamento quebrados devido a vibração excessiva provocada por montagem frouxa do motor, lâminas cortantes frouxas, pás desbalanceadas ou impulsores frouxos ou desbalanceados, fixação incorreta do equipamento ao virabrequim do motor, sobrevelocidade ou outro abuso na operação.
9. Virabrequim empenado ou quebrado devido ao choque de um objeto sólido com uma lâmina cortante de uma máquina rotativa para cortar grama, ou devido ao aperto excessivo da correia em V.
10. Regulagem ou ajustamento rotineiro do motor.
11. A falha do motor ou de componentes do motor - i.e., câmara de combustão, válvulas, sede de válvulas, guias de válvulas ou enrolamentos queimados do motor de partida - provocada pelo uso de combustíveis alternativos como petróleo liquefeito, gás natural, gasolinas alteradas, etc.

**A garantia só está disponível através dos Centros de Serviço Autorizados da Briggs & Stratton Corporation. O seu Centro de Serviço Autorizado mais próximo está referenciado nas "Páginas Amarelas™" da sua lista telefônica, sob os títulos "Motores, Gasolina" ou "Motores a Gasolina", "Cortadores de Grama" ou categoria similar.**

Os motores Briggs & Stratton são fabricados sob uma ou mais das seguintes patentes: Design D-247.177 (Outras patentes pendentes)

|           |           |           |           |           |           |           |           |           |           |              |
|-----------|-----------|-----------|-----------|-----------|-----------|-----------|-----------|-----------|-----------|--------------|
| 6,325,036 | 6,077,063 | 5,819,513 | 5,606,948 | 5,497,679 | 5,235,943 | 5,138,996 | 4,996,956 | 4,633,556 | 4,430,984 | DES. 308,871 |
| 6,284,123 | 6,064,027 | 5,813,384 | 5,606,851 | 5,320,795 | 5,197,425 | 5,086,890 | 4,977,879 | 4,630,498 |           | DES. 308,872 |
| 6,260,529 | 6,014,808 | 5,765,713 | 5,548,955 | 5,271,363 | 5,197,422 | 5,070,829 | 4,971,219 | 4,522,080 |           | DES. 309,457 |
| 6,230,678 | 5,894,715 | 5,645,025 | 5,546,901 | 5,269,713 | 5,191,864 | 5,058,544 | 4,895,119 | 4,520,288 |           | DES. 356,951 |
| 6,202,616 | 5,852,951 | 5,642,701 | 5,503,125 | 5,265,700 | 5,188,069 | 5,040,644 | 4,819,593 | 4,512,499 |           | DES. 361,771 |
| 6,116,212 | 5,823,153 | 5,619,845 | 5,501,203 | 5,243,878 | 5,186,142 | 5,009,208 | 4,719,682 | 4,453,507 |           | DES. 375,963 |

## Så här används siffrorna i handboken

1 - 9 hänvisar till figurerna på omslagens insida.

1 - 19 hänvisar till motordelarna i figur 1.

1 - 9 hänvisar till del/åtgärd i figurer.

Skriv upp motorns modell-, typ- och kodnummer här.

Skriv upp inköpsdatum här.

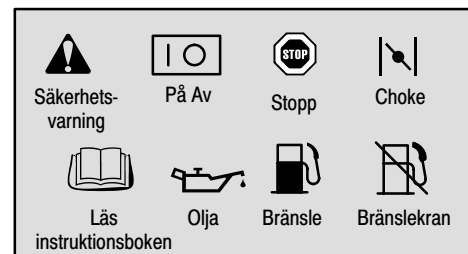
## Motordelar (se fig. 1)

- |   |  |               |            |            |
|---|--|---------------|------------|------------|
| ① | Snörhandtag                            |               |            |            |
| ② | Gasreglage                             |               |            |            |
| ③ | <b>Motor</b>                           | <b>Modell</b> | <b>Typ</b> | <b>Kod</b> |
|   |  | xxxxxx        | xxxx xx    | xxxxxxxx   |
| ④ | Luftrenare                             |               |            |            |
| ⑤ | Chokereglage                           |               |            |            |
| ⑥ | Tanklock                               |               |            |            |
| ⑦ | Stoppkontakt/Oil Gard®, om sådan finns |               |            |            |
| ⑧ | Fläkthus                               |               |            |            |
| ⑨ | Tändstiftskabel                        |               |            |            |
| ⑩ | Oljerör/Oljesticka                     |               |            |            |
| ⑪ | Ljuddämpare                            |               |            |            |
| ⑫ | Flamskydd, om sådant finns             |               |            |            |
| ⑬ | Avtappingsplugg                        |               |            |            |
| ⑭ | Oljepåfyllningsplugg                   |               |            |            |
| ⑮ | 12V startmotor, om sådan finns         |               |            |            |
| ⑯ | Bränslekran, om sådan finns            |               |            |            |

## Farosymboler och innebörder



## Internationella symboler och innebörder



## Säkerhetsåtgärder

**INNAN DU KÖR MOTORN**

- Läs hela instruktionsboken OCH instruktionerna för den utrustning denna motor driver.\*
- Underlåtenhet att följa instruktionerna kan resultera i svåra skador eller dödsfall.

### INSTRUKTIONSBOKEN INNEHÅLLER SÄKERHETSINFORMATION SOM

- Gör dig uppmärksam på motorrelaterade risker
- Informerar dig om den risk för skador som är förenad med dessa faror och
- Lär dig hur du undviker eller minskar risken för skador.

\* Briggs & Stratton känner inte nödvändigtvis till vilken utrustning denna motor kommer att driva. Av denna anledning bör du noggrant läsa och förstå bruksanvisningen för den utrustning på vilken din motor är monterad.

Säkerhetssymbolen används för att identifiera säkerhetsinformation om faror som kan leda till personskador.

Ett signalord (FARA, VARNING och OBS) används tillsammans med symbolen för att ange risken för och typen av skada. Dessutom kan en farosymbol användas för att ange risktypen.

**FARA** anger en risk som, om den inte undviks, resulterar i dödsfall eller svåra skador.

**OBS** anger en risk som, om den inte undviks, kan resultera i lindriga skador.

**VARNING** anger en risk som, om den inte undviks, kan resultera i dödsfall eller svåra skador.

**OBS utan säkerhetssymbolen** anger en situation som kan leda till skador på motorn.

**VARNING**

Avgaserna från denna produkt innehåller kemikalier som i staten Kalifornien anses orsaka cancer, födelsedefekter eller andra fortplantningsproblem.



**VARNING**



Bensin och bensinångor är ytterst antändbara och explosiva.

Brand och explosion kan orsaka svåra brännskador eller dödsfall.

#### VID BENSINPÅFYLNING

- Stäng AV motorn och låt den svalna i minst 2 minuter innan tanklocket tas av.
- Tanka utomhus eller i välventilerade utrymmen.
- Fyll inte på för mycket. Lämna ung. 35 mm under halstoppen så att bränslet kan expandera.
- Håll bensin på avstånd från gnistor, öppen eld, tändlåg, värme och andra antändningskällor.
- Kontrollera regelbundet bränsleslangar, tank, tanklock och kopplingar för sprickor eller läckor. Byt ut vid behov.

#### VID START

- Se till att tändstift, ljuddämpare, tanklock och luftrenare är monterade.
- Dra inte runt motorn med tändstiftet urtaget.
- Vid bensinspill, vänta tills bensinen dunstat bort innan du startar motorn.
- Om motorn är "sur", placera choken i läget OPEN/RUN, gasreglaget i läget "FAST" och dra runt tills motorn startar.

#### VID DRIFT

- Tippa inte motorn/utrustningen så mycket att bensinen spills ut.
- Choka inte förgasaren för att stoppa motorn.

#### VID TRANSPORT AV UTRUSTNINGEN

- Transportera med TOM tank eller med STÄNGD bränslekran.

#### VID FÖRVARING AV BENSIN ELLER UTRUSTNING MED BRÄNSLE I TANKEN

- Förvara på avstånd från ugnar, brännare, vattenvärmare och andra apparater med tändlåg eller andra tändkällor, då sådana kan antända bensinångor.



**VARNING**



Motorstart skapar gnistor.

Gnistor kan antända gaser i närheten.

Explosion och brand kan inträffa.

- Om det finns natur- eller LP-gasläckage i området, starta inte motorn.
- Använd inte startvätskor under tryck då ångor är antändbara.



**VARNING**



Motorer avger koloxid, en luktfri, färglös och giftig gas.

Inandning av koloxid kan orsaka illamående, svimning eller dödsfall.

- Starta och kör motorn utomhus.
- Starta inte motorn i stängda utrymmen, även om dörrar och fönster är öppna.



**VARNING**



Oavsiktliga gnistor kan resultera i brand eller stötar.

Oavsiktlig start kan resultera i intrassling, skärskador eller amputationer.

#### FÖRE JUSTERING ELLER REPARATION

- Lossa tändstiftskabeln och håll den borta från tändstiftet.
- Koppla bort batteriet vid minuspolen (endast motorer med elstart).

#### VID KONTROLL AV TÄNDNINGSSYSTEM

- Använd godkänd gnistprovare.
- Kontrollera inte motorns tändningssystem med tändstiftet demonterat.



**VARNING**



Gående motorer producerar värme. Motordelar, speciellt ljuddämpare, blir mycket varma.

Svåra brännskador kan inträffa vid beröring.

Brännbart skräp, som t.ex. löv, gräs, buskar, etc. kan börja brinna.

- Låt ljuddämpare, motorcylinder och flänsar svalna innan du rör dem.
- Avlägsna ansamlad gräs o.d. från ljuddämpar- och cylinderområdet.
- Innan du använder utrustningen på skogs-, busk- eller gräsbevuxen ouppodlad mark bör du montera ett flamskydd och håll det i funktionsdugligt skick. I staten Kalifornien är detta lagstadgat (sektion 4442 av California Public Resources Code). Andra stater kan ha liknande lagar. Federala lagar gäller på federala land.



**VARNING**



Snurrande delar kan komma i kontakt med händer, fötter, hår, kläder eller smycken.

Svåra skärskador eller t.o.m. amputationer kan inträffa.

- Kör utrustningen med skydden på plats.
- Håll händer och fötter på avstånd från snurrande delar.
- Sätt upp långt hår och ta av alla smycken.
- Bär inte löst sittande kläder, dragband eller andra föremål som kan trassla in sig.



**VARNING**



Snabb indragning av startsnöret (bakslag) drar hand och arm mot motorn innan man hinner släppa.

Brutna ben, frakturer, blåmärken, o.d. kan inträffa.

- Vid start av motorn drar man först ut snöret långsamt tills ett motstånd känns, och sedan snabbt.
- Avlägsna alla utvändiga utrustnings-/motorbelastningar innan motorn startas.
- Direktkopplade utrustningsdelar som t.ex. blad, rotor, remskivor, kuggkransar, etc., måste vara ordentligt fästa.



## Oljerekommendationer (se fig. 2)

Motorn sänds från Briggs & Stratton utan olja. Fyll på olja innan motorn startas. Fyll inte på för mycket.

Använd detergentolja av hög kvalitet som är klassificerad för följande användningsområden: SF, SG, SH, SJ eller högre som t.ex. Briggs & Stratton 30W, artikelnummer 100005 (20 oz.) eller 100028 (48 oz.). Använd inte specialtillsatser tillsammans med rekommenderade oljor.

Blanda inte olja med bensin.

Välj SAE-olja med den viskositetsgrad som passar till den förväntade temperaturen för näste oljebyte, se tabellen.



**Anm.:** Syntetisk olja som uppfyller ILSAC GF-2, API certifikationsmärke och API servicesymbol (bild till vänster) med "SJ/CF ENERGY CONSERVING" eller högre är en godtagbar olja vid alla temperaturer.

**Användning av syntetolja ändrar inte oljebytesintervallerna.**

\* Luftkylda motorer går varmare än bilmotorer. Vid användning av icke-syntetiska multiviskositetsoljor (5W-30, 10W-30, etc.) i temperaturer över 4°C stiger oljeförbrukningen. Kontrollera oljenivån ofta om olja av denna typ används.

\*\* Användning av SAE 30-olja i temperaturer under 4°C gör det svårare att starta motorn och kan leda till motorskador på grund av otillräcklig smörjning.

**Kontroll av oljenivå.** Modellseriernas oljevolymer är ungt: 1,3 liter för modellerna 170000 och 190000.

1,4 liter för modell 250000.

Placera motorn i vågrätt läge och rengör runt oljeröre 1.

Ta ut oljesticken 2, torka av den med en ren trasa, sätt tillbaka den och skruva åt. Ta ut oljesticken igen och kontrollera oljenivån. Oljan ska vara vid märket FULL. Om olja fordras, ska den fyllas på långsamt. Fyll inte på för mycket.

ELLER

Ta av oljepåfyllningspluggen 3. Det ska finnas så mycket olja att den rinner över 4.

Dra åt oljesticken eller oljepåfyllningspluggen ordentligt före start av motorn.

## Bränslerkommendationer

Använd ren, ny och blyfri bensin med minst 77 oktan. Blyhaltig bensin kan användas om blyfri inte finns. Köp inte mer bränsle än vad som kan användas inom 30 dagar. Se **Förvaring**.

Använd inte bensin som innehåller metanol. Blanda inte olja med bensin.

Som motorskydd rekommenderar vi Briggs & Stratton Fuel Stabilizer som finns hos auktoriserade Briggs & Stratton återförsäljare.

### Kontrollera bränslenivån



Låt motorn svalna i 2 minuter före tankning.

Rengör runt bränsleröret innan locket tas av för tankning. Fyll på till ungt. 35 mm under halsens topp så att bränslet har plats att utvidgas. Fyll inte på för mycket.

## Start (se fig. 3 4)



HÅLL HÄNDER OCH FÖTTER PÅ AVSTÅND FRÅN UTRUSTNINGENS SNURRANDE DELAR.



Använd inte tryckluftsfyllt startvätska. Ångorna är antändbara.

Starta, förvara och tanka utrustning i vågrätt läge.

Kontrollera oljenivån.

Öppna bränslekranen, om tillämpligt.

**OBS: OIL GARD**, om sådant finns, (se 7 fig. 1) ska förhindra start av en motor vars oljenivå är låg. **OIL GARD** får inte stänga av en gående motor. Motorskador kan uppstå om oljenivån inte upprätthålls och detta upphäver garantin. Kontrollera alltid oljenivån före motorstart.

Om motorn är försedd med **OIL GARD**® och oljenivån sjunkit, varnar lampan på motorn för låg oljenivå. Om lampan blinkar och motorn inte kan startas, eller har stannat och inte kan startas igen, fyll på olja. Fyll till brädden vid tanklocket eller till märket FULL på oljesticken. Fyll inte på för mycket.

### Före start (se fig. 3)

1. Flytta chokereglaget 1 till läget CHOKE.
2. Flytta gasreglaget 2 till läget FAST, om tillämpligt.
3. ÖPPNA bränslekranen 3, om sådan finns.
4. Flytta stoppreglaget 4 till läget ON, om sådant finns.

Obs: Om motorn har Oil Gard®, varnar den blinkande lampan i vippströmbrytare 4 för låg oljenivå eller så stannar motorn och kan inte startas igen. Fyll på olja. Fyll på till märket FULL på oljesticken (fyll inte på för mycket) eller till brädden av oljepluggen.

### Startapparat (se fig. 4)



Dra långsamt i snörhandtaget tills motstånd känns. Dra sedan snabbt ut snöret för att övervinna kompression, förhindra bakslag och starta motorn.

Upprepa vid behov med choken i läget RUN och gasreglaget i läget FAST. Kör motorn i läget FAST.

### Startmotor (se fig. 4)

På motorer med 12 volt startsystem vrider man nyckeln till läget START 1 eller trycker på knappen 2. Upprepa vid behov med choken i läget RUN och gasreglaget i läget FAST. När motorn startar, ska den köras med gasreglaget i läget FAST.

Obs: Om utrustningstillverkaren tillhandahållit batteri, ska detta laddas före start så som tillverkaren rekommenderar.

Obs: Korta startperioder (15 sekunder/min) förlänger startmotorns livslängd. Långvariga startförsök kan skada startmotorn.

## Stopp (se fig. 5)

Flytta inte chokereglaget till läget CHOKE för att stanna motorn. Motorn kan baktända eller skadas. Flytta gasreglaget till läget IDLE eller SLOW 1, om sådant finns. Vrid sedan nyckeln till OFF eller flytta stoppreglaget till läget OFF 2. Stäng bränslekranen 3.

Obs: Ta alltid ut nyckeln ur tändningslåset när utrustningen inte används eller är oönskad.

Obs: Stäng bränslekranen när motorn transporteras för att förhindra läckage.

## Justeringar (se fig. 6)



Förebygg motorstart: ta av tändstiftskabeln 1 och jorda den före justering

och koppla bort batteriet vid minuspolen (om motorn är försedd med startmotor).

### Gasreglagejusteringar (se fig. 6)

#### Manuellt friktionsreglage

Lossa eller dra åt vingmuttern 2 på reglageplattan så mycket att gasreglaget 3 kan flyttas med lite motstånd men blir kvar i önskat läge när motorn går.

#### Fjärreglage

Lossa hylsklämskraven 4. Flytta hylsan och vajern 5 i pilens riktning till slutet på slaget. Flytta gasreglaget till läget FAST. Dra åt hylsklämskraven.

#### Fast regulatorreglage

Toppfartsskraven 6 har förinställts på fabriken efter utrustningstillverkarens specifikationer. JUSTERA INTE. Om justering fordras, kontakta en auktoriserad Briggs & Stratton-verkstad.

#### Förgasjustering



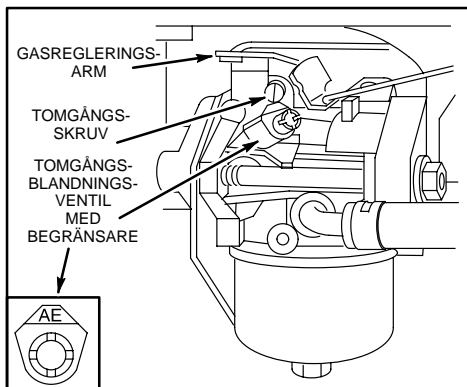
Tillverkaren av den utrustning på vilken motorn är monterad specificerar det toppvarv på vilket denna motor får köras. ÖVERSKRID INTE detta varvtal.

Kontakta en auktoriserad Briggs & Stratton-verkstad för förgasjustering.

Starta motorn och varm upp den i ungt. 5 minuter före justering. Med motorn gående, sätt gasreglaget i läget SLOW. Vrid förgasarens gasregleringsarm mot tomgångsskraven och håll kvar den där. Vrid tomgångsskraven så att 1750 r/min fås.

Vrid tomgångsblandningsventilen hela vägen medsols och sedan motsols. Placera sedan tomgångsblandningsventilen i mitten av slaget. Kontrollera tomgången och justera vid behov igen till 1750 r/min.

Flytta gasreglaget till FAST. Motorn ska accelerera jämnt. Om inte, justera tomgångsblandningsventilen motsols 1/8 varv.



## Underhåll (se fig. 7 8 9)

Se **Underhållsschema**. Följ tim- eller kalenderintervallerna, beroende på vad som först inträffar. Service fordras oftare vid användning under svåra förhållanden.



Förebygg motorstart: demontera och jorda tändstiftskabeln ① före service och koppla

bort batteriet vid minuspolen, om motorn är försedd med startmotor.

### Olja (se fig. 7)

Kontrollera oljenivån regelbundet.

Se till att rätt oljenivå bibehålls. Kontrollera var 5:e driftimme eller dagligen, före motorstart. Se oljepåfyllningsprocedurerna under **Oljerekommendationer**.

#### Oljebyte

Byt olja efter de 5 första drifttimmarna. Byt olja medan motorn är varm. Fyll på med ny SAE-olja med rekommenderad viskositetsgrad (se fig. 2).

#### Reduktionsväxel, om sådan finns

Ta av oljepåfyllningspluggen ② och oljenivåpluggen ③. Dränera oljan var 100:e driftimme eller en gång per säsong. Fyll på SAE 30-olja i oljehålet till brädden av nivåhålet. Sätt tillbaka bägge pluggar. Oljepåfyllningspluggen har ett lufthål ④ och ska monteras ovanpå växelhuslocket.

### Luftrenare (se fig. 8)

Byt ut förenaren ② och/eller patroen ③ om mycket smutsiga eller skadade.

1. Lossa skruvarna. Demontera sedan kåpan och luftrenaren från underredet.
2. Demontera luftrenaren från kåpans insida och ta isär.

Tvätta förenaren i rengöringsmedel och vatten. Krama den torr i en ren trasa. Mätta med motorolja. Krama ut ALL ÖVERFLÖDIG olja i en ren, absorberande trasa. Rengör patronen genom att försiktigt knacka den mot en plan yta. Använd inte lösningsmedel med petroleum, som t.ex. fotogen, eller tryckluft som kan skada patronen. Smörj inte patronen.

3. Montera hållaren ④, förenaren (förenarens nätsida mot patronens veck) och patronen i kåpan.
4. Sätt in flikarna ⑤ på kåpan i skårorna ⑥ i underredet. Dra åt kåpskruvarna ordentligt.

### Tändstift (se fig. 8)



Testa INTE gnistan med tändstiftet demonterat. Använd endast Briggs & Stratton gnistprovare ⑥ för att kontrollera gnistan.

Dra INTE runt motorn med tändstiftet urtaget. Om motorn är "sur", placera gasreglaget i läget FAST och dra runt tills motorn startar.

Elektroavståndet ⑦ ska vara 0,76 mm.

Rengör/Byt tändstiftet var 100:e timme eller varje säsong, beroende på vad som först inträffar. Gnistprovare och tändstiftsnyckel kan anskaffas hos alla auktoriserade Briggs & Stratton Service återförsäljare. Obs: Motorer i modellserierna 19A400, 19F400 och 19G400 använder endast tändstift P/N 496018. På motorer i modellserierna 192400, 196400, 197400, 250400, 256400 och 257400 används standardtändstift P/N 492167 eller avstört tändstift P/N 802592, efter behov.

Obs: I vissa områden fordrar den lokala lagstiftningen användning av avstörda tändstift för att undertrycka tändsignaler. Om denna motor ursprungligen utrustats med ett avstört tändstift, bör samma typ av tändstift användas vid byte.

### Håll motorn ren (se fig. 9)

Avlägsna gräs och hackelse från motorn regelbundet. Spruta inte vatten på motorn då vatten kan förorena bränslet. Rengör med borste eller tryckluft.



Gräs och hackelse i ljuddämparområdet ② kan orsaka brand. Inspektera och rengör före varje användning.

Om ljuddämparen är försedd med flamskydd ③, ska detta demonteras för rengöring och inspektion var 50:e timme eller varje säsong. Byt ut om skadat.

Håll regulatorlänkar, fjädrar och reglage ④ fria från skräp.



Byt ut det slangmonterade bränslefilteret ⑤. Töm bränsletanken eller stäng bränslekranen före byte av bränslefilter.

Rengör kylsystemet. Gräs, hackelse eller smuts kan täppa till motorns luftkylsystem, speciellt efter långvarig slagning. Inre kylflänsar och ytor kan behöva rengöras för att förhindra överhettning och motorskador. Ta av fläkthuset och rengör så som visas ⑥.

## Underhållsschema

Följ tim- eller kalenderintervallerna, beroende på vad som först inträffar. Service krävs oftare vid användning under svåra förhållanden, se nedan.

### Första 5 timmarna

- Byt olja

### Var 5:e timme eller dagligen

- Kontrollera oljenivån
- Rengör runt ljuddämpare, länkar och fjädrar

### Var 25:e timme eller varje säsong

- Byt olja vid arbete under tung belastning eller hög temperatur
- Rengör förenaren\*

### Var 50:e timme eller varje säsong

- Byt olja
- Rengör och inspektera flamskyddet, om sådant finns

### Var 100:e timme eller varje säsong

- Rengör luftrenarpatronen\*
- Byt ut det slangmonterade bränslefilteret, om sådant finns
- Byt ut/rengör tändstiftet
- Byt reduktionsväxelolja, om tillämpligt
- Rengör kylsystemet\*

\* Rengör oftare under dammiga förhållanden eller vid föroreningar i luften.

### Utdrag ur Briggs & Strattons originaldelista

#### Briggs & Stratton (eller motsvarande)

| Del   | Artikelnummer       |
|---|---------------------|
| Olja (20 oz.)   | 100005              |
| Olja (48 oz.)   | 100028              |
| Oljepumpssats (använder vanlig elborr för att snabbt dra ut olja ur motorn) | 5056                |
| Fuel Stabilizer (30 ml engångspåse)   | 992030              |
| Fuel Stabilizer (125 ml flaska)   | 999005E (5041)      |
| Bränslefilter (utan bränslepump)  | 298090 (5018)       |
| Bränslefilter (med bränslepump)   | 394358 eller 493629 |
| Luftrenare, filterpatron  | 492889              |
| Luftrenare, förenare  | 496077              |
| Avstört tändstift (modeller 19E400, 19F400, 19G400)                         | 496018E             |
| Platinatändstift (modeller 19E400, 19F400, 19G400)                          | 5066                |
| Avstört tändstift (modeller 192400, 196400, 197400, 250400, 256400, 257400) | 802592E             |
| Standardtändstift (modeller 192400, 196400, 197400, 250400, 256400, 257400) | 492167              |
| Platinatändstift (modeller 192400, 196400, 197400, 250400, 256400, 257400)  | 992041 (5062)       |
| Gnistprovare  | 19368               |
| Tändstiftsnyckel  | 89838 (5023)        |
| Flamskydd   | 399541 eller 392390 |

## Förvaring

Motorer som ska förvaras längre än 30 dagar måste skyddas eller dräneras på bränsle för att förhindra beckbildning i bränslesystemet eller på viktiga förgasardelar.

Som motorskydd rekommenderar vi Briggs & Stratton Fuel Stabilizer som finns att tillgå hos auktoriserade Briggs & Stratton servicecentra. Blanda det med bränslet i en bränsletank eller förvaringsbehållare. Kör motorn en kort stund för att fördela medlet i förgasaren. Motorn och bränslet kan förvaras i upp till 24 månader. Obs: Om Stabilizer inte används eller om motorn körs med bensin som innehåller alkohol, som t.ex. gasol, tappa ut allt bränsle ur tanken och kör motorn tills den stannar på grund av bränslebrist.

1. Byt olja. Se **Olja**. (se fig. 2 [7]).
2. Demontera tändstiftet och håll ung. 30 ml motorolja i cylindern. Sätt tillbaka tändstiftet och dra långsamt runt för att fördela oljan.
3. Avlägsna hackelse och skräp från cylindern, topplocksflänsarna, under fingerskyddet och bakom ljuddämparen.
4. Förvara utrustningen på ett rent och torrt ställe, men INTE i närheten av en spis, ugn eller varmvattenberedare med tändlåga eller annan anordning som kan avge gnistor.

## Service

Kontakta ett auktoriserat Briggs & Stratton servicecenter. Alla auktoriserade servicecentra har specialverktyg och Briggs & Stratton originalersättningsdelar på lager. Om du anlitar utbildade Briggs & Stratton mekaniker garanteras du expertservice på alla Briggs & Stratton motorer. Endast de servicecentra som annonserar som "Auktoriserade Briggs & Stratton" uppfyller Briggs & Strattons normer.

När du köper utrustning som drivs av en Briggs & Stratton-motor garanteras du tillförlitlig service av mer än 5.000 välutbildade chefmekaniker vid mer än 30.000 auktoriserade servicecentra. Titta efter dessa skyltar där Briggs & Stratton-service erbjuds.



Närmaste auktoriserade Briggs & Stratton servicecenter hittar du på återförsäljarkartan på vår website [www.briggsandstratton.com](http://www.briggsandstratton.com) eller i "Gula sidorna™" under "Motorer, Bensin", "Bensinmotorer", "Gräsklippare" eller liknande kategori.



Obs: "Walking fingers" och "Yellow Pages™" är registrerade varumärken i vissa domsagor.

En illustrerad verkstadshandbok omfattar "driftteorier", allmänna specifikationer och detaljerade upplysningar som täcker justering, finjustering och reparation av Briggs & Stratton encylindriga 4-taktsmotorer med alla ventiler på en sida. Beställ P/N 271313 från en auktoriserad Briggs & Stratton återförsäljare.

Insistera på Briggs & Stratton originaldelar med vår logo på förpackningen och/eller delen. Andra delar fungerar inte lika bra och kan upphäva garantin.

## BRIGGS & STRATTON MOTORGARANTI

Gäller fr.o.m. 01 januari 2003. Ersätter alla odaterade garantier och alla garantier daterade före 01 januari 2003

### BEGRÄNSAD GARANTI

Briggs & Stratton Corporation byter ut eller reparerar kostnadsfritt motordelar som är defekta i material eller utförande, eller båda delarna. Fraktkostnader för delar, som sänds in för reparation eller utbyte under denna garanti, bekostas av köparen. Denna garanti gäller under nedanstående tidsperiod och med nedanstående villkor. För garantireparation kontaktas närmaste auktoriserade verkstad som återfinns på vår lokaliseringskarta på [www.briggsandstratton.com](http://www.briggsandstratton.com) eller genom att ringa 08-4495630 eller genom att slå upp i Gula Sidorna™.

ANNAN UTTRYCKLIG GARANTI LÄMNAS INTE. UNDERFÖRSTÅDDA GARANTIER, INKLUSIVE SÅDANA SOM AVSER SÄLJBARHET OCH LÄMPLIGHET FÖR ETT SPECIELLT ÄNDAMÅL, BEGRÄNSAS TILL ETT ÅR FRÅN INKÖPET ELLER TILL LAGLIGT TILLÅTEN UTSTRÄCKNING OCH ALLA UNDERFÖRSTÅDDA GARANTIER BETRÄKTAS SOM OGLITIGA. VI ANSVARAR INTE FÖR FÖLJDSKADOR ENLIGT NÅGON FORM AV GARANTI, OM SÅDANT UNDANTAG KAN GÖRAS ENLIGT LAG. Vissa länder eller delstater medger inte begränsning av hur länge en underförstådd garanti gäller och vissa tillåter inte undantagande eller begränsning av ansvaret för följskador, så ovanstående gäller därför inte alla köpare. Denna garanti ger specifika legala rättigheter, men det kan även finnas andra rättigheter som varierar från land till land eller stat till stat.

## VÅR PRODUKT

|                  |   |   |                 |              |
|------------------|---|---|-----------------|--------------|
| <b>VANGUARD™</b> | <b>ELS™</b><br><b>I/C®</b><br><b>Industrial Plus™</b><br><b>Intek™</b><br>(Sleeve Bore) | <b>Fource™</b><br><b>Intek™</b> (Kool Bore)<br><b>Power Built™</b><br><b>toppventilmotor</b><br><b>QUANTUM®</b><br><b>Quattro™</b><br><b>Q45™</b><br><b>Sprint™</b> | <b>Classic™</b> | <b>Etek™</b> |
|------------------|---|---|-----------------|--------------|

## GARANTIPERIOD\*

|                        |      |      |          |          |      |
|------------------------|------|------|----------|----------|------|
| Privat användning      | 2 år | 2 år | 2 år     | 1 år     | 1 år |
| Kommersiell användning |      | 1 år | 90 dagar | 90 dagar |      |

\* **Observera följande specialgarantiperioder: 2 år** för Classic™-motorer i länder inom EG och Östeuropa, för alla konsumentprodukter inom EG och för avgaskkontrollsystem på motorer intygade av EPA och CARB. **5 år** för privat användning, 90 dagar för kommersiell användning av Touch-N-Mow® startapparat på Quantum®- och Intek™-motorer. **Motorer som används i tävlings syfte eller på tävlingsbanor täcks inte av garantin.**

Garantiperioden börjar den dag den första konsumenten eller kommersiella slutanvändaren köper motorn och löper under den tidsperiod som uppges i ovanstående tabell. Med "privat användning" avses i denna garanti den ursprungliga konsumentens privata användning i hushållet. Med "kommersiell användning" avses all annan användning, inklusive användning i kommersiellt, inkomstbringande och uthyrningssyfte. En motor som en gång har använts kommersiellt, ska därefter alltid betraktas som kommersiell i samband med denna garanti.

**GARANTIREGISTRERINGSKORT FORDRAS INTE FÖR GARANTIREPARATIONER PÅ BRIGGS & STRATTON-PRODUKTER. SPARA INKÖPSKVIKTOT. OM INKÖPSKVIKTOT INTE KAN UPPVISAS VID YRKAN PÅ GARANTIREPARATION, KOMMER PRODUKTENS TILLVERKNINGSDATUM ATT ANVÄNDAS FÖR ATT BESTÄMMA GARANTIPERIODEN.**

## BETRÄFFANDE GARANTIN PÅ DIN MOTOR

Briggs & Stratton välkomnar möjligheten att utföra garantireparationer och ursäktar sig för olägenheten. Garantireparationer kan utföras på vilken som helst av våra auktoriserade verkstäder. I de flesta fall behandlar vi garantireparationer snabbt och rutinmässigt men i vissa fall är garantireparationer inte berättigade. Garantin gäller t.ex. inte när felet vållats p.g.a. försømmelse, felaktig användning, frakt, hantering, magasinering eller felaktig montering. Likaledes upphävs garantin om motorns serienummer har avlägsnats eller om motorn har byggts om eller modifierats.

Om en kund inte är nöjd med verkstadens bedömning, kommer en granskning att företas för att fastställa garantins tillämpning. Be verkstaden sända in alla uppgifter till distributören eller fabriken för granskning. Om distributören eller fabriken fastställer att reklamationen är berättigad, får kunden full ersättning för alla delar som bedöms vara defekta. För att undvika missförstånd mellan kund och återförsäljare, tar vi nedan upp några motorfel som inte täcks av garantin.

### Normal förslitning:

För att arbeta tillfredsställande behöver motorer, precis som alla andra mekaniska anordningar, periodisk service och utbyte av delar. Garantin täcker inte reparation av en del eller en motor p.g.a. normal förslitning.

### Felaktigt underhåll:

Motorns livslängd beror på de förhållanden under vilka den arbetar och på den vård den får. Motorer som driver jordfräsar, pumpar och gräsklippare arbetar ofta under dammiga och smutsiga förhållanden och slits därför fortare. Sådant slitage som vållats av smuts, damm, sand från

tändstiftsblåstring och liknande föroreningar som trängt in i motorn på grund av felaktigt underhåll, täcks inte av garantin.

**Denna garanti täcker endast motoreller defekt material och/eller utförande och täcker inte utbyte av eller ersättning för den maskin på vilken motorn kan vara monterad. Garantin täcker inte heller sådana reparationer som fordras p.g.a.:**

1. PROBLEM ORSAKADE AV DELAR SOM INTE ÄR BRIGGS & STRATTON ORIGINALDELAR.
2. Maskinreglage eller montage som förhindrar start, orsakar otillfredsställande motoreffekt eller förkortar motorns livslängd. (Kontakta maskintillverkaren.)
3. Läckande förgasare, igentäppta bränslerör, fastnade ventiler eller andra skador orsakade av förorenat eller gammalt bränsle. (Använd ren, färsk, blyfri bensin och Briggs & Stratton Fuel Stabilizer, artikelnummer 5041.)
4. Delar som är brända eller trasiga därför att motorn har körts med för lite eller förorenad olja, eller olja av fel sort (kontrollera oljenivån dagligen eller var 8:e driftimme. Fyll på ny olja vid behov och byt olja med rekommenderade mellanrum.) OIL GARD® stänger inte av en gående motor. Motorn kan skadas om oljenivån är för låg. Läs instruktionsboken.
5. Reparation eller justering av tillbehör, som t.ex. kopplingar, växellådor, fjärrreglage, etc., som inte är av Briggs & Stratton-fabrikat.
6. Skador och förslitning på delar som vållats av att smuts trängt in i motorn på grund av felaktigt underhåll eller ihopsättning av

luftrenaren eller användning av icke-originalfilter eller -patron. (Rengör och smörj Oil-Foam®-delen eller förorenaren och byt ut filterpatronen.) Läs instruktionsboken.

7. Delar som skadats av rusing eller överhettning orsakad av att kylflänsarna och området runt svänghjulet satts igen av smuts, gräs eller skräp, eller av att motorn körts i ett slutet utrymme med otillräcklig ventilation. (Rengör cylindreflansar, topplock och svänghjul med rekommenderade mellanrum.) Läs instruktionsboken.
8. Motor- eller maskindelar som havererat på grund av kraftiga vibrationer orsakade av lösa motorfästen, lösa skärblad, obalanserade blad eller lösa eller obalanserade rotor, felaktig fastsättning av maskinen på motorns vevaxel, rusing eller ovarsamhet vid körning.
9. Krokig eller avbruten vevaxel som orsakats av att ett fast föremål träffat skärbladen på en gräsklippare, eller för hårt spänd v-rem.
10. Rutintrimning eller -justering av motorn.
11. Motor- eller motordelsfel, som t.ex. förbränningsrum, ventiler, ventilstyrning, eller brända startmotorlindringar, som orsakats av att motorn körts med alternativa bränslen som t.ex. gasol, naturgas, etc.

**Garantireparationer utförs endast av verkstäder som auktoriserats av Briggs & Stratton Corporation. Närmaste auktoriserade verkstad hittar du i Gula Sidorna™ under "Motorer, Bensin", "Bensinmotorer", "Gräsklippare" eller liknande kategori.**

| Briggs & Stratton-motorer tillverkas under ett eller flera av nedanstående patent: Design D-247.177 (andra patentsökt) |           |           |           |           |           |           |           |           |           |              |
|--|-----------|-----------|-----------|-----------|-----------|-----------|-----------|-----------|-----------|--------------|
| 6,325,036  | 6,077,063 | 5,819,513 | 5,606,948 | 5,497,679 | 5,235,943 | 5,138,996 | 4,996,956 | 4,633,556 | 4,430,984 | DES. 308,871 |
| 6,284,123  | 6,064,027 | 5,813,384 | 5,606,851 | 5,320,795 | 5,197,425 | 5,086,890 | 4,977,879 | 4,630,498 |           | DES. 308,872 |
| 6,260,529  | 6,014,808 | 5,765,713 | 5,548,955 | 5,271,363 | 5,197,422 | 5,070,829 | 4,971,219 | 4,522,080 |           | DES. 309,457 |
| 6,230,678  | 5,894,715 | 5,645,025 | 5,546,901 | 5,269,713 | 5,191,864 | 5,058,544 | 4,895,119 | 4,520,288 |           | DES. 356,951 |
| 6,202,616  | 5,852,951 | 5,642,701 | 5,503,125 | 5,265,700 | 5,188,069 | 5,040,644 | 4,819,593 | 4,512,499 |           | DES. 361,771 |
| 6,116,212  | 5,823,153 | 5,619,845 | 5,501,203 | 5,243,878 | 5,186,142 | 5,009,208 | 4,719,682 | 4,453,507 |           | DES. 375,963 |

## Käsikirjan numeroinnit

- 1 - 9 viittaavat kansien sisäpuolisiin kuviin.
- 1 - 19 viittaavat moottorin osiin kuvassa 1.
- 1 - 9 viittaavat kuvien osiin tai toimenpiteisiin.

Merkitse moottorin malli-, tyyppi- ja koodinumerot tähän vastaisen varalle.

Merkitse ostopäivä tähän vastaisen varalle.

## Moottorin komponentit

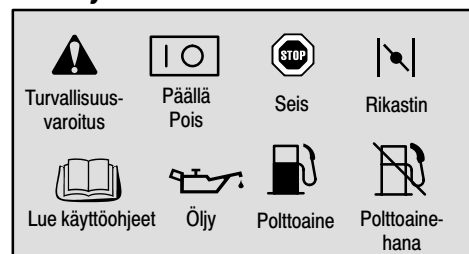
(ks. kuva 1)

- |    |  |
|----|--|
| 1  | Narukäynnistimen kahva   |
| 2  | Nopeudensäädin   |
| 3  | <b>Moottori</b> <b>Malli</b> <b>Tyyppi</b> <b>Koodi</b><br>xxxxxx    xxxxxx    xxxx xx    xxxxxxxx |
| 4  | Ilmanpuhdistin   |
| 5  | Rikastin   |
| 6  | Polttoaineen täyttöaukko   |
| 7  | Pysäytyskytkin/Oil Gard® öljymäärän varoitin, tietyissä malleissa                                  |
| 8  | Puhaltimen kotelo  |
| 9  | Sytytystulpan johto  |
| 10 | Öljyn täyttöaukko/mittatikku   |
| 11 | Äänenvaimennin   |
| 12 | Kipinäsuojus, tietyissä malleissa  |
| 13 | Tyhjennystulppa  |
| 14 | Öljyntäyttöaukon tulppa  |
| 15 | 12 V sähkökäynnistin, tietyissä malleissa  |
| 16 | Avaa polttoaineen sulkuventtiili, jos sellainen on   |

## Varoitusymbolit ja niiden merkitykset



## Kansainväliset symbolit ja niiden merkitykset



## Turvallisuusohjeet

**ENNEN MOOTTORIN KÄYTTÄMISTÄ**

- Lue moottorin JA sen käyttämän laitteen käyttö- ja huolto-ohjeet huolellisesti.\*
- Ohjeiden noudattamatta jättäminen saattaa johtaa vakavaan loukkaantumiseen tai kuolemaan.

**KÄYTTÖ- JA HUOLTO-OHJEET SISÄLTÄVÄT TURVALLISUUSOHJEITA, JOTKA**

- Saattavat tietosi moottoreihin liittyvät vaarat
- Kertovat sinulle vaaroihin liittyvistä tapaturmariskeistä
- Neuvovat kuinka vältät tai minimoit loukkaantumisriskin.

\* Briggs & Stratton ei välttämättä tiedä, millaiseen käyttöön moottori joutuu. Siksi sinun on huolellisesti luettava ja ymmärrettävä sen laitteen käyttöohjeet, johon moottori on asennettu ennen sen käyttämistä.

**!** Turvaroitussymboli on merkinä vaaroista, joissa on loukkaantumisriski.

Symbolin yhteydessä käytetään merkisanaa (HENGENVAARA, VAARA, VAROITUS) ilmaisemaan loukkaantumisriskin olemassaoloa ja uhkan astetta. Lisäksi erityyppisille vaaroille on olemassa omat vaarasymbolit.

**!** **HENGENVAARA** merkitsee vaaraa, jonka saattaa, mikäli sitä ei vältetä, **johtaa kuolemaan tai vakavaan loukkaantumiseen.**

**!** **VAROITUS** merkitsee vaaraa, joka saattaa, mikäli sitä ei vältetä, **johtaa loukkaantumiseen.**

**!** **VAARA** merkitsee vaaraa, joka saattaa, mikäli sitä ei vältetä, **johtaa kuolemaan tai vakavaan loukkaantumiseen.**

**!** **VAROITUS**, jos käytetty ilman varoitusymbolia, imaisee tilannetta, joka **saattaa aiheuttaa vaurioita moottoriin.**

**!** **VAARA** **!**

Moottorin pakokaasut sisältävät Kalifornian valtion mukaan kemikaaleja, jotka saattavat aiheuttaa syöpää ja syntymävikoja.



VAARA



Bensiini ja sen höyryt ovat erittäin helposti syttyviä ja räjähdysalttiita.

Tulipalo tai räjähdys saattaa aiheuttaa vakavia palovammoja tai kuoleman.

#### POLTTOAINETTA LISÄTESSÄ

- Sammuta moottori ja anna sen jäähtyä vähintään 2 minuuttia ennen polttoainesäiliön korkin avaamista.
- Täytä tankki ulkona tai hyvin ilmastoitussa tilassa.
- Älä ylitäytä tankkia. Jätä tankkiin noin 35 mm ilmatilaa, jotta polttoaineella on tilaa laajeta.
- Pidä bensiini pois avotulen, kipinöivien laitteiden, lämmittimien tai tms. läheisyydestä.
- Tarkasta polttoaineputket ja liittimet, tankki ja tankin korkki säännöllisesti halkeamien ja vuotojen varalta. Vaihda tarvittaessa.

#### MOOTTORIA KÄYNNISTETTÄESSÄ

- Varmistu, että sytytystulppa, äänenvaimennin, tankin korkki ja ilmansuodatin ovat paikallaan.
- Älä käynnistä moottoria sytytystulpan ollessa irrotettuna.
- Jos polttoainetta läikkyy, käynnistä moottori vasta sen haihduttua.
- Jos moottori tulvii, laita kuristin RUN-asentoon, nopeudensäädin FAST-asentoon ja yritä käynnistää, kunnes moottori lähtee käyntiin.

#### LAITETTA KÄYTETTÄESSÄ

- Älä kallista moottoria tai laitetta asentoon, jossa polttoainetta pääsee vuotamaan.
- Älä käytä kuristinta sammuttimena.

#### LAITETTA KULJETETTAESSA

- Kuljeta laite tankki TYHJÄNÄ tai polttoainehana SULJETTUNA.

#### POLTTOAINEEN VARASTOIMINEN TAI LAITEEN VARASTOIMINEN KUN TANKISSA ON POLTTOAINETTA

- Älä varastoi lämmityskattilan, uunin vedenlämmittimen tai muun kipinän aikaansaavan laitteen läheisyyteen, sillä ne voivat aiheuttaa bensiinihöyryn syttymisen.



VAARA



Moottorin käynnistämässä syntyy kipinöitä.

Kipinöinti voi sytyttää läheisyydessä olevat tulenarat kaasut.

Räjähdys- ja tulipalovaara on olemassa

- Älä käynnistä moottoria, mikäli luonnonkaasua tai nestekaasua vuotaa läheisyydessä.
- Älä käytä paineistettuja käynnistyssumutteita.



VAARA



Pakokaasut sisältävät hiilimonoksidia, joka on hajuton ja väritön, myrkyllinen kaasu.

Hiilimonoksidin hengittäminen saattaa aiheuttaa pahoinvointia, pyörtymisen tai kuoleman.

- Käynnistä ja käytä moottoria ulkona.
- Älä käynnistä moottoria sisällä, vaikka ovet tai ikkunat olisivat auki.



VAARA



Hallitsematon kipinöinti voi aiheuttaa tulipalon tai sähköiskun.

Moottorin käynnistäminen voi aiheuttaa vaaratilanteita ja henkilövahinkoja.

#### ENNEN SÄÄTÖ- TAI KORJAUSTOIMENPITEITÄ

- Irrota sytytystulpan johto ja pidä se erillään tulpasta.
- Irrota akun negatiivinen kaapeli (vain sähkökäynnistimellä varustetut moottorit).

#### SYTYTYSKIPINÄN TESTAAMINEN

- Käytä hyväksyttyä kipinätesteriä.
- Älä tarkasta kipinää sytytystulpan ollessa irrotettuna.



VAARA



Käyvä moottori tuottaa lämpöä. Moottorin osat, varsinkin äänenvaimennin, tulevat erittäin kuumiksi.

Osien koskettaminen saattaa aiheuttaa vakavia palovammoja.

Sytyvät roskat, kuten lehdet, ruoho, jne. saattavat syttyä palamaan.

- Anna vaimentimen, sylinterin jäähdytysriipojen ja muiden osien jäähtyä ennen kuin kosketat niitä.
- Poista roskat vaimentimen ja sylinterin läheisyydestä.
- Asenna kipinäsuojain mikäli laitetta käytetään metsäisessä, heinikoisessa tai muuten helposti sytyvässä ja kuivassa maastossa. Tarkasta kipinäsuojaimen toimivuus säännöllisesti.



VAARA



Pyörivät osat voivat osua tai tarttua käsiin, hiuksiin tai vaatteisiin.

Tästä voi seurata vakavia silpoutumia tai haavoittumista.

- Käytä laitetta aina kaikki suojukset paikallaan.
- Pidä kädet ja jalat pois pyörivistä osista.
- Kiinnitä pitkät hiukset ja poista korut.
- Älä käytä liian väljiä vaatteita, varo sitomattomia, roikkuvia nauhoja tai muita helposti tarttuvaa vaatekappaleita.



VAARA



Väärästä käynnistystavasta johtuva takapotku vetää köyttä takaisin moottoriin päin nopeammin kuin ehdit laskea kahvasta irti.

Tästä voi seurata luunmurtumia, ruhjeita tai venähdyksiä.

- Oikea tapa käynnistää moottori on vetää köydestä hitaasti kunnes vastus tuntuu, ja sitten vetää nopeasti.
- Kytke pois kaikki ylimääräinen moottorin tai laitteen kuormitus käynnistykseen ajaksi.
- Kaikki suoraan kytketyt komponentit, kuten esimerkiksi terät, heittopyörät, hihnapyörät, ketjupyörät, tms., tulee olla tiukasti kiinnitettyinä.

## Öljyosuositukset (ks. kuva [2])

**Moottori toimitetaan Briggs & Strattonilta ilman öljyä. Lisää öljy ennen moottorin käynnistämistä. Älä täytä liikaa.**

Käytä korkealuokkaista, pesevää, "SF, SG, SH, SJ"-luokiteltua öljyä, kuten Briggs & Strattonin "takuuhyväksymää" SAE 30-öljyä, varaosa # 100005. Älä käytä mitään lisäaineita suositeltujen öljyjen kanssa. Älä sekoita öljyä bensiiniin.

Valitse tästä taulukosta öljyn SAE-viskositeettiluokka, joka sopii odotettuun käynnistyslämpötilaan ennen seuraavaa öljynvaihtoa.



**Huom:** Synteettinen öljy, joka täyttää IL-SAC GF-2 vaatimukset, on API-hyväksytty ja täyttää tai ylittää API-luokituksen "SJ/CF ENERGY CONSERVING", on suositeltava öljy kaikkiin lämpötiloihin. **Synteettisen öljyn käyttö ei vaikuta öljynvaihtoväleihin.**

\* Ilmajäähdytteiset moottorit käyvät kuumempina kuin autojen moottorit. Ei-synteettisten moniasteöljyjen (5W-30, 10W-30, jne.) käyttö yli 40° C (4° C) lämpötiloissa johtaa normaalia suurempaan öljynkulutukseen. Jos käytätte moniasteöljyä, tarkastakaa moottoriöljy normaalia useammin.

\*\* Jos SAE 30 -öljyä käytetään alle 4° C:ssa, kylmäkäynnistys vaikeutuu ja sylinteri voi vaurioitua riittämättömän voitelun takia.

**Tarkista öljypinta.** Mallisarjan öljytilavuus on noin:

1,3 l, Mallit 170000 ja 190000.

1,4 l, Malli 250000.

Aseta moottori tasaiselle alustalle ja puhdista öljyntäyttöaukon ympärys [1].

Poista mittatikku [2] ja pyyhi se puhtaalla kankaalla, laita tikku takaisin ja kiristä. Poista mittatikku ja tarkasta öljypinta. Öljyä tulee olla FULL-merkkiin saakka. Jos öljyä tarvitaan, lisää varovasti. Älä täytä liikaa.

TAI

Poista öljyntäyttöaukon tulppa [3]. Öljyä tulee olla aukon tasalle saakka [4].

Kiristä mittatikku tai öljyntäyttöaukon tulppa tiukasti paikalleen ennen moottorin käynnistämistä.

## Polttoainesuositukses

Käytä puhdasta ja tuoretta lyijytöntä bensiiniä, joka on vähintään 77 oktaanista. Lyijyllistä bensiiniä voidaan käyttää, jos lyijytöntä ei ole saatavissa. Hanki polttoainetta sellainen määrä, että se voidaan käyttää 30 päivässä. Katso **varastointi**.

Älä käytä bensiiniä, joka sisältää metanolia. Älä sekoita öljyä bensiiniin.

Moottorin suojaamiseen suosittelemme Briggs & Strattonin bensiinin lisäainetta, jota on saatavissa valtuutetuilta Briggs & Stratton -jälleenmyyjiltä.

## Tarkasta polttoainepinta



Ennen kuin lisää polttoainetta, anna moottorin jäähtyä 2 minuuttia.

Puhdista täyttöaukon ympäristä ennen polttoaineen lisäämistä. Täytä tankki noin 35 mm korkeuteen täyttöaukon kierteiden alareunasta mitaten. Älä ylitä.

## Käynnistys (ks. kuvat [3] [4])



PIDÄ AINA KÄDET JA JALAT ETÄÄLLÄ LAITTEEN LIIKKUVISTA OSISTA.



Älä käytä paineistettua käynnistysnestettä. Käynnistysneste on sytyvää.

Käynnistä, varastoi ja tankkaa laite sen ollessa vaaka-suorassa asennossa.

Tarkista öljypinta.

Avaa polttoaineen sulkuventtiili, jos sellainen on.

**VAROITUS: OIL GARD® öljyvahti, mikäli sellainen on,**

(ks. [7] kuva. [1]) on tarkoitettu estämään moottorin käynnistyminen, mikäli moottoriöljyn määrä on liian vähäinen. **OIL GARD®** ei välttämättä sammuta käynnissä olevaa moottoria. Moottorivaurio on mahdollinen jos öljytilasta ei huolehdi. Tällainen vaurio ei kuulu takuun piiriin. Tarkasta öljy aina ennen käynnistystä.

Jos moottori on varustettu **OIL GARD®** öljymäärän varoittimella, vilkkuva valo pysäytyskytkimessä varoittaa alhaisesta öljypinnasta tai moottori pysähtyy eikä käynnisty uudelleen. Lisää öljyä. Täytä mittatikun FULL-merkkiin saakka (älä täytä liikaa) tai kunnes öljyntäyttöaukosta tulee öljyä.

## Käynnistysvalmistelut (ks. kuva [3])

1. Siirrä rikastin [1] CHOKE-asentoon.
2. Siirrä nopeudensäädin [2] FAST-asentoon.
3. Avaa polttoaineen sulkuventtiili [3], jos sellainen on.
4. Siirrä pysäytyskytkin [4] ON-asentoon, jos sellainen on.

Huom: Jos moottori on varustettu Oil Gard® öljymäärän varoittimella, vilkkuva valo pysäytyskytkimessä [4] varoittaa alhaisesta öljypinnasta tai moottori pysähtyy eikä käynnisty uudelleen. Lisää öljyä. Täytä mittatikun FULL-merkkiin saakka (älä täytä liikaa) tai kunnes öljyntäyttöaukosta tulee öljyä.

## Itsepalautuva käynnistin (ks. kuva [4])



Tartu kiinni narukäynnistimen kahvasta ja vedä hitaasti, kunnes vastustusta tuntuu. Vetäise sitten narusta ripeästi vastuksen voittamiseksi, jolloin vältyt takaiskulta ja moottori käynnistyy. Toista sama tarvittaessa Rikastimen

ollessa RUN-asennossa ja nopeudensäätimen FAST-asennossa. Kun moottori käynnistyy, laita nopeudensäädin FAST-asentoon.

## Sähkökäynnistin (ks. kuva [4])

Käännä 12 V käynnistysjärjestelmällä varustetuissa moottoreissa virta-avain START-asentoon [1] tai paina käynnistinpainiketta [2]. Toista tarvittaessa rikastimen ollessa RUN-asennossa ja nopeudensäätimen FAST-asennossa. Kun moottori käynnistyy, anna sen käydä FAST-asennossa.

Huom: Jos laitevalmistaja on toimittanut akun, lataa se ennen moottorin käynnistämistä laitevalmistajan ohjeiden mukaan.

Huom: Käytä lyhyitä käynnistysjaksoja (15 sekuntia minuutissa.) pidettäksesi käynnistimen ikää. Pitkään kestävä käynnistys saattaa vaurioittaa moottoria.

## Pysäytys (ks. kuva [5])

Älä siirrä rikastimen säädintä CHOKE-asentoon moottorin pysäyttämiseksi. Se saattaa aiheuttaa vastasytytyksen tai vaurioittaa moottoria. Jos laitteessa on nopeudensäädin, siirrä se IDLE- tai SLOW-asentoon [1]. Käännä sitten virta-avain OFF-asentoon tai siirrä pysäytyskytkin OFF-asentoon [2]. Sulje polttoaineen sulkuventtiili [3].

Huom: Poista aina virta-avain, kun laite ei ole käytössä tai se jää vaille valvontaa.

Huom: Kun moottoria kuljetetaan, sulje polttoaineen sulkuventtiili vuotojen estämiseksi.

## Säädöt (ks. kuva [6])



Estääksesi vahingossa tapahtuvan käynnistymisen irrota ja maadoita sytytystulpan johto [1] ennen huoltoa.

ja irrota akun miinusnavan johdin, jos laitteessa on akku.

## Nopeudensäätimen säädöt (ks. kuva [6])

### Säätimen kitkan säätö

Löysää tai kiristä siipimutteria [2] ohjauslevystä, kunnes nopeudensäädin [3] liikkuu hieman nihkeästi ja pysyy halutussa asennossa moottorin käydessä.

### Kaukosäädin

Löysää koteloa pidinruuvia [4]. Siirrä koteloa ja vajeria [5] nuolen suuntaan niin pitkälle kuin ne menevät. Siirrä nopeudensäädin FAST-asentoon. Kiristä koteloa pidinruuvia.

### Kiinteä keskipakosäädin

Maksiminopeuden säätöruuvi [6] on tehtaalla asetettu laitevalmistajan määritysten mukaisesti. ÄLÄ SAADÄ SITÄ. Jos säätöä tarvitaan, ota yhteys Briggs & Strattonin valtuuttamaan huoltoon.

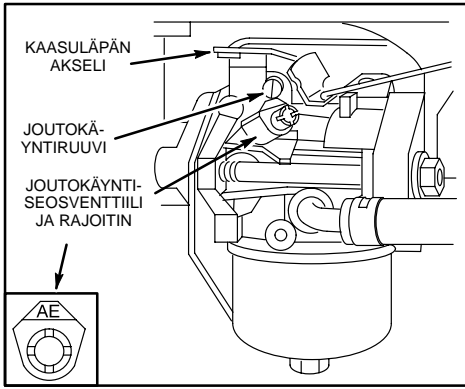
### Kaasuttimen säätö



Laitteen valmistaja on määritellyt suurimman moottorin käyntinopeuden. ÄLÄ YLITÄ tätä nopeutta.

Ota kaasuttimen säätöä koskevissa asioissa yhteys valtuutettuun Briggs & Stratton -jälleenmyyjään.

Käynnistä moottori ja käytä sitä noin 5 minuuttia ennen säätöä. Kun moottori käy, siirrä kaasun hallintalaite asentoon SLOW. Käännä kaasuttimen kaasuvipu joutokäyntiruuvia vasten ja pidä sitä paikallaan. Käännä joutokäyntiruuvia, jotta saavutat kierrosluvun 1750 rpm. Käännä joutokäyntiseosventtiili täysin myötäpäivään ja sitten vastapäivään. Siirrä joutokäyntiseosventtiili lopuksi liikeradan keskelle. Tarkasta joutokäyntinopeus ja säädä se uudelleen 1750 rpm:ään, jos tarpeen. Siirrä kaasun asentoon FAST. Moottorin tulisi kiihtyä tasaisesti. Jos näin ei ole, säädä kaasutinta uudelleen kääntämällä joutokäynnin seosruuvia 1/8 kierrosta vastapäivään.



## Kunnossapito (ks. kuvat 7 8 9)

Ks. **huoltokaavio**. Noudata tunneittaisia tai kalenterin mukaisia huoltovälejä riippuen siitä, **kumpi täytyy ensin**. Epäsuotuisissa oloissa huoltoa tarvitaan useammin.



Estääksesi vahingossa tapahtuvan käynnistymisen irrota ja maadoita sytytystulpan johto ennen huoltoa

1 irrota akun miinusnavan johdin, jos laitteessa on akku.

## Öljyhuolto (ks. kuva 7)

Tarkasta öljynpinta säännöllisesti.

Varmista, että öljynpinta pysyy oikealla tasolla. Tarkasta se 5 tunnin välein tai päivittäin ennen moottorin käynnistämistä. Katso öljyn lisäysmenettelyjä kohdasta **Öljyosuutukset**.

### Vaihda öljy

Vaihda öljy 5 ensimmäisen käyttötunnin jälkeen. Vaihda öljy, kun moottori on lämmin. Käytä suositeltua SAE-viskositeettiluokkaa olevaa uutta öljyä (ks. kuva 2).

### Alennusvaihe, tietyissä malleissa

Poista öljyntäyttöaukon tulppa 2 ja öljynpinnantason tarkistustulppa 3. Tyhjennä öljy 100 käyttötunnin välein tai joka kesä. Kaada SAE 30 -öljyä öljyntäyttöaukkoon, kunnes sitä tulee ulos pinnantason tarkistusreiästä. Kiinnitä molemmat tulpat paikalleen. Öljyntäyttöaukon tulpassa on huohotusreiä 4 ja se täytyy asentaa vaihdekotelon kannen yläosaan.

## Ilmanpuhdistimen huolto (ks. kuva 8)

Vaihda ilmanpuhdistin 2, ja/tai suodatinelementti 3 jos se on hyvin likainen tai vaurioitunut.

1. Löysää ruuvit. Poista sitten kansi ja ilmanpuhdistin rungosta.
2. Irrota ilmanpuhdistin kannen sisäpuolelta ja pura osiin.

Pese esipuhdistin nestemäisellä pesuaineella ja vedellä. Purista kuivaksi puhtaalla kankaalla. Kyllästä se moottoriöljyllä. Poista KAIKKI LIIKA öljy puristamalla puhtaaseen, imukykyiseen kankaaseen. Puhdista suodatinelementti taputtamalla sitä varovasti tasaista alustaa vasten. Älä käytä petroliuottimia, esim. kerosiiniä, sillä se heikentää suodatinta. Älä käytä paineilmaa, sillä se voi vaurioittaa suodatinta. Älä öljyä suodatinta.

3. Asenna pidike 4, esipuhdistin (esipuhdistimen verkkopuoli suodatintimen laskoksia kohti) ja suodatin kanteen.
4. Laita kannen ulokkeet 5 rungon koloihin 6. Kiristä kannen ruuvit kunnolla.

## Sytytystulpan huolto (ks. kuvat 8)



ÄLÄ tarkista kipinää sytytystulpan ollessa irrotettuna. Tarkista kipinä ainoastaan Briggs & Strattonin kipinätesterillä 6.

ÄLÄ käynnistä moottoria sytytystulpan ollessa irrotettuna. Jos moottori tulvii, laita nopeudensäädin FAST-asentoon ja yritä käynnistää, kunnes moottori lähtee käyntiin.

Sytytystulpan kärkiväli 7 tulee olla 0,75 mm.

Puhdista tai vaihda sytytystulppa 100 tunnin välein tai joka kesä riippuen siitä, kumpi aikaväli täyttyy ensin. Sytytystulppa-avaimia ja testereitä on saatavissa kaikilta valtuutetuilta Briggs & Stratton -jälleenmyyjiltä.

Huom: Mallisarjojen 19E400, 19F400, 19G400 moottoreissa käytetään vain sytytystulppaa, jonka osa nro on 496018. Mallisarjojen 192400, 196400, 197400, 250400, 256400 moottoreissa käytetään tavallista sytytystulppaa, osa nro 492167, tai vastussytytystulppaa, osa nro 802592, tarpeen vaatiessa.

Huom: Eräissä maissa laki vaatii, että on käytettävä vastussytytystulppia sytytyksestä aiheutuvien häiriöiden vaimentamiseksi. Jos moottorissa on alunperin vastussytytystulppa, käytä samantyyppistä tulppaa myös jatkossa.

## Pidä moottori puhtaana (ks. kuvaa 9)

Poista säännöllisesti ruohosilppu moottorista. Älä ruiskuta moottoria vedellä, sillä vesi voi tunkeutua polttoaineen joukkoon. Puhdista harjalla tai paineilmailla.



Roskien kerääntyminen äänenvaimentimen ympärille 2 voi aiheuttaa tulipalon. Tarkasta ja puhdista aina ennen käyttöä.

Jos äänenvaimentimessa on kipinäverkko 3, irrota kipinäverkko puhdistusta ja tarkistusta varten 50 tunnin välein tai joka kesä. Vaihda vaurioitunut verkko.

Varmista tasainen käynti puhdistamalla roskat keskipakosäätimen jousista, 4 nivelistä ja säätimistä.



Vaihda polttoainesuodatin 5. Tyhjennä polttoainesäiliö tai sulje polttoaineen sulkuventtiili ennen suodatintimen vaihtoa.

Puhdista jäähdytysjärjestelmä. Ruohosilppu ja roskat voivat tukkia moottorin jäähdytysjärjestelmän varsinkin pitkäaikaisessa käytössä. Sisäiset jäähdytysrivat ja -pinnat on puhdistettava, jottei moottori kuumene liikaa ja vaurioiduu. Poista puhaltimen kotelo ja puhdista kuvan 6 mukaisesti.

## Huoltokaavio

Noudata tunneittaisia tai kalenterin mukaisia huoltovälejä riippuen siitä, kumpi täytyy ensin. Alla mainituissa epäsuotuisissa oloissa huoltoa tarvitaan useammin.

### 5 ensimmäisen käyttötunnin jälkeen

- Vaihda öljy

### 5 tunnin välein tai päivittäin

- Tarkasta öljynpinta
- Puhdista äänenvaimentimen ympärys, jouset ja nivelet

### 25 tunnin välein tai joka kesä

- Vaihda öljy, jos kuormitat laitetta kovasti tai jos ympäristön lämpötila on korkea
- Huolla ilmanpuhdistimen esipuhdistin\*

### 50 tunnin välein tai joka kesä

- Vaihda öljy
- Puhdista ja tarkista kipinäsuojus, jos sellainen on

### 100 tunnin välein tai joka kesä

- Huolla ilmanpuhdistimen suodatin\*
- Vaihda polttoaineputken suodatin, jos sellainen on
- Vaihda/puhdista sytytystulppa
- Vaihda alennusvaihteen öljy, jos sellainen on
- Puhdista jäähdytysjärjestelmä\*

\* Puhdista useammin pölyisissä oloissa tai kun ilmassa on paljon roskaa tai ruohosilppua.

## Alkuperäisiä Briggs & Stratton varaosia

### Briggs & Briggs & Stratton (tai vastaava)

| Varaosa   | Varaosa No.       |
|---|-------------------|
| Öljy (20 oz.)   | 100005            |
| Öljy (48 oz.)   | 100028            |
| Tyhjennyspumppu (porakonekäyttöinen, Öljyn vaivattomaan poistoon kampikammista)               | 5056              |
| Bensiinin lisäaine (1 oz., 30 ml kertakäyttöpakkaus)  | 992030            |
| Bensiinin lisäaine (4,2 oz., 125 ml pullo)  | 999005E (5041)    |
| Polttoainesuodatin  | 298090 (5018)     |
| Polttoainesuodatin  | 394358 (493629)   |
| Ilmanpuhdistinpatruuna  | 492889            |
| Ilmanpuhdistimen esisuodatin  | 496077            |
| Vastussytytystulppa (mallit 19E400, 19F400, 19G400)   | 496018E           |
| Platinakärkitulppa  | 5066              |
| (mallit 19E400, 19F400, 19G400)   |                   |
| Häiriösuojattu sytytystulppa (mallit 192400, 802592E, 196400, 197400, 250400, 256400, 257400) |                   |
| Vakiotulppa   | 492167            |
| (mallit 192400, 196400, 197400, 250400, 256400, 257400)                                       |                   |
| Platina kärkitulppa   | 992041(5062)      |
| (mallit, 192400, 196400, 197400, 250400, 256400, 257400)                                      |                   |
| Kipinäkoetin  | 19368             |
| Tulppa-avain  | 89838 (5023)      |
| Kipinäsuojain   | 399541 tai 392390 |



## Varastointi

Yli 30 päiväksi varastoidut moottorit on suojattava tai tyhjennettävä polttoaineesta, jottei hartsia muodostu polttoainejärjestelmään tai tärkeisiin kaasuttimen osiin.

Moottorin suojaamiseen suosittelemme Briggs & Strattonin bensiinin lisäainetta, jota on saatavissa valtuutetusta Briggs & Stratton-huollosta. Sekoita lisäaine polttoaineeseen sekaan polttoainesäiliöön tai muuhun säiliöön. Käytä moottoria vähän aikaa, jotta lisäaine kiertää kaasuttimen läpi. Moottori ja polttoaine voidaan varastoida enintään 2 vuodeksi.

Huom: Jos lisäainetta ei käytetä tai jos moottori käy alkoholia sisältävällä bensiinillä, tyhjennä polttoainesäiliö kokonaan polttoaineesta ja käytä moottoria, kunnes se pysähtyy polttoaineen puutteeseen.

### 1. Vaihda öljyt. Katso kohtaa **Öljyhuolto**

(Ks. kuvia [2] [7]).

2. Poista sytytystulppa ja kaada noin 30 ml moottoriöljyä sylinteriin. Laita sytytystulppa takaisin paikalleen ja pyöritä moottoria hitaasti, jotta öljy levittyy kaikkialle.
3. Puhdista ruohosilppu ja roskat sylinteristä ja sylinterikannen jäähdytysrivoista, suojuksen alta ja äänenvaimentimen takaa.
4. Varastoi moottori puhtaaseen ja kuivaan paikkaan, mutta EI uunin tai vedenlämmittimen läheisyyteen, jossa on sytytysliekki tai jokin muu kipinää muodostava laite.

## Huolto

Ota yhteys valtuutettuun Briggs & Stratton-huoltoon. Siellä on varastossa alkuperäisiä Briggs & Strattonin osia ja käytettävissä erityisiä huoltotyökaluja. Koulutetut mekaanikot suorittavat asiantuntevasti kaikkien Briggs & Stratton-moottoreiden huollot. Ainoastaan "valtuutettuja Briggs & Stratton" jälleenmyyjiä vaaditaan täyttämään Briggs & Strattonin vaatimukset.

Ostaessasi Briggs & Stratton moottorilla varustetun tuotteen, palveluksessasi on yli 30000 valtuutettua, tehtaan korkeasti kouluttamaa jälleenmyyjää ympäri maailman, mukaanlukien yli 5000 Mes-tariasentajaa.



Löydät lähimmän valtuutetun Briggs & Stratton-huollon internet-sivuiltamme, [www.briggsandstratton.com](http://www.briggsandstratton.com)

kohdasta dealer locator map tai puhelinluettelon keltaisilta sivuilta™ kohdasta "moottorit, bensiini" tai "polttomoottorit" tai "ruohonleikkurit" tai jostakin muusta vastaavasta kohdasta.



Huom: Kävelevät sormet -logo ja "keltaiset sivut" voivat olla rekisteröityjä tavaramerkkejä eri maiden lainsäädännössä.

Kuvassa oleva korjaamokäsikirja sisältää "toimintaperiaatteita", yleisiä teknisiä tietoja ja yksityiskohtaista tietoa Briggs & Strattonin yksisy-linterisen, 4-tahtisen sivuventtiilimoottorin säätämisestä, huoltamisesta ja korjaamisesta. Tilaa numerolla 270962 valtuutetusta Briggs & Stratton -huollosta.

Vaadi alkuperäisiä Briggs & Stratton-vaihto-osia, joissa on meidän logomme pakkauksessa ja/tai osassa. Muut kuin alkuperäisosat eivät ehkä toimi yhtä hyvin ja saattavat mitätöidä takuun.

# BRIGGS & STRATTON -MOOTTORIN OMISTAJAN TAKUUKIRJA

Voimassa alkaen 1. tammikuuta, 2003 korvaten kaikki ilman päiväystä olevat takuut sekä kaikki takuut, jotka on päivätty ennen 1. tammikuuta, 2003

## RAJOITETTU TAKUU

“Briggs & Stratton Corporation korjaa tai vaihtaa veloituksetta moottorin osan tai osat, joissa on materiaali- tai valmistusvika tai molemmat. Tämän takuun nojalla korjattavaksi tai vaihdettavaksi lähetettyjen osien kuljetuskustannuksista vastaa ostaja. Tämä takuu on voimassa tässä takuukirjassa mainitun ajan ja tässä takuukirjassa mainittujen ehtojen mukaisesti. Halutessanne takuuhoitoa otakaa yhteys lähimpään valtuutettuun huoltoilikkeeseen, joka löytyy “keltaisilta sivuilta” kohdasta “moottorit, bensiini”, “polttomoottori”, “ruohonleikkurit” tai jostakin vastaavasta kohdasta.”

MUUTA ILMAISTUVA TAKUUTA EI OLE. OLETETUT VASTUUT. MUKAAN LUKIEN OLETETUT VASTUUT SOVELTUVUDESTA TAI SOPIVUUDESTA TIETTYYN KÄYTTÖTARKOITUKSEEN, RAJOITTUVA YHTEEN VUOTEEN ALKAEN OSTOPÄIVÄSTÄ, TAI LAIN SALLIMISSA PUITTEISSA TORJUTTAAN KAIKKI OLETETUT VASTUUT. VASTUUT VÄLILLISISTÄ VAHINGONKORVAUKSISTA TAKUUN NOJALLA TORJUTTAAN LAIN SALLIMISSA PUITTEISSA. Joissakin maissa takuujan rajoittamista ei sallita ja joissakin maissa takuun on katettava myös välilliset vahingot, joten yllä olevat rajoitukset eivät välttämättä koske Teitä. Tämä takuu antaa Teille nimenomaiset lailliset oikeudet ja Teillä voi olla myös muita Suomen lain mukaisia oikeuksia.

## MALLISARJAT

|                  |   |  |                 |              |
|------------------|---|--|-----------------|--------------|
| <b>VANGUARD™</b> | <b>ELS™</b><br><b>I/C®</b><br><b>Industrial Plus™</b><br><b>Intek™</b><br>(Sleeve Bore) | <b>Force™</b><br><b>Intek™</b> (Kool Bore)<br><b>Power Built™ OHV</b><br><b>QUANTUM®</b><br><b>Quattro™</b><br><b>Q45™</b><br><b>Sprint™</b> | <b>Classic™</b> | <b>Etek™</b> |
|------------------|---|--|-----------------|--------------|

## TAKUUAIKA\*

|                    |          |          |           |           |          |
|--------------------|----------|----------|-----------|-----------|----------|
| Yksityskäyttö      | 2 vuotta | 2 vuotta | 2 vuotta  | 1 vuotta  | 1 vuotta |
| Kaupallinen käyttö |          | 1 vuotta | 90 päivää | 90 päivää |          |

\* **Huomatkaa seuraavat poikkeavat takuajat:** kahdenvuoden takuu joka koskee Classic™ moottoreita jotka on myyty Euroopan Unionin alueella ja Itä-Euroopan maissa, kaikkia yksityiskäyttöön tarkoitettuja tuotteita Euroopan Unionin alueella sekä kaikkia päästöjä vähentäviä laitteistoja moottoreissa jotka ovat EPA ja CARB hyväksytyjä. Quantum ja Intek moottoreissa käytettäville Touch N Mow käynnistimille myönnetään viiden vuoden takuu yksityiskäytössä sekä 90 päivän takuu kaupallisessa käytössä. **Kilpa-ajoissa tai kaupallisilla tai vuokratuilla käytettäviä moottoreita takuu ei koske.**

Takuuaika alkaa ostokuitissa mainitusta päivämäärästä ja koskien ensimmäistä omistajaa tai kaupallista loppukäyttäjää, ja on voimassa yllä mainitun ajanjakson. Tässä takuukirjassa “yksityskäyttö” tarkoittaa yksityisten kuluttajien käytössä olevia talouksia. “Kaupallinen käyttö” tarkoittaa muita käyttökohteita, mukaan lukien kaupalliset, tuotteita tuottavat tai vuokrauskohteet. Jos moottori on ollut kaupallisessa käytössä, sitä pidetään sen jälkeen kaupalliseen käyttöön tarkoitettuna moottorina tämän takuun osalta. Kilpa-ajoissa tai kaupallisilla tai vuokratuilla käytettäviä moottoreita takuu ei koske.

**MITÄÄN TAKUUKORTTIA EI TARVITA TAKUUHUOLLON SAAMISEKSI BRIGGS & STRATTON -MOOTTOREILLE. OSTOKUITTI ON SÄILYTETTÄVÄ. MIKÄLI ET ESITÄ OSTOKUITTI TAKUUHUOLTOON TUOTAESSA, MOOTTORIN KODINUMEROA KÄYTETÄÄN TAKUUAJAN ALKAMISPÄIVÄMÄÄRÄNÄ. ERILLISTÄ TAKUUKORTTIA EI TARVITA TAKUUPALVELUN SAAMISEKSI.**

## TIETOJA MOOTTORIN TAKUUSTA

Briggs & Stratton suorittaa moottoreihinsa takuukorjauksia ja pahoittelee asiasta koituvaa vaivannäköä. Takuukorjauksia saavat suorittaa kaikki valtuutetut huoltopisteet. Useimmat takuukorjaukset hoidetaan rutiinomaisesti, mutta joskus takuukorjauspyynnöt eivät ole asianmukaisia. Takuu ei esimerkiksi ole voimassa, jos moottorivaurio on tapahtunut väärinkäytön, säännöllisen kunnossapidon laiminlyönnin, kuljetuksen, käsittelyn, varastoinnin tai väärän asennuksen johdosta. Samoin takuu on mitätön, jos moottorin sarjanumero on poistettu tai moottoria on jollakin tavoin muutettu.

Jos asiakas on eri mieltä huoltopisteen päätöksestä, takuun voimassaolon toteamiseksi suoritetaan tutkimus. Pyydä huoltoa toimittamaan kaikki asiat koskevat tosiasiat maahantuojaalle tai tehtaallesi tarkistusta varten. Jos maahantuoja tai tehdas päättää, että vaade on oikeutettu, asiakas saa täyden korvauksen viallisista osista. Asiakkaan ja jälleenmyyjän välisten väärinkäsitysten välttämiseksi alla on lueteltu muutamia moottorivaurioiden syitä, joita takuu ei kata.

### Normaali kulumisen:

Moottorit, kuten kaikki mekaaniset laitteet, vaativat ajoittaista osien uusimista ja huoltoa toimiakseen kunnolla. Takuu ei korvaa normaalin kulumisen aiheuttamia korjaus- kustannuksia.

### Epäasianmukainen kunnossapito:

Moottorin käyttöä riippuu käyttöolosuhteista ja sen saamasta huolenpidosta. Eräitä laitteita, kuten jyrnsimiä, pumppuja ja pyörivätersiä ruohonleikkureita, käytetään hyvin usein polyisissä tai likaisissa oloissa, jotka voivat johtaa ennenaikaiselta näyttävään kulumiseen. Takuu ei kata tällaista kulumista, kun se johtuu lian, pölyn tai syytystulpan puhdistuksessa käytetyn hiekkä-aineksen tai muun hiovan materiaalin pääsystä moottoriin epäasianmukaisen kunnossapidon seurauksena.

**Tämä takuu kattaa vain moottoriin liittyvät vialliset materiaalit ja/tai työvirheet eikä mitään vaihto-osia eikä korvausta laitteesta, johon moottori on kiinnitetty. Takuu ei myöskään kata seuraavista syistä johtuvia korjauksia:**

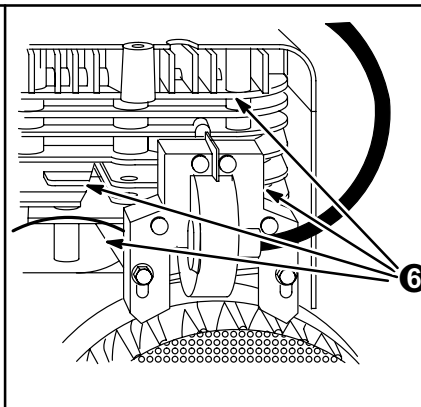
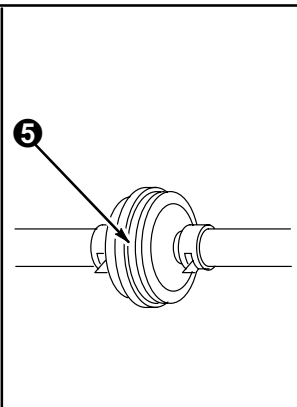
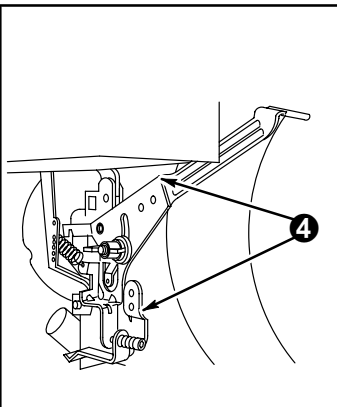
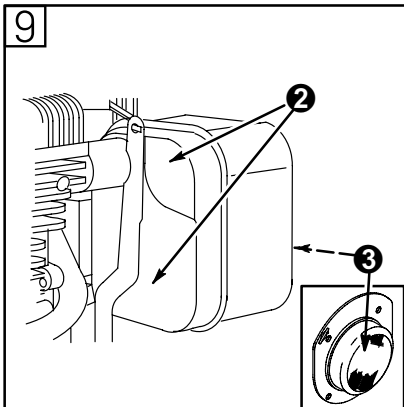
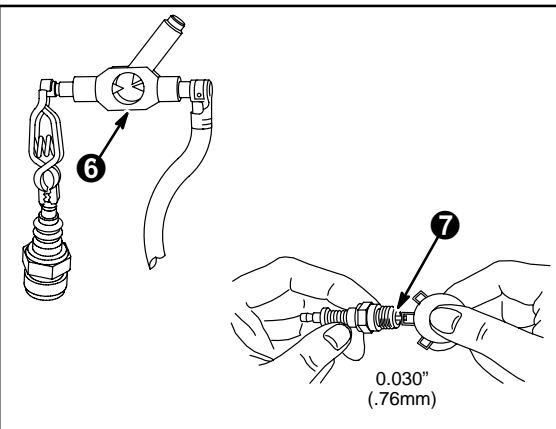
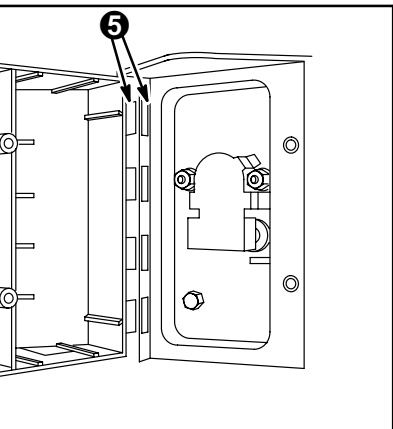
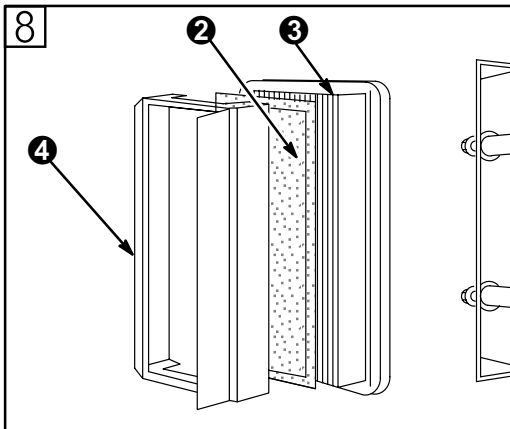
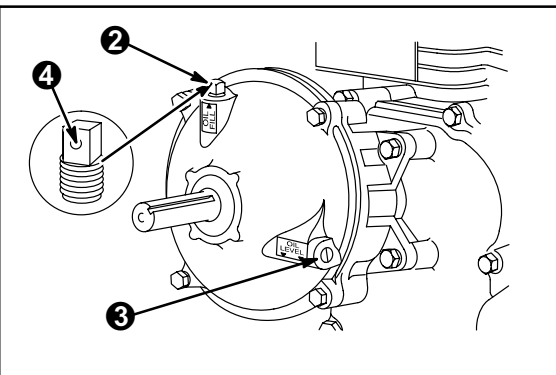
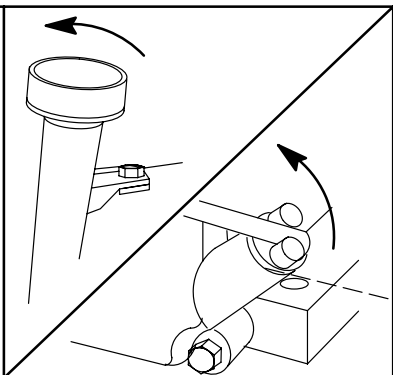
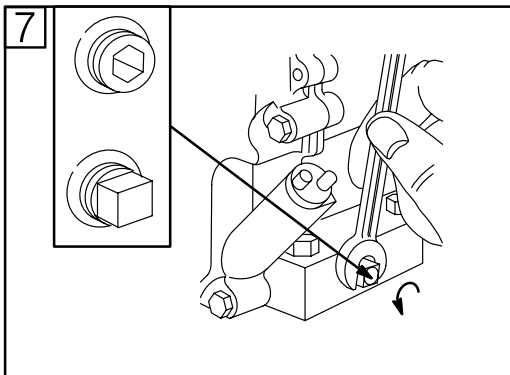
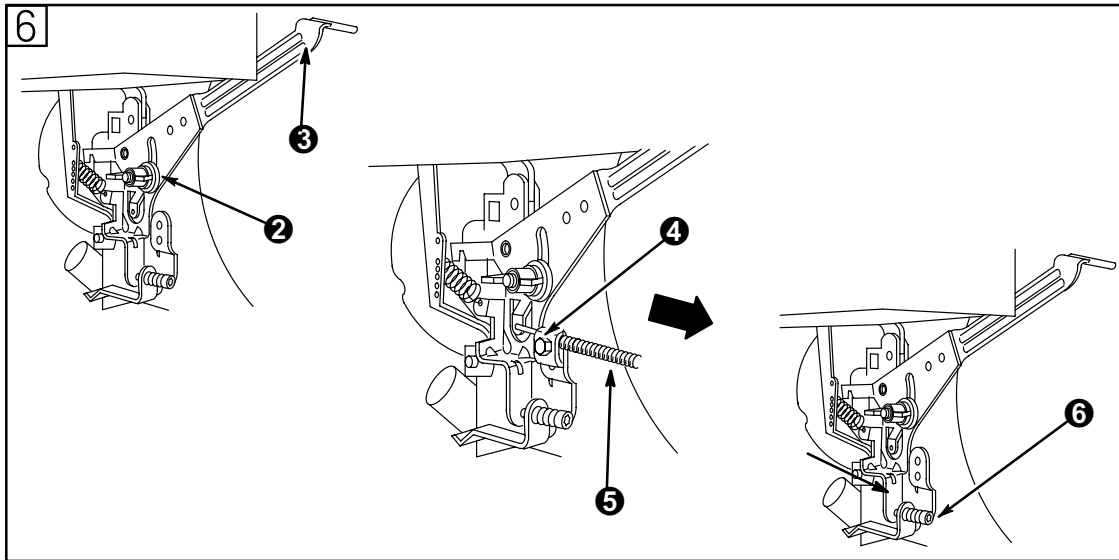
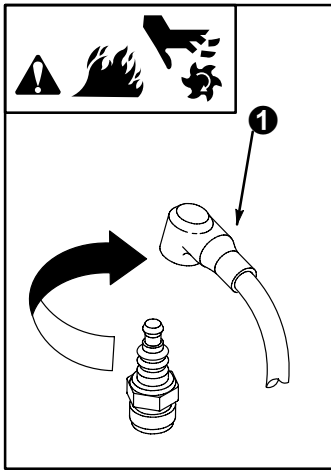
1. ONGELMAT AIHEUTUVAT OSISTA, JOTKA EIVÄT OLE ALKUPERÄISIÄ BRIGGS & STRATTON-OSIA.
2. Laitteen säätimet tai asennukset, jotka estävät käynnistyksen, heikentävät moottorin suorituskykyä tai lyhentävät sen elinikää. (Ota yhteys laitteen valmistajaan.)
3. Kaasutinvuodot, tukkuneet polttoainepulket, juutuneet venttiilit tai muut vauriot ovat aiheutuneet likaantuneesta tai vanhasta polttoaineesta. (Käytä puhdasta, tuoretta ja lylytöntä bensiiniä sekä Briggs & Strattonin bensiinin lisäainetta, tuotenro 5041.)
4. Osat, jotka ovat rikkoutuneet tai leikkaneet kiinni puutteellisesta voiteluöljyn määrästä tai väärästä öljyn viskositeetista johtuen (tarkasta öljy päivittäin tai 8 käyttötunnin välein. Lisää tarvittaessa ja vaihda suositelluihin jaksoin.) OIL GARD®-öljyvähti ei välttämättä sammuta käyvää moottoria. Moottorivaurio on mahdollinen jos öljytasosta ei huolehdita. Lue Käyttö- ja huolto-ohjeet.
5. Moottorin liittyvien osien tai kokoonpanojen korjaus tai säätö, kuten esim. kytkimet, voimansiirto, kaukosäätölaitteet, jne., jotka eivät ole Briggs & Strattonin valmistamia.
6. Osien vauriot tai kulumiset, mitkä johtuvat moottoriin päässeenä liasta ilmanpuhdistimen epäasianmukaisen kunnossapidon seurauksena, osien kokoonpanosta tai muun kuin alkuperäisen ilmanpuhdistimeen tai suodattimen käytöstä. (Puhdista ja öljyä suositelluin aikavälein Oil-Foam®-elementti tai

esipuhdistimen vaahdokumi ja vaihda suodatin.) Lue “käyttö- ja huolto-ohjeet”.

7. Osat, jotka ovat vaurioituneet ylikiirrosten takia tai liiallisen kuumentumisen takia ruohon, roskien tai lian tukkiessa jäähdytysrivat tai juoksupyörän alueen, taikka vauriot, jotka ovat aiheutuneet moottorin käyttämisestä suljetussa tilassa ilman riittävää ilmanvaihtoa. (Puhdista sylinterin rivat, sylinterin kansi ja juoksupyörä suositelluin aikavälein.) Lue “käyttö- ja huolto-ohjeet”.
8. Moottori tai laitteen osat ovat rikkoutuneet liiallisesta tärinästä, joka on aiheutunut moottorin löysästä kiinnityksestä, löysistä leikkuteristä, epätasapainossa olevista teristä tai löysistä tai epätasapainossa olevista tuulettimista, laitteen sopimattomasta kiinnityksestä moottorin kampiakseliin, ylikiirroksista tai muusta väärinkäytöstä.
9. Taipunut tai rikkoutunut kampiakseli, jonka on aiheuttanut pyörivän ruohonleikkurin leikkausterän iskeytyminen kiinteään esineeseen tai liian tiukalla ollut kiilahlina.
10. Moottorin tavanomainen virtitys tai säätö.
11. Moottorin tai moottorin osan pettäminen, ts. poltokammio, venttiilit, venttiili-istukat, venttiiliohjaimet tai palanut käynnistimoottorin kääntymis, joka on aiheutunut vaihto-osien polttoaineen käytöstä; näistä esimerkkeinä nestekaasu, maakaasu, käsitellyt bensiini, jne.

**Takuukorjauksen suorittavat ainoastaan ne huoltoilikkeet, jotka ovat Briggs & Stratton Corporationin valtuuttamia. Lähin valtuutettu huoltoilike löytyy puhelinluettelon “keltaisilta sivuilta” kohdasta “moottorit, bensiini” tai “polttomootorit”, “ruohonleikkurit” tai muusta vastaavasta kohdasta.**

| Briggs & Stratton-moottoreita koskevat yksi tai useampi seuraavista patenteista: Design D-247.177 (muut patentit haussa) |           |           |           |           |           |           |           |           |           |              |
|--|-----------|-----------|-----------|-----------|-----------|-----------|-----------|-----------|-----------|--------------|
| 6,325,036  | 6,077,063 | 5,819,513 | 5,606,948 | 5,497,679 | 5,235,943 | 5,138,996 | 4,996,956 | 4,633,556 | 4,430,984 | DES. 308,871 |
| 6,284,123  | 6,064,027 | 5,813,384 | 5,606,851 | 5,320,795 | 5,197,425 | 5,086,890 | 4,977,879 | 4,630,498 |           | DES. 308,872 |
| 6,260,529  | 6,014,808 | 5,765,713 | 5,548,955 | 5,271,363 | 5,197,422 | 5,070,829 | 4,971,219 | 4,522,080 |           | DES. 309,457 |
| 6,230,678  | 5,894,715 | 5,645,025 | 5,546,901 | 5,269,713 | 5,191,864 | 5,058,544 | 4,895,119 | 4,520,288 |           | DES. 356,951 |
| 6,202,616  | 5,852,951 | 5,642,701 | 5,503,125 | 5,265,700 | 5,188,069 | 5,040,644 | 4,819,593 | 4,512,499 |           | DES. 361,771 |
| 6,116,212  | 5,823,153 | 5,619,845 | 5,501,203 | 5,243,878 | 5,186,142 | 5,009,208 | 4,719,682 | 4,453,507 |           | DES. 375,963 |



**Briggs & Stratton Corporation (B&S), the California Air Resources Board (CARB) and the United States Environmental Protection Agency (U.S. EPA) Emission Control System Warranty Statement (Owner's Defect Warranty Rights and Obligations)**

EMISSION CONTROL WARRANTY COVERAGE IS APPLICABLE TO CERTIFIED ENGINES PURCHASED IN CALIFORNIA IN 1995 AND THEREAFTER, WHICH ARE USED IN CALIFORNIA, AND

TO CERTIFIED MODEL YEAR 1997 AND LATER ENGINES WHICH ARE PURCHASED AND USED ELSEWHERE IN THE UNITED STATES (AND AFTER JANUARY 1, 2001 IN CANADA).

**California, United States and Canada Emission Control Defects Warranty Statement**

The California Air Resources Board (CARB), U.S. EPA and B&S are pleased to explain the Emission Control System Warranty on your model year 2000 and later small off-road engine (SORE). In California, new small off-road engines must be designed, built and equipped to meet the State's stringent anti-smog standards. Elsewhere in the United States, new non-road, spark-ignition engines certified for model year 1997 and later, must meet similar standards set forth by the U.S. EPA. B&S must warrant the emission control system on your engine for the periods of time listed below, provided there has been

no abuse, neglect or improper maintenance of your small off-road engine. Your emission control system includes parts such as the carburetor, air cleaner, ignition system, muffler and catalytic converter. Also included may be connectors and other emission related assemblies. Where a warrantable condition exists, B&S will repair your small off-road engine at no cost to you including diagnosis, parts and labor.

**Briggs & Stratton Emission Control Defects Warranty Coverage**

Small off-road engines are warranted relative to emission control parts defects for a period of two years, subject to provisions set forth below. If any covered part on your engine is defective, the part will be repaired or replaced by B&S.

**Owner's Warranty Responsibilities**

As the small off-road engine owner, you are responsible for the performance of the required maintenance listed in your Operating and Maintenance Instructions. B&S recommends that you retain all your receipts covering maintenance on your small off-road engine, but B&S cannot deny warranty solely for the lack of receipts or for your failure to ensure the performance of all scheduled maintenance.

You are responsible for presenting your small off-road engine to an Authorized B&S Service Dealer as soon as a problem exists. The undisputed warranty repairs should be completed in a reasonable amount of time, not to exceed 30 days.

If you have any questions regarding your warranty rights and responsibilities, you should contact a B&S Service Representative at 1-414-259-5262.

As the small off-road engine owner, you should however be aware that B&S may deny you warranty coverage if your small off-road engine or a part has failed due to abuse, neglect, improper maintenance or unapproved modifications.

The emission warranty is a defects warranty. Defects are judged on normal engine performance. The warranty is not related to an in-use emission test.

**Briggs & Stratton Emission Control Defects Warranty Provisions**

The following are specific provisions relative to your Emission Control Defects Warranty Coverage. It is in addition to the B&S engine warranty for non-regulated engines found in the Operating and Maintenance Instructions.

1. Warranted Parts

Coverage under this warranty extends only to the parts listed below (the emission control systems parts) to the extent these parts were present on the engine purchased.

- a. Fuel Metering System
  - Cold start enrichment system (soft choke)
  - Carburetor and internal parts
  - Fuel Pump
- b. Air Induction System
  - Air cleaner
  - Intake manifold
- c. Ignition System
  - Spark plug(s)
  - Magneto ignition system
- d. Catalyst System
  - Catalytic converter
  - Exhaust manifold
  - Air injection system or pulse valve
- e. Miscellaneous Items Used in Above Systems
  - Vacuum, temperature, position, time sensitive valves and switches
  - Connectors and assemblies

2. Length of Coverage

B&S warrants to the initial owner and each subsequent purchaser that the Warranted Parts shall be free from defects in materials and workmanship which caused the failure of the Warranted Parts for a period of two years from the date the engine is delivered to a retail purchaser.

3. No Charge

Repair or replacement of any Warranted Part will be performed at no charge to the owner, including diagnostic labor which leads to the determination that a Warranted Part is defective, if the diagnostic work is performed at an Authorized B&S Service Dealer. For emissions warranty service contact your nearest Authorized B&S Service Dealer as listed in the "Yellow Pages" under "Engines, Gasoline," "Gasoline Engines," "Lawn Mowers," or similar category.

4. Claims and Coverage Exclusions

Warranty claims shall be filed in accordance with the provisions of the B&S Engine Warranty Policy. Warranty coverage shall be excluded for failures of Warranted Parts which are not original B&S parts or because of abuse, neglect or improper maintenance as set forth in the B&S Engine Warranty Policy. B&S is not liable to cover failures of Warranted Parts caused by the use of add-on, non-original, or modified parts.

5. Maintenance

Any Warranted Part which is not scheduled for replacement as required maintenance or which is scheduled only for regular inspection to the effect of "repair or replace as necessary" shall be warranted as to defects for the warranty period. Any Warranted Part which is scheduled for replacement as required maintenance shall be warranted as to defects only for the period of time up to the first scheduled replacement for that part. Any replacement part that is equivalent in performance and durability may be used in the performance of any maintenance or repairs. The owner is responsible for the performance of all required maintenance, as defined in the B&S Operating and Maintenance Instructions.

6. Consequential Coverage

Coverage hereunder shall extend to the failure of any engine components caused by the failure of any Warranted Part still under warranty.

**Look For Relevant Emission Durability Period and Air Index Information On Your Engine Emission Label**

Engines that are certified to meet the California Air Resources Board (CARB) Tier 2 Emission Standards must display information regarding the Emissions Durability Period and the Air Index. Briggs & Stratton makes this information available to the consumer on our emission labels. The engine label will indicate certification information.

The **Emission Durability Period** describes the number of hours of actual running time for which the engine is certified to be emission compliant, assuming proper maintenance in accordance with the Operating & Maintenance Instructions. The following categories are used:

**Moderate:** Engine is certified to be emission compliant for 125 hours of actual engine running time.

**Intermediate:** Engine is certified to be emission compliant for 250 hours of actual engine running time.

**Extended:** Engine is certified to be emission compliant for 500 hours of actual engine running time.

For example, a typical walk-behind lawn mower is used 20 to 25 hours per year. Therefore, the **Emission Durability Period** of an engine with an **intermediate** rating would equate to 10 to 12 years.

The **Air Index** is a calculated number describing the relative level of emission for a specific engine family. The lower the **Air Index**, the cleaner the engine. This information is displayed in graphical form on the emission label.

**After July 1, 2000, Look For Emissions Compliance Period On Engine Emissions Compliance Label**

After July 1, 2000 certain Briggs & Stratton engines will be certified to meet the United States Environmental Protection Agency (USEPA) Phase 2 emission standards. For Phase 2 certified engines, the Emissions Compliance Period referred to on the Emissions Compliance label indicates the number of operating hours for which the engine has been shown to meet Federal emission requirements. For engines less than 225 cc displacement, Category C = 125 hours, B = 250 hours and A = 500 hours. For engines of 225 cc or more, Category C = 250 hours, B = 500 hours and A = 1000 hours.

The displacement of Model Series 190000 engines is 319 cc. The displacement of Model Series 250000 engines is 400 cc.

**This is a generic representation of the emission label typically found on a certified engine.**

