



# Zoom

## Parts Manual

---

A faded, grayscale image of an Ariens Zoom riding lawn mower is positioned in the background. The mower is shown from a three-quarter front view, highlighting its seat, steering levers, and front deck.

### Models

915075 - Zoom 1640

915077 - Zoom 1840

915079 - Zoom 2044

915081 - Zoom 2348

915083 - Zoom 2552

915317 - Zoom 1540

915318 - Zoom 1744

## THE MANUAL

---

Before you operate your unit, carefully and completely read manuals supplied with the unit. The contents will provide you with an understanding of safety instructions and controls during normal operation and maintenance.

For your safety and the safety of others always read, understand, and follow all DANGER, WARNING, and CAUTION messages found in manuals and on safety decals.

Hardware descriptions are given in decimals.

Decimals to Fractions			
.063	1/16	.563	9/16
.125	1/8	.625	5/8
.188	3/16	.688	11/16
.250	1/4	.750	3/4
.313	5/16	.813	13/16
.375	3/8	.875	7/8
.438	7/16	.938	15/16
.500	1/2	1.00	1

## SERVICE AND REPLACEMENT PARTS

---

When ordering replacement parts or making service inquiries, know the Model and Serial numbers of your unit and engine.

Numbers are located on the product registration card in the unit literature package. They are printed on a serial number label, located on the frame of your unit.

• Record Unit Model and Serial numbers here:

• Record Engine Model and Serial numbers here:

### UNAUTHORIZED REPLACEMENT PARTS

Use only Ariens replacement parts. The replacement of any part on this vehicle with anything other than an Ariens authorized replacement part may adversely affect the performance, durability, or safety of this unit and may void the warranty. Ariens disclaims liability for any claims or damages, whether warranty, property damage, personal injury or death arising out of the use of unauthorized replacement parts.

## PRODUCT REGISTRATION

---

The Ariens dealer must register the product at the time of purchase. Registering the product will help the company process warranty claims or contact you with the latest service information. All claims meeting requirements during the limited warranty period will be honored, whether or not the product registration card is returned. Keep a proof of purchase if you do not register your unit.

**Customer Note:** If Dealer does not register your product, please fill out, sign and return the product registration card to Ariens or go to [www.ariens.com](http://www.ariens.com).

## YOUR SATISFACTION IS IMPORTANT

---

**Questions? Please follow these helpful steps:**

1. Refer to the manuals supplied with your unit.  
They will guide you through safe and proper operation and maintenance.  
They contain specifications on your unit.  
If your questions are not answered in these manuals, go to step number two.
2. Contact Your Dealer.  
Our dealers will be happy to supply any service or advice required to keep your unit operating at peak efficiency.

A factory trained staff is available to support your equipment needs. They stock genuine Ariens parts and lubricants manufactured with the same precision and skill as the original.

If your questions are not resolved by the support staff, ask for the manager or owner.

When contacting your Dealer supply your model and serial numbers.

### TO SPEED PARTS ORDERING:

1. Know the model and serial numbers of your unit.
2. Know the part number required.
3. Know the quantity required.
4. Know the part description.

## MODELS

---

### **Model 915075 (Zoom 1640)**

16hp Kohler with 40" Mower Deck  
Serial No. 025000 and up

### **Model 915077 (Zoom 1840)**

18hp Kohler with 40" Mower Deck  
Serial No. 025000 and up

### **Model 915079 (Zoom 2044)**

20hp Kohler with 44" Mower Deck  
Serial No. 025000 and up

### **Model 915081 (Zoom 2348)**

23hp Kohler with 48" Mower Deck  
Serial No. 025000 and up

### **Model 915083 (Zoom 2552)**

25hp Kohler with 52" Mower Deck  
Serial No. 025000 and up

### **Model 915317 (Zoom 1540)**

15hp Kawasaki with 40" Mower Deck  
Serial No. 025000 and up

### **Model 915318 (Zoom 1744)**

17hp Kawasaki with 44" Mower Deck  
Serial No. 025000 and up

## TABLE OF CONTENTS

---

### **DECALS**

---

Decals . . . . . 4

### **MAIN FRAME AND TRANSAXLES**

---

Frame, Hood and Footrest . . . . . 8  
Seat and Support . . . . . 10  
Front Axle, Tires and Bumper . . . . . 12  
Transaxle, Dump Valves and Rear Wheels . . . . . 13

### **OPERATOR CONTROLS**

---

Parking Brake . . . . . 14  
Steering Controls . . . . . 16

### **FUEL TANKS AND ENGINE**

---

Fuel Tank . . . . . 18  
Engine, Exhaust, Belt and Idlers . . . . . 20

### **ELECTRICAL SYSTEM**

---

Electrical System . . . . . 22  
Continuity Diagrams . . . . . 24  
Wiring Diagrams . . . . . 25

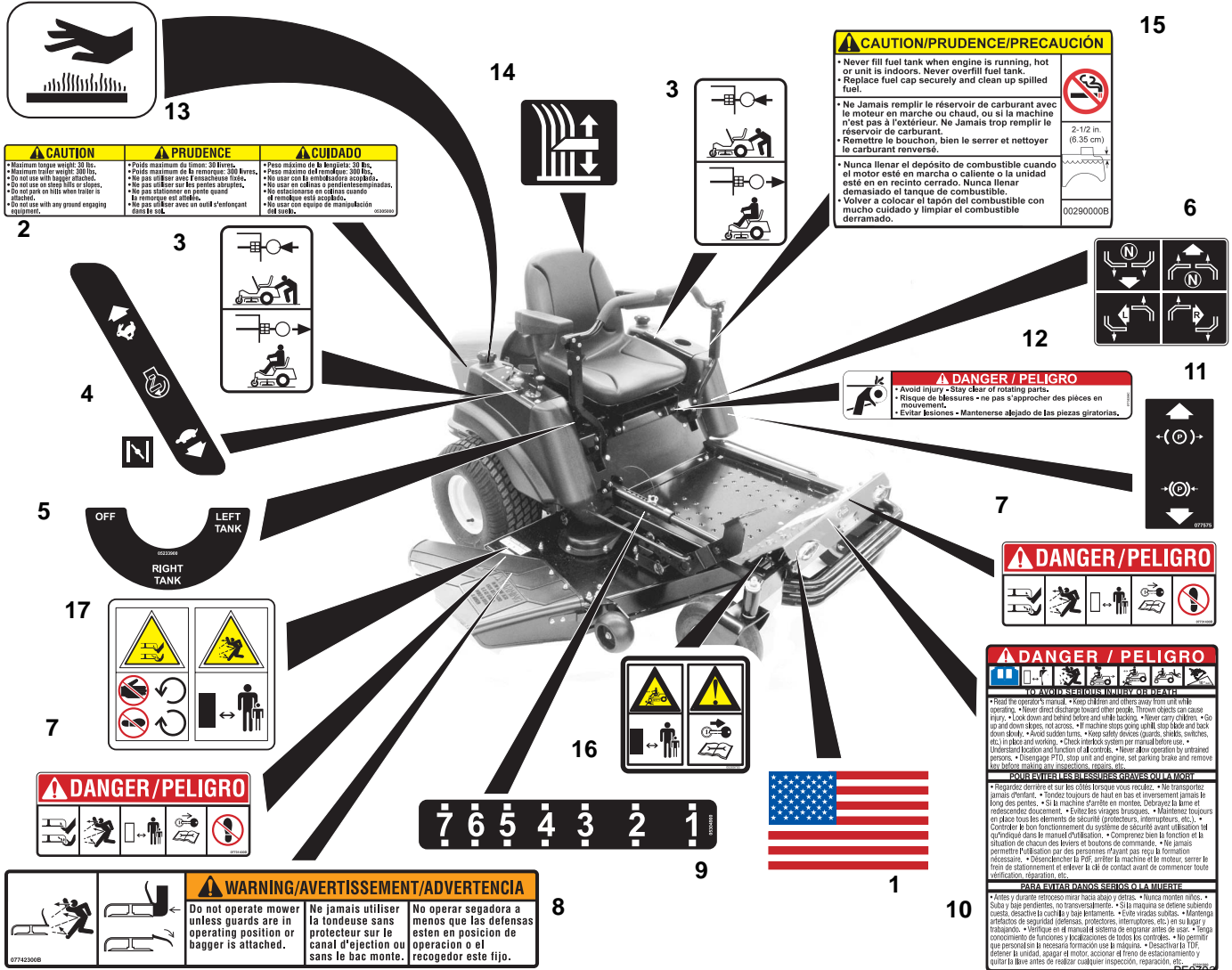
### **MOWER DECKS**

---

Mower Deck Lift . . . . . 27  
Mower Deck, Belt, Idlers and Blades . . . . . 28  
Baffles and Chute . . . . . 30  
Handle and Stabilizer Brackets . . . . . 32  
Mower Brackets and Rollers . . . . . 34

# DECALS-SAFETY

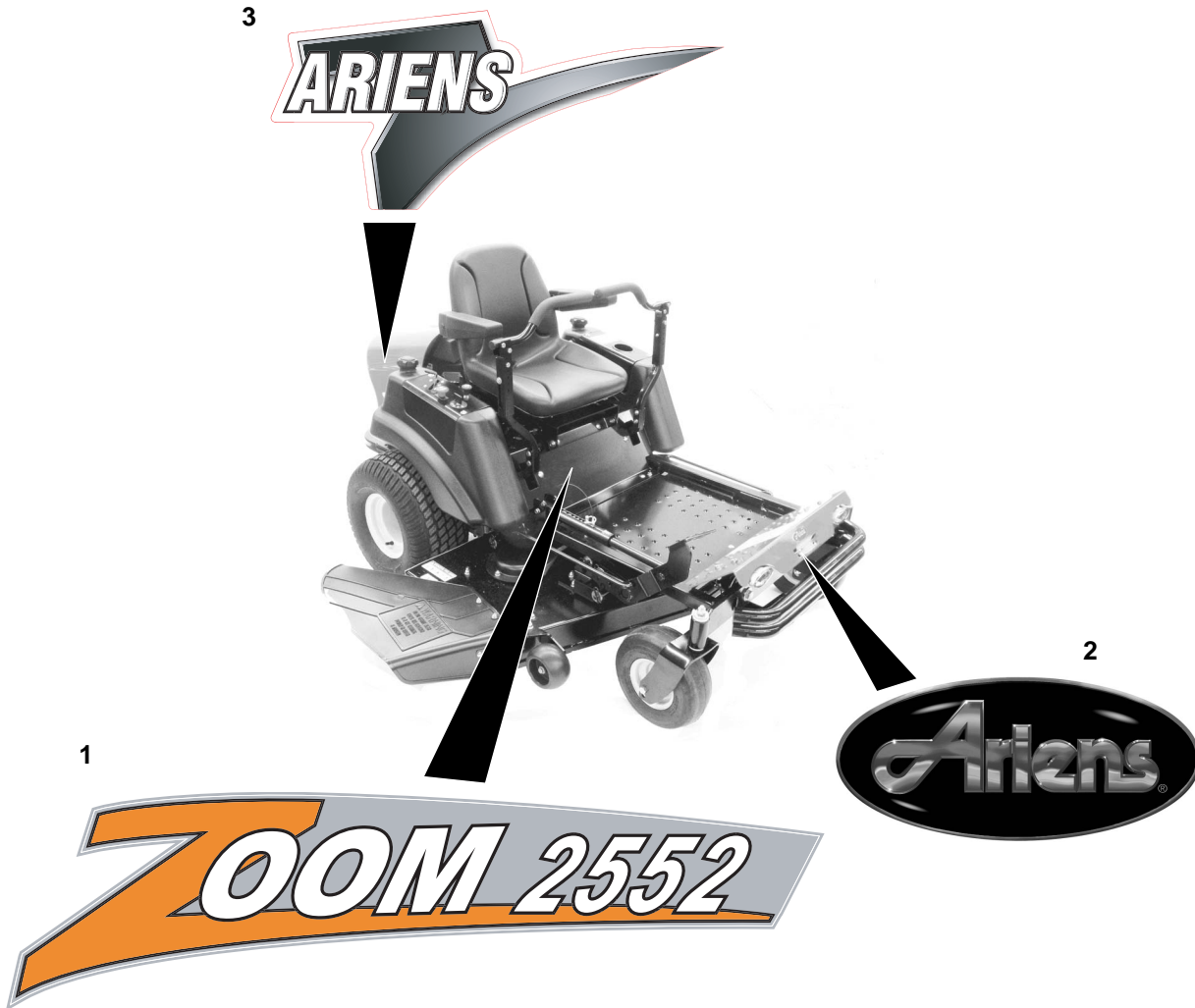
Model 915075, 077, 079, 081, 083, 317, 318



Item	Part No.	Qty.	Description
1	05305100	1	Decal, American Flag
2	05305000	1	Decal, Trailer Hitch
3	05305200	2	Decal, Transmission Disconnect
4	05301400	1	Decal, Control
5	05233900	1	Decal, Fuel Valve
6	07757600	1	Decal, Instructional Steering
7	07731400	2	Decal, Mower Pan Head Danger
8	07742300	1	Decal, Warning
9	05304900	1	Decal, Cut Height Zoom
10	05301500	1	Decal, Bilingual Danger
11	07757500	1	Decal, Parking Brake Lever
12	07735200	1	Decal, Danger
13	07754100	1	Decal, Hot Surface
14	08088400	1	Decal, Cut Height
15	00290000	1	Decal, Fuel Warning
16	05309700	1	Decal, CE Caution (317, 318)
17	05309800	1	Decal, CE Deck (317, 318)

# DECALS-STYLE

Model 915075, 077, 079, 081, 083, 317, 318

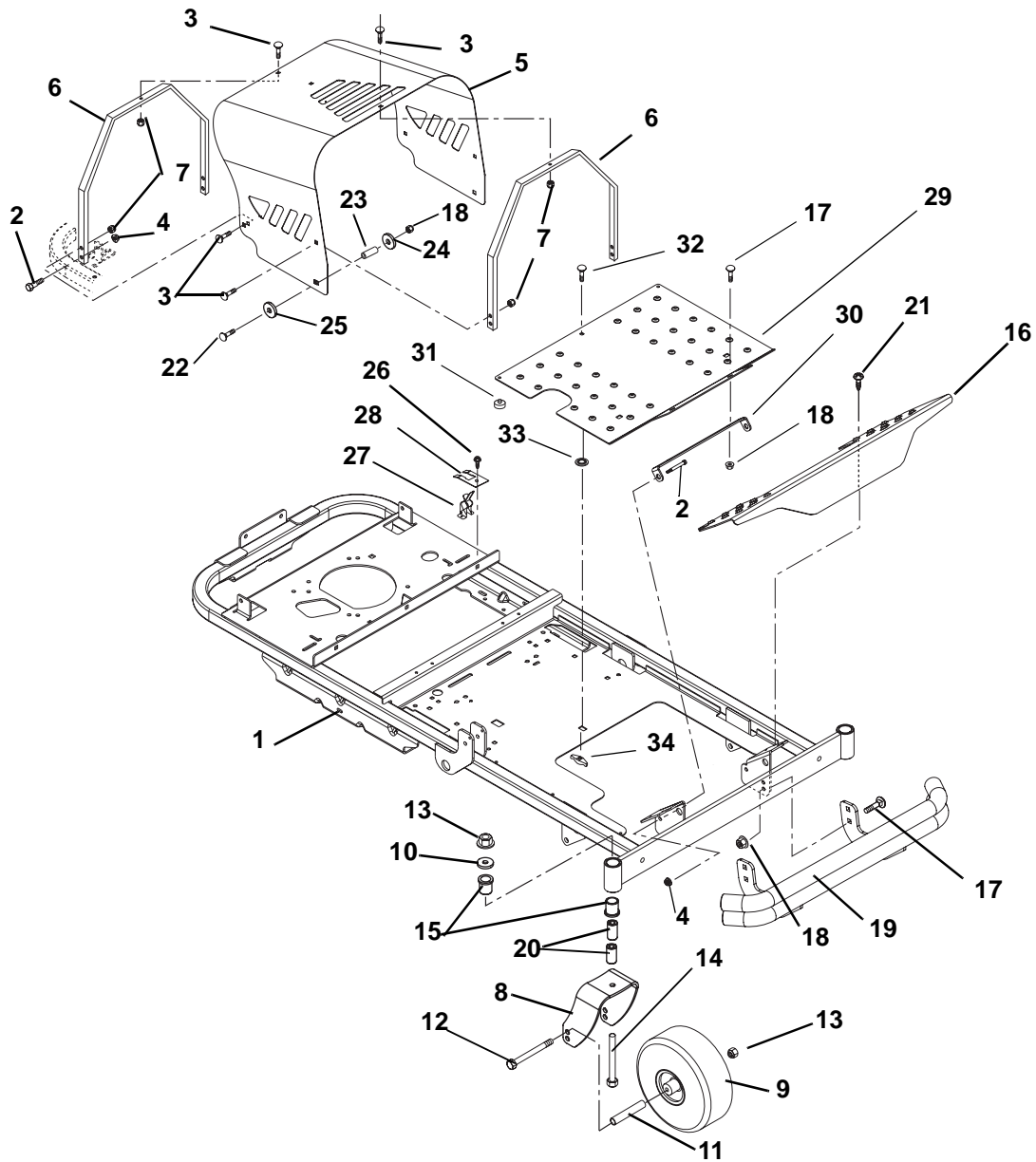


PE0800

Item	Part No.	Qty.	Description
1	05308000	1	Decal-Zoom 1640 (075)
	05308100	1	Decal-Zoom 1540 (317)
	05308200	1	Decal-Zoom 1840 (077)
	05308300	1	Decal-Zoom 2044 (079)
	05308400	1	Decal-Zoom 2348 (081)
	05308500	1	Decal Zoom 2552 (083)
	05308600	1	Decal-Zoom 1744 (318)
2	05303100	1	Decal-Ariens Jewel
3	00370500	2	Decal, Zoom Hood

# FRAME, HOOD, FOOTREST, CASTERS AND TIRES

Model 075, 077



PE0152

# FRAME, HOOD, FOOTREST, CASTERS AND TIRES

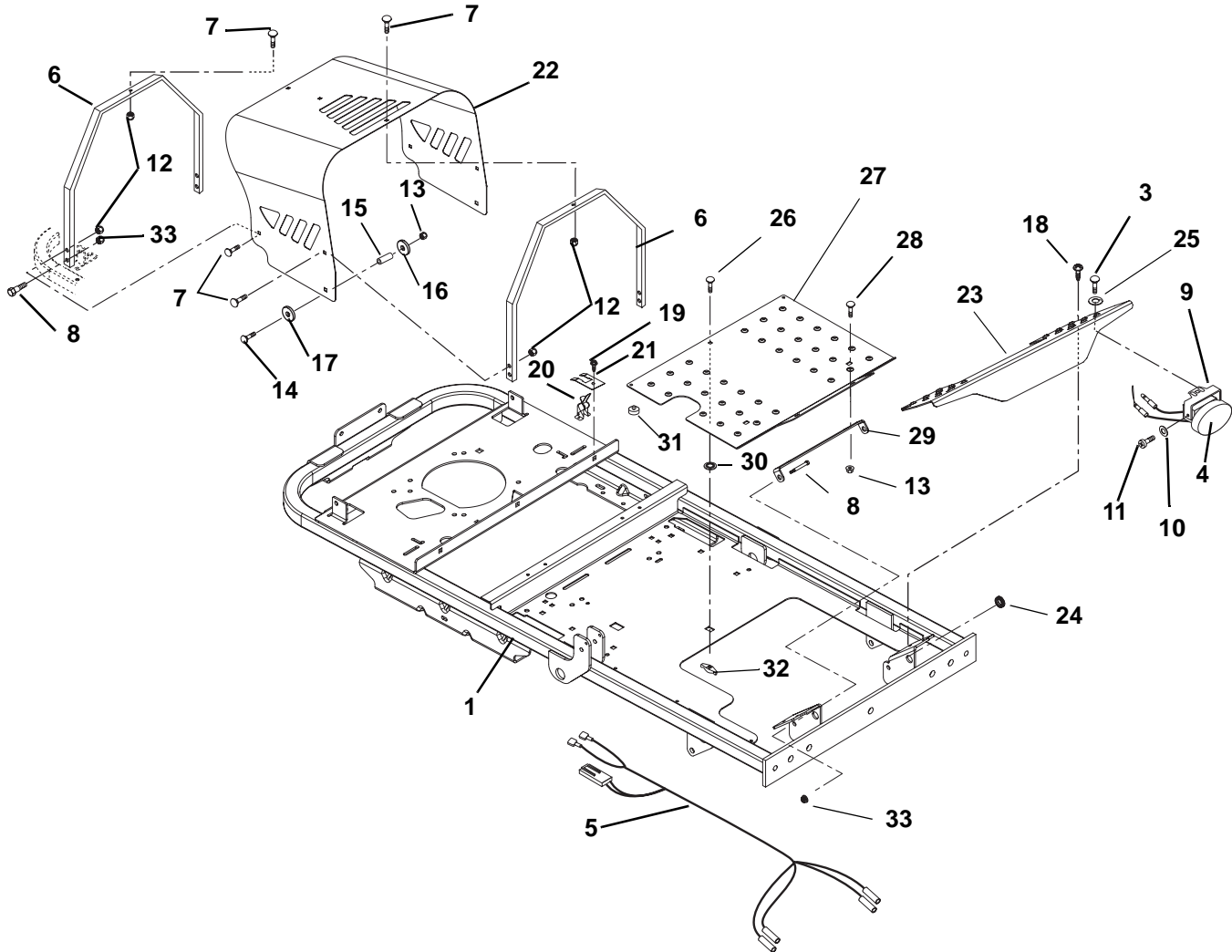
---

Model 075, 077

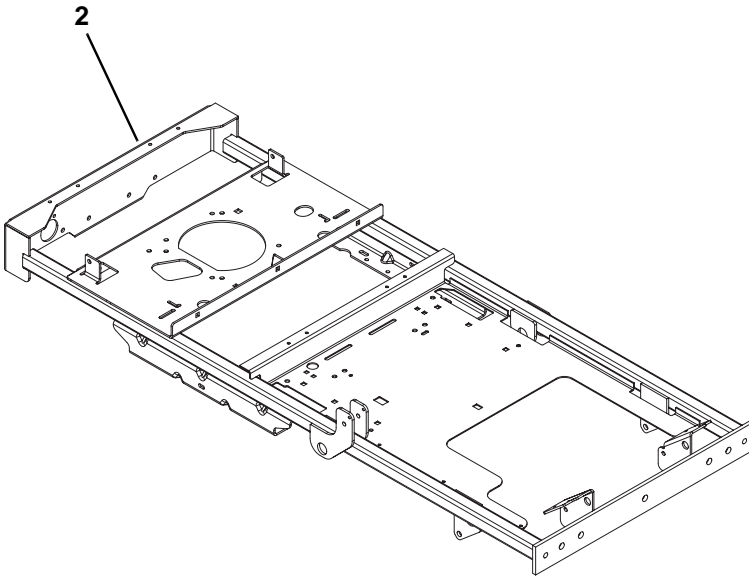
Item	Part No.	Qty.	Description
1	00458351	1	Weldment, Frame (075, 077)
2	07056700	4	Bolt, Shoulder .375-16 x .135
3	06212200	6	Bolt, Round Head Square Neck .31-18 x .62
4	06542000	4	Nut, Locking Top Flange .38-16
5	00454259	1	Engine Hood
6	01605151	2	Brace, Hood
7	06543100	6	Nut, Locking Top Flange .31-18
8	00469351	2	Fork, Caster
9	01588100	2	Assembly, Tire 4 x 11- 4 Ply
10	06436400	2	Washer, Flat Steel .511 x 1.441 x .125
11	00278500	2	Spacer, Wheel
12	05964400	2	Bolt, Hex .50-13 x 6.50 Grade 5
13	06543600	2	Nut, Locking Top Flange .50-13
14	05962200	2	Bolt, Hex .50-13 x 5.00 Grade 5
15	05533600	4	Bushing, Flange 1.00 x 1.25 x 1.50 x 1.50
16	00457859	1	Foot Rest
17	06223600	6	Bolt, Round Head Square Neck .38-16 x 1.00 Grade 5
18	06545500	8	Nut, .38-16 Flange Nyloc
19	00482151	1	Bumper, Zoom
20	00363100	4	Spacer, Caster
21	07411500	4	Screw, Tap .31-18 x .50
22	06220500	2	Bolt, Round Head Square Neck .38-16 x 2.00 Grade 5
23	00363800	2	Hood Snap
24	06425500	2	Washer, Flat Steel .375 x 1.125 x .065
25	06441900	2	Washer, Flat Steel .531 x 1.06 x .095
26	07412000	2	Screw, Tap .25-20 x .50
27	00366700	2	Hood Clip
28	00372700	2	Bracket, Hood Clip
29	00457951	1	Plate, Deck Access
30	00458051	1	Bracket, Deck Access
31	07503100	2	Grommet, Bumper
32	06216100	1	Bolt, Round Head Square Neck .31-18 x 1.0 Grade 5
33	06514900	1	Nut, Push .312
34	07531700	1	Knob, Wing .312-18

# FRAME, HOOD AND FOOTREST

Model 079, 081, 083, 317, 318



PE0731





# FRAME, HOOD AND FOOTREST

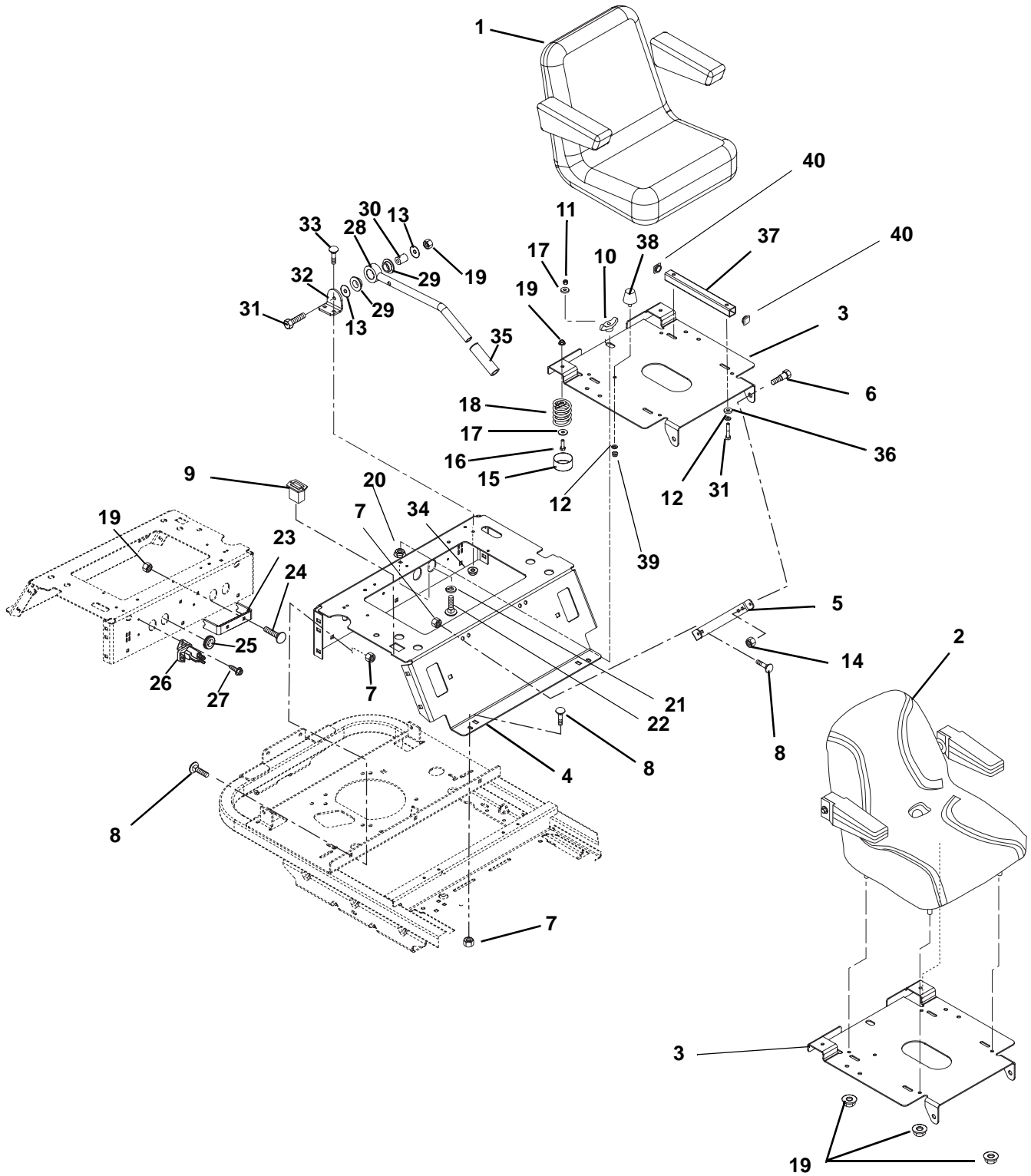
---

Model 079, 081, 083, 317, 318

Item	Part No.	Qty.	Description
1	00458151	1	Weldment, Frame (079, 081, 083)
2	00458851	1	Welment, Frame (317, 318)
3	07008100	2	Screw-Cap Button Head .31-18 x .50 Grade 5
4	01588200	2	Assembly, Light (Includes Halogen H3 12 Volt 55 Watt Bulb)
5	00474000	1	Harness, Light
6	01605151	2	Brace, Hood
7	06212200	6	Bolt, Round Head Square Neck .31-18 x .62
8	07056700	4	Bolt, Shoulder .375-16 x .135
9	01603100	2	Bracket, Light
10	06311200	4	Washer, Locking 4MM x 1MM Regular Cone Lock
11	05980400	4	Screw, Socket Head Cap M4 x .07 x 8
12	06543100	6	Nut-Locking-Top-Flange .31-18
13	06545500	4	Nut, .38-16 Flange Nyloc
14	06220500	2	Bolt, Round Head Square Neck .38-16 x 2.00 Grade 5
15	00363800	2	Hood Snap
16	06425500	2	Washer, Flat Steel .375 x 1.125 x .065
17	06441900	2	Washer, Flat Steel .531 x 1.06 x .095
18	07411500	4	Screw, Tap .31-18 x .50
19	07412000	2	Screw, Tap .25-20 x .50
20	00366700	2	Hood Clip
21	00372700	2	Bracket, Hood Clip
22	00454259	1	Hood, Zoom
23	00457859	1	Foot Rest
24	07500010	1	Grommet, Rubber .38 I.D.
25	06308600	2	Washer, Locking .31 x .078
26	06216100	1	Bolt, Round Head Square Neck .31-18 x 1.00 Grade 5
27	00457951	1	Plate, Deck Access
28	06223600	6	Bolt, Round Head Square Neck .38-16 x 1.00 Grade 5
29	00458051	1	Bracket, Deck Access
30	06514900	1	Nut, Push .312
31	07503100	2	Grommet, Bumper
32	07531700	1	Knob, Wing .312-18
33	06542000	4	Nut-Locking-Top-Flange .31-16

# SEAT AND SEAT SUPPORT

Model 915075, 077, 079, 081, 083, 317, 318



PE0811

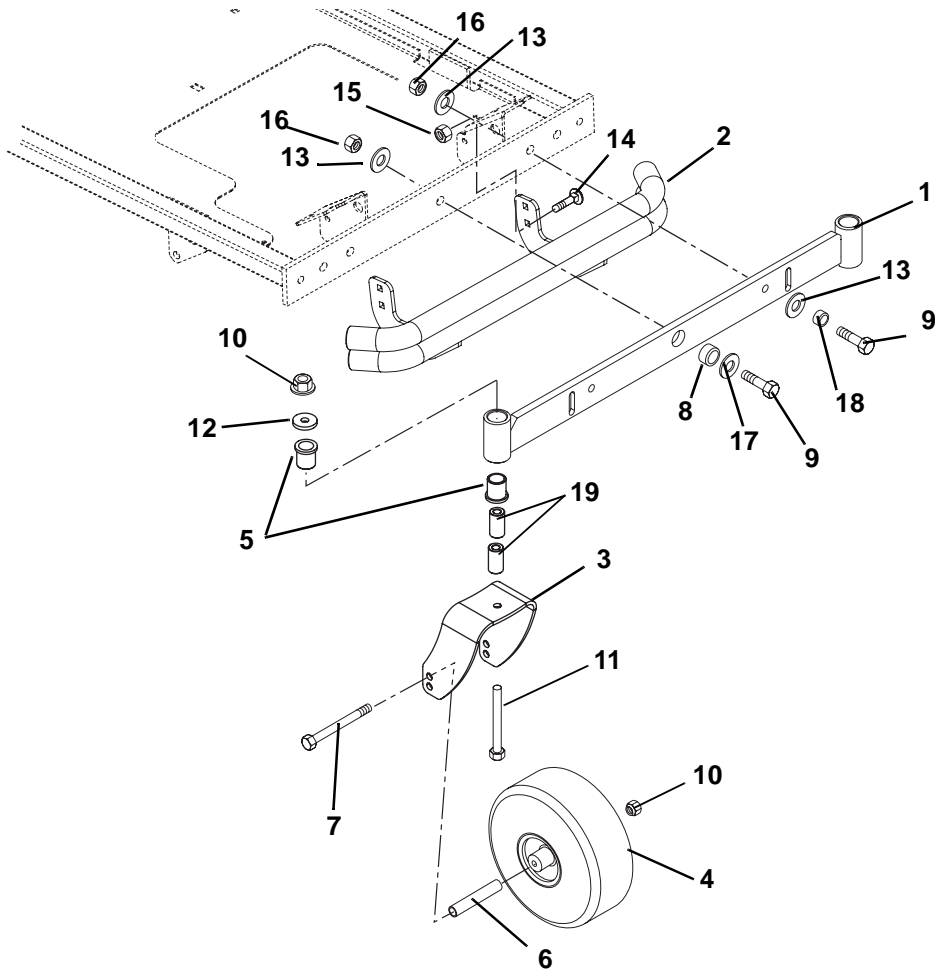
# SEAT AND SEAT SUPPORT

Model 915075, 077, 079, 081, 083, 317, 318

Item	Part No.	Qty.	Description
1	00366300	1	Seat w/Arm (075, 317)
2	00367800	1	Seat w/ Armrests (077, 079, 081, 083, 318)
	59205800	AR	Armrest Kit (Fits 00367800)
3	00440651	1	Seat Plate
4	00360151	1	Seat Support
5	00174151	1	Bracket, Seat Plate
6	07056700	2	Bolt, Shoulder .375-16 x .135
7	06545500	7	Nut .38-16 Flange Nyloc
8	06223600	7	Bolt, Round Head Square Neck .38-16 x 1.00 Grade 5
9	00456600	1	Hour Meter, LCD (077, 079, 081, 083, 317, 318)
	00539300	1	Plug, Headlight Switch (075)
10	07531700	1	Knob, Wing .312-18 (075, 077, 079, 081, 083)
11	06530200	1	Nut, Locking Nylon .312-18 (317, 318)
12	06308600	4	Washer-Locking .31 x .078 Regular
13	06446900	2	Washer-Flat-Steel .347 x 1.254 x .048
14	06542000	2	Nut-Locking-Top-Flange .38-16
15	00337700	2	Hub Cap
16	05946900	2	Bolt-Hex .31-18 x 1.00 Grade 5
17	06437500	3	Washer-Flat-Steel .328 x 1.0 x .094 (075, 077, 079, 081, 083)
	06437500	4	Washer-Flat-Steel .328 x 1.0 x .094 (317, 318)
18	08300021	2	Spring, Seat
19	06545400	9	Nut .312-18 Flange Nyloc (077, 079, 081, 083, 318)
	06545400	5	Nut .312-18 Flange Nyloc (075, 317)
20	06530400	1	Nut-Spin Lock-Flange .312-18
21	06439200	1	Washer-Flat-Steel .505 x 1.00 x .062
22	06212300	1	Bolt-Round Head Square Neck .31-18 x 2.75 Grade 5
23	00362151	1	Brake Rod Support
24	06216100	2	Bolt, Round Head Square Neck .31-18 x 1.00
25	07506500	2	Grommet
26	03679000	1	Solenoid
27	07411600	2	Screw, Tapping .250-20 x .37
28	00379700	1	Weldment, Park Brake
29	05525200	2	Bushing, Flange .762 x 1.48 x .44
30	09235400	1	Spacer .328 x .76 x 1.01
31	05957400	5	Bolt, Hex .31-18 x 1.75 Grade 5
32	00379400	1	Bracket, Brake Handle Pivot
33	06219900	2	Bolt, Round Head Square Neck .25-20 x .75 Grade 5
34	06543500	2	Nut, Locking Top Flange .25-20
35	00380800	1	Grip
36	06439100	4	Washer, Flat Steel .328 x .87 x .179 (075, 317)
37	00479051	2	Spacer, Seat (075, 317)
38	07533000	1	Bumper, Rubber (077, 079, 081, 083, 318)
39	06534600	1	Nut, Spinlock Flange Nut, .312-24 (077, 079, 081, 083, 318)
40	00166800	4	Caplug, Square 1-14-20 (075, 317)

# FRONT AXLE, TIRES AND BUMPER

Model 915079, 081, 083, 317, 318

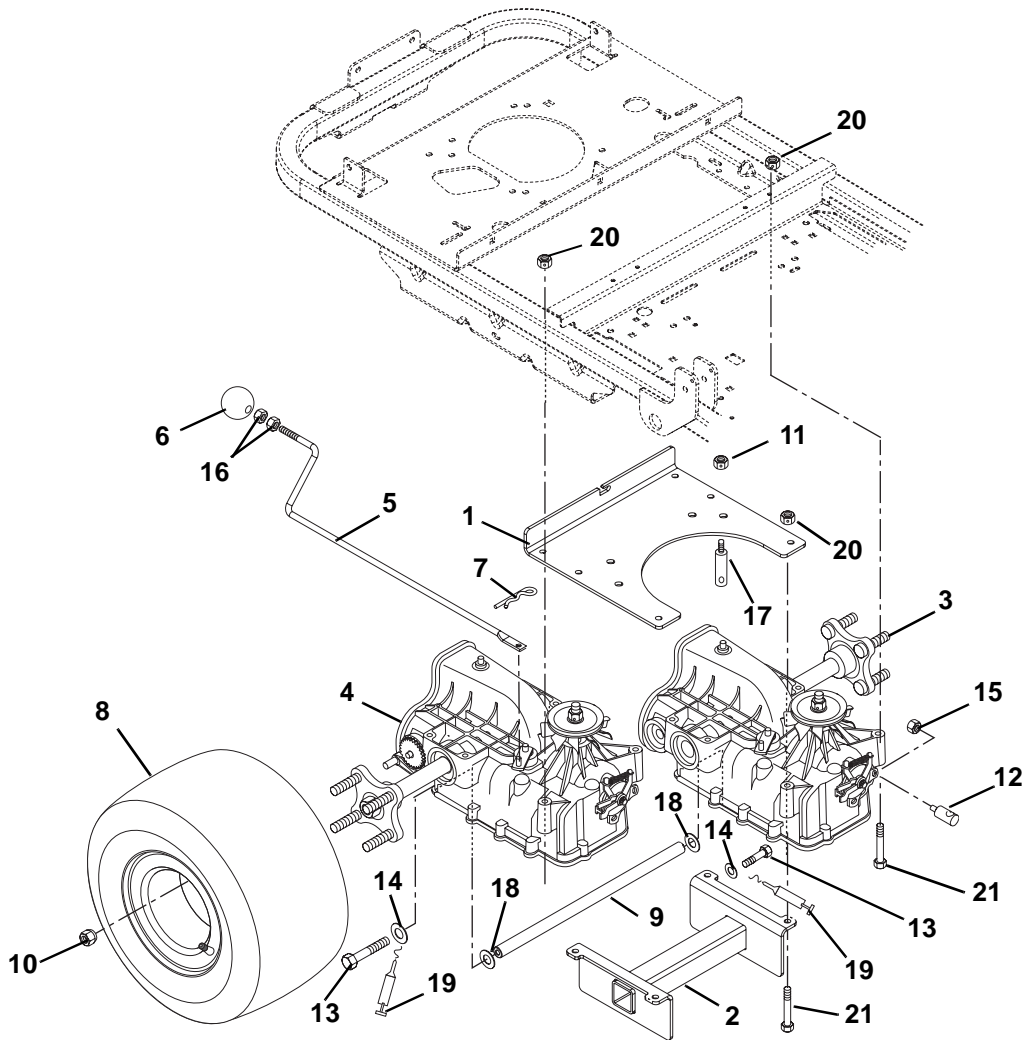


PE0741

Item	Part No.	Qty.	Description
1	01600851	1	Weldment, Front Axle
2	00482151	1	Bumper, Zoom
3	00469351	2	Fork, Caster
4	01588100	2	Assembly, Tire 4 x 11- 4 Ply
5	05533600	4	Bushing, Flange 1.00 x 1.25 x 1.50 x 1.50
6	00278500	2	Spacer, Rolled Wheel
7	05964400	2	Bolt, Hex .50-13 x 6.50 Grade 5
8	01600400	1	Bushing, Axle Pivot
9	05930700	3	Bolt-Hex .62-11X2.25 Grade 8
10	06543600	4	Nut, Locking Top Flange .50-13
11	05962200	2	Bolt, Hex .50-13 x 5.00 Grade 5
12	06436400	2	Washer, Flat Steel .511 x 1.441 x .125
13	06435200	5	Washer, Flat .64 x 1.81 x .25
14	06223600	4	Bolt, Round Head Square Neck .38-16 x 1.00 Grade 5
15	06545500	4	Nut .38-16 Flange Nyloc
16	06540700	3	Nut, Locking Nylon .625-11
17	06442900	1	Washer, Flat Steel .688 x 1.75 x .134
18	00271800	2	Spacer, .750 D x .558 Long
19	00363100	4	Spacer, Caster

# TRANSAXLE, DUMP VALVES AND REAR WHEELS

Model 915075, 077, 079, 081, 083, 317, 318

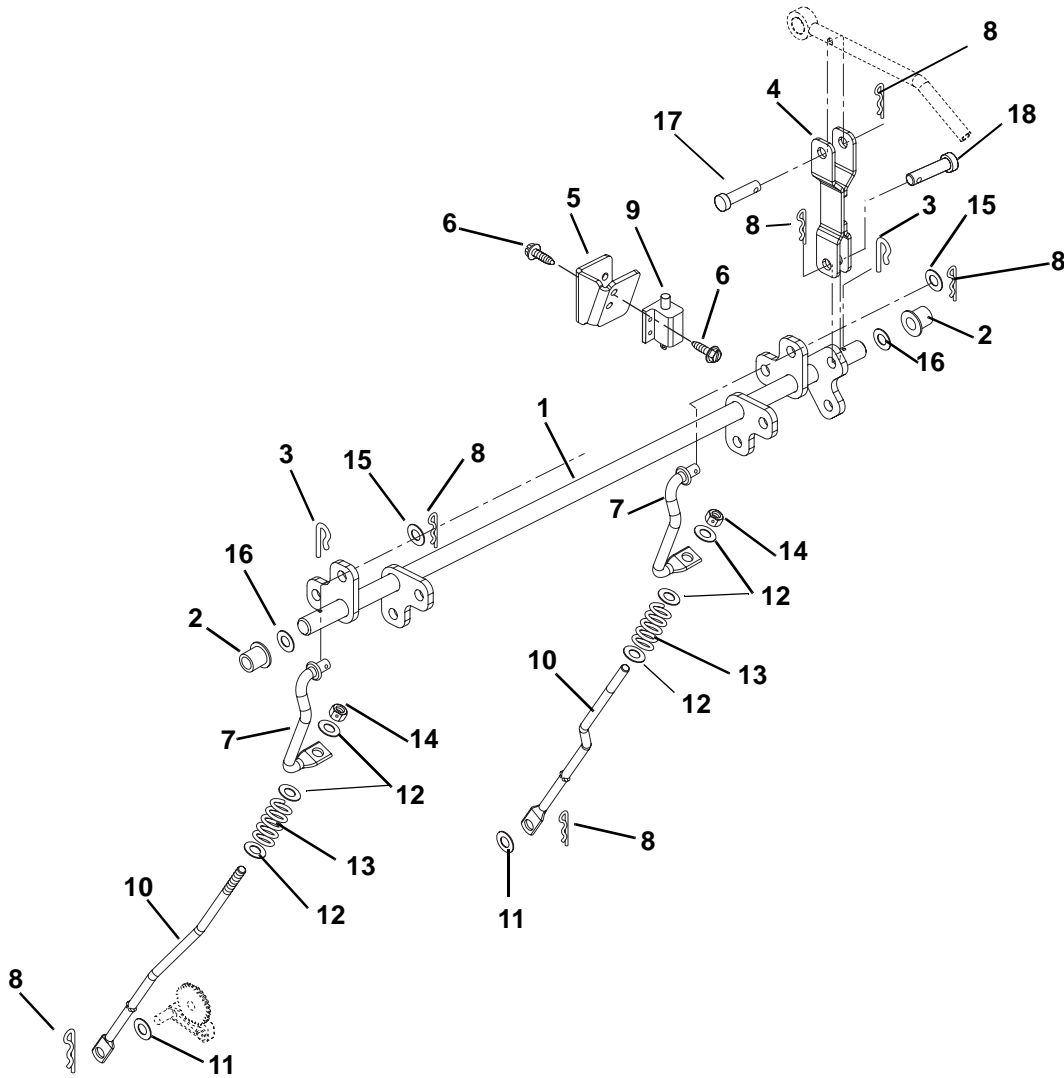


PE0751

Item	Part No.	Qty.	Description
1	01578051	1	Bracket, Transmission Axle Support
2	01578151	1	Weldment, Transmission Axle Brace
3	00386300	1	Transaxle, Left Hand
	51514300	NS	Brake Arm Kit, Left Hand Transaxle
4	00386200	1	Transaxle, Right Hand
	51514200	NS	Brake Arm Kit, Right Hand Transaxle
5	01581600	2	Rod, Dump IZT
6	07515900	2	Knob
7	06713500	2	Pin, Hair
8	01587800	2	Assembly, Tire 9.5 x 18-2 Ply (079, 081, 083, 318)
	01588700	2	Assembly, Tire 8.5 x 18-2 Ply (075, 077, 317)
9	01578200	1	Rod, Axle Brace
10	06535000	8	Nut, Lug .50-20
11	06545500	1	Nut, .38-16 Flange Nyloc
12	01568600	2	Rod Pivot
13	05952600	2	Bolt, Hex .31-18 x 2.50 Grade 5
14	06308600	2	Washer, Locking .31 x .078 Regular
15	06545400	2	Nut .312-18 Flange Nyloc
16	06536100	4	Nut, Jam .312-18
17	03622900	1	Shoulder Stud
18	06439100	2	Washer, Flat Steel .38 x .87 x .179
19	00929200	AR	Adhesive Sealant
20	06545400	12	Nut-.31-18 Flange Nyloc
21	05960600	12	Bolt-Hex .31-18 x 2.75 Grade 5

# PARKING BRAKE

Model 915075, 077, 079, 081, 083, 317, 318



# PARKING BRAKE

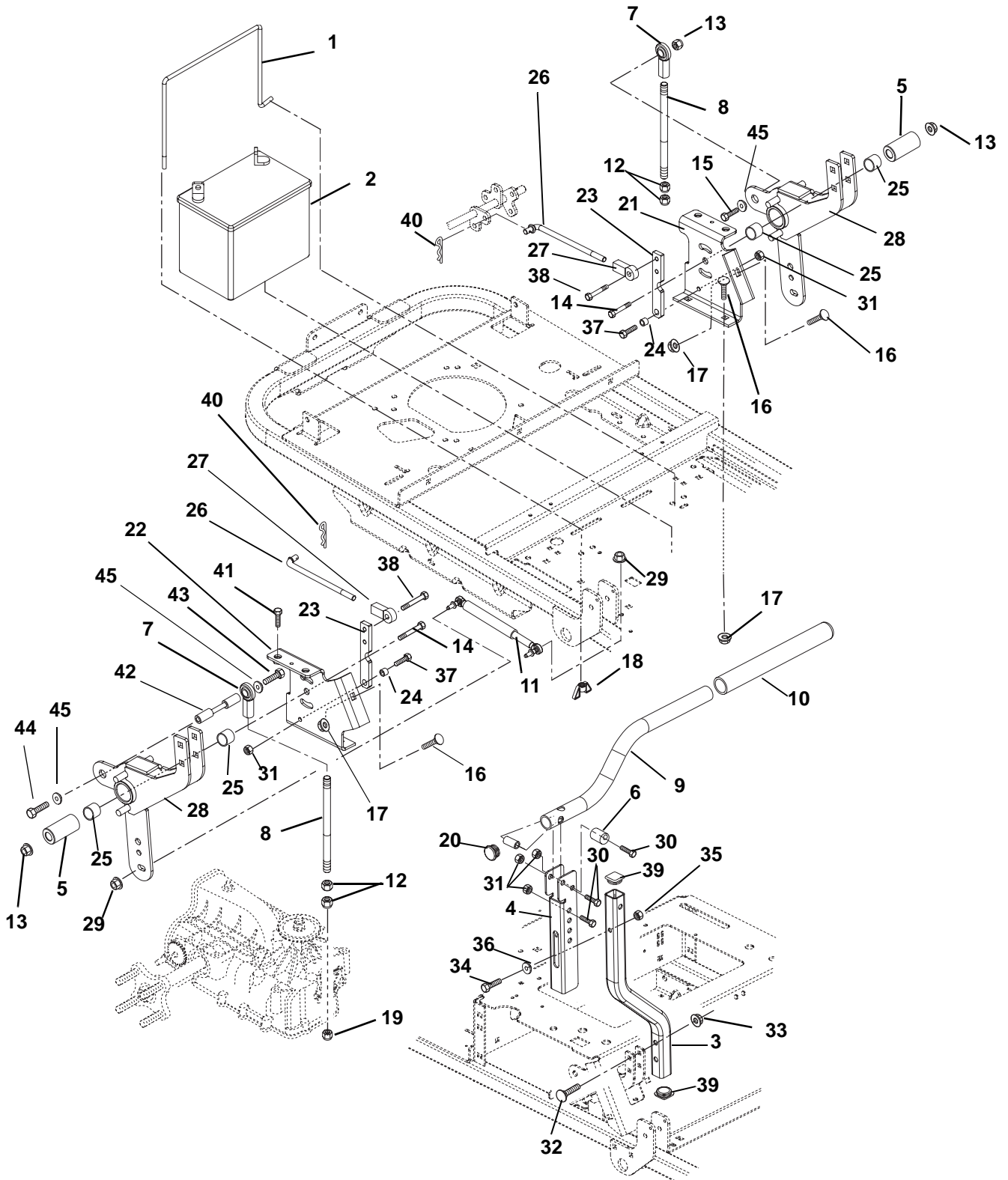
---

Model 915075, 077, 079, 081, 083, 317, 318

Item	Part No.	Qty.	Description
1	00361200	1	Weldment, Brake Rod
2	05517400	2	Bushing, Flange .63 x 1.00 x .625 Nylon
3	06714500	2	Pin, Spring Clip
4	00379800	1	Clevis Weldment
5	00183700	1	Bracket, Brake Switch
6	07415800	4	Screw, Tapping 10-24 x .50 Hex Washer Head
7	01589200	2	Rod, Over Center
8	06714800	6	Pin, Hair
9	03606600	1	Switch, Double Pole N.O./N.O.
10	00425300	2	Rod, Park Brake IZT
11	06444000	2	Washer, Flat Steel .406 x 1.00 x .188
12	06437200	6	Washer, Flat Steel .344 x .688 x .065
13	08300028	2	Spring, Compression .063 x .53 x 1.187
14	06530200	2	Nut, Locking Nylon .312-18
15	06436200	2	Washer, Flat Steel .406 x .812 x .065
16	06408900	2	Washer, Flat Steel .627 x .99 x .032
17	06810200	1	Pin, Clevis .037 x 1.50
18	06811900	1	Pin, Clevis .375 x .948

# STEERING CONTROLS

Model 915075, 077, 079, 081, 083, 317, 318



PE0840



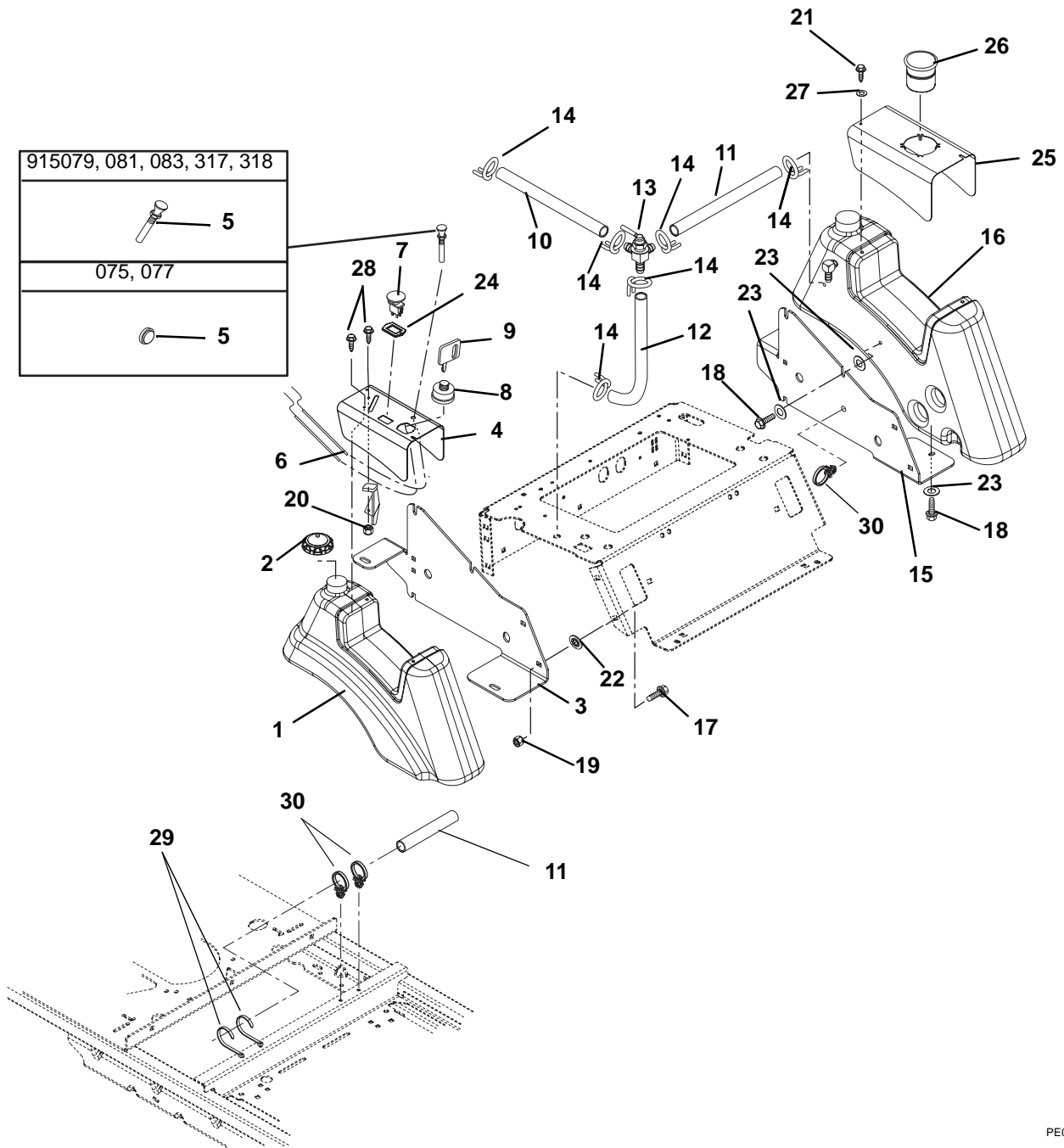
# STEERING CONTROLS

Model 915075, 077, 079, 081, 083, 317, 318

Item	Part No.	Qty.	Description
1	01533400	1	Battery Rod
2	01554800	1	Battery (12 Volt, 330 CCA, 50 Min. Reserve Cap.)
3	00361751	2	Control Arm
4	00362651	2	Channel, Handlebar Adjustment
5	01581700	2	Spacer
6	00372300	2	Eccentric
7	03461700	2	Rod End, .50 Right Hand
8	01569600	2	Rod, Transaxle Left Hand
9	00362851	2	Handlebar
10	01570000	2	Grip, Handlebar
11	00188700	2	Damper
12	06539500	4	Nut, Jam .50-20 Grade 2
13	06543600	3	Nut, Locking Top Flange .50-13
14	05959900	2	Bolt, Hex .50-13 x 3.00 Grade 5
15	05970600	1	Bolt, Hex .50-13 x 1.75 Grade 5
16	06223600	6	Bolt, Round Head Square Neck .38-16 x 1.00 Grade 5
17	06545500	6	Nut .38-16 Flange Nyloc
18	06537500	1	Nut, Locking Wing .25-20
19	06544000	2	Nut, Jam Nyloc .50-20 Grade 2
20	07533300	2	Caplug, Handlebar
21	00359700	1	Weldment, Control LH
22	00359800	1	Weldment, Control RH
23	00383200	2	Bracket, Neutral Stop
24	00359900	2	Spacer, Neutral Stop
25	05435800	4	Bearing, 1.00 x 1.12 x .75
26	00365100	2	Link, Brake Rod
27	03563100	2	Rod, End .38 RH
28	00371951	2	Weldment, Steering Control
29	06500007	4	Nut, Locking Top Flange 8 x 1.25
30	05957400	6	Bolt, Hex .31-18 x 1.75 Grade 5
31	06545400	8	Nut, .312-18 Flange Nyloc
32	06220200	4	Bolt, Round Head Square Neck .31-18 x 1.75 Grade 5
33	06543100	4	Nut, Locking Top Flange .31-18
34	05964700	2	Bolt, Hex .25-20 x 1.75 Grade 5
35	06531000	2	Nut, Locking Nylon .250-20
36	05513400	2	Bushing, Flange .265 x .437 x .250 x .750
37	05947500	2	Bolt, Hex .31-18 x 1.25 Grade 5
38	05959400	2	Bolt, Hex .38-16 x .75 Grade 5
39	00166800	4	Caplug, Square
40	06713500	2	Pin, Hair .08 x .18 x 1.18
41	05900016	4	Screw, Cap .38-16 x 2
42	00470600	1	Steering Linkage
43	05958900	1	Bolt, Hex .50-13 x 1.25 Grade 5
44	05947100	1	Bolt, Hex .50-13 x 1.00 Grade 5
45	06306600	3	Washer, Lock .50 x .151

# FUEL TANK

Model 915075, 077, 079, 081, 083, 317, 318



PE0820

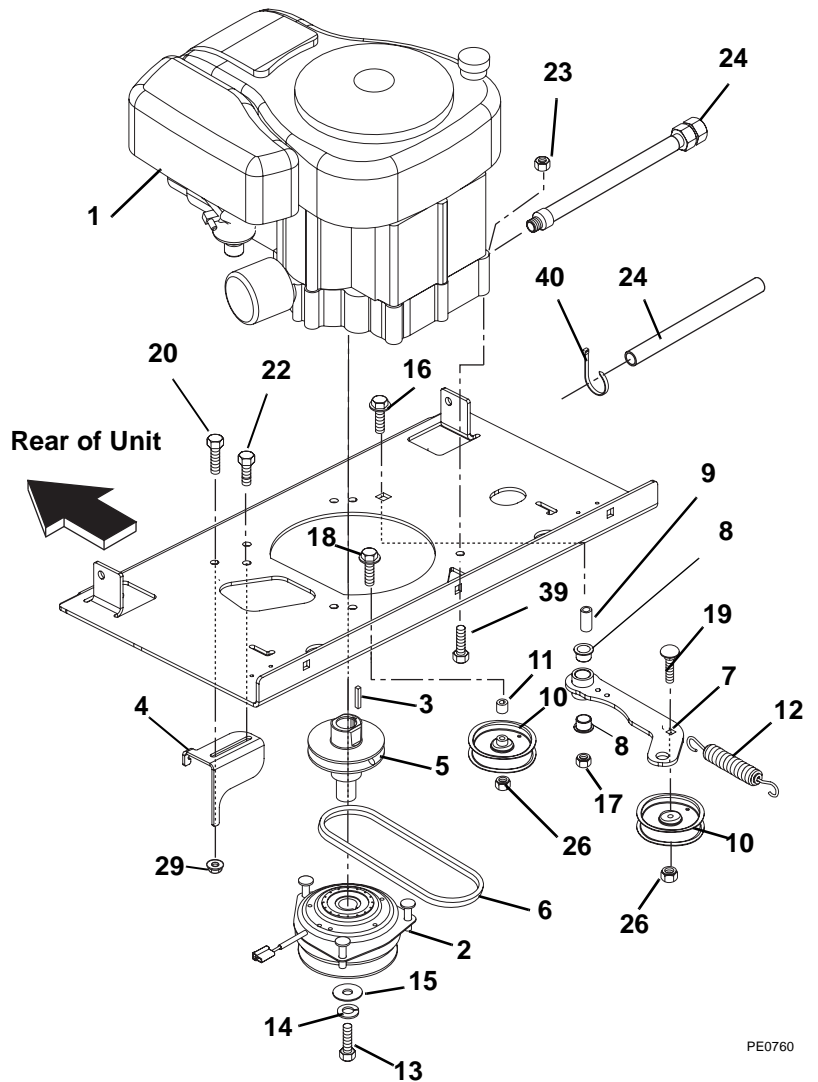
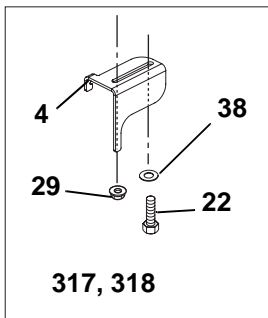
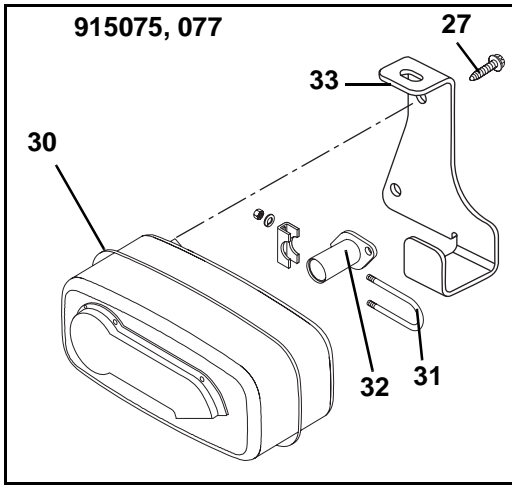
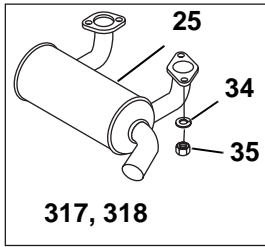
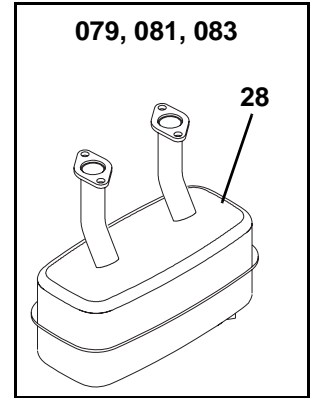
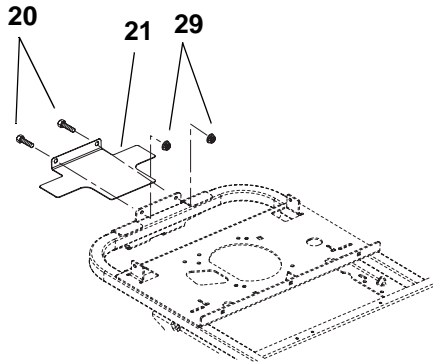
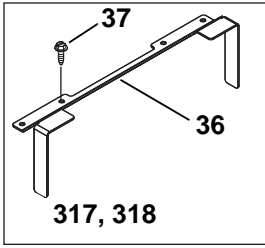
# FUEL TANK

Model 915075, 077, 079, 081, 083, 317, 318

Item	Part No.	Qty.	Description
1	01614100	1	Tank, Fuel - Right Hand
2	01538400	2	Fuel Cap
3	00296751	1	Seat Plate Right Hand
4	01614551	1	Right Hand Console
5	01588400	1	Choke Cable (079, 081, 083)
	06942300	1	Choke Cable (317, 318)
	00529900	1	Hole Plug, Plastic .44 Hole (075, 077)
6	01588500	1	Throttle Cable (317, 318)
	00369200	1	Throttle Cable (079, 081, 083)
	00355100	1	Throttle Cable (075, 077)
7	01545600	1	Switch, Clutch
8	01588300	1	Key Switch
9	02460700	1	Key with Cap
10	00924300	1	Gas Line, Bulk .25 I.D. x 34 in. Long
11	00924300	1	Gas Line, Bulk .25 I.D. x 44 in. Long
12	00924300	1	Gas Line, Bulk .25 I.D. x 23 in. Long
	00924300	1	Gas Line, Bulk .25 I.D. x 34 in. Long (317, 318)
13	09258200	1	Valve, Fuel
14	06939100	6	Clamp, Hose Wire .490/.510 x .116
15	00296851	1	Seat Plate Left Hand
16	01614000	1	Tank, Fuel - Left Hand
17	06223600	8	Bolt, Round Head Square Neck .38-16 x 1.00 Grade 5
18	07049600	8	Bolt, Serrated Hex Flange Washer Head .312-18 x .75
19	06545500	8	Nut .38-16 Flange Nyloc
20	06536000	3	Nut-Locking-Nylon 10-24 with Insert
21	06100003	4	Screw, Machine 10-24 x .38 Slotted Hex
22	00548400	8	Retainer .38 Push-On
23	06437500	12	Washer, Flat Steel .328 x 1.00 x .094
24	00289200	1	Shim, PTO Switch
25	01614451	1	Console, Left Hand
26	01528500	1	Cup Holder
27	06400004	8	Washer, Fender 3/16 x 3/4
28	06116700	3	Screw-Machine 10-24 x .50 Hex Washer Head
29	00470200	2	Cable Tie
30	00390100	3	Wire Clip

# ENGINE, EXHAUST, BELTS AND IDLERS

Model 915075, 077, 079, 081, 083, 317, 318



PE0760

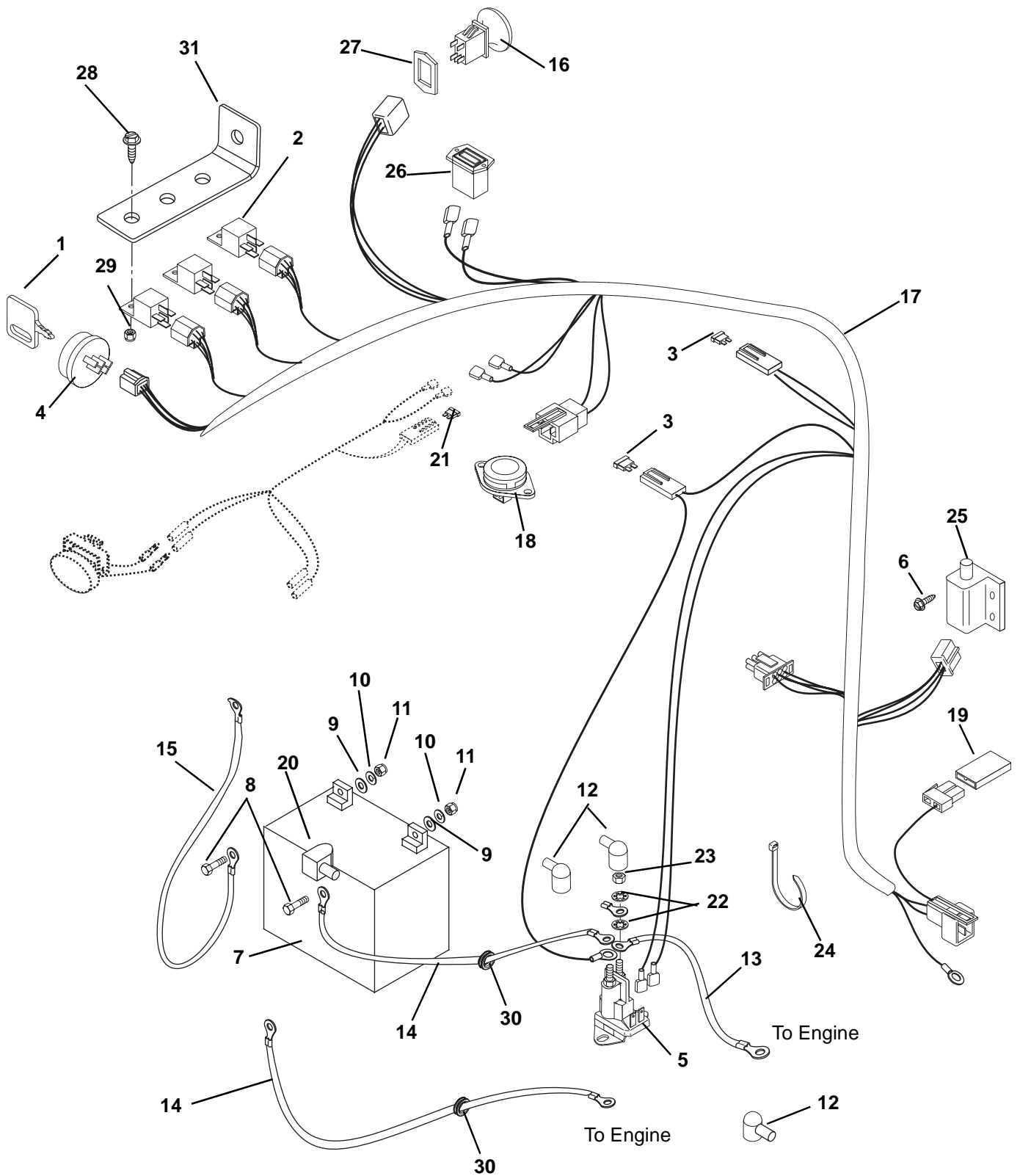
# ENGINE, EXHAUST, BELTS AND IDLERS

Model 915075, 077, 079, 081, 083, 317, 318

Item	Part No.	Qty.	Description
1	08200103	1	Engine, 16hp Kohler (075)
	08200104	1	Engine, 18hp Kohler (077)
	08200105	1	Engine, 20hp Kohler (079 s/n 025000 and up)
	08200106	1	Engine, 23hp Kohler (081 s/n 025000 and up)
	08200107	1	Engine, 25hp Kohler (083)
	08200013	1	Engine, 15hp Kawasaki (318)
	08200012	1	Engine, 17hp Kawasaki (317)
2	00191700	1	Clutch, Electric (077, 079, 081, 083, 318)
	03643100	1	Clutch, Electric (075, 317)
3	06604300	1	Key, Square .25 x 1.50 x .25 SAE 8630 OR SAE 1035
4	00363751	1	Clutch Stop
5	00363200	1	Extension Shaft
6	07241400	1	V-Belt
7	00473500	1	Weldment, Idler
8	05500039	2	Bushing, Flange .075 x .0875 x .625 x 1.125
9	05516400	1	Bushing, Sleeve .50 x .75 x 1.56
10	07312500	2	Pulley, Idler 4.00
11	00186400	1	Spacer
12	08336100	1	Spring, Extension
13	05966700	1	Bolt, Hex .44-20 x 4.50 Grade 8
14	06309300	1	Washer, Locking .44 x .109 Regular
15	06443600	1	Washer, Flat Steel .469 x 2.00 x .25
16	05966600	1	Bolt-Hex .50-13 x 2.50 Grade 5
17	06543600	1	Nut, Locking Top Flange .50-13
18	06224300	1	Bolt-Round Head Square Neck .38-16 x 2.00 Grade 5
19	06224100	1	Bolt-Round Head Square Neck .38-16 x 1.25 Grade 5
20	05948700	1	Bolt-Hex .38-16 x 1.00 Grade 5
21	00276651	1	Heat Shield (079, 081, 083)
22	07414100	1	Screw-Tapping .38-16 x 1.00 Hex Washer Head Thread Rolling YZ (075, 077)
	05957400	1	Bolt-Hex .31-18 x 1.75 Grade 5 (317, 318)
	05948700	1	Bolt-Hex .38-16 x 1.00 Grade 5 (079, 081, 083)
23	06545400	4	Nut .31-18 Flange Nyloc (317, 318)
24	00595900	1	Tube, Oil Drain
	00191400	1	Tube Oil Drain (317, 318)
25	09298000	1	Muffler, Exhaust (317, 318)
26	06537200	2	Nut, Locking, Jam, Center .375-16
27	07412000	3	Screw, Tapping .25-20 x .50 Hex Washer Head (075, 077)
28	00391700	1	Muffler (079, 081, 083)
29	06545500	4	Nut-.38-16 Flange Nyloc (079, 081, 083)
	06545500	1	Nut-.38-16 Flange Nyloc (075, 077, 317, 318)
30	00435100	1	Muffler (075, 077)
31	00255400	1	Muffler Clamp (075, 077)
32	00253900	1	Weldment, Manifold (075, 077)
33	00432000	1	Muffler Bracket (075, 077)
34	06308600	1	Washer-Locking .31 x .078 Regular (317, 318)
35	06538600	1	Nut-Hex M8-1.25 (317, 318)
36	00396251	1	Heat Shield (317, 318)
37	07411500	4	Screw, Tapping .31-18 x .50 (317, 318)
38	06437500	4	Washer, Flat Steel .328 x 1.0 x .094 (317, 318)
39	07414100	3	Screw, Tapping .38-16 x 1.00 Hex Washer Head Thread Rolling YZ (075, 077)
	07414100	4	Screw, Tapping .38-16 x 1.00 Hex Washer Head Thread Rolling YZ (079, 081, 083)
	05957400	3	Bolt-Hex .31-18 x 1.75 Grade 5 (317, 318)
40	07517300	1	Cable Tie, 5.5 Long (317, 318)

# ELECTRICAL SYSTEM

Model 915075, 077, 079, 081, 083, 317, 318



# ELECTRICAL SYSTEM

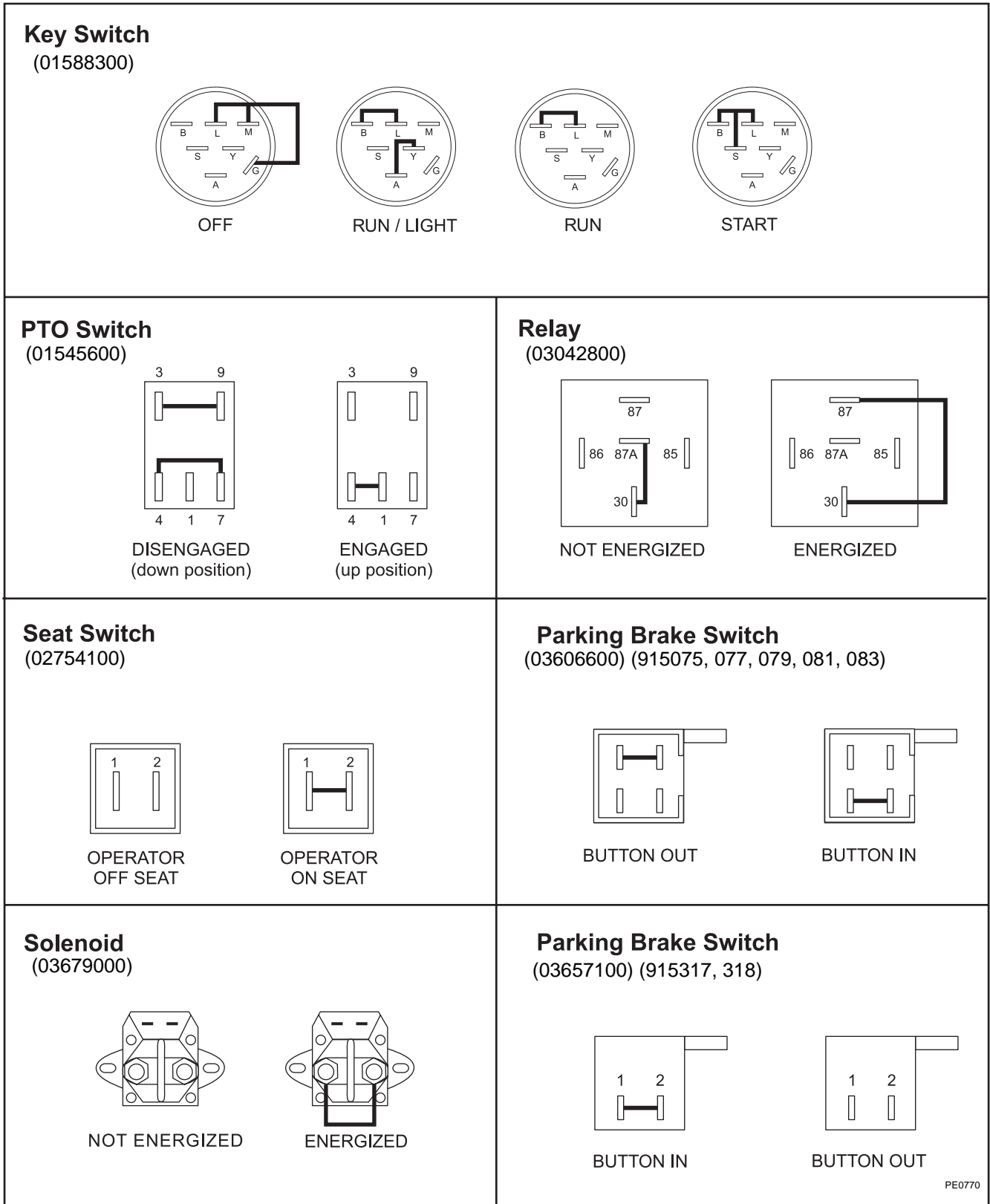
Model 915075, 077, 079, 081, 083, 317, 318

Item	Part No.	Qty.	Description
1	02460700	1	Key with Cap
2	00432100	3	Relay
3	09351100	2	Fuse, 25 AMP
4	01588300	1	Key Switch
5	03679000	1	Solenoid (075, 077, 083, 317, 318)
6	07415800	2	Screw, Tapping 10- 24 x .50 Hex Washer Head
7	01554800	1	Battery, Filled (075, 077, 079, 081, 083, 317, 318)
8	05946800	2	Bolt, Hex .25-20 x .75 Grade 5
9	06437300	2	Washer, Flat Steel .281 x .62 x .065
10	06308400	2	Washer, Locking .25 x .062 Regular
11	06533200	2	Nut, Hex .25-20
12	07533200	3	Boot, Eyelet Terminal (915075, 077, 079, 081, 083, 317, 318)
13	00145900	1	Starter Cable 6.75" (915075, 077, 079, 081, 083, 317, 318)
14	02727900	1	Starter Cable 16" (915075, 077, 079, 081, 083, 317, 318)
15	03111100	1	Ground Cable
16	01545600	1	Switch, Clutch With Retainer
17	00363400	1	Wire Harness, Zoom
	00472800	1	Wire Harness, Zoom CE (317, 318)
18	02754100	1	Switch, Snap Mounting (N.O.)
19	09293500	2	Diode, Connector Shell
20	07505700	1	Insulator
21	00580600	1	Fuse, 20 AMP
22	06310500	4	Washer, Locking .31 (915075, 077, 079, 081, 083, 317, 318)
23	06536700	2	Nut, Jam .31-24 (915075, 077, 079, 081, 083, 317, 318)
24	07517300	1	Cable Tie
25	03606600	1	Switch, Double Pole N.O./N.O. (075, 077, 079, 081, 083)
	03657100	1	Switch, Single Pole N.O. (317, 318)
26	04935700	1	Hour Meter
27	00289200	1	Shim, PTO Switch
28	06116700	3	Screw,Machine 10-24 x .50 Slotted Hex
29	06536000	3	Nut-Locking-Nylon 10-24 with Insert
30	07506500	1	Grommet .125 x 1.000 ID
31	00382600	1	Bracket, Relay

# CONTINUITY DIAGRAM

**Model 915075, 077, 079, 081, 083, 317, 318**

The diagrams below show the various states of connection for electrical components.  
The solid lines on switches show continuity.  
NOTE: All switches are viewed from the rear.

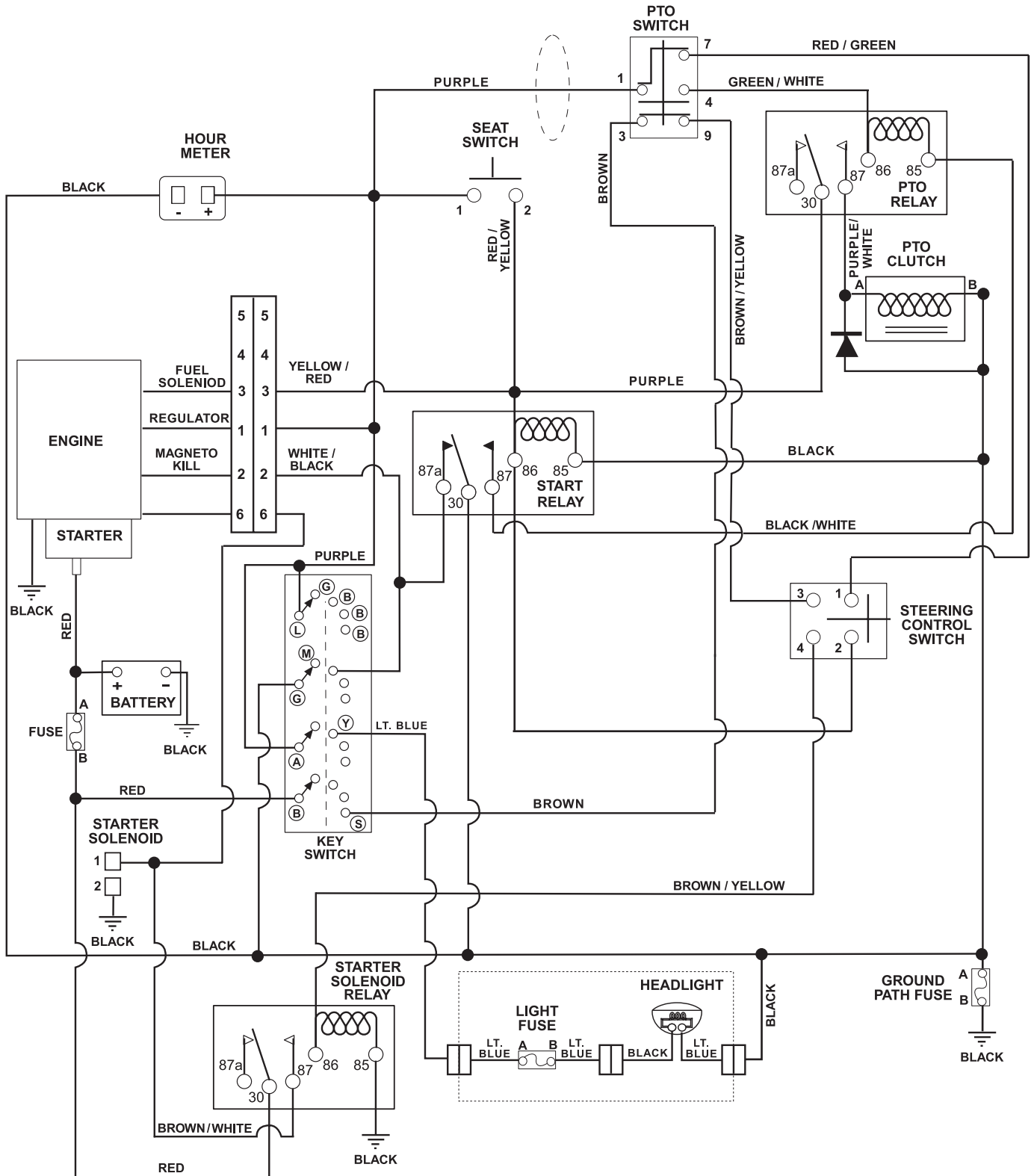


PE0770



# WIRING DIAGRAM

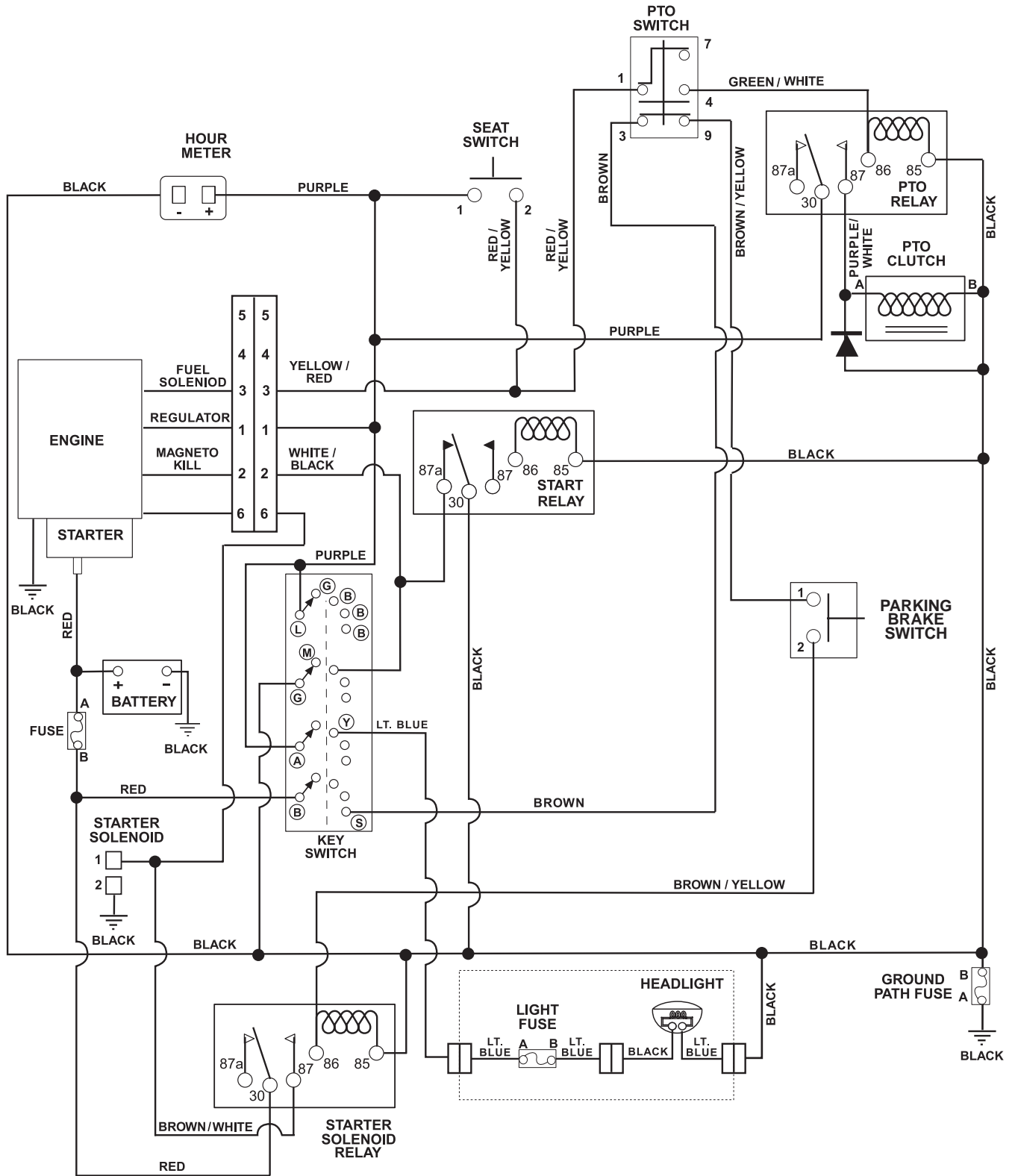
Model 915075, 077, 079, 081, 083



PE2040

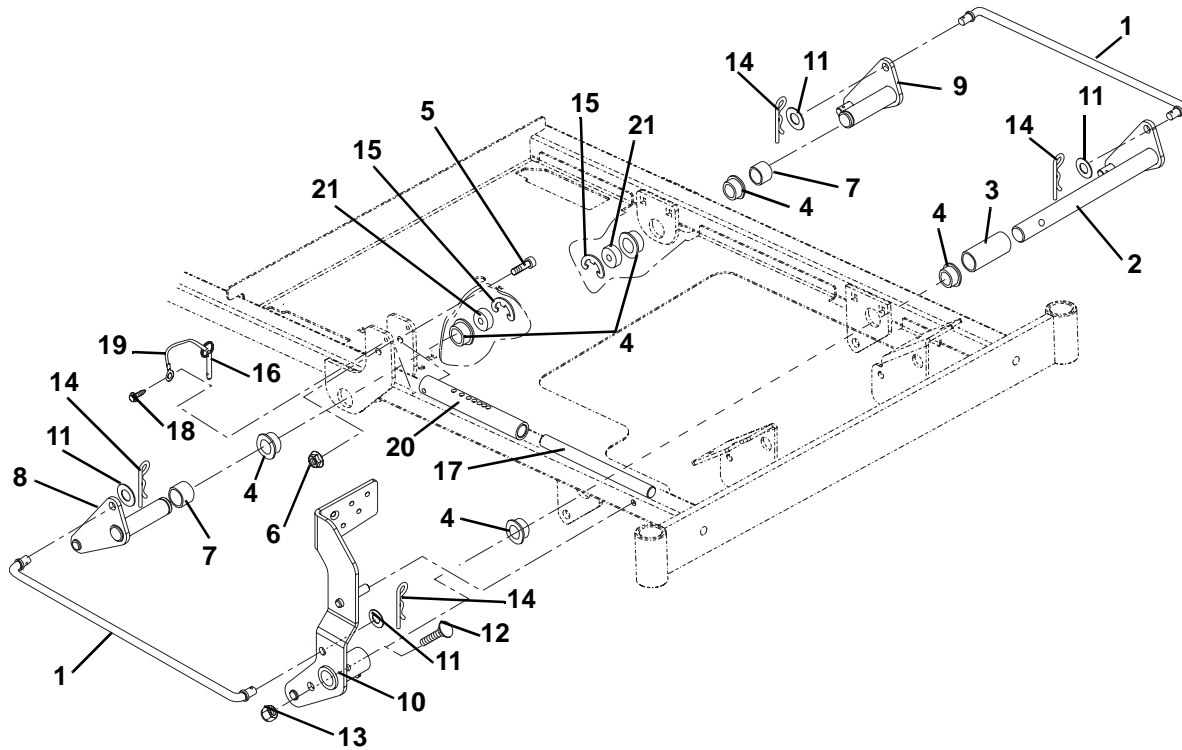
# WIRING DIAGRAM

Model 915317, 318



# DECK LIFT

Model 915075, 077, 079, 081, 083, 317, 318

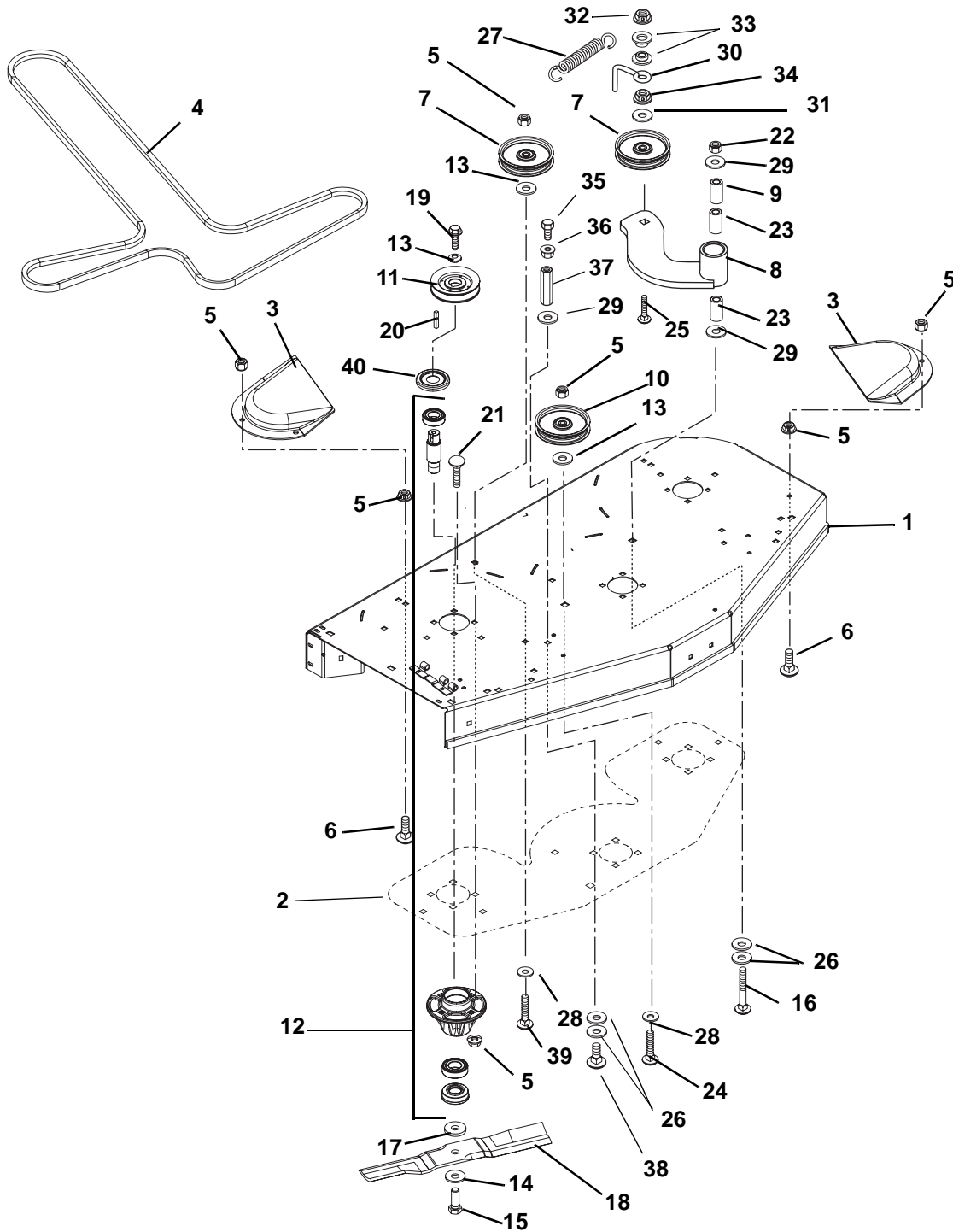


PE0223

Item	Part No.	Qty.	Description
1	00270400	2	Rod, Lift
2	00186200	1	Weldment, Front Lift
3	00178700	1	Bushing, Front
4	05503500	6	Bushing-Flange 1.00 x 1.12 x .62 x 1.50 Bronze
5	05961400	1	Bolt, Hex .38-16 x 2.75
6	06545500	1	Nut, .38-16 Flange Nyloc
7	01591800	2	Bushing, Rear
8	01591700	1	Weldment, Lift, Rear Right Hand
9	01591600	1	Weldment, Lift, Rear Left Hand
10	00161600	1	Weldment, Foot Pedal
11	06441900	4	Washer-Flat-Steel .531 x 1.06 x .095
12	05963300	1	Bolt, Hex .38-16 x 2.00 Grade 5
13	06545500	1	Nut .38-16 Flange Nyloc
14	06714900	4	Pin, Hair External
15	05716800	2	Ring, Retaining .82 x 1.50 x .05
16	01593500	1	Pin, Spring Ball .375 O.D. x 1.50
17	00165100	1	Rod, Lift
18	07411600	1	Screw-Tapping .250-20 x .37 Hex Washer Head
19	06927100	1	Hood Cable
20	00165000	1	Tube, Lift Stop
21	00182500	2	Spacer, Rear Lift

# MOWER DECK, BELT, IDLERS AND BLADES

Model 915075, 077, 079, 081, 083, 317, 318 Serial Number 025000 & up



PE0872

Item	Part No.	Qty.	Description
1	00428951	1	40" Mower Deck (915075, 077, 317)
	00440351	1	44" Mower Deck (079, 318)
	00440451	1	48" Mower Deck (081)
	00440551	1	52" Mower Deck (083)
2	00429551	1	Plate, 40" Doubler (915075, 077, 317)
3	01520100	2	Cover

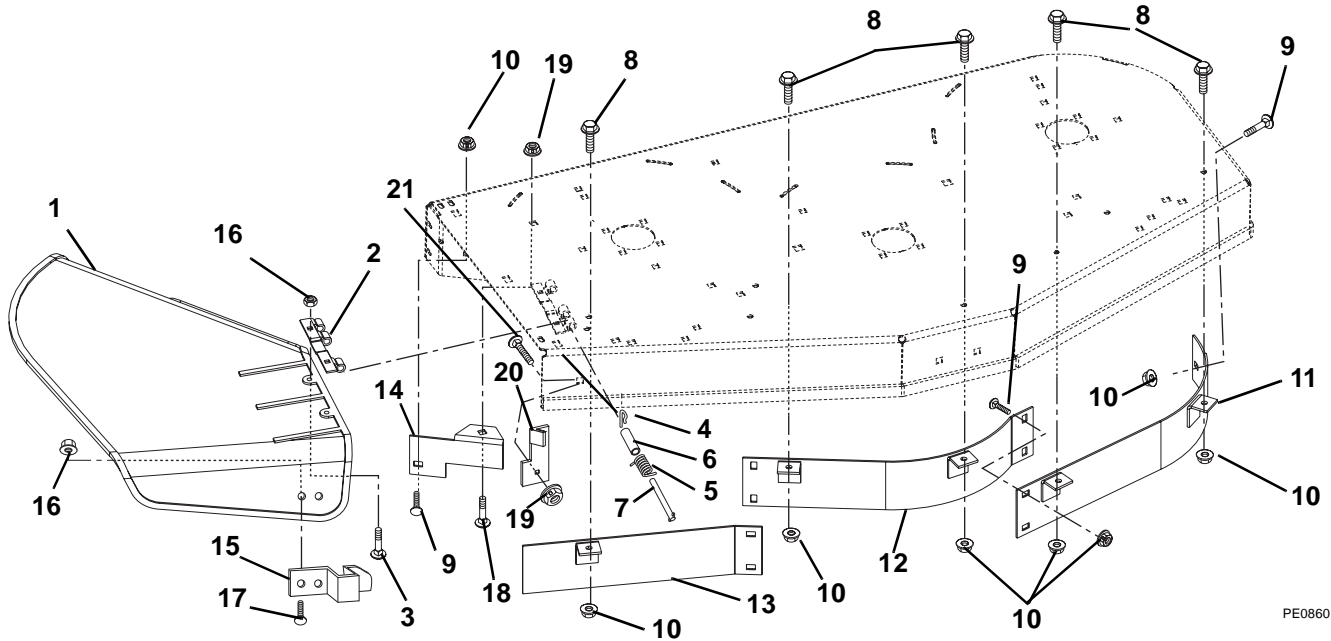
# MOWER DECK, BELT, IDLERS AND BLADES

Model 915075, 077, 079, 081, 083, 317, 318 Serial Number 025000 & up

Item	Part No.	Qty.	Description
4	07200037	1	V-Belt (075, 317)
	07219600	1	V-Belt (077)
	07242900	1	V-Belt (079, 318)
	07200022	1	V-Belt (081)
	07200023	1	V-Belt (083)
5	06545500	22	Nut .38-16 Flange Nyloc
6	06224100	4	Bolt, Round Head Square Neck .38-16 x 1.25 Grade 5
7	07300006	2	Idler, Flat .38 x 4.00 x 1.06
8	00429900	1	Weldment, Idler Arm
9	01581700	1	Spacer, Powdered Metal
10	07327100	1	Pulley, Idler 4.00
11	01593800	3	Sheave, Spindle 4.00 Dia. (075, 317)
	01599400	3	Sheave, Spindle 4.25 Dia. (077)
	01599500	3	Sheave, Spindle 4.50 Diameter (079, 318)
	01610400	3	Sheave, Spindle 4.25 Diameter (081)
	01610300	3	Sheave, Spindle 4.75 Diameter (083)
12	51510000	3	Assembly, Spindle
13	06400006	3	Washer, Flat Steel .406 x 1.50 x .245
14	06445700	3	Washer, Bellville .63 x 1.625 x .140
15	05978900	3	Bolt, Hex .62-18 x 1.75 Grade 8
16	06225000	1	Bolt, Round Head Square Neck .50-13 x 3.50 Grade 5
17	06435200	3	Washer, Flat .64 x 1.81 x .25
18	03498400	3	Blade, Mower (13.88) (075, 077)
	01593900	3	Blade, Mower (15.50) (079)
	04919100	3	Blade, Mower (16.25) (081)
	04916400	3	Blade, Mower (18.00) (083)
	00272900	3	Blade, Mulch 15.50" (318)
	00272800	3	Blade, Mulch 13.88" (317)
19	05974500	3	Bolt, Hex .38-16 x 1.00 Grade 8 with Epoxy Patch
20	06611100	3	Key, Square .25 x .38 x .25
21	06224200	12	Bolt, Round Head Square Neck .38-16 x 1.50
22	06543600	1	Nut, Locking Top Flange .50-13
23	05435800	2	Bearing, 1.00 x 1.12 x .75
24	06220500	2	Bolt, Round Head Square Neck .38-16 x 2.00 Grade 5
25	06228100	1	Bolt, Round Head Square Neck .38-16 x 3.00 Grade 5
26	06441500	4	Washer, Flat Steel .755 x 1.375 x .062
27	08300020	1	Spring, Extension
28	06442000	2	Washer, Flat Steel .563 x 1.38 x .109
29	06445000	3	Washer, Flat Steel .515 x 1.625 x .25
30	00391900	1	Finger, Belt
31	06444000	1	Washer, Flat Steel .406 x 1.00 x .188
32	06542000	1	Nut, Locking Top Flange .38-16
33	05515800	2	Bushing, Sleeve .752 x .877 x .75 Bronze
34	06543900	1	Nut, Spiral Lock Flange .50-13
35	05959700	1	Bolt, Hex .50-13 x 2.00 Grade 5
36	06537300	1	Nut, Hex .50-13
37	06500013	1	Coupling .50-13 x 1.75
38	06224700	1	Bolt, Round Head Square Neck .50-13 x 1.25 Grade 5
39	06225400	2	Bolt, Round Head Square Neck .38-16 x 2.75 Grade 5
40	00587400	3	Cap, Dust

# BAFFLES AND CHUTE

Model 915075, 077, 079, 081, 083

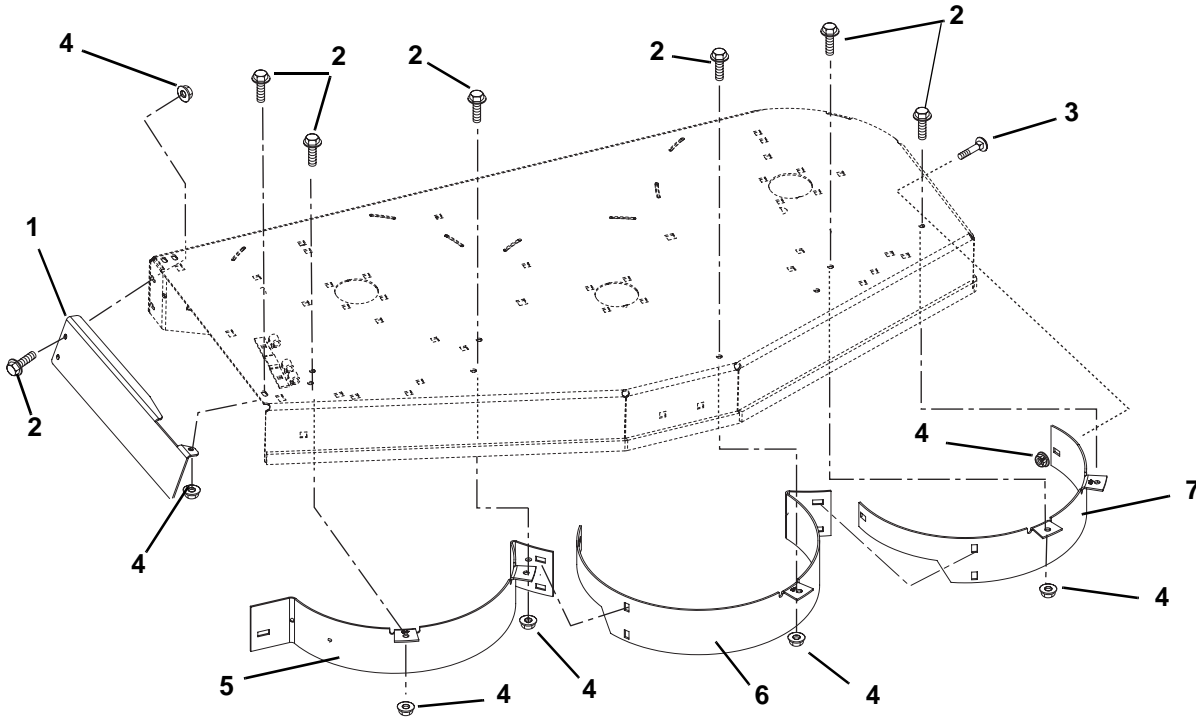


PE0860

Item	Part No.	Qty.	Description
1	01585500	1	Deflector, Chute
2	02709551	1	Hinge, Plate
3	06219900	2	Bolt, Round Head Square Neck .25-20 x .75 Grade 5
4	06713500	1	Pin, Internal .08 x .18 x 1.18
5	08307200	1	Spring, Torsion .095 x .50 x 1.00
6	02202900	1	Bushing, Sleeve
7	00475800	1	Pin, Clevis
8	07049600	6	Bolt, Serrated Hex Flange Washer Head .31-18 x .75
9	06220800	5	Bolt, Round Head Square Neck .31-18 x .75
10	06545400	11	Nut-.312-18 Flange Nyloc
11	01576151	1	Weldment, Upper Left Baffle-40" (075, 077)
	01572451	1	Weldment, Upper Left Baffle-44" (079)
	01574051	1	Weldment, Upper Left Baffle-48" (081)
	01575051	1	Weldment, Upper Left Baffle-52" (083)
12	01576251	1	Weldment, Upper Center Baffle-40" (075, 077)
	01572551	1	Weldment, Upper Center Baffle-44" (079)
	01574151	1	Weldment, Upper Center Baffle-48" (081)
	01575151	1	Weldment, Upper Center Baffle-52" (083)
13	01576351	1	Weldment, Upper Right Baffle-40" (075, 077)
	01572651	1	Weldment, Upper Right Baffle-44" (079)
	01574251	1	Weldment, Upper Right Baffle-48" (081)
	01575251	1	Weldment, Upper Right Baffle-52" (083)
14	01576751	1	Deflector, 40" (075, 077)
	01574651	1	Deflector, 44"/48" (079, 081)
	01575951	1	Deflector, 52" (083)
15	01597751	1	Flat Spring
16	06543500	4	Nut, Locking Top Flange .25-20
17	06220600	2	Bolt, Round Head Square Neck .25-20 x .50 Grade 5
18	06223600	1	Bolt, Round Head Square Neck .38-16 x 1.00 Grade 5
19	06545500	2	Nut, Flange Nyloc .375-18
20	01599151	1	Bracket, Chute Lock
21	06224200	1	Bolt, Round Head Square Neck .38-16 x 1.50

# BAFFLES AND CHUTE

Model 915317, 318

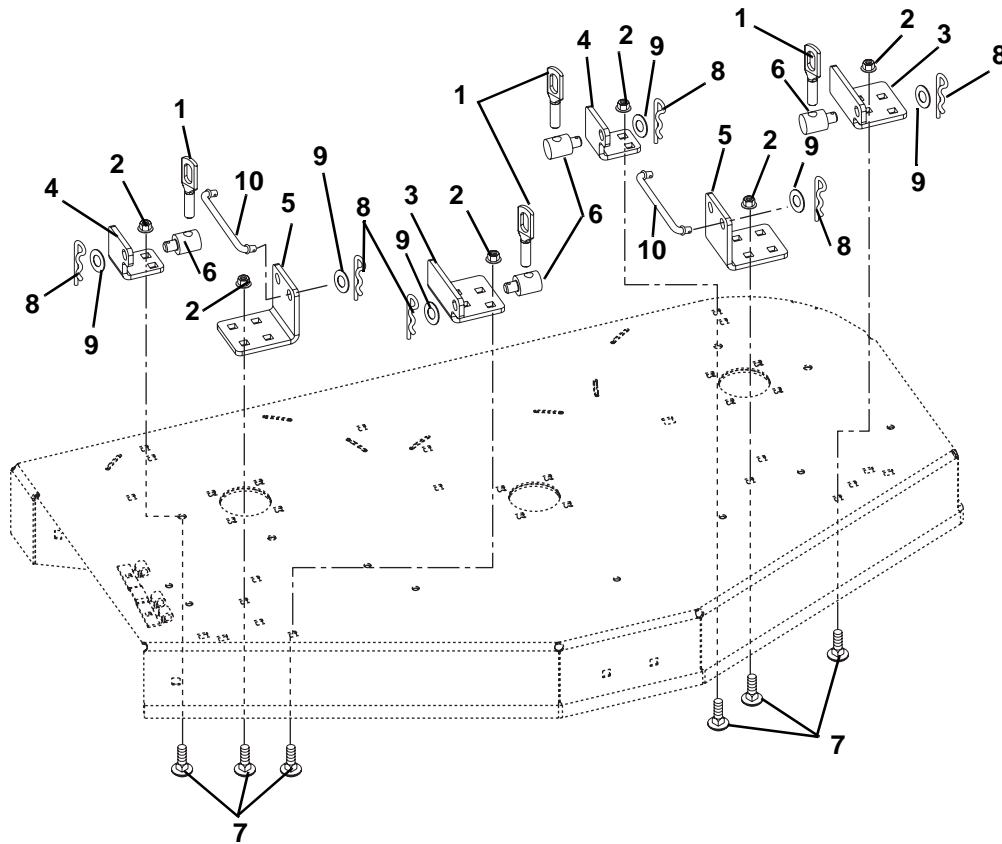


PE0860

Item	Part No.	Qty.	Description
1	00424951	1	Block-Off Plate
2	07049600	6	Bolt, Serrated Hex Flange Washer Head .31-18 x .75
3	06220800	5	Bolt, Round Head Square Neck .31-18 x .75
4	06545400	13	Nut-.312-18 Flange Nyloc
5	01576651	1	Baffle, Mulch, Right Front-40" (317)
	01573251	1	Baffle, Mulch, Right Front-44" (318)
6	01576551	1	Baffle, Mulch, Center Front-40" (317)
	01573151	1	Baffle, Mulch, Center Front-44" (318)
7	01576451	1	Baffle, Mulch, Left Front-40" (317)
	01573051	1	Baffle, Mulch, Left Front-44" (318)

# HANDLE AND STABILIZER BRACKETS

Model 915075, 077, 079, 081, 083, 317, 318



PE0880

Item	Part No.	Qty.	Description
1	00160000	4	Deck Link
2	06545500	12	Nut .38-16 Flange Nyloc
3	01590251	2	Bracket, Mount, Front
4	01604551	2	Bracket, Rear Mount
5	00451151	2	Bracket, Stabilizer (915075, 077, 079, 081, 083, 317, 318)
6	01590400	4	Trunnion
7	06223600	12	Bolt, Round Head Square Neck .38-16 x 1.00 Grade 5
8	06714900	6	Pin, Hair, External
9	06436400	6	Washer-Flat Steel .511 x 1.441 x .125
10	00270200	2	Rod, Drag Link

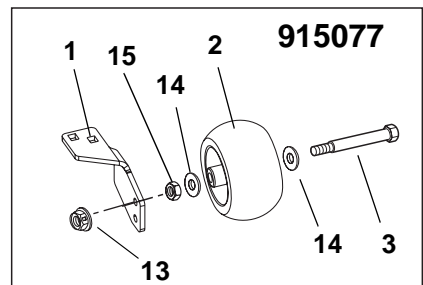
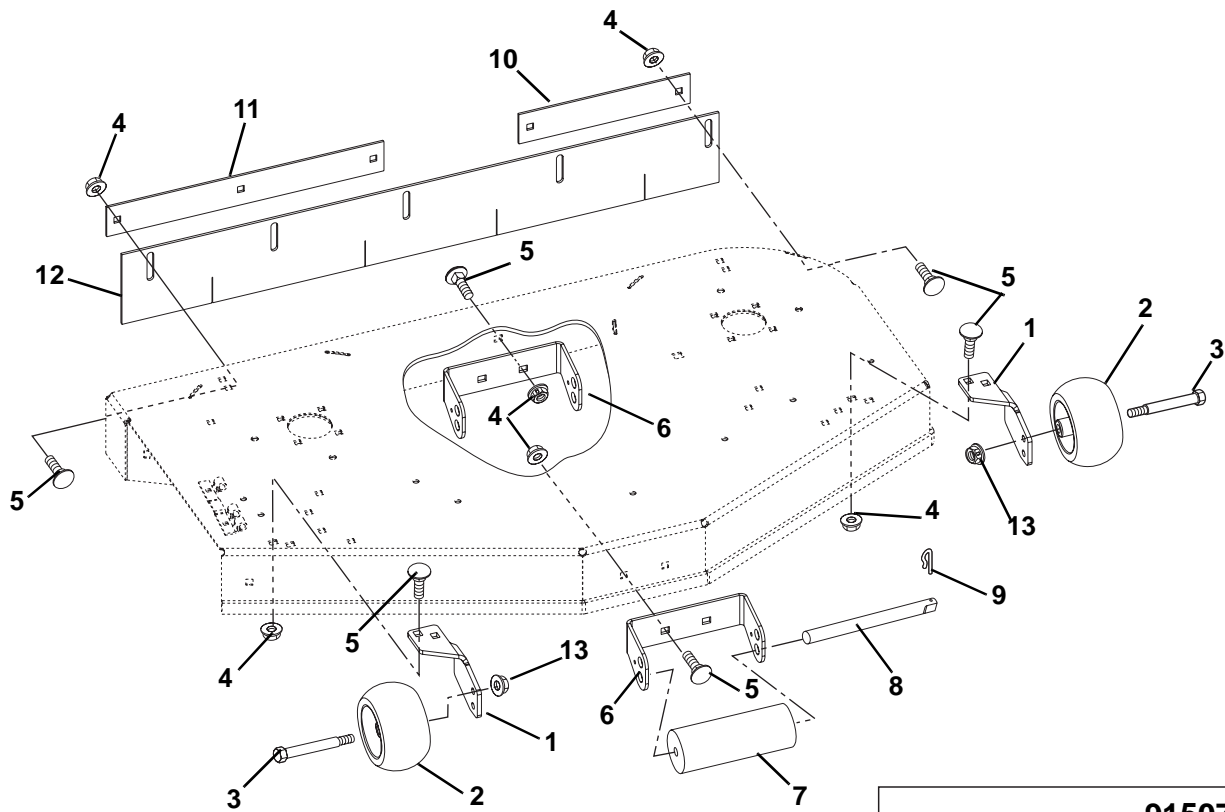


# NOTES

---

# MOWER BRACKETS AND ROLLERS

Model 915075, 077, 079, 081, 083, 317, 318



PE0890

# MOWER BRACKETS AND ROLLERS

Model 915075, 077, 079, 081, 083, 317, 318

Item	Part No.	Qty.	Description
1	01574851	2	Bracket, Anti-Scalp ( 079, 081, 083, 318)
	00344151	2	Bracket, Anti-Scalp (077)
2	03471700	2	Wheel 5 x 3 ( 079, 081, 083, 318)
	02745400	2	Roller (077)
3	07056800	2	Bolt, Shoulder .38-16 x 2.50 Hex Washer Head Grade 5 (079, 081, 083, 318)
	05960900	2	Bolt, Shoulder .38-16 x 3.50 Hex Washer Head Grade 5 (077)
4	06545500	13	Nut .38-16 Flange Nyloc (077, 079, 081, 083, 318)
	06545500	2	Nut .38-16 Flange Nyloc (075, 317)
5	06223600	13	Bolt-Round Head Square Neck .38-16 x 1.00 Grade 5 (077, 079, 081, 083, 318)
	06223600	2	Bolt- Round Head Square Neck .38-16 x 1.00 Grade 5 (075, 317)
6	00355651	2	Bracket, Roller Mount (077, 079, 081, 083, 318)
	00355651	1	Bracket, Roller Mount (075, 317)
7	03114100	2	Roller (077, 079, 081, 083, 318)
	03114100	1	Roller (075, 317)
8	00356500	2	Pin, Roller (077, 079, 081, 083, 318)
	00356500	1	Pin, Roller (075, 317)
9	06714500	2	Pin, Spring Clip (077, 079, 081, 083, 318)
	06714500	1	Pin, Spring Clip (075, 317)
10	01577451	1	Bar, Left Hand Retainer Striper (077, 079, 081, 083, 318)
11	01577651	1	Bar, Retaining Striper (079, 318)
	01577351	1	Bar, Retaining Striper (081, 083)
	01576951	1	Bar, Retaining Striper (077)
12	01577500	1	Striper, Rubber-44" (079, 318)
	01577000	1	Striper, Rubber-48" (081)
	01577200	1	Striper, Rubber-52" (083)
	01576800	1	Striper, Rubber-40" (077)
13	06542000	2	Nut-Locking-Top-Flange .38-16 (077, 079, 081, 083, 318)
14	06436200	4	Washer, Flat Steel .406 x .812 x .065 (077)
15	06537200	2	Nut, Center Lock Jam .375-16 (077)



Ariens Company  
655 West Ryan Street  
P.O. Box 157  
Brillion, WI 54110-0157  
920-756-2141  
Fax 920-756-2407  
[www.ariens.com](http://www.ariens.com)