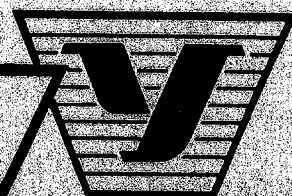
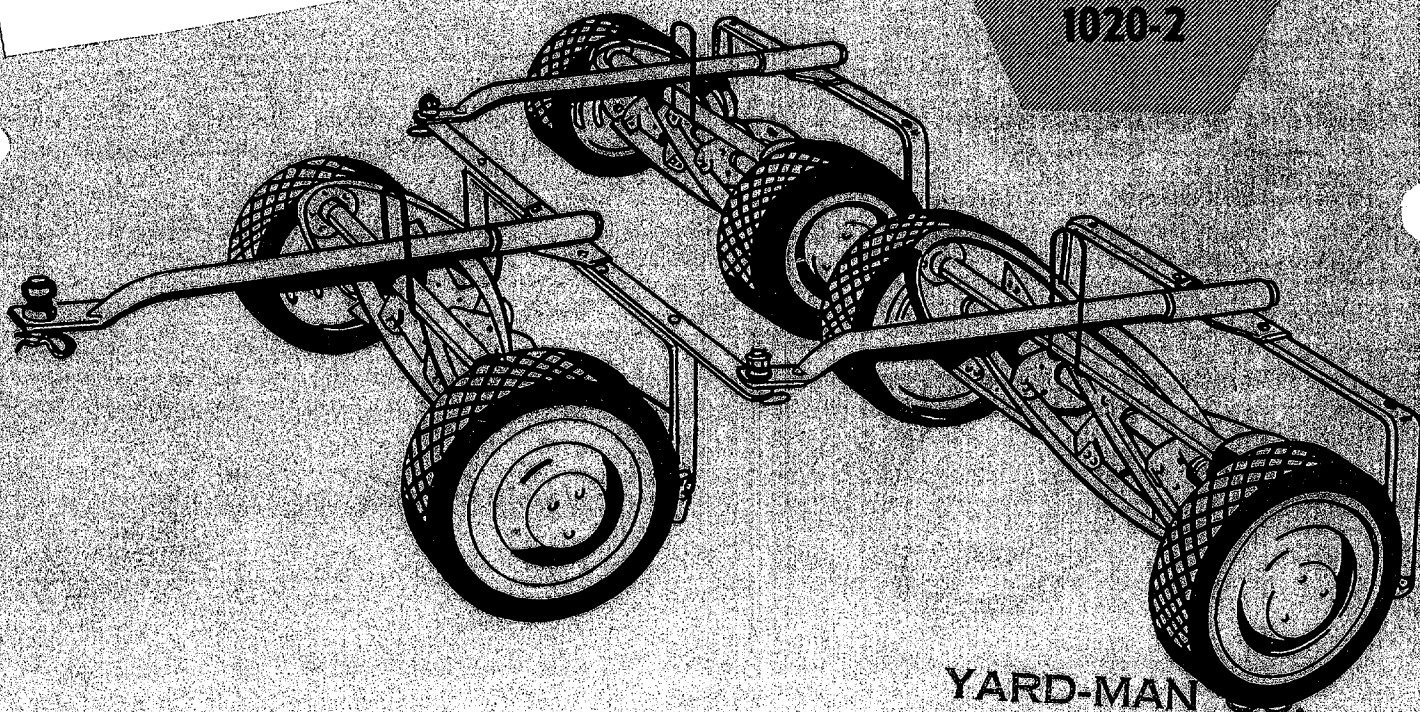


# OPERATING INSTRUCTIONS AND PARTS LIST

21 INCH  
TRAILER  
MOWER



MODEL NUMBER  
1020-2



YARD-MAN  
P. O. BOX 360940  
CLEVELAND, OHIO 44136

0611-305

PRINTED IN U.S.A.

**YARD-MAN**

Incorporated

1410 W. Ganson St., Jackson, Michigan

BUILDERS OF THE ORIGINAL SILENT YARD-MAN LAWN MOWER

# ADJUSTMENTS

## TO TIGHTEN CUTTER BAR ADJUSTMENT

1. Loosen top nut (5) one quarter turn
2. Tighten lower nut (6)
3. Bolts (7 & 8) must be tight after adjustment

## TO LOOSEN CUTTER BAR ADJUSTMENT

1. Loosen lower nut (6) one quarter turn
2. Tighten top nut (5)
3. Bolts (7 & 8) must be tight after adjustment

### NOTE:

When cutter bar is removed for sharpening, left hand pivot bolt (Item 7), must be turned counter clockwise to be removed. Right hand pivot bolt must be turned clockwise.

## SILENT YARDMAN PAPER TEST

1. Insert strip of newspaper
2. Turn reel slowly
3. Adjust cutter bar so that reel blades pinch paper without cutting it

## TO CHANGE LAWN MOWER FROM HIGH TO LOW CUT

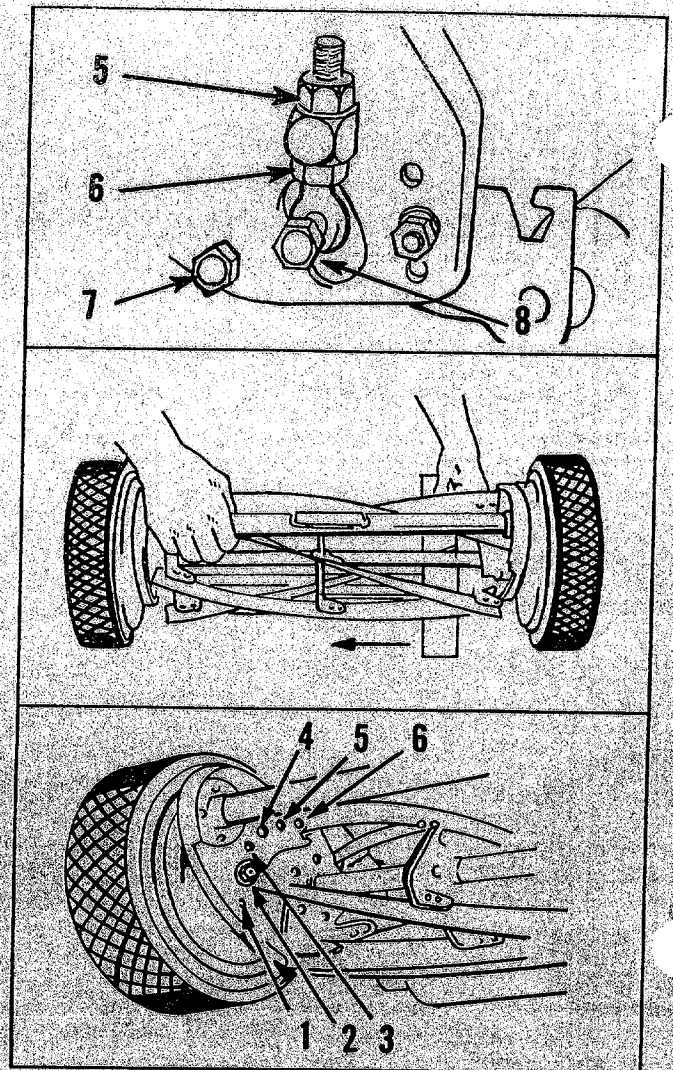
1. Remove wheel axle nut. Remove wheel and axle from side plate.
2. Locate wheel and axle in cutting height required according to following instructions.
3. HIGH CUT— $1\frac{3}{8}$  to  $2\frac{1}{4}$  in.  
Axle located in hole 1 and dowel pin in hole 4.
4. MEDIUM CUT— $\frac{3}{4}$  to  $1\frac{1}{8}$  in.  
Axle located in hole 2 and dowel pin in hole 5.
5. LOW CUT— $\frac{1}{2}$  to 1 in.  
Axle located in hole 3 and dowel pin in hole 6.
4. Be sure dowel pin in gear housing seats in side plate hole.
5. Replace washers and retaining nut. Tighten securely.

## TO ADJUST HEIGHT OF CUT

1. Remove both roller hanger bolts.
2. Raise or lower roller to desired cut.
3. Set both sides of roller at same height, replace bolts and tighten.

# SERVICE

1. Sharpening is required when the mower will not cut satisfactorily without the reel blades wiping on the cutter bar.



# LUBRICATION

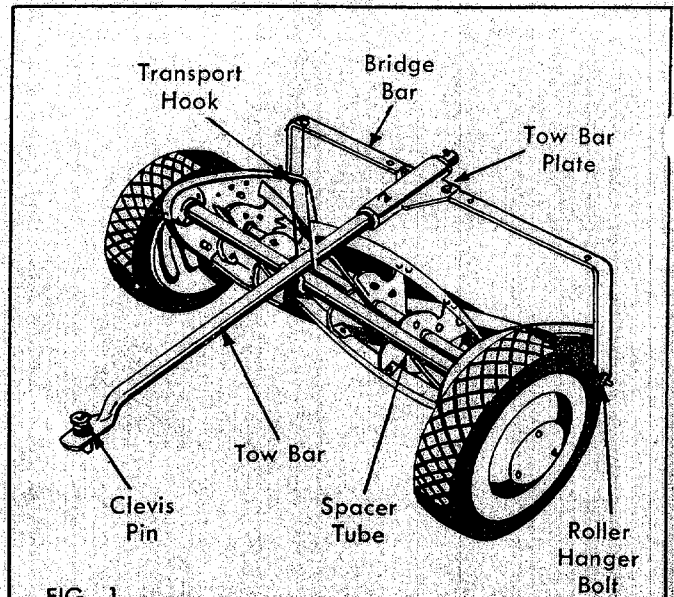
1. Seals on all bearings, hold dirt out and grease in. No further lubrication is required until mower is sharpened.
2. Oil Roller Bearing once or twice a year.

2. Most lawn mower service shops are equipped with Yard-Man factory-built service equipment to give your YARD-MAN the same precision it had when it came from the Yard-Man factory.



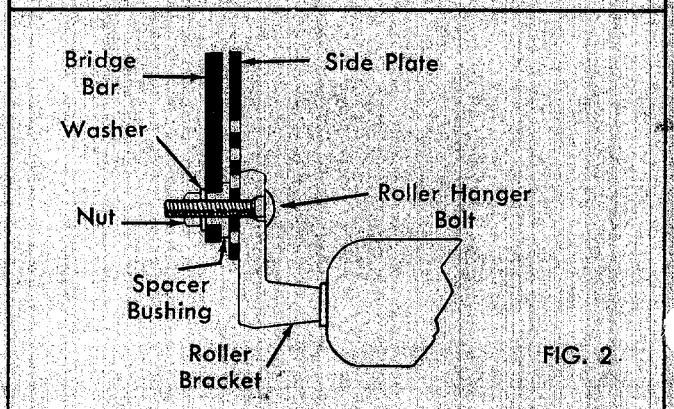
# HITCH ASSEMBLY

1. Remove Trailer Mowers and Hitch Brackets from cartons. Carefully examine the illustrations of the assembled mowers. Correct assembly of the hitch is important in operating performance of the Trailer Mowers.
2. Insert Tow Bar through Tow Bar Plate. Secure with washer, clevis pin, and cotter. (Fig. 1)
3. Assemble Transport Hook around Spacer Tube (Flat side to rear of mower). Transport Hook must straddle Tow Bar. (Fig. 1 & Fig. 3)



# ADJUSTMENTS

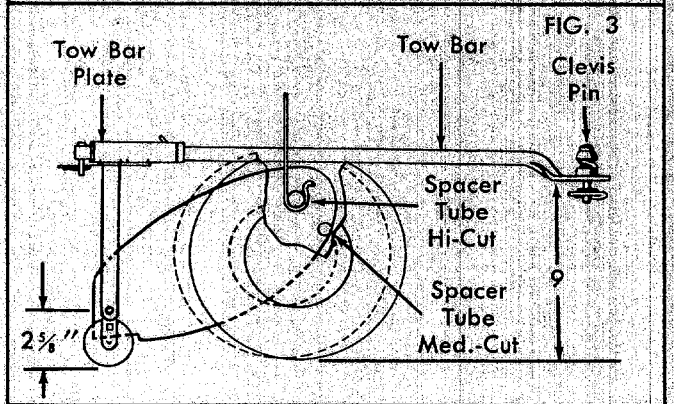
1. Cutting height of the Trailer Mower is adjustable from  $\frac{1}{2}$  to  $2\frac{1}{4}$  inches. See instructions for changing adjustment from High to Low Cut.
2. The Draw Bar should be in a parallel position for operation. The Tow Bar in this position is approximately 9 inches above the ground level. When the Tow Bar is in inverted position it is then approximately 11 inches above the ground level.
3. Whatever position the cutting height of mower is set Tow Bar should be located in parallel position.



# OPERATION

The Hitch for this Trailer Mower has been designed to give dependable operating performance and flexibility under many lawn mowing conditions.

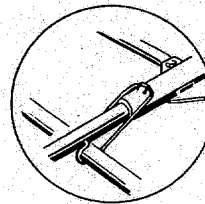
It is easily and quickly attached to your power unit. The Clevis Pin and Spring assembly provided with each Hitch permits independent floating action so that the mower will follow the contour of the lawn.



The Lock Spring prevents the mower from overturning if twigs, wire or other objects become lodged in the reel. The Spring also provides a latch for holding the Mowers in transport position during transport from storage to the mowing location. Like all precision built machines, proper use and reasonable care are required to assure continuously satisfactory operation and fine cutting performance.

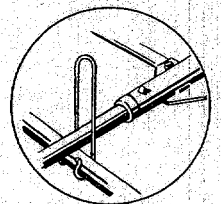
## ANTI-FLIP SPRING TRANSPORT POSITION

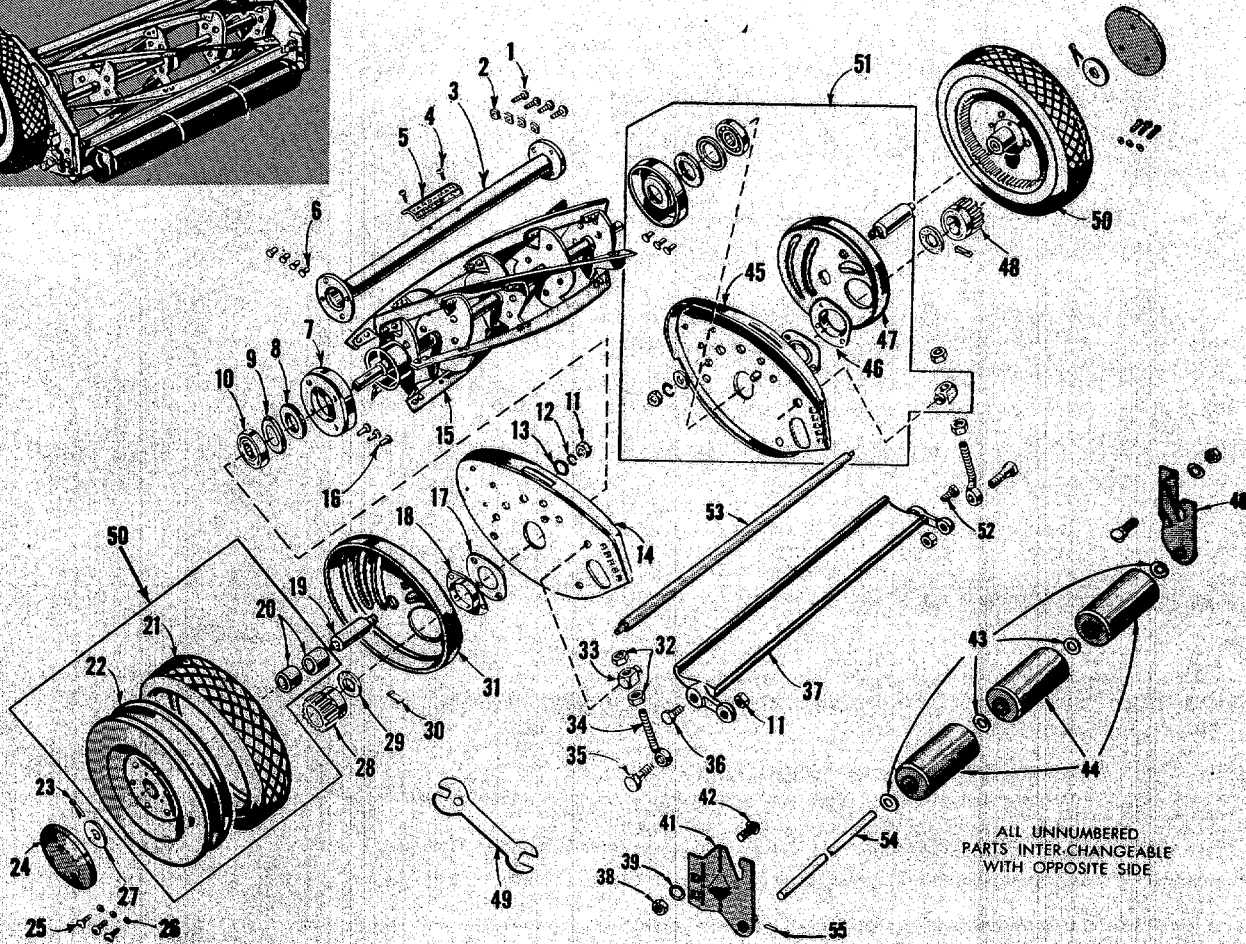
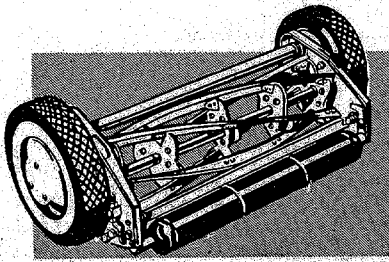
Raise Mower Spacer Tube up and position Anti-Flip Spring over lip on Tow Bar Plate.



## ANTI-FLIP SPRING MOWING POSITION

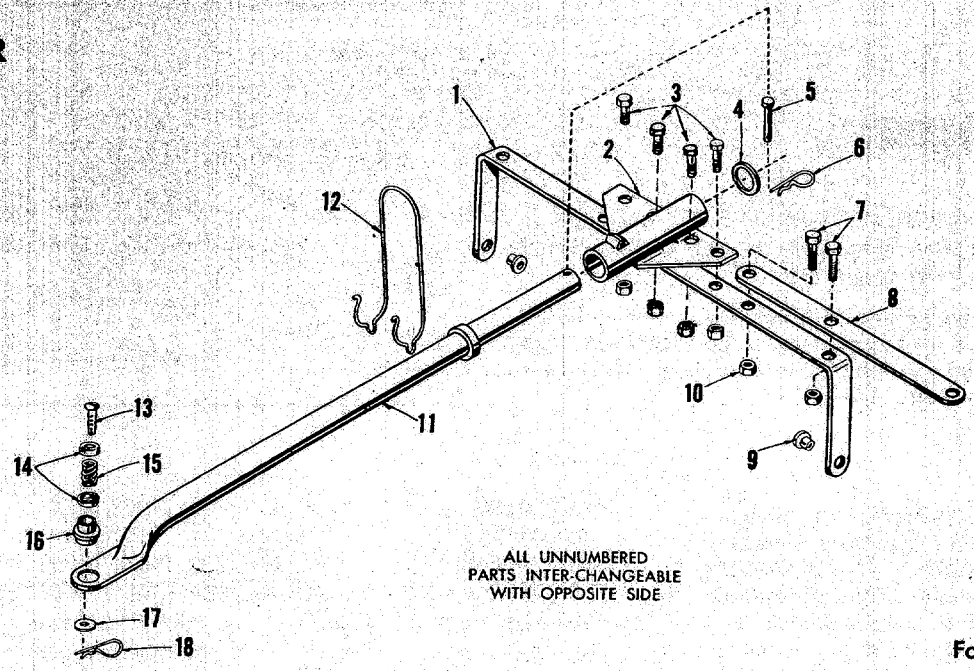
Locate the Anti-Flip Spring in upright position. Mower floats freely in this position.





ALL UNNUMBERED PARTS INTER-CHANGEABLE WITH OPPOSITE SIDE

### TRAILER HITCH



ALL UNNUMBERED PARTS INTER-CHANGEABLE WITH OPPOSITE SIDE

For Parts List—See Page 5

# HOW TO ORDER REPAIR PARTS FOR YOUR



## MODEL 1020-2 TRAILER MOWER

WHEN ORDERING REPAIR PARTS, ALWAYS GIVE THE FOLLOWING INFORMATION AS SHOWN IN THIS LIST:

1. The PART NUMBER.
2. The PART NAME.
3. The MODEL NUMBER.
4. The NAME of item.

Your mower is right hand (R.H.) or left hand (L.H.) as you are seated on mower.

### PARTS LIST

Drawing Ref. No.	Part No.	Description	Drawing Ref. No.	Part No.	Description
1	117	*Screw (10-32 x 7/16 Rd Hd Sems.)	34	451	Bolt —Cutter Bar Adjusting
2	116	*Nut (#10-32)	35	453	Screw (Rear)
3	1112-15-17	Spacer Tube Assembly—21"	36	455	Screw (Front) R.H. Thd.
4	88	*Screw (#6 x 1/4 Self Tap)	37	2134-13-17	Cutter Bar Assembly
5	1605-215	Name Plate	38	70	Nut (5/16-18)
6	17	*Rivet (3/16 x 3/8 Rd Hd)	39	159	*Washer (5/16 x 3/8)
7	1629-28	Retainer	40	2132-11-17	Roller Bracket R.H.
8	104	Felt Washer	41	2132-12-17	Roller Bracket L.H.
9	106	Felt Retainer	42	2003	*Bolt (5/16-18 x 1 Carriage )
10	3	Bearing	43	1540-59	*Washer ( 1/2 x 1 1/8 )
11	149	*Nut (3/8-24 Jam)	44	1658-12	Roller-3 required
12	1076	*Lockwasher (3/8)	45	1129-128R-17	End Plate with Trunnions—R.H.
13	154	*Washer (3/8 x 3/8)	46	1601-19R	Pinion Housing—R.H.
14	1129-127-17	End Plate with Trunnions—L.H.	47	3601-70R-17	Gear Housing—R.H.
15	3135-11-17	Reel Assembly—21"	48	1692-3	Pinion Gear—R.H.
16	9	*Rivet (3/16 x 13/32 Rd Hd)	49	72	Wrench
17	1629-9	Retainer	50	1108-78	Drive Wheel Assembly with Tire
18	1601-19L	Pinion Housing L.H.	51	1129-130R-17	End Plate Assembly—R.H.
19	340	Axle		1129-129L-17	End Plate Assembly—L.H.
20	137	Bearing	52	1509-86	Screw (Front) L.H. Thd.
21	2619-27	Tire	53	2624-110	Spacer End Plate
22	2110-11-14	Drive Wheel Less Tire	54	1632-84	Roller Shaft
23	142	*Cotter Pin (1/8 x 3/8)	55	1548-7	Rollpin
24	2718-1-18	Wheel Weight			
25	1509-48	*Screw (#10-32 x 1 1/4)			
26	1540-44	*Washer (13/64 x 3/8)			
27	141	*Washer (3/8 x 1 1/4)			
28	1692-4	Pinion Gear—L.H.			
29	109	Felt Washer			
30	323	Pawl			
31	3601-70L-17	Gear Housing—L.H.			
32	52	*Nut (3/8-24 semi fin Hex)			
33	11	Trunnion			

#### Assemblies Not Illustrated

3111-31R-17	End Plate Assembly—R.H.
	Less Gear Housing and Axle
3111-30L-17	End Plate Assembly—L.H.
	Less Gear Housing and Axle

### HITCH PARTS LIST

Drawing Ref. No.	Part No.	Description	Drawing Ref. No.	Part No.	Description
1	3698-3-17	Bridge	10	1538-6	*Nut (5/16-18)
2	3111-24-17	Tow Bar Plate Assembly	11	3125-6-17	Tow Bar Assembly
3	3-79	*Bolt (5/16 x 3/4)	12	2642-35	Transport Hook
4	1540-58	Washer	13	1545-8	Clevis Pin
5	41-042	Clevis Pin	14	41-035	Spring Cup
6	1547-12	Cotter Pin	15	41-036	Spring
7	1509-16	Bolt (5/16-18 x 3/8 Hex)	16	1657-16	Bushing
8	1697-4-17	Outrigger Bar	17	1540-56	*Washer (11/32 x 3/8)
9	1657-5	Spacer Bushing	18	1547-5	Cotter Pin

\* Standard Hardware Item—May be Purchased Locally

**YARD-MAN** Incorporated 1410 W. Ganson St., Jackson, Michigan

BUILDERS OF THE ORIGINAL SILENT YARD-MAN LAWN MOWER