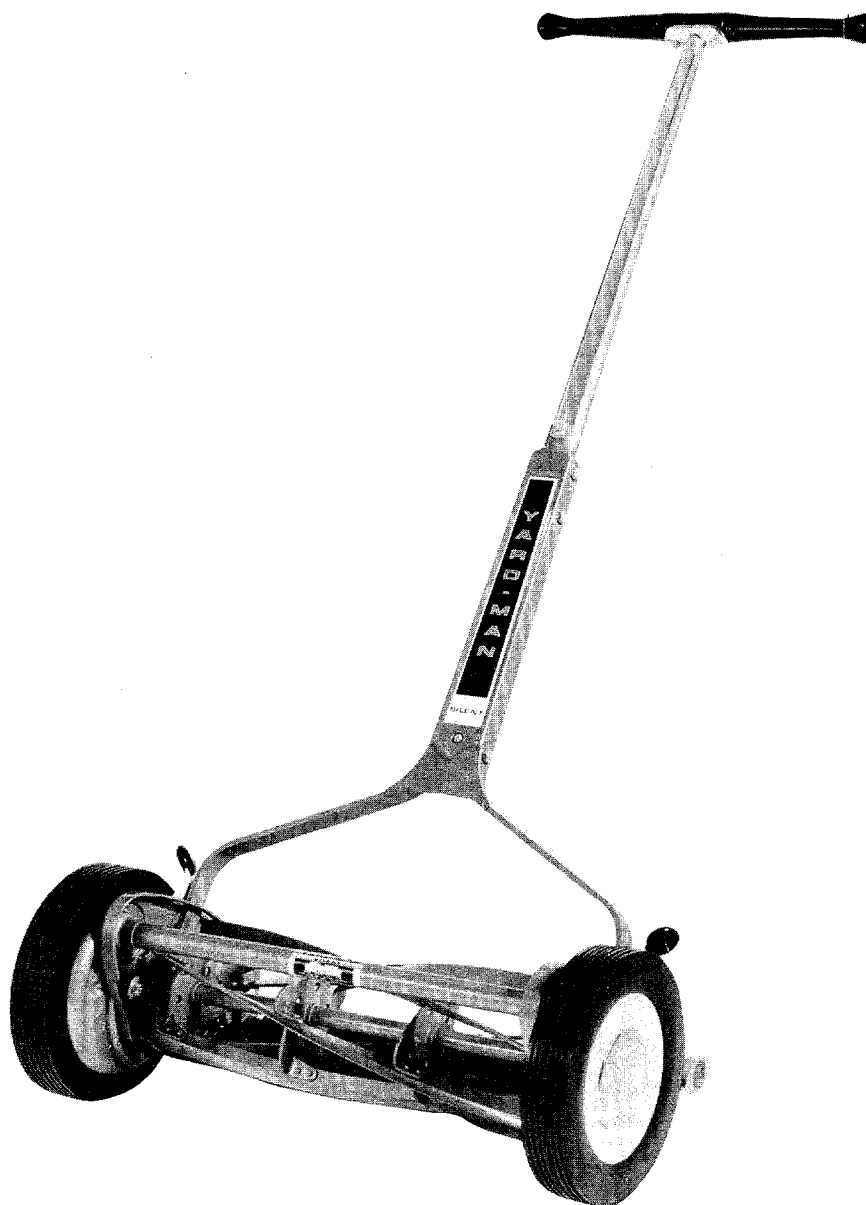


OWNERS

OPERATING MANUAL

and PARTS LIST

**MODEL 1000-6
16 INCH
HAND MOWER**

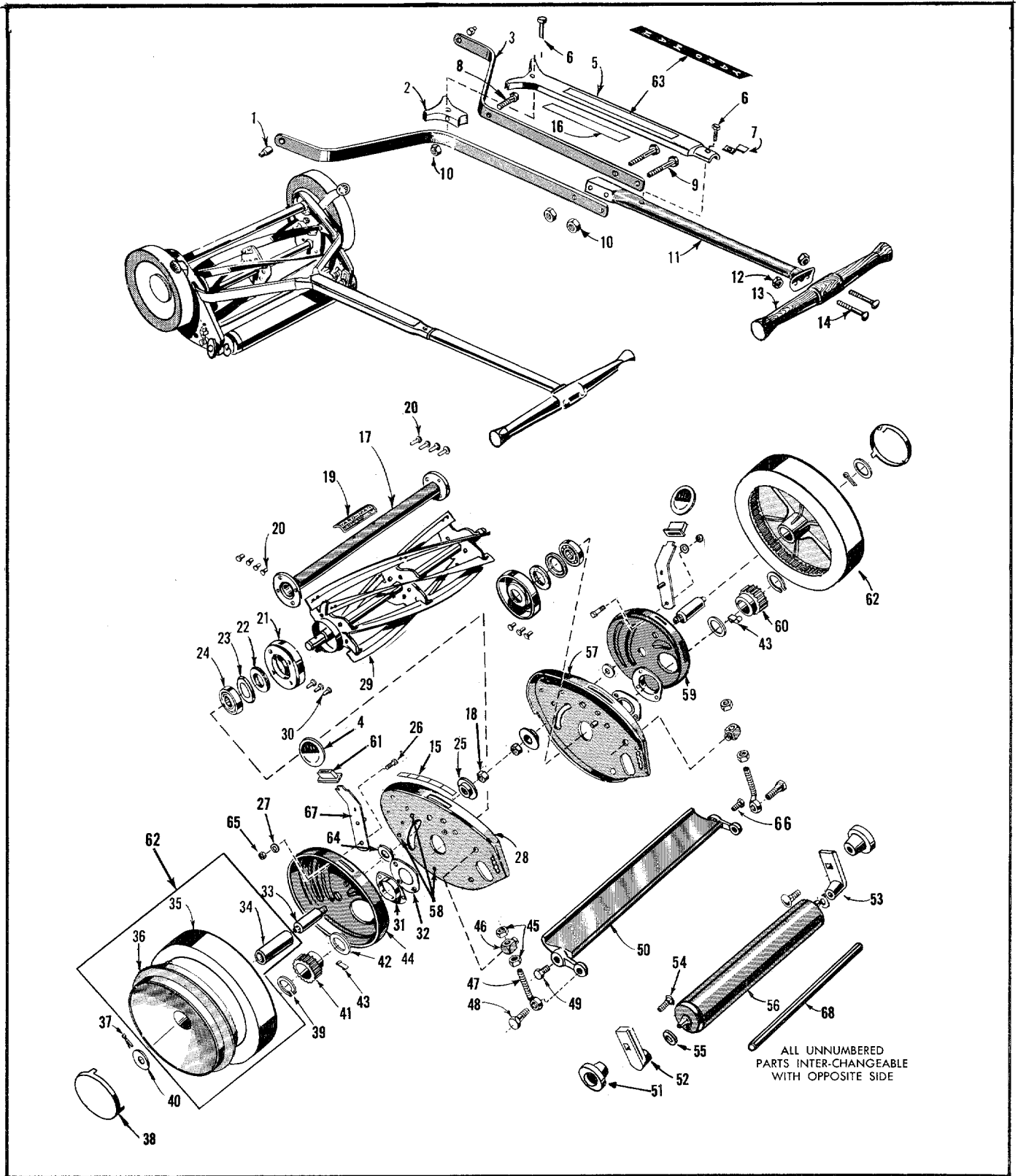


0611-674 (10-70)

PRINTED IN U.S.A.

YARD-MAN

J a c k s o n M i c h i g a n



SERVICE

1. Sharpening is required when the mower will not cut satisfactorily without the reel blades wiping on the cutter bar.
2. Most lawn mower service shops are equipped with Yard-Man factory-built service equipment to give your YARD-MAN the same precision it had when it came from the factory.

MODEL 1000-6 HAND LAWNMOWER

WHEN ORDERING REPAIR PARTS, ALWAYS GIVE THE FOLLOWING INFORMATION

- | | |
|---------------------|----------------------|
| 1. THE PART NUMBER. | 3. THE MODEL NUMBER. |
| 2. THE PART NAME. | 4. THE NAME OF ITEM. |

Your Mower is right hand (R.H.) or left hand (L.H.) as you push.

Do not use Reference Numbers when ordering Repair Parts, always use Part Numbers.

PARTS LIST

REF. NO.	PART NO.	PART NAME	REF. NO.	PART NO.	PART NAME
1	10	Trunnion	35	2619-25	Tire
2	2624-18	Spacer	36	1110-27-41	Drive Wheel Less Tire
3	3603-55	Handle Brace	37	142	*Cotter Pin (1/8 x 5/8)
4	2643-18	Knob—Wheel Adjust	38	2674-33	Hub Cap
5	3622-54-41	Cover Plate	39	1650-21	Retaining Ring
6	1523-3	*Screw (#10 x 3/8 Ph. Hd. Sht. Mtl.)	40	141	*Washer (3/8 x 1 1/4)
7	1689-3	Grass Catcher Clip	41	428	Pinion Gear—L.H.
8	169	*Bolt (5/16-18 x 2 1/2 Sq. Hd.)	42	109	Felt Washer
9	1509-13	*Bolt (5/16-18 x 2 1/4 Hx. Hd.)	43	323	Pawl
10	70	*Nut (5/16-18 Hex)	44	2118-11-55	Gear Housing Ass'y—L.H.
11	2117-15-01	Handle Shaft	45	52	*Nut (3/8-24 Semi-Fin. Hex.)
12	67	*Nut (1/4-20 Hex)	46	11	Trunnion
13	1664-6-40	Cross Handle	47	451	Screw—Cutter Bar Adjust
14	165	*Bolt (1/4-20 x 1 3/4 Carriage)	48	453	Screw—Rear
15	1616-114	Label—Wheel Adjust	49	455	Screw—Pivot—R.H. Thd.
16	2616-215	Label	50	2134-15-55	Cutter Bar
17	1112-28-55	Spacer Tube Ass'y	51	1643-23	Roller Adj. Knob
18	41-028	Nut (5/16-24 Hex. Lock)	52	1609-171-55	Roller Bracket—L.H.
19	1605-533	Name Plate	53	1609-170-55	Roller Bracket—R.H.
20	1530-6	*Rivet (3/16 x 3/8 Rd. Hd.)	54	1529-24	Roller Adjust Bolt
21	1629-28	Retainer	55	757	*Washer (5/16 x 3/4)
22	104	Felt Washer	56	2658-23	Roller
23	106	Felt Retainer	57	1129-232-55	End Plate with Trunnions—R.H.
24	3	Bearing	58	1657-23	Nylon Bushing
25	1657-19	Bushing	59	2118-10-55	Gear Housing Ass'y—R.H.
26	1509-38	Screw (#10-32 x 3/8 Hex. Hd.)	60	425	Pinion Gear—R.H.
27	1540-55	Washer	61	1622-50	Dust Cover
28	1129-233-55	End Plate with Trunnions—L.H.	62	1108-80-41	Drive Wheel Ass'y with Tire
29	2135-16-55	Reel Ass'y	63	2616-145	Label—Handle Cover
30	1530-20	*Rivet (3/16 x 13/32 Rd. Hd.)	64	1540-43	Washer
31	1629-41	Retainer	65	1534-8	Nut (10/32 Gripco)
32	1624-138	Spacer	66	1509-86	Screw—Cutter Bar L.H. Thd.
33	1631-26	Axle	67	1155-14	Spring & Trunnion Ass'y
34	1652-52	Bearing	68	1632-143	Shaft Roller

For Illustration—See Page 2

*Standard Hardware Item—Purchase Locally.

SETTING UP

1. Attach handle brace (1). (Fig. 1)
2. Attach handle brace spacer and handle as shown, tighten nuts (2) securely.
3. Attach cover plate and grass catcher clip with screws (3).
4. If grass catcher is used, attach catcher hooks on inside of frame, under HEAD of roller bracket bolt, as shown in Fig. 1.

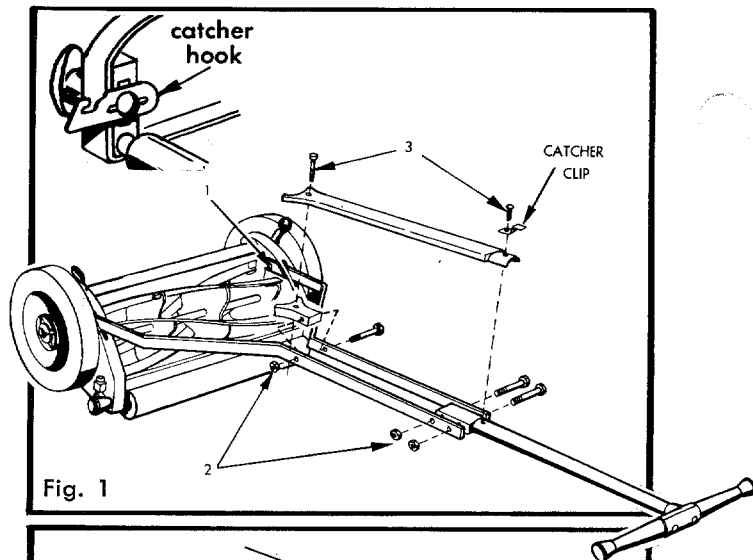


Fig. 1

CUTTING HEIGHT ADJUSTMENT

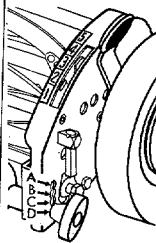
Locate wheel levers and roller knobs in positions shown on chart (attached to back of handle cover plate) for cutting height desired. To make these adjustments with maximum ease, proceed as follows:

TO ADJUST WHEELS

1. Tilt mower back on roller to raise wheels slightly off the ground.
2. Press levers toward outside of mower to "unlock" them from present position, and move to new position. Be sure both levers are in same position and trunnions are firmly seated in holes in chassis end plates.

CUTTING HEIGHT* CONTROL

PLACE WHEEL LEVER AND ROLLER KNOB IN POSITION SHOWN FOR HEIGHT OF CUT DESIRED



CUTTING HEIGHT IN INCHES	LEVER	KNOB
2 1/4	5	C
2	4	D
1 3/4	4	C
1 1/2	3	C
1 1/4	3	B
1	2	B
3/4	2	A
1/2	1	A

* PAT. NO. 3,178,874

TO ADJUST ROLLER

1. Tilt mower forward to raise roller slightly off the ground.
2. Loosen roller knobs 2 full turns and move to new position. Be sure both knobs are in same position and firmly seated in "notch" in chassis end plate, then tighten securely.

TO TIGHTEN CUTTER BAR

1. (Fig. 3) Loosen top nut (5) one quarter turn.
2. Tighten lower nut (6).
3. Bolts (7 and 8) must be tight after adjustment. IMPORTANT—REEL BLADES SHOULD NOT CONTACT CUTTER BAR.

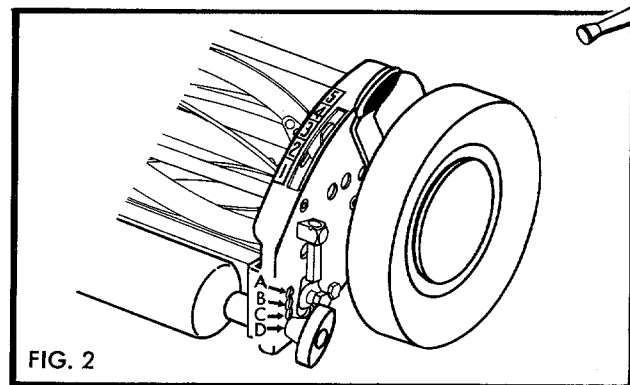


FIG. 2

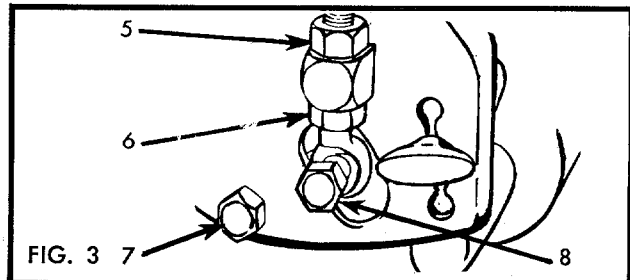


FIG. 3

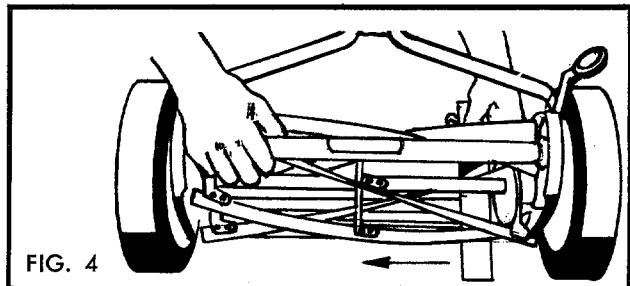


FIG. 4

3. Adjust cutter bar so that reel blades pinch the paper without cutting it.
4. Check cutter bar clearance in this manner at several points moving toward right hand side of mower.

SILENT YARD-MAN PAPER TEST

1. Insert strip of newspaper approx. 2" wide between cutter bar and reel (Fig. 4).
2. Turn reel slowly backward with wheels off ground.

LUBRICATION

1. Seals on all bearings, hold dirt out and grease in. No further lubrication is required until mower is sharpened.
2. Oil Roller Bearing once or twice a year.