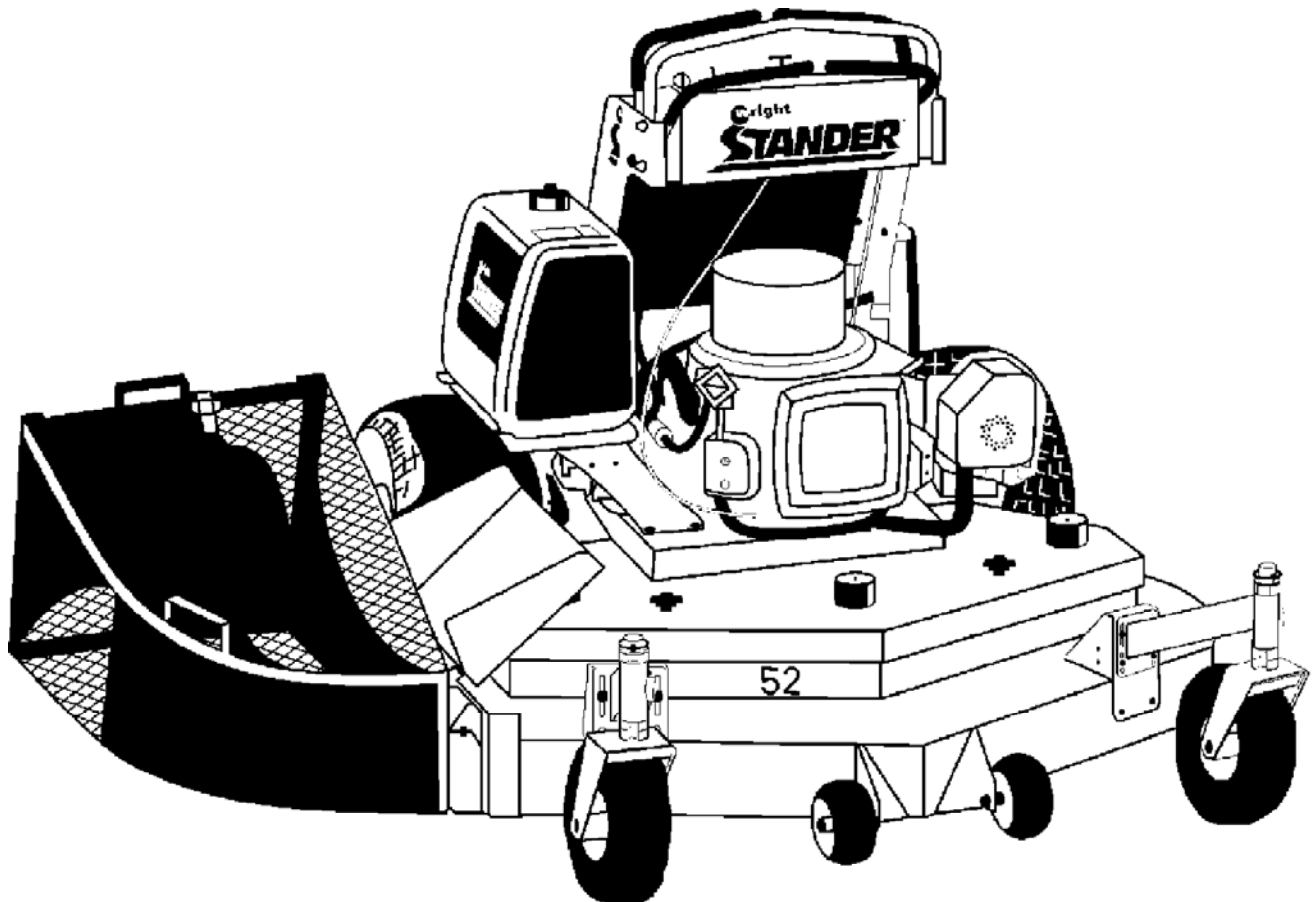


wright **STANDER**TM

Parts List for 48", 52", & 61" Stander



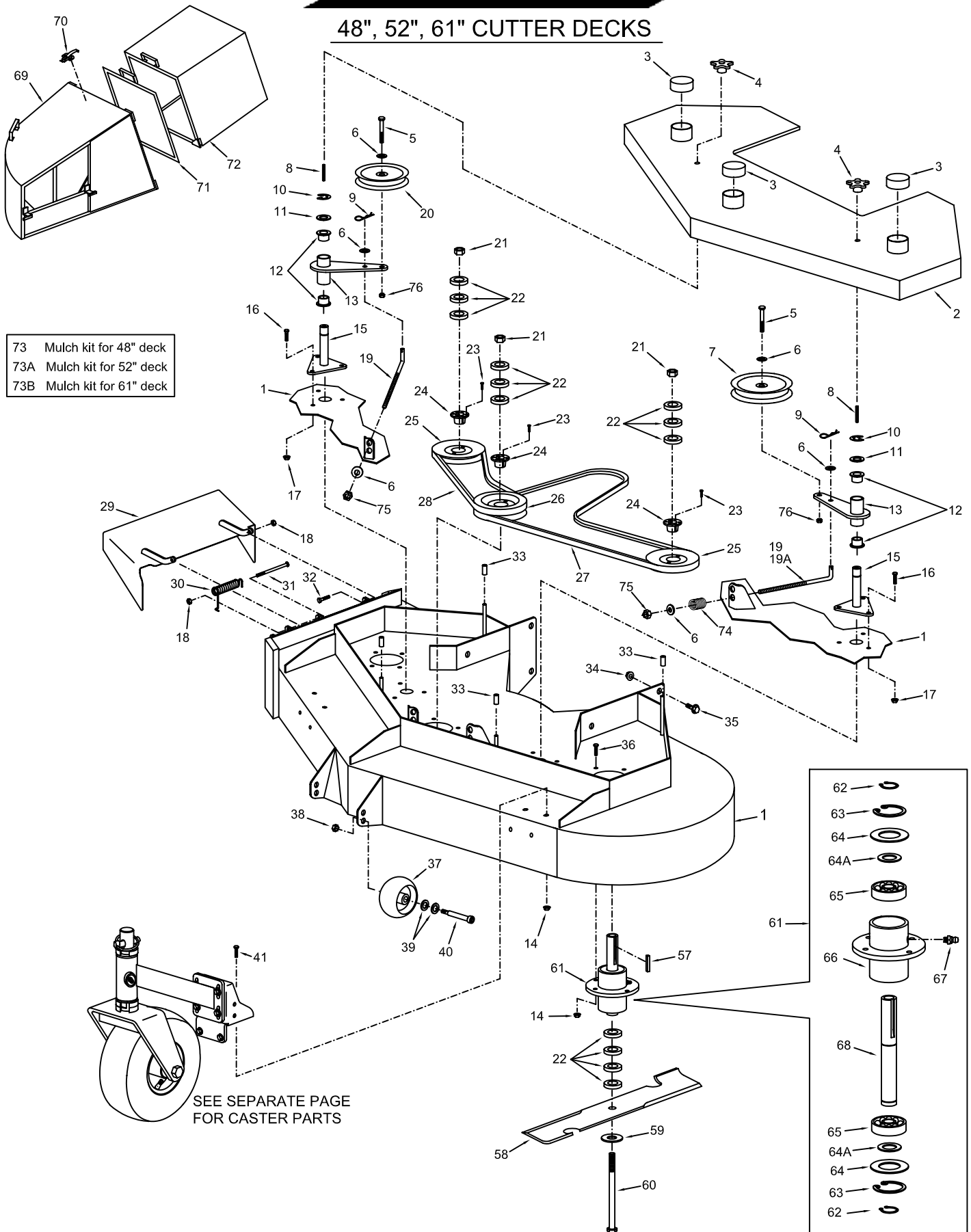


48", 52", 61" CUTTER DECKS

| REF # | PART # | DESCRIPTION | 48 | 52 | 61 | REF # | PART # | DESCRIPTION | 48 | 52 | 61 |
|-------|----------|---------------------------------------|----|----|----|-------|----------|--------------------------------------|----|----|----|
| 1 | 93430001 | CUTTER DECK,48" W/CAPS(33) & DECALS | X | | | 41 | 11990030 | BOLT, FLANGE 3/8-16 X 3/4 Z5 | X | X | X |
| 1 | 93440001 | CUTTER DECK,52" W/CAPS(33) & DECALS | | X | | 57 | 15990003 | MACHINE KEY 1/4X1/4X1 | X | X | X |
| 1 | 93450001 | CUTTER DECK,61" W/CAPS(33) & DECALS | | | X | 58 | 71440002 | BLADE, 16 1/2", FOR 48" DECK | X | | |
| 2 | 93430002 | DECK COVER, 48" | X | | | 58 | 71440001 | BLADE, 18", FOR 52" DECK | | X | |
| 2 | 93440002 | DECK COVER, 52" | | X | | 58 | 71440003 | BLADE, 21", FOR 61" DECK | | | X |
| 2 | 93450002 | DECK COVER, 61" | | | X | 59 | 13990011 | WASHER, FLAT USS 5/8 | X | X | X |
| 3 | 17460001 | CAP, VINYL 2 1/2 X 1 1/2, DECK CVR | X | X | X | 60 | 11990014 | BLADE BOLT, HEX 5/8-11 X 10 Z5 | X | X | X |
| 4 | 18410001 | KNOB, BLACK PLASTIC FOR DECK COVER | X | X | X | 61 | 71460007 | SPINDLE ASSEMBLY | X | X | X |
| 5 | 11990005 | BOLT, HEX 3/8-16 X 2 Z5 | X | X | X | 62 | 71460014 | EXTERNAL RETAINING RING | X | X | X |
| 6 | 13990010 | WASHER, FLAT USS 5/16 Z | X | X | X | 63 | 71460015 | INTERNAL RETAINING RING | X | X | X |
| 7 | 71460009 | PULLEY, IDLER 5 3/4x1-1/16x3/8bore | X | X | X | 64 | 71460016 | WASHER, LARGE | X | X | X |
| 8 | 24460001 | STUD, THREADED, 3/8-24 | X | X | X | 64A | 71460021 | WASHER, SMALL | X | X | X |
| 9 | 15990007 | HITCH PIN CLIP #213 | X | X | X | 65 | 71460017 | BEARING | X | X | X |
| 10 | 15990010 | E-CLIP 7/8 | X | X | X | 66 | 71460018 | SPINDLE HOUSING | X | X | X |
| 11 | 13990017 | MACHINE BUSHING 7/8 ID 1 3/8 OD 14GA | X | X | X | 67 | 71460019 | ZERK FITTING | X | X | X |
| 12 | 14990001 | BUSHING, BRONZE (VELKE# VPVIBUSH) | X | X | X | 68 | 71460020 | SPINDLE SHAFT | X | X | X |
| 13 | 98490002 | IDLER ARM W/BUSHINGS (12) | X | X | X | 69 | WRJ300-3 | STANDER GRASS GOBBLER (INCL 70 & 71) | X | X | X |
| 14 | 12990008 | NUT, LOCK FLANGE 3/8-16 z | X | X | X | 70 | GGL1-1 | GRASS GOBBLER LATCH | X | X | X |
| 15 | 93490001 | IDLER ARM BASE | X | X | X | 71 | GGD4-4 | DOOR | X | X | X |
| 16 | 11990012 | BOLT, FLANGE 5/16x3/4 z5 | X | X | X | 72 | LG1000 | LEAF GOBBLER (4.6 CU. FT) | X | X | X |
| 17 | 12990007 | NUT, LOCK FLANGE 5/16-18 z | X | X | X | 73 | 95430001 | MULCH PLATE KIT, 48" | X | | |
| 18 | 12990021 | NYLON LOCKNUT, 5/16-18 z | X | X | X | 73A | 95440001 | MULCH PLATE KIT, 52" | | X | |
| 19 | 85460014 | IDLER ADJUSTMENT ROD, 3/8 X 7" | X | X | X | 73B | 95450001 | MULCH PLATE KIT, 61" | | | X |
| 19A | 85460030 | IDLER ADJUSTMENT ROD, 3/8 X 8" | | X | X | 74 | 16460005 | SPRING, DECK IDLER | X | X | X |
| 20 | 71460006 | PULLEY, IDLER 4 1/2 x 1 x 3/8 bore | X | X | X | 75 | 12990020 | NYLON LOCKNUT 3/8-16 z | X | X | |
| 21 | 12990003 | NUT, HEX 5/8-11 z FOR BLADES | X | X | X | 76 | 12990031 | NUT, TOPLOCK 3/8-16 | X | X | X |
| 22 | 13990007 | BLADE SPACER 5/8x1 1/2x1/4 | X | X | X | | | | | | |
| 23 | 11990033 | BOLT, HEX 1/4-20 X 7/8 P5 | X | X | X | | | | | | |
| 24 | 71460008 | BUSHING, SPLIT TAPERED 1" | X | X | X | | | | | | |
| 25 | 71460004 | PULLEY, SINGLE GRV 5 3/4OD-A/B | X | X | X | | | | | | |
| 26 | 71460005 | PULLEY, DOUBLE GRV 5 3/4 OD A/B | X | X | X | | | | | | |
| 27 | 71460011 | BELT, ENGINE TO BLADE 48" WS | X | | | | | | | | |
| 27 | 71460003 | BELT, ENGINE TO BLADE 52" WS | | X | | | | | | | |
| 27 | 71460013 | BELT, ENGINE TO BLADE 61" WS | | | X | | | | | | |
| 28 | 71460010 | BELT, BLADE TO BLADE 48" WS | X | | | | | | | | |
| 28 | 71460002 | BELT, BLADE TO BLADE 52" WS | | X | | | | | | | |
| 28 | 71460012 | BELT, BLADE TO BLADE 61" WS | | | X | | | | | | |
| 29 | 93460002 | CHUTE DEFLECTOR, WS | X | X | X | | | | | | |
| 30 | 16460002 | SPRING, TORSION, FOR CHUTE DEFLECTOR | X | X | X | | | | | | |
| 31 | 11990003 | BOLT, HEX 5/16-18 X 4 1/2 Z5 | X | X | X | | | | | | |
| 32 | 11990027 | BOLT, HEX 5/16-18 X 1 Z5 | X | X | X | | | | | | |
| 33 | 17460002 | CAP, VINYL 3/8 x 1 | X | X | X | | | | | | |
| 34 | 12990010 | NUT, LOCK FLANGE 1/2-13 z | X | X | X | | | | | | |
| 35 | 11990015 | BOLT, FLANGE 1/2x1 1/4 z5 | X | X | X | | | | | | |
| 36 | 11990046 | BOLT, FLANGE 3/8x1 z5 | X | X | X | | | | | | |
| 37 | 72490001 | WHL, PLASTIC, 5"x2-3/4" w5/8"bore | | X | X | | | | | | |
| 38 | 12990022 | NUT, NYLON, JAM 1/2-13, SCALP ROLLERS | | X | X | | | | | | |
| 39 | 13990016 | MACH BUSH 5/8 ID 1 OD 14 GA | | X | X | | | | | | |
| 40 | 11990022 | BOLT, SHLDR ALLN 5/8 X 2.75-ROLLERS | | X | X | | | | | | |

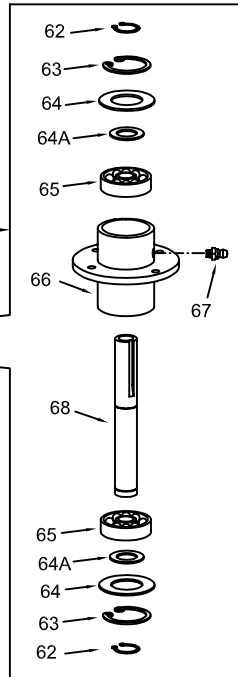
Wright STANDER™

48", 52", 61" CUTTER DECKS



73 Mulch kit for 48" deck
 73A Mulch kit for 52" deck
 73B Mulch kit for 61" deck

SEE SEPARATE PAGE
 FOR CASTER PARTS





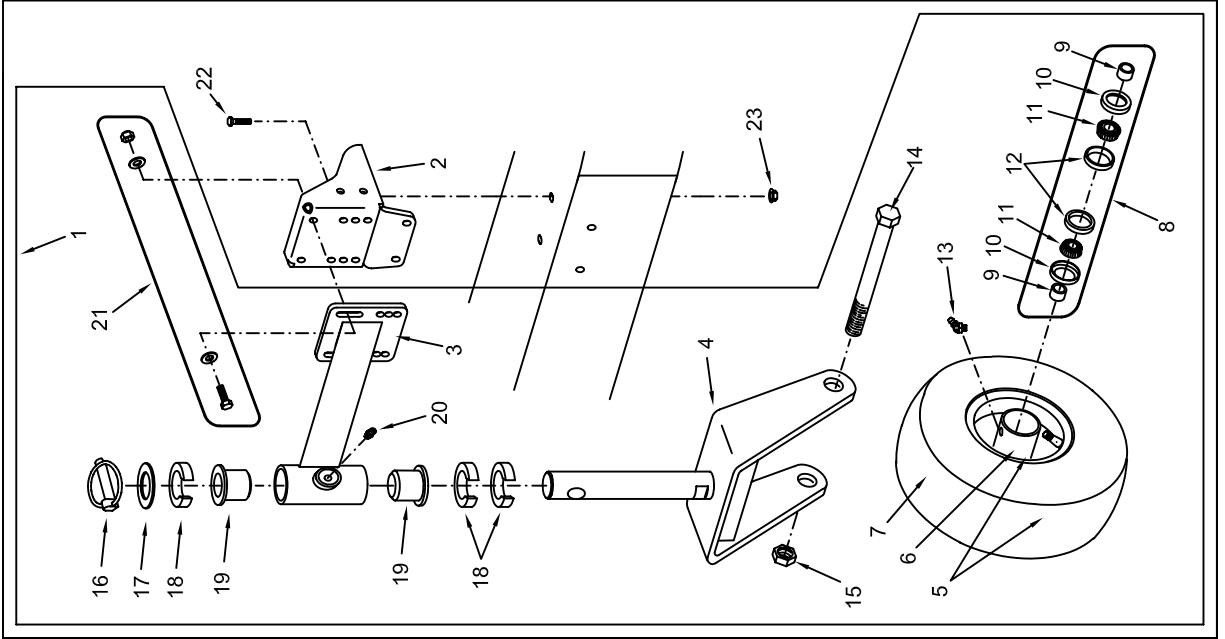
CASTER PARTS

| REF # | PART # | DESCRIPTION | LS | LT | SS | REF # | PART # | DESCRIPTION | LS | LT | SS |
|-------|-----------|--|----|----|----|-------|-----------|--|----|----|----|
| 1 | 98460013 | L-S CASTER KIT W/O BRKT (SET OF 2) | X | | | 26 | 12990023 | NUT, CASTLE 3/4-14 | | | X |
| 1A | 98460005 | L-T CASTER KIT W/O BRKT (SET OF 2) | | X | | 27 | 77460002 | TAPERED BEARING FOR PIVOT | | | X |
| 2 | 93460006 | CASTER ADJUSTMENT BRACKET | X | X | | 28 | 77460003 | BEARING RACE FOR PIVOT | | | X |
| 3 | 98460016 | L-S CASTER ARM (INCL 1-#20 & 2-#19) | X | | | 29 | 77460001 | GREASE SEAL | | | X |
| 3A | 93460005 | L-T CASTER ARM WELDMENT | | X | | 30 | 13990021 | BUSHING, MACHINE 7/8 ID X 1 3/8 OD X 1/4 | | | X |
| 4 | 93460008 | L-S CASTER YOKE | X | | | 31 | 13990008 | BUSHING, MACHINE 7/8 ID X 1 3/8 OD X 1/2 | | | X |
| 4A | 93460004 | L-T CASTER YOKE | | X | | 32 | 14990001 | BUSHING, BRONZE(SAME AS VPIVOTBUSH) | | | X |
| 5 | 72460002 | 11X400-5 WHEEL ASSEMBLY COMPLETE | X | X | | 33 | 98460002 | S-S CASTER ARM (INCL 2 #32 AND 1 #20) | | | X |
| 6 | 77460008 | RIM ONLY | X | X | | 34 | 93460007 | S-S CASTER YOKE | | | X |
| 7 | 77460009 | TIRE ONLY | X | X | | 35 | 12990018 | NUT, NYLOCK JAM 1/2-20 | | | X |
| 8 | 98460019 | BEARING KIT (2 EACH #9, #10, #11, #12) | X | X | | 36 | 11990029 | BOLT, HEX HD 1/2-20 X 5 Z5 | | | X |
| 9 | 77460004 | WHEEL SPACER | X | X | | 37 | 13990019 | BUSHING, MACHINE 3/4 X 1 1/4 X 14GA | | | X |
| 10 | 77460005 | GREASE SEAL | X | X | | 38 | 13990018 | BUSHING, MACHINE 3/4 X 1 1/4 X 10GA | | | X |
| 11 | 77460006 | TAPERED ROLLER BEARING | X | X | | 39 | 72460003 | 9X350-4 PNEUMATIC WHEEL ASSEMBLY | | | X |
| 12 | 77460007 | RACE, FOR BEARING | X | X | | 40 | VKRLBRG | ROLLER BEARING | | | X |
| 13 | VKWHLZERK | ZERK FITTING FOR WHEEL | X | X | X | 41 | VKBRGRTNR | ROLLER BEARING RETAINER | | | X |
| 14 | 11990034 | BOLT, HEX HD 3/4-10 X 6 1/2 Z5 | X | X | | 42 | VKSPNNR | SPANNER | | | X |
| 15 | 12990026 | NUT, NYLOCK JAM 3/4-10 | X | X | | 43 | VKBRGKIT | CASTER BEARING KIT (INCL #40, #41, #42) | | | X |
| 16 | 15990013 | LYNCH PIN | X | | X | | | | | | |
| 17 | 13990023 | MACHINE BUSHING 1 1/4 X 10 GA | X | | | | | | | | |
| 18 | 13990022 | C- SPACER | X | | | | | | | | |
| 19 | 14990003 | BRONZE BUSHING | X | | | | | | | | |
| 20 | 15990006 | ZERK FITTING FOR CASTER ARM | X | | X | | | | | | |
| 21 | 98460018 | CASTER BOLT KIT(8 BOLTS, 8 NUTS, 16 WASH.) | X | X | | | | | | | |
| 22 | 11990030 | BOLT, FLANGE 3/8-16 X 3/4 Z5 | X | X | X | | | | | | |
| 23 | 12990008 | NUT, FLANGELOCK 3/8-16 Z | X | X | X | | | | | | |
| 24 | 17460003 | GREASE CAP | | | X | | | | | | |
| 25 | 15990012 | PIN, COTTER 1/8 X 2 | | | X | | | | | | |



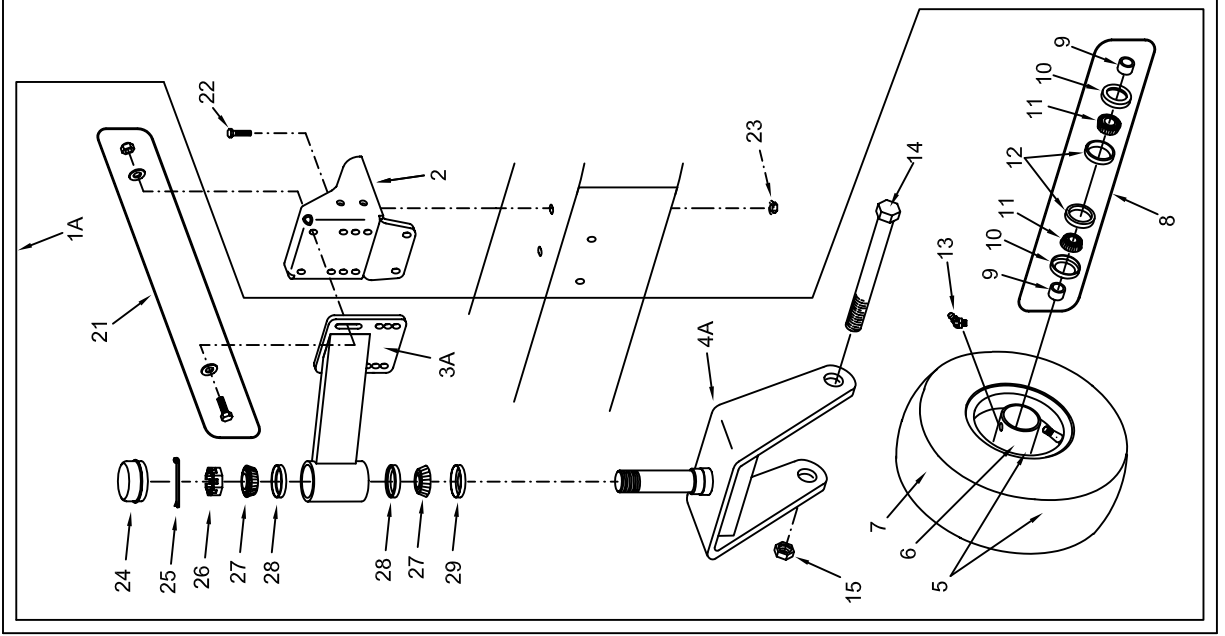
Standard Caster Assembly (LS*)
1999 & Later Models

*Large w/Spacers



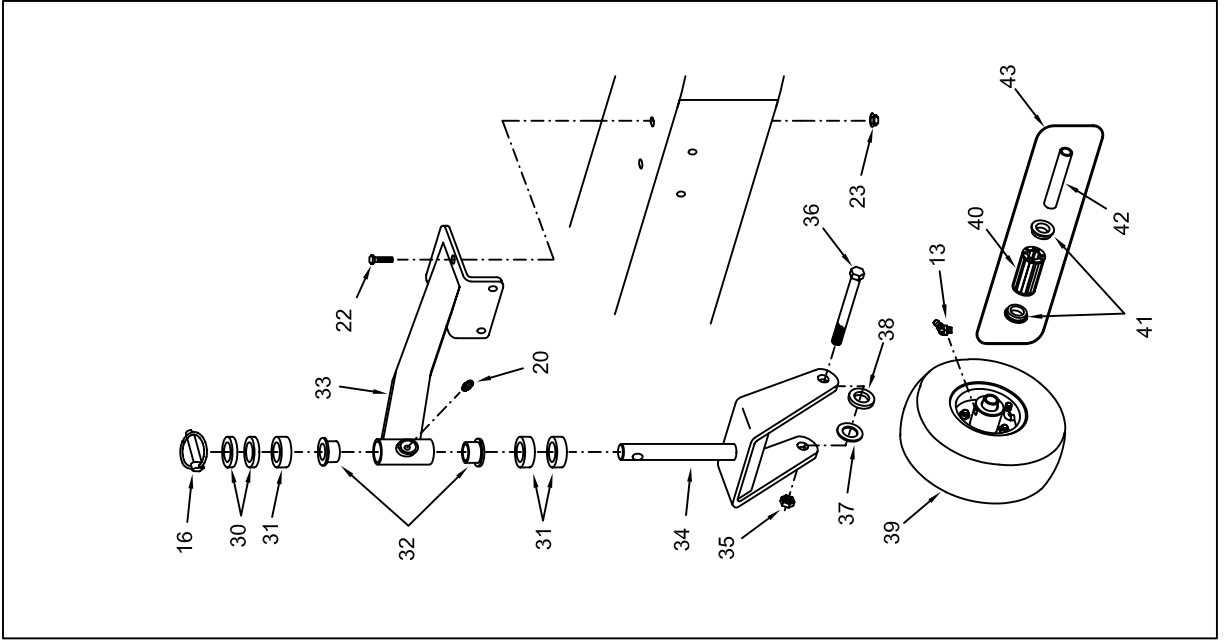
Optional Caster Assembly (LT*)
1999 & Later Models

*Large w/Tapered bearings



1998 Model Stander (SS*)
Caster Assembly

*Small w/Spacers





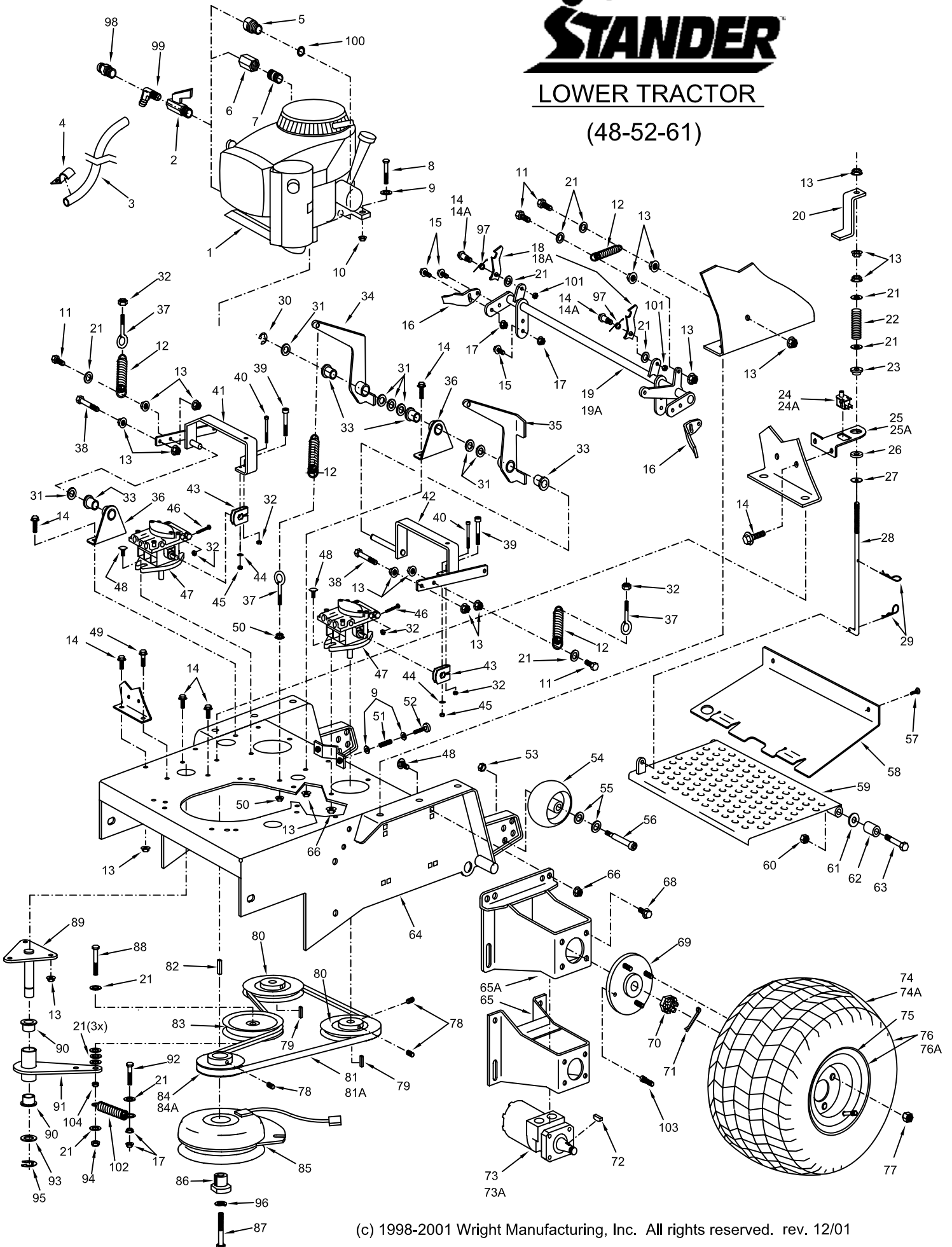
LOWER TRACTOR (48 - 52 - 61)

| REF # | PART # | DESCRIPTION | REF # | PART # | DESCRIPTION |
|-------|--------------|--|---------|----------|---|
| **1 | 51410009 | ENGINE, KAWASAKI 15 HP RECOIL | 51 | 16410001 | SPRING, SMALL COMPRESSION |
| **1 | 51410005 | ENGINE, KAWASAKI 17 HP RECOIL | 52 | 98410027 | NEUTRAL ADJUSTMENT KNOB W/ BOLT |
| **1 | 51410006 | ENGINE, KAWASAKI 17 HP RECOIL/ELEC | 53 | 12990022 | NUT, NYLOCK JAM 1/2-13 |
| **1 | 51410014V | ENGINE, KAWASAKI 19 HP ELECTRIC | 54 | 72490001 | WHEEL, PLASTIC, 5" X 2 3/4" W/ 5/8 BORE |
| **1 | 51410013V | ENGINE, KOHLER COMMAND 23 HP ELECTRIC | 55 | 13990016 | MACHINE BUSHING 5/8 ID 1 OD 14 GA |
| **1 | 51410010V | ENGINE, KAWASAKI 23 HP ELECTRIC | 56 | 11990022 | BOLT, SHOULDER ALLEN 5/8 X 2 3/4 |
| **1 | 51410029V | ENGINE, KAWASAKI 25 HP ELECTRIC | 57 | 11990024 | SCREW, TRUSS HD MACHINE 1/4-20 X 3/4 |
| 2 | 36410003 | OIL DRAIN VALVE, BALL VALVE TYPE | 58 | 93410004 | PULLEY GUARD PLATE |
| 3 | 81410017 | TUBE, OIL DRAIN | 59 | 93410001 | FOOT PLATFORM |
| 4 | 15990002 | CLIP, HALF 5/8" | 60 | 12990018 | NUT, NYLOCK JAM 1/2-20 |
| 5 | 35410018 | OIL DRAIN VALVE ADAPTER (KAW ONLY) 0-ring NOT incl. | 61 | 13990002 | WASHER, FLAT USS 7/16 Z |
| 6 | 35410017 | COUPLING, BRASS, 3/8 NPT (KOHLER ONLY) | 62 | 96410002 | FOOT PLATE JOINT, ZINC PLATED |
| 7 | 35410016 | NIPPLE, BRASS, 3/8 NPT CLOSE (KOHLER ONLY) | 63 | 11990011 | BOLT, HEX 1/2-20 X 2 Z5 |
| 8 | 11990009 | BOLT, HEX 5/16-24 X 1 1/2 Z5 | 64 | 93410009 | TRACTOR FRAME WELDMENT |
| 9 | 13990009 | WASHER, FLAT USS 1/4 Z | 65 | 93410014 | Wheel Motor BRACKET, <u>NOT</u> Interchangable W/65A |
| 10 | 12990011 | NUT, LOCK FLANGE 5/16-24 Z | 65A | 93410018 | Wheel Motor BRACKET, <u>NOT</u> Interchangable W/65 |
| 11 | 11990027 | BOLT, HEX 5/16-18 X 1 Z5 | 66 | 12990009 | NUT, LOCK FLANGE 7/16-14 Z |
| 12 | 16460001 | SPRING, EXTENSION | 68 | 11990046 | BOLT, FLANGE 3/8-16 X 1 Z8 |
| 13 | 12990007 | NUT, LOCK FLANGE 5/16-18 Z | 69 | 72410017 | WHEEL HUB, HEAVY-DUTY CAST (INCLUDES 4 x #103) |
| 14 | 11990012 | BOLT, FLANGE 5/16-18 X 3/4 Z5 | 70 | 12990023 | NUT, CASTLE 3/4-14 |
| 14A | 11990043 | BOLT, SHOULDER ALLEN 3/8 X 3/4 | 71 | 15990012 | PIN, COTTER 1/8" X 2 |
| 15 | 11990030 | BOLT, FLANGE 3/8-16 X 3/4 Z5 | 72 | 15990015 | WOODRUFF KEY 3/16 X 3/4 |
| 16 | 93410007 | BRAKE SHOE | 73 | 32410001 | HYDRO MOTOR (MF16) (INCL #70 & #72) |
| 17 | 12990008 | NUT, LOCK FLANGE 3/8-16 | 73A | 32410002 | HYDRO MOTOR (MF14) (INCL #70 & #72) |
| 18 | 93410008 | BRAKE/TRANS INTERLOCK COG (old-no spring used) | 74 | 72410004 | TURF TIRE ONLY 10" X 20" TURFMATE |
| 18A | 93410033 | BRAKE/TRANS INTERLOCK COG (uses spring) | 74A | 72410011 | TURF TIRE ONLY 10" X 20" TURFMASTER |
| 19 | Discontinued | BRAKE, LATERAL LINK BAR (Type without cog spring) SERIAL NUMBERS AFTER 12624 EQUIPPED WITH 19A REPLACE WITH 19A & 2 EACH 14A, 97, 18A, 21, 101 | 75 | 72410005 | RIM ONLY 10" X 20" (ALL) |
| 19A | 93410017 | BRAKE, LATERAL LINK BAR (Spring cog type) | 76 | 72410002 | TIRE & RIM ASSEMBLY (TURFMATE) |
| 20 | 93410005 | TRIGGER, OPC | 76A | 72410012 | TIRE & RIM ASSEMBLY (TURFMASTER) |
| 21 | 13990010 | WASHER, FLAT USS 5/16 Z | 77 | 72410001 | NUT, LUG 1/2-20 |
| 22 | 16410002 | SPRING, LARGE COMPRESSION | 78 | 71410004 | SETSCREW 5/16-18 X 3/8 |
| 23 | 13990001 | BUSHING, NYLON FLANGE | 79 | 15990004 | MACHINE KEY 5 MM X 5 MM X 25 MM |
| 24 | 52410001 | SWITCH, OPC (GRAY), NORM. CLOSED | 80 | 71410003 | PULLEY 5.45 OD x A GRV x 15MM |
| 24A | 52410002 | SWITCH, OPC (BLACK), NORM. OPEN | *81 | 71460001 | BELT AX-50, FOR HYDRO PUMPS (USED W/ #84) see note* |
| 25 | 93410011 | BRACKET, OPC (WORKS WITH #24) | *81A | 71460033 | BELT AX-51, FOR HYDRO PUMPS (USED W/ #84A) NEW |
| 25A | 93410015 | BRACKET, OPC (WORKS WITH #24A) | 82 | 15990003 | MACHINE KEY 1/4 SQ. x 1 |
| 26 | 13990005 | WASHER, RUBBER 3/8 | 83 | 71460006 | PULLEY, IDLER 4 1/2 x 1 x 3/8 BORE |
| 27 | 13990004 | WASHER, FENDER, 5/16 X 1 Z | 84 | 71410002 | PULLEY 4.5 OD x A GRV x 1" (see note below*) |
| 28 | 85410009 | THREADED ROD FOR OPC (BENT) | *84A | 71410005 | PULLEY 5 1/16" OD x A GRV x 1" NEW (see note below*) |
| 29 | 15990007 | HITCH PIN CLIP | 85 | 71410001 | CLUTCH/BRAKE (YELLOW WIRE SLEEVE) |
| 30 | 15990009 | E-CLIP 1/2 | 86 | 71410007 | SPACER, FOR CLUTCH |
| 31 | 13990015 | MACHINE BUSHING 1/2 ID 7/8 OD 18GA | 87 | 11990010 | BOLT, HEX 7/16-20 X 2 3/4 Z5 |
| 32 | 12990019 | NUT, NYLOCK 1/4-20 | 88 | 11990006 | BOLT, HEX 3/8-16 X 2 1/2 Z5 |
| 33 | 14990002 | BUSHING, BRONZE(SAME AS VELKE HITCH BUSHING) | 89 | 93490001 | IDLER ARM BASE |
| 34 | 98410006 | RIGHT NEUTRAL ADJ LEV. W/ BUSHING (#33) | 90 | 14990001 | BUSHING, BRONZE (SAME AS VELKE PIVOT BUSHING) |
| 35 | 98410007 | LEFT NEUTRAL ADJ LEV. W/ BUSHING (#33) | 91 | 98490002 | IDLER ARM W/ BUSHINGS (2 x #90) |
| 36 | 98410008 | PUMP CONTROL PIVOT BASE W/ BUSHING (#33) | 92 | 11990004 | BOLT, HEX 3/8-16 X 1 1/2 Z5 |
| 37 | 11990008 | BOLT, EYE 1/4-20 Z | 93 | 13990017 | MACHINE BUSHING 7/8 ID 1 3/8 OD 14 GA |
| 38 | 11990002 | BOLT, HEX 5/16-18 X 2 Z5 | 94 | 12990020 | NUT, NYLOCK 3/8-16 |
| 39 | 11990019 | BOLT, ALLEN 1/4-20 X 2 | 95 | 15990010 | E-CLIP 7/8 |
| 40 | 11990018 | BOLT, ALLEN 10-32 X 2 | 96 | 13990014 | WASHER, LOCK 7/16 Z |
| 41 | 93410012 | PUMP CONTROL HOOP, RIGHT | 97 | 16410003 | SPRING, TORSION FOR BRAKE SYSTEM |
| 42 | 93410010 | PUMP CONTROL HOOP, LEFT | 98 | 36410004 | FITTING, MALE BARB, STRT (KOHLER) |
| 43 | 96410001 | PUMP CONTROL CLAMP | 99 | 36410005 | FITTING, MALE BARB, 90 DEG(BRIGGS & KAWASAKI) |
| 44 | 13990003 | WASHER, FLAT SAE #10 | 100 | 35410024 | O-RING, FOR KAWASAKI OIL DRAIN ADAPTER |
| 45 | 12990016 | NUT, NYLOCK 10-32 | 101 | 12990021 | NUT, NYLOCK 5/16-18 |
| 46 | 11990025 | SCREW, ROUND PHLP 1/4-20 X 2 Z | 102 | 16420002 | SPRING, PUMP IDLER, NEW |
| 47 | 31490001 | HYDRO PUMP | 103 | 72410013 | STUD, FOR TAPERED WHEEL HUB |
| 48 | 11990017 | BOLT, CARRIAGE, 7/16 X 1 Z5 | 104 | 12990031 | NUT, TOPLOCK 3/8-16 |
| 49 | 11990013 | BOLT, FLANGE 5/16-18 X 1 Z5 | * 81/84 | NOTE: | Serial # 12000+ have NEW / could be either if before #12000 |
| 50 | 12990006 | NUT, LOCK FLANGE 1/4-20 Z | **1 | NOTE: | All engines include entire exhaust (shipped loose) |

Wright **STANDER**

LOWER TRACTOR

(48-52-61)



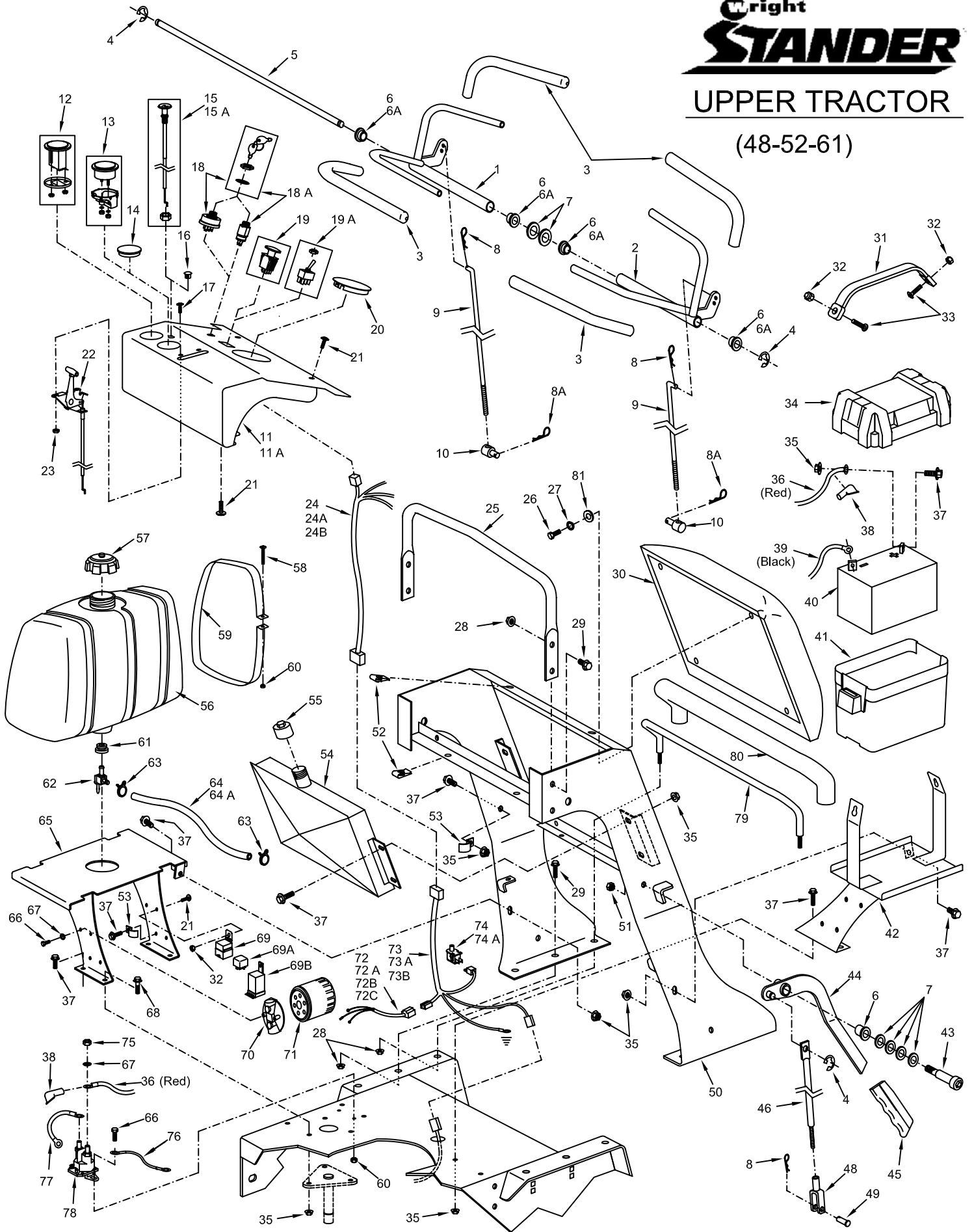


UPPER TRACTOR (48-52-61)

| REF # | PART # | DESCRIPTION | REF # | PART # | DESCRIPTION |
|-------|----------|---|-------|----------|---|
| 1 | 98420006 | RIGHT CNTRL LEV ASSEMBLY (INCL #3 x 2 & #6 x 2) | 43 | 11990021 | BOLT, SHLDR ALLN 1/2 X 1 1/4 |
| 2 | 98420001 | LEFT CNTRL LEV ASSEMBLY (INCL #3 x 2 & #6 x 2) | 44 | 98420003 | PARKING BRAKE HANDLE ASSEMBLY (INCL #6 & #45) |
| 3 | 17420004 | FOAM GRIP | 45 | 17420003 | HANDLE GRIP FOR BRAKE |
| 4 | 15990009 | E-CLIP 1/2 | 46 | 91410003 | ADJ BRAKE PUSH ROD (INCL #47 & #48) |
| 5 | 22420002 | GROOVE PIN 1/2 X 19.9375 Z | 48 | 12990014 | YOKE END 3/8-24 |
| 6 | 14990002 | BUSHING, BRONZE (SAME AS VELKE HITCH BUSHING) | 49 | 21420001 | CLEVIS PIN |
| 6A | 14990004 | BUSHING, BRONZE (1/2" long) or use ref #6 | 50 | 93420003 | UPRIGHT WELDMENT |
| 7 | 13990015 | MACHINE BUSHING 1/2 ID 7/8 OD 18GA | 51 | 12990020 | NUT, NYLOCK 3/8-16 |
| 8 | 15990007 | HITCH PIN CLIP #213 | 52 | 12990012 | NUT, U 1/4-20 |
| 8A | 15990025 | HITCH PIN CLIP #3 | 53 | 15990002 | CLIP, HALF 5/8" |
| 9 | 85410022 | CONTROL ROD X 26" | 54 | 91420002 | HYDRO TANK *See note on Hydraulic Parts page |
| 10 | 18410002 | SWIVEL END, 5/16-18 | 55 | 91420001 | HYDRO TANK CAP |
| 11 | 93420006 | INSTRUMENT PANEL, FOR SWITCH #19 | 56 | 41410005 | FUEL TANK (INCLUDES #61 & #62) |
| 11A | 93420001 | INSTRUMENT PANEL, FOR SWITCH #19A | 57 | 41410002 | FUEL TANK CAP W/ VENT |
| 12 | 54420001 | HOUR METER (INCLUDES RETAINER & HARDWARE) | 58 | 11990025 | SCREW, ROUND PHLP 1/4-20 X 2 Z |
| 13 | 54420002 | AMMETER (INCLUDES RETAINER AND HARDWARE) | 59 | 91410002 | FUEL TANK STRAP |
| 14 | 17420002 | PLUG, PANEL 2", BLACK | 60 | 12990006 | NUT, LOCK FLANGE 1/4-20 Z |
| 15 | 52460002 | CHOKE CABLE, BRIGGS 20 HP & KAW. 17 HP (INCL NUT) | 61 | 41410003 | BUSHING FOR FUEL TANK VALVE |
| 15A | 52460001 | CHOKE CABLE, KOHLER 22 HP (INCL NUT) | 62 | 41410004 | VALVE, BALL 90DEGREE FOR FUEL TANK |
| 16 | 17420005 | PLUG, PANEL 3/8", BLACK | 63 | 43410001 | HOSE CLAMP, 1/4" |
| 17 | 11990023 | SCREW, TRUSS HD MACH 10-32 X 1/2 Z | 64 | 81410012 | FUEL LINE, 9" |
| 18 | 20420002 | IGN. SWITCH, ELEC START (INCL KEY AND HARDWARE) | 64A | 81410044 | FUEL LINE, 34" (KOHLER ENGINE) |
| 18A | 20420001 | IGN. SWITCH, RECOIL (INCL KEY AND HARDWARE) | 65 | 93410006 | FUEL TANK STAND |
| 19 | 52420003 | CLUTCH SWITCH, RED PUSH-PULL (INCL RETAINER) | 66 | 11990001 | BOLT, HEX 1/4-20 X 3/4 Z5 |
| 19A | 52420001 | CLUTCH SWITCH, SILVER TOGGLE (INCL NUT) | 68 | 11990013 | BOLT, FLANGE 5/16-18 X 1 Z5 |
| 20 | 17420001 | PLUG, PANEL 3", BLACK | 69 | 53490013 | RELAY, FOR HARNESS #73 (ELECTRIC) |
| 21 | 11990024 | SCREW, TRUSS HD MACHINE 1/4-20 X 3/4 Z | 69A | 53490019 | RELAY, FOR HARNESS #73B (RECOIL) |
| 22 | 52420002 | THROTTLE CABLE | 69B | 53490020 | CASE, FOR RELAY #69A |
| 23 | 12990015 | NUT, KEP 10-32 | 70 | 34490001 | HYDRO OIL FILTER HOUSING BLOCK |
| 24 | 53490004 | WIRE HARNESS, DASH PANEL, ELECTRIC START | 71 | 34490002 | HYDRO OIL FILTER 25 MICRON |
| 24A | 53490002 | WIRE HARNESS, DASH PANEL, RECOIL FOR SWITCH #19A | 72 | 53490006 | WIRE HARNESS, ENGINE (BRIGGS 20 HP) |
| 24B | 53490015 | WIRE HARNESS, DASH PANEL, RECOIL FOR SWITCH #19 | 72A | 53490001 | WIRE HARNESS, ENGINE (BRIGGS 16-18 HP) |
| 25 | 93420007 | STATIONARY HANDLEBAR | 72B | 53490014 | WIRE HARNESS, ENGINE (KAW 15 HP & 17 HP REC) |
| 26 | 11990027 | BOLT, HEX 5/16-18 X 1 Z5 | 72C | 53490017 | WIRE HARNESS, ENGINE (KAW 17 HP R/E & 19/23 HP) |
| 27 | 13990004 | WASHER, LOCK 5/16 Z | 73 | 53490005 | WIRE HARNESS, MAIN (ELECTRIC START) |
| 28 | 12990008 | NUT, LOCK FLANGE 3/8-16 | 73A | 53490003 | WIRE HARNESS, MAIN (RECOIL, NO RELAY) |
| 29 | 11990030 | BOLT, FLANGE 3/8-16 X 3/4 Z5 | 73B | 53490016 | WIRE HARNESS, MAIN (RECOIL, W/ RELAY) |
| 30 | 98420002 | CUSHION | 74 | 52410002 | SWITCH, OPC, ELEC START (BLACK) NORM. OPEN |
| 31 | 98410025 | BATTERY STRAP (INCL #32 x 2 & #33 x 2) | 74A | 52410001 | SWITCH, OPC, RECOIL (GRAY) NORM. CLOSED |
| 32 | 12990019 | NUT, NYLOCK 1/4-20 | 75 | 12990042 | NUT, HEX, 1/4-20 Z |
| 33 | 11990031 | SCREW, ROUND PHLP 1/4-20 X 1 1/4 Z | 76 | 53490007 | SOLENOID GROUNDING WIRE |
| 34 | 56410002 | BATTERY CASE COVER AND BASE | 77 | 53490012 | CABLE, RED, 3 1/2" |
| 35 | 12990007 | NUT, LOCK FLANGE 5/16-18 Z | 78 | 53490009 | SOLENOID |
| 36 | 53490010 | BATTERY CABLE, RED, 38" (INCL #38 x 2) | 79 | 98420013 | PUMP GUARD BAR (INCL. #80) |
| 37 | 11990012 | BOLT, FLANGE 5/16 -18 X 3/4 Z5 | 80 | 17420006 | FOAM FOR PUMP GUARD BAR |
| 38 | 56410006 | LUG INSULATOR, RED | 81 | 13990010 | WASHER, FLAT 5/16 Z |
| 39 | 53490011 | BATTERY CABLE, BLACK, 18 1/2" | | | |
| 40 | 56410001 | BATTERY, 12V, MAINT. FREE | | | |
| 41 | 56410002 | BATTERY CASE COVER AND BASE | | | |
| 42 | 93410016 | BATTERY STAND | | | |

Wright
STANDER
 UPPER TRACTOR

(48-52-61)





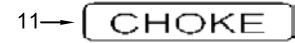
HYDRAULIC PARTS (48-52-61)

| REF # | PART # | DESCRIPTION |
|-------|----------|---|
| 1 | 91420001 | HYDRO TANK CAP |
| 2 | 91420002 | HYDRO TANK <10" tall> (if replacing an older 14" tall tank, you will need 2 of ref. #5 or 5A) |
| 3 | 35410011 | BRASS TEE, FEMALE 3/8 |
| 4 | 35410013 | BARBTITE, MALE 3/8 X 3/8 |
| 5 | 81420001 | HOSE, GENERAL PURPOSE 3/8 X 13" |
| 5A | 98420008 | HOSE ASSEMBLY, 12 1/2" (INCL #4, #5 & #6) |
| 5B | 98410009 | HOSE ASSEMBLY (INCL #5x2, #13, #11 & #6x3) |
| 6 | 35410012 | BARBTITE, FEMALE 3/8 X 3/8 |
| 7 | 35410007 | ELBOW, STRT ORING, 3/8 X 3/8 (INCL #8) |
| 8 | 35410019 | O-RING (15/32 x 5/8 x 5/64) |
| 9 | 34490001 | HYDRO OIL FILTER HOUSING |
| 10 | 34490002 | HYDRO OIL FILTER (25 MICRON) |
| 11 | 35410001 | TEE, NYLON MALE 3/8 |
| 12 | 35410015 | PLUG, STEEL 3/8 |

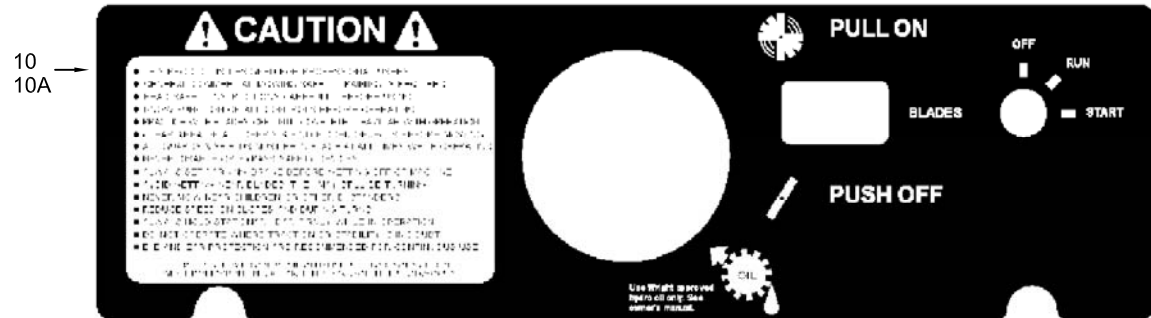
| REF # | PART # | DESCRIPTION |
|-------|----------|---|
| 13 | 81410005 | HOSE , GENERAL PURPOSE, 3/8 X 3" |
| 14 | 35410006 | ELBOW, STRT ORING, 3/8 X 1/4 (INCL #15) |
| 15 | 35410020 | O-RING (3/8 x 1/2 x 1/16) |
| 16 | 35410010 | ELBOW, 3/8 STREET |
| 17 | 35410021 | O-RING (5/8 x 13/16 x 3/32) |
| 18 | 31490001 | HYDRO PUMP |
| | 33410010 | HYDRO HIGH PRESSURE HOSE ASSM (18 1/2") |
| *19A | 33410011 | HYDRO HIGH PRESSURE HOSE ASSM (15 1/2") |
| * | NOTE: | New style hose screws directly into pump and does not require fittings used on old models |
| 20 | 35410005 | ELBOW, SWIVEL JIC 1/2 |
| 21 | 35410008 | ELBOW, STRT ORING, 1/2 X 5/8 (INCL #22) |
| 22 | 35410022 | O-RING (3/4 x 15/16 x 3/32) |
| 23 | 32410001 | HYDRO MOTOR (MF16) |
| 23A | 32410002 | HYDRO MOTOR (MF14) <Faster than MF16> |

DECALS & PAINTS

| REF # | PART # | DESCRIPTION |
|----------|----------|---|
| 1 | 76410001 | DECAL, ALL PRODUCT LOGOS |
| 2 | 76460001 | DECAL, DANGER/ ROTATING BLADE HAZARD |
| 3 | 76490001 | DECAL, SHIELD MISSING |
| 4 | 76490003 | DECAL, WRIGHT STANDER SIDES(MINI LOGO) |
| 5 | 76490004 | DECAL, STANDER DASH FRONT |
| 6 | 76490005 | DECAL, THROTTLE CONTROL |
| 7 | 76490008 | DECAL, 48, FOR DECK SIZE |
| 8 | 76490007 | DECAL, 52, FOR DECK SIZE |
| 9 | 76490012 | DECAL, 61, FOR DECK SIZE |
| 10 | 76490013 | DECAL, INST. PANEL (FOR RED SWITCH) |
| 10A | 76490006 | DECAL, INST. PANEL (FOR TOGGLE SWITCH) |
| 11 | 76490017 | DECAL, CHOKE (KAW. 12.5 & 15) |
| 12 | 76490018 | DECAL, SPEED SENSITIVITY ADJUSTMENT |
| 93990003 | 93990003 | STANDER PAINT, AEROSOL CAN 12 OZ. |
| ???????? | ???????? | INQUIRE ABOUT NON-AEROSOL GALLONS OR QUARTS |

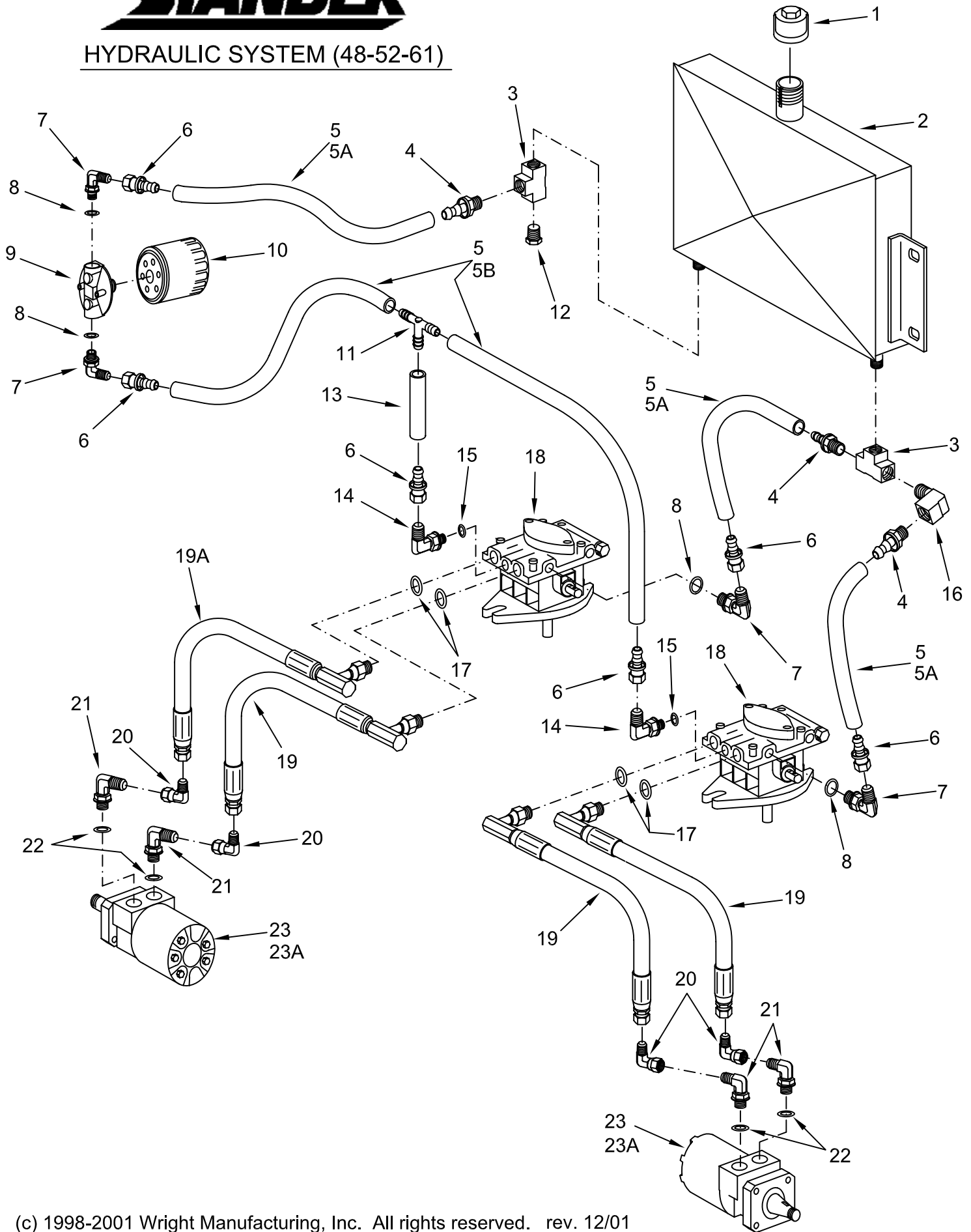


48
52
61





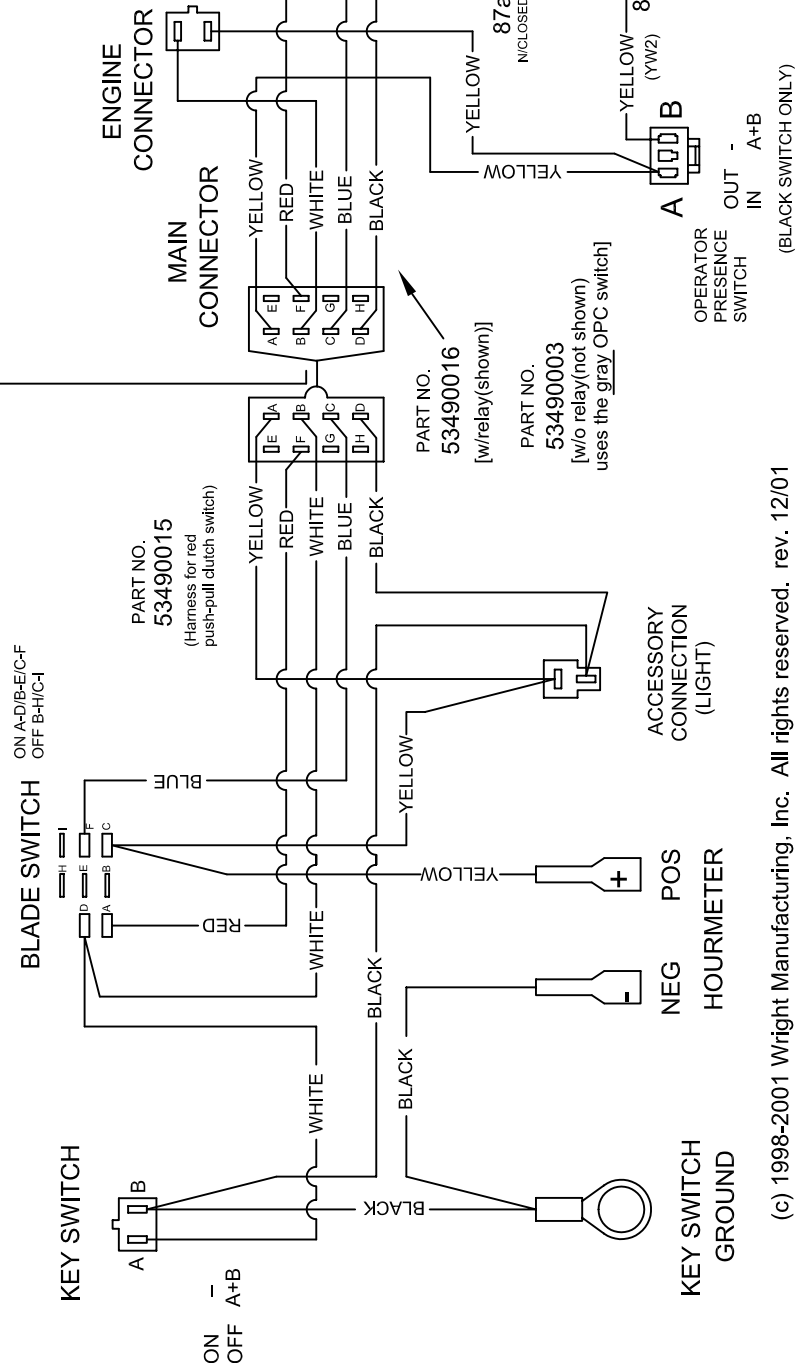
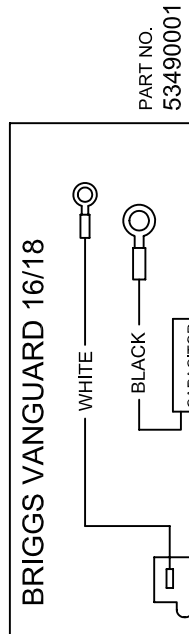
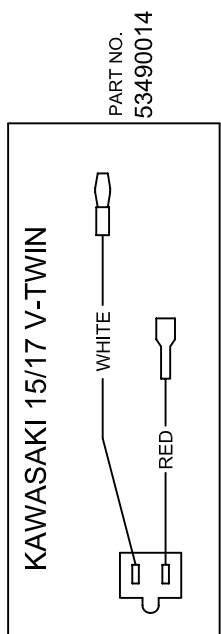
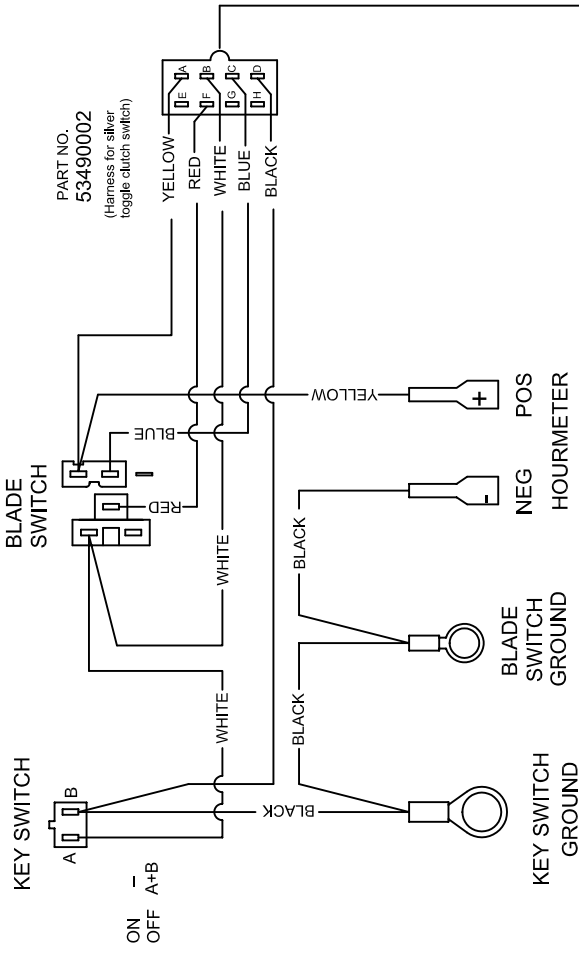
HYDRAULIC SYSTEM (48-52-61)



Wright STANDER™

RECOIL START WIRE HARNESES

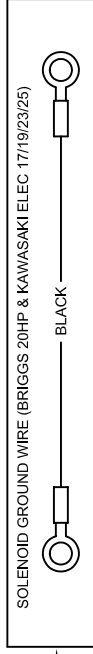
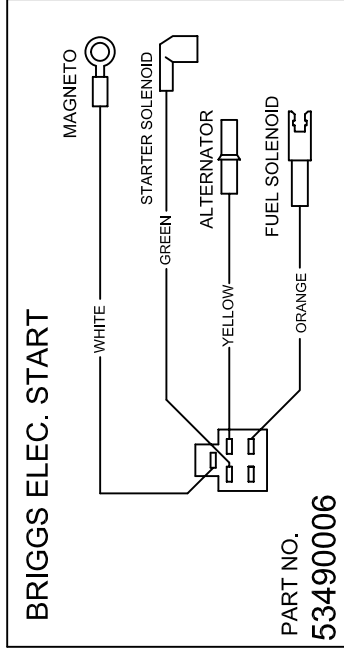
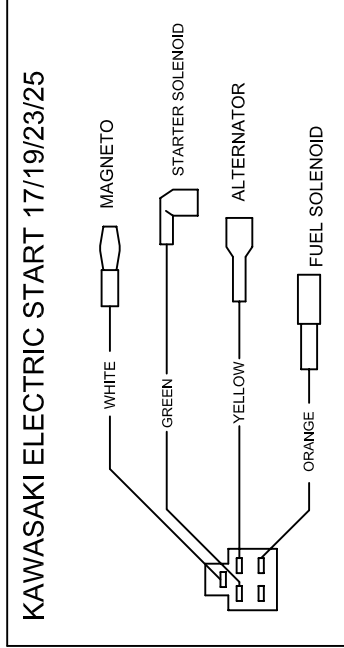
NOTE: SHOWING WIRE SIDE OF CONNECTORS





ELECTRIC START WIRE HARNESSES

NOTE: SHOWING WIRE SIDE OF CONNECTORS



PART NO. **53490017**

PART NO. **53490004**

PART NO. **53490005**

